



US00D883393S

(12) **United States Design Patent**
Bernard et al.

(10) **Patent No.:** **US D883,393 S**

(45) **Date of Patent:** **** May 5, 2020**

- (54) **GAMING MACHINE CAROUSEL DISPLAY**
- (71) Applicant: **BALLY GAMING, INC.**, Las Vegas, NV (US)
- (72) Inventors: **Vernon Bernard**, Las Vegas, NV (US);
Karl Wudtke, Las Vegas, NV (US)
- (73) Assignee: **SG Gaming, Inc.**, Las Vegas, NV (US)

- 4,861,037 A 8/1989 Oursler
- 4,960,117 A 10/1990 Moncrief et al.
- 4,981,298 A 1/1991 Lawlor et al.
- D315,110 S 3/1991 Slater
- 5,015,189 A 5/1991 Wenzinger
- D318,660 S 7/1991 Weber

(Continued)

(**) Term: **15 Years**

(21) Appl. No.: **29/600,739**

(22) Filed: **Apr. 14, 2017**

(51) **LOC (12) Cl.** **21-01**

(52) **U.S. Cl.**
USPC **D21/385**

(58) **Field of Classification Search**
 USPC D21/324, 325, 329, 330, 331, 332, 333,
 D21/385; D14/496, 125, 126, 127, 128,
 D14/129, 133, 217, 239; D26/118, 119,
 D26/120, 121, 122
 CPC G06F 1/1601; G06F 1/1603; G06F 1/1605;
 G06F 1/1647; G06F 1/1652
 See application file for complete search history.

FOREIGN PATENT DOCUMENTS

- EP 649 671 A1 4/1995
- JP 03210172 B2 9/2001

(Continued)

OTHER PUBLICATIONS

Product Sheet for "American Eagle," Eagle Co. Ltd., 1997 (2 pages).

(Continued)

Primary Examiner — George D. Kirschbaum
Assistant Examiner — Joseph J Kukella
 (74) *Attorney, Agent, or Firm* — Banner & Witcoff, Ltd.

(57) **CLAIM**

The ornamental design for a gaming machine carousel display, as shown and described.

DESCRIPTION

FIG. 1 is a front perspective view of a gaming machine carousel display showing our new design;
 FIG. 2 is a front view thereof;
 FIG. 3 is a rear view thereof;
 FIG. 4 is a right side view thereof;
 FIG. 5 is a left side view thereof;
 FIG. 6 is a top view thereof; and,
 FIG. 7 is a bottom view thereof.

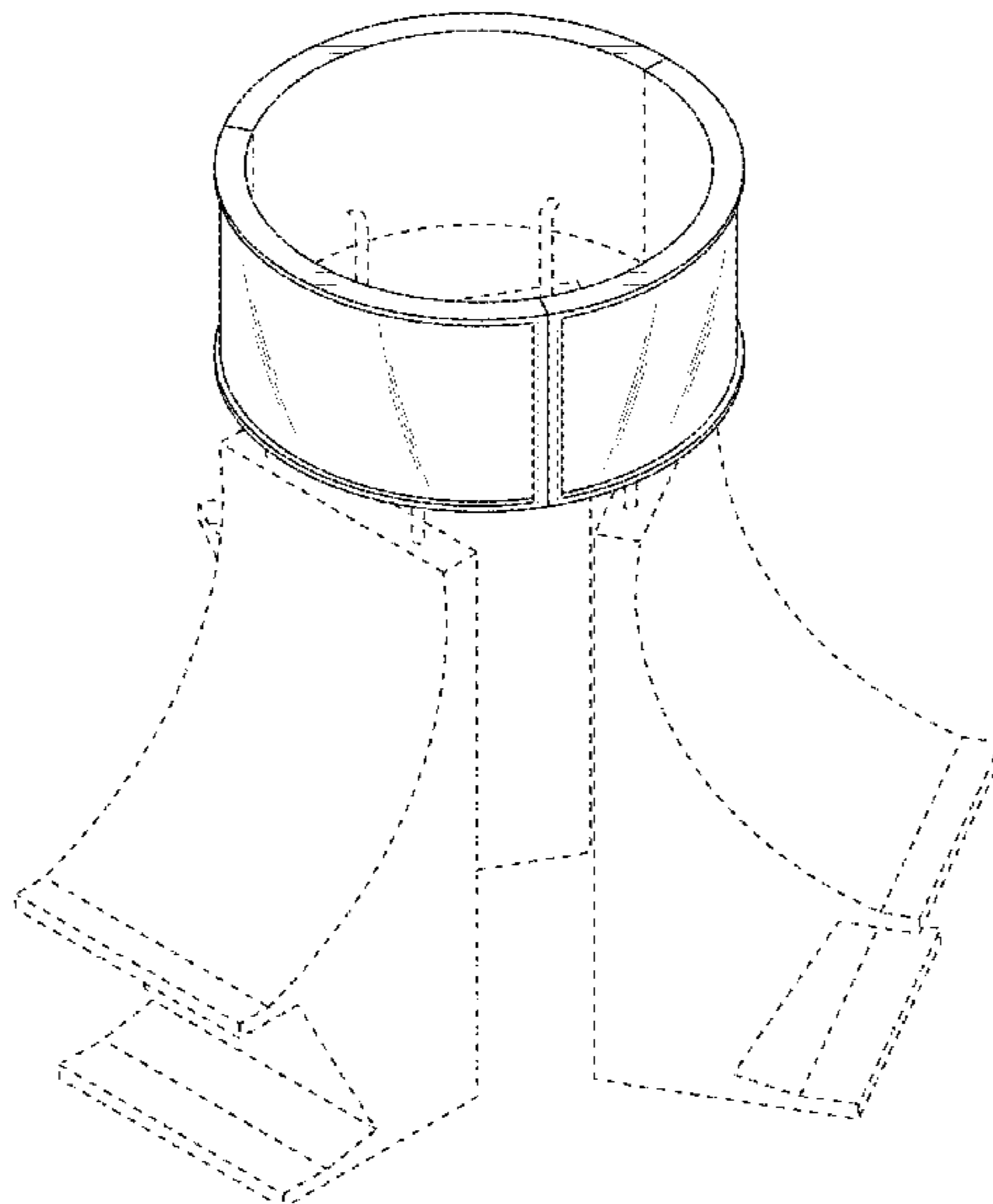
The broken line showing of the remainder of the gaming machine represents unclaimed subject matter and forms no part of the claimed design.

1 Claim, 7 Drawing Sheets

(56) **References Cited**

U.S. PATENT DOCUMENTS

- 2,661,954 A 12/1953 Koci
- D236,720 S 9/1975 Baker
- D238,379 S 1/1976 Miller
- 4,046,419 A 9/1977 Schmitt
- D264,485 S 5/1982 Kitchen
- 4,372,557 A 2/1983 Del Principe et al.
- 4,373,725 A 2/1983 Ritchie
- D275,772 S 10/1984 Akopian et al.
- D280,835 S 10/1985 Berge et al.
- D280,836 S 10/1985 Ludzia et al.
- 4,606,545 A 8/1986 Ritchie
- 4,705,274 A 11/1987 Lubeck
- 4,840,343 A 6/1989 Gasser



(56)

References Cited

U.S. PATENT DOCUMENTS

- | | | | | | |
|-------------|---------|-------------------|--------------|---------|---------------------|
| 5,074,558 A | 12/1991 | Bleich et al. | D417,145 S | 11/1999 | McLaughlin |
| 5,083,738 A | 1/1992 | Infanti | 5,984,782 A | 11/1999 | Inoue |
| 5,091,677 A | 2/1992 | Bleich et al. | 6,000,697 A | 12/1999 | Popadiuk et al. |
| 5,102,192 A | 4/1992 | Barile, Sr. | D419,201 S | 1/2000 | de Haas |
| 5,110,120 A | 5/1992 | Smolucha | D419,606 S | 1/2000 | Toriyama |
| 5,114,112 A | 5/1992 | Infanti | 6,036,188 A | 3/2000 | Gomez et al. |
| 5,120,058 A | 6/1992 | Trudeau et al. | 6,047,962 A | 4/2000 | Popadiuk |
| 5,123,647 A | 6/1992 | Lawlor et al. | 6,047,963 A | 4/2000 | Pierce |
| 5,143,055 A | 9/1992 | Eakin | D424,122 S | 5/2000 | Dickenson et al. |
| 5,149,094 A | 9/1992 | Tastad | 6,071,190 A | 6/2000 | Weiss et al. |
| D333,164 S | 2/1993 | Kraft et al. | D428,062 S | 7/2000 | Hayashi |
| 5,193,807 A | 3/1993 | Schilling et al. | 6,089,663 A | 7/2000 | Hill |
| 5,195,746 A | 3/1993 | Boyd et al. | 6,102,394 A | 8/2000 | Wurz et al. |
| D335,150 S | 4/1993 | Biagi et al. | 6,113,097 A | 9/2000 | Krutsch et al. |
| 5,226,653 A | 7/1993 | Bil et al. | 6,117,010 A | 9/2000 | Canterbury et al. |
| 5,232,191 A | 8/1993 | Infanti | 6,120,021 A | 9/2000 | Piotrowski et al. |
| 5,290,034 A | 3/1994 | Hineman | 6,129,353 A | 10/2000 | DeMar et al. |
| 5,297,793 A | 3/1994 | DeMar et al. | 6,129,355 A | 10/2000 | Hahn et al. |
| 5,316,303 A | 5/1994 | Trudeau et al. | 6,135,449 A | 10/2000 | Cornell et al. |
| 5,322,283 A | 6/1994 | Ritchie et al. | 6,135,562 A | 10/2000 | Infanti |
| 5,326,104 A | 7/1994 | Pease et al. | 6,149,153 A | 11/2000 | Sheats, Jr. |
| 5,350,174 A | 9/1994 | Ritchie et al. | 6,155,565 A | 12/2000 | Gomez et al. |
| D351,869 S | 10/1994 | Rothschild et al. | 6,155,925 A | 12/2000 | Giobbi et al. |
| 5,351,954 A | 10/1994 | Oursler et al. | 6,158,737 A | 12/2000 | Cornell et al. |
| 5,357,104 A | 10/1994 | Bleich | 6,159,098 A | 12/2000 | Slomiany et al. |
| 5,358,241 A | 10/1994 | Anghelo et al. | 6,164,644 A | 12/2000 | Cornell et al. |
| 5,358,242 A | 10/1994 | Trudeau et al. | 6,173,955 B1 | 1/2001 | Perrie et al. |
| 5,358,243 A | 10/1994 | Eddy et al. | 6,199,861 B1 | 3/2001 | Hume et al. |
| D352,738 S | 11/1994 | Anghelo et al. | D439,931 S | 4/2001 | Yamaguchi |
| 5,383,663 A | 1/1995 | Anghelo et al. | 6,210,279 B1 | 4/2001 | Dickinson |
| 5,405,144 A | 4/1995 | Ritchie et al. | 6,224,482 B1 | 5/2001 | Bennett |
| 5,409,296 A | 4/1995 | Barile | 6,227,614 B1 | 5/2001 | Rubin |
| 5,411,257 A | 5/1995 | Fulton | 6,227,970 B1 | 5/2001 | Shimizu et al. |
| 5,415,402 A | 5/1995 | Morrison et al. | D443,313 S | 6/2001 | Brettschneider |
| 5,415,403 A | 5/1995 | Ritchie et al. | D446,252 S | 8/2001 | Yamaguchi |
| 5,417,423 A | 5/1995 | Oursler et al. | 6,283,546 B1 | 9/2001 | Hill |
| 5,417,425 A | 5/1995 | Blumberg et al. | 6,290,229 B1 | 9/2001 | Perez |
| 5,437,453 A | 8/1995 | Hineman | D450,094 S | 11/2001 | Hedrick et al. |
| 5,465,963 A | 11/1995 | Patla, Sr. | 6,334,612 B1 | 1/2002 | Wurz et al. |
| 5,472,197 A | 12/1995 | Gwiasda et al. | 6,354,660 B1 | 3/2002 | Friedrich |
| 5,494,286 A | 2/1996 | DeMar et al. | D459,402 S | 6/2002 | Wurz et al. |
| 5,507,488 A | 4/1996 | Eddy et al. | 6,422,670 B1 | 7/2002 | Hedrick et al. |
| 5,511,783 A | 4/1996 | Popadiuk et al. | 6,422,941 B1 | 7/2002 | Thorner et al. |
| 5,516,103 A | 5/1996 | Lawlor et al. | 6,439,993 B1 | 8/2002 | O'Halloran |
| 5,522,641 A | 6/1996 | Infanti | D463,504 S | 9/2002 | Stephan |
| 5,524,887 A | 6/1996 | Trudeau et al. | D464,377 S | 10/2002 | Wurz et al. |
| 5,533,726 A | 7/1996 | Nordman et al. | D465,813 S | 11/2002 | Randall |
| 5,542,748 A | 8/1996 | Barile | D466,160 S | 11/2002 | Hirato et al. |
| D376,391 S | 12/1996 | Okumura | D467,977 S | 12/2002 | Gatto et al. |
| 5,580,052 A | 12/1996 | Popadiuk et al. | D468,364 S | 1/2003 | Beadell et al. |
| 5,632,482 A | 5/1997 | Anghelo | 6,530,842 B1 | 3/2003 | Wells et al. |
| D380,014 S | 6/1997 | Yang | 6,530,872 B2 | 3/2003 | Frehland et al. |
| 5,655,965 A | 8/1997 | Takemoto et al. | 6,572,187 B2 | 6/2003 | Laufer |
| 5,664,777 A | 9/1997 | Nordman et al. | 6,589,114 B2 | 7/2003 | Rose |
| 5,669,818 A | 9/1997 | Thorner et al. | 6,609,972 B2 | 8/2003 | Seelig et al. |
| 5,678,886 A | 10/1997 | Infanti | 6,616,142 B2 | 9/2003 | Adams |
| 5,697,612 A | 12/1997 | Piotrowski et al. | 6,620,047 B1 | 9/2003 | Alcorn et al. |
| 5,704,835 A | 1/1998 | Dietz, II | D481,078 S | 10/2003 | Stephan |
| 5,707,059 A | 1/1998 | Sullivan et al. | 6,646,695 B1 | 11/2003 | Gauselmann |
| 5,720,480 A | 2/1998 | Lawlor et al. | 6,652,378 B2 | 11/2003 | Cannon et al. |
| D395,463 S | 6/1998 | Scott et al. | D483,075 S | 12/2003 | Kang |
| 5,762,617 A | 6/1998 | Infanti | D484,548 S | 12/2003 | Franco Munoz et al. |
| 5,791,731 A | 8/1998 | Infanti | D485,583 S | 1/2004 | Porto |
| 5,806,851 A | 9/1998 | Gomez et al. | 6,715,756 B2 | 4/2004 | Inoue |
| 5,820,460 A | 10/1998 | Fulton | 6,729,618 B1 | 5/2004 | Koenig et al. |
| 5,833,236 A | 11/1998 | Oursler et al. | D492,363 S | 6/2004 | Seelig et al. |
| D405,473 S | 2/1999 | Tikhonski et al. | D492,364 S | 6/2004 | Seelig et al. |
| D407,759 S | 4/1999 | Isetani et al. | D492,365 S | 6/2004 | Munoz et al. |
| D408,366 S | 4/1999 | Popadiuk | D492,676 S | 7/2004 | Monson et al. |
| 5,890,715 A | 4/1999 | Gomez et al. | D493,843 S | 8/2004 | Jackson, Sr. et al. |
| 5,899,454 A | 5/1999 | Eddy | D493,846 S | 8/2004 | Seelig et al. |
| 5,924,690 A | 7/1999 | Kopera et al. | D495,754 S | 9/2004 | Wurz et al. |
| 5,934,672 A | 8/1999 | Sines et al. | D495,755 S | 9/2004 | Wurz et al. |
| 5,938,195 A | 8/1999 | Anghelo et al. | D498,267 S | 11/2004 | Crouch |
| 5,944,309 A | 8/1999 | Popadiuk et al. | D500,098 S | 12/2004 | Doi |
| | | | 6,880,825 B2 | 4/2005 | Seelig et al. |
| | | | D505,162 S | 5/2005 | Bristol et al. |
| | | | D508,268 S | 8/2005 | Hanchar et al. |
| | | | D508,269 S | 8/2005 | Wichinsky |

(56)

References Cited

U.S. PATENT DOCUMENTS

2013/0180653	A1	7/2013	Kim et al.
2013/0278875	A1	10/2013	Kim et al.
2014/0055696	A1	2/2014	Lee et al.
2014/0092356	A1	4/2014	Ahn et al.
2014/0176856	A1	6/2014	Lee et al.
2014/0226111	A1	8/2014	Kim
2014/0226112	A1	8/2014	Kim
2014/0354938	A1	12/2014	Kim
2014/0368782	A1	12/2014	Kim et al.
2014/0375936	A1	12/2014	Park et al.
2015/0000823	A1	1/2015	Kim et al.
2015/0036073	A1	2/2015	Im et al.
2015/0116621	A1	4/2015	Park et al.
2015/0116625	A1	4/2015	Hwang et al.
2015/0301390	A1	10/2015	Kim

FOREIGN PATENT DOCUMENTS

KR	1113734	B1	2/2012
KR	2012051630	A	5/2012
KR	1268471	B1	6/2013
KR	1278904	B1	6/2013
KR	1336677	B1	12/2013
KR	1381609	B1	4/2014
KR	1381610	B1	4/2014
KR	2015013987	A	2/2015
KR	1539221	B1	7/2015
TW	200949775	A	12/2009

OTHER PUBLICATIONS

Product Sheet for “Monopoly Chairman of the Board™,” WMS Gaming Inc., 1999 (2 pages).

Product Sheet for “American Eagle,” Eagle Co., Ltd., 2000 (2 pages).

Product Sheet for “Survivor,” WMS Gaming Inc., 2001 (4 pages).

Product Sheet for “ProSLOT®6000,” Bally Gaming Systems, 2002 (4 pages).

Product Sheet for “EVO™ Hybrid,” Bally Gaming Systems, 2002 (4 pages).

Product Sheet for “3RV™,” WMS Gaming Inc., 2002 or earlier (2 pages).

Product Sheet for “Miss America,” AC Coin & Slot, 2002 or earlier (2 pages).

Product Catalog for Ainsworth Game Technology Ltd, date estimated as early as 2007 (6 pages).

Product Sheet for “Ultrapin™,” Global VR, 2007 (1 pages).

Brochure for “Virtual Pinball,” Tab-Austria, 2007 (8 pages).

Catalog for Atronic®-Spielo®, date estimated as early as 2008 (2 pages).

Product Catalog for “Alpha Elite™,” Bally Technologies, date estimated as early as 2008-2009 (2 pages).

Cabinet Brochure for Hydako Co., date estimated as early as 2009 (1 page).

Product Catalog for Bally Technologies, date estimated as early as 2010 (2 pages).

Fall & Winter Catalog for Aristocrat, date estimated as early as 2010-2011 (7 pages).

Catalog for “Your Partner Innovation,” Bally Technologies, date estimated as early as 2011 (4 pages).

Co-pending Design U.S. Appl. No. 29/559,629, filed Mar. 30, 2016.

Co-pending Design U.S. Appl. No. 29/559,613, filed Mar. 30, 2016.

Co-pending Design U.S. Appl. No. 29/559,593, filed Mar. 30, 2016.

Immersaview, “Why choose a Curved Screen for your Multi-Projector Setup”, Jan. 28, 2016; retrieved from <<https://www.immersaview.com/resources/why-curved/>> (7 pages).

Denison; “Why can’t you buy a flat OLED yet? The curve isn’t just about viewing experience”; Digital Trends; Aug. 18, 2013; retrieved from <<http://www.digitaltrends.com/home-theater-why-did-the-us-get-stuck-with-curved-oled/#!zXypT>> (8 pages).

Wilcox, “LG, Samsung, and Sony throw TV buyers a curve”; Consumer Reports; Sep. 10, 2013; retrieved from <http://www.consumerreports.org/cro/news/2013/09/curved-tv-screens/index_h.htm#> (1 page).

Snider; “Sony tosses latest pitch for curved TV displays”; USA Today; Oct. 15, 2013; retrieved from <<http://www.usatoday.com/story/tech/personal/2013/10/15/new-curved-sony-led-hdtv/2982051/>> (2 pages).

Morrison; “Curved OLED HDTV screens are a bad idea (for now)”; CNET; Jun. 18, 2013; retrieved from <<https://www.cnet.com/news/curved-oled-hdtv-screens-are-a-bad-idea-for-now/>> (9 pages).

Cochran; “Why Samsung’s curved-screen TV might be a ‘game changer’”; CBS News; Aug. 14, 2013; retrieved from <<http://www.cbsnews.com/news/why-samsungs-curved-screen-tv-might-be-a-game-changer/>> (3 pages).

Kelly; “TV trends at CES: 4K, curves and smart TVs”; CNN; Jan. 8, 2014; retrieved from <<http://www.cnn.com/2014/01/07/tech/gaming-gadgets/ces-television-trends/>> (5 pages).

Manjoo; “TV Makers Are Out of Ideas”; Wall Street Journal; Jan. 8, 2014; retrieved from <<https://www.wsj.com/news/articles/SB10001424052702303393804579308801012230792>> (4 pages).

Daniel; “Curved Monitors—Overview”; Curved Monitor Test; Aug. 28, 2015; retrieved from <<http://www.curved-monitor-test.de/>> (5 pages).

Matthias; “Curved TV—Overview”; Curved TV Test; Apr. 20, 2016; retrieved from <<https://technikblog.net/fernseher-test/curved-tv/>> (16 pages, in German).

Ljt216; “Flat Screen vs Curved CRTs for Retro Games”; Reddit; Jul. 29, 2015; retrieved from <https://www.reddit.com/r/gamecollecting/comments/3f25r0/flat_screen_vs_curved_crts_for_retro_games/> (4 pages).

Photonics Industry and Technology Development Association (PIDA); “E-Paper Shows Potential at Creating a Paperless Haven”; OptoLink Magazine, 3 Quarter 2008; pp. 8-11 (4 pages).

AU Optronics Corp.; News Center: “AUO Announces Multiple Upcoming Innovations”; Oct. 27, 2008; retrieved from <<http://www.auo.com/?sn=107&lang=en-US&c=10&n=363>>; (2 pages).

DigiTimes, Inc.; “FPD China 2009: AUO 8.9-inch convex display panel”; Mar. 12, 2009; retrieved from <<http://www.digitimes.com/photogallery/showphoto.asp?ID=3376>>; (3 pages).

Gizmodo.com; “AUO Curved Displays, Ultra Thin LCDs On the Way”; May 20, 2008; retrieved from <<http://gizmodo.com/392248/auo-curved-displays-ultra-thin-lcds-on-the-way>>; (2 pages).

PC World; “AU Optronics Shows Off Curved LCD Screen”; May 20, 2008; retrieved from <<http://www.pcworld.com/article/146083/article.amp.html>> (3 pages).

DailyTech; “AUO Shows Off Curved Display and Touch Screen”, May 23, 2008; retrieved from <<http://www.dailytech.com/AUO+Shows+Off+Curved+Display+and+Touch+Screen+Tech/article11845.htm>>; (2 pages).

OLED-Info; “LG Phillips LCD Develops 14.3-Inch Color E-Paper Display”; Jan. 4, 2008; retrieved from <http://www.oled-info.com/lg/lg_phillips_lcd_develops_14_3_inch_color_e_paper_display>; (2 pages).

NewLaunches.com; “LG Phillips LCD develops world’s highest resolution 14.3 inch flexible color E-paper display!”; Jan. 3, 2008; retrieved from <http://newlaunches.com/archives/lgphillips_lcd_develops_worlds_highest_resolution_143inch_flexible_color_epaper_display.php>; (4 pages).

Series of Screenshots from video: Wood, Molly (Mar. 26, 2015). Major, Clare, Carr, Vanessa, eds.<<https://www.nytimes.com/video/technology/personaltech/100000002788325/curved-screens-worth-it.html>>.

* cited by examiner

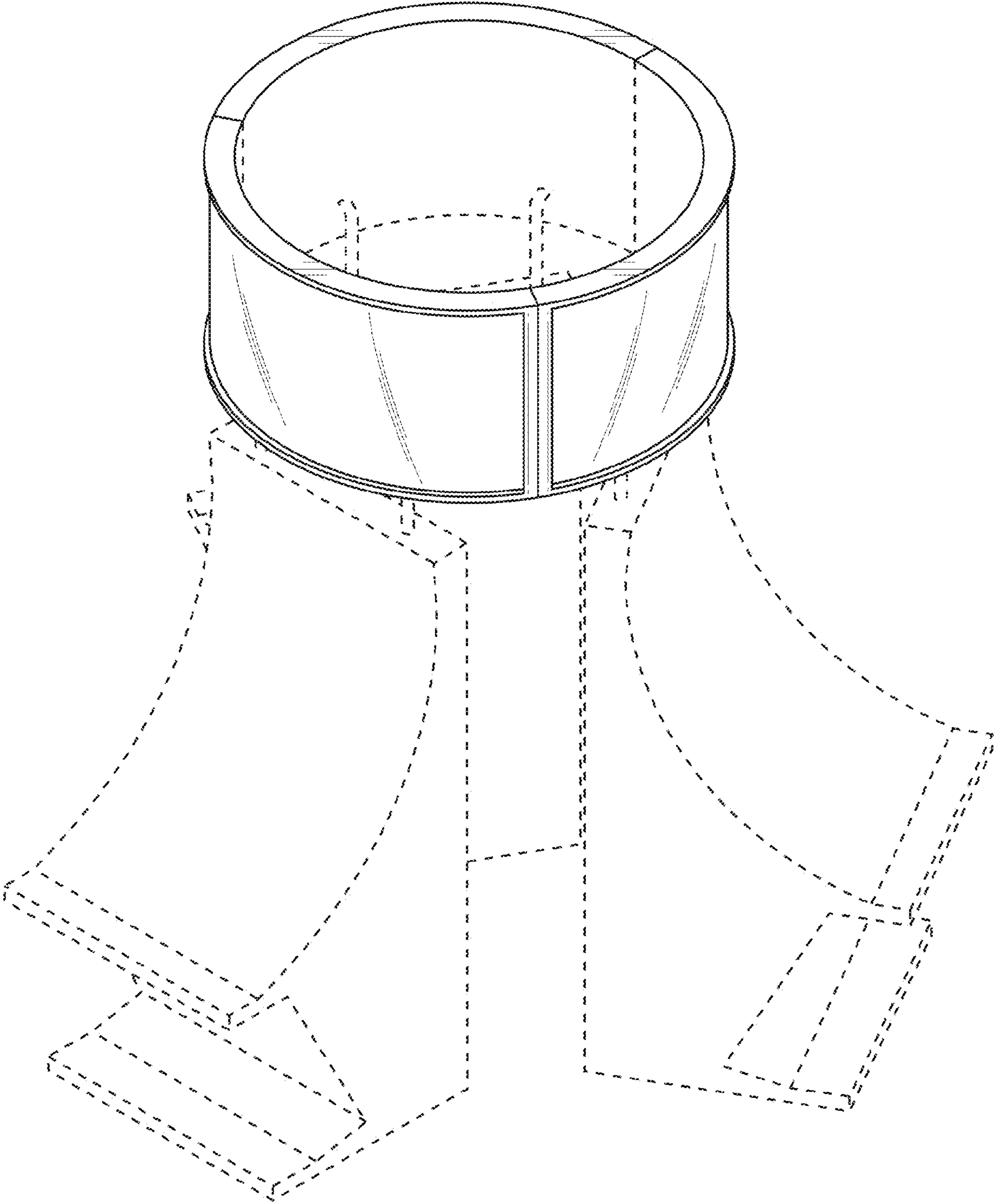


FIG. 1

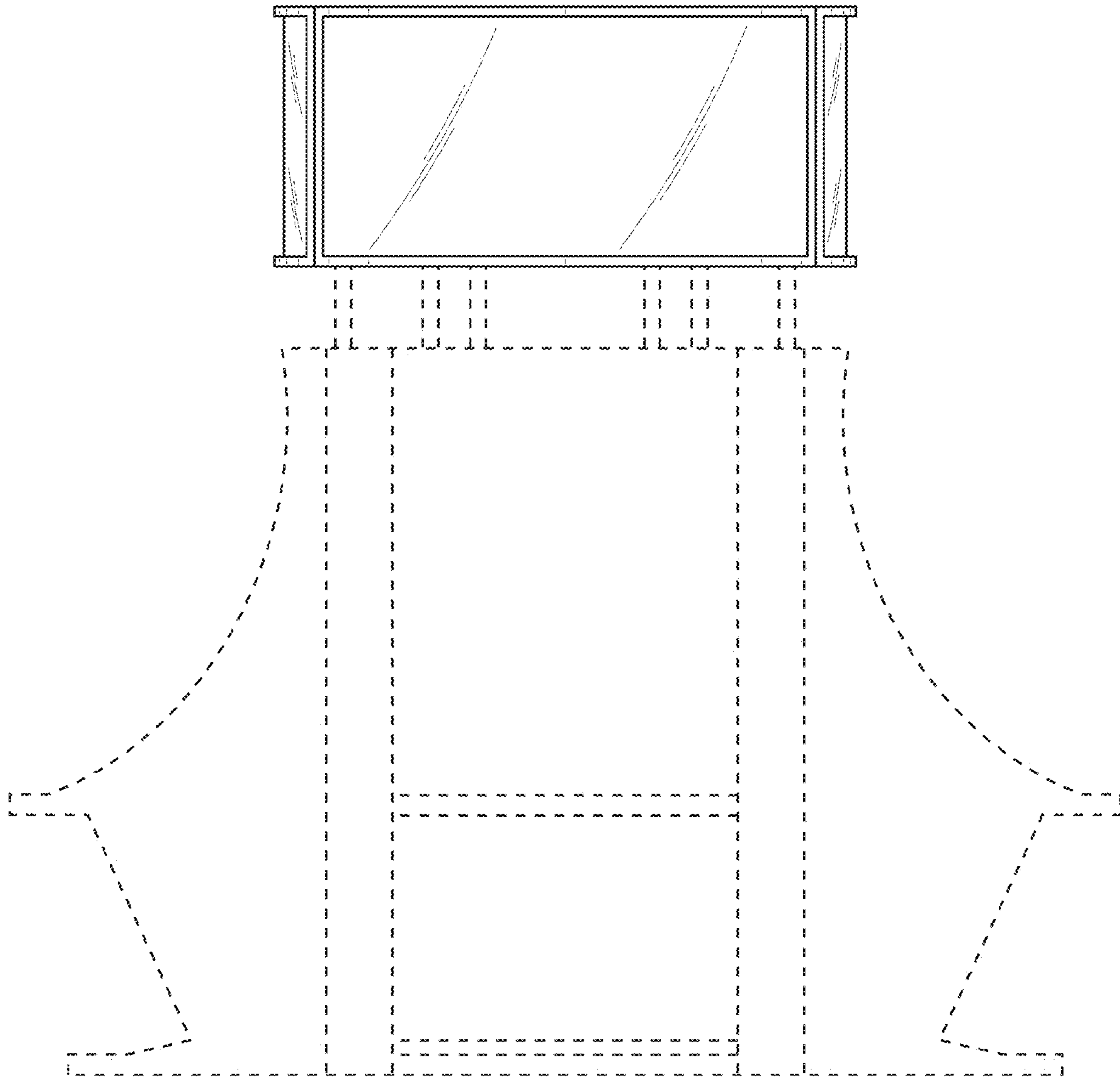


FIG. 2

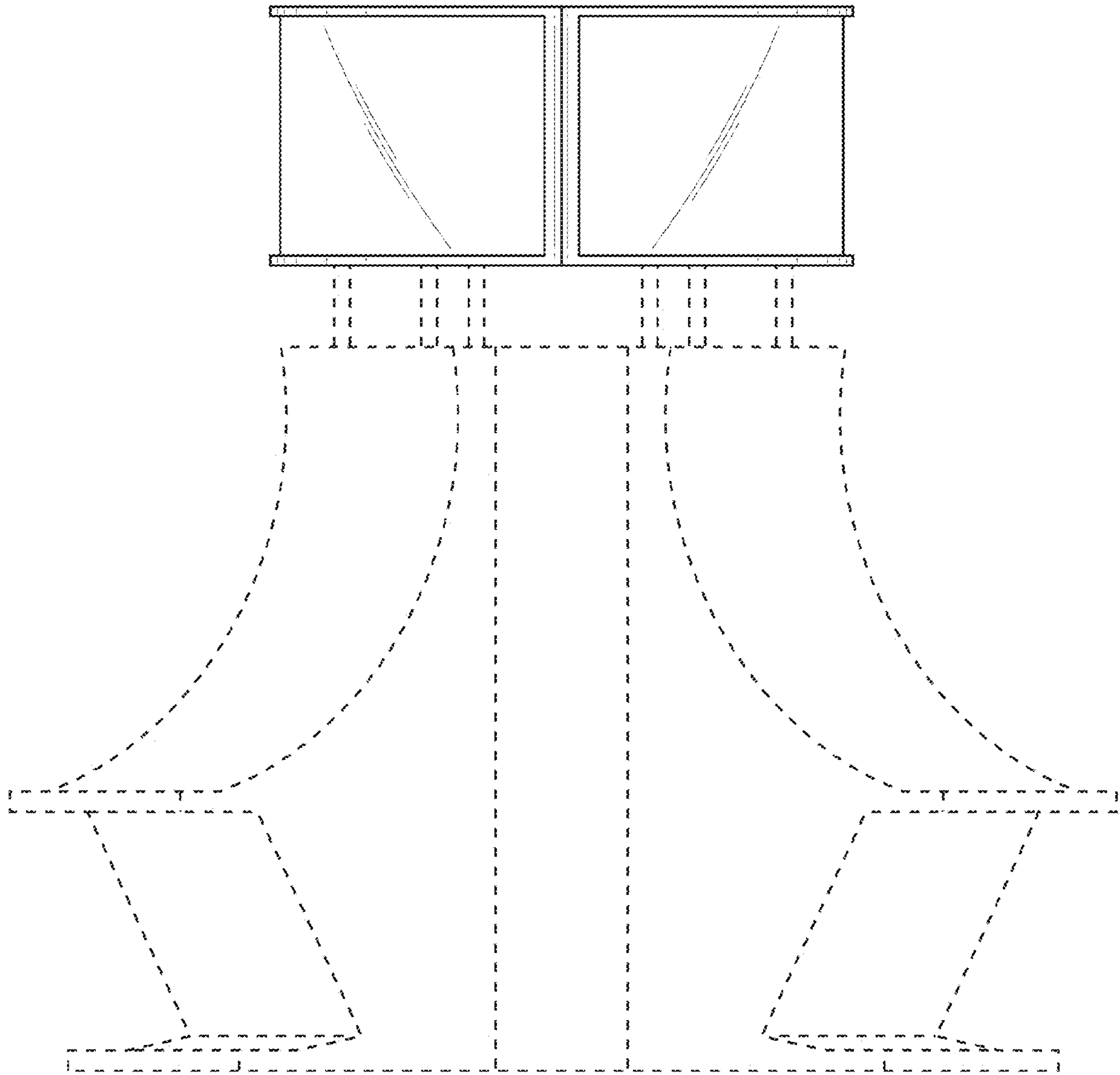


FIG. 3

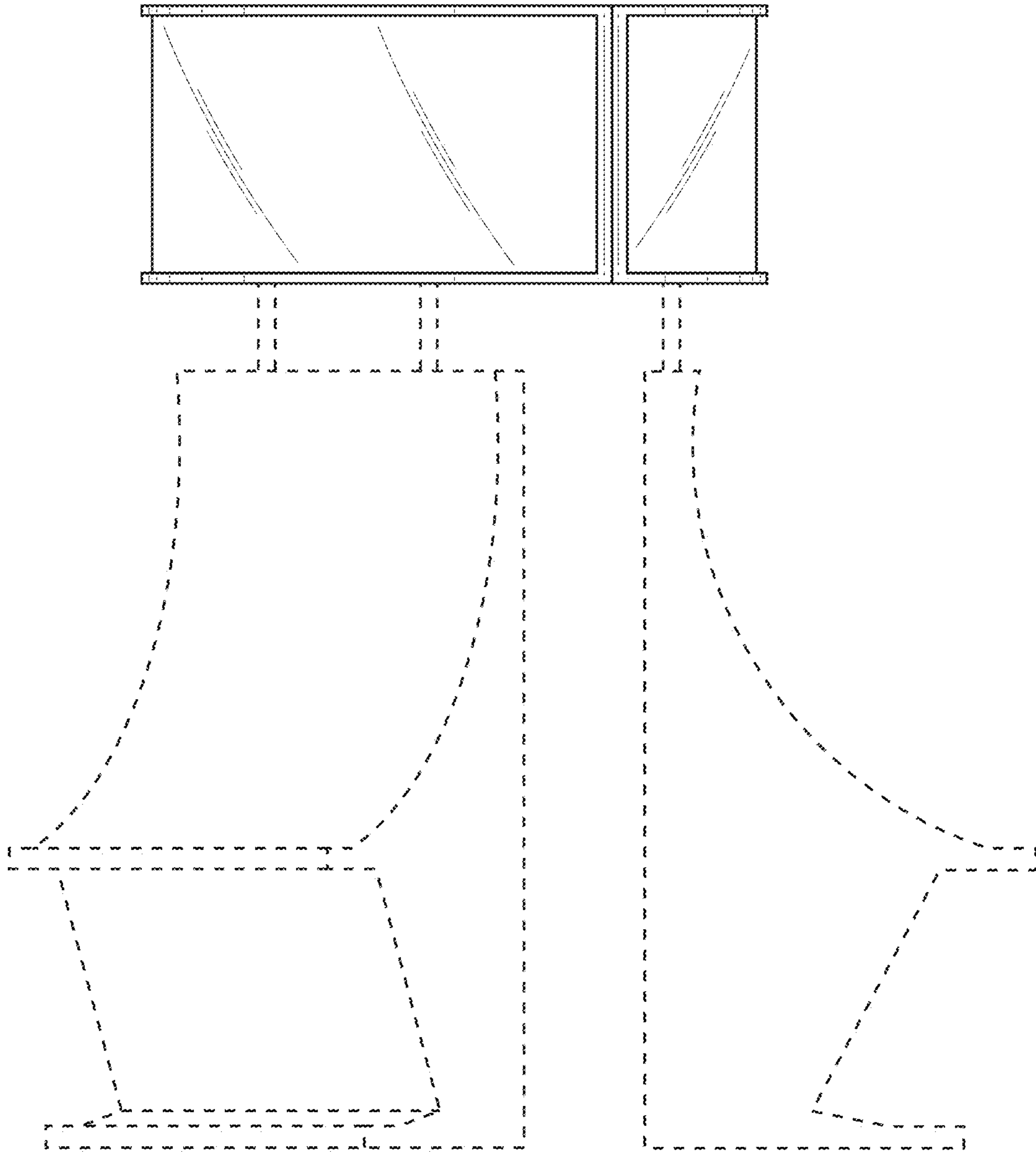


FIG. 4

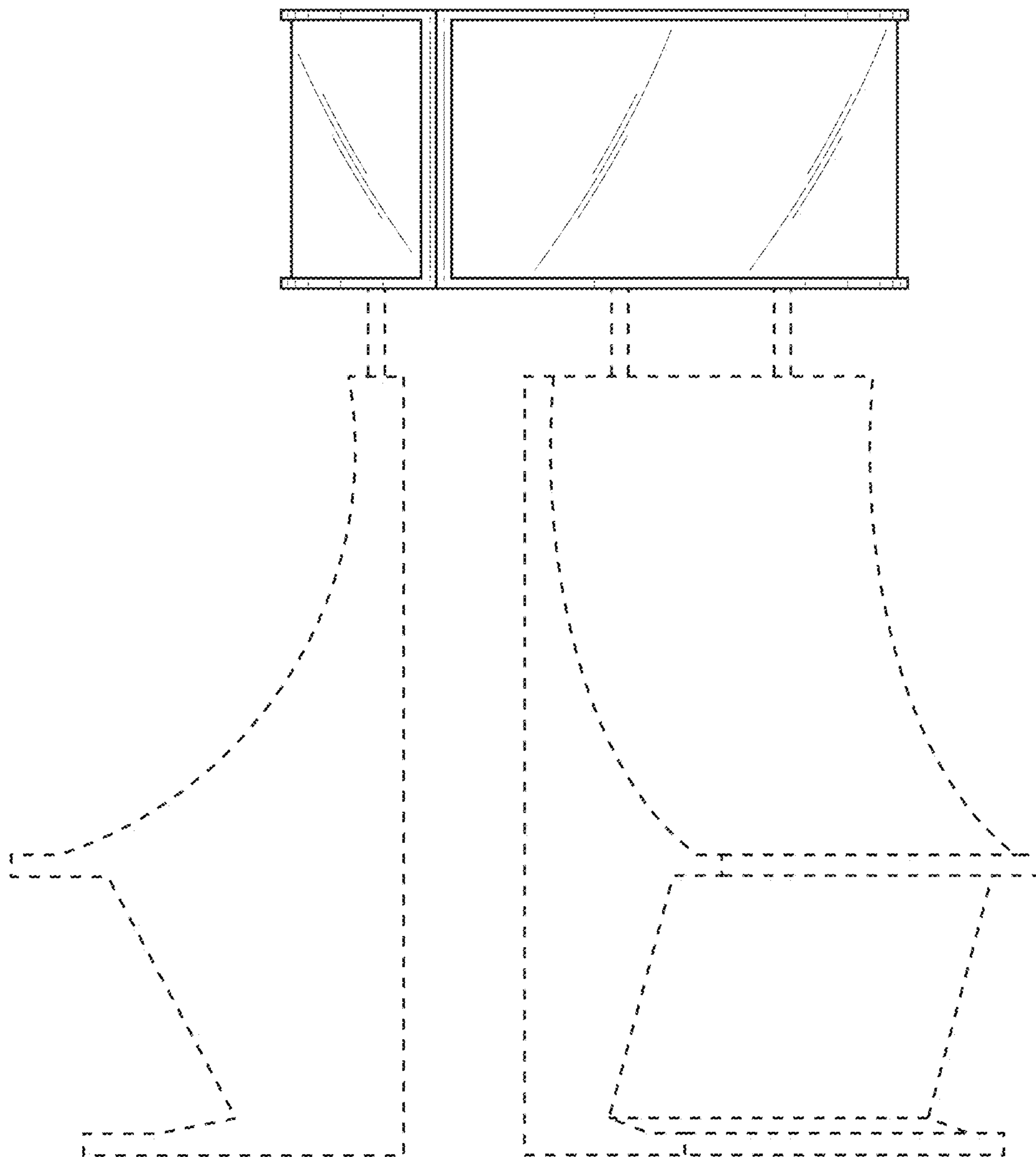


FIG. 5

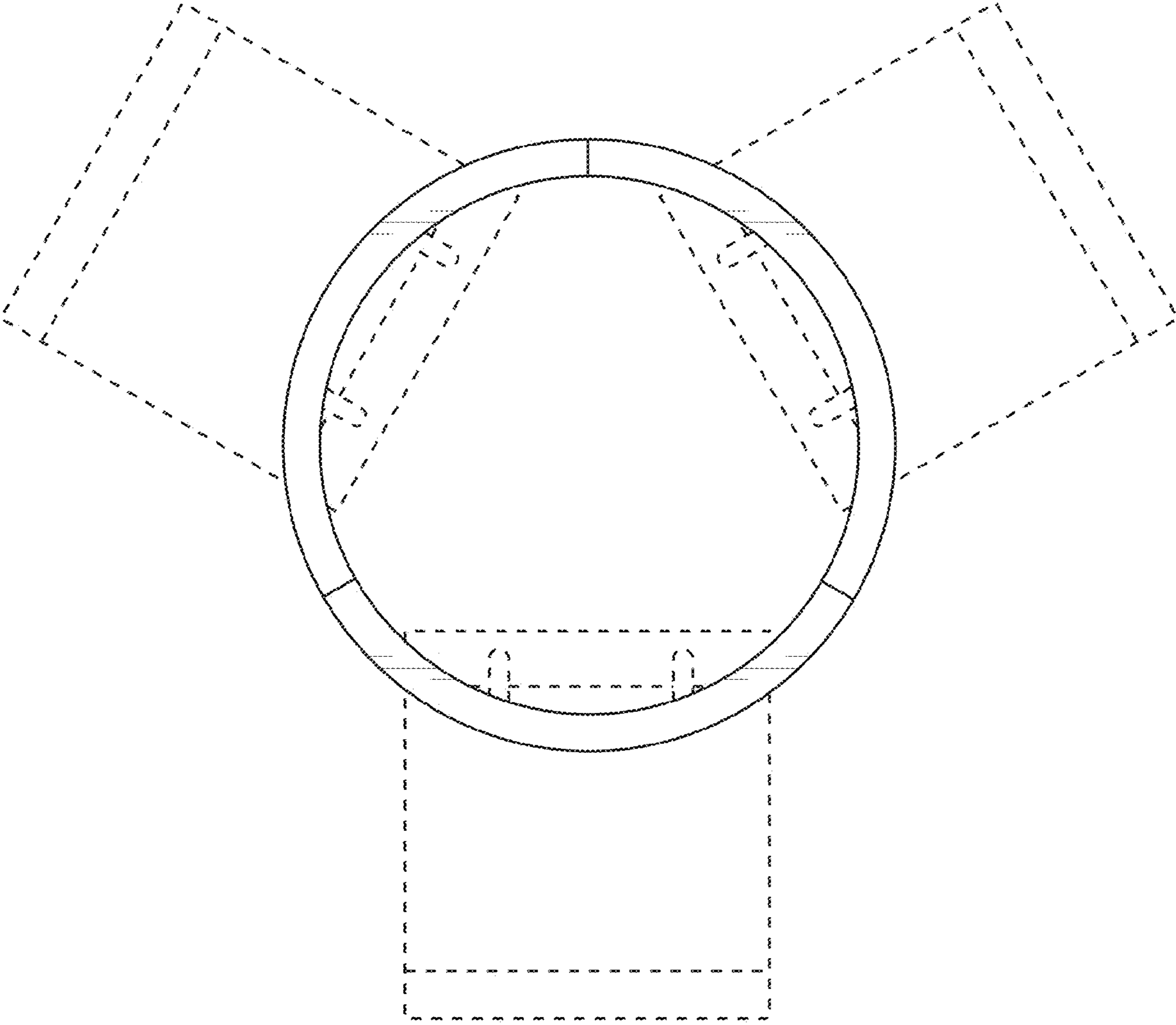


FIG. 6

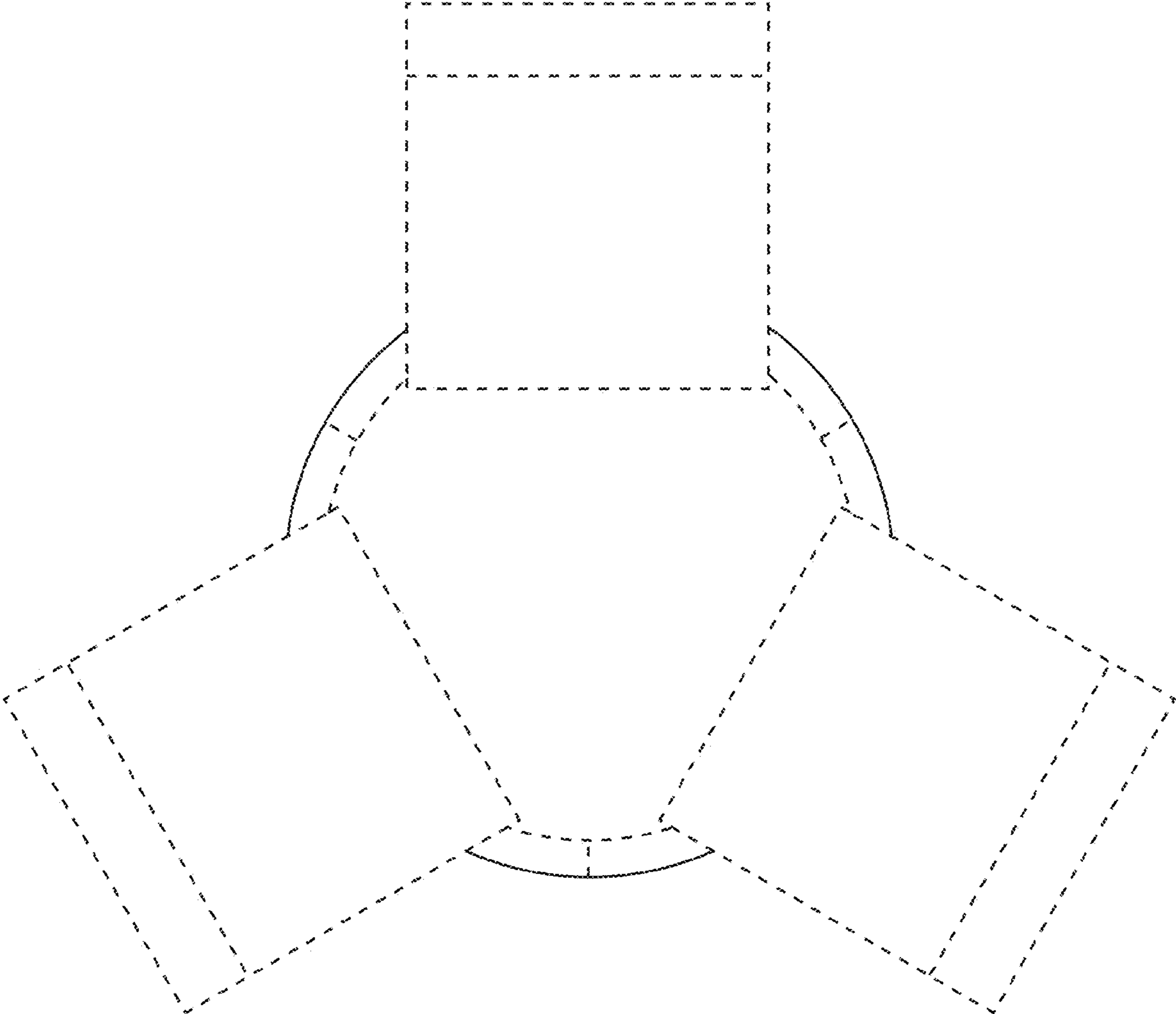


FIG. 7