



US00D883389S

(12) **United States Design Patent** (10) **Patent No.:** **US D883,389 S**
Schultheis et al. (45) **Date of Patent:** **** May 5, 2020**

(54) **PLAYING SURFACE FOR SPINNING TOP TOY**

(71) Applicant: **TOMY COMPANY, LTD.**, Tokyo (JP)

(72) Inventors: **Douglas Arthur Schultheis**, Cumberland, RI (US); **Luke Christopher Lohan**, Abington, MA (US); **Michelino Paolino, Jr.**, Rumford, RI (US); **Max J. Sackett**, Warwick, RI (US)

(73) Assignee: **TOMY COMPANY, LTD.**, Tokyo (JP)

(**) Term: **15 Years**

(21) Appl. No.: **29/667,994**

(22) Filed: **Oct. 26, 2018**

(51) **LOC (12) Cl.** **21-01**

(52) **U.S. Cl.**
USPC **D21/338**; D21/461

(58) **Field of Classification Search**
USPC D21/334, 336-342, 355-359, 365, 318, D21/397, 312, 314, 320, 362, 366, 367, D21/385, 455, 456, 460, 461, 484, D21/491-501, 561, 564; 273/242, 273/244-247, 259, 277, 287, 317.3, 273/108.1, 108.5, 118 D, 236-240, 283, 273/309, 441, 461, 108.2, 108.3, 113, 273/115, 116, 241, 280, 282.1, 282.2, 273/282.3, 289, 148 R, 440, 444, 450, 273/453, 459, 109, 110, 108; D6/406.1, D6/406.3, 406.4, 406.6; D19/86, 92, 95, D19/87, 113, 75, 77, 78, 80; 108/14, 62, 108/43, 67; 434/416, 247, 248, 251, 408, 434/413, 145, 430; 446/82, 168, 236, 446/256, 257, 259, 262, 263, 491; D7/538-550.1, 552.2, 553.1-553.8, D7/554.1-554.4, 558, 584-588, 601, 602, D7/359, 354, 356; D9/737, 756,

D9/758-761, 414, 424-433, 456, 499; D30/121, 129-133; D11/143, 144, 152, D11/153, 155, 156, 164; 47/65, 65.5, 47/65.6, 66.7, 71, 73-75, 39; 473/569; 463/69

CPC A63F 3/00; A63F 3/00003; A63F 3/00028; A63F 3/00041; A63F 3/00044; A63F 3/00047; A63F 3/00173; A63F 3/00176; A63F 3/00214; A63F 3/00261; A63F 3/00643; A63F 3/00646-00659; A63F (Continued)

(56) **References Cited**

U.S. PATENT DOCUMENTS

581,365 A * 4/1897 Parker A63F 7/044 273/113
2,083,119 A * 6/1937 Hense A63F 5/0088 273/119 R

(Continued)

Primary Examiner — Susan Moon Lee

(74) *Attorney, Agent, or Firm* — Oliff PLC

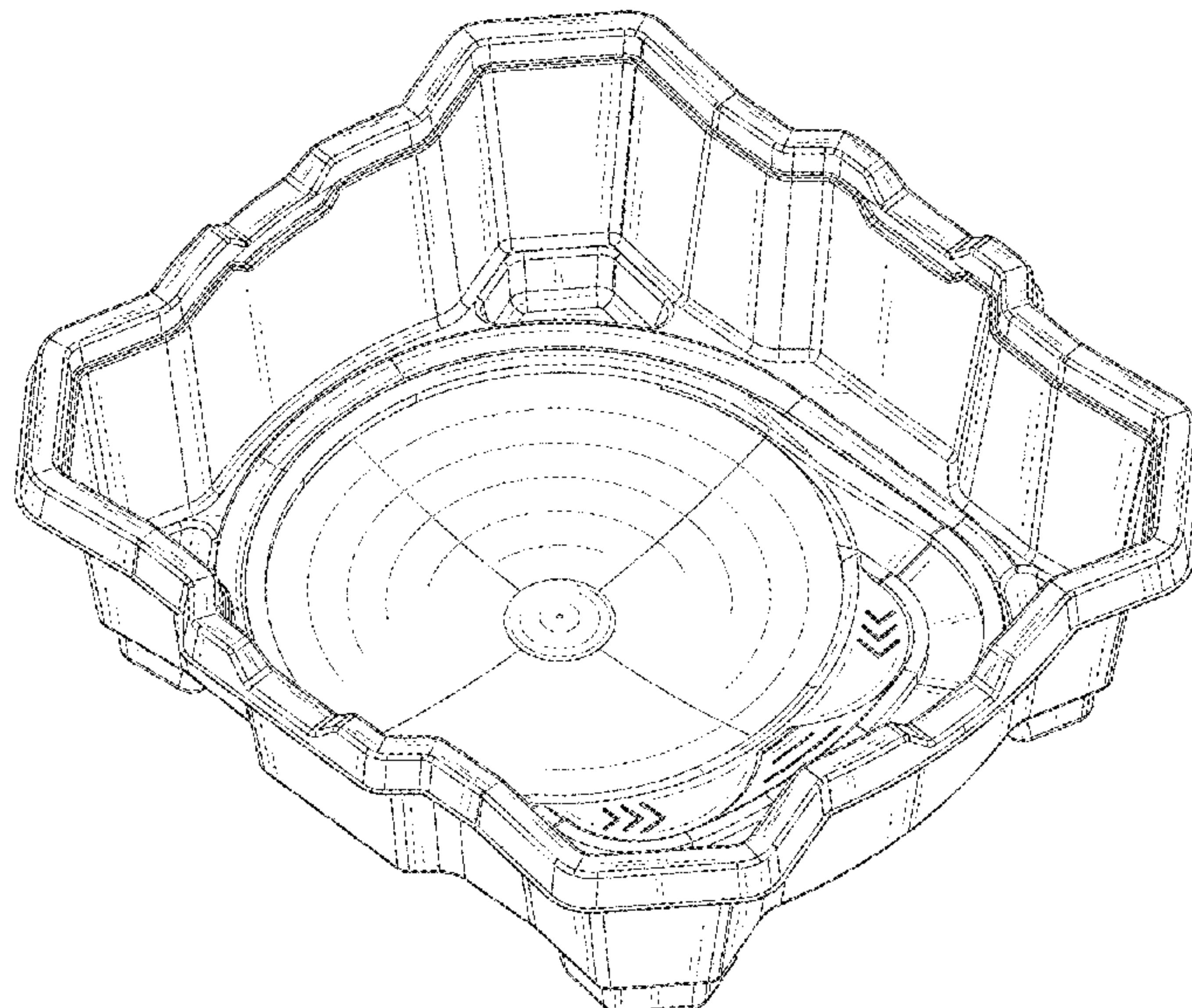
(57) **CLAIM**

The ornamental design for a playing surface for spinning top toy, as shown and described.

DESCRIPTION

FIG. 1 is a front elevational view of the playing surface for spinning top toy;
FIG. 2 is a rear elevational view thereof;
FIG. 3 is a left-side elevational view thereof;
FIG. 4 is a right-side elevational view thereof;
FIG. 5 is a top plan view thereof;
FIG. 6 is a bottom plan view thereof;
FIG. 7 is a front, right-side, top perspective view thereof; and,
FIG. 8 is a rear, left-side, bottom perspective view thereof.

1 Claim, 8 Drawing Sheets



(58) **Field of Classification Search**

CPC .. 3/04; A63F 2003/00182; A63F 2003/00223;
 A63F 2003/00457; A63F 3/0046; A63F
 3/00463; A63F 3/00466; A63F 3/0047;
 A63F 3/00485; A63F 3/00492; A63F
 3/00507; A63F 3/00514; A63F 3/00533;
 A63F 3/00552; A63F 3/00558; A63F
 3/00943; A63F 3/00946; A63F
 3/00952-00962; A63F 2003/00974; A63F
 7/00; A63F 7/06; A63F 7/0612; A63F
 7/0604; A63F 7/0616-0636; A63F 7/30;
 A63F 7/36; A63F 7/0005; A63F 7/0017;
 A63F 7/0023; A63F 2007/0035; A63F
 2007/367; A63F 2007/3674; A63F 9/00;
 A63F 9/16; A63F 2009/165

See application file for complete search history.

(56) **References Cited**

U.S. PATENT DOCUMENTS

3,208,185 A * 9/1965 Silvera A63F 7/3075
 446/137
 3,643,954 A * 2/1972 Meyer A63F 9/02
 273/119 A
 3,674,271 A * 7/1972 De Gelder A63H 1/00
 273/115
 D246,197 S * 10/1977 Iwanami D21/590
 4,061,334 A * 12/1977 Kanno A63F 9/02
 273/126 A
 4,200,283 A * 4/1980 Andrews A63F 9/16
 273/108

4,292,756 A * 10/1981 Jaworski A63H 1/00
 446/246
 4,332,385 A * 6/1982 McCaslin A63F 7/041
 273/113
 4,648,602 A * 3/1987 Maroney A63F 9/0402
 273/146
 4,982,961 A * 1/1991 Ichimura A63F 9/16
 273/109
 5,415,401 A * 5/1995 Nagasaka A63F 7/027
 273/109
 5,782,351 A * 7/1998 Shoptaugh B65D 51/249
 206/315.1
 6,032,827 A * 3/2000 Zettle B65D 43/0212
 220/784
 D563,102 S * 3/2008 Cornwell D3/294
 D563,671 S * 3/2008 Cornwell D3/294
 D606,125 S * 12/2009 Ujita D21/397
 D606,126 S * 12/2009 Ujita D21/397
 9,566,532 B1 * 2/2017 Walterscheid A63H 17/00
 D806,801 S * 1/2018 Shindo D21/338
 D811,487 S * 2/2018 Shindo D21/338
 D834,651 S * 11/2018 Schultheis D21/338
 D838,316 S * 1/2019 Shindo D21/461
 2003/0199222 A1 * 10/2003 Matsukawa A63H 1/04
 446/256
 2007/0216090 A1 * 9/2007 Brown A63F 9/16
 273/108
 2010/0320682 A1 * 12/2010 Derrah A63F 7/0088
 273/108.1
 2017/0239558 A1 * 8/2017 Shindo A63H 1/00
 2017/0333783 A1 * 11/2017 Shindo A63F 9/16
 2019/0184278 A1 * 6/2019 Campos A63H 1/04

* cited by examiner

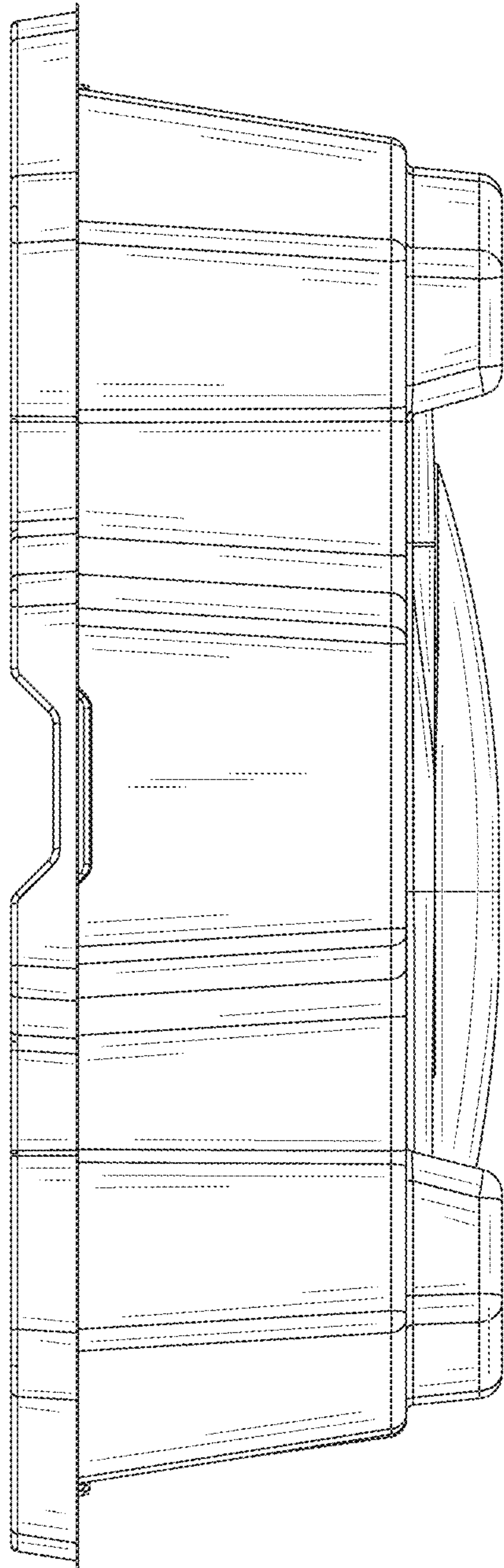


FIG. 1

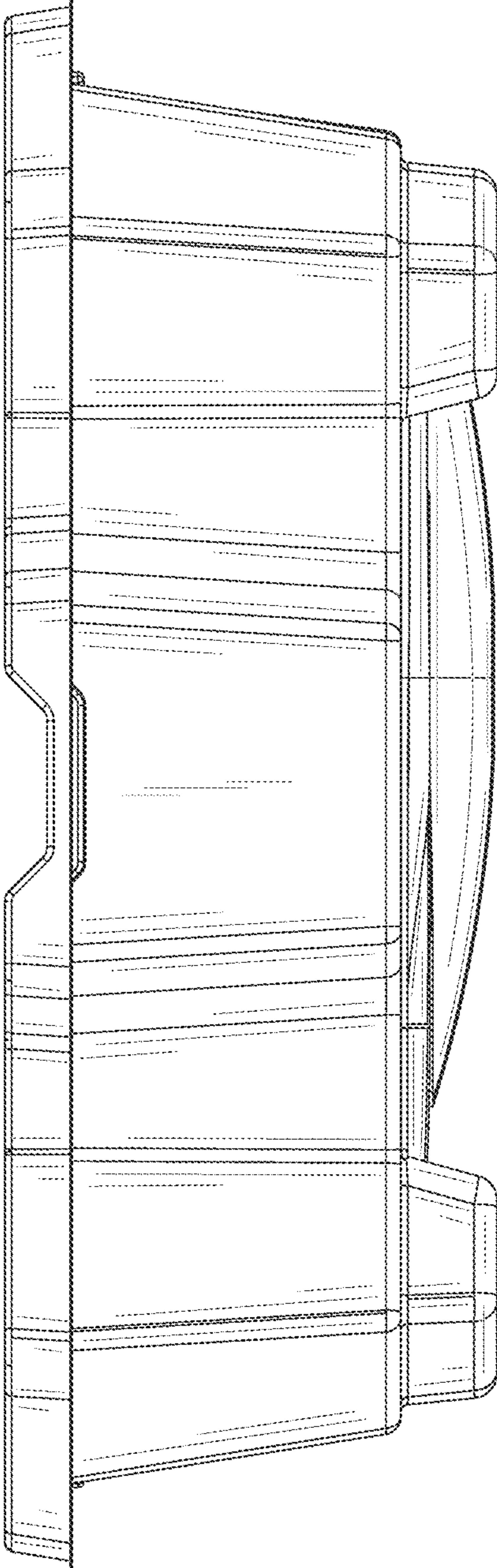


FIG. 2

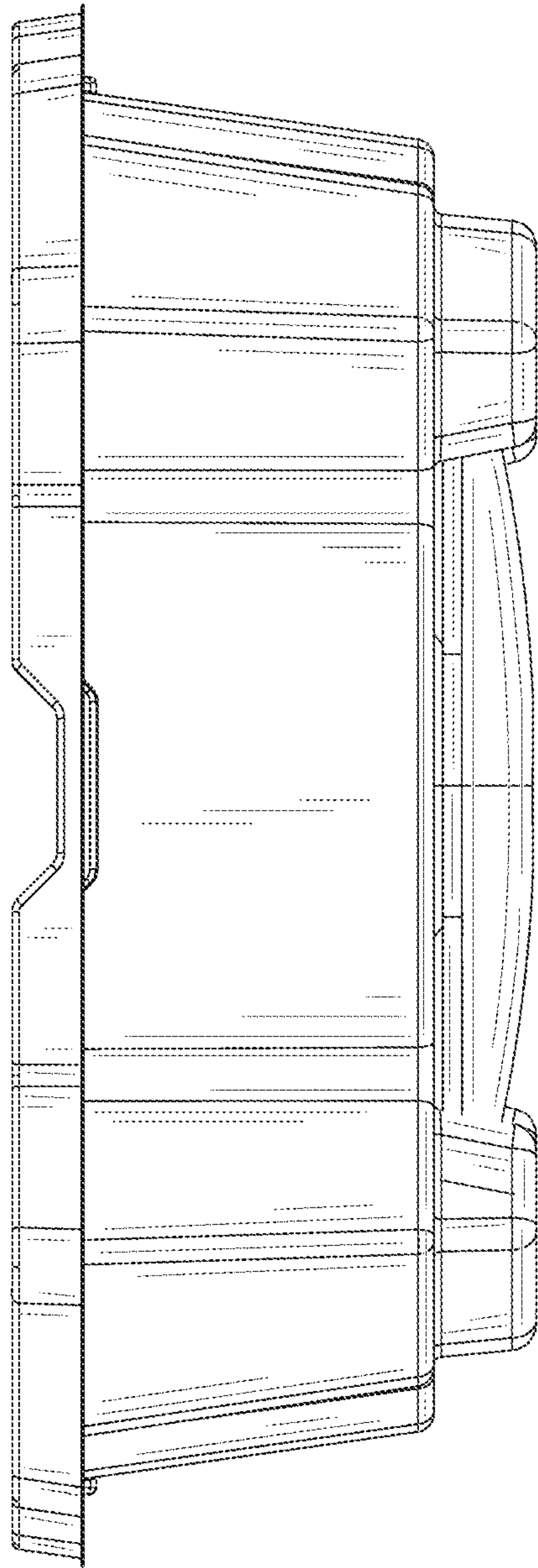


FIG. 3

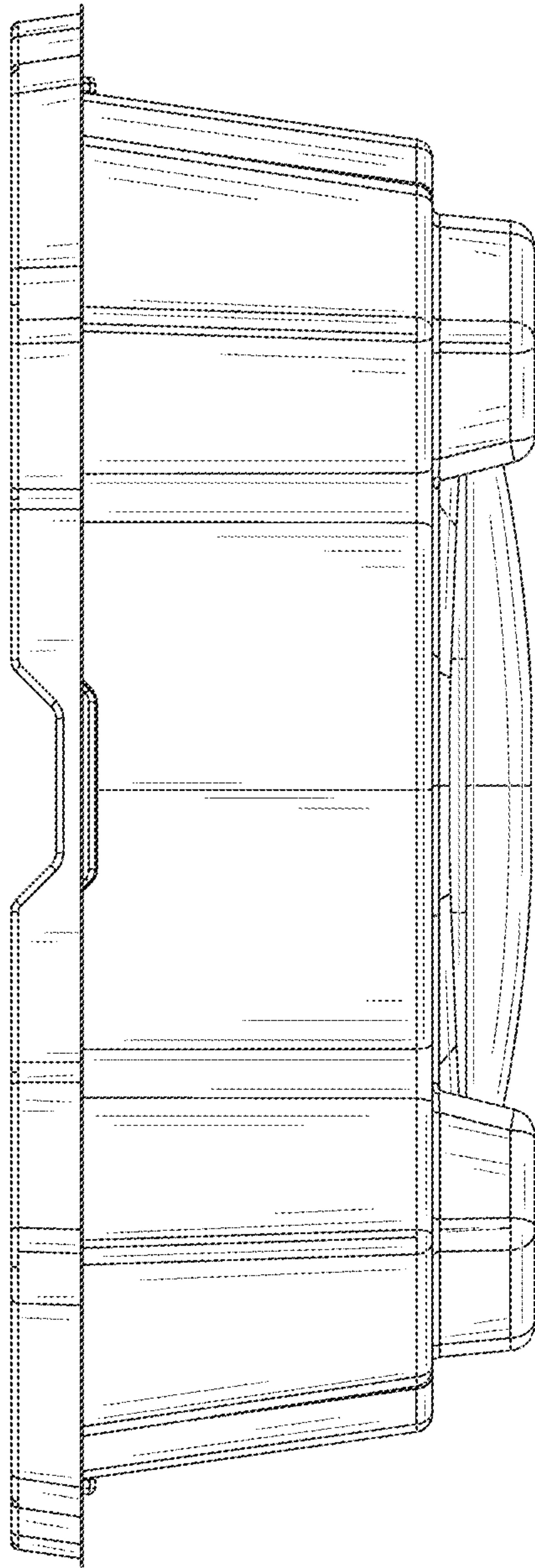


FIG. 4

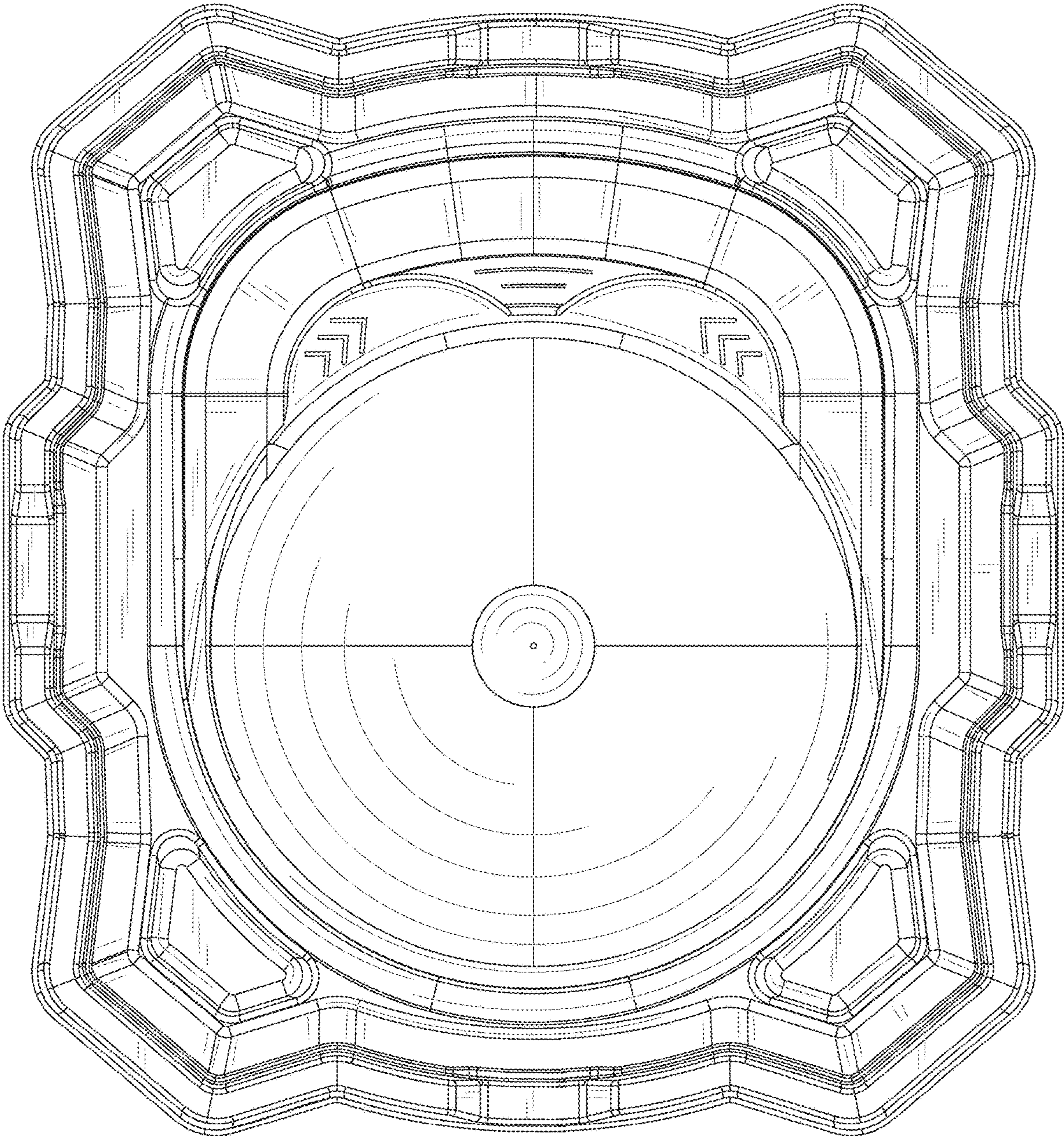


FIG. 5

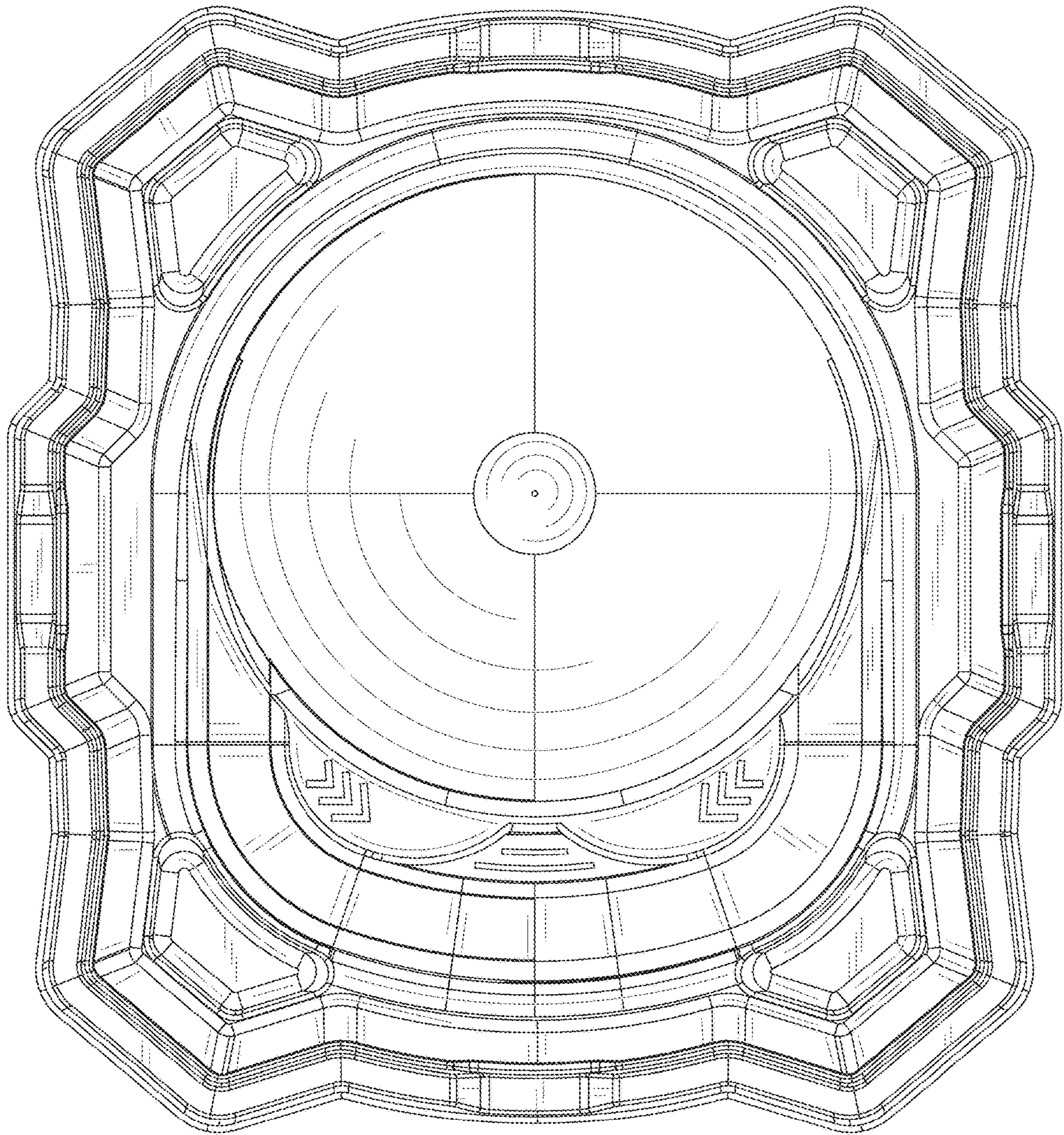


FIG. 6

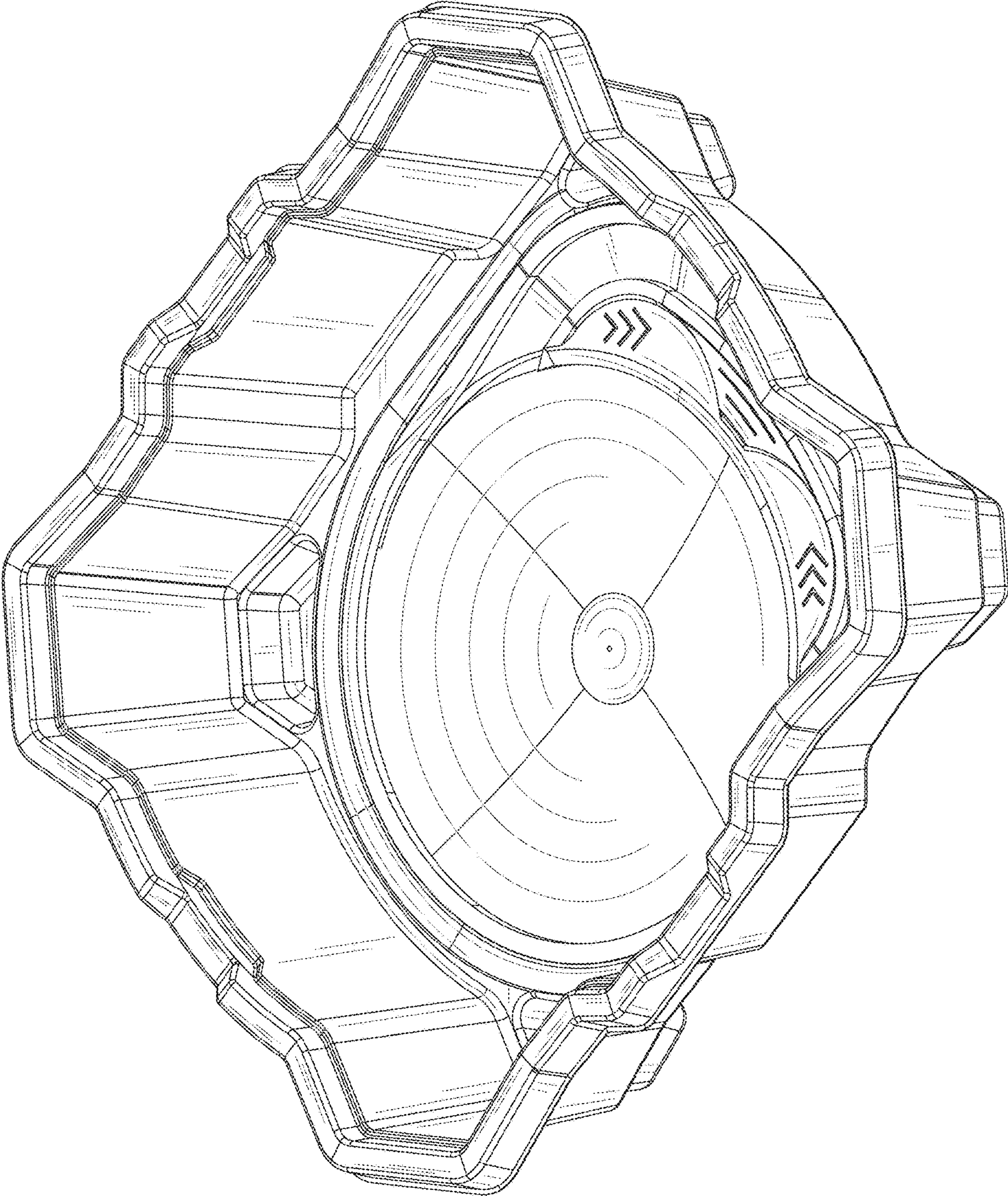


FIG. 7

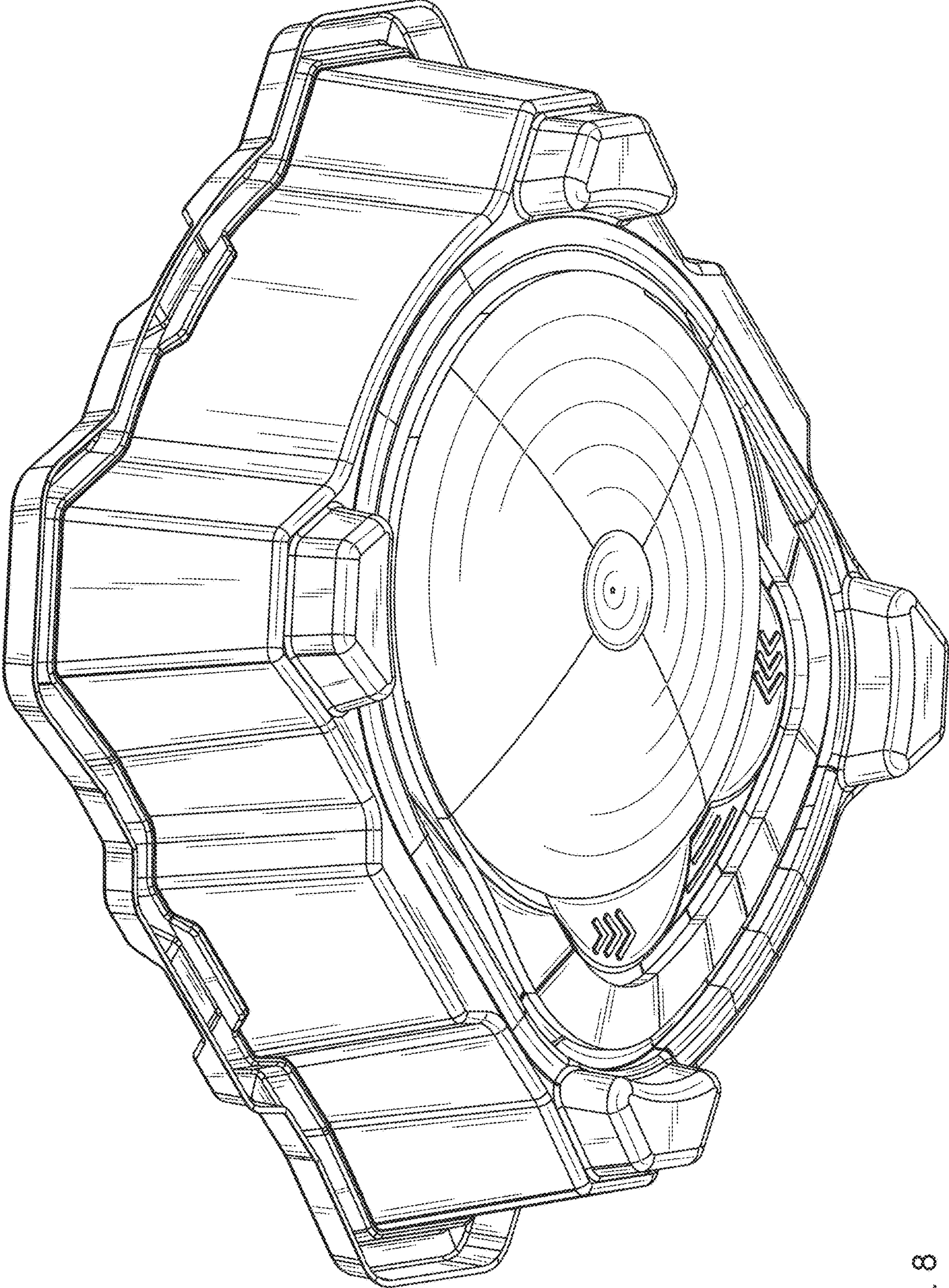


FIG. 8