



US00D883387S

(12) **United States Design Patent** (10) **Patent No.:** **US D883,387 S**
Zammuto et al. (45) **Date of Patent:** **** May 5, 2020**

(54) **DARTBOARD GAME**

(71) Applicant: **Arachnid 360, LLC**, Loves Park, IL (US)

(72) Inventors: **Samuel N. Zammuto**, Rockford, IL (US); **Patrick G. Rice**, Brodhead, WI (US)

(73) Assignee: **Arachnid 360, LLC**, Loves Park, IL (US)

(**) Term: **15 Years**

(21) Appl. No.: **29/662,375**

(22) Filed: **Sep. 5, 2018**

(51) **LOC (12) Cl.** **21-01**

(52) **U.S. Cl.**
USPC **D21/307**

(58) **Field of Classification Search**
USPC D21/300, 302, 306-310, 334, 335, 336, D21/338-341, 343, 345, 346, 348-351, D21/355, 357, 359, 360, 362, 363, 365, D21/369, 376, 378, 388, 389; D22/113
CPC A63F 3/00006; A63F 3/00056; A63F 3/00138; A63F 3/062
See application file for complete search history.

(56) **References Cited**

U.S. PATENT DOCUMENTS

4,516,781 A * 5/1985 DeVale F41J 3/0042
273/373
4,561,660 A * 12/1985 Zammuto F41J 5/04
273/376

D448,809 S * 10/2001 Jones D21/307
D625,366 S * 10/2010 Shoui F41J 3/0042
D21/307
D814,573 S * 4/2018 Hong F41J 3/0028
D21/308
2012/0299244 A1* 11/2012 Rice F41J 3/0028
273/407

* cited by examiner

Primary Examiner — George D. Kirschbaum

Assistant Examiner — Joseph J Kukella

(74) *Attorney, Agent, or Firm* — Robert D. Donoghue; Jeffrey T. Placker; Holland & Knight LLP

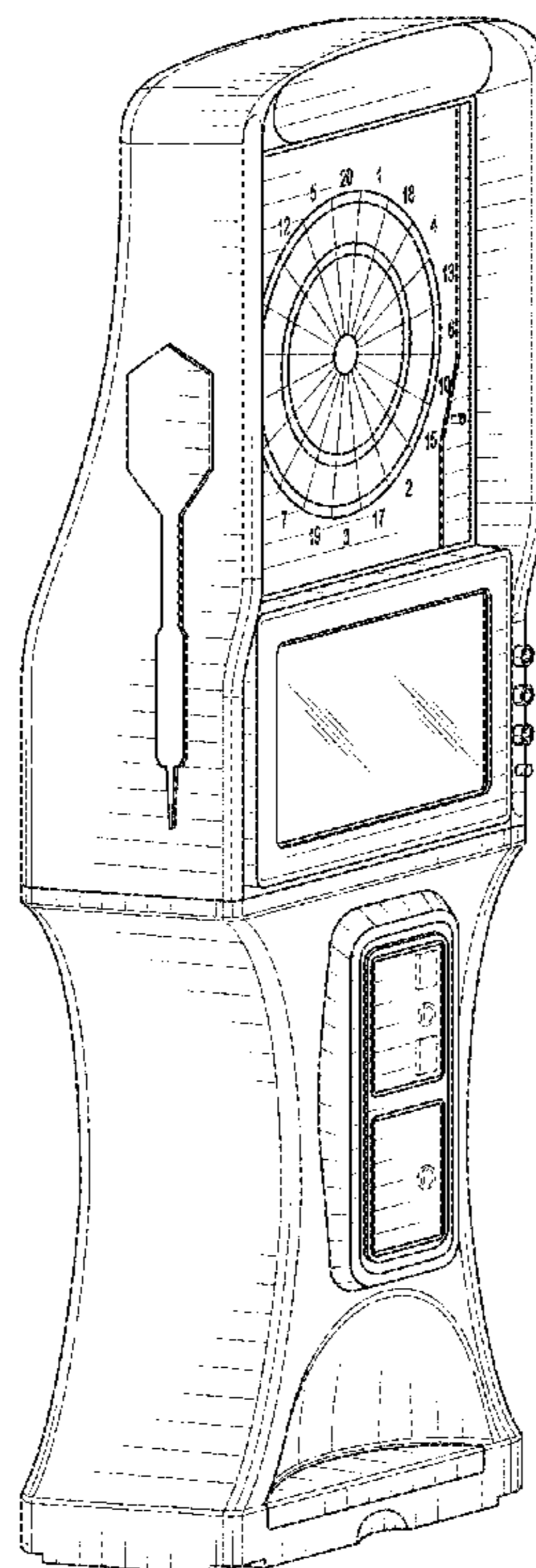
(57) **CLAIM**

The ornamental design for a dartboard game, as shown and described.

DESCRIPTION

FIG. 1 is a top-front-left perspective view of a dartboard game;
FIG. 2 is a front elevation view thereof;
FIG. 3 is a rear elevation view thereof;
FIG. 4 is a left elevation view thereof;
FIG. 5 is a right elevation view thereof; and,
FIG. 6 is a top plan view thereof.
In the drawings, the broken lines depict portions of the dartboard game that form no part of the claimed design.

1 Claim, 5 Drawing Sheets



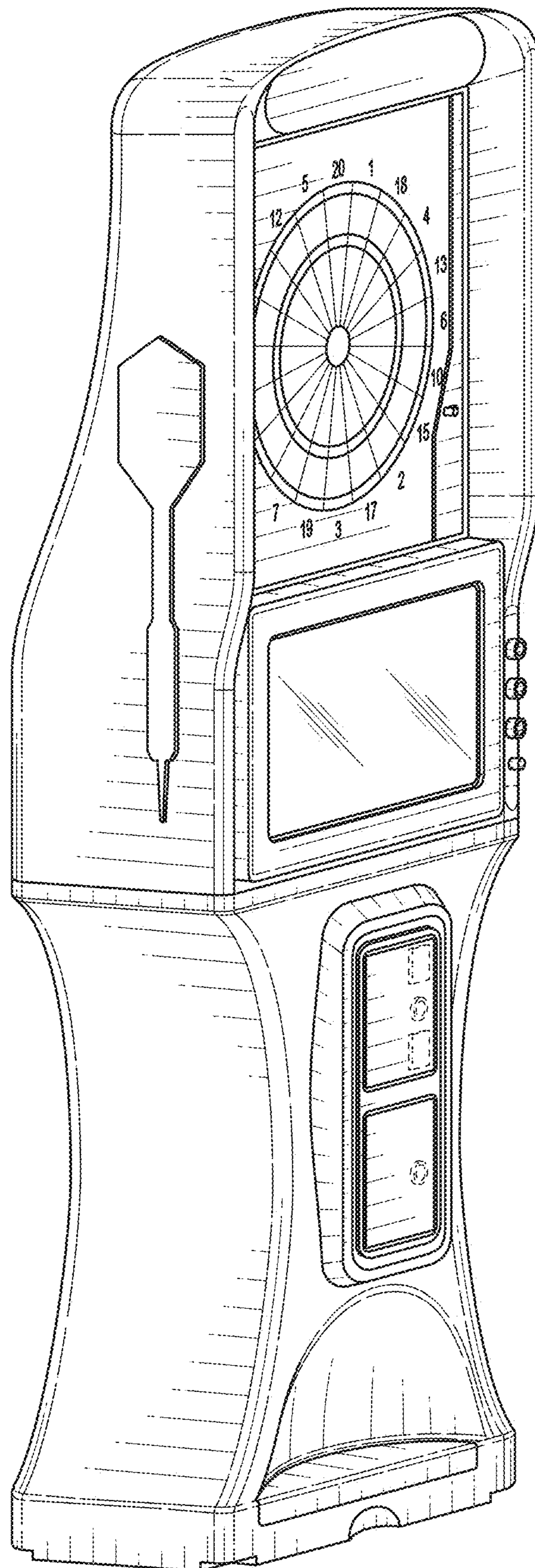


FIG. 1

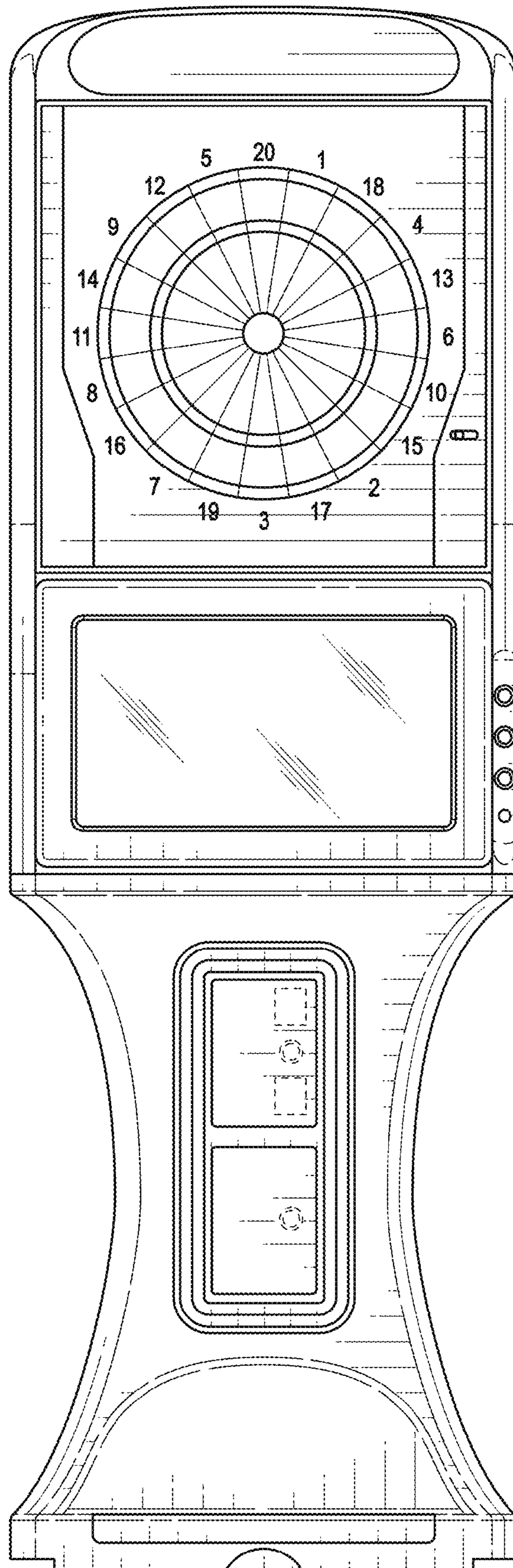


FIG. 2

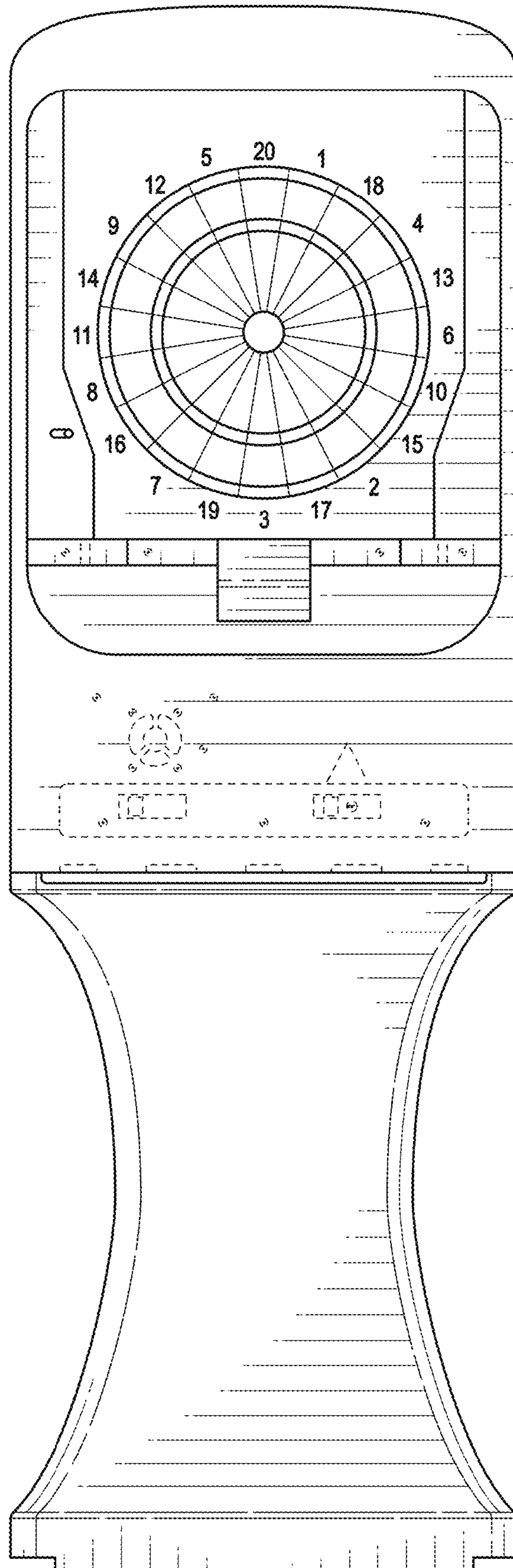


FIG. 3

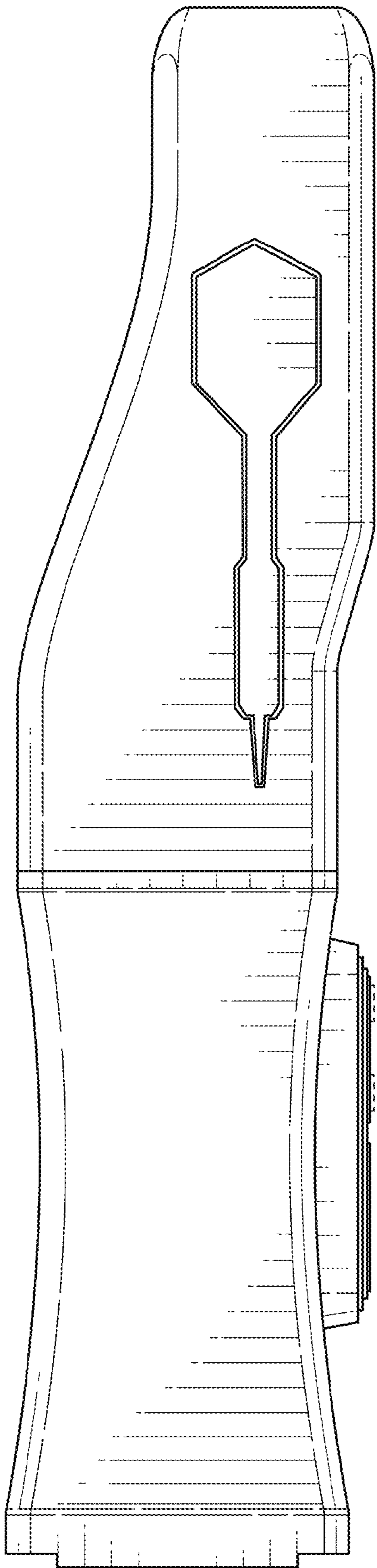


FIG. 4

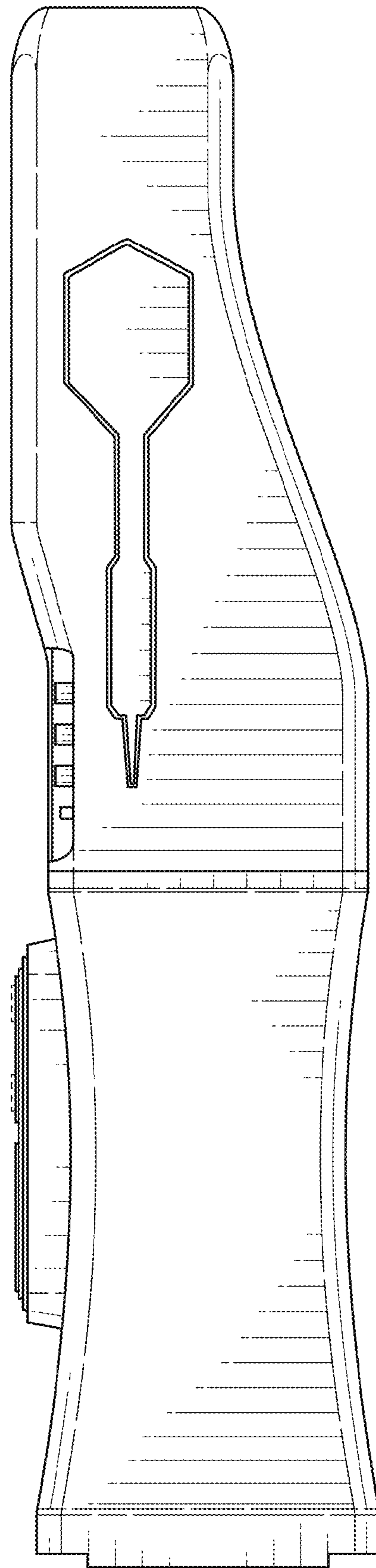


FIG. 5

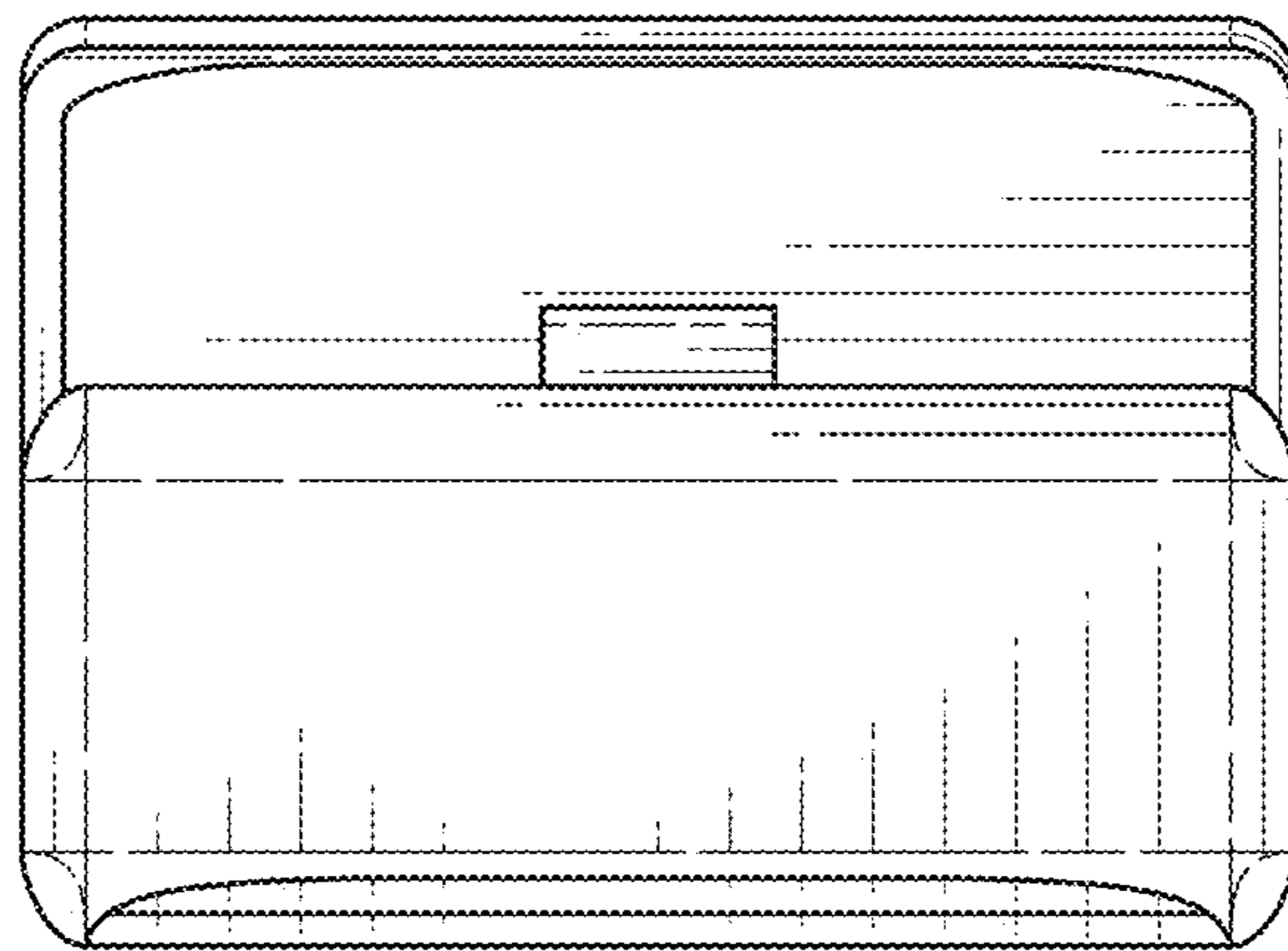


FIG. 6