



US00D883380S

(12) **United States Design Patent**  
**Cai**

(10) **Patent No.:** **US D883,380 S**

(45) **Date of Patent:** **\*\* May 5, 2020**

(54) **BOARD**

(71) Applicant: **AUTEL INTELLIGENT TECHNOLOGY CORP., LTD.**,  
Shenzhen, Guangdong (CN)

(72) Inventor: **Zhenyu Cai**, Guangdong (CN)

(73) Assignee: **AUTEL INTELLIGENT TECHNOLOGY CORP., LTD.**,  
Shenzhen (CN)

(\*\*) Term: **15 Years**

(21) Appl. No.: **29/654,014**

(22) Filed: **Jun. 20, 2018**

(30) **Foreign Application Priority Data**

Dec. 25, 2017 (CN) ..... 2017 3 0666480

(51) **LOC (12) Cl.** ..... **19-06**

(52) **U.S. Cl.**  
USPC ..... **D19/113**

(58) **Field of Classification Search**  
USPC ..... D19/75, 91, 20-24, 113, 114; D20/10,  
D20/39, 40, 41, 42; D25/140, 141;  
D10/61; D6/310, 311, 643, 683;  
D8/300, DIG. 1  
CPC .... B43L 1/00; B43L 1/008; B43L 1/08; B43L  
1/04; B43L 5/00; B43L 5/02; G09F 1/12;  
G09F 15/00; G09F 15/0006; G09F  
15/0062; G09F 15/0068; G09F 15/0012;  
G09F 2007/1834; G09F 2007/1856  
See application file for complete search history.

(56) **References Cited**

U.S. PATENT DOCUMENTS

533,841 A \* 2/1895 Chappell ..... G09F 15/0012  
40/606.09

2,599,129 A \* 6/1952 Michael ..... G09F 15/0006  
40/624

2,806,308 A \* 9/1957 Curell ..... G09F 7/00  
40/624

2,925,676 A \* 2/1960 Yetman ..... G09F 13/0404  
40/624

3,176,418 A \* 4/1965 Ramseur, Jr. .... G09F 15/0006  
40/624

D202,164 S \* 9/1965 Hance ..... D20/41

D204,295 S \* 4/1966 Brekke ..... D7/622

D270,358 S \* 8/1983 Errigo ..... D20/10

D290,935 S \* 7/1987 Williams ..... D8/315

D415,205 S \* 10/1999 Canton Gongora ..... D20/10

D420,223 S \* 2/2000 Chipman ..... D6/332

6,230,427 B1 \* 5/2001 McDaniel ..... G09F 15/00  
40/624

7,036,798 B1 \* 5/2006 Olson ..... E01F 7/025  
239/289

D635,976 S \* 4/2011 Lee ..... D14/374

D669,532 S \* 10/2012 Killian ..... D19/113

D680,087 S \* 4/2013 Fujii ..... D14/126

D687,896 S \* 8/2013 Gaspar dos Santos ..... D20/39

8,517,329 B2 \* 8/2013 Nash ..... B43L 1/00  
248/441.1

(Continued)

*Primary Examiner* — Elizabeth A. Albert

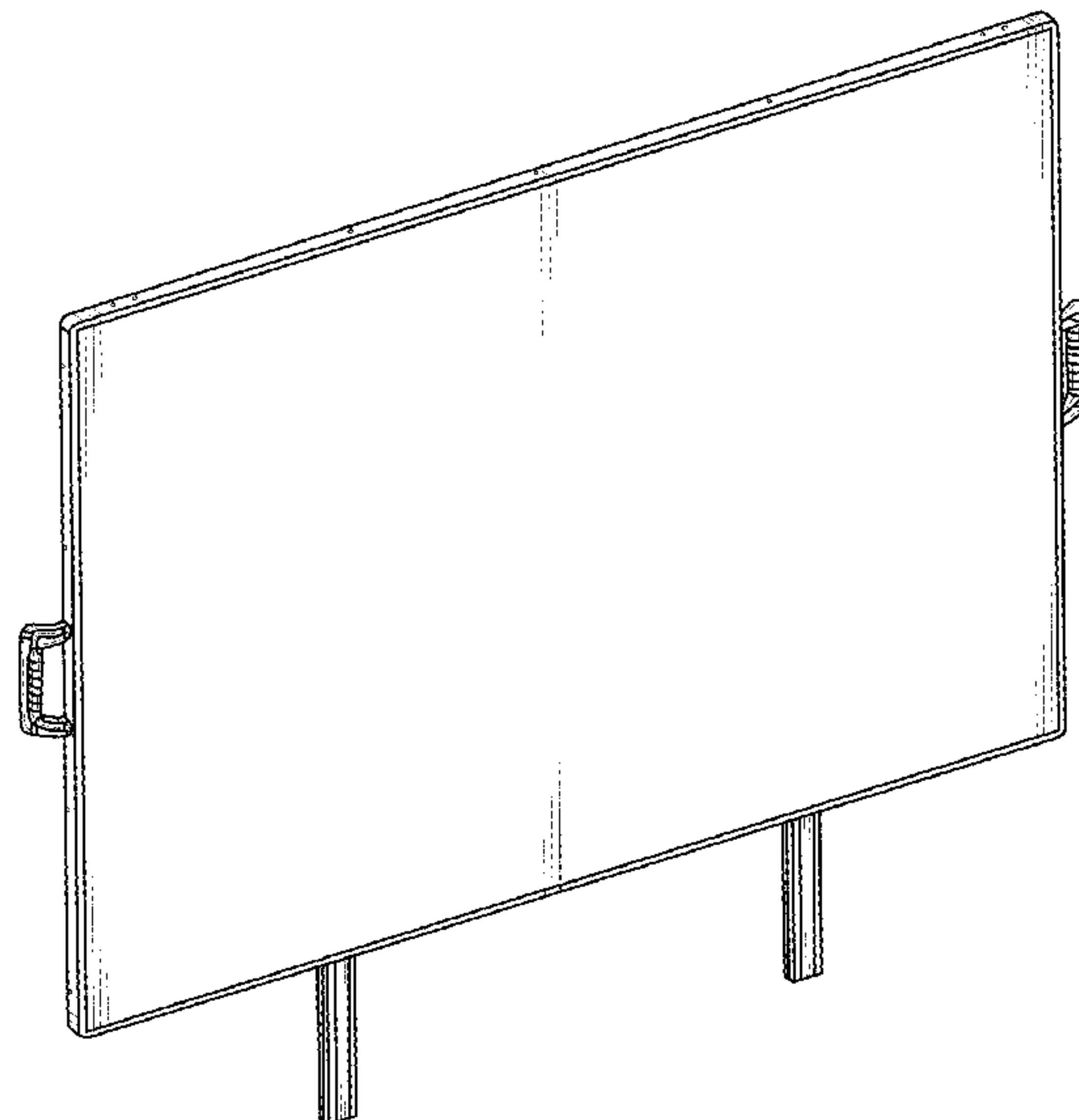
(57) **CLAIM**

The ornamental design for a board, as shown and described.

**DESCRIPTION**

FIG. 1 is a perspective view of a board showing our new design;  
FIG. 2 is another perspective view thereof;  
FIG. 3 is a front elevational view thereof;  
FIG. 4 is a rear elevational view thereof;  
FIG. 5 is a left side elevational view thereof;  
FIG. 6 is a right side elevational view thereof;  
FIG. 7 is a top plan view thereof; and,  
FIG. 8 is a bottom plan view thereof.

**1 Claim, 5 Drawing Sheets**



(56)

**References Cited**

U.S. PATENT DOCUMENTS

D714,389 S *	9/2014	Lee	.....	D20/42
D719,612 S *	12/2014	Aleman	.....	D20/41
D733,367 S *	6/2015	Keene	.....	D25/48.8
D782,478 S *	3/2017	Matsumoto	.....	D14/374
D809,600 S *	2/2018	Anderson	.....	D19/113
2015/0298490 A1 *	10/2015	Takechi	.....	B43L 1/04 361/679.01

\* cited by examiner

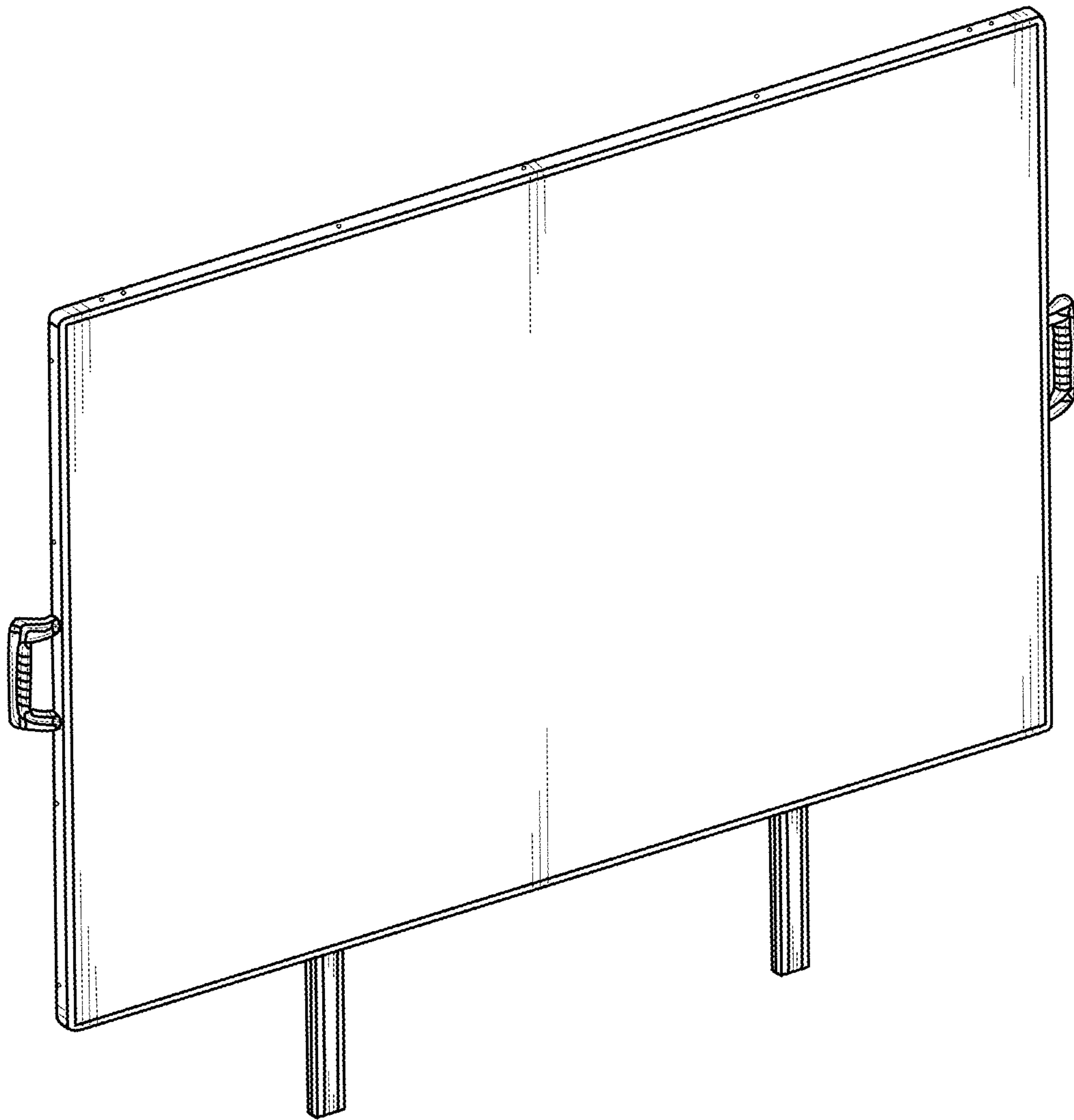


FIG. 1

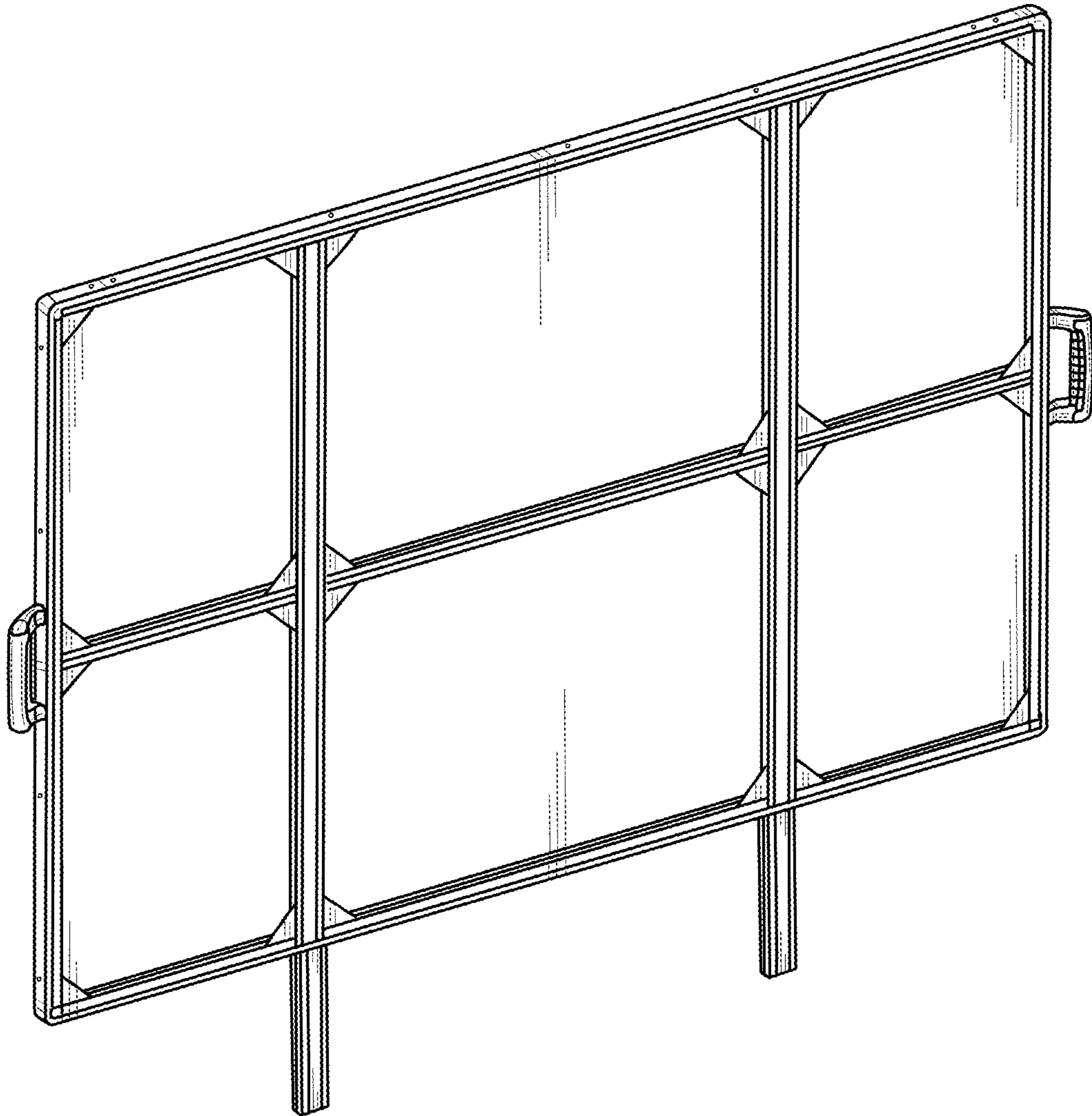


FIG. 2

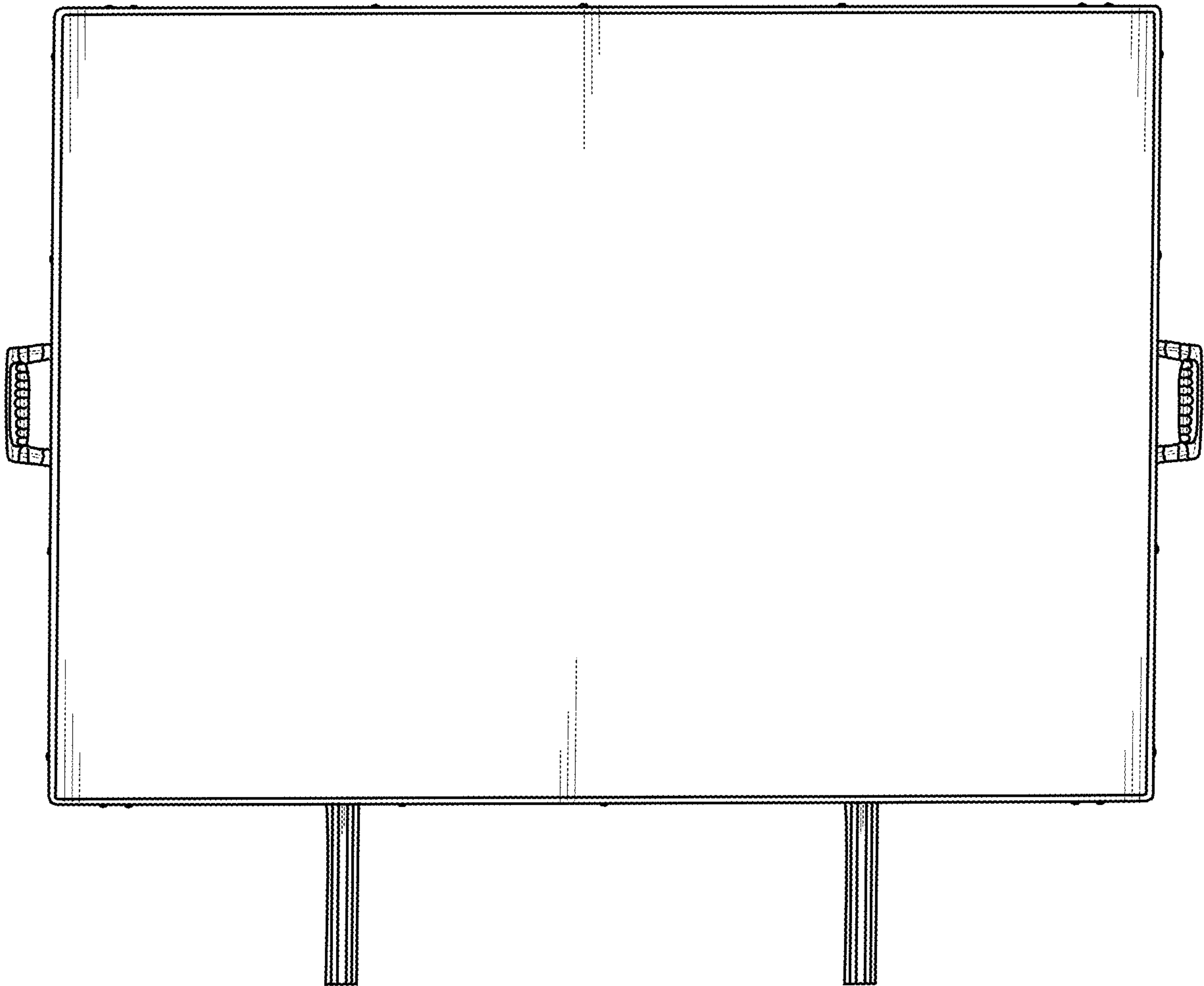


FIG. 3

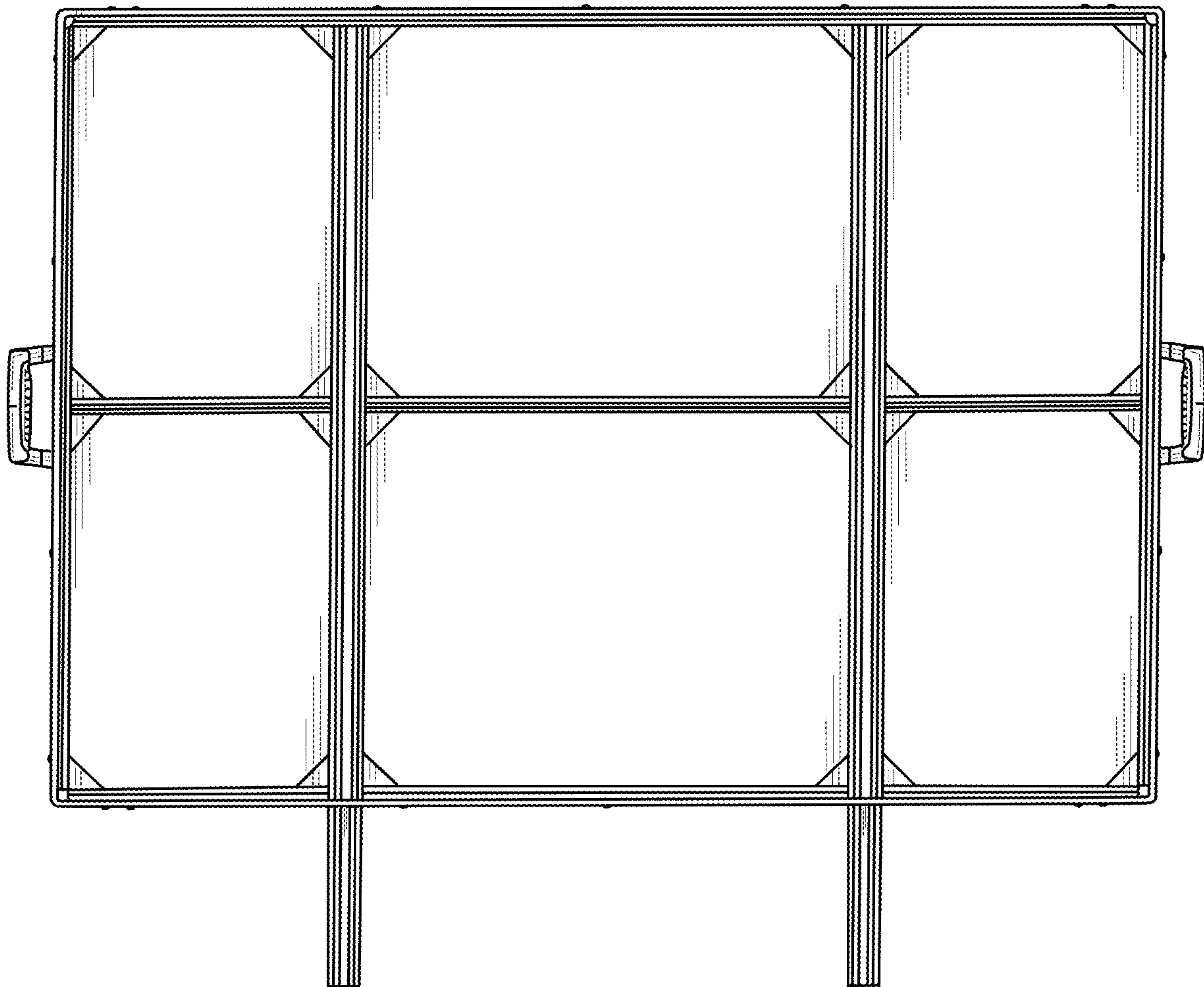


FIG. 4





FIG. 5

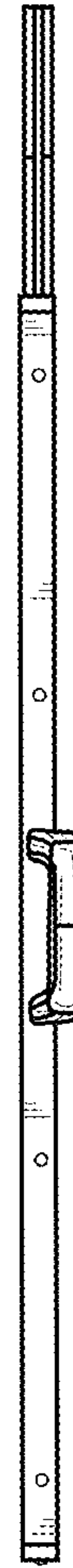


FIG. 6



FIG. 7



FIG. 8