



US00D883378S

(12) **United States Design Patent**
Lorenzo

(10) **Patent No.:** **US D883,378 S**

(45) **Date of Patent:** **** May 5, 2020**

(54) **DISPOSITION INDICATOR**

(71) Applicant: **Blickman Industries LLC**, New York, NY (US)

(72) Inventor: **Anthony F. Lorenzo**, New York, NY (US)

(73) Assignee: **Blickman Industries LLC**, New York, NY (US)

(**) Term: **15 Years**

(21) Appl. No.: **29/673,539**

(22) Filed: **Dec. 14, 2018**

(51) **LOC (12) Cl.** **19-99**

(52) **U.S. Cl.**
USPC **D19/99**; D8/394; D10/109.1; D20/22; D24/186

(58) **Field of Classification Search**
USPC D8/394, 395; D10/109.1; D19/99, 932, D19/933; D20/22, 27, 42; D24/186
CPC G09F 7/20; G09F 7/00; G09F 7/12; G09F 2007/122; A61B 5/4824; A61B 90/90; A61B 10/00; A61B 5/16; A61B 5/483; A47L 15/4293; A47L 15/4236; A47L 15/42; A47L 15/4257
See application file for complete search history.

(56) **References Cited**

U.S. PATENT DOCUMENTS

| | | | | |
|-----------|-----|---------|------------------|--------|
| 4,129,954 | A | 12/1978 | Hulteen | |
| D290,397 | S | 6/1987 | Starkey | |
| 4,885,857 | A | 12/1989 | Leflet | |
| 5,018,526 | A | 5/1991 | Gaston-Johansson | |
| D328,105 | S * | 7/1992 | Breen | D19/65 |
| 5,467,545 | A | 11/1995 | Zillner | |
| 5,634,472 | A | 6/1997 | Raghuprasad | |
| D391,297 | S * | 2/1998 | Thompson, Jr. | D19/32 |
| 6,146,334 | A | 11/2000 | Laserow | |
| D493,537 | S | 7/2004 | Abric et al. | |

| | | | | |
|--------------|-----|---------|---------------|--------|
| 7,516,746 | B1 | 4/2009 | Davis | |
| D663,358 | S * | 7/2012 | Brounstein | D19/99 |
| 9,119,522 | B1 | 9/2015 | Barksdale | |
| D757,947 | S | 5/2016 | Frieze et al. | |
| D815,203 | S * | 4/2018 | Sato | D19/99 |
| 2017/0345345 | A1 | 11/2017 | Jones | |

OTHER PUBLICATIONS

U.S. Appl. No. 16/261,940, filed Jan. 30, 2019.
Design U.S. Appl. No. 29/673,541, filed Dec. 14, 2018.

* cited by examiner

Primary Examiner — Antoine Duval Davis
(74) *Attorney, Agent, or Firm* — Paradice and Li LLP

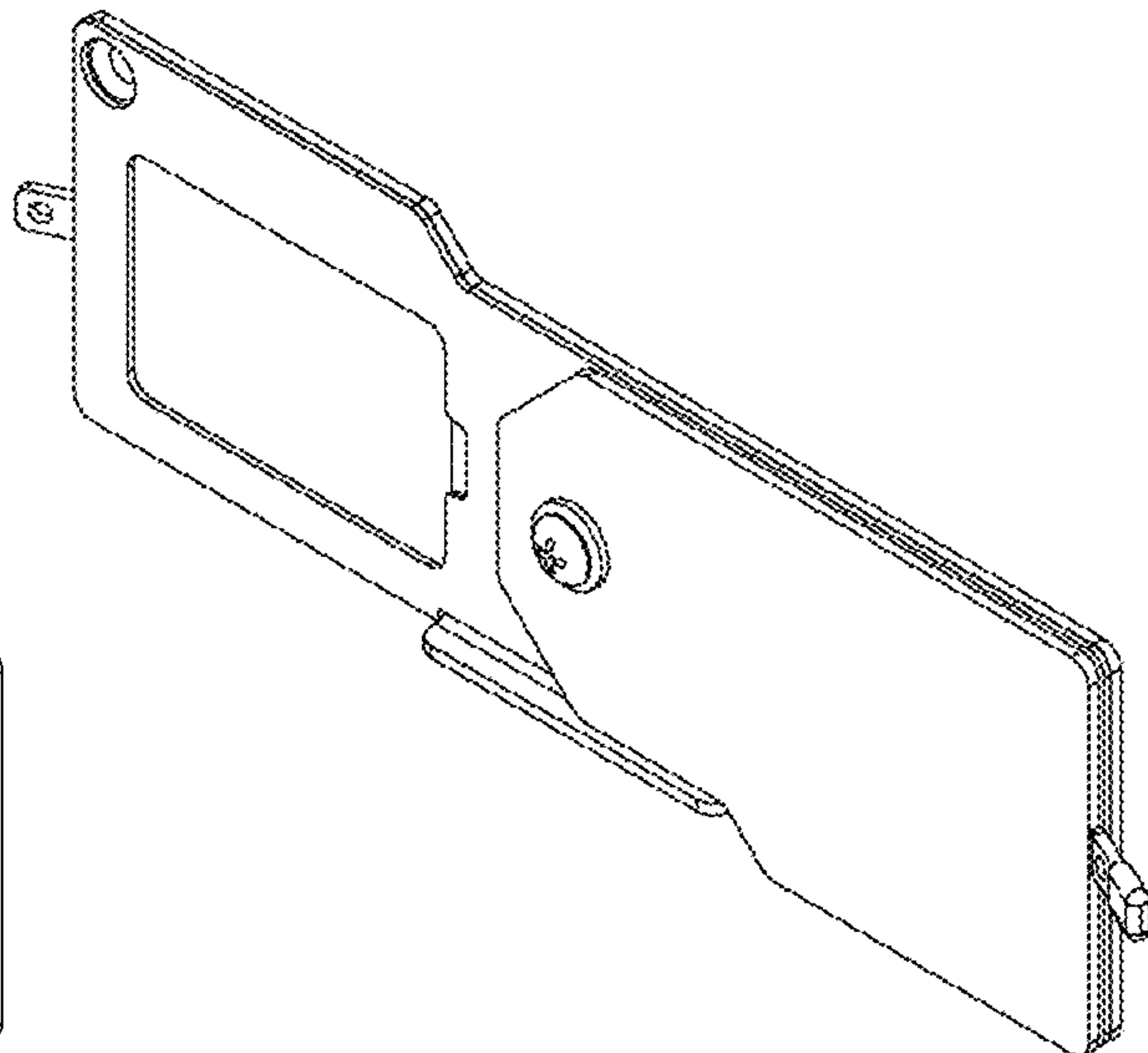
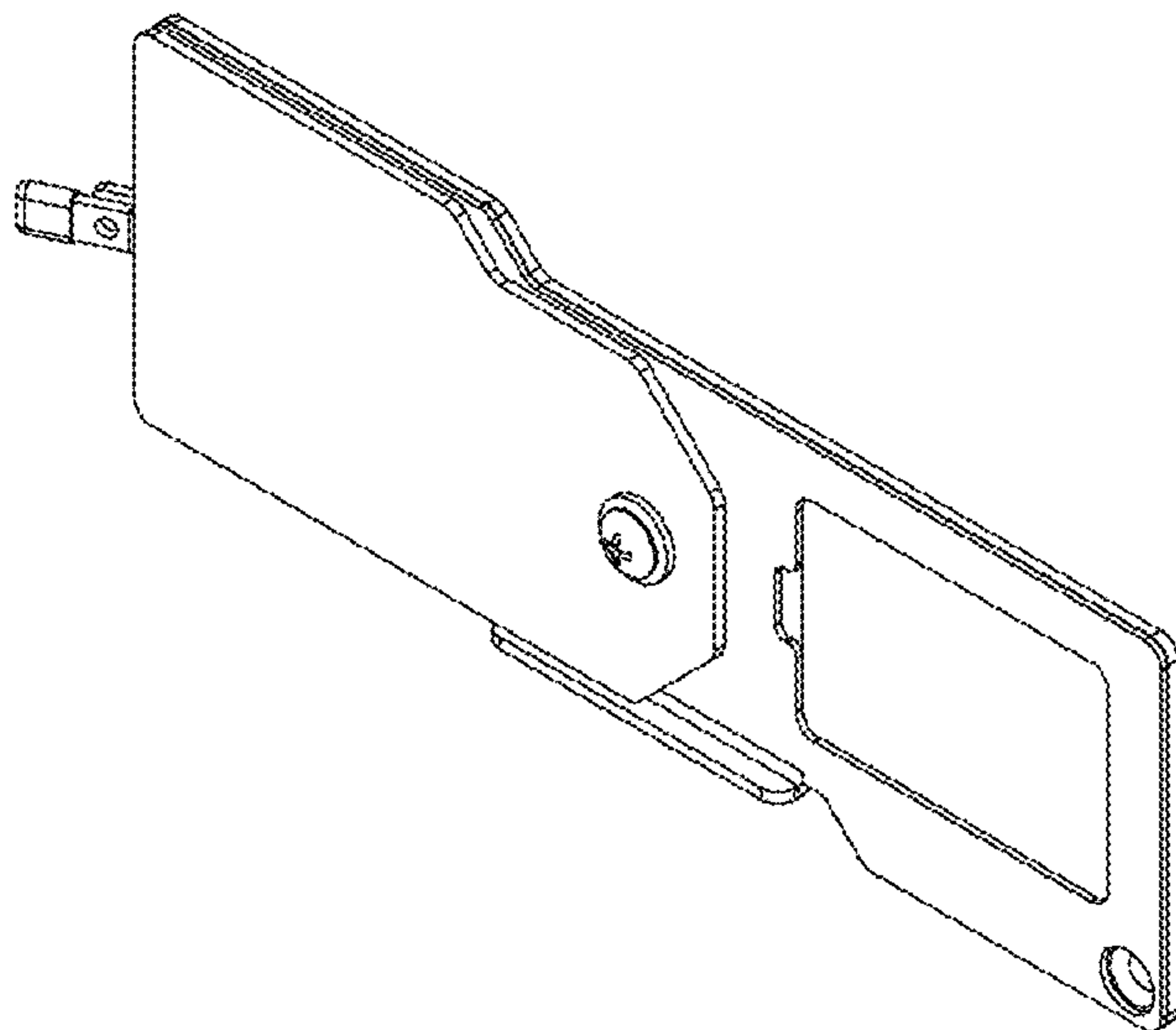
(57) **CLAIM**

The ornamental design for a disposition indicator, as shown and described.

DESCRIPTION

FIG. 1 is a front perspective view of the invention having a window display in a first status reporting position.
FIG. 2 is a front perspective view of the invention having the window display in a second status reporting position.
FIG. 3 is a front plan view of the invention having the window display in the first status reporting position.
FIG. 4 is a front plan view of the invention having the window display in the second status reporting position.
FIG. 5 is a left side plan view of the invention in the first status reporting position.
FIG. 6 is a right side plan view of the invention in the first status reporting position.
FIG. 7 is a top plan view of the invention in the first status reporting position.
FIG. 8 is a bottom plan view of the invention in the first status reporting position; and,
FIG. 9 is a rear plan view of the invention in the first status reporting position.

1 Claim, 7 Drawing Sheets



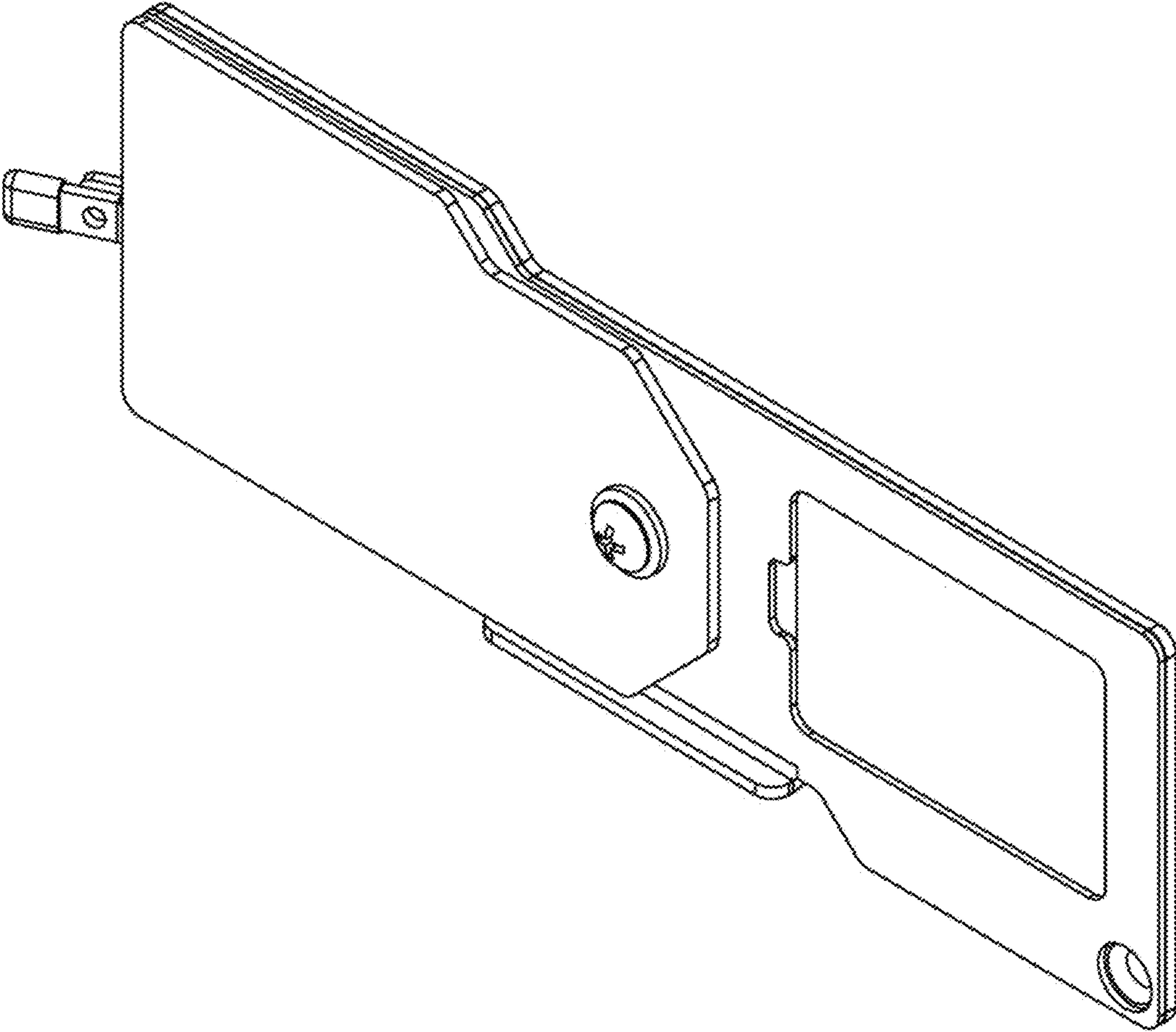


FIG. 1

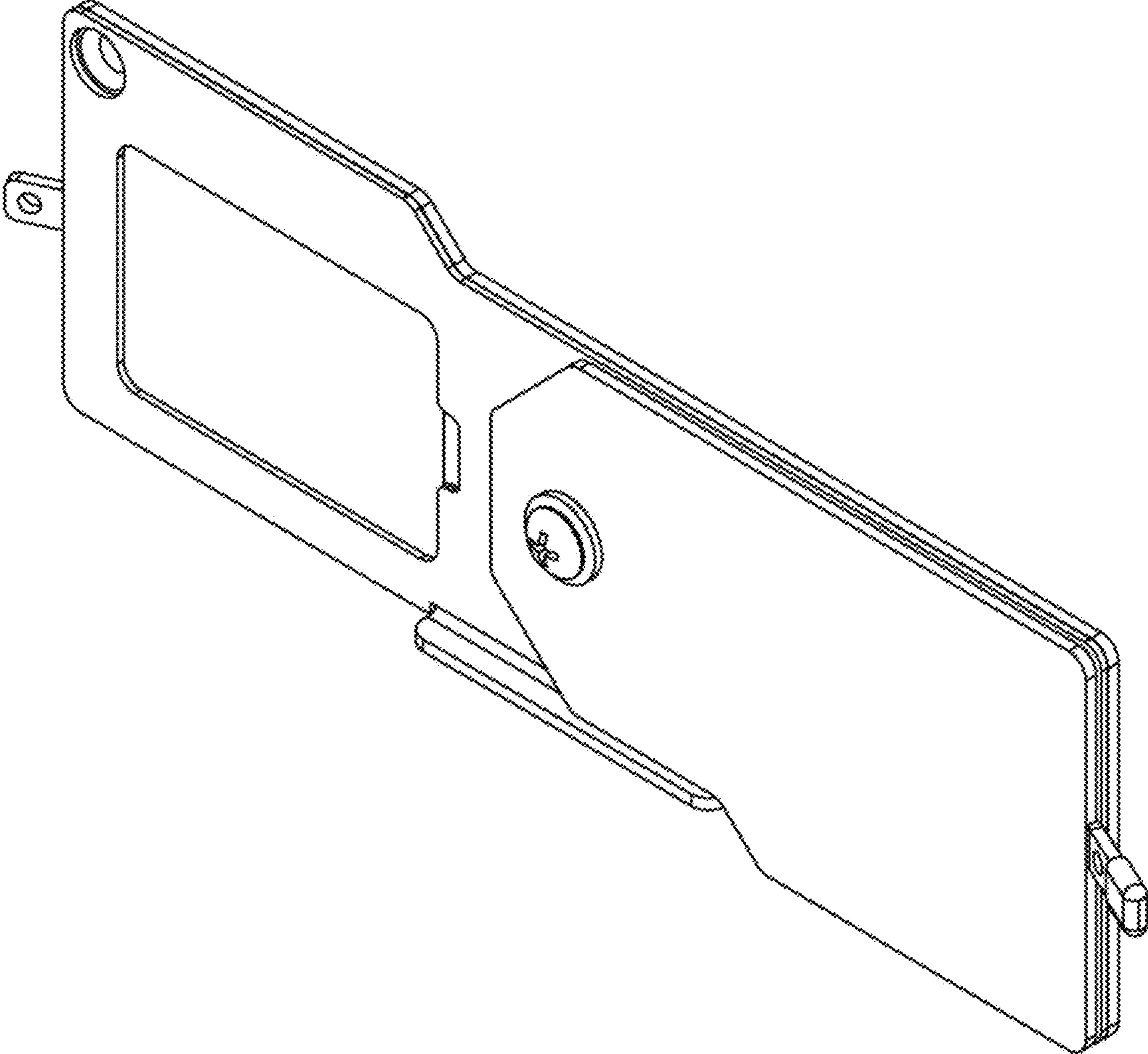


FIG. 2

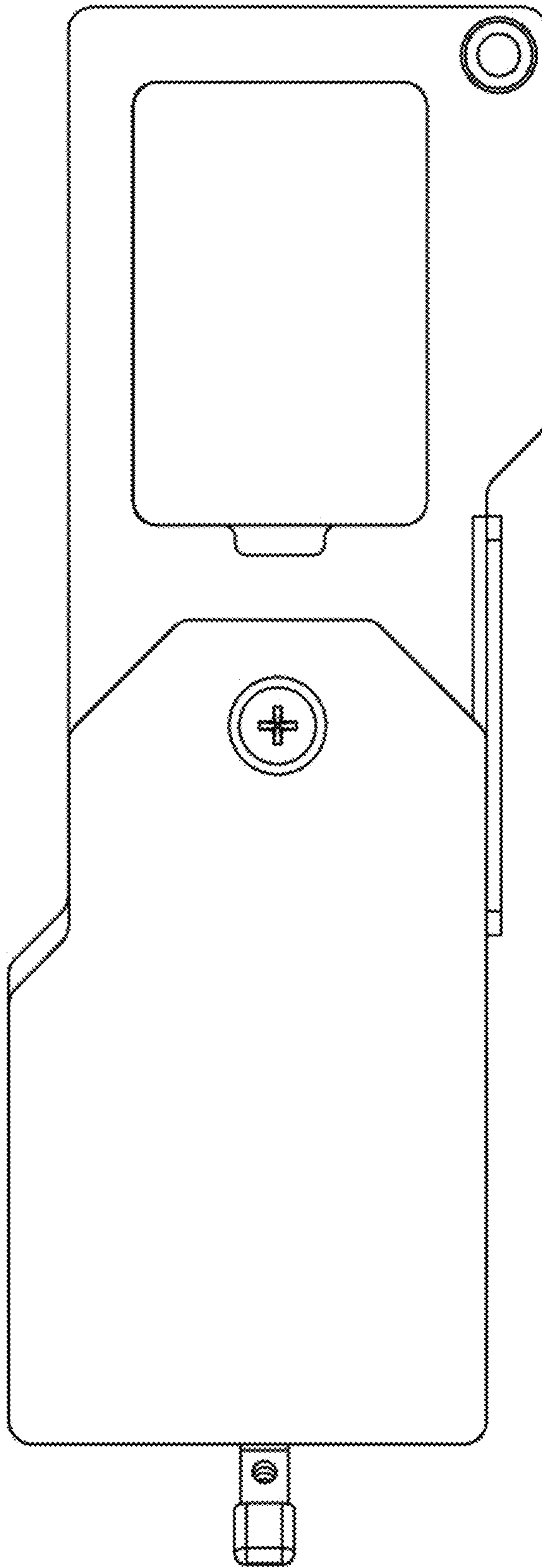


FIG. 3

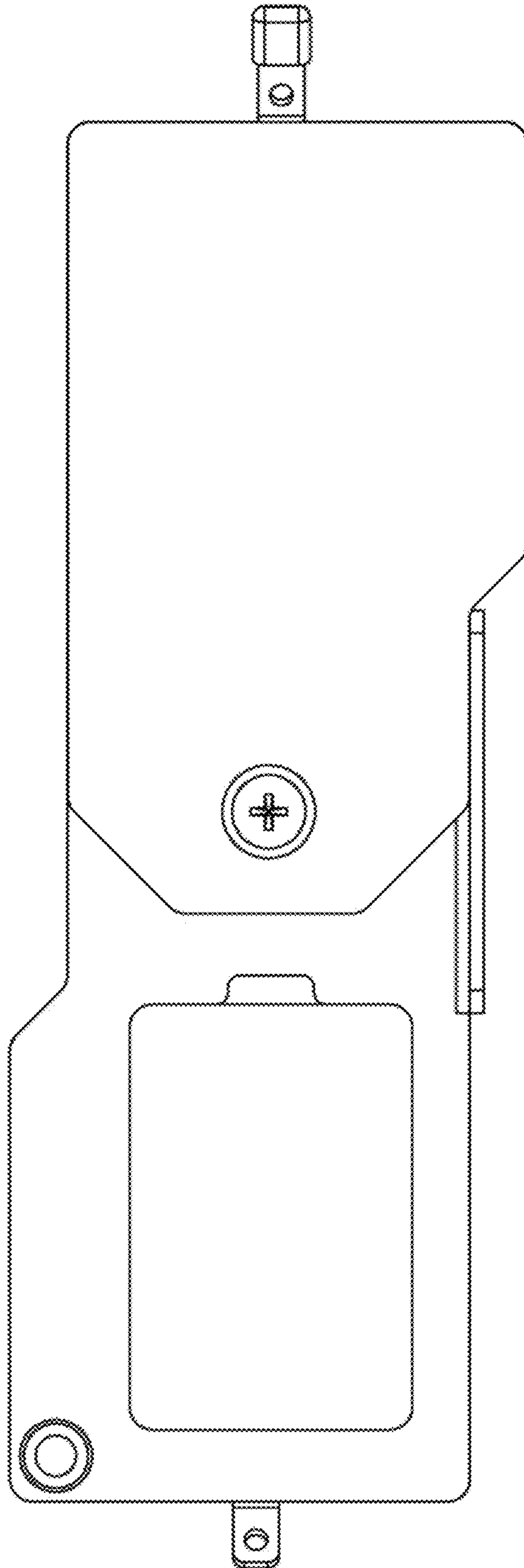


FIG. 4

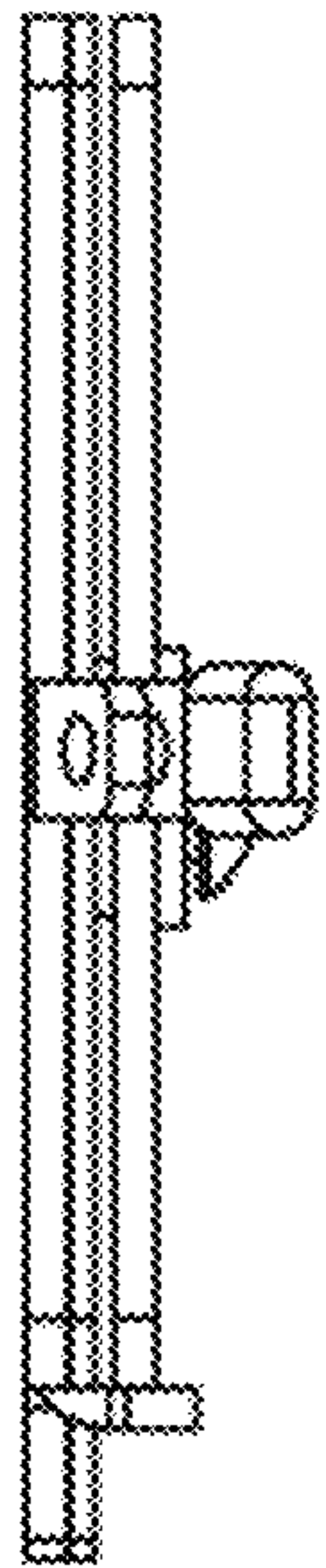


FIG. 5

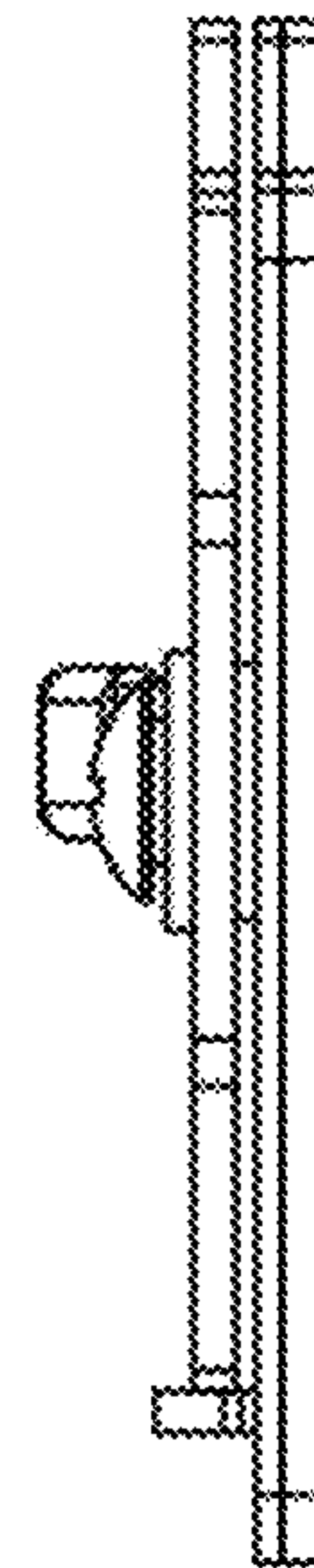


FIG. 6

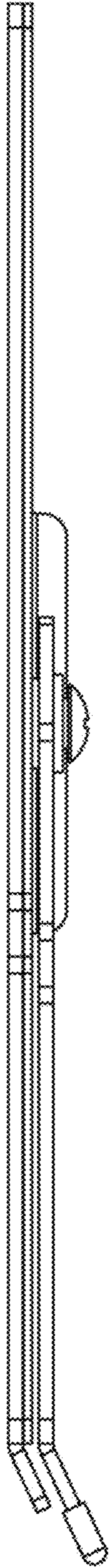


FIG. 7

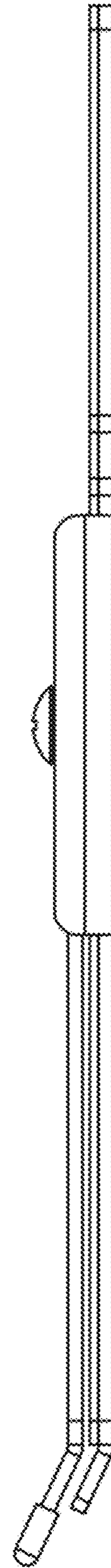


FIG. 8

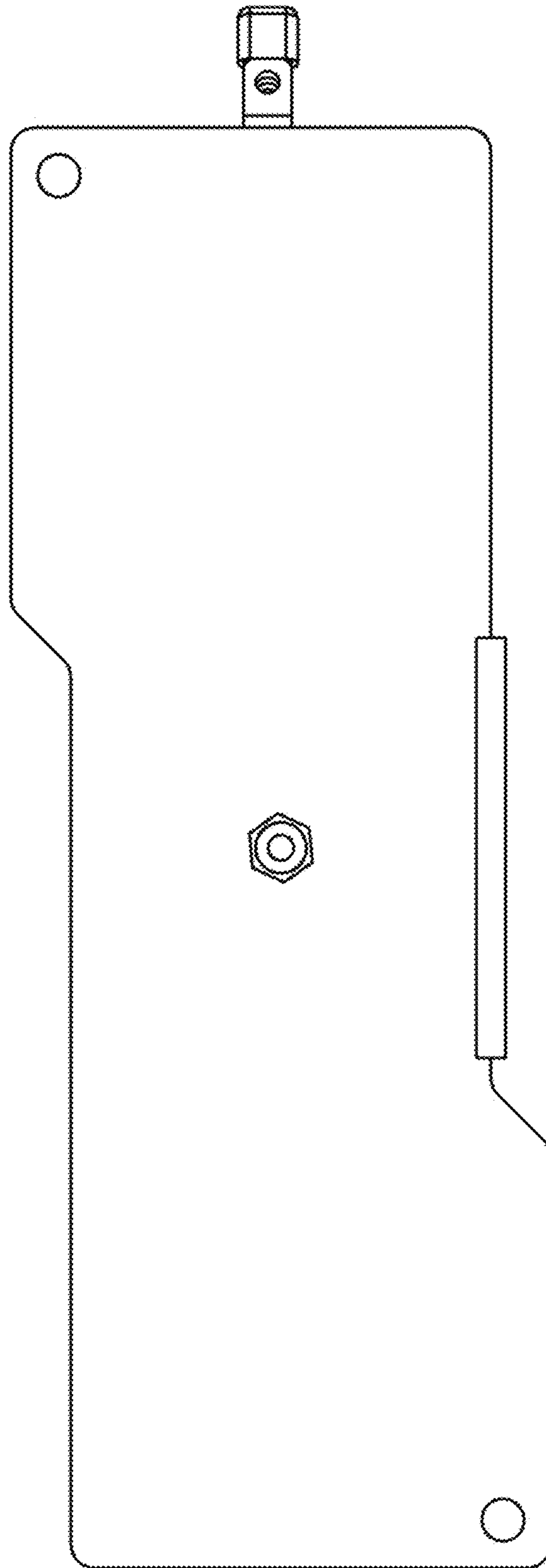


FIG. 9