



US00D883377S

(12) **United States Design Patent**
Jin et al.

(10) **Patent No.:** **US D883,377 S**
(45) **Date of Patent:** **** May 5, 2020**

- (54) **PAPER TRAY**
- (71) Applicants: **Huang Jin**, Ningbo (CN); **Sosha Kay Morris**, Bella Vista, AR (US)
- (72) Inventors: **Huang Jin**, Ningbo (CN); **Sosha Kay Morris**, Bella Vista, AR (US)
- (73) Assignee: **Aiven On Stationary Co., LTD**, Ninghai (CN)
- (**) Term: **15 Years**
- (21) Appl. No.: **29/673,561**
- (22) Filed: **Dec. 15, 2018**
- (51) **LOC (12) Cl.** **19-02**
- (52) **U.S. Cl.**
USPC **D19/92**
- (58) **Field of Classification Search**
USPC D19/75-92, 99, 135; D3/206, 304, 306, D3/310, 315; D6/675.5, 683, 683.1; D7/631, 637-641; D9/427, 432, 611; D14/253
CPC .. B43M 99/00; B43M 99/001; B43M 99/003; B43M 99/006; B43M 99/007; B43M 99/008; B43M 99/009; B42D 3/12; B42D 3/16; B42D 3/18; B43K 23/001; B43K 23/002; A47B 55/00; A47B 63/00
See application file for complete search history.

3,482,708 A *	12/1969	Levit	A47B 87/0261
			211/126.12
3,648,849 A *	3/1972	Harris	A47B 63/00
			211/126.12
4,074,810 A *	2/1978	Juergens	B42F 7/12
			211/11
D249,048 S *	8/1978	Drell	D19/92
4,253,402 A *	3/1981	Carrig	B43M 99/008
			108/27
D259,428 S *	6/1981	Macowski	D19/92
D260,102 S *	8/1981	Evans	D19/92
D272,637 S *	2/1984	Barbieri	D19/92
D275,771 S *	10/1984	Evans	D18/49
D279,847 S *	7/1985	Hanover	D14/447
4,534,475 A *	8/1985	Mayo	B42F 7/12
			211/126.12
D285,218 S *	8/1986	Mayo	D19/75
D288,784 S *	3/1987	Nathan	D3/304
D296,706 S *	7/1988	Evans	D19/92
D302,703 S *	8/1989	Foran	D19/92
D311,931 S *	11/1990	Evenson	D19/86
D319,473 S *	8/1991	Aaldenberg	D19/86
D327,503 S *	6/1992	Szablak	D19/86
D327,504 S *	6/1992	Breen	D19/86
D334,593 S *	4/1993	Evenson	D19/75
D335,505 S *	5/1993	Chan	D19/75
D337,127 S *	7/1993	Aaldenberg	D19/86
D338,917 S *	8/1993	Aaldenberg	D19/86
D348,694 S *	7/1994	Evenson	D19/86

(Continued)

Primary Examiner — Elizabeth A. Albert
(74) *Attorney, Agent, or Firm* — Jeff Cameron

(57) **CLAIM**

The ornamental design for a paper tray, as shown.

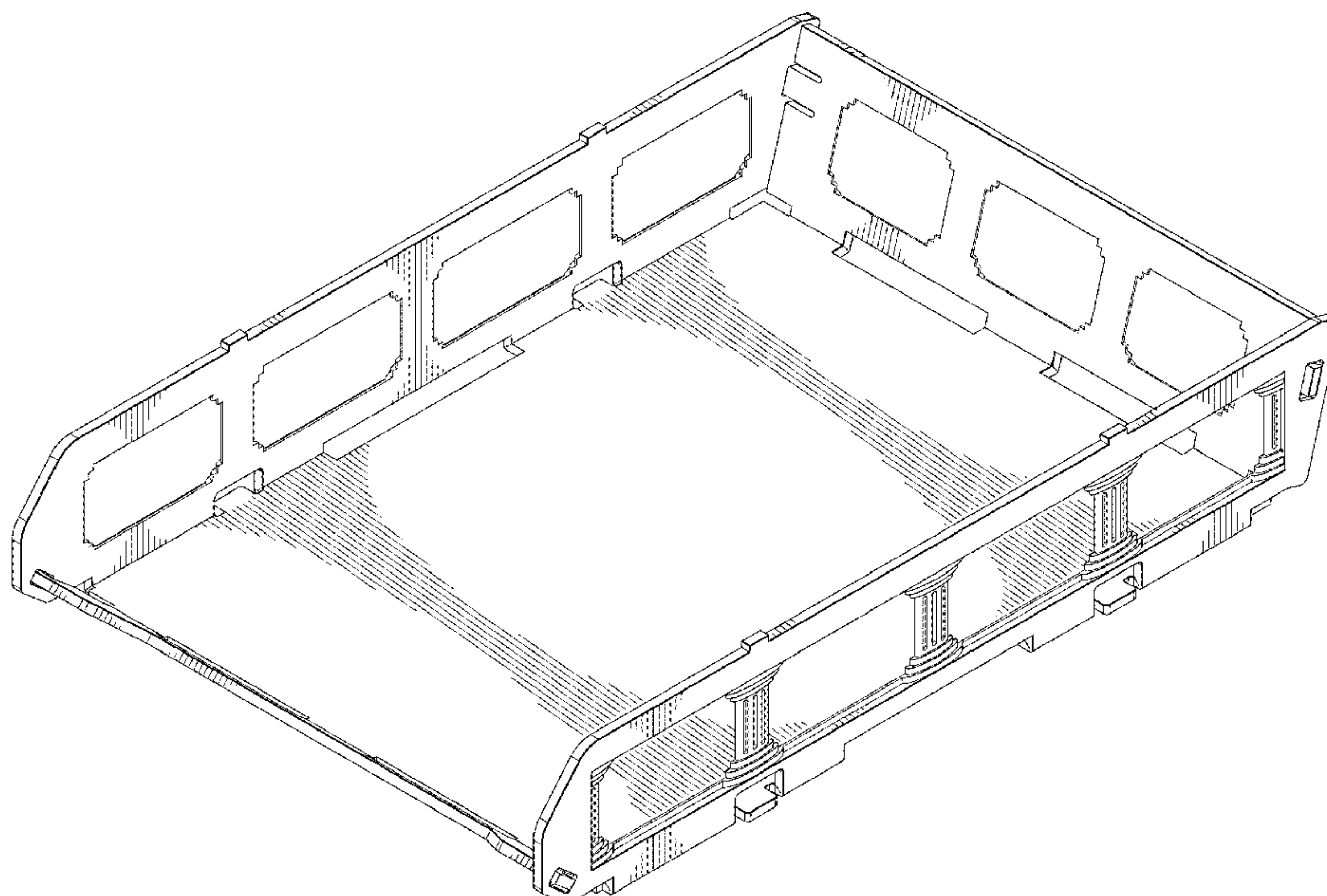
DESCRIPTION

FIG. 1 is a front perspective view of a paper tray showing our new design;
FIG. 2 is a top plan view thereof; and,
FIG. 3 is a side elevational view thereof.

1 Claim, 3 Drawing Sheets

(56) **References Cited**
U.S. PATENT DOCUMENTS

D112,771 S *	1/1939	Braun et al.	D19/92
2,901,120 A *	8/1959	Abrahamson	B42F 7/12
			211/126.12
3,028,975 A *	4/1962	Bullock	B42F 7/12
			211/126.5



(56)

References Cited

U.S. PATENT DOCUMENTS

5,363,974 A * 11/1994 Chan B42F 7/12
206/555
D366,170 S * 1/1996 Temple D19/92
5,733,025 A * 3/1998 Jesse, Sr. A47B 87/0253
312/223.3
D445,136 S * 7/2001 Saylor D19/86
D480,111 S * 9/2003 White D19/86
D492,360 S * 6/2004 Hardy D19/92
D501,226 S * 1/2005 DeCarlo D19/86
D522,061 S * 5/2006 Chen D19/92
D523,088 S * 6/2006 Chien D19/92
D573,654 S * 7/2008 Hardy D19/92
D665,847 S * 8/2012 Tsai D19/92
D780,848 S * 3/2017 Greenspon D19/92
D792,503 S * 7/2017 Helweg D17/20

* cited by examiner

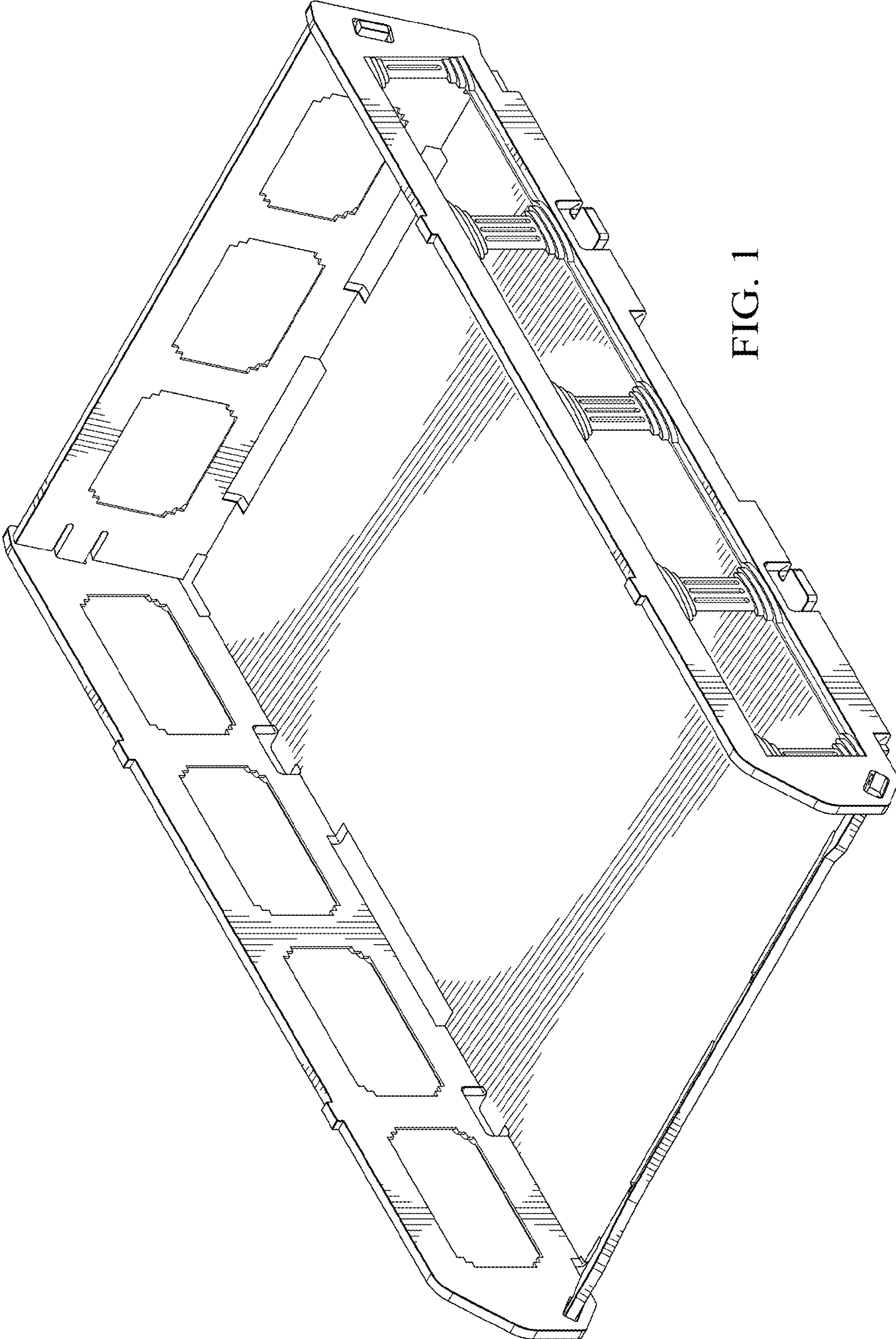


FIG. 1

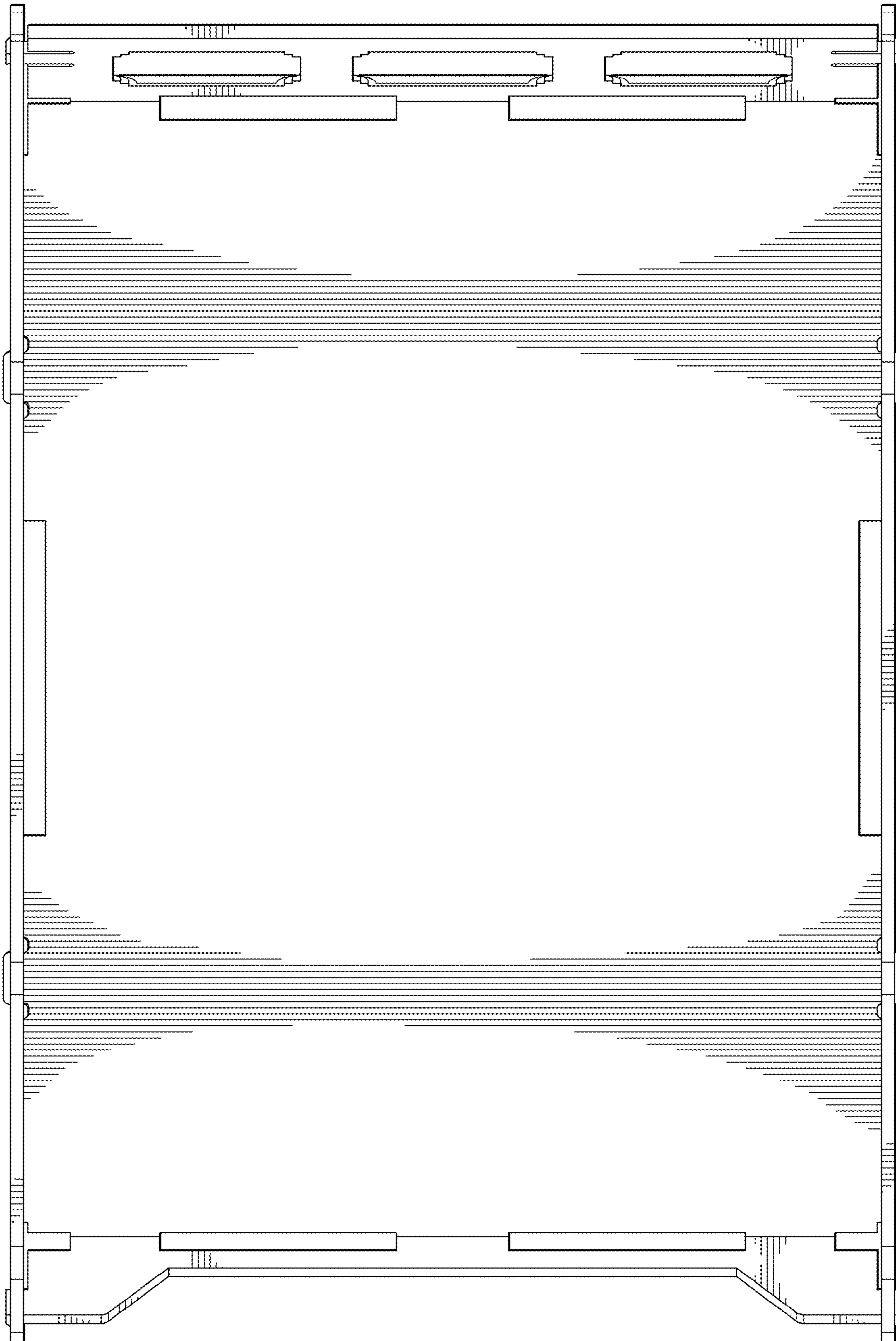


FIG. 2

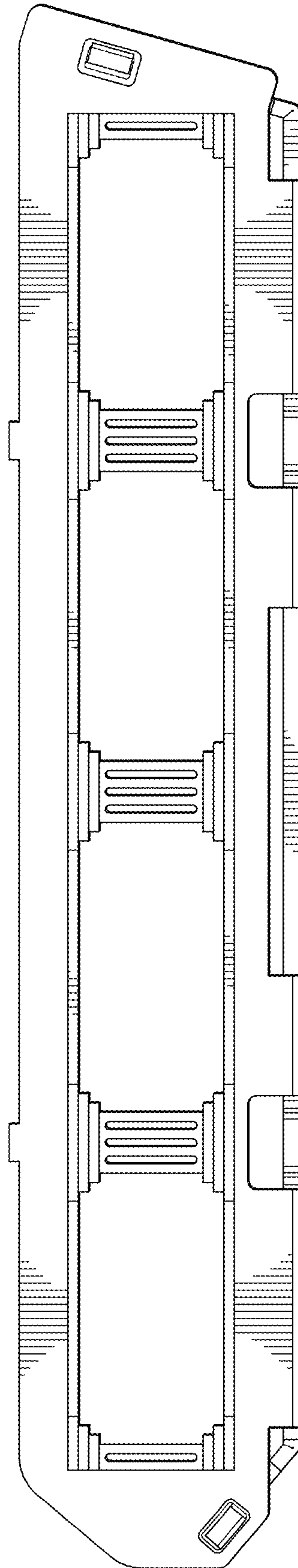


FIG. 3