



US00D883376S

(12) **United States Design Patent**
Jin et al.

(10) **Patent No.:** **US D883,376 S**

(45) **Date of Patent:** **** May 5, 2020**

- (54) **PEN AND PENCIL HOLDER**
- (71) Applicants: **Huang Jin**, Ningbo (CN); **Sosha Kay Morris**, Bella Vista, AR (US)
- (72) Inventors: **Huang Jin**, Ningbo (CN); **Sosha Kay Morris**, Bella Vista, AR (US)
- (**) Term: **15 Years**
- (21) Appl. No.: **29/673,562**
- (22) Filed: **Dec. 15, 2018**
- (51) **LOC (12) Cl.** **19-06**
- (52) **U.S. Cl.**
USPC **D19/85**
- (58) **Field of Classification Search**
USPC D19/75–92, 99, 135; D3/206, 304, 306, D3/310, 315; D6/675.5, 683, 683.1; D7/631, 637–641; D9/427, 432, 611; D14/253
CPC .. B43M 99/00; B43M 99/001; B43M 99/003; B43M 99/006; B43M 99/007; B43M 99/008; B43M 99/009; B42D 3/12; B42D 3/16; B42D 3/18; B43K 23/001; B43K 23/002; A47B 55/00; A47B 63/00
See application file for complete search history.

- D374,528 S * 10/1996 Zackson D34/1
- D421,824 S * 3/2000 Hornyak D34/1
- D428,359 S * 7/2000 Jiquel D11/155
- D444,177 S * 6/2001 Carretta D19/77
- D457,701 S * 5/2002 Slear D34/1
- 6,585,210 B1 * 7/2003 Lee A47F 9/042
211/69.6
- D493,592 S * 7/2004 Arbor D34/7
- D556,263 S * 11/2007 Gusdorf D19/90
- D556,627 S * 12/2007 Arev D11/155
- D558,486 S * 1/2008 Hoang D6/661
- D601,201 S * 9/2009 Nelson D19/90
- 7,661,581 B2 * 2/2010 Lin B42D 5/006
232/1 D
- D651,824 S * 1/2012 Hageman D6/683
- D681,299 S * 4/2013 Lai D19/77
- 8,839,553 B2 * 9/2014 Toro A01G 9/02
220/23.87
- 9,066,586 B2 * 6/2015 Skovira B65D 21/083
- D734,667 S * 7/2015 Schotsman D11/155
- D771,343 S * 11/2016 Colwell D34/6
- D817,578 S * 5/2018 Thuma D34/1
- D835,373 S * 12/2018 Busch D34/7
- D848,700 S * 5/2019 Busch D34/7
- 2002/0148934 A1 * 10/2002 Hartung B43M 99/00
248/137
- 2017/0088348 A1 * 3/2017 Busch B65F 1/0053

* cited by examiner

Primary Examiner — Elizabeth A. Albert

(74) *Attorney, Agent, or Firm* — Jeff Cameron

(56) **References Cited**

U.S. PATENT DOCUMENTS

- D34,529 S * 5/1901 Berolzheimer D3/206
- 786,338 A * 4/1905 Zimmerman B65D 1/165
220/671
- D51,626 S * 12/1917 Bennett D11/155
- D185,509 S * 6/1959 Pedersen D6/301
- D219,721 S * 1/1971 Banel D3/314
- 4,884,713 A * 12/1989 Handler B43M 99/008
220/23.4
- 5,377,850 A * 1/1995 Liaw B43M 99/008
211/11

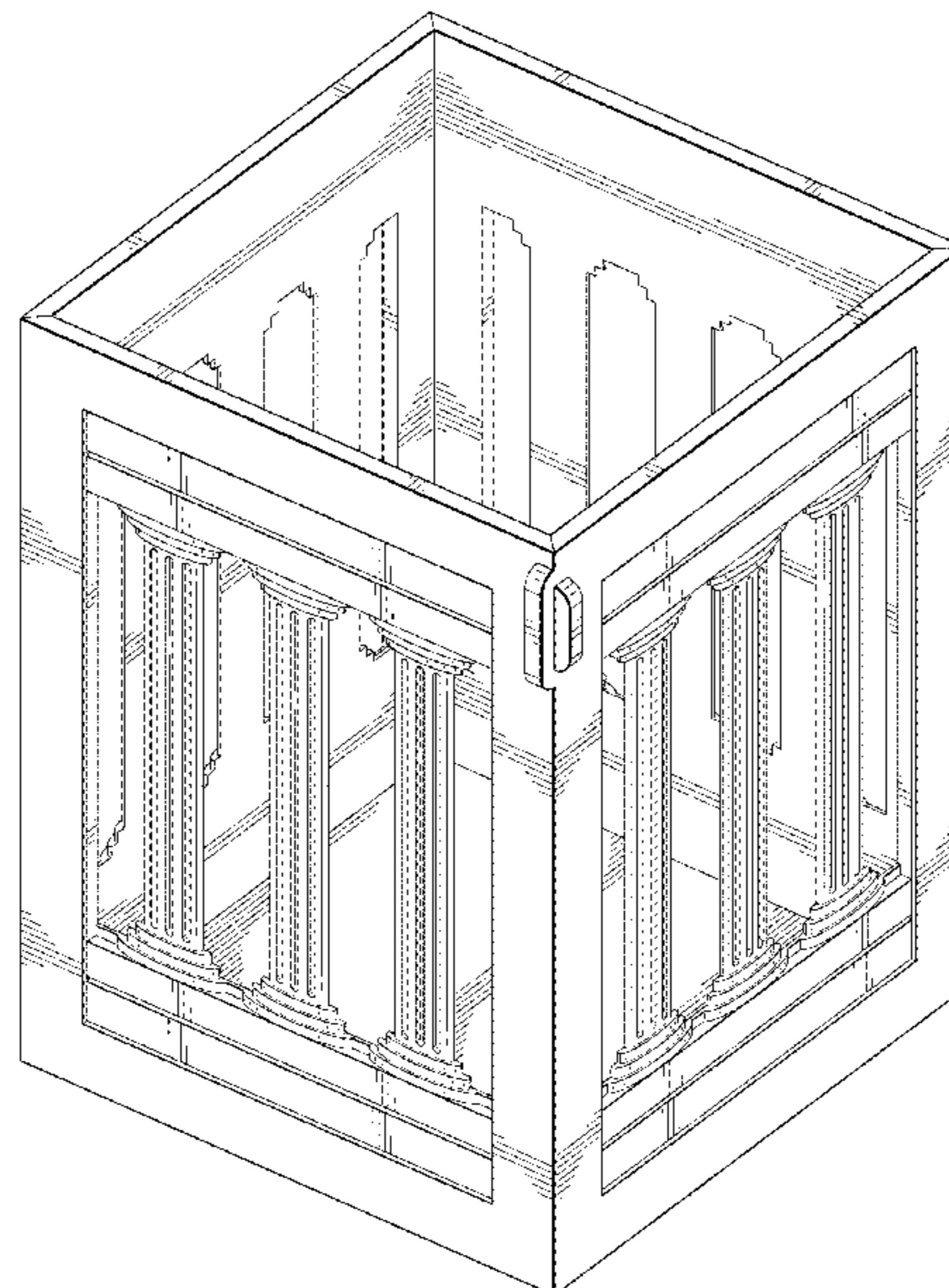
(57) **CLAIM**

The ornamental design for a pen and pencil holder, as shown.

DESCRIPTION

FIG. 1 is a front perspective view of a pen and pencil holder showing our new design;
FIG. 2 is a side elevational view thereof; and,
FIG. 3 is a top plan view thereof.

1 Claim, 3 Drawing Sheets



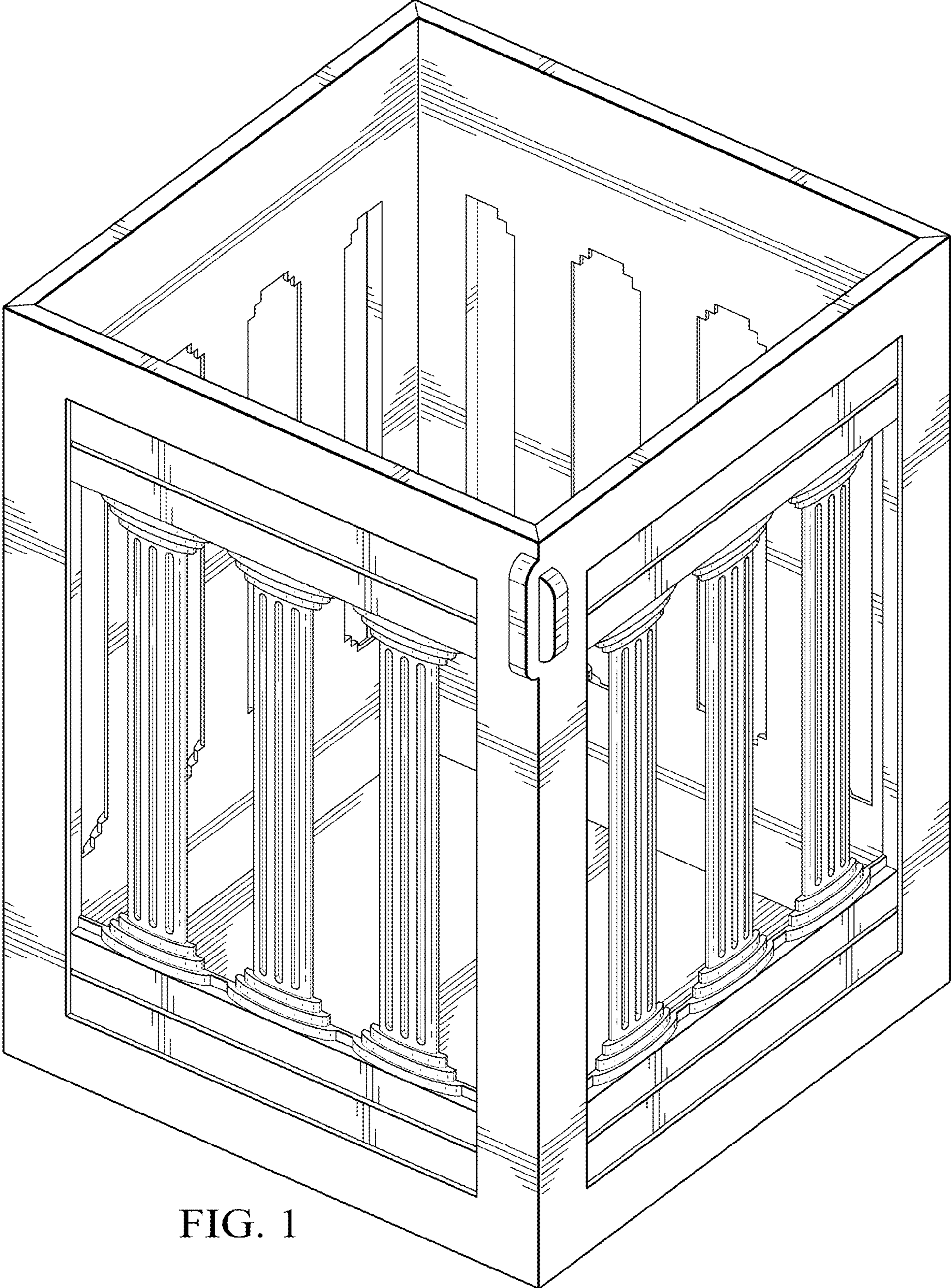


FIG. 1

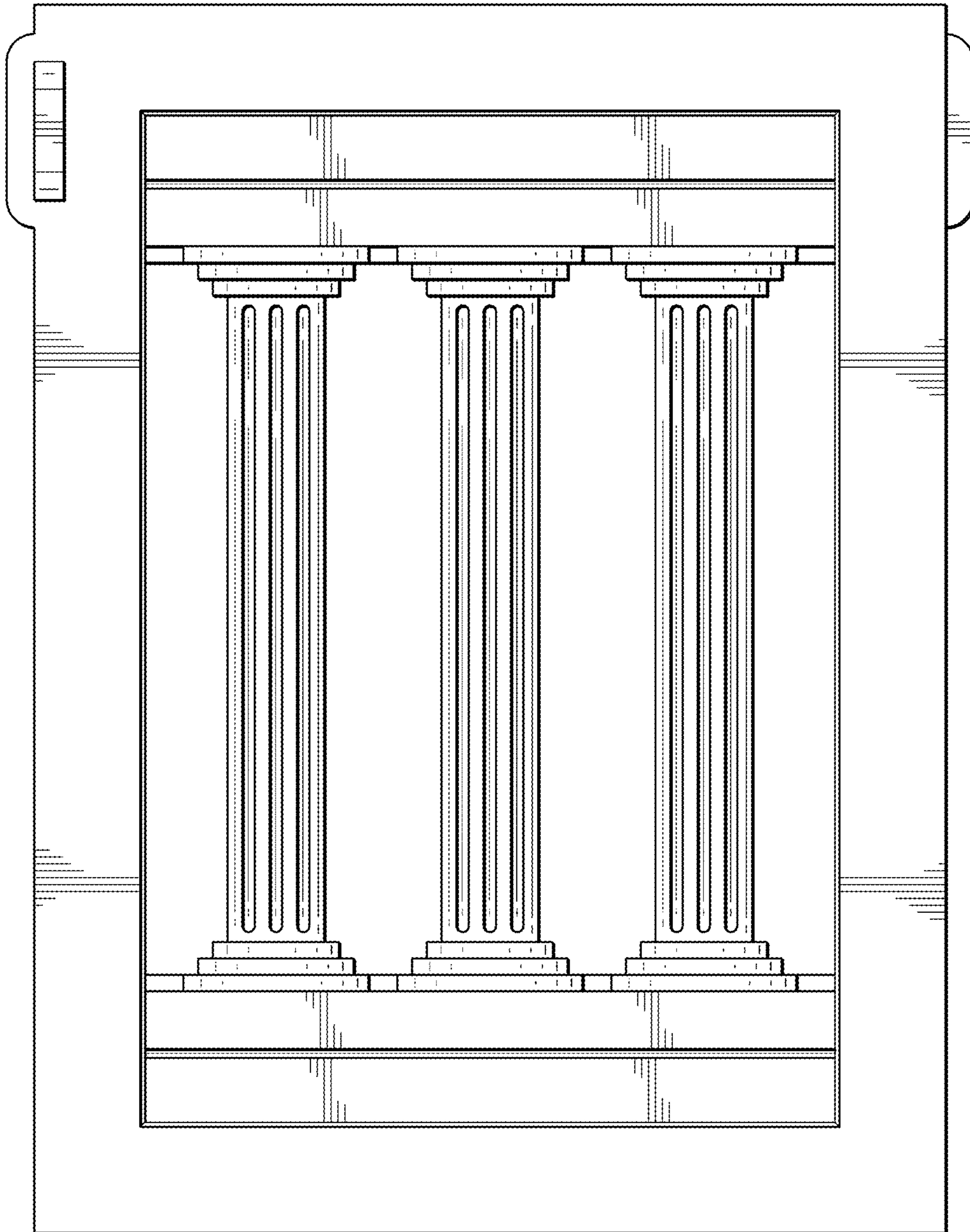


FIG. 2

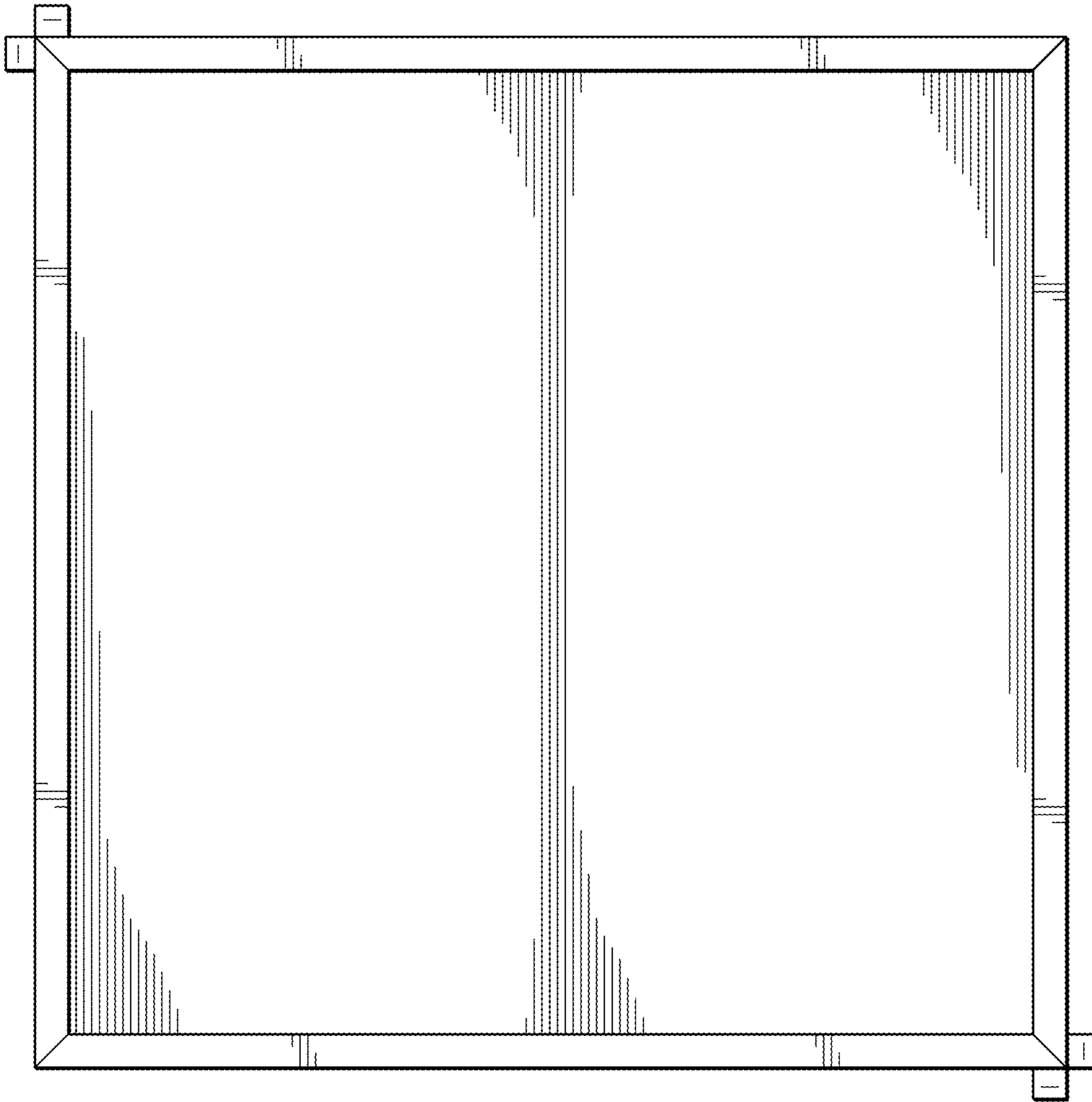


FIG. 3