



US00D883375S

(12) **United States Design Patent**
Sato et al.

(10) **Patent No.:** **US D883,375 S**

(45) **Date of Patent:** **** May 5, 2020**

(54) **GLUE STICK**

(71) Applicant: **Kokuyo Co., Ltd.**, Osaka-shi (JP)

(72) Inventors: **Oki Sato**, Tokyo (JP); **Takashi Ohashi**, Osaka (JP); **Kenji Maehara**, Osaka (JP)

(73) Assignee: **Kokuyo Co., Ltd.**, Osaka (JP)

(**) Term: **15 Years**

(21) Appl. No.: **29/662,397**

(22) Filed: **Sep. 5, 2018**

(51) **LOC (12) Cl.** **19-02**

(52) **U.S. Cl.**
USPC **D19/66**

(58) **Field of Classification Search**

USPC D19/65-69; D6/515; D8/395; D9/723,
D9/724, 727, 730, 734, 504, 529
CPC B65H 35/00; B65H 35/0026; B65H
35/0033; B65H 35/0073; B65H 35/008;
B65H 35/06; B65H 37/005; B65H 37/007
See application file for complete search history.

(56) **References Cited**

U.S. PATENT DOCUMENTS

D60,205 S * 1/1922 Abbott D9/783
D189,556 S * 1/1961 Wolf D9/558
(Continued)

FOREIGN PATENT DOCUMENTS

JP 2002211192 A 7/2002
JP D1196614 S 2/2004
(Continued)

Primary Examiner — Elizabeth A. Albert

(74) *Attorney, Agent, or Firm* — The Webb Law Firm

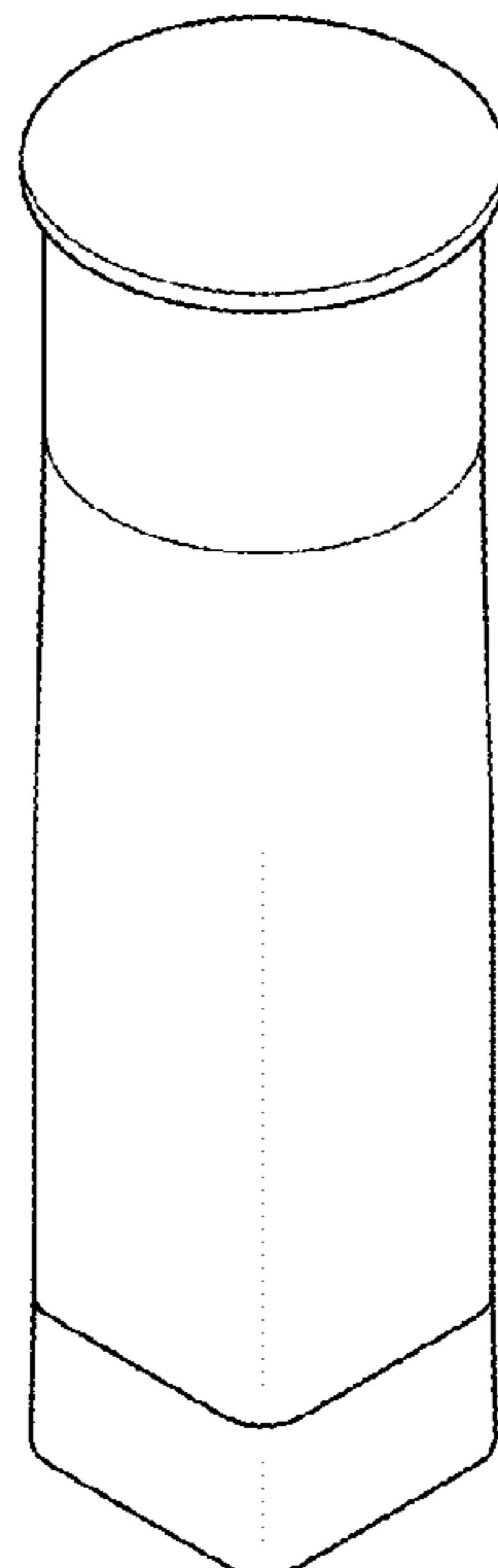
(57) **CLAIM**

The ornamental design for a glue stick, as shown and described.

DESCRIPTION

FIG. 1 is an upper perspective view of a glue stick, showing our new design;
FIG. 2 is a lower perspective view thereof;
FIG. 3 is a front elevation view thereof, the rear view being the same;
FIG. 4 is a top view thereof;
FIG. 5 is a bottom view thereof;
FIG. 6 is right side elevation view thereof, the left side view being the same;
FIG. 7 is an enlarged cross-sectional view thereof taken along lines 7-7 shown in FIG. 3;
FIG. 8 is an enlarged cross-sectional view thereof taken along lines 8-8 shown in FIG. 3;
FIG. 9 is a cross-sectional view thereof taken along lines 9-9 shown in FIG. 4;
FIG. 10 is an upper perspective view of the container body thereof shown without the cap, for convenience;
FIG. 11 is a front elevation view of the container body thereof shown without the cap, for convenience;
FIG. 12 is an enlarged top view of the container body thereof shown without the cap, for convenience;
FIG. 13 is a bottom view of the container body thereof shown without the cap, for convenience;
FIG. 14 is a lower perspective view of the cap thereof shown without the container body, for convenience;
FIG. 15 is a bottom view of the cap thereof shown without the container body, for convenience; and,
FIG. 16 is a view thereof in its intended environment.
The broken lines are included to show portions of the glue stick that form no part of the claimed design.
The broken line showings of FIG. 16 of a table are for the purpose of illustrating environmental structure and form no part of the claimed design.

1 Claim, 8 Drawing Sheets



(56)

References Cited

U.S. PATENT DOCUMENTS

| | | | | | | |
|----------|---|---|---------|------------|-------|------------|
| D227,750 | S | * | 7/1973 | Goldsholl | | D9/520 |
| D357,200 | S | * | 4/1995 | Thomas | | D10/103 |
| D357,865 | S | * | 5/1995 | Hansen | | D9/453 |
| D444,387 | S | * | 7/2001 | Adachi | | D9/520 |
| D482,605 | S | * | 11/2003 | Souther | | D9/727 |
| D535,476 | S | * | 1/2007 | Pennington | | D3/262 |
| D537,726 | S | * | 3/2007 | Elgebrant | | D9/560 |
| D573,893 | S | * | 7/2008 | Moretti | | D9/560 |
| D577,602 | S | * | 9/2008 | Phemster | | D9/687 |
| D587,586 | S | * | 3/2009 | Patzak | | D9/446 |
| D597,840 | S | * | 8/2009 | Biesecker | | D9/454 |
| D650,695 | S | * | 12/2011 | Talbott | | D22/116 |
| D652,472 | S | * | 1/2012 | Klement | | F42B 5/025 |
| | | | | | | D22/115 |
| D652,477 | S | * | 1/2012 | Klement | | D22/115 |
| D730,445 | S | * | 5/2015 | Suzuki | | D19/69 |
| D731,893 | S | * | 6/2015 | Chung | | D9/529 |
| D740,679 | S | * | 10/2015 | Bisbikis | | D9/558 |
| D744,166 | S | * | 11/2015 | Chertoff | | D28/85 |
| D754,223 | S | * | 4/2016 | Pederson | | D15/90 |
| D777,599 | S | * | 1/2017 | Adler | | D11/81 |
| D799,974 | S | * | 10/2017 | Strang | | D9/529 |
| D825,657 | S | * | 8/2018 | Baylis | | D19/66 |

FOREIGN PATENT DOCUMENTS

| | | | |
|----|------------|----|---------|
| JP | D1280186 | S | 9/2006 |
| JP | 3180586 | U | 12/2012 |
| JP | D1554499 | S | 7/2016 |
| KR | 300483563 | S | 3/2008 |
| WO | 2015029127 | A1 | 3/2015 |

* cited by examiner

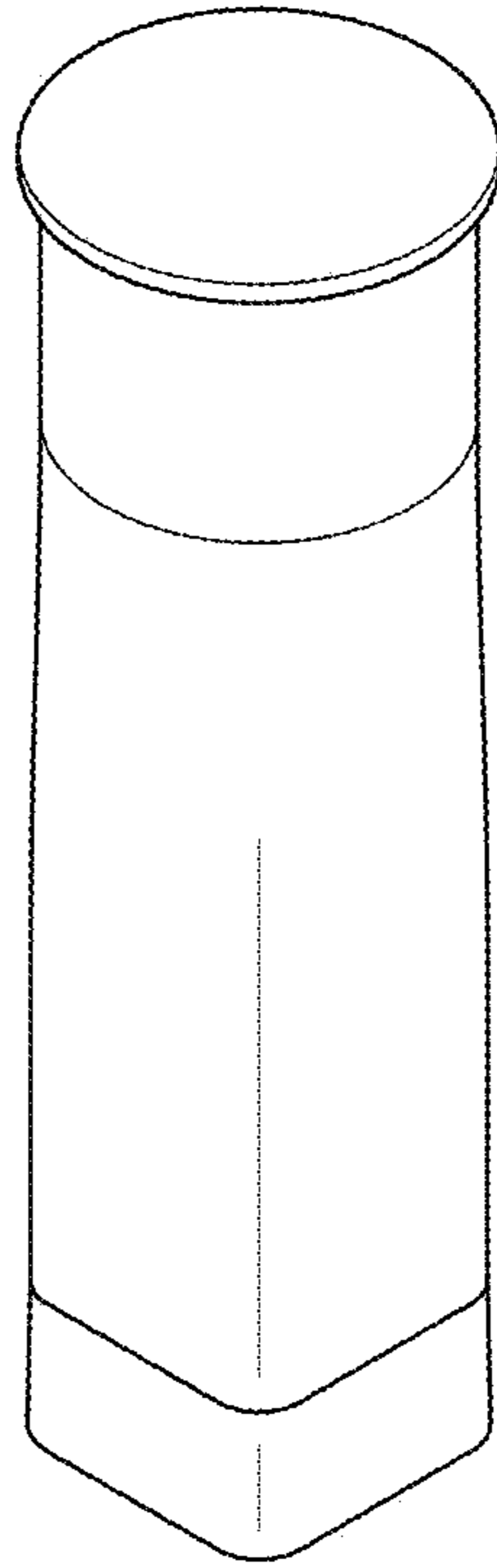


FIG. 1

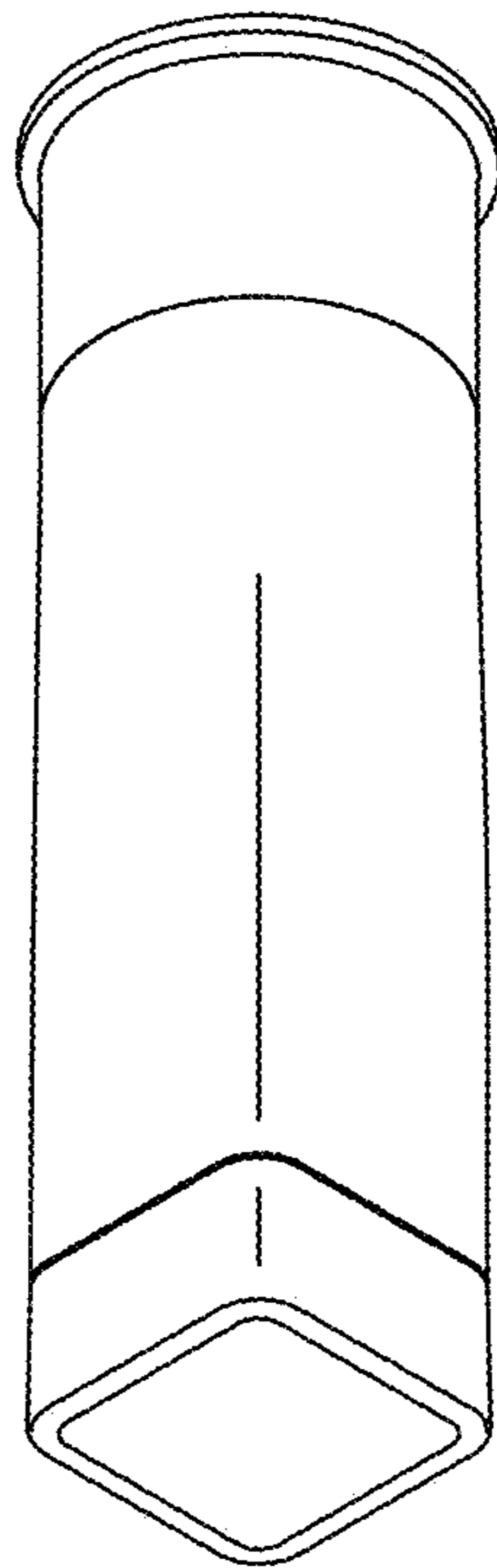


FIG. 2

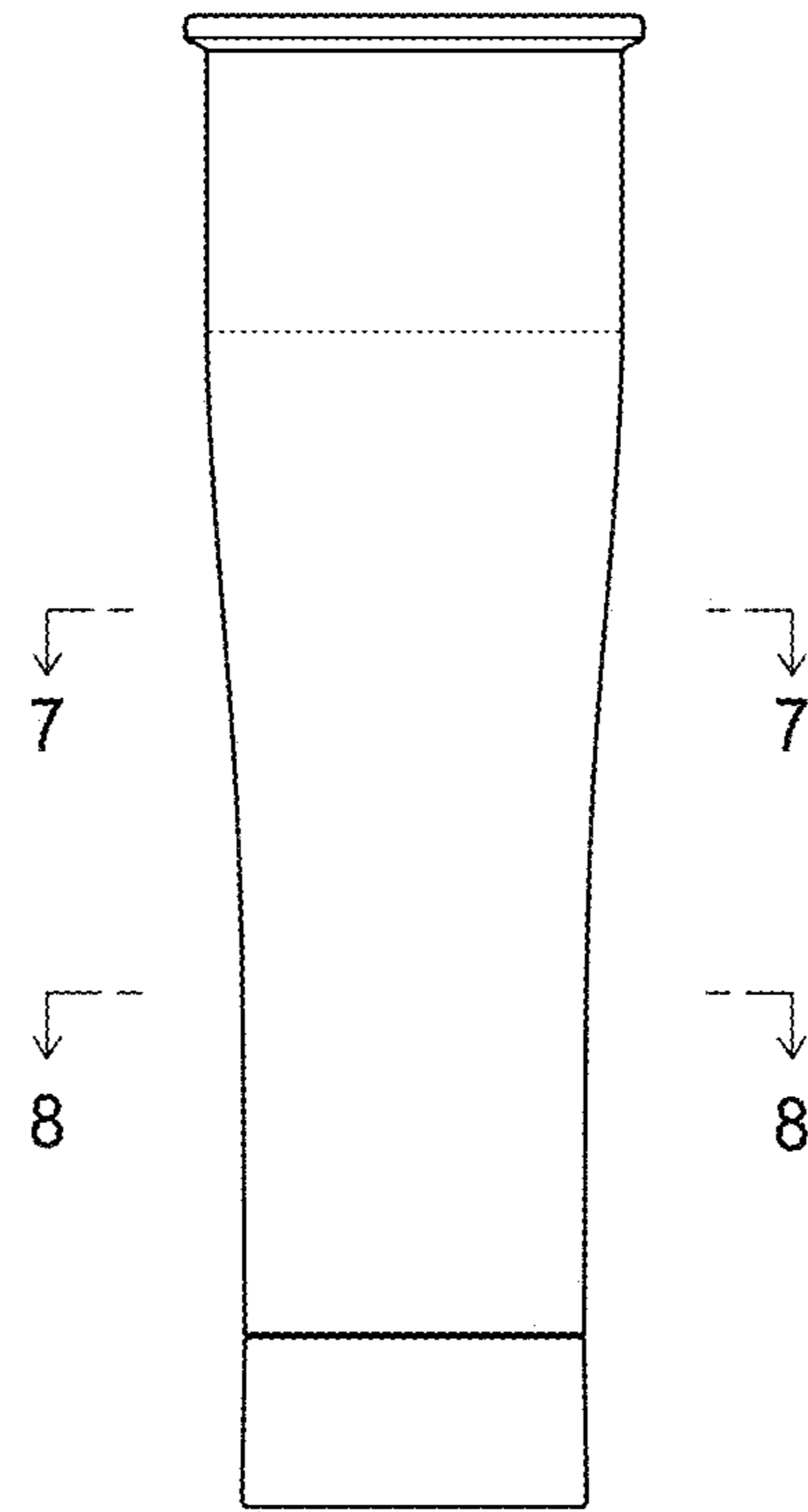


FIG. 3

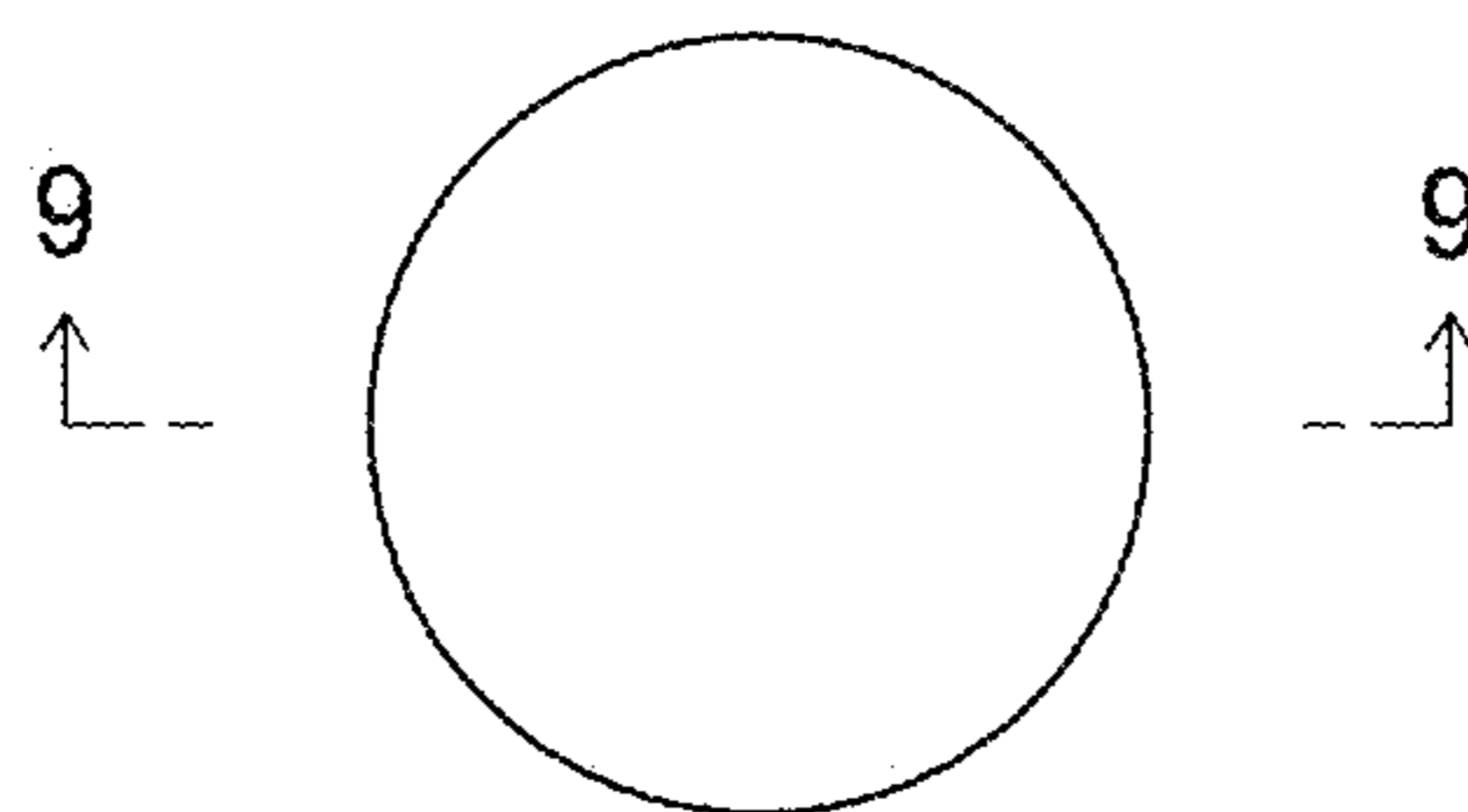


FIG. 4

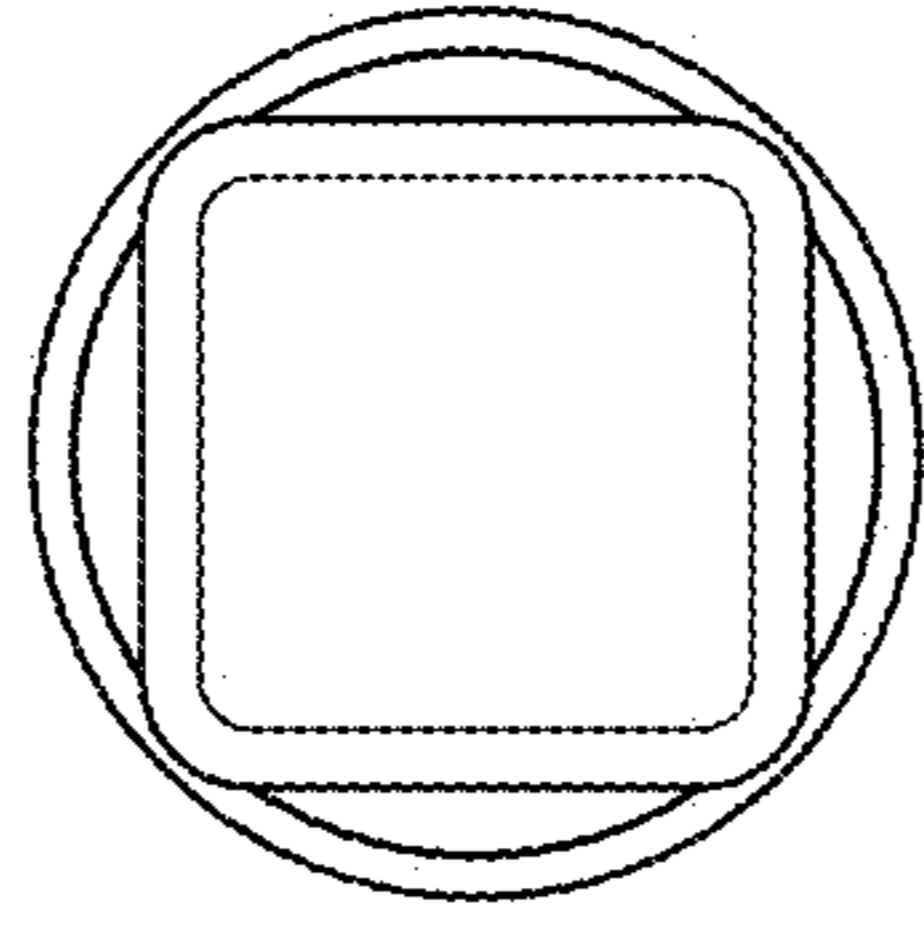


FIG. 5

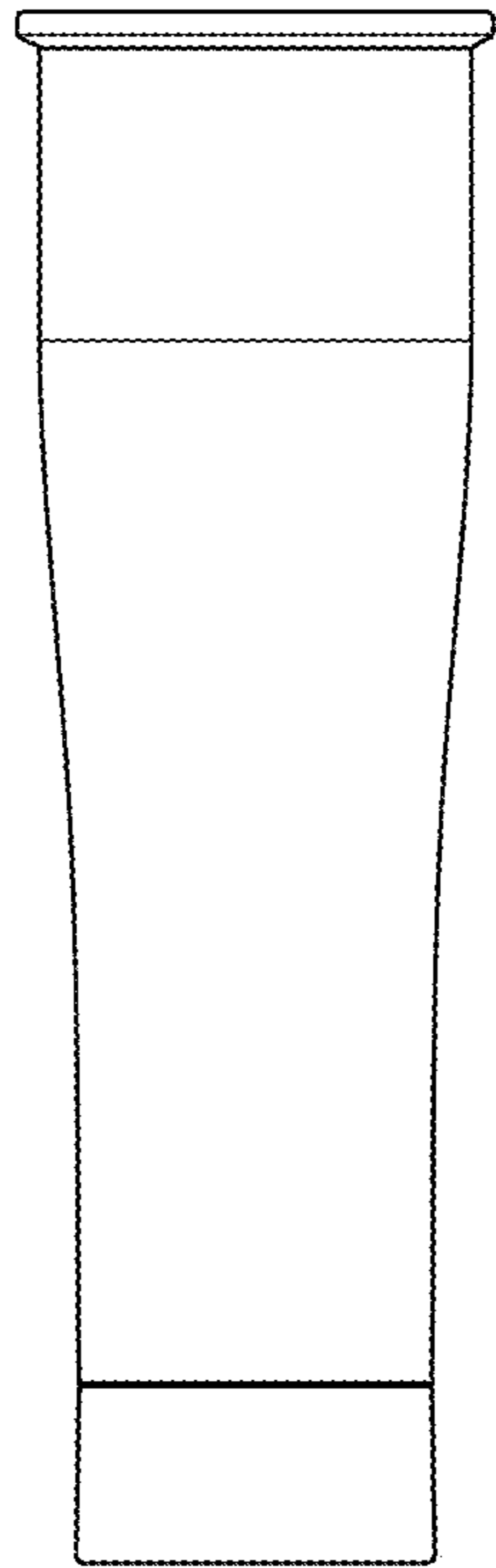


FIG. 6

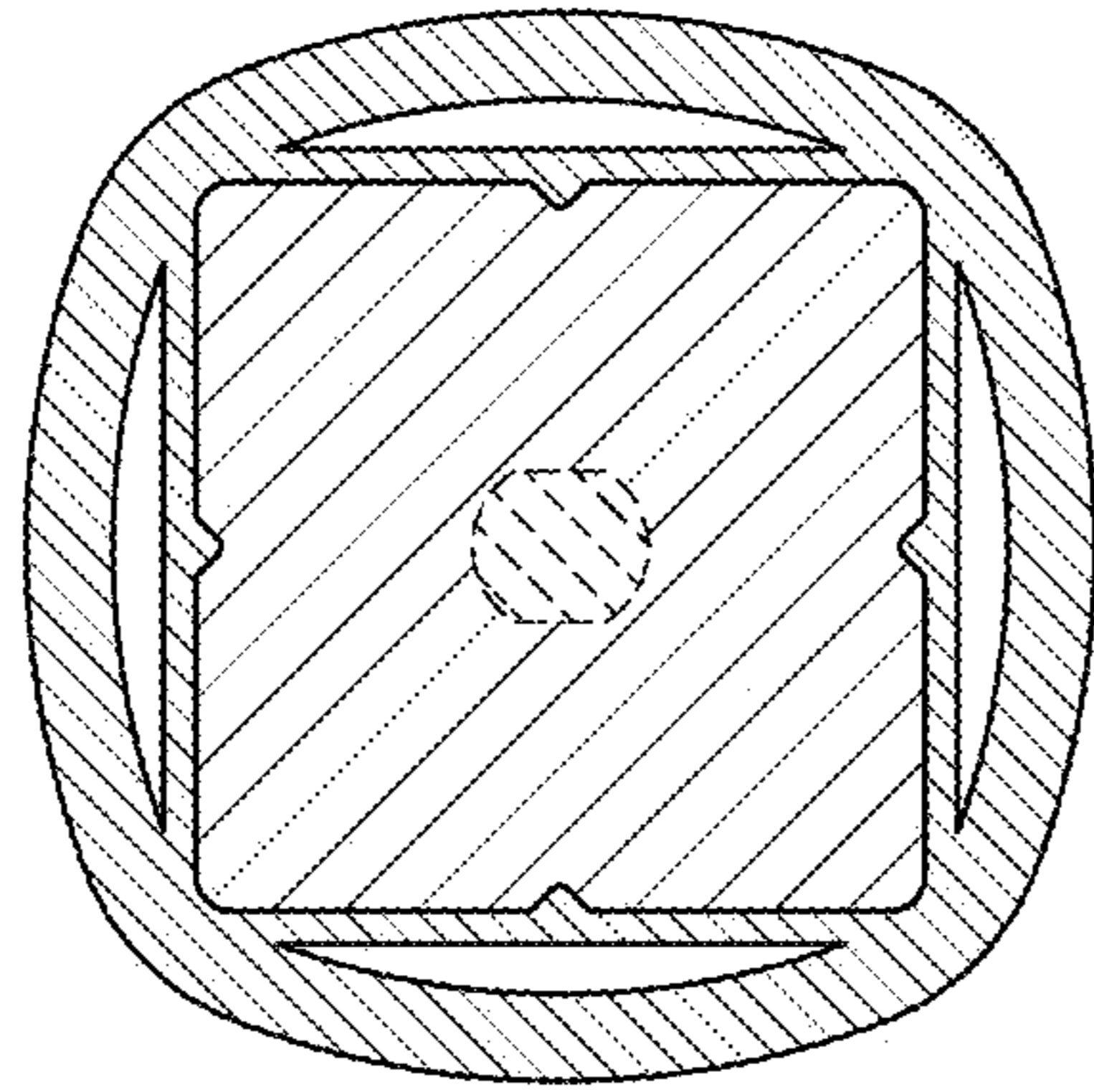


FIG. 7

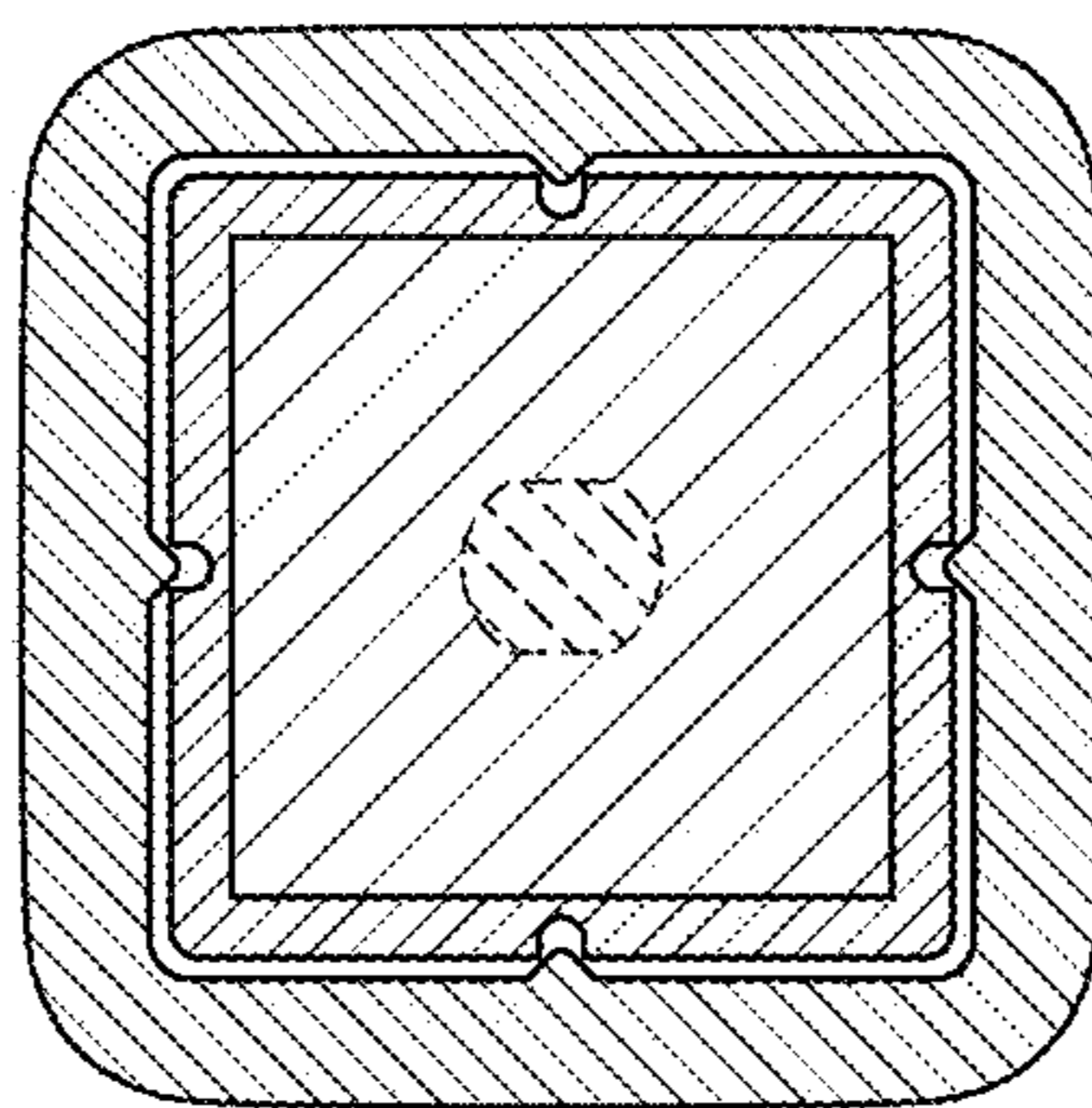


FIG. 8

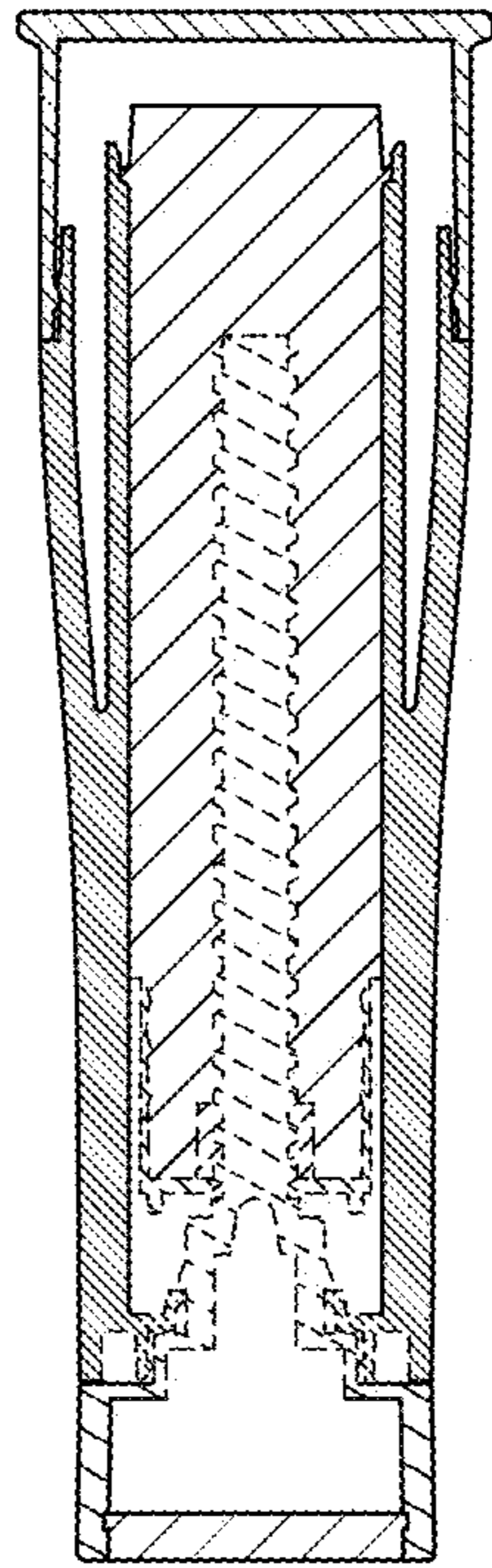


FIG. 9

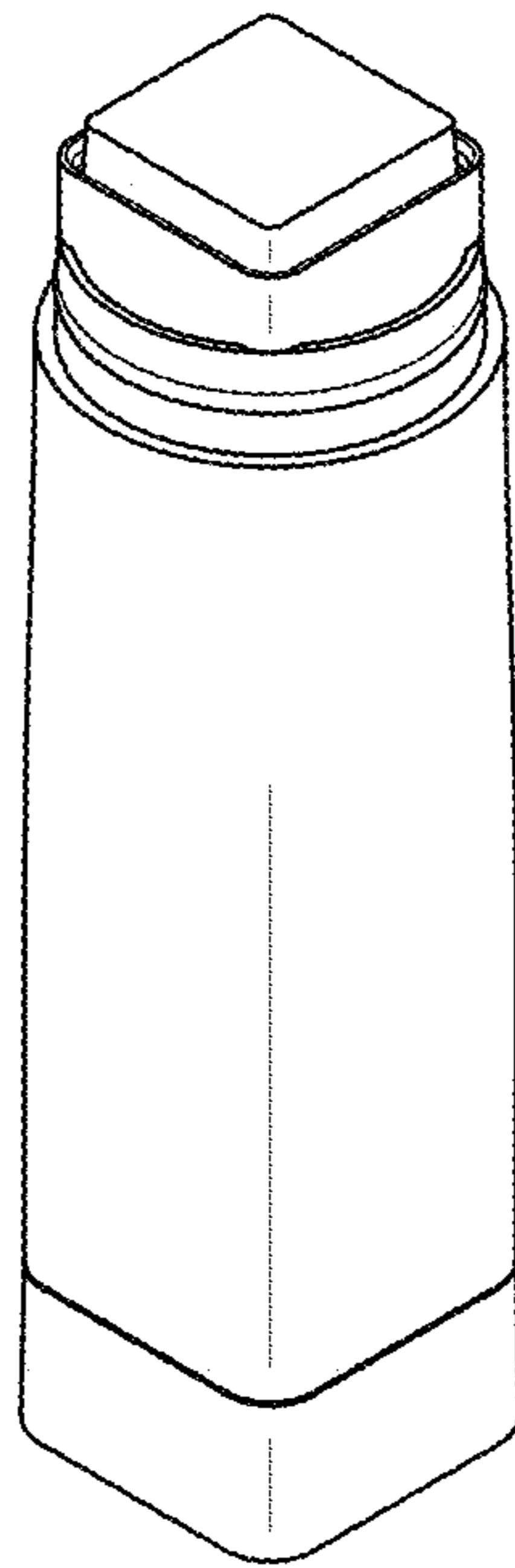


FIG. 10

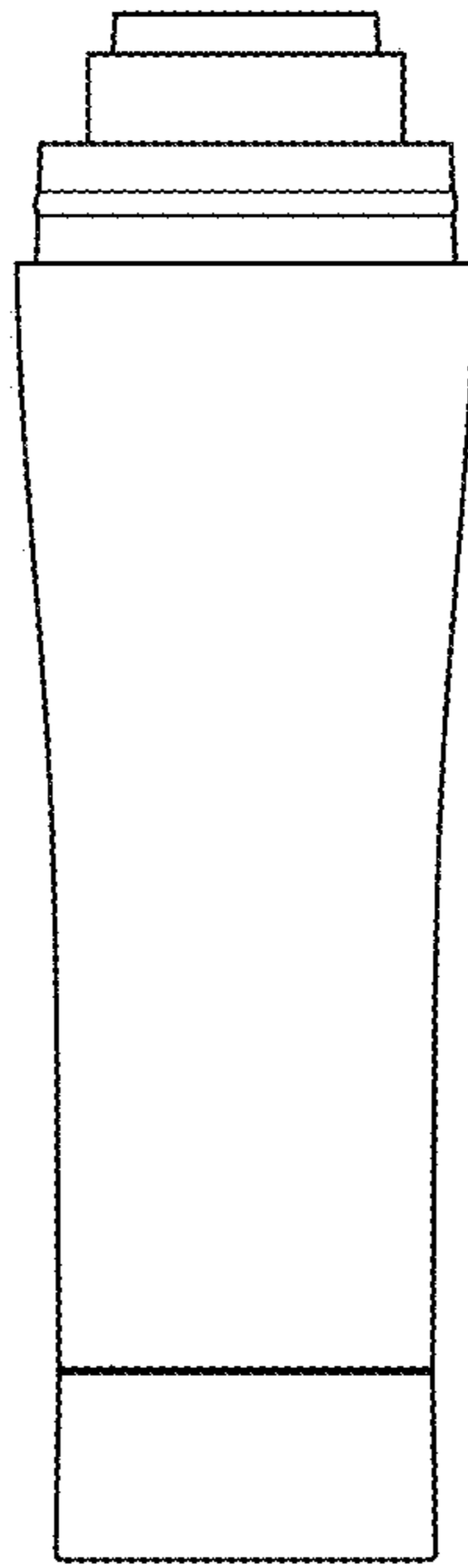


FIG. 11

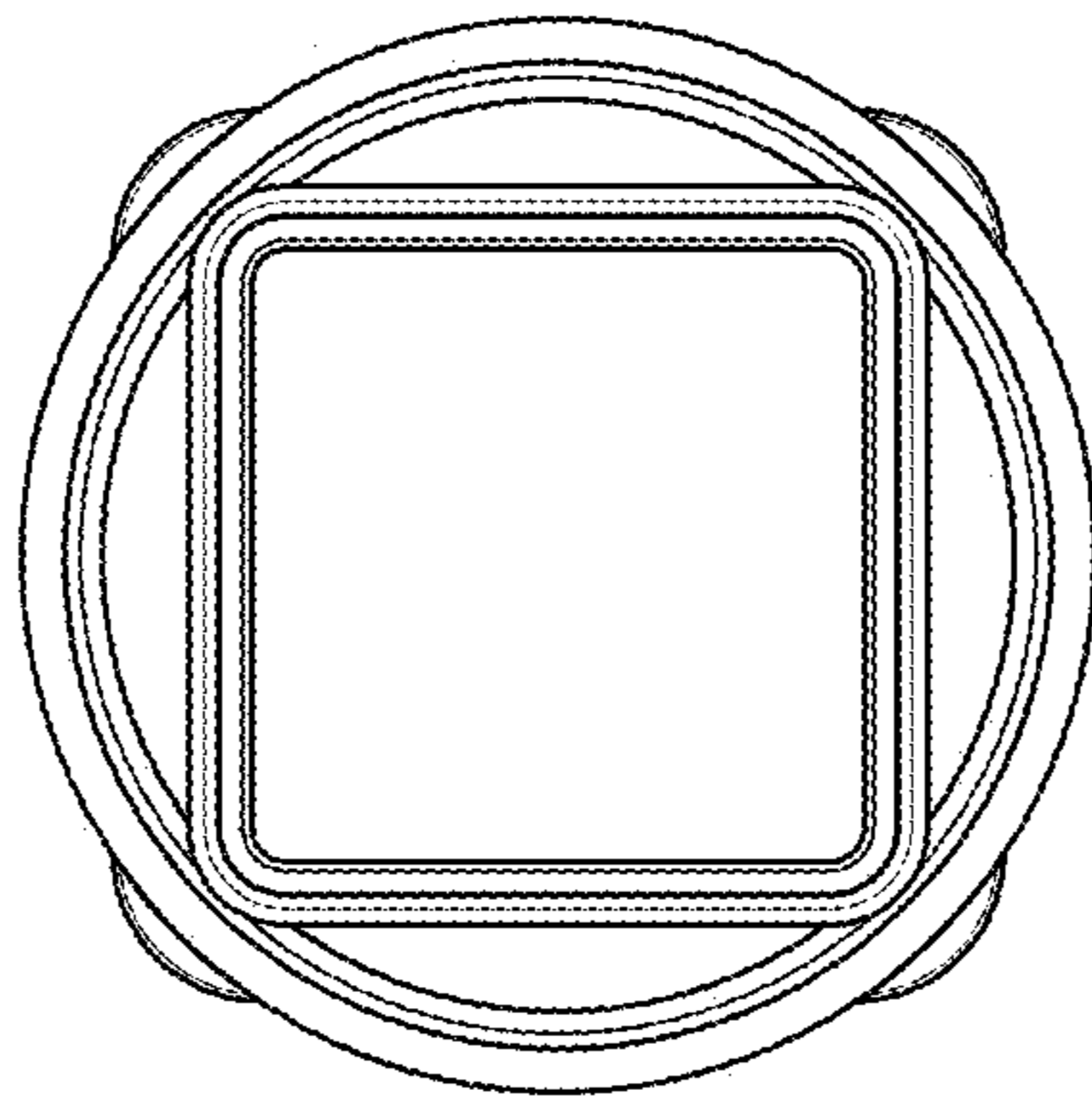


FIG. 12

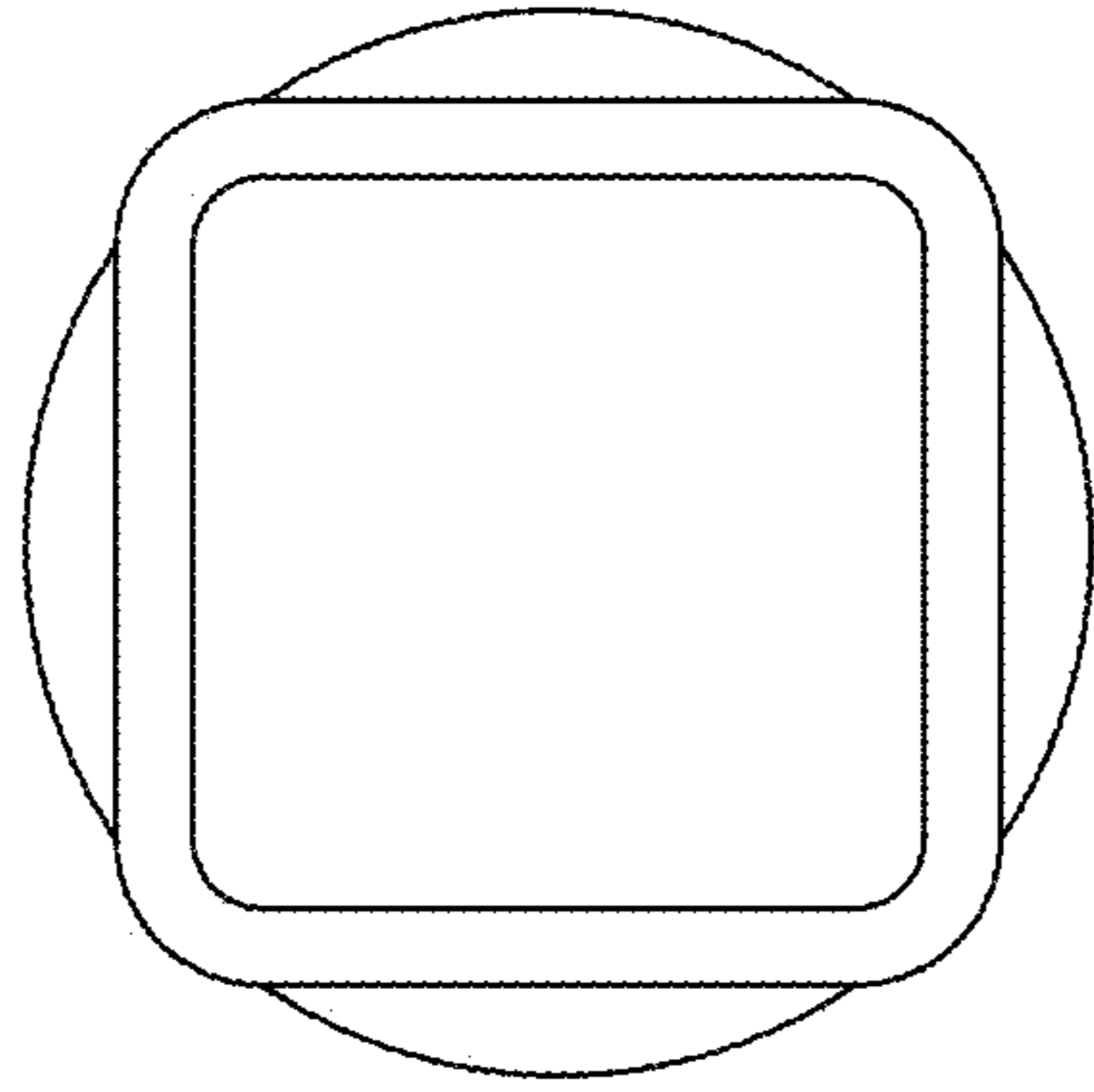


FIG. 13

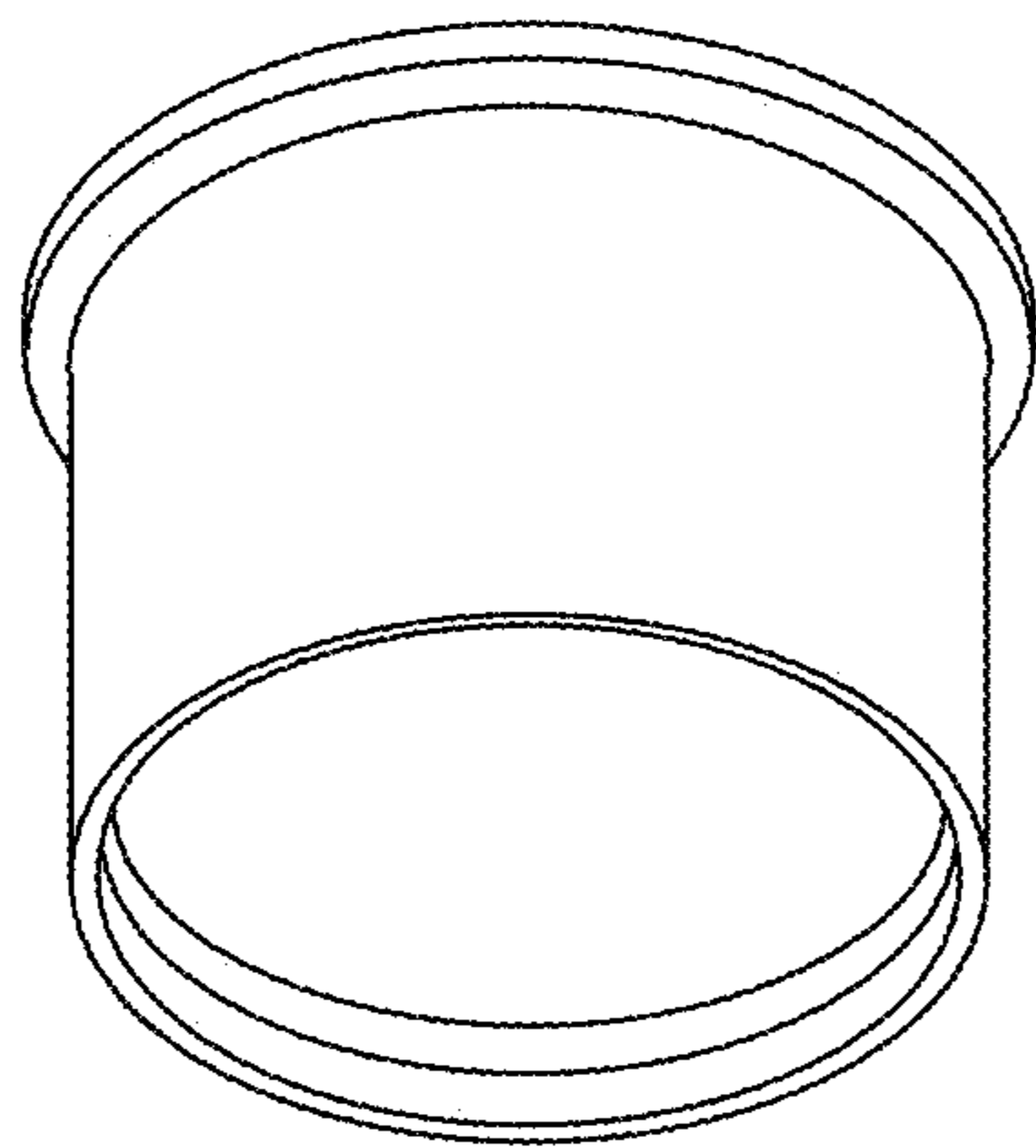


FIG. 14

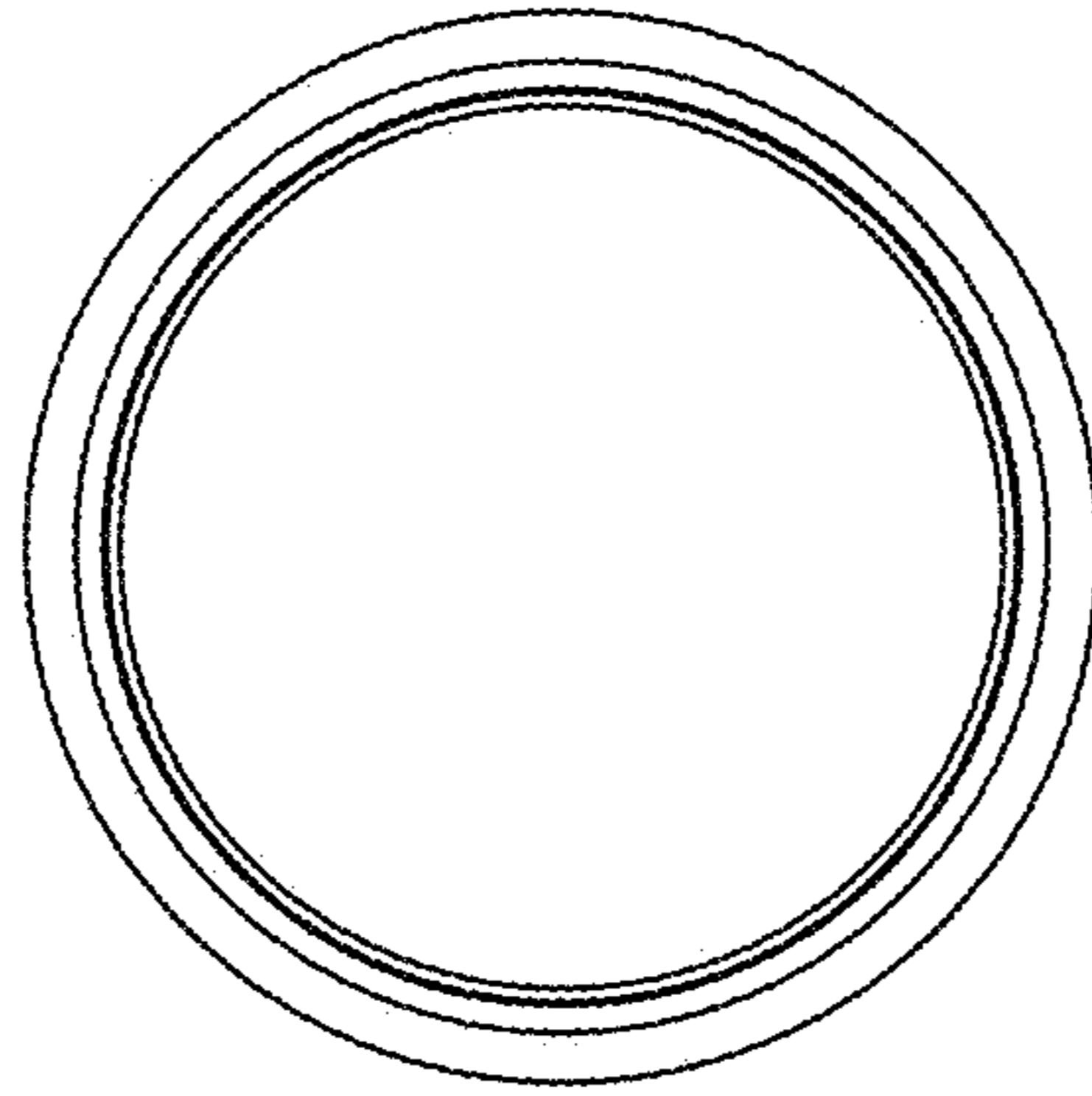


FIG. 15

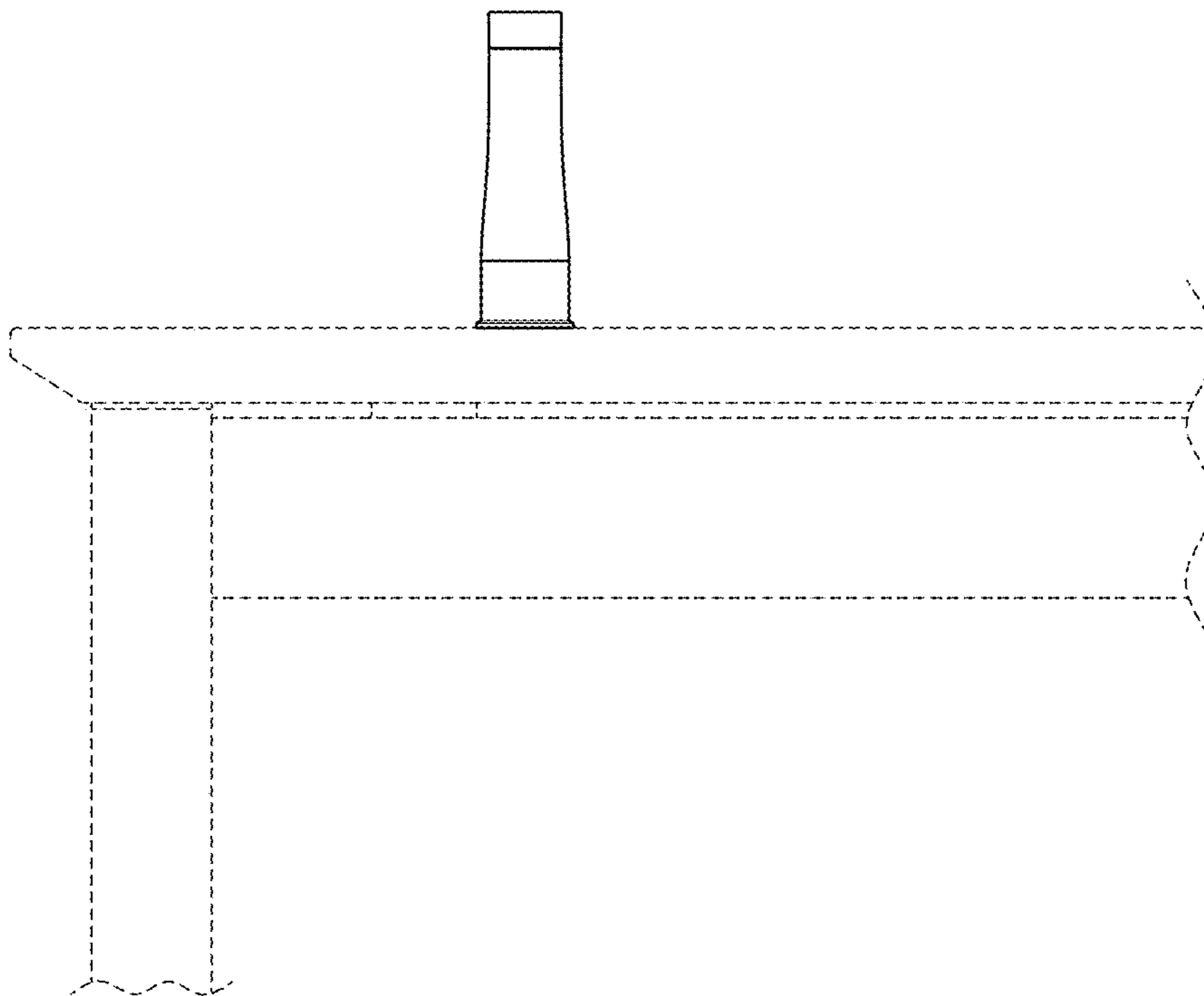


FIG. 16