



US00D883371S

(12) **United States Design Patent** (10) **Patent No.:** **US D883,371 S**  
**Rubins** (45) **Date of Patent:** **\*\* May 5, 2020**

(54) **EYEWEAR FOR AUGMENTED PERCEPTION**

(71) Applicant: **Tye Rubins**, North Hollywood, CA (US)

(72) Inventor: **Tye Rubins**, North Hollywood, CA (US)

(\*\*) Term: **15 Years**

(21) Appl. No.: **29/665,369**

(22) Filed: **Oct. 3, 2018**

(51) **LOC (12) Cl.** ..... **16-06**

(52) **U.S. Cl.**  
USPC ..... **D16/314**

(58) **Field of Classification Search**  
USPC ..... D16/300, 314  
CPC ..... G02C 7/16  
See application file for complete search history.

(56) **References Cited**

U.S. PATENT DOCUMENTS

D293,328 S *	12/1987	Murphy	.....	D16/313
D356,322 S *	3/1995	Bolle	.....	D16/314
D393,650 S *	4/1998	Salce	.....	D16/314
D441,389 S *	5/2001	Yeh	.....	D16/314
D616,484 S *	5/2010	Inui	.....	D16/309
D616,916 S *	6/2010	Yang	.....	D16/313
D841,726 S *	2/2019	Yang	.....	D16/313
D843,438 S *	3/2019	Karlson	.....	D16/314
2018/0074346 A1 *	3/2018	Tsai	.....	G02C 7/10

OTHER PUBLICATIONS

Dlodlo V1 VR Glasses, posted at wareable.com, posting date Aug. 11, 2016, [online], [site visited Feb. 25, 2020]. Available from

Internet, URL: <https://www.wearable.com/vr/dlodlo-vr-glasses-spec-sheet-blows-oculus-and-the-gang-out-of-the-water-1156> (Year: 2016).\*  
Dlodlo Virtual Reality Sunglasses, posted at newsweek.com, posting date Aug. 15, 2016, [online], [site visited Feb. 25, 2020]. Available from Internet, URL: <https://www.newsweek.com/virtual-reality-sunglasses-dlodlo-vr-490407> (Year: 2016).\*  
Nuyu visor, posted at mindtech.com, posting date not given, [online], [site visited Feb. 25, 2020]. Available from Internet, URL: <https://mindtech.com/how-it-works/> (Year: 2020).\*  
Osterhout augmented reality glasses, posted at cnbc.com, posting date Jan. 21, 2016, [online], [site visited Feb. 25, 2020]. Available from Internet, URL: <https://www.cnbc.com/2016/01/21/augmented-reality-glasses-for-the-masses-for-2750.html> (Year: 2016).\*

\* cited by examiner

*Primary Examiner* — George D. Kirschbaum  
*Assistant Examiner* — Maria J Edwards  
(74) *Attorney, Agent, or Firm* — Christopher Darrow

(57) **CLAIM**

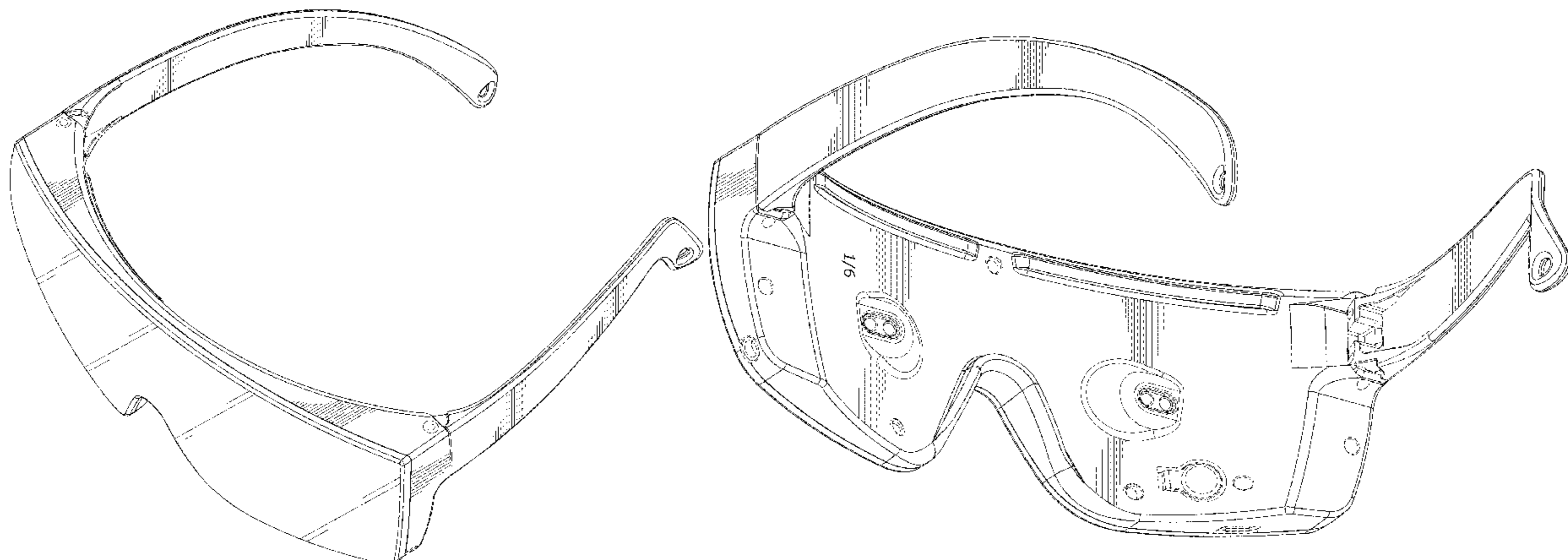
The ornamental design for an eyewear for augmented perception, as shown and described.

**DESCRIPTION**

FIG. 1 is a top perspective view of eyewear for augmented perception, showing my new design;  
FIG. 2 is a rear perspective view thereof;  
FIG. 3 is a front view thereof;  
FIG. 4 is a rear view thereof;  
FIG. 5 is a right-side view thereof;  
FIG. 6 left-side view thereof  
FIG. 7 is a top view thereof; and,  
FIG. 8 is a bottom view thereof.

The broken lines in the drawings illustrate portions of the eyewear for augmented perception and form no part of the claimed design.

**1 Claim, 6 Drawing Sheets**



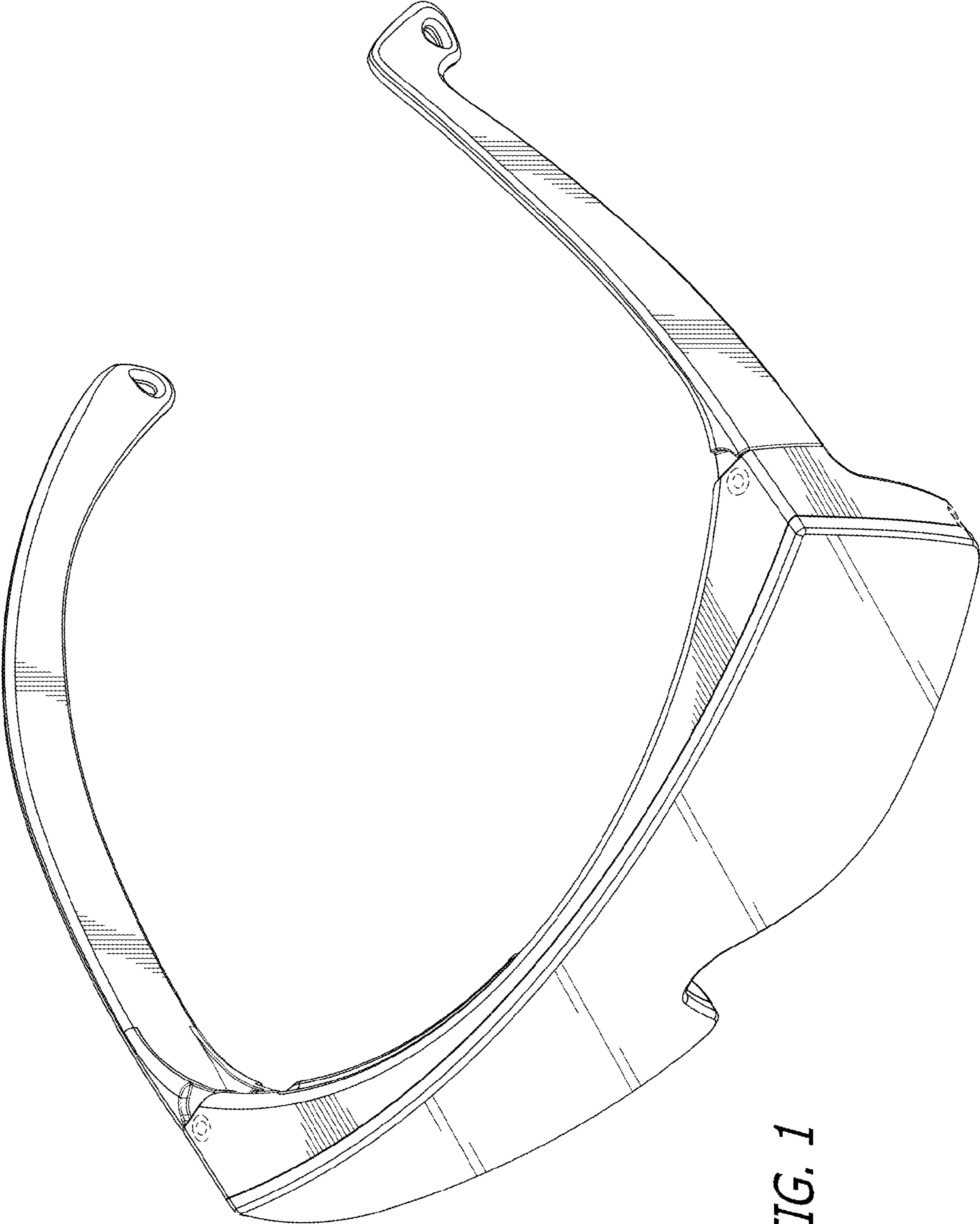


FIG. 1

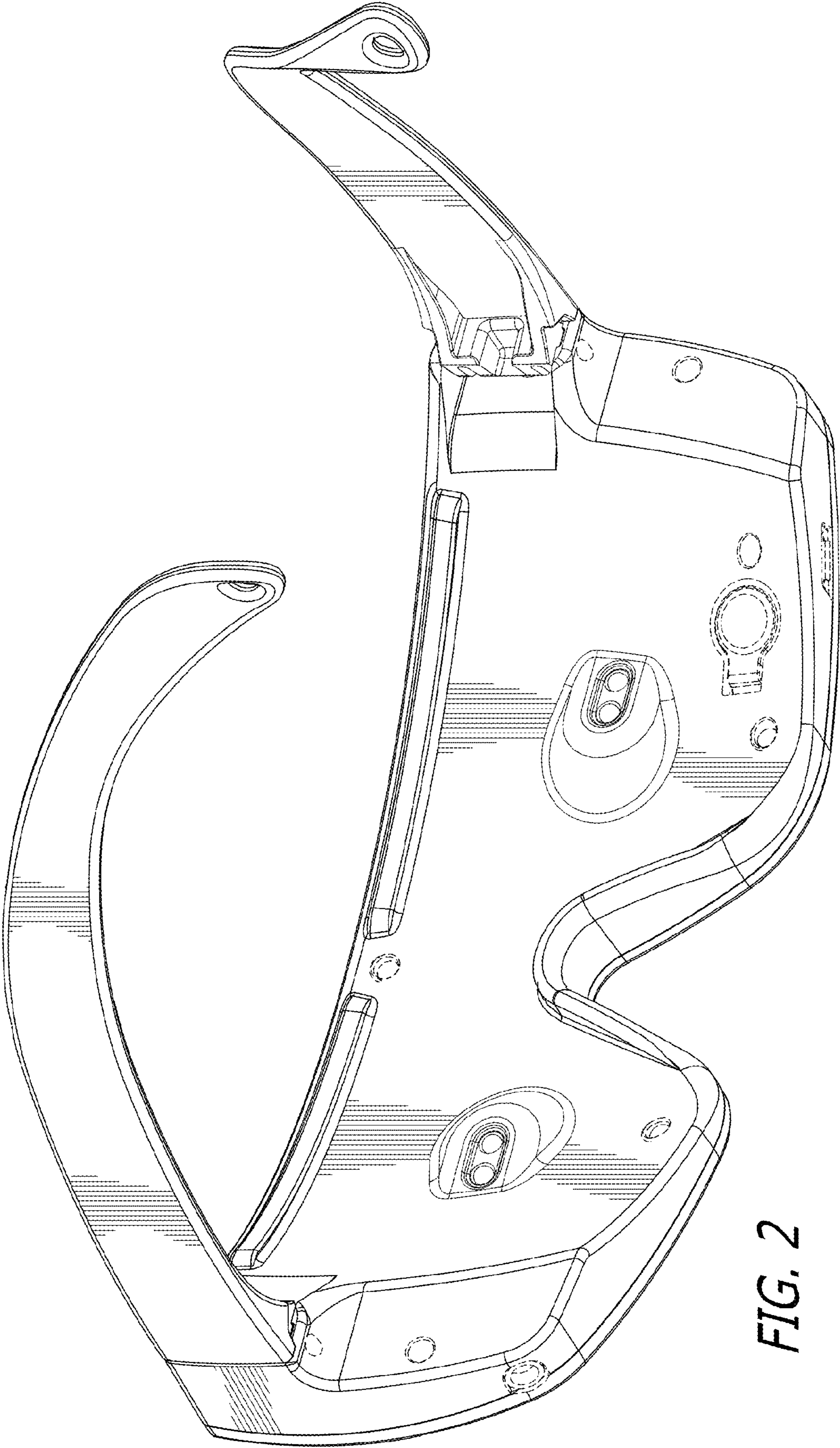


FIG. 2

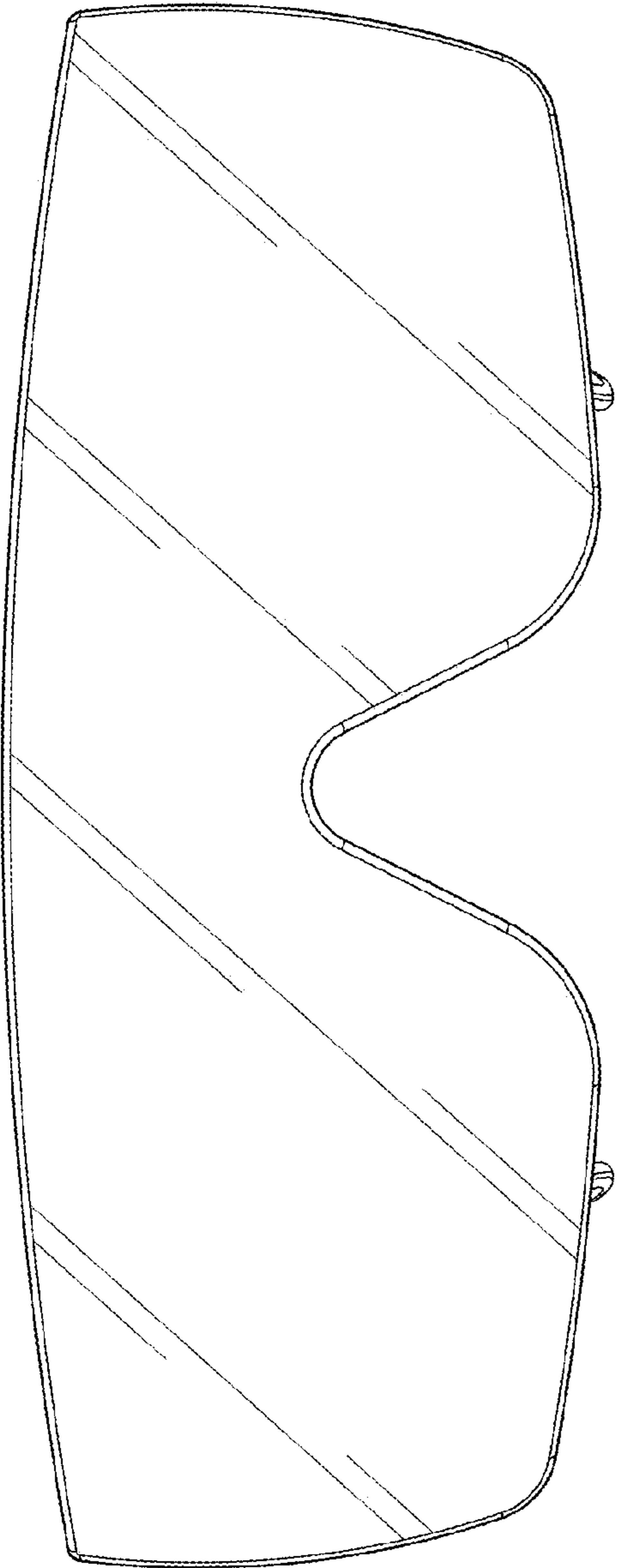


FIG. 3

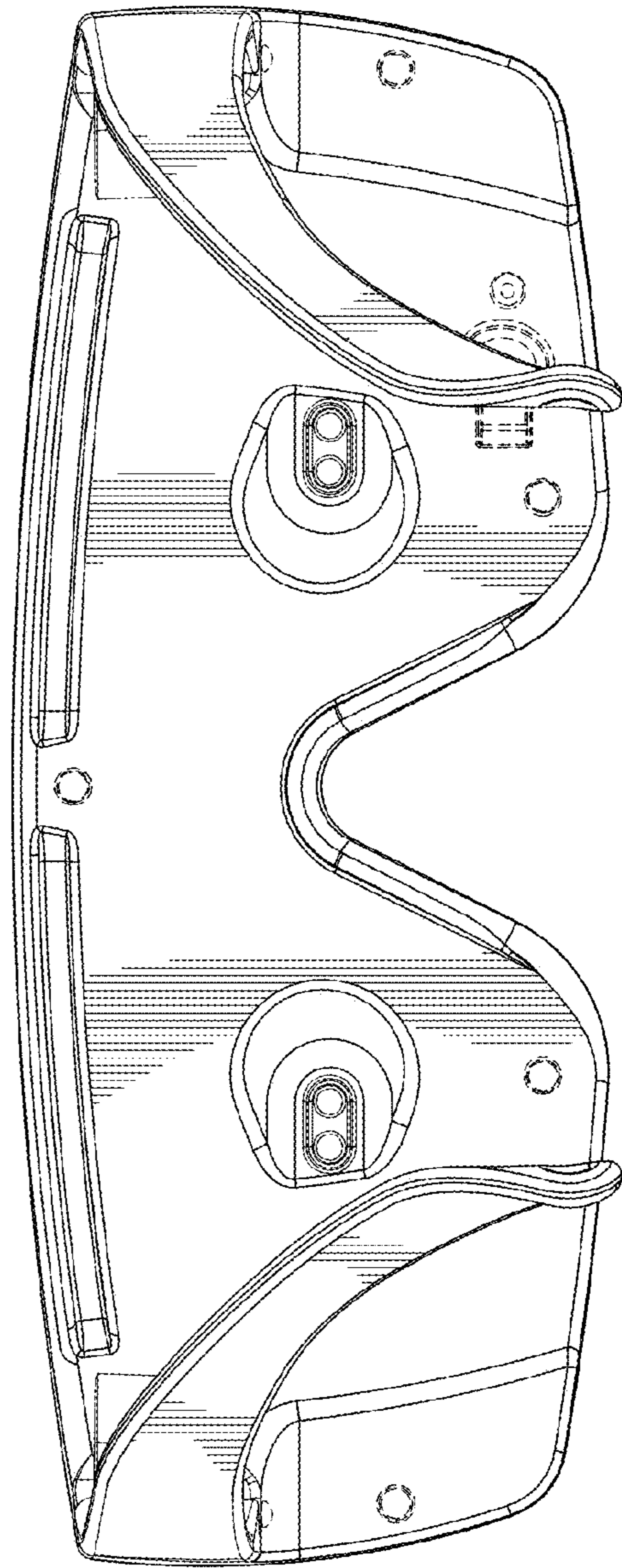


FIG. 4

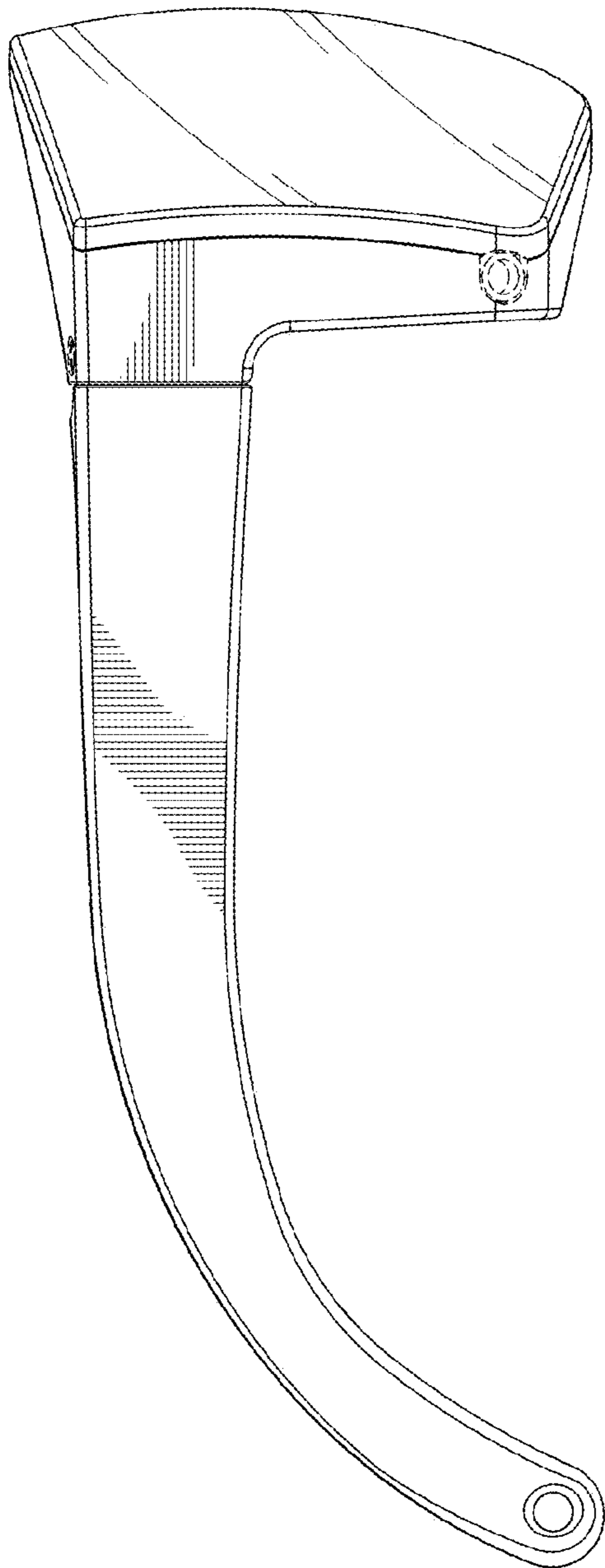


FIG. 5

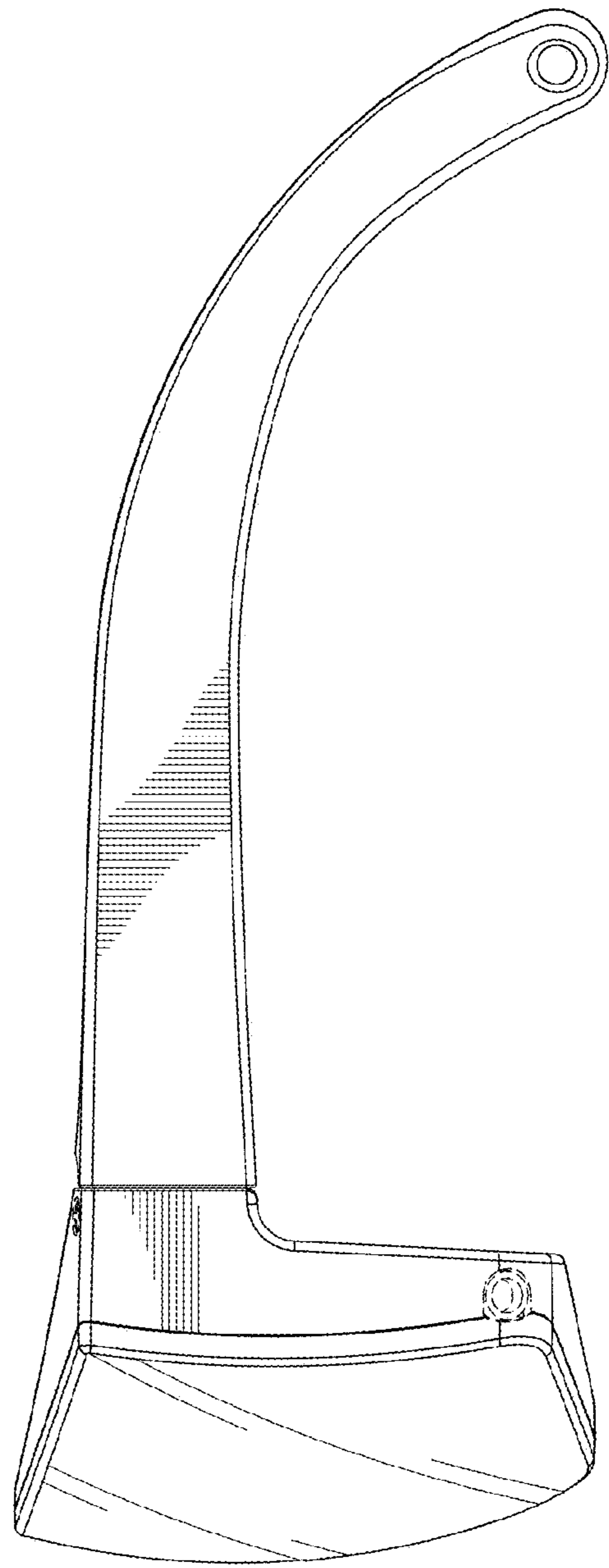


FIG. 6

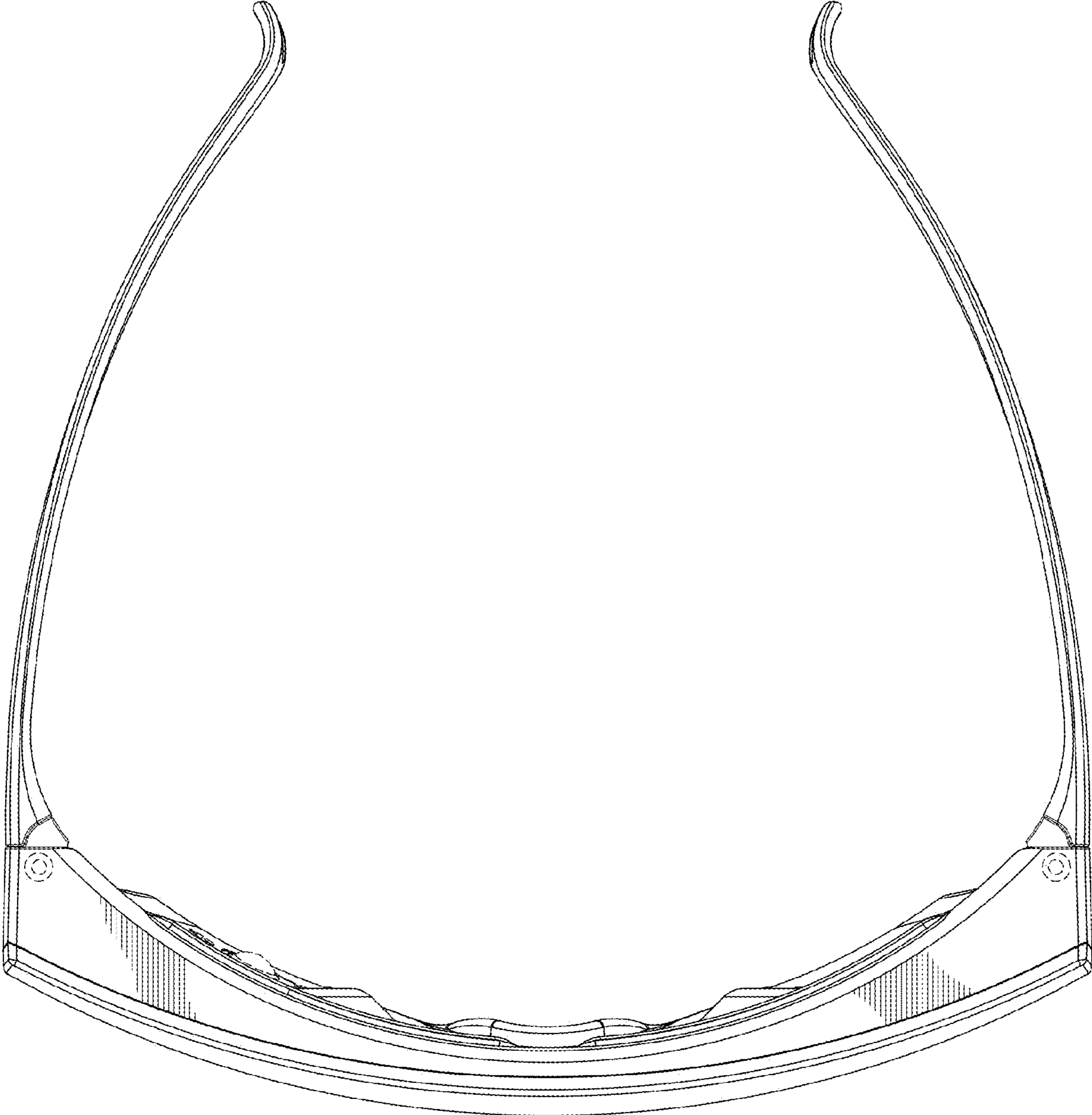
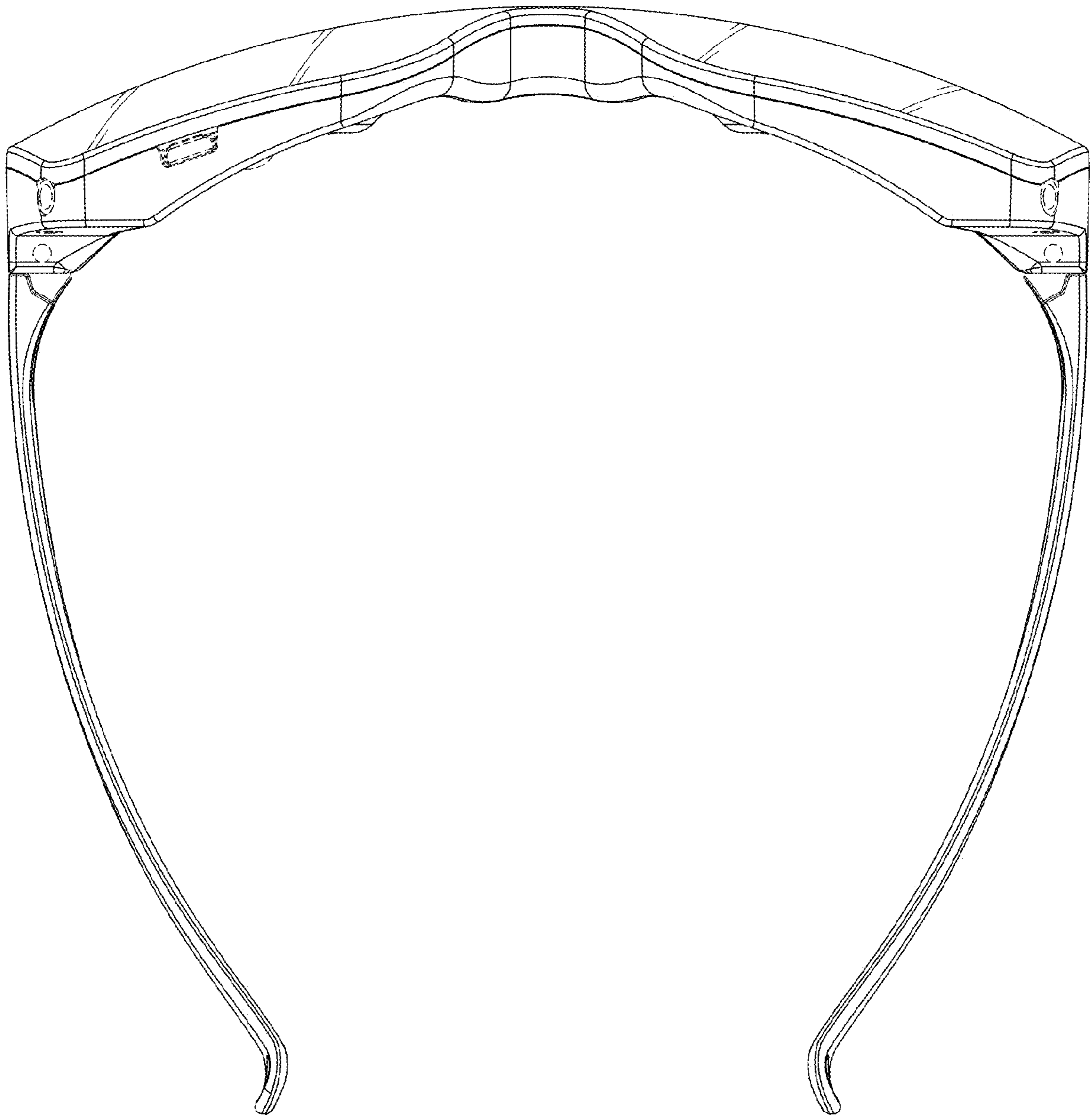


FIG. 7



*FIG. 8*