



US00D883370S

(12) **United States Design Patent** (10) **Patent No.:** **US D883,370 S**
Clark et al. (45) **Date of Patent:** **** May 5, 2020**

(54) TRIPOD HEAD	8,848,101 B2 * 9/2014 Zarpellon F16M 11/12 348/373
(71) Applicants: Graham Clark , Lakewood, CO (US); Thomas Cassaro , Pocos de Caldas (BR); Robert Borgen , Denver, CO (US); Isis Shiffer , Brooklyn, NY (US)	8,876,072 B2 * 11/2014 Hsu F16B 47/00 248/205.5
(72) Inventors: Graham Clark , Lakewood, CO (US); Thomas Cassaro , Pocos de Caldas (BR); Robert Borgen , Denver, CO (US); Isis Shiffer , Brooklyn, NY (US)	8,894,316 B2 * 11/2014 Kallas F16M 11/14 403/90
(73) Assignee: New Ideas Manufacturing LLC , Englewood, CO (US)	D722,635 S * 2/2015 Richardson D16/203 9,052,574 B1 * 6/2015 Johnson, Sr. G03B 17/561 D746,352 S * 12/2015 Ryterski D16/219 9,372,383 B2 * 6/2016 Johnson, Sr. F16M 11/14 D795,820 S * 8/2017 Wengreen D13/155 D834,105 S * 11/2018 Bilodeau D21/484 D864,282 S * 10/2019 Liu D16/244 2007/0120027 A1 * 5/2007 Chang B60R 11/02 248/205.5
(**) Term: 15 Years	2013/0108255 A1 * 5/2013 Vogt F16M 11/18 396/428

(Continued)

Primary Examiner — Vy N Koenig
(74) *Attorney, Agent, or Firm* — Christopher Pilling;
Johan Eide; My Patent Guys

(21) Appl. No.: **29/666,493**
(22) Filed: **Oct. 12, 2018**

Related U.S. Application Data

(63) Continuation-in-part of application No. 15/948,911,
filed on Apr. 9, 2018, now Pat. No. 10,422,469.

(51) **LOC (12) Cl.** **16-05**

(52) **U.S. Cl.**
USPC **D16/245**

(58) **Field of Classification Search**
USPC D16/219, 237–250; D8/354, 355, 363,
D8/373, 382–383, 394–396; D14/224,
D14/229, 238, 251, 447, 451, 457
CPC A45F 2200/0508–0533; A45F 5/00; A45F
5/10; F16M 11/06–10; F16M 11/14;
G02B 7/00–002; G03B 17/56; G03B
17/561–568; H04N 5/2253–2254
See application file for complete search history.

(56) **References Cited**

U.S. PATENT DOCUMENTS

D552,148 S * 10/2007 Yamakawa D16/203
D591,755 S * 5/2009 Richter D14/253

(57) **CLAIM**

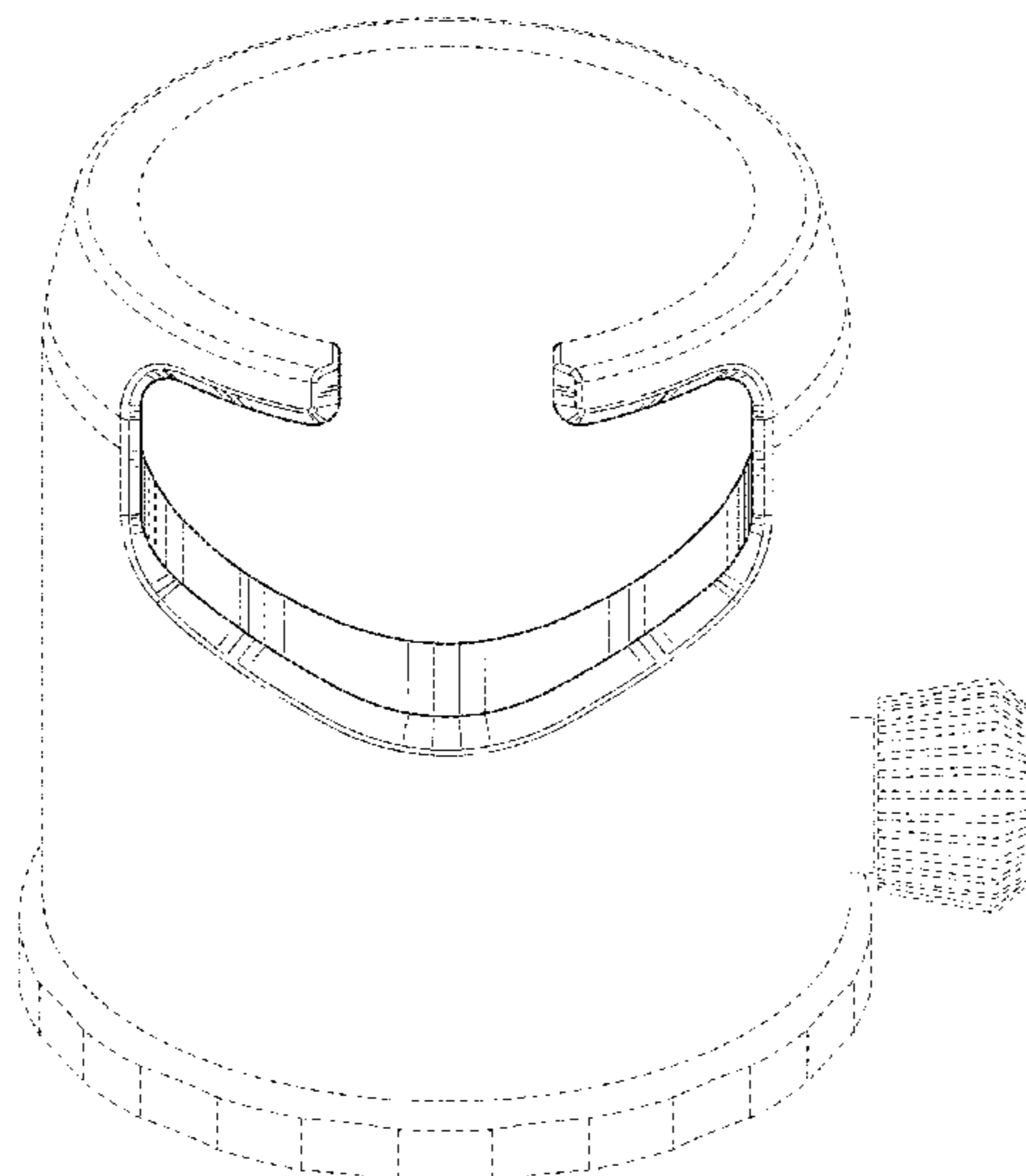
The ornamental design for a tripod head, as shown and described.

DESCRIPTION

FIG. 1 is a front perspective view of a tripod head in accordance with the present invention;
FIG. 2 is a front view thereof;
FIG. 3 is a rear view thereof;
FIG. 4 is a left side view thereof;
FIG. 5 is a right side view thereof;
FIG. 6 is a top view thereof; and,
FIG. 7 is a front perspective view thereof showing environmental structure, specifically a ball joint, inside the tripod head cavity.

The broken lines shown in the drawings depict portions of the tripod head that form no part of the claimed design.

1 Claim, 7 Drawing Sheets



(56)

References Cited

U.S. PATENT DOCUMENTS

2013/0163978 A1* 6/2013 Carlesso F16M 11/14
396/428

* cited by examiner

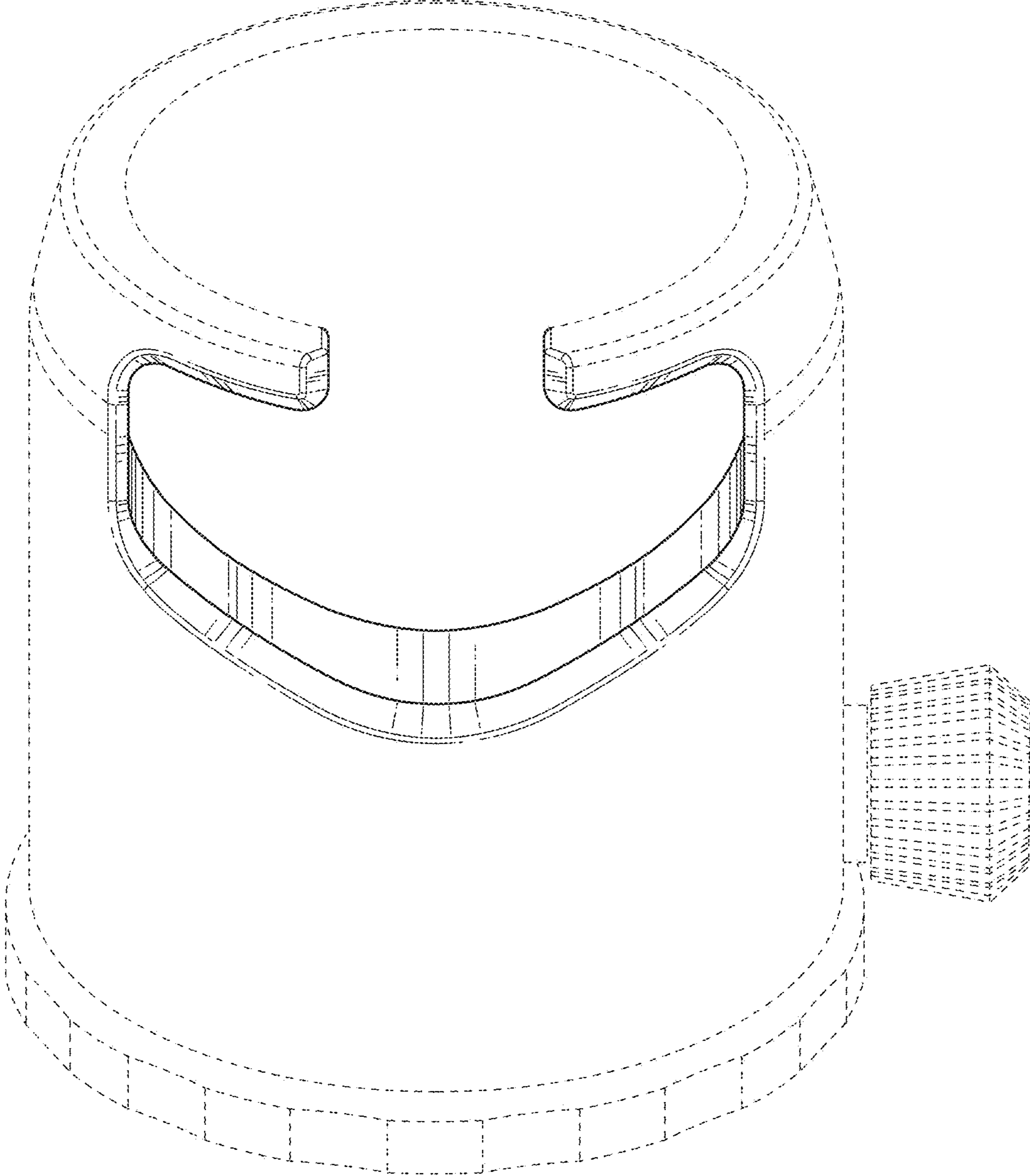


FIG. 1

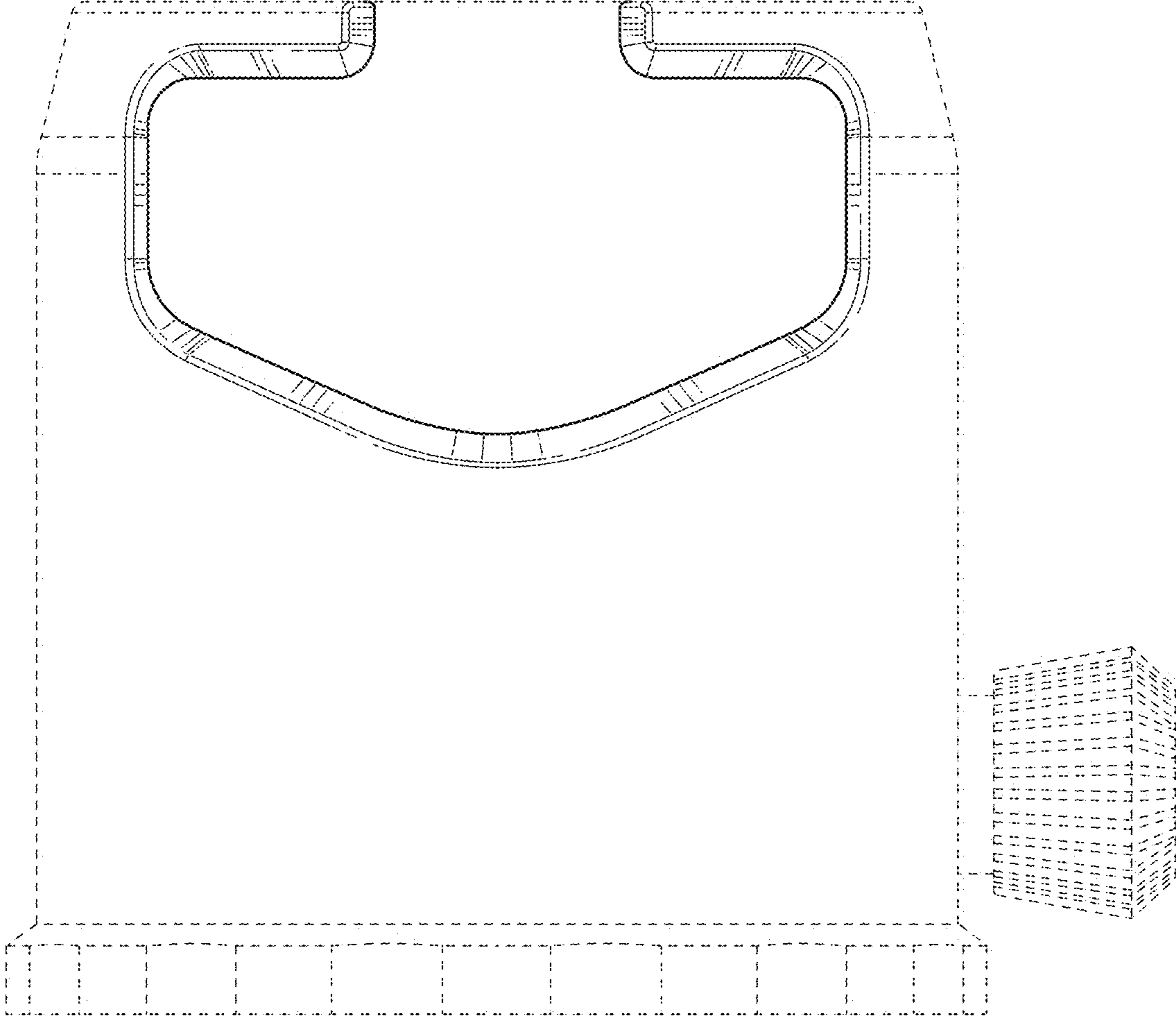


FIG. 2

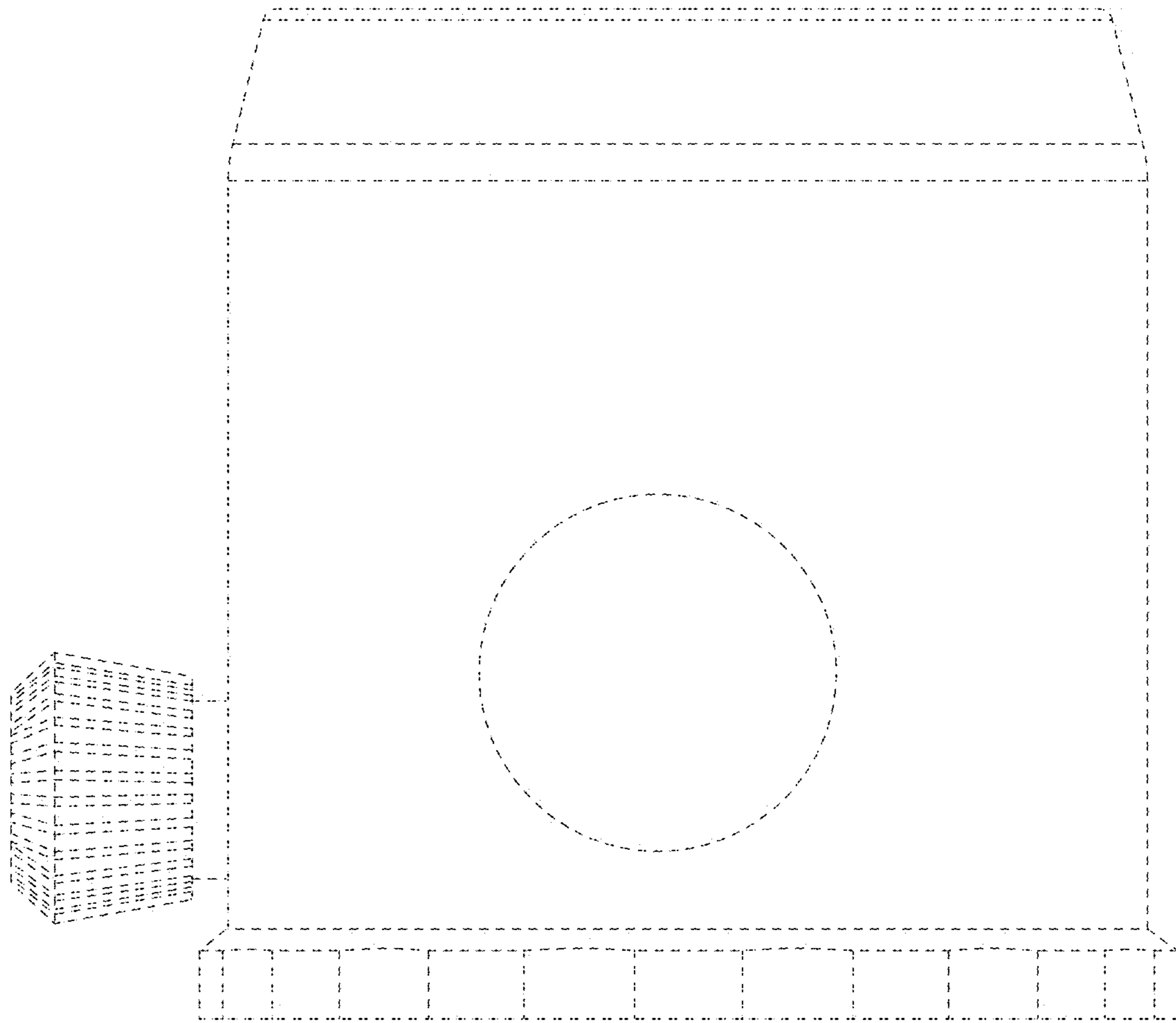


FIG. 3

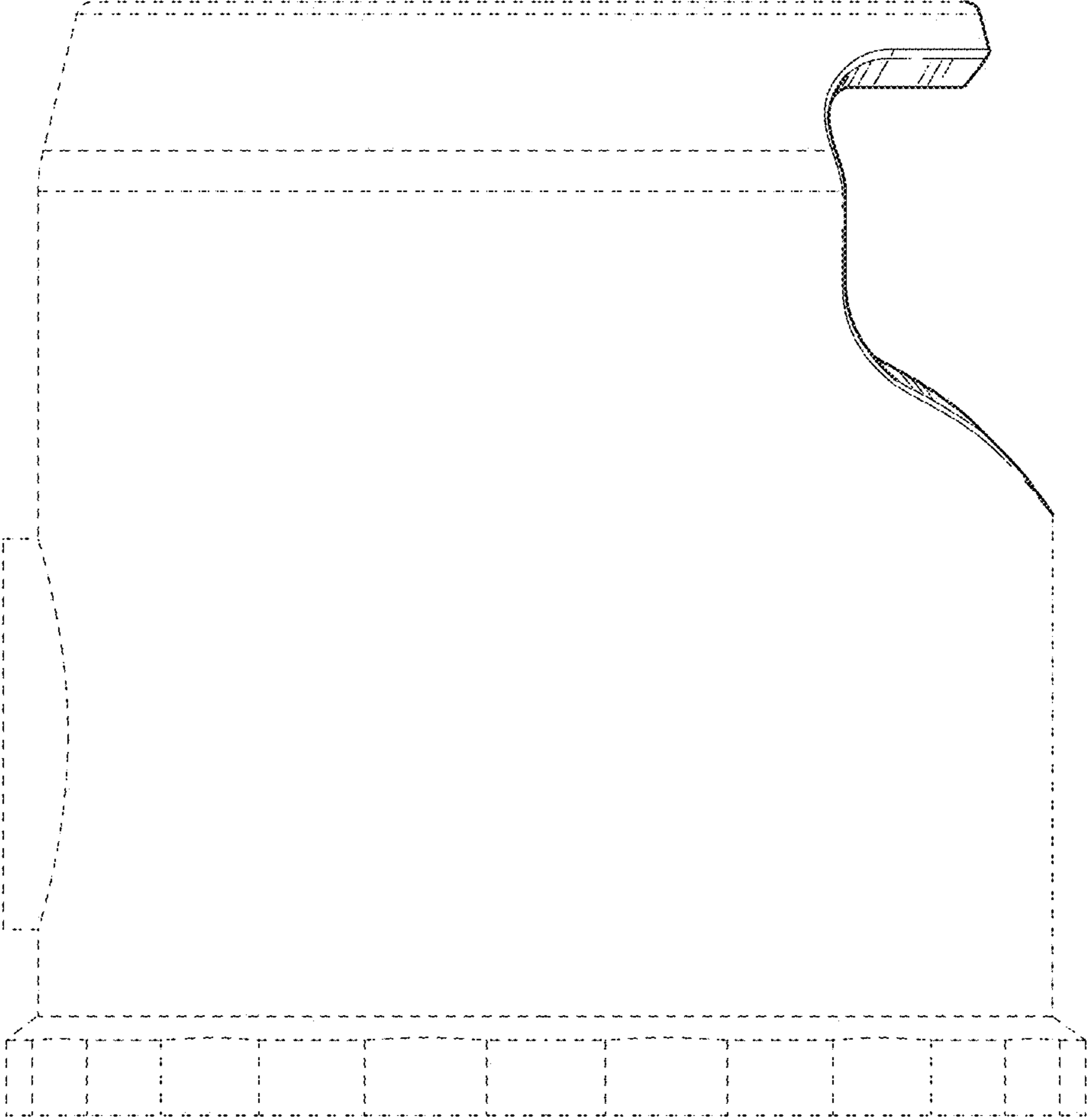


FIG. 4

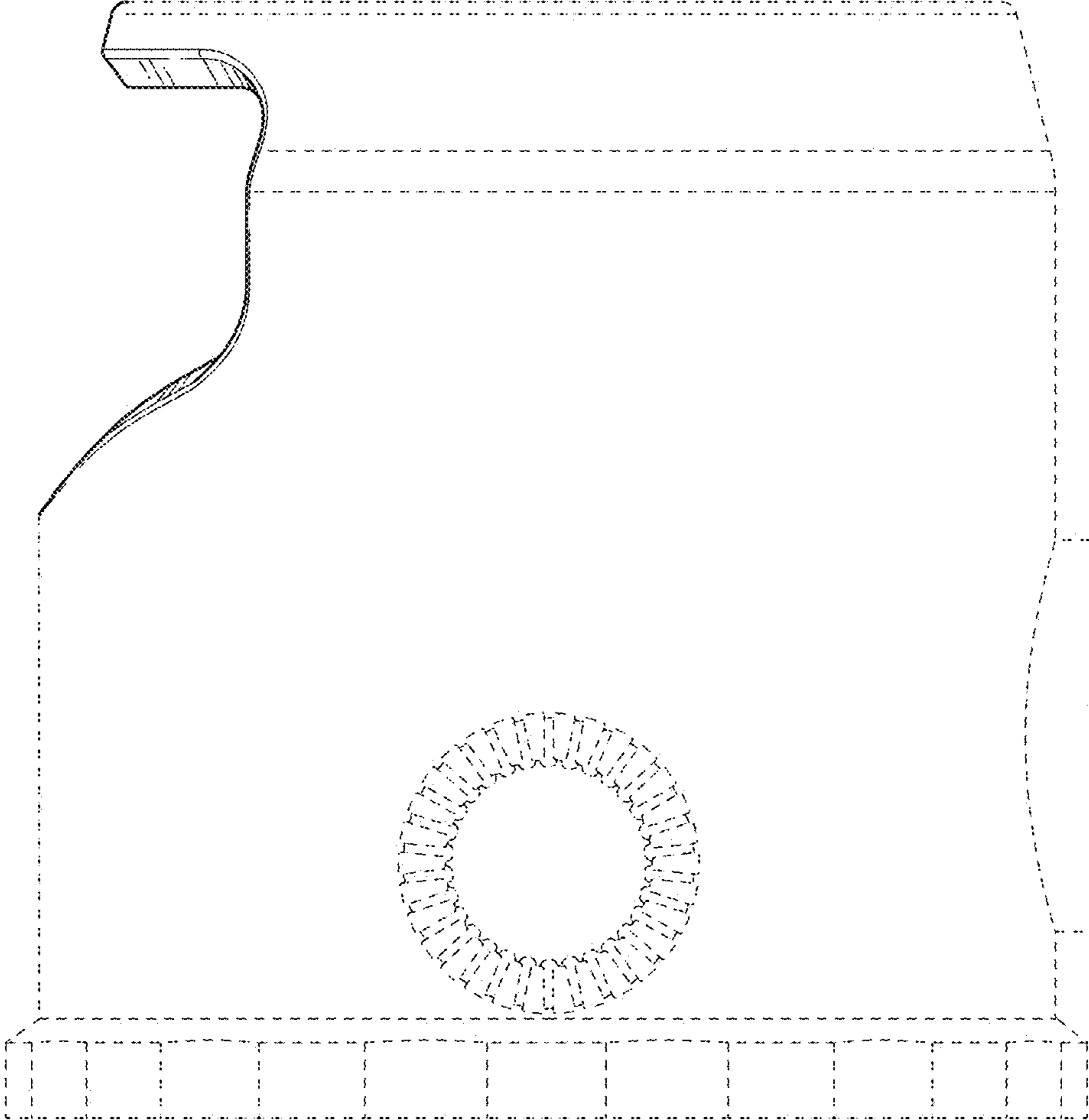


FIG. 5

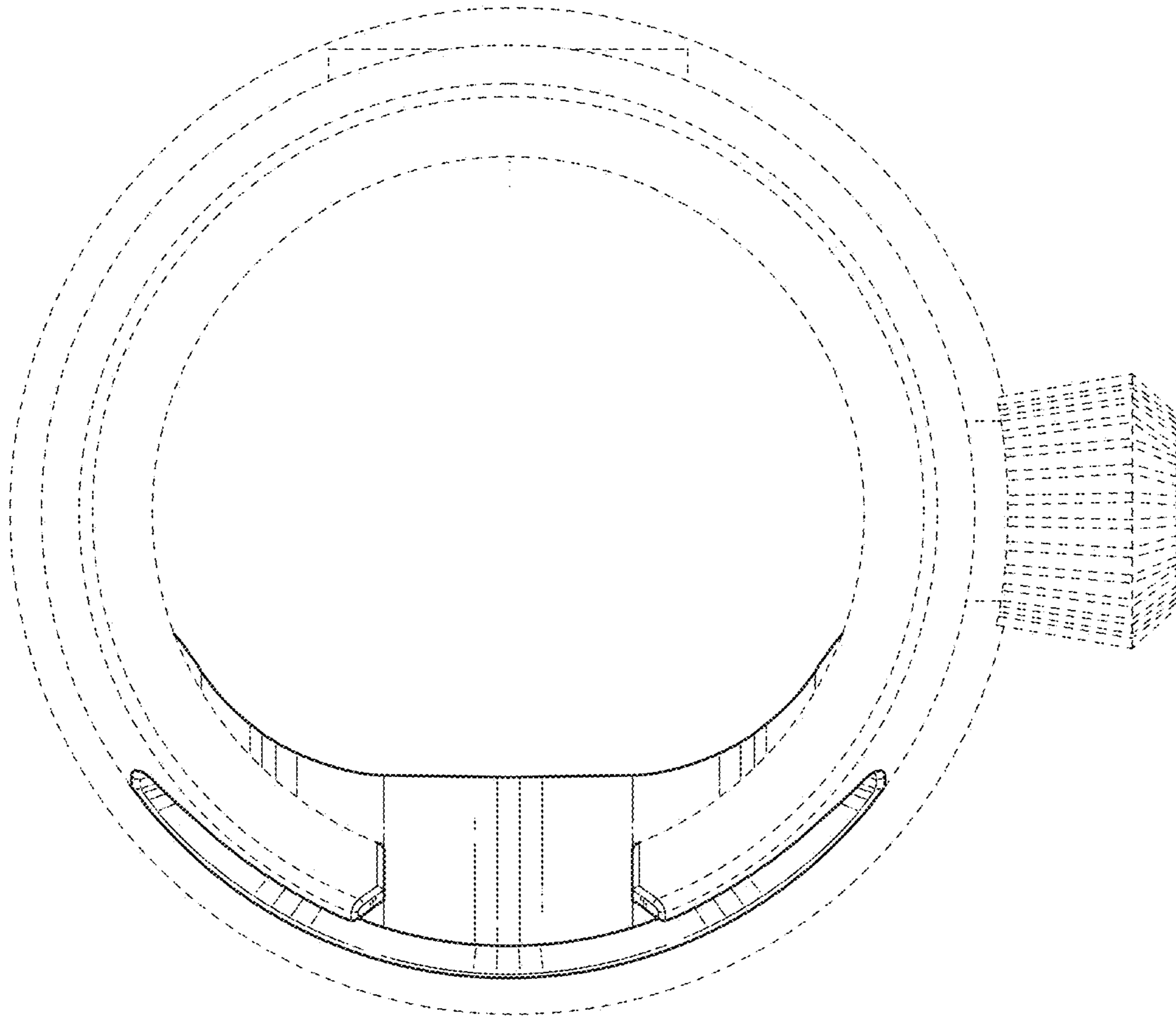


FIG. 6

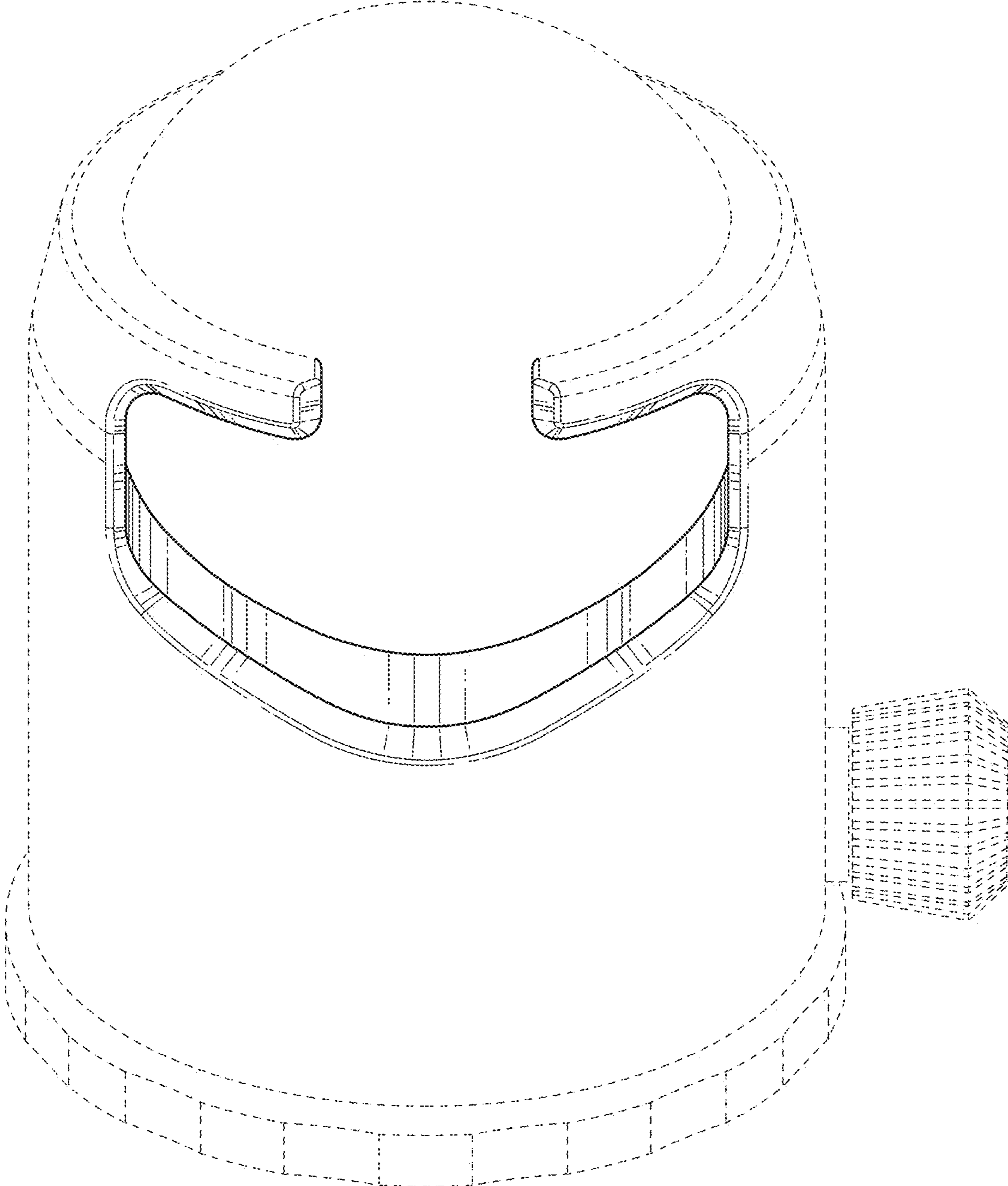


FIG. 7