



US00D883369S

(12) **United States Design Patent**  
**Xia**

(10) **Patent No.:** **US D883,369 S**

(45) **Date of Patent:** **\*\* May 5, 2020**

(54) **MULTIFUNCTIONAL PHOTOGRAPHING SUPPORT**

(71) Applicant: **DONGGUAN OSM DIGITAL CO., LTD**, Dongguan (CN)

(72) Inventor: **Meihua Xia**, Shenzhen (CN)

(73) Assignee: **DONGGUAN OSM DIGITAL CO., LTD**, Dongguan (CN)

(\*\*) Term: **15 Years**

(21) Appl. No.: **29/714,759**

(22) Filed: **Nov. 26, 2019**

(30) **Foreign Application Priority Data**

Oct. 29, 2019 (CN) ..... 2019 3 0590993

(51) **LOC (12) Cl.** ..... **16-05**

(52) **U.S. Cl.**  
USPC ..... **D16/243**

(58) **Field of Classification Search**  
USPC ..... D16/219, 237-250; D8/354, 355, 363, D8/373, 382-383, 394-396; D14/224, D14/229, 238, 251, 253, 356, 447, 451, D14/457

CPC ..... A45F 5/00; A45F 5/10; A45F 2200/0508-0533; F16M 11/06-10; F16M 11/14; G02B 7/00-002; G03B  
(Continued)

(56) **References Cited**

**U.S. PATENT DOCUMENTS**

9,170,473 B1 \* 10/2015 Li ..... B25J 15/0095  
D765,649 S \* 9/2016 Huang ..... D14/253  
(Continued)

**OTHER PUBLICATIONS**

Selfie Stick Tripod,54 inch Extendable Camera Tripod for Cellphone,Wireless Remote for Apple & Android Devices, Com-

patible with iPhone 6 7 6 X Plus,Samsung Galaxy S9 Note8,Gopro Adapter Included , Retrieved Nov. 22, 2019]. Retrieved from Internet, <https://www.amazon.com/Extendable-Cellphone-Wireless-Compatible-Included/dp/BO7HLMXWP8/>.

(Continued)

*Primary Examiner* — Vy N Koenig

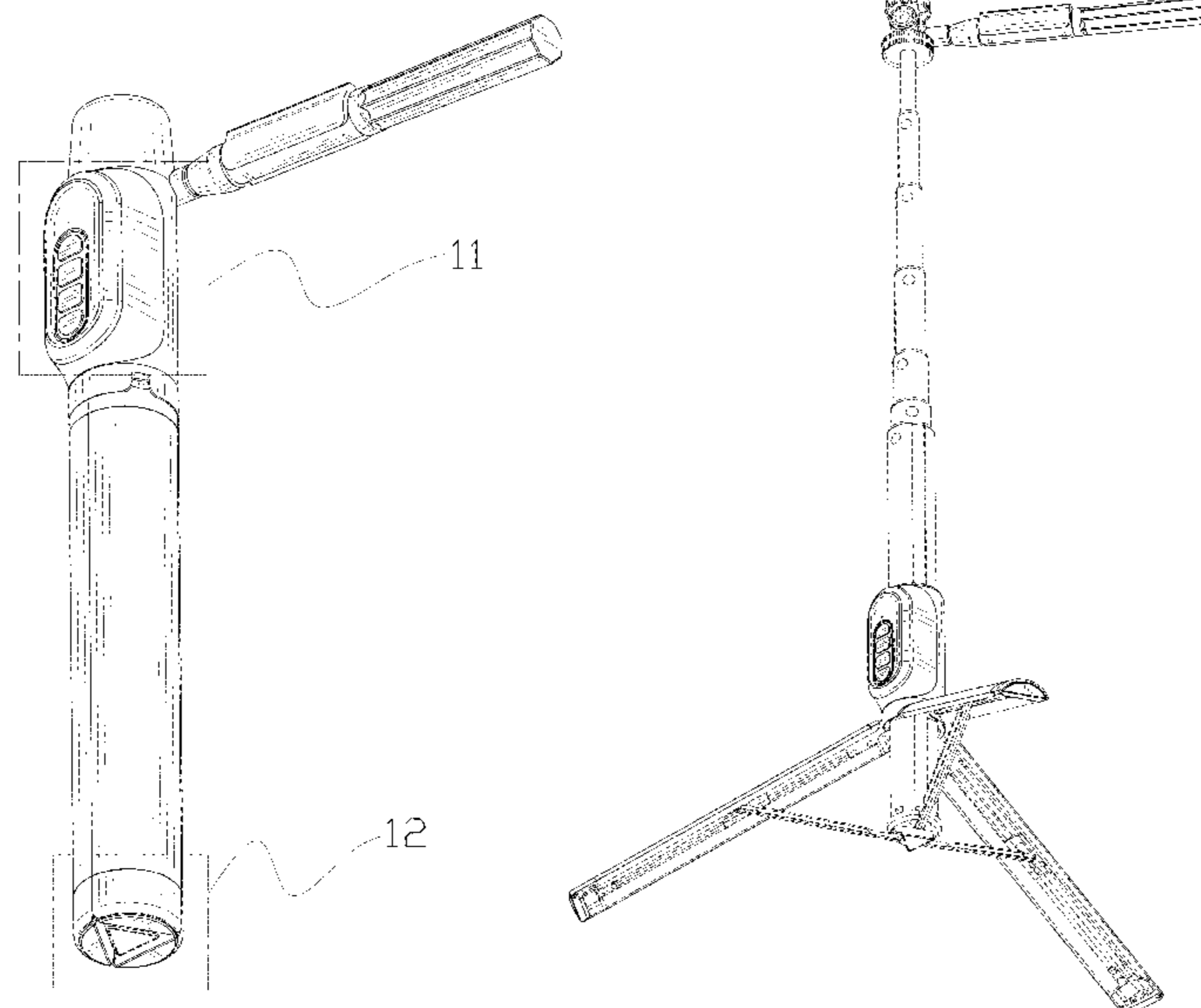
(57) **CLAIM**

The ornamental design for a multifunctional photographing support, as shown and described.

**DESCRIPTION**

FIG. 1 is a perspective view of a multifunctional photographing support showing my new design where a remote controller is arranged on a main body of the multifunctional photographing support;  
FIG. 2 is another perspective view thereof;  
FIG. 3 is a front elevational view thereof;  
FIG. 4 is a rear elevational view thereof;  
FIG. 5 is a left side elevational view thereof;  
FIG. 6 is a right side elevational view thereof;  
FIG. 7 is a top plan view thereof;  
FIG. 8 is a bottom plan view thereof;  
FIG. 9 is a perspective view of the multifunctional photographing support where the remote controller is arranged on a support of the multifunctional photographing support;  
FIG. 10 is a perspective view of the multifunctional photographing support where the multifunctional photographing support is in a configuration of use;  
FIG. 11 is an enlarged view of portion 11 shown in FIG. 1; and,  
FIG. 12 is an enlarged view of portion 12 shown in FIG. 1. The broken lines in the drawings depict portions of the multifunctional photographing support that form no part of the claimed design.

**1 Claim, 12 Drawing Sheets**



(58) **Field of Classification Search**

CPC ..... 17/56; G03B 17/561-566; H04N  
5/2253-2254

See application file for complete search history.

(56) **References Cited**

U.S. PATENT DOCUMENTS

D765,650 S *	9/2016	Huang .....	D14/253
D785,074 S *	4/2017	Woodman .....	D16/243
D800,206 S *	10/2017	Moon .....	D16/244
D821,483 S *	6/2018	Vitale .....	D16/244
D837,868 S *	1/2019	Shan .....	D16/243
D841,724 S *	2/2019	Huang .....	D16/243
D852,872 S *	7/2019	Fang .....	D16/243
D852,873 S *	7/2019	Fang .....	D16/243
D860,298 S *	9/2019	Balmer .....	D16/244

OTHER PUBLICATIONS

Kusky Selfie Stick Tripod Bluetooth Upgraded, Phone & Camera Tripod Selfie Stick with Wireless Remote Shutter for Gopro, Action Cameras, iPhone Xs MAX/XR/XS/S/Galaxy S9 Plus and More , Retrieved Nov. 22, 2019]. Retrieved from Internet, <https://www.amazon.com/KUSKY-Bluetooth-Upgraded-Wireless-Shutter/dp/B07L9T15QY/>.

\* cited by examiner

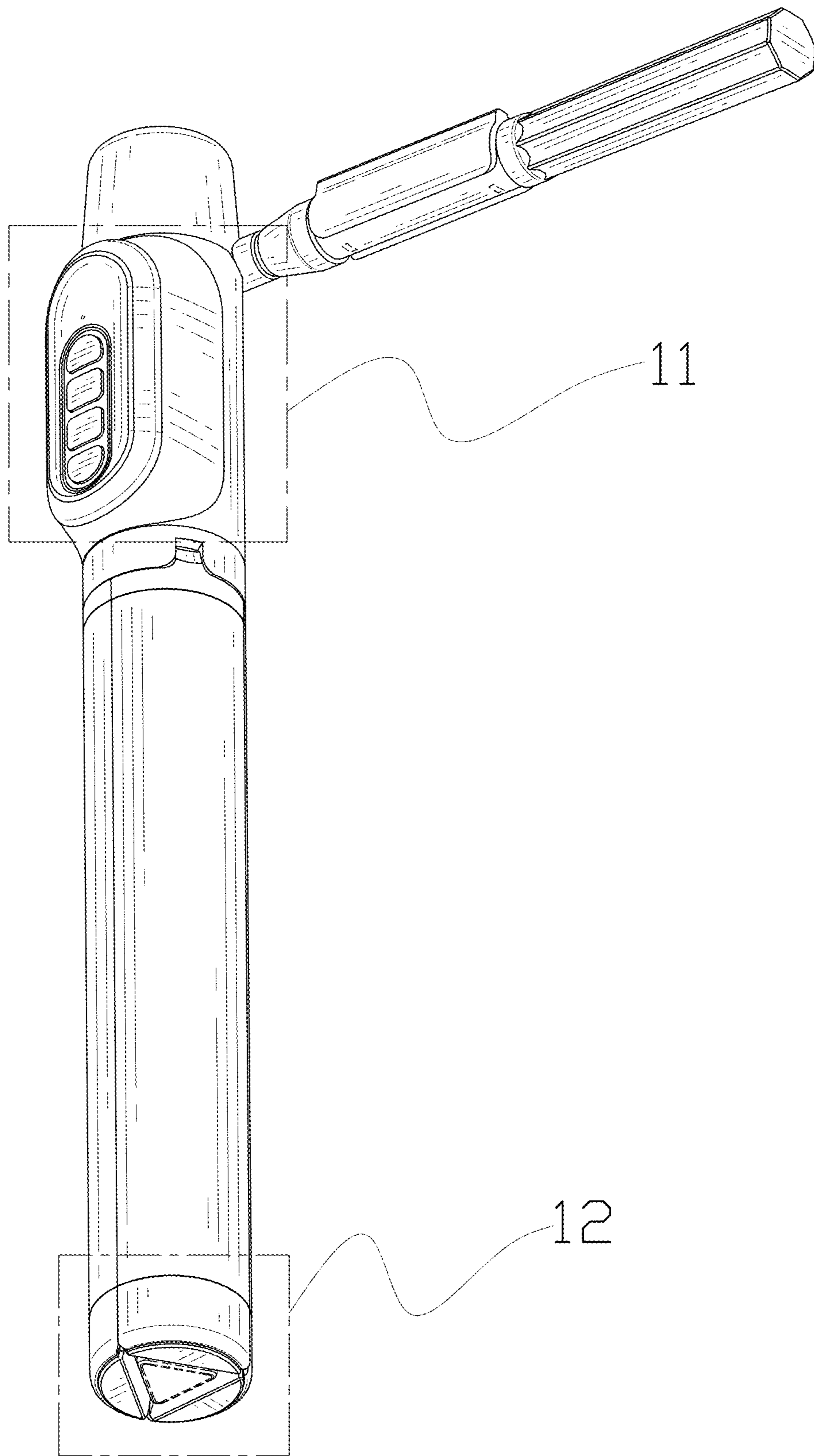


FIG. 1

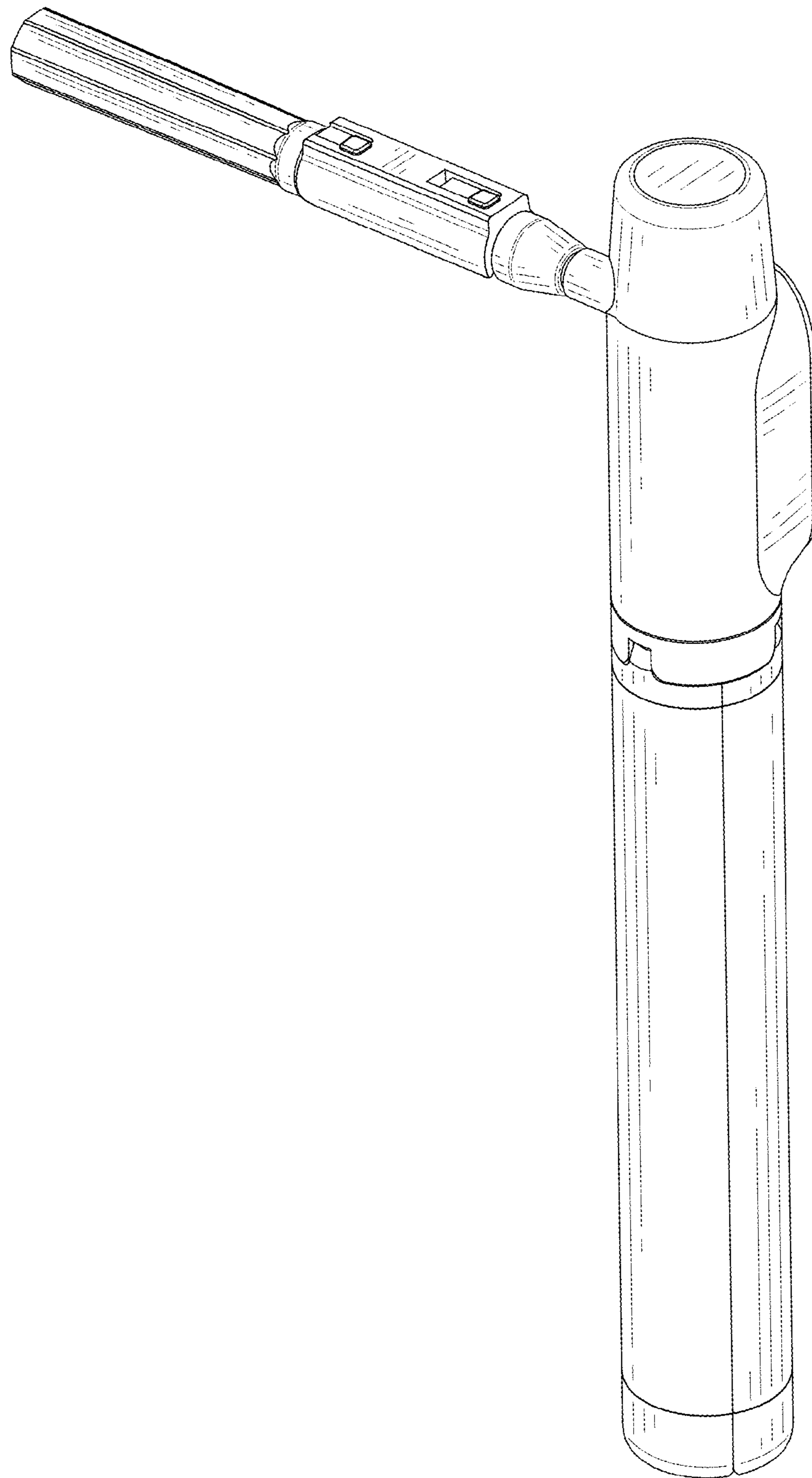


FIG. 2

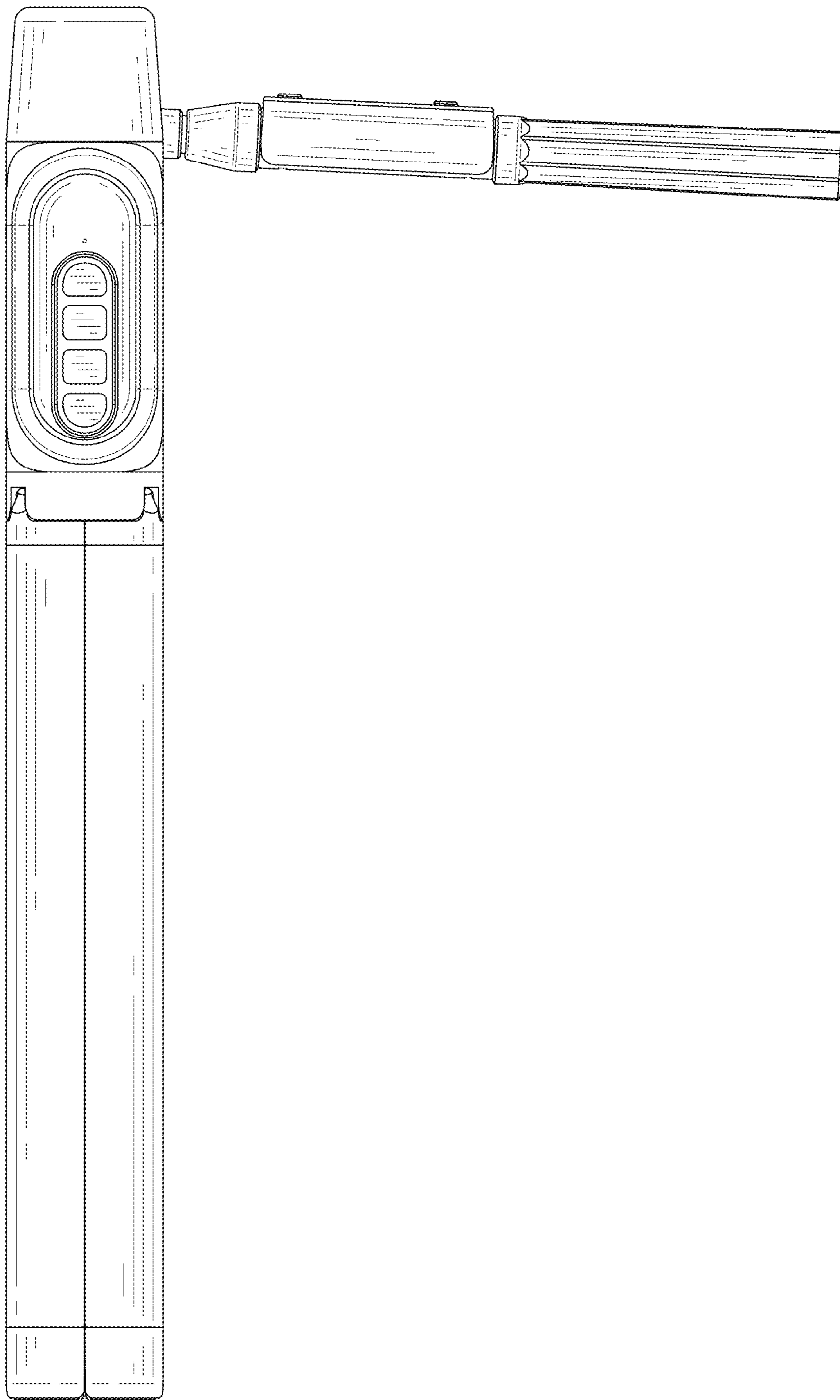


FIG. 3

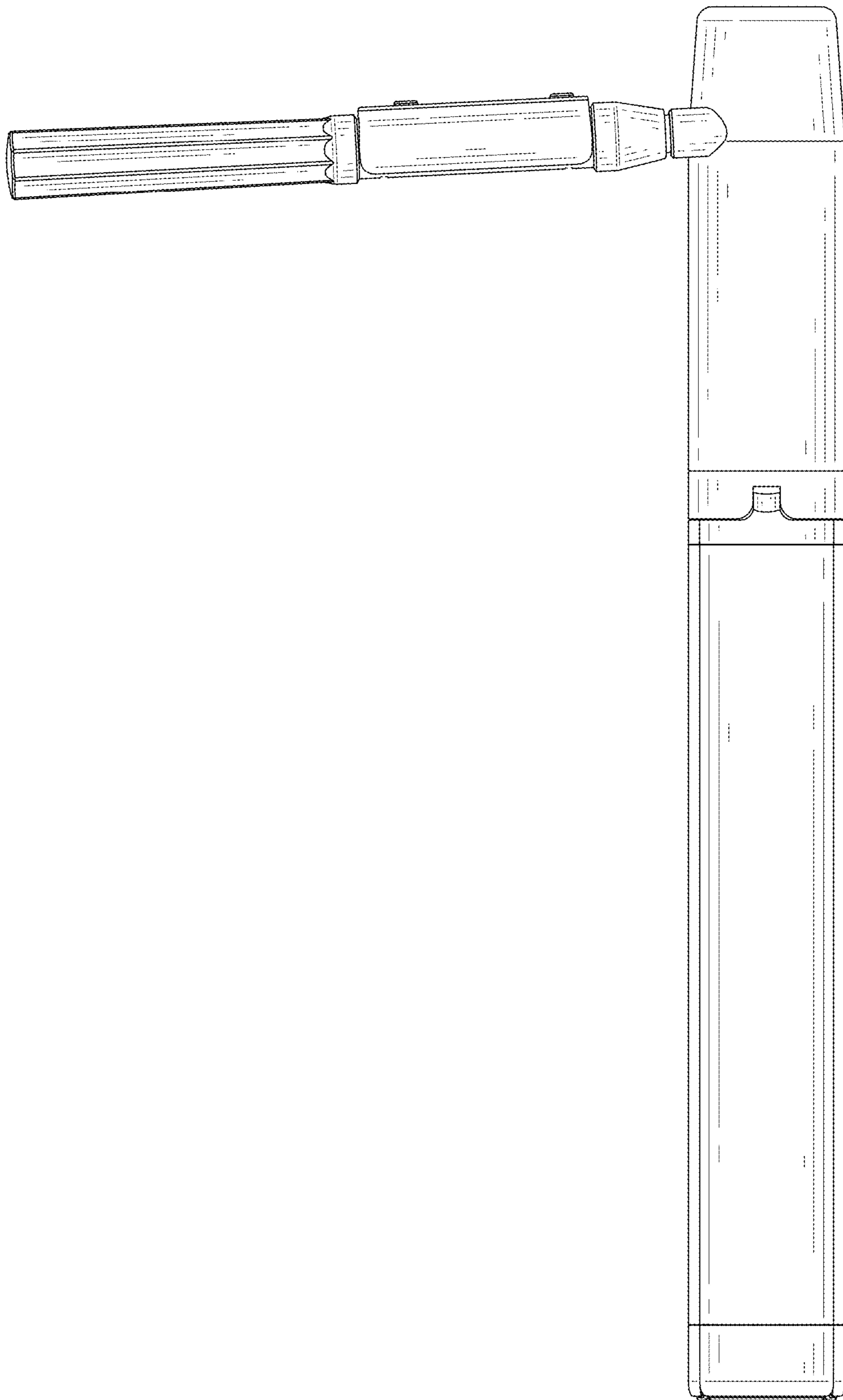


FIG. 4

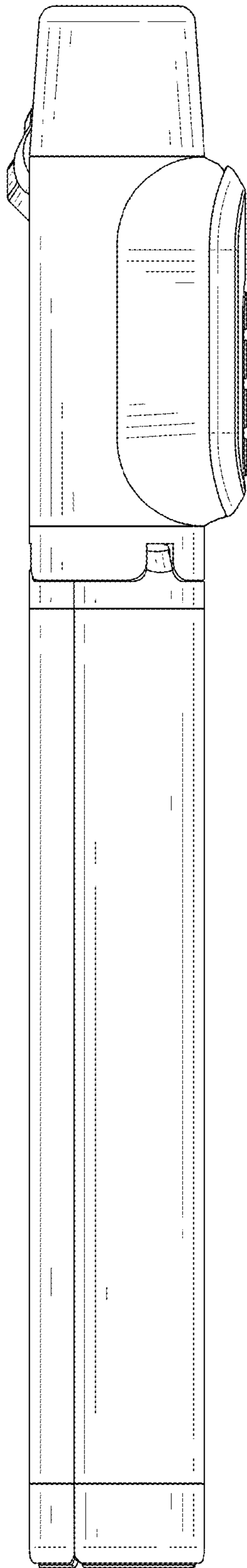


FIG. 5

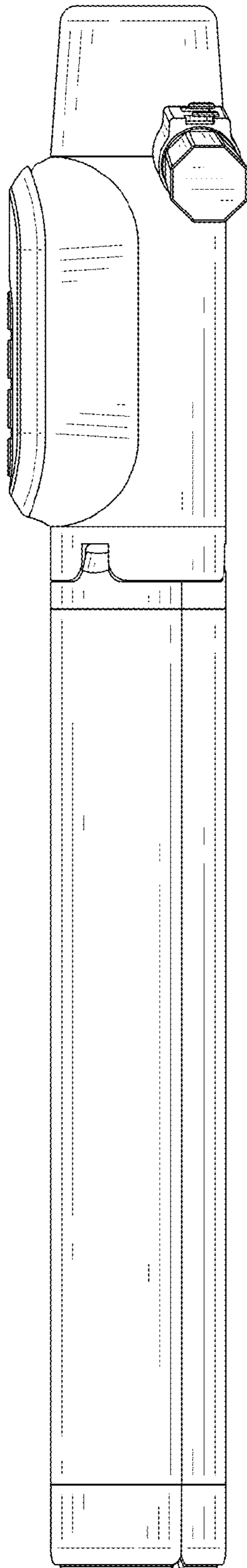


FIG. 6



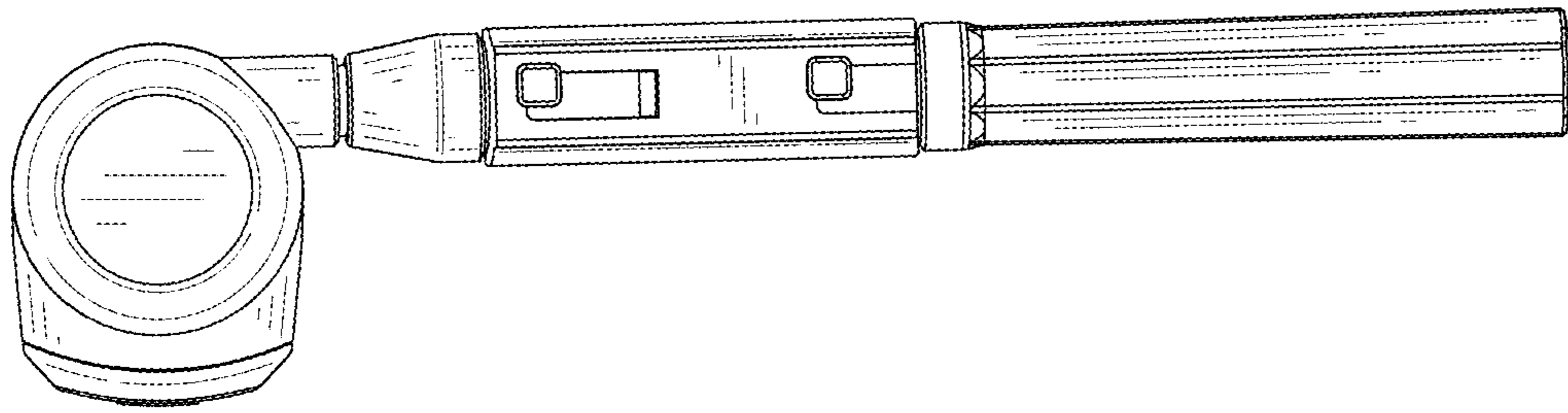


FIG. 7

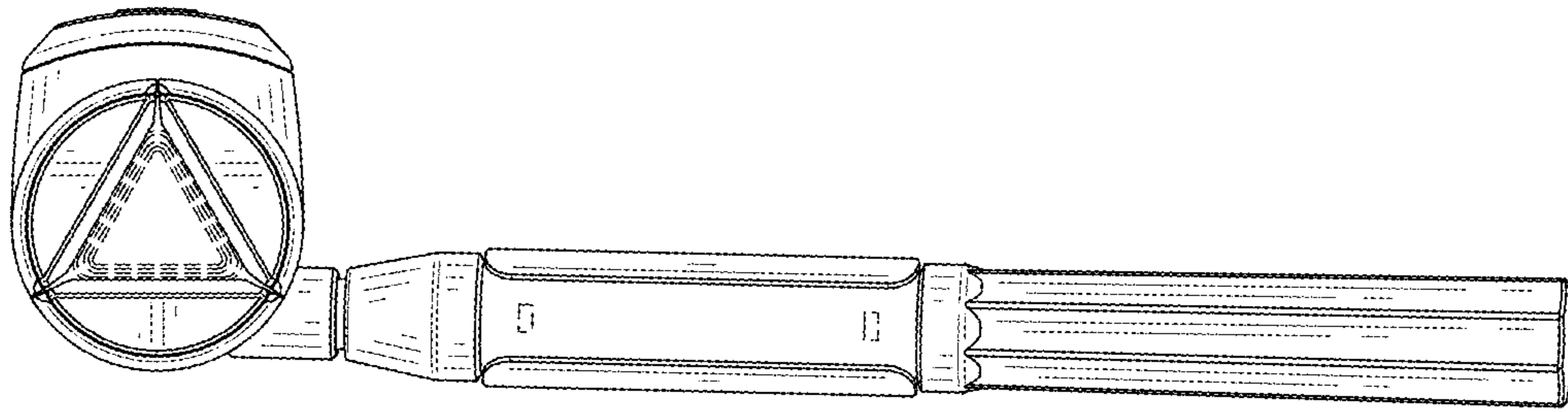


FIG. 8

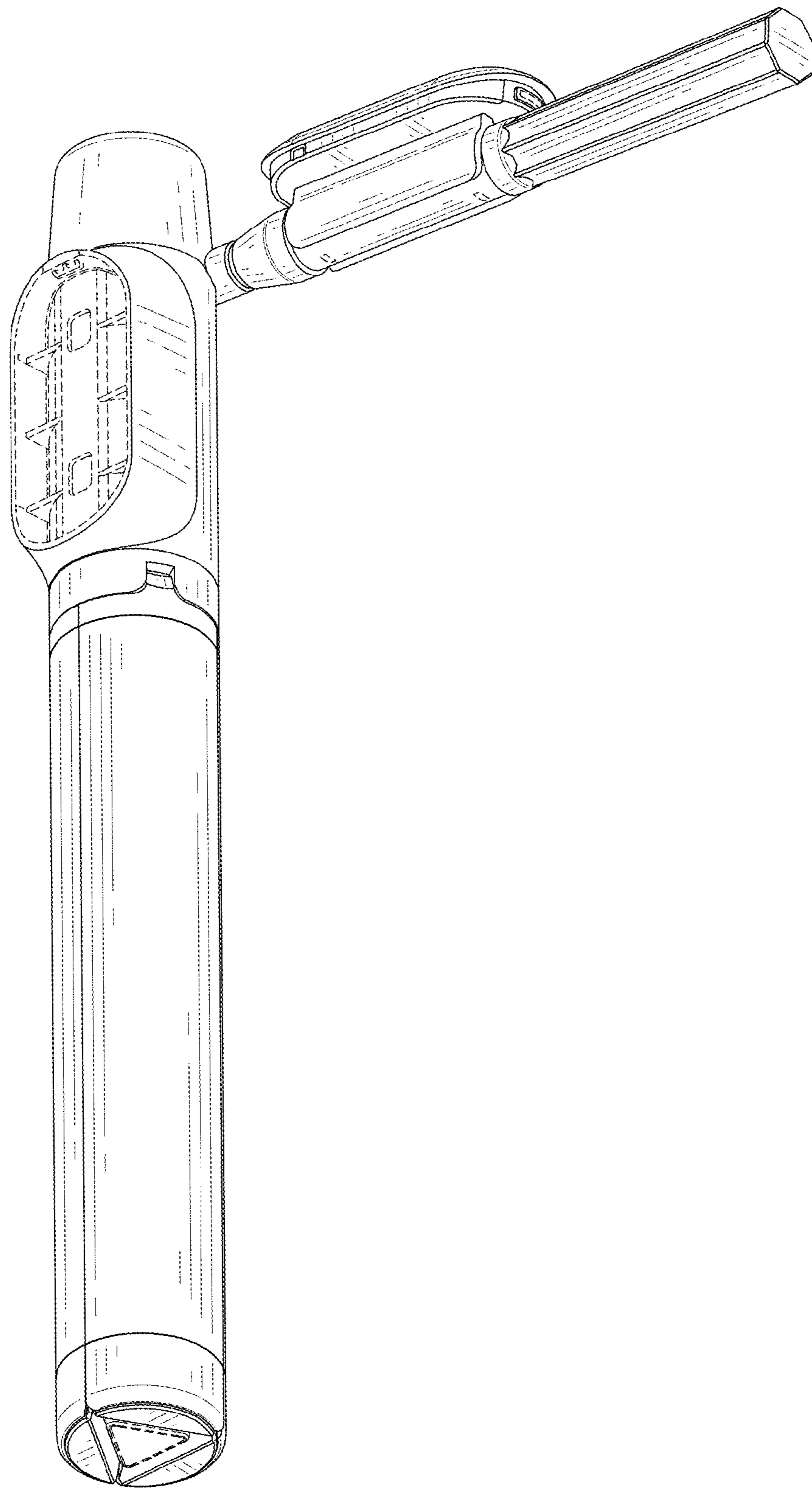


FIG. 9

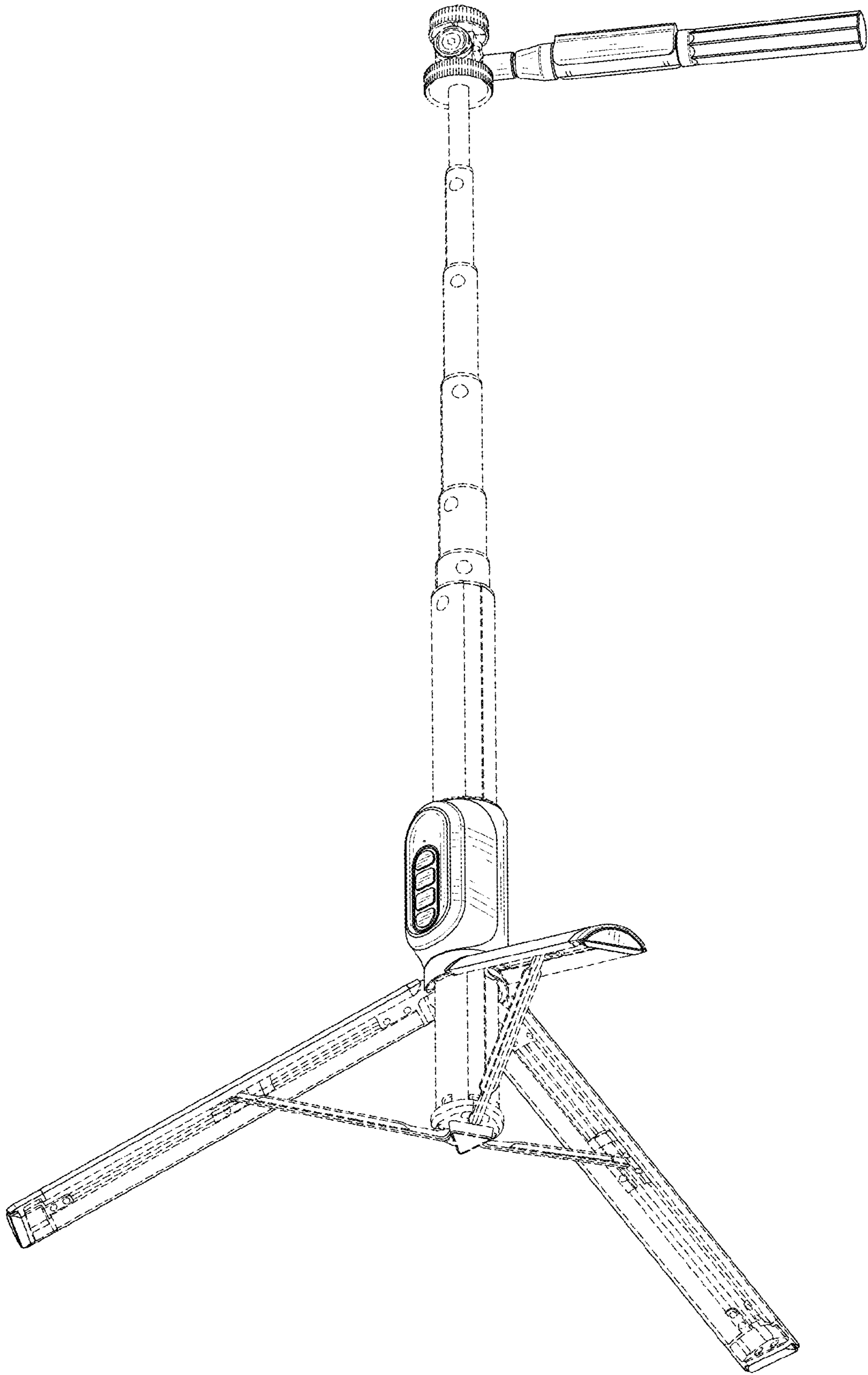


FIG. 10

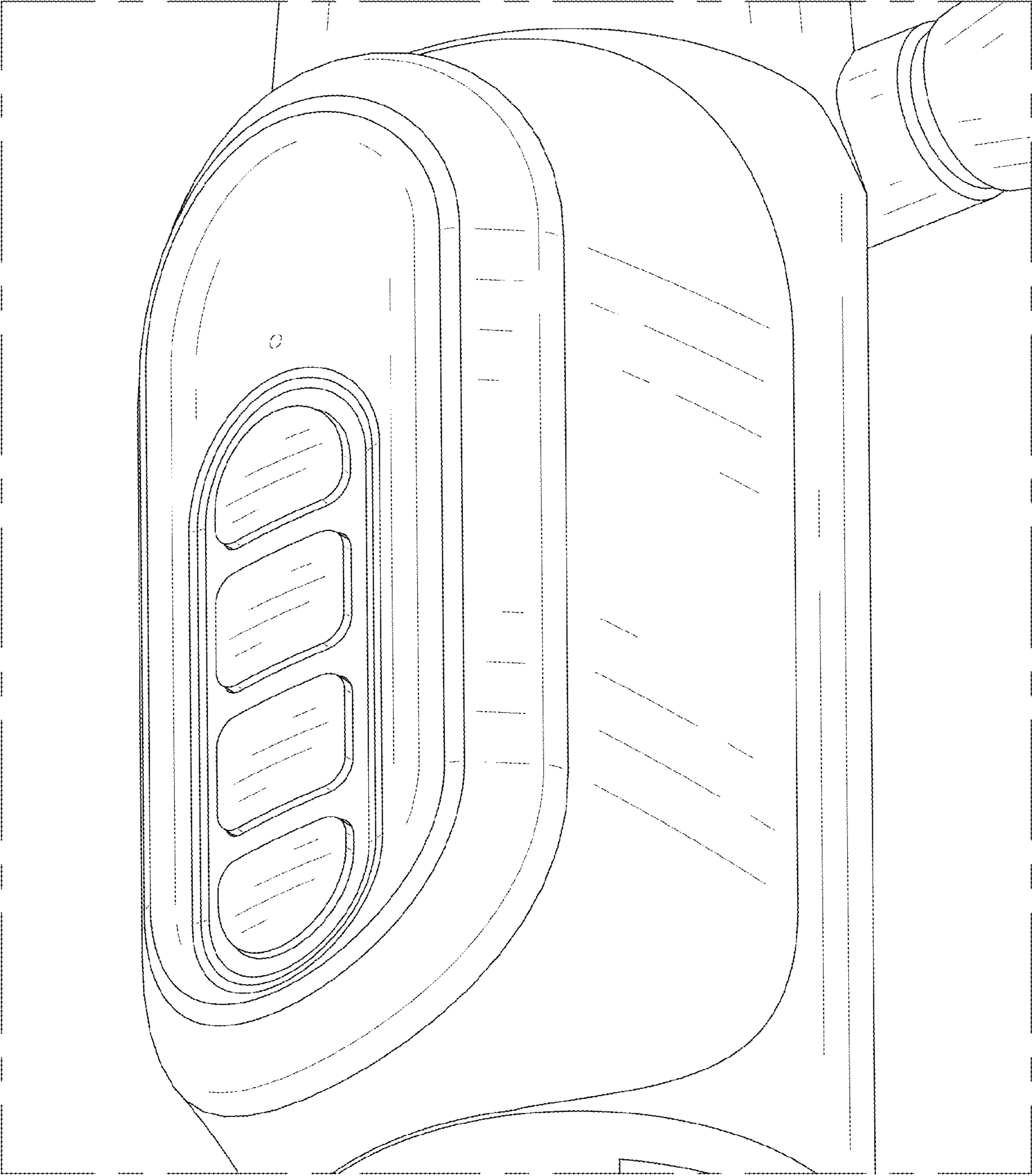


FIG. 11

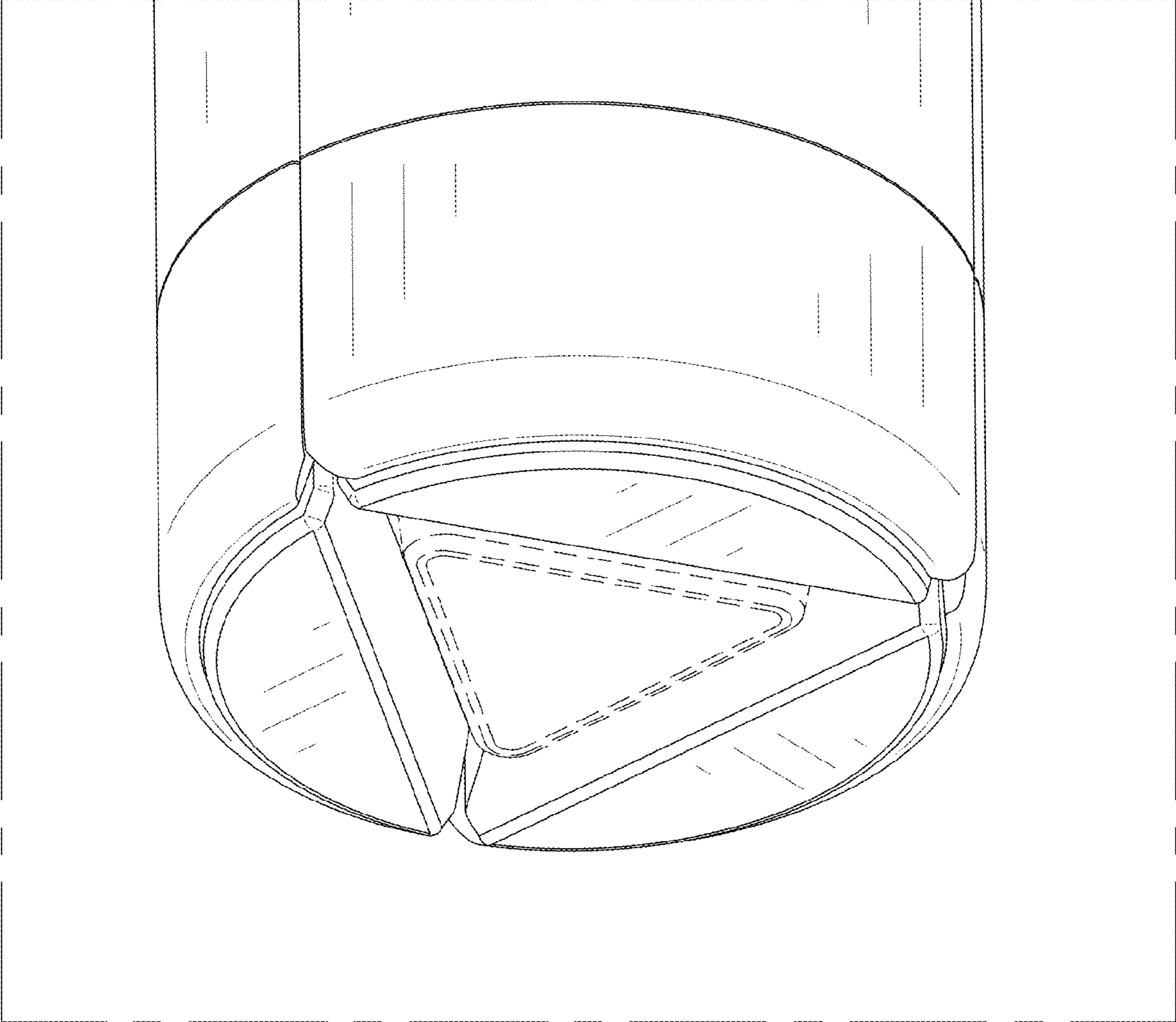


FIG. 12