



US00D883368S

(12) **United States Design Patent**
Zhan et al.

(10) **Patent No.:** **US D883,368 S**

(45) **Date of Patent:** **** May 5, 2020**

(54) **CAMERA LIGHT**

(71) Applicants: **Wei Zhan**, Fujian (CN); **Xiaohong Zhan**, Fujian (CN)

(72) Inventors: **Wei Zhan**, Fujian (CN); **Xiaohong Zhan**, Fujian (CN)

(73) Assignee: **Fuzhou Bailing Imaging Equipment Co. Ltd**, Fuzhou (CN)

(**) Term: **15 Years**

(21) Appl. No.: **29/673,226**

(22) Filed: **Dec. 13, 2018**

(30) **Foreign Application Priority Data**

Sep. 28, 2018 (CN) 2018 3 0546077

(51) **LOC (12) Cl.** **16-05**

(52) **U.S. Cl.**
USPC **D16/239**

(58) **Field of Classification Search**
USPC D16/208–209, 219, 237–250; D8/354, D8/355, 363, 373, 382–383, 394–396; D14/224, 229, 238, 251, 253, 447, 451, D14/457
CPC F16M 11/06–10; F16M 11/14; G02B 7/00–002; G03B 17/56; G03B 17/561–568; H04N 5/2253–2254
See application file for complete search history.

(56) **References Cited**

U.S. PATENT DOCUMENTS

D618,372 S * 6/2010 Hopkins D26/60
D677,815 S * 3/2013 Zhan D16/239
8,625,273 B2 * 1/2014 Zhou F16M 13/00
361/679.41

D699,279 S * 2/2014 Zhan D16/239
9,332,170 B1 * 5/2016 Khalili G03B 17/563
D797,835 S * 9/2017 Nakajima D16/200
9,930,795 B2 * 3/2018 Chang H05K 5/023
D824,559 S * 7/2018 Ljunggren D26/63
10,413,028 B2 * 9/2019 Wang G03B 17/14

OTHER PUBLICATIONS

Boling BL-P1 Pocket LED RGB Video Light BL-P1—Adorama. [online] Retrieved Dec. 6, 2019 from URL: https://www.adorama.com/boblp1.html?gclid=CjwKCAiAlajvBRB_EiwA4vAqilqac6xl-H3PNQzgHgVX2YNGQu8eOMGV05f25qViNJVHjfOeZQUJBoCzykQAvD_BwE.*

* cited by examiner

Primary Examiner — Vy N Koenig

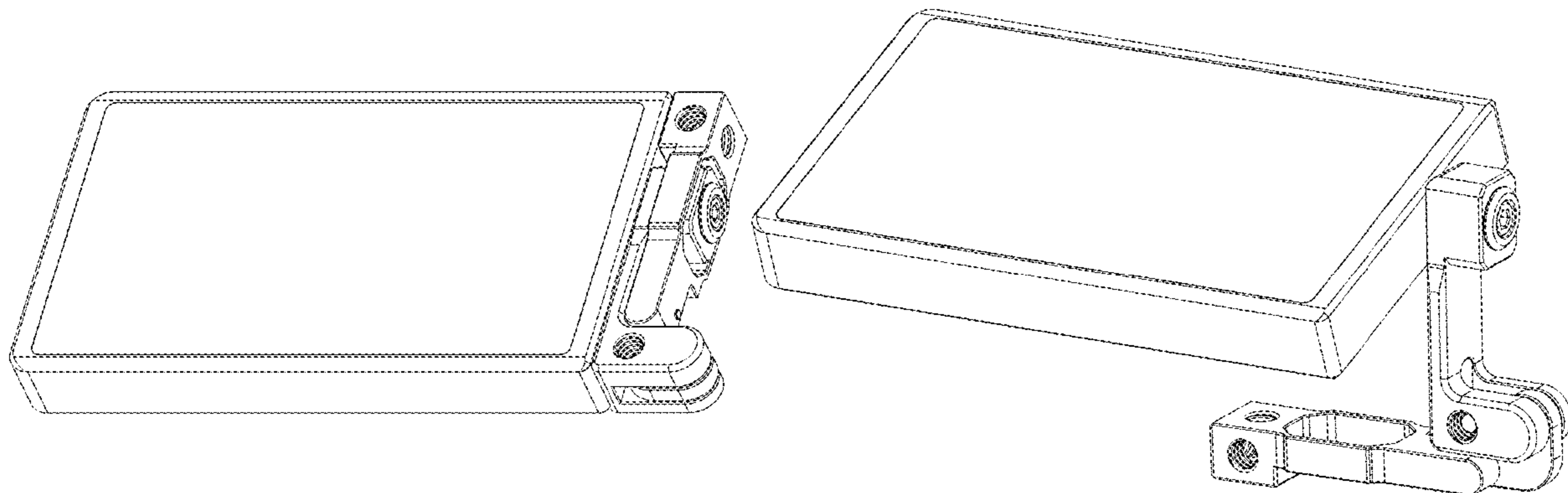
(57) **CLAIM**

The ornamental design for a camera light, as shown and described.

DESCRIPTION

FIG. 1 is a perspective view of a camera light showing our new design;
FIG. 2 is another perspective view thereof;
FIG. 3 is still another perspective view thereof;
FIG. 4 is a front elevational view thereof;
FIG. 5 is a rear elevational view thereof;
FIG. 6 is a left side view thereof;
FIG. 7 is a right side view thereof;
FIG. 8 is a top plan view thereof;
FIG. 9 is a bottom plan view thereof;
FIG. 10 is an alternate perspective view thereof showing our new design in an exemplary environment; and,
FIG. 11 is another alternate perspective view thereof showing our new design in an exemplary environment.

1 Claim, 9 Drawing Sheets



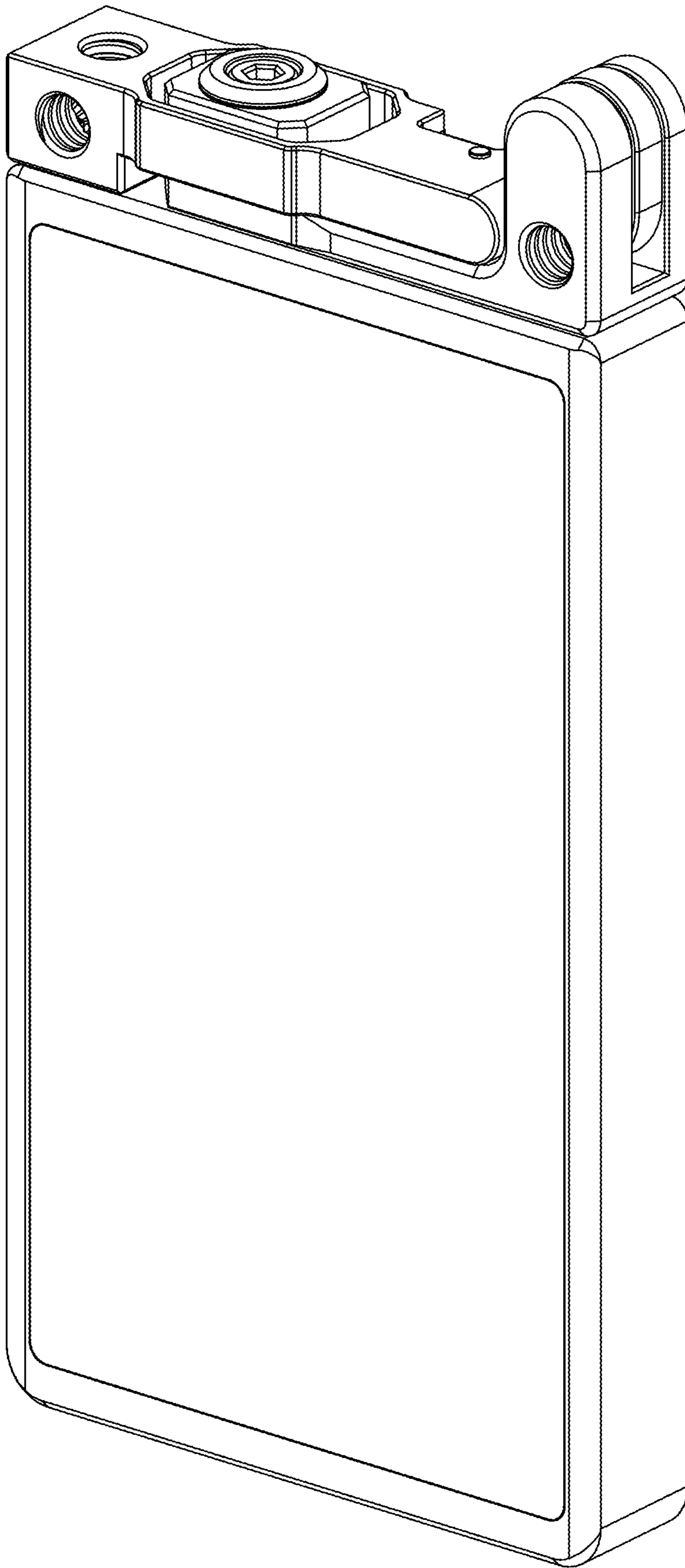


FIG. 1

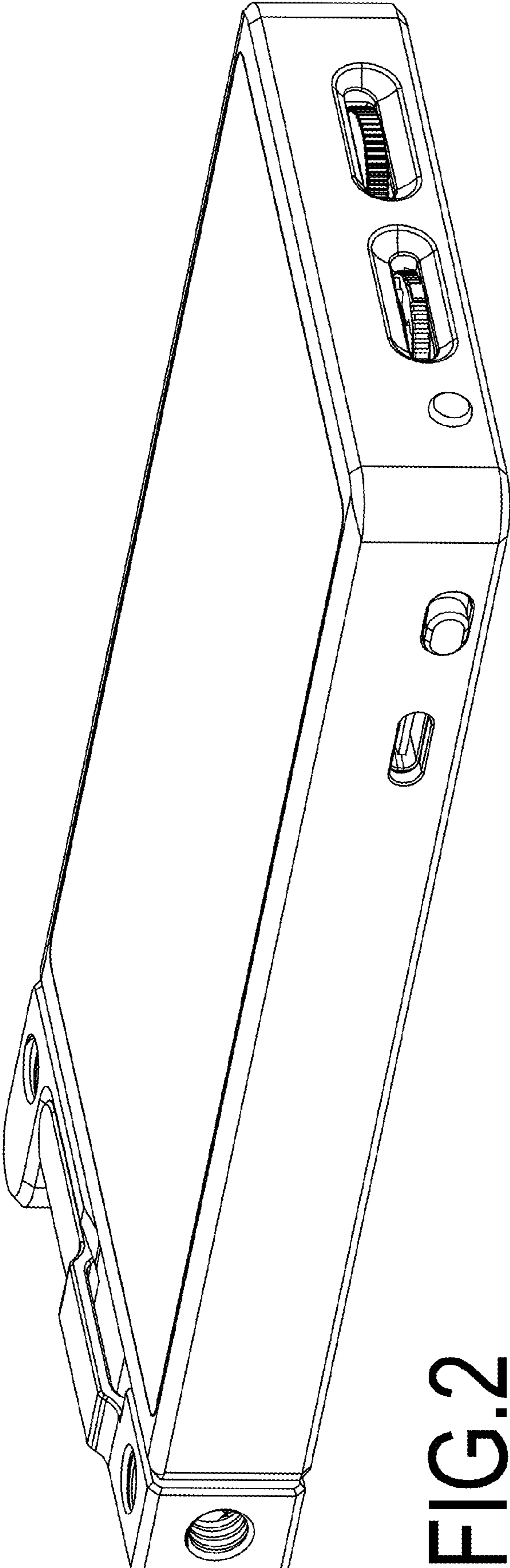


FIG.2

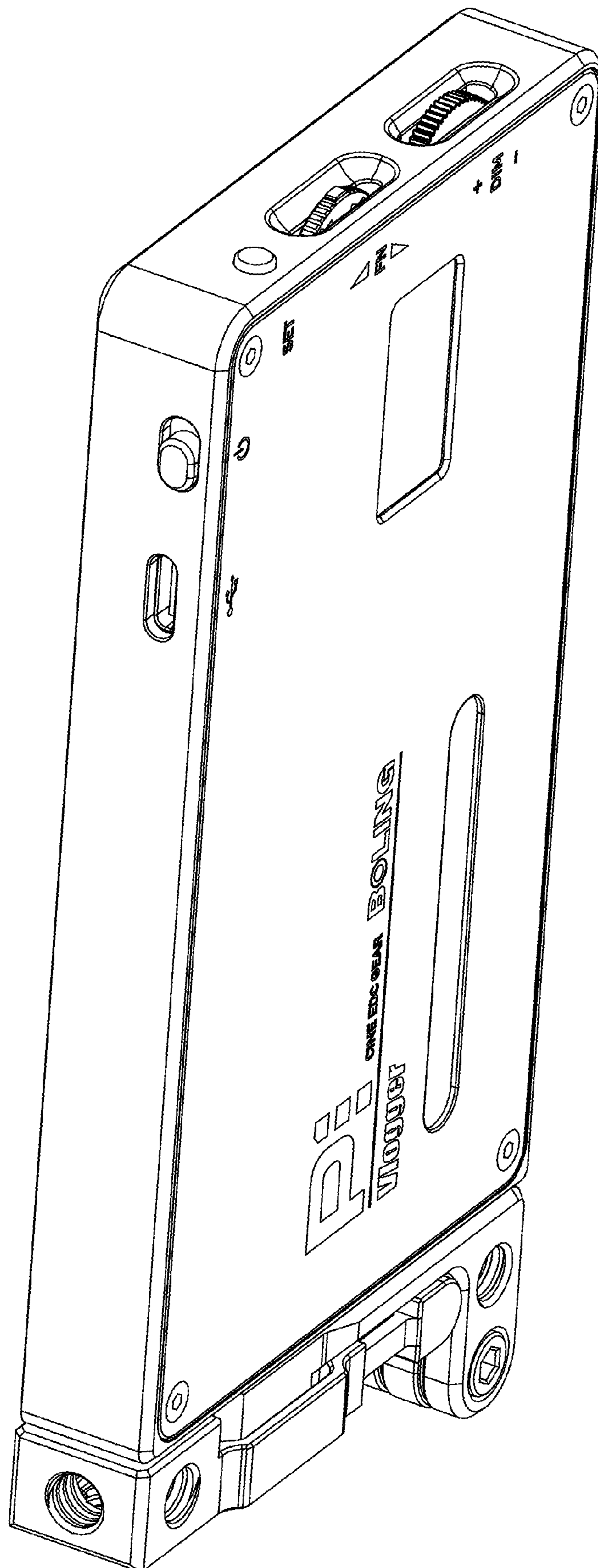


FIG.3

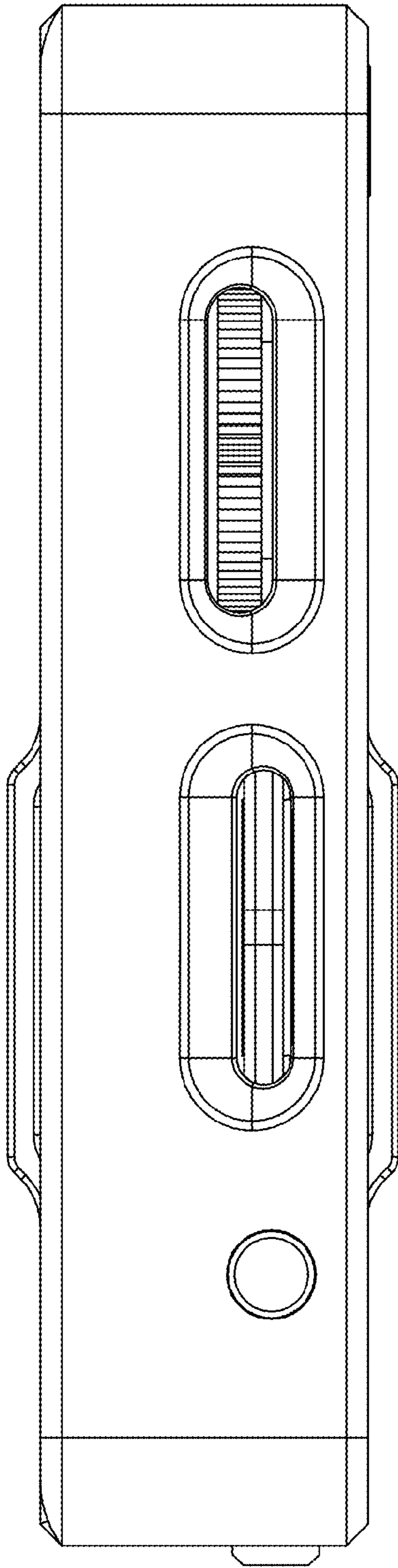


FIG. 4

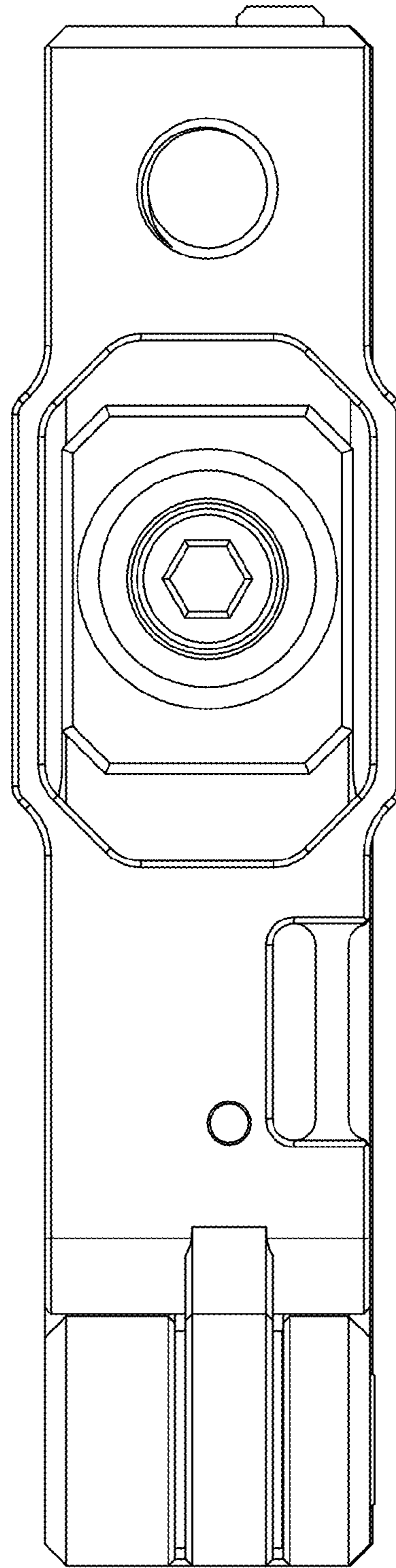


FIG. 5

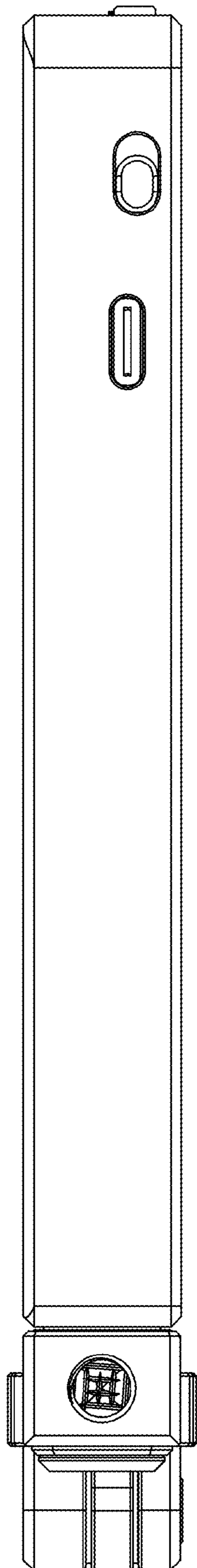


FIG. 6

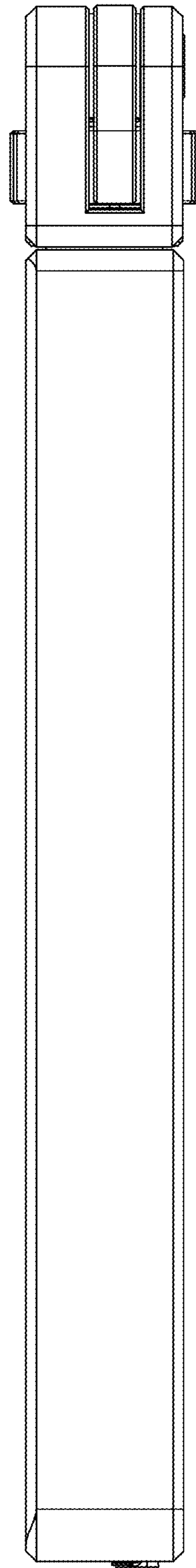


FIG. 7

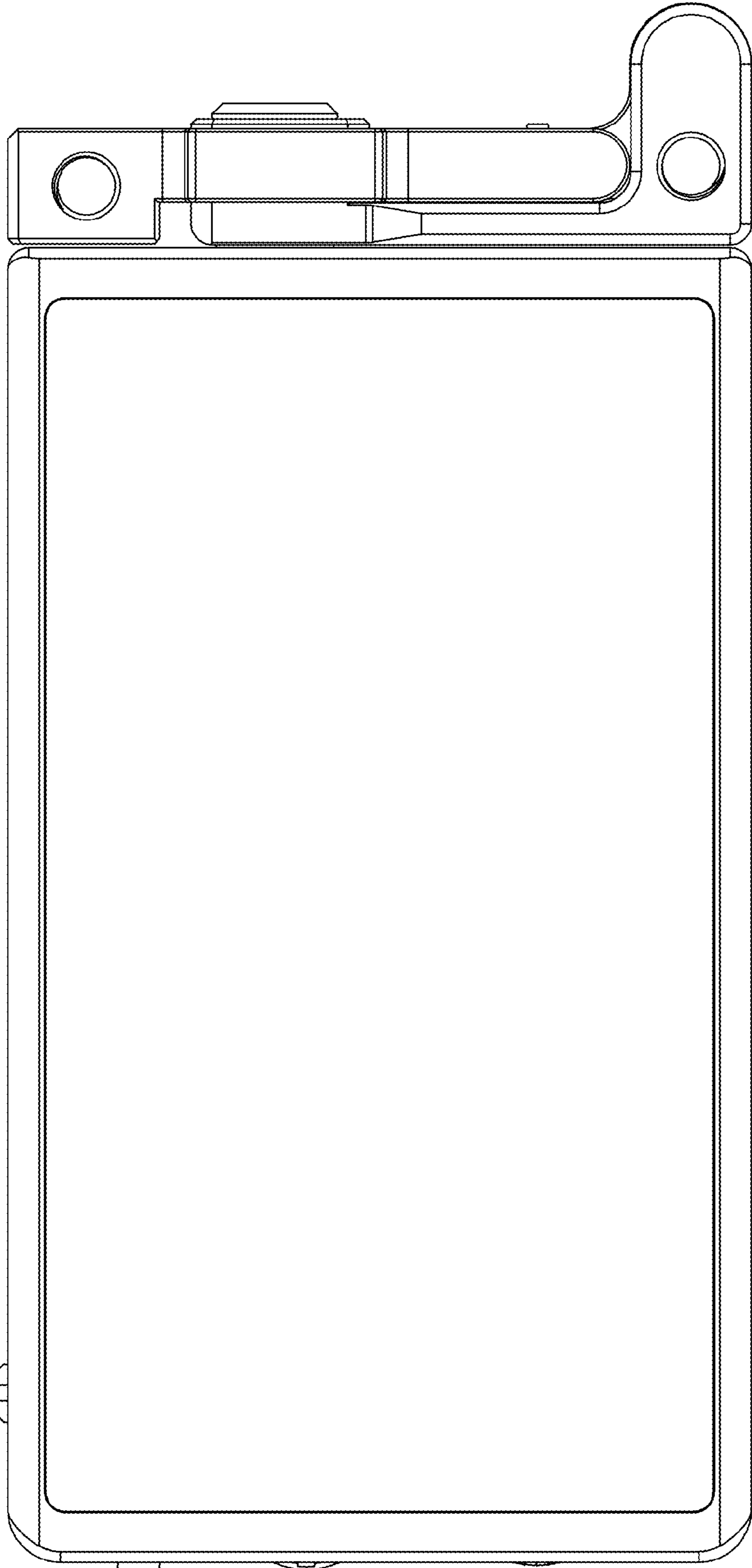


FIG. 8

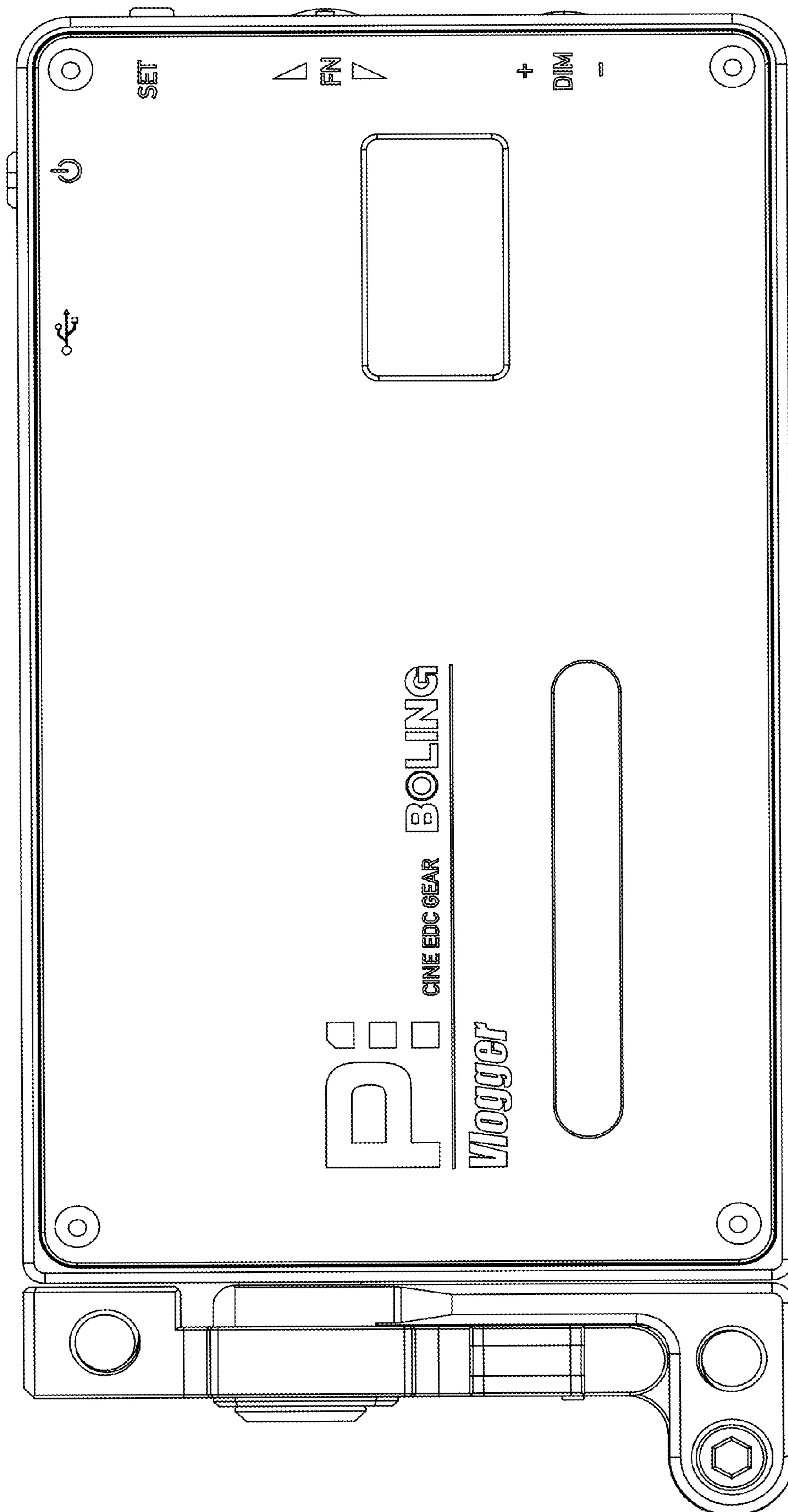


FIG.9

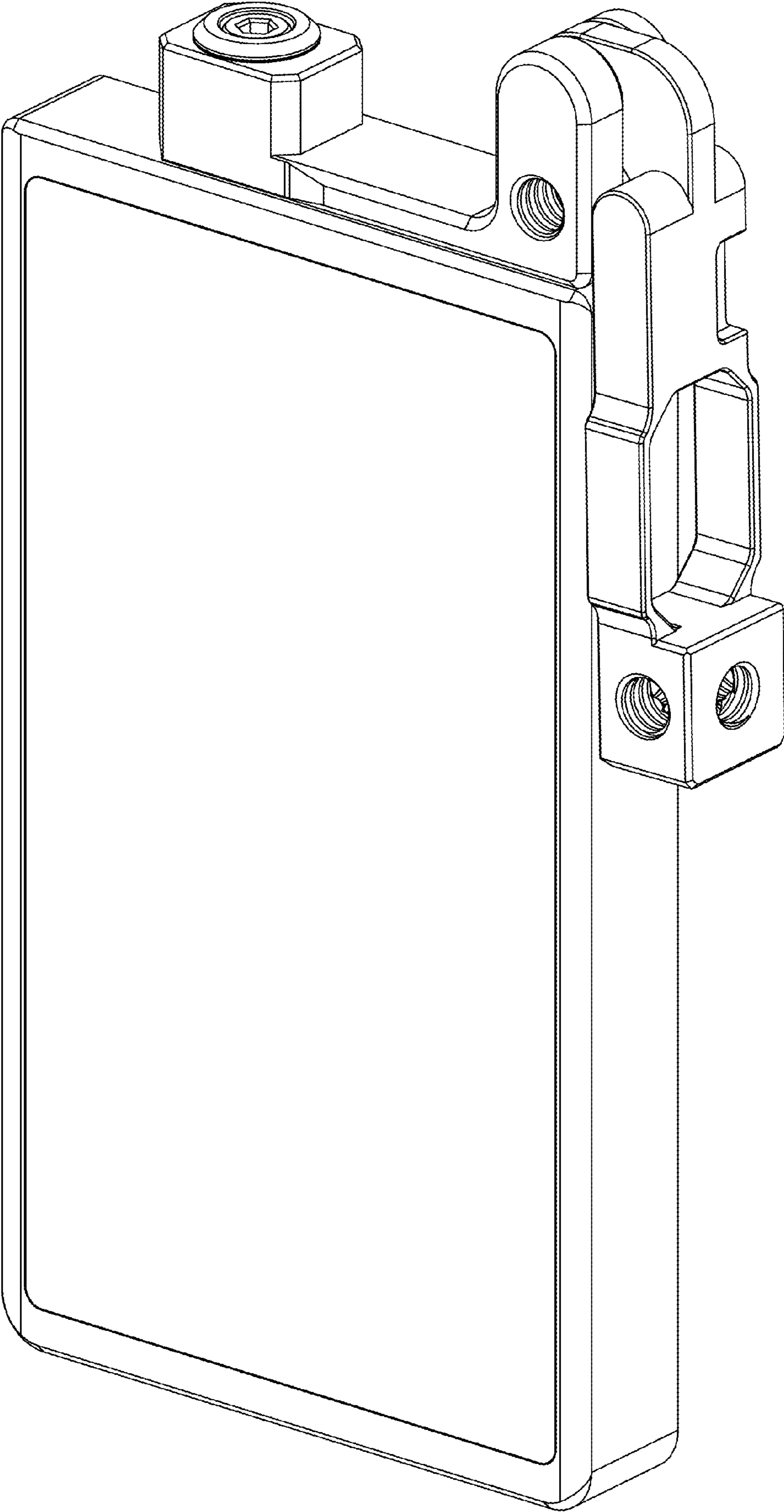


FIG. 10

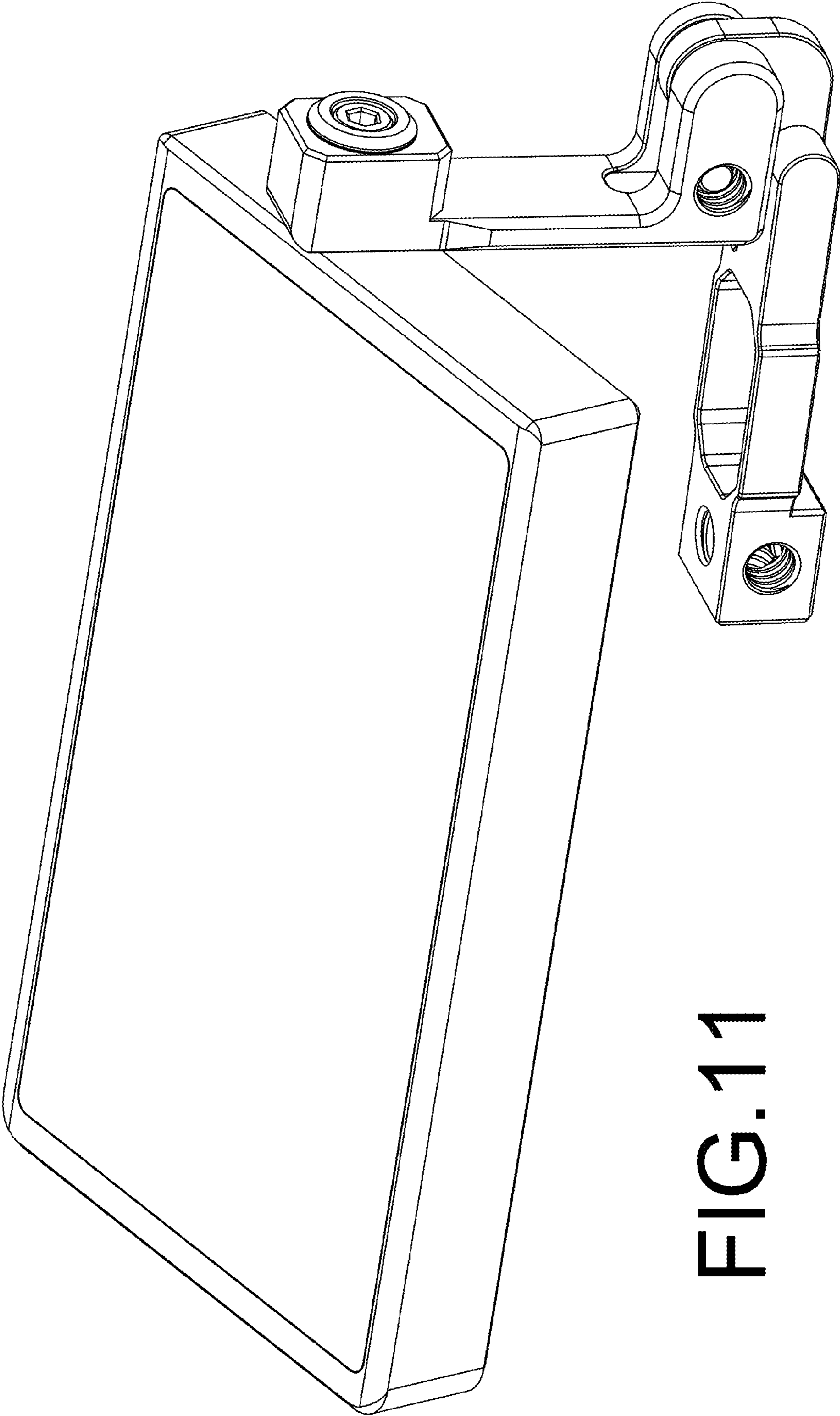


FIG. 11