



US00D883366S

(12) **United States Design Patent** (10) **Patent No.:** **US D883,366 S**
Tanaka et al. (45) **Date of Patent:** **** May 5, 2020**

(54) **PROJECTOR**

(71) Applicant: **FUJIFILM Corporation**, Tokyo (JP)

(72) Inventors: **Kunihiko Tanaka**, Saitama (JP); **Koji Yoshida**, Saitama (JP)

(73) Assignee: **FUJIFILM Corporation**, Tokyo (JP)

(**) Term: **15 Years**

(21) Appl. No.: **29/659,344**

(22) Filed: **Aug. 8, 2018**

(30) **Foreign Application Priority Data**

Feb. 9, 2018 (JP) 2018-002726

(51) **LOC (12) Cl.** **16-02**

(52) **U.S. Cl.**
USPC **D16/235**

(58) **Field of Classification Search**

USPC D16/221, 225, 229-231, 234-235, 208,
D16/219, 200, 201-203, 134, 136-137;
(Continued)

(56) **References Cited**

U.S. PATENT DOCUMENTS

D430,186 S * 8/2000 Suzuki D16/218
D433,048 S * 10/2000 Ikenaga D16/225
(Continued)

Primary Examiner — Wan Laymon

(74) *Attorney, Agent, or Firm* — Birch, Stewart, Kolasch & Birch, LLP

(57) **CLAIM**

The ornamental design for a projector, as shown and described.

DESCRIPTION

FIG. 1 is a left perspective view of a projector showing our new design;

FIG. 2 is a front view thereof;

FIG. 3 is a rear view thereof;

FIG. 4 is a top plan view thereof;

FIG. 5 is a bottom plan view thereof;

FIG. 6 is a right side view thereof;

FIG. 7 is a left side view thereof;

FIG. 8 is a left perspective view of a projector illustrating the situation that a lens barrier cylinder rises, showing our new design;

FIG. 9 is a front view thereof;

FIG. 10 is a left side view thereof;

FIG. 11 is a left perspective view of a projector illustrating the situation that a cover is moved backward, showing our new design;

FIG. 12 is a front view thereof;

FIG. 13 is a rear view thereof;

FIG. 14 is a top plan view thereof;

FIG. 15 is a bottom plan view thereof;

FIG. 16 is a right side view thereof;

FIG. 17 is a left side view thereof;

FIG. 18 is a left perspective view of a projector illustrating the situation that a handle is drawn upward, showing our new design;

FIG. 19 is a front view thereof;

FIG. 20 is a rear view thereof;

FIG. 21 is a top plan view thereof;

FIG. 22 is a bottom plan view thereof;

FIG. 23 is a right side view thereof;

FIG. 24 is a left side view thereof;

FIG. 25 is a left perspective view of a projector illustrating the situation that the lens is directed to first direction, showing our new design;

FIG. 26 is a front view thereof;

FIG. 27 is a rear view thereof;

FIG. 28 is a top plan view thereof;

FIG. 29 is a bottom plan view thereof;

FIG. 30 is a right side view thereof;

FIG. 31 is a left side view thereof;

FIG. 32 is a left perspective view of a projector illustrating the situation that the lens is directed to second direction, showing our new design;

(Continued)

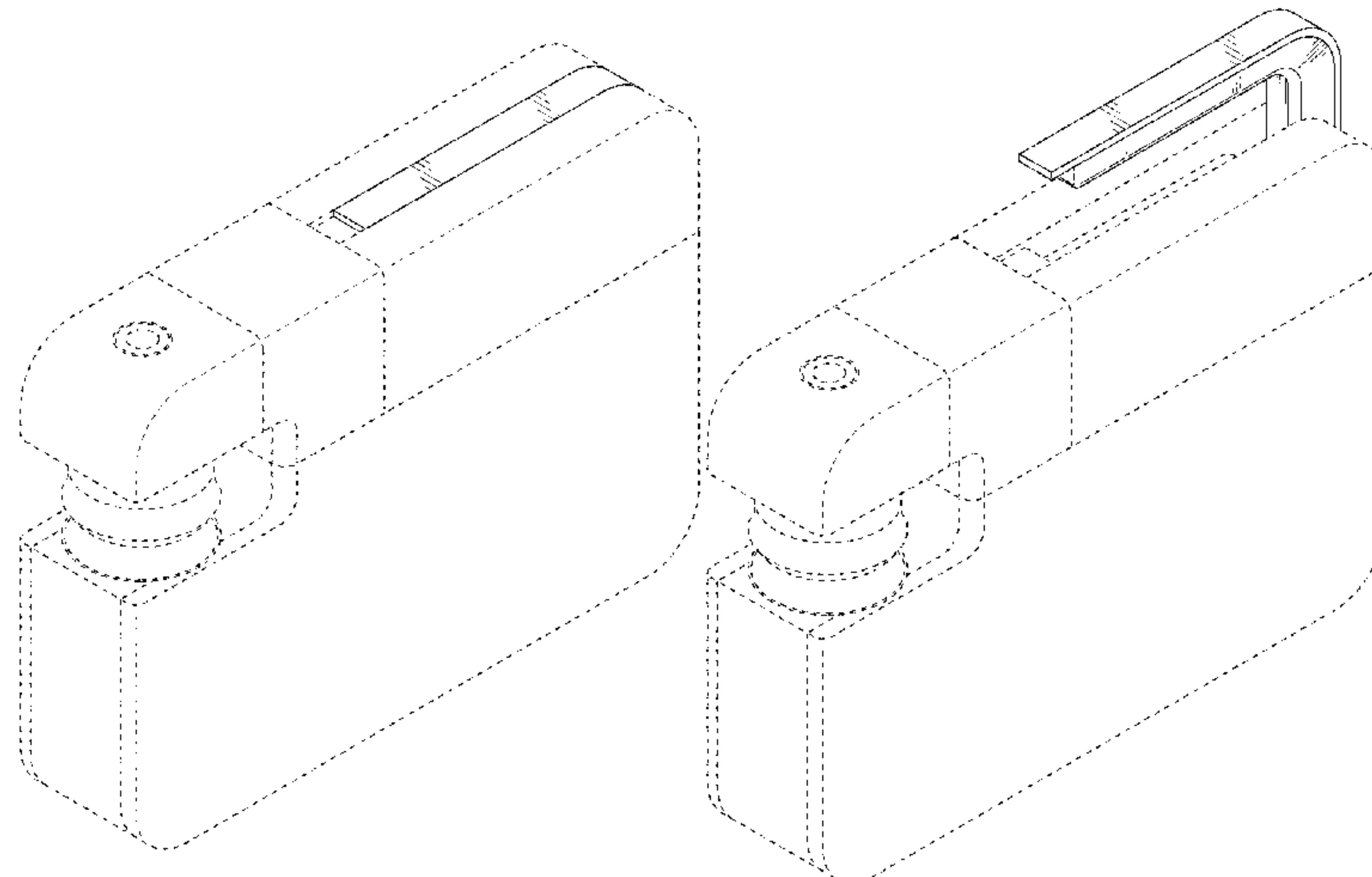


FIG. 33 is a left perspective view of a projector illustrating the situation that the lens is directed to third direction, showing our new design;

FIG. 34 is a left perspective view of a projector illustrating the situation that the lens is directed to fourth direction, showing our new design;

FIG. 35 is a left perspective view of a projector illustrating the situation that the lens is directed to fifth direction, showing our new design;

FIG. 36 is a left perspective view of a projector illustrating the situation that the lens is directed to sixth direction, showing our new design;

FIG. 37 is a left perspective view of a projector illustrating the situation that the lens is directed to seventh direction, showing our new design;

FIG. 38 is a left perspective view of a projector illustrating the situation that the lens is directed to eighth direction, showing our new design;

FIG. 39 is a left perspective view of a projector illustrating the situation that the lens is directed to ninth direction, showing our new design;

FIG. 40 is a left perspective view of a projector illustrating the situation that the lens is directed to tenth direction, showing our new design; and,

FIG. 41 is a left perspective view of a projector illustrating the situation that the lens is directed to eleventh direction, showing our new design.

The broken lines depict portions of the projector in which the design is embodied that form no part of the claimed design.

1 Claim, 37 Drawing Sheets

(58) **Field of Classification Search**

USPC D21/514; 353/101, 115, 119, 122;
348/373, 375

CPC G03B 21/00; G03B 21/001; G03B 21/003;
G03B 21/12; G03B 21/14; G03B 21/142;
G03B 21/145; G03B 21/54; G03B 17/56

See application file for complete search history.

(56) **References Cited**

U.S. PATENT DOCUMENTS

D479,547 S * 9/2003 Nagayama D16/202
D534,197 S * 12/2006 Hanafusa D16/202
D557,311 S * 12/2007 Hanafusa D16/219
D564,563 S * 3/2008 Kamiya D16/219

* cited by examiner

FIG. 1

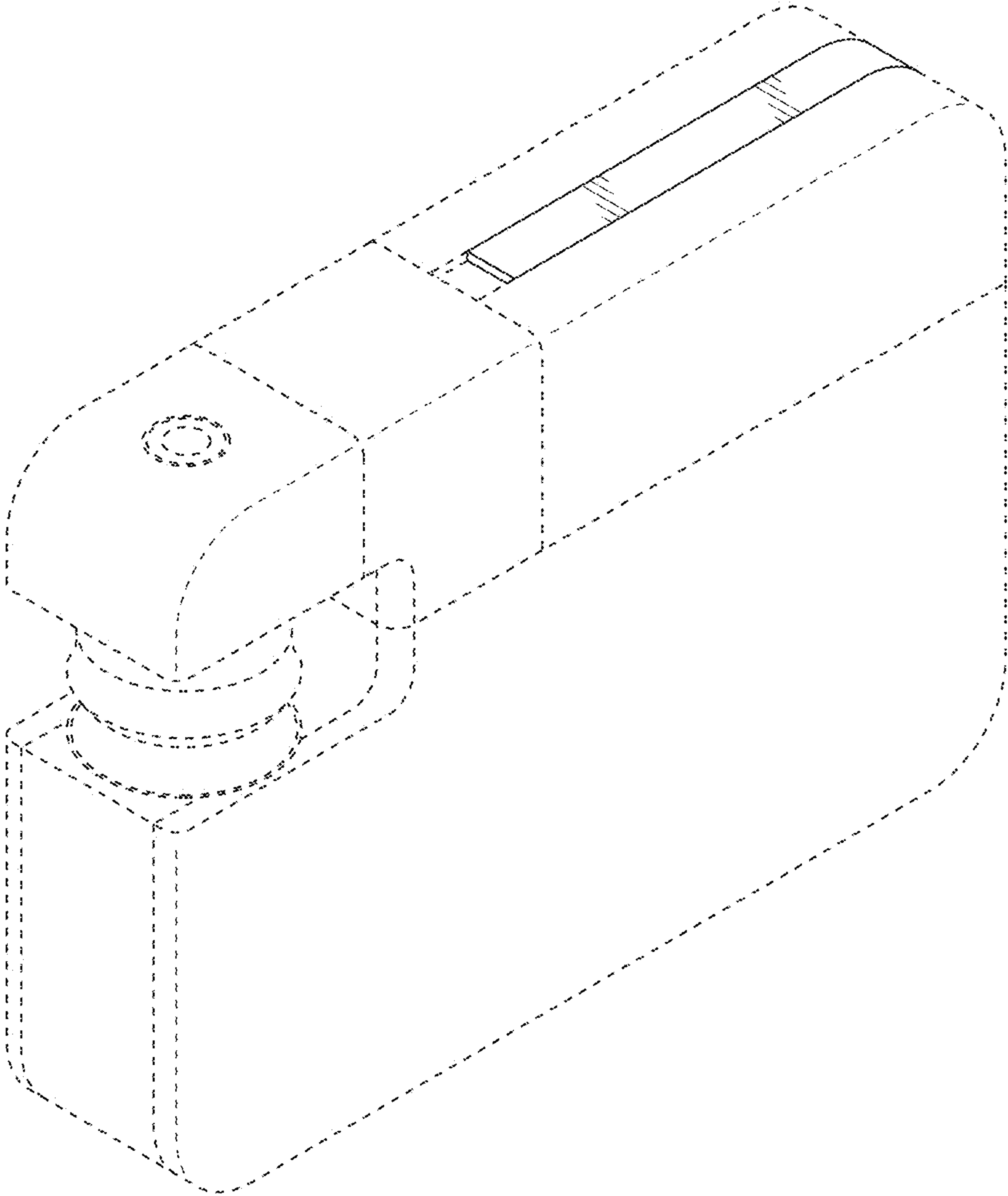


FIG. 2

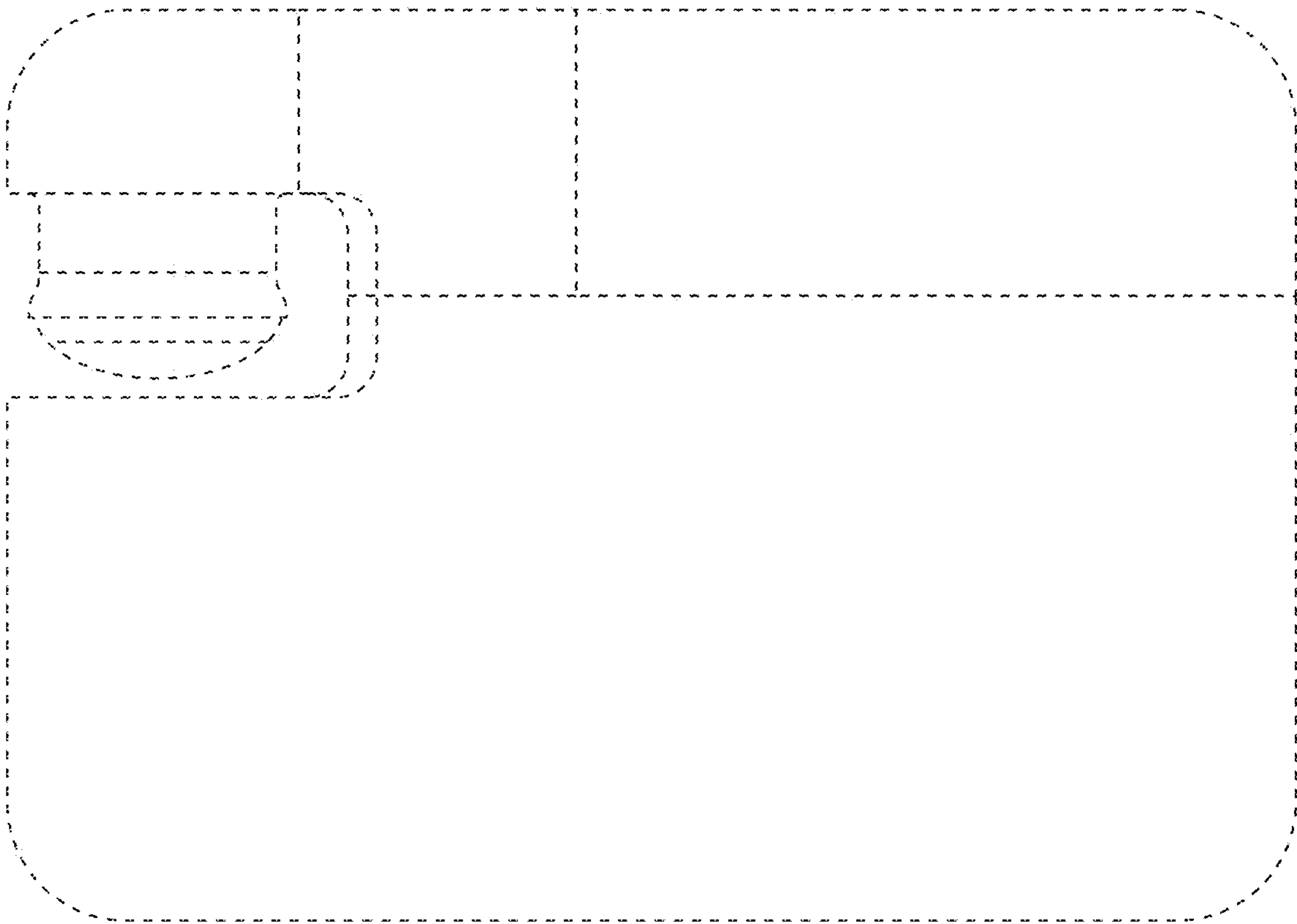


FIG. 3

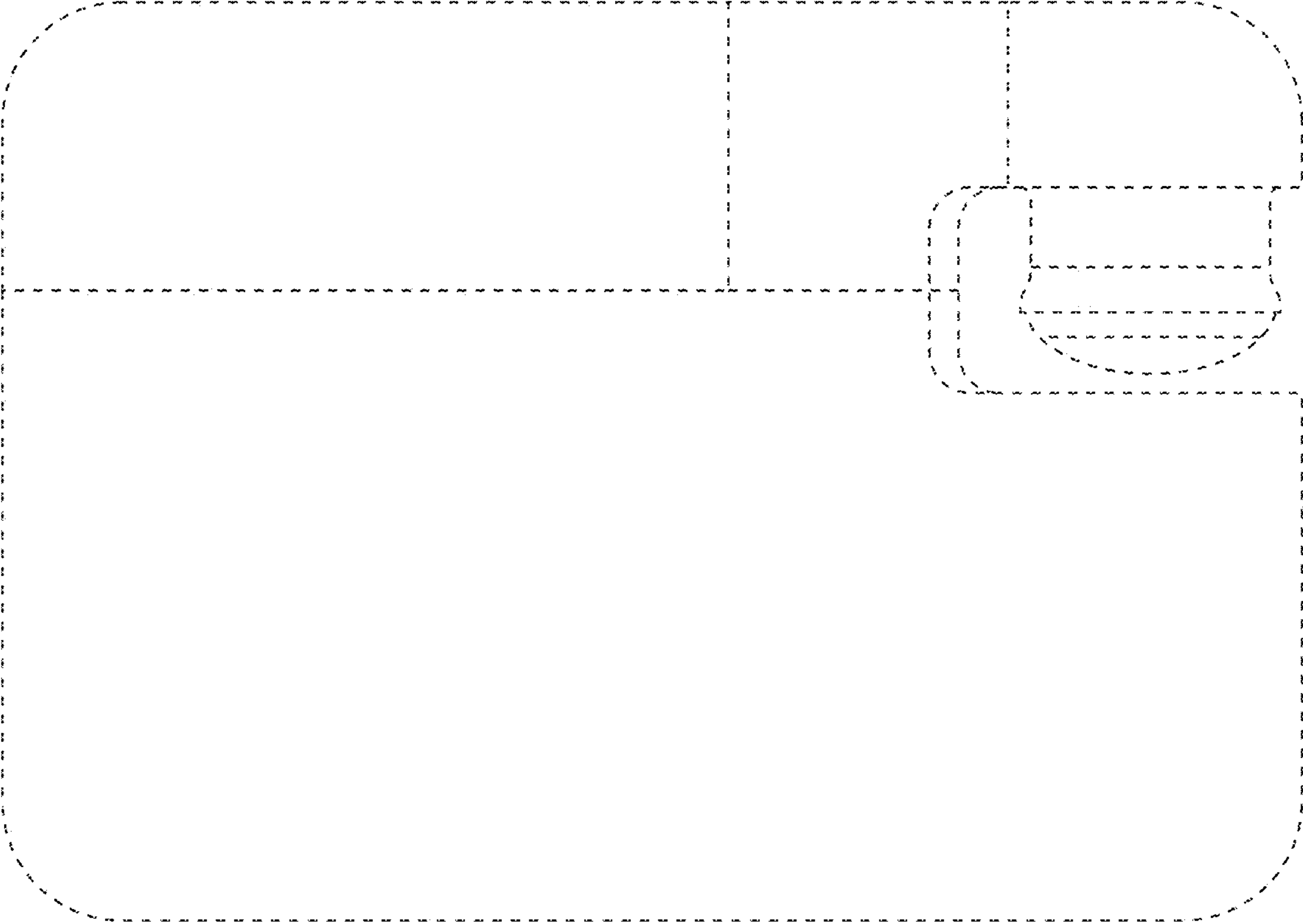


FIG. 4

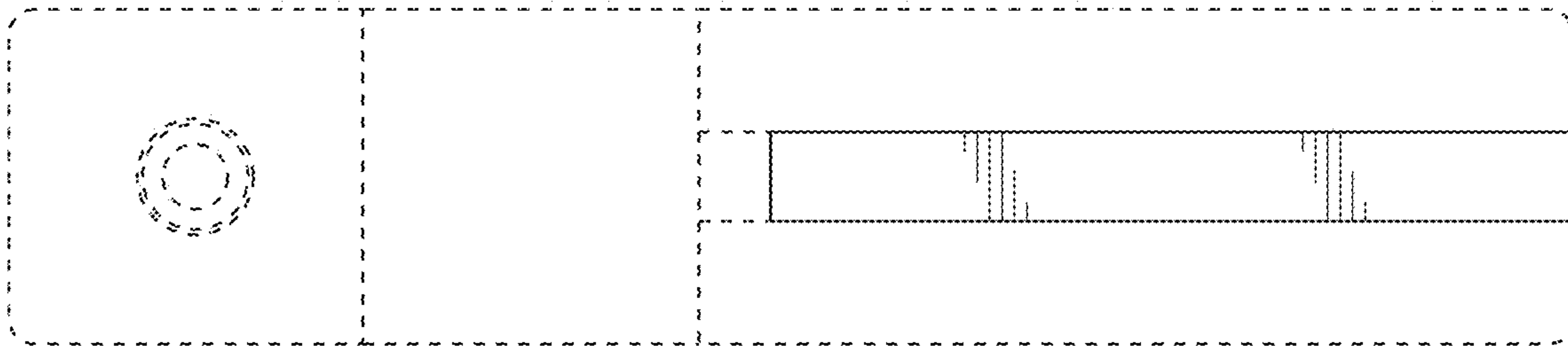


FIG. 5

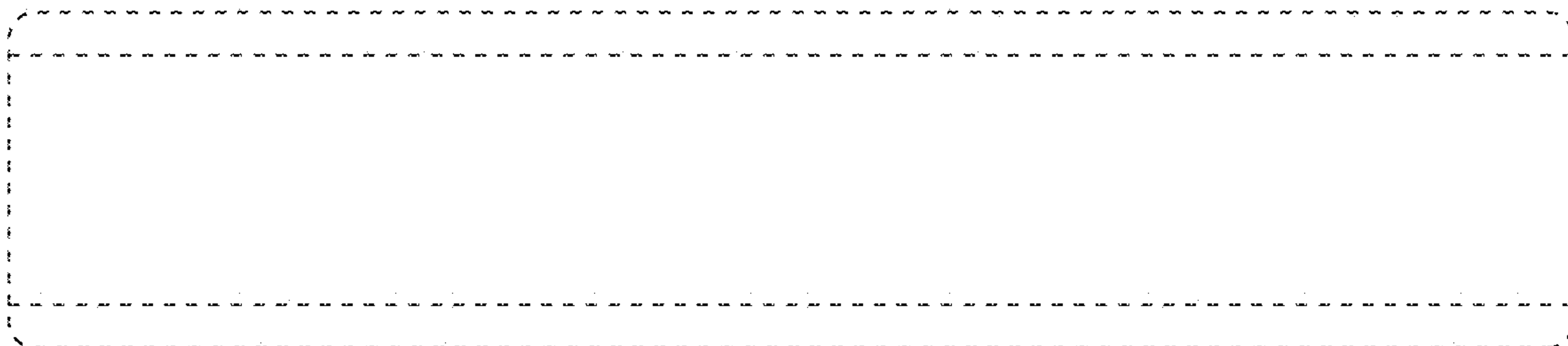


FIG. 6

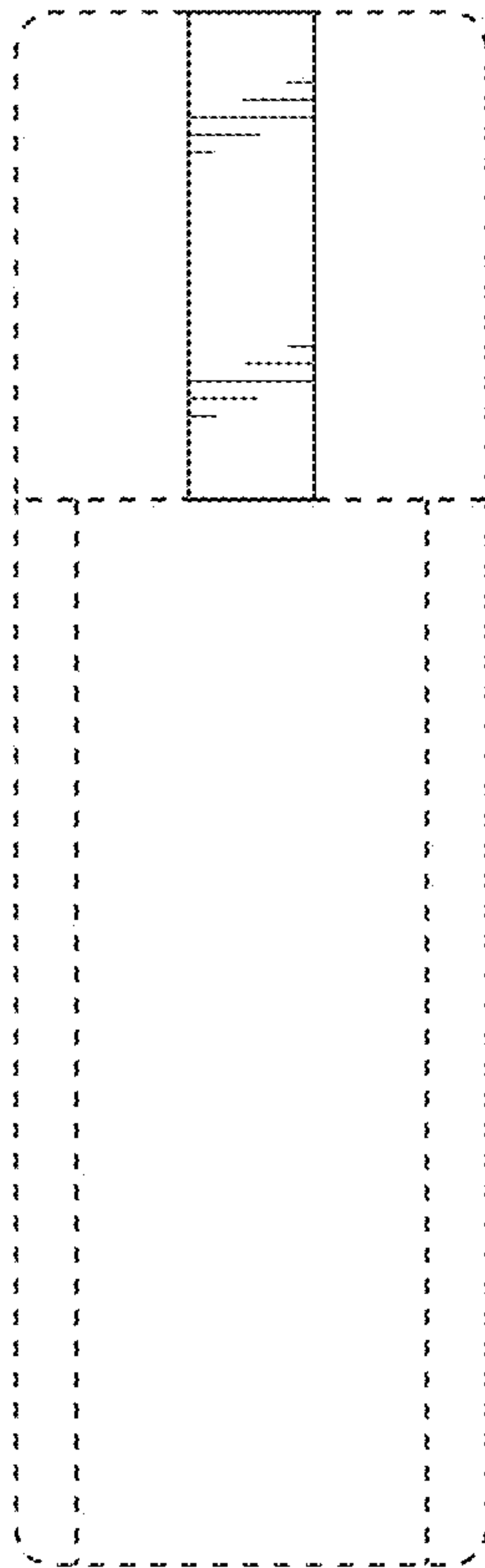


FIG. 7

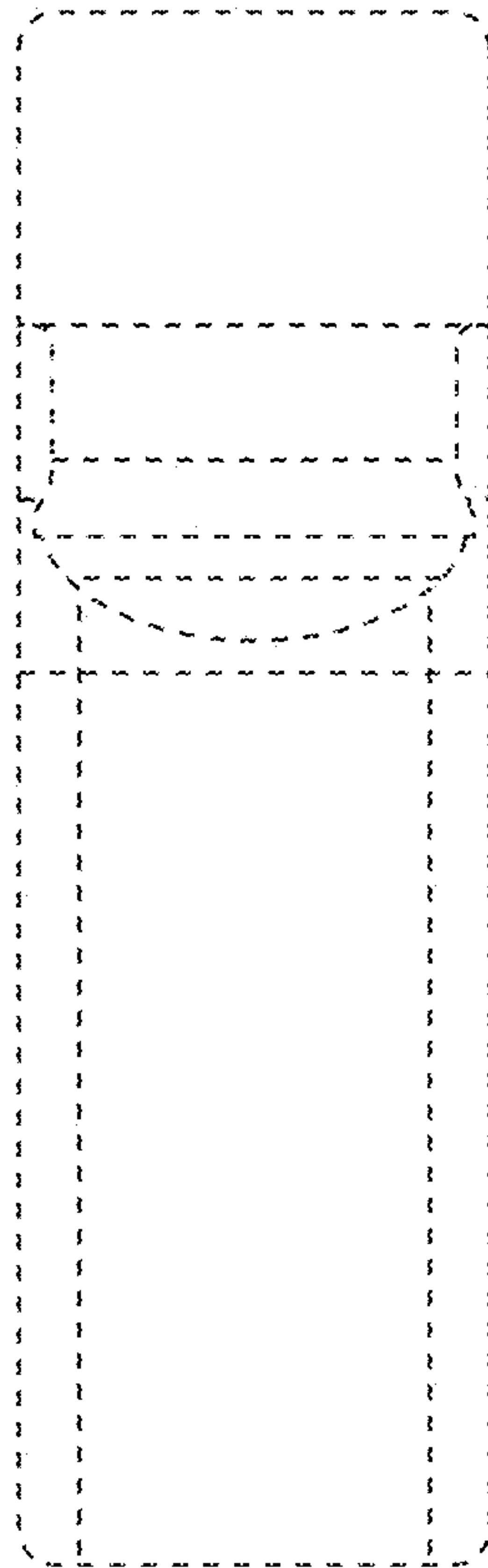


FIG. 8

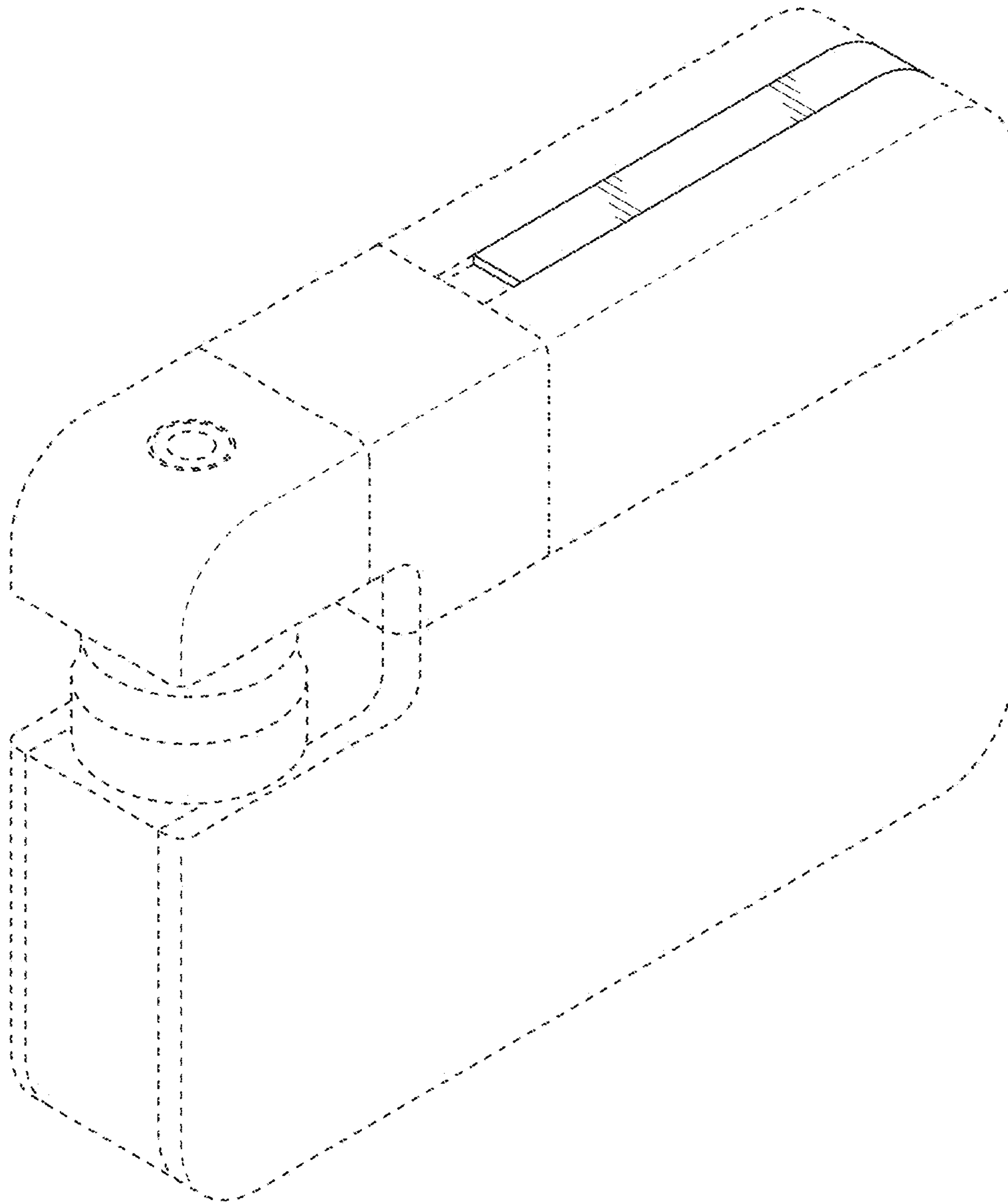


FIG. 9

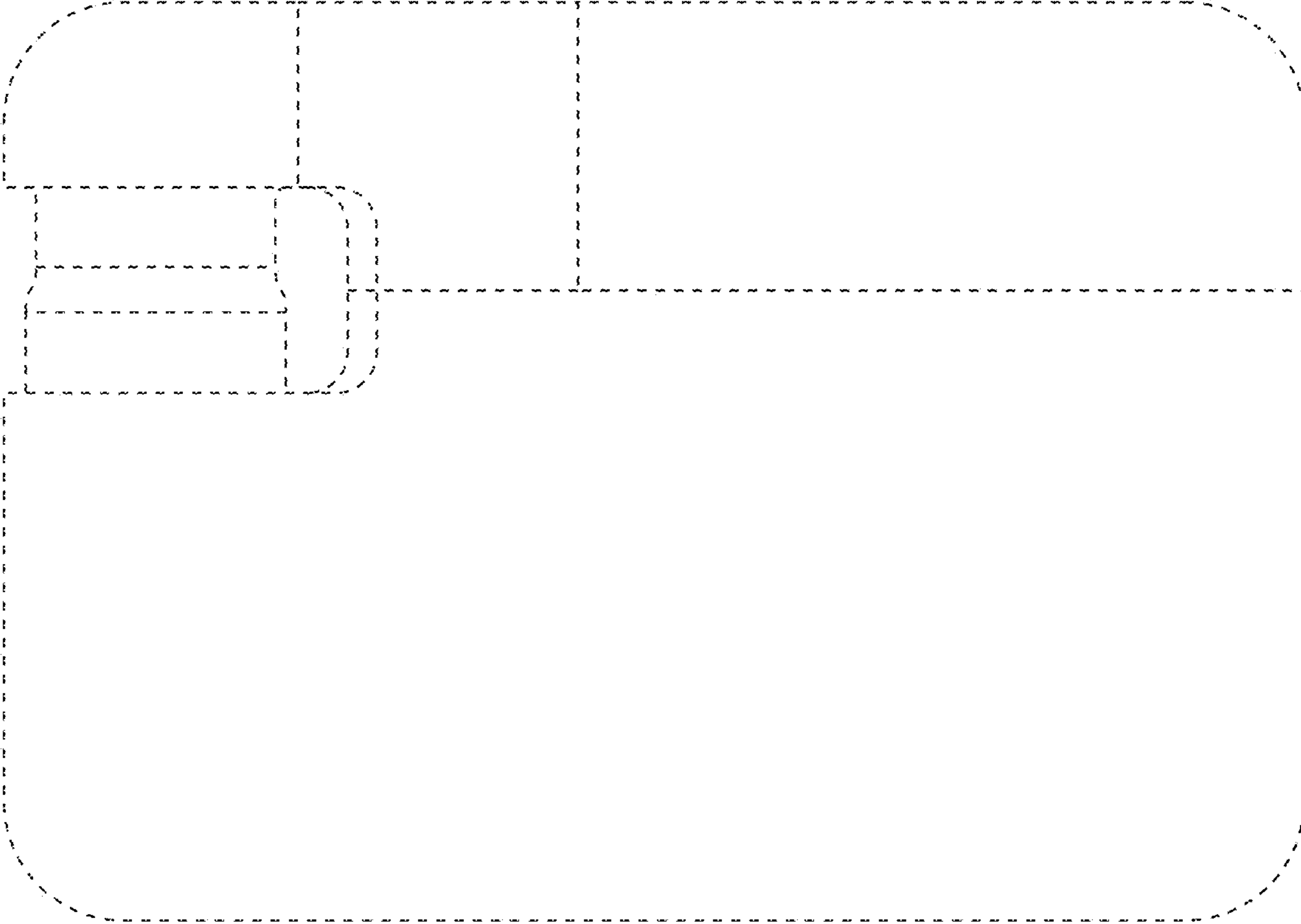


FIG. 10

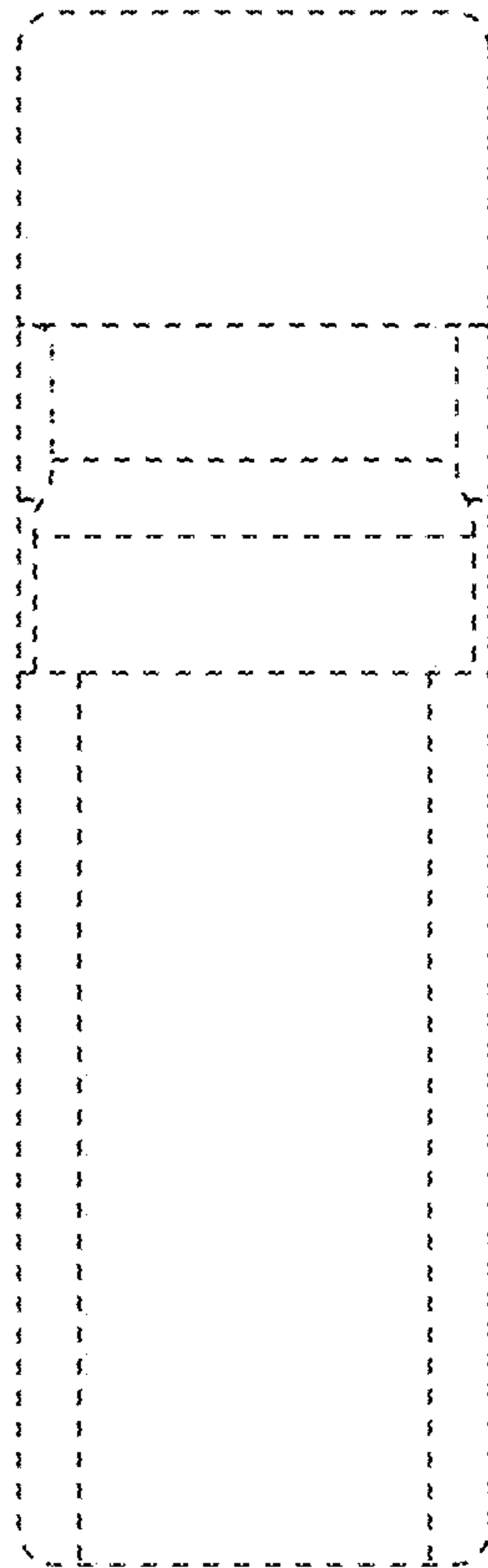


FIG. 11

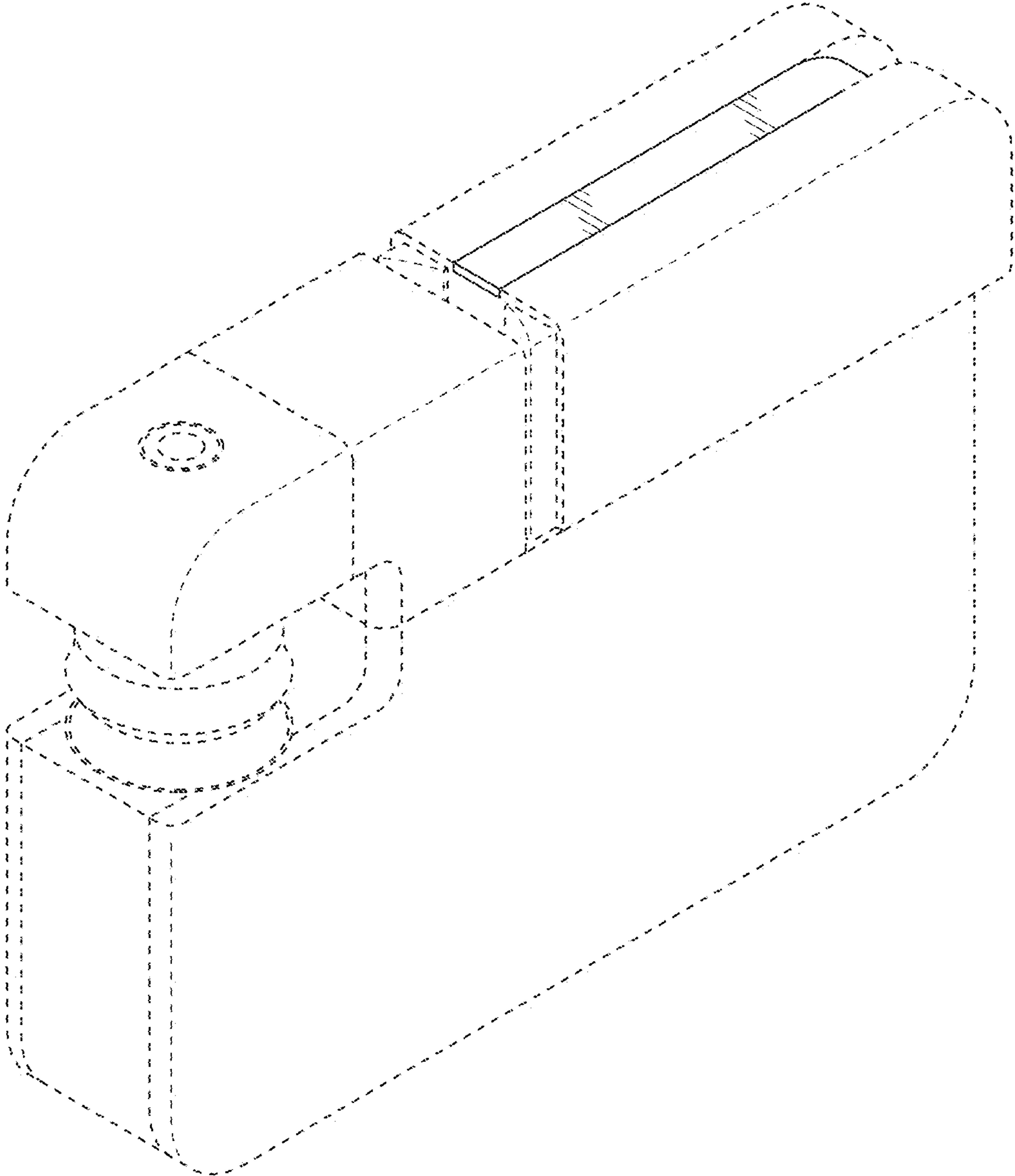


FIG. 12

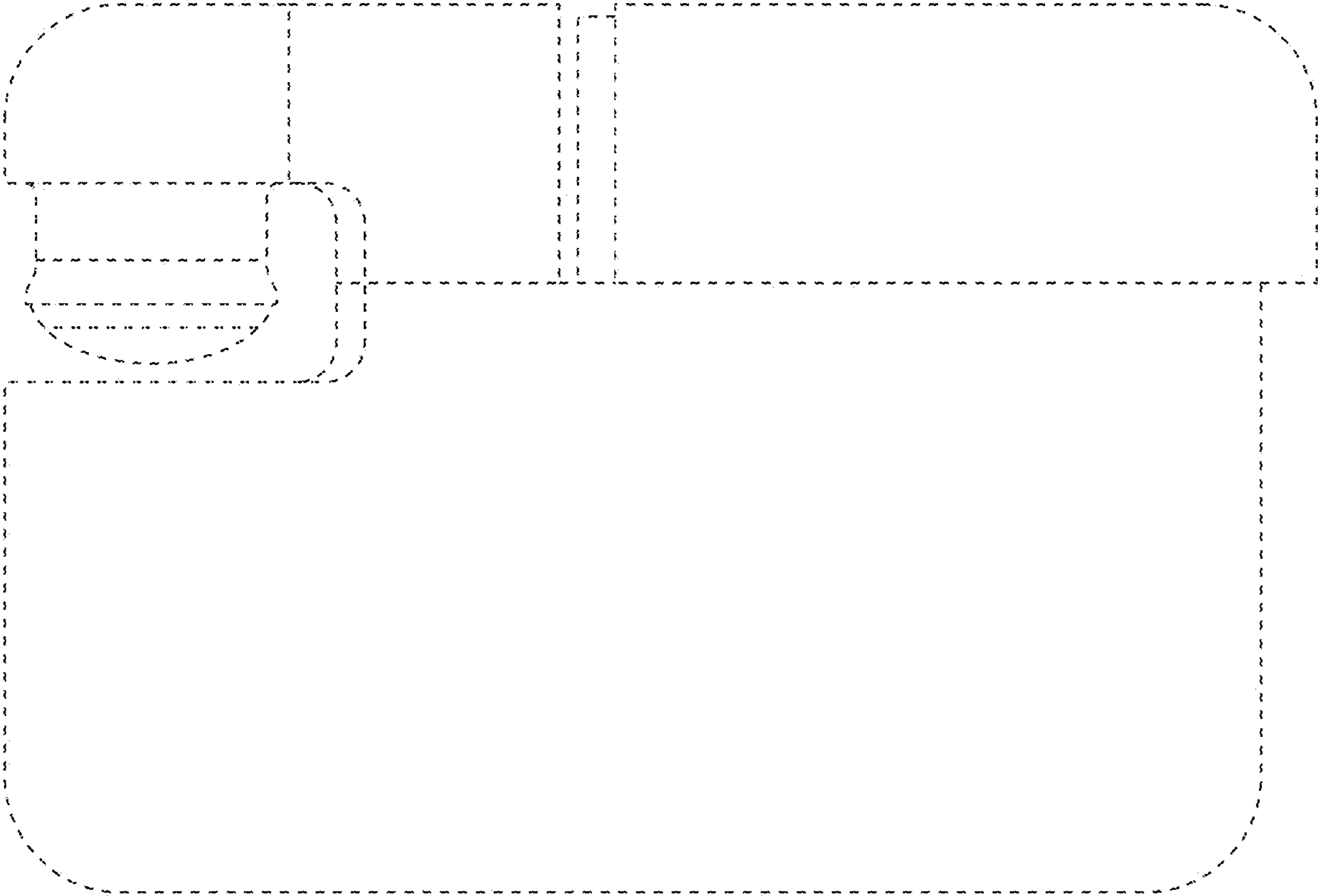


FIG. 13

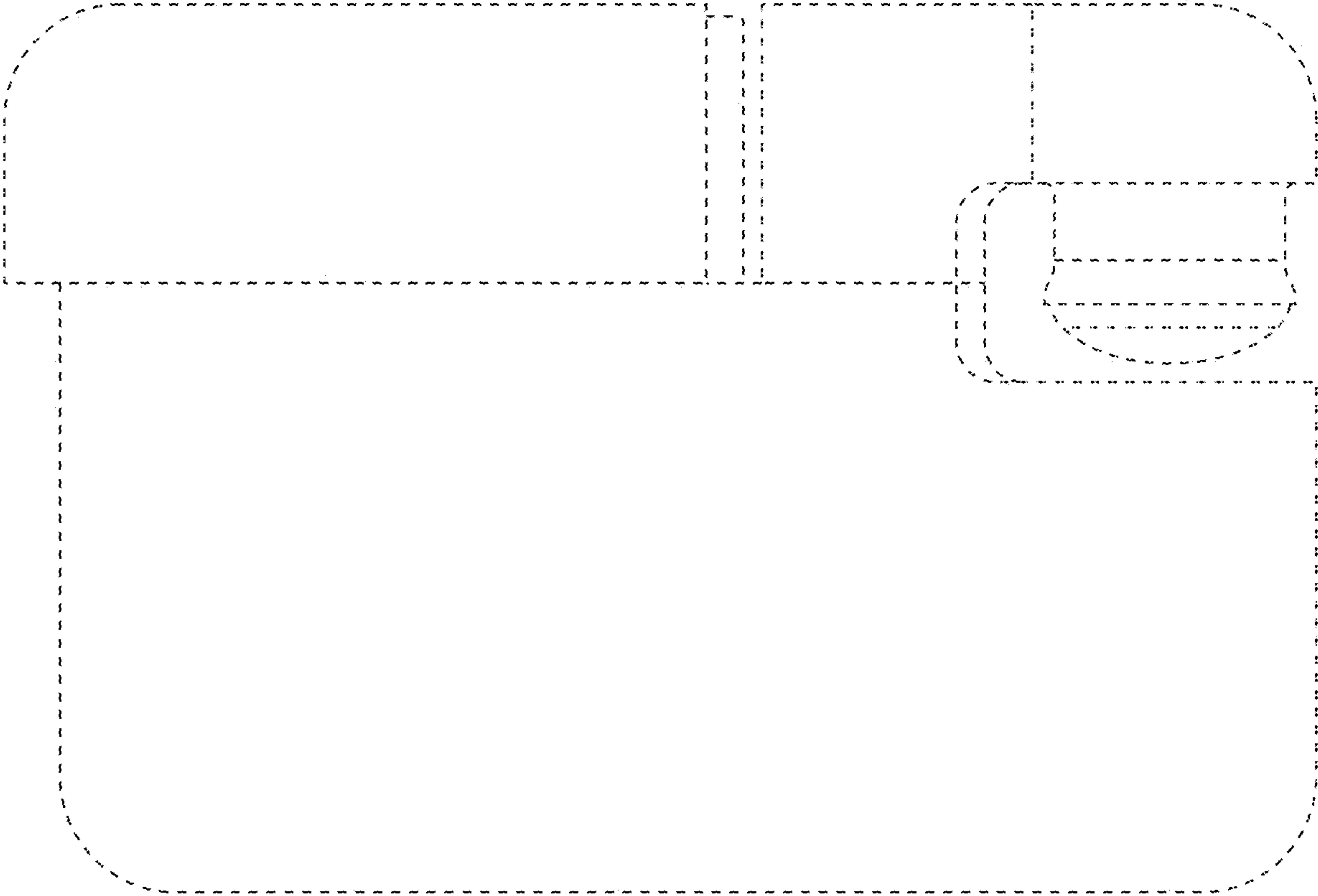


FIG. 14

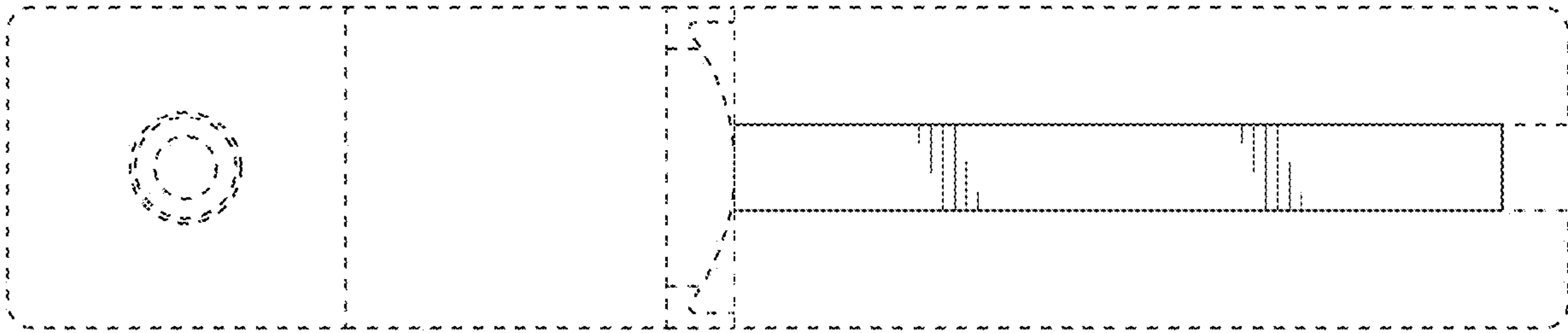


FIG. 15

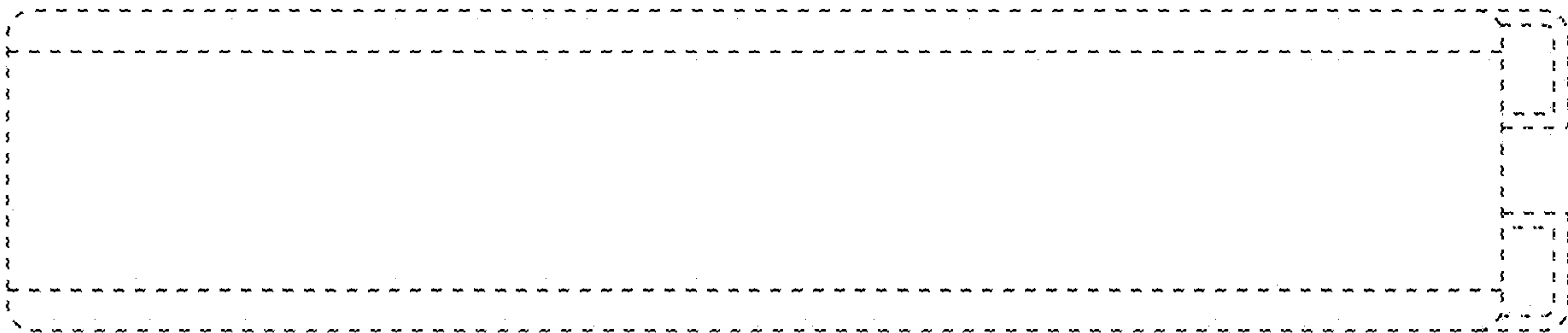


FIG. 16

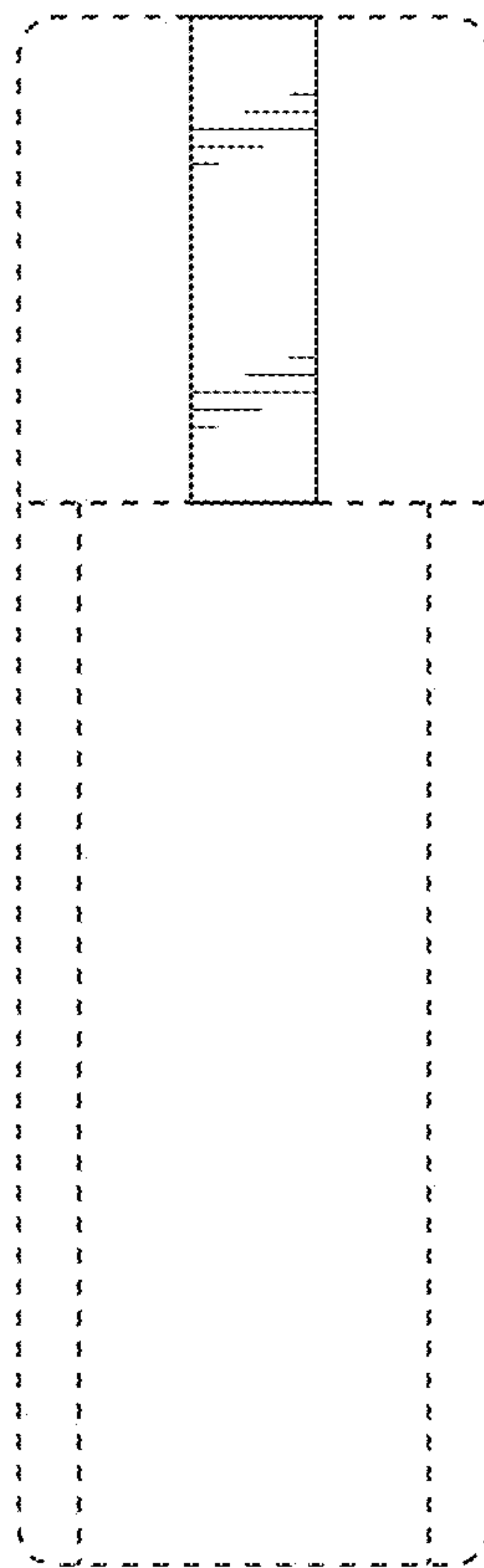


FIG. 17

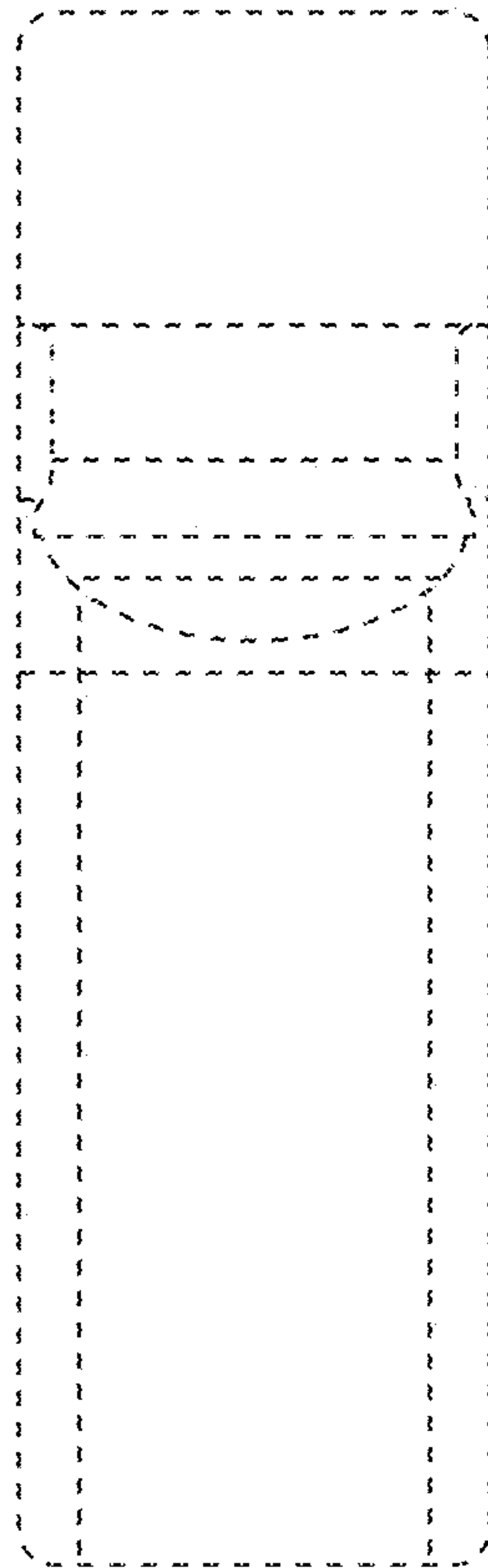


FIG. 18

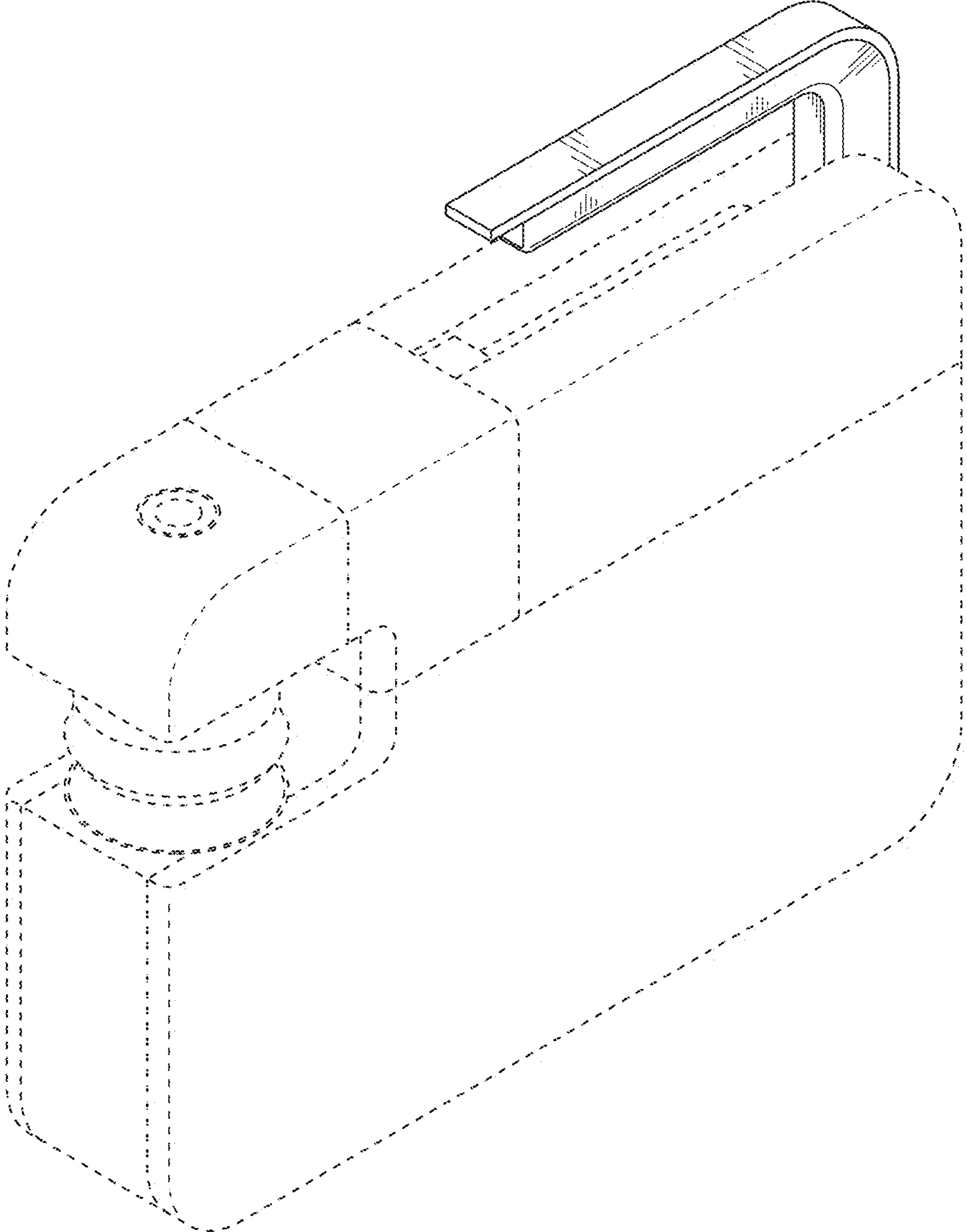


FIG. 19

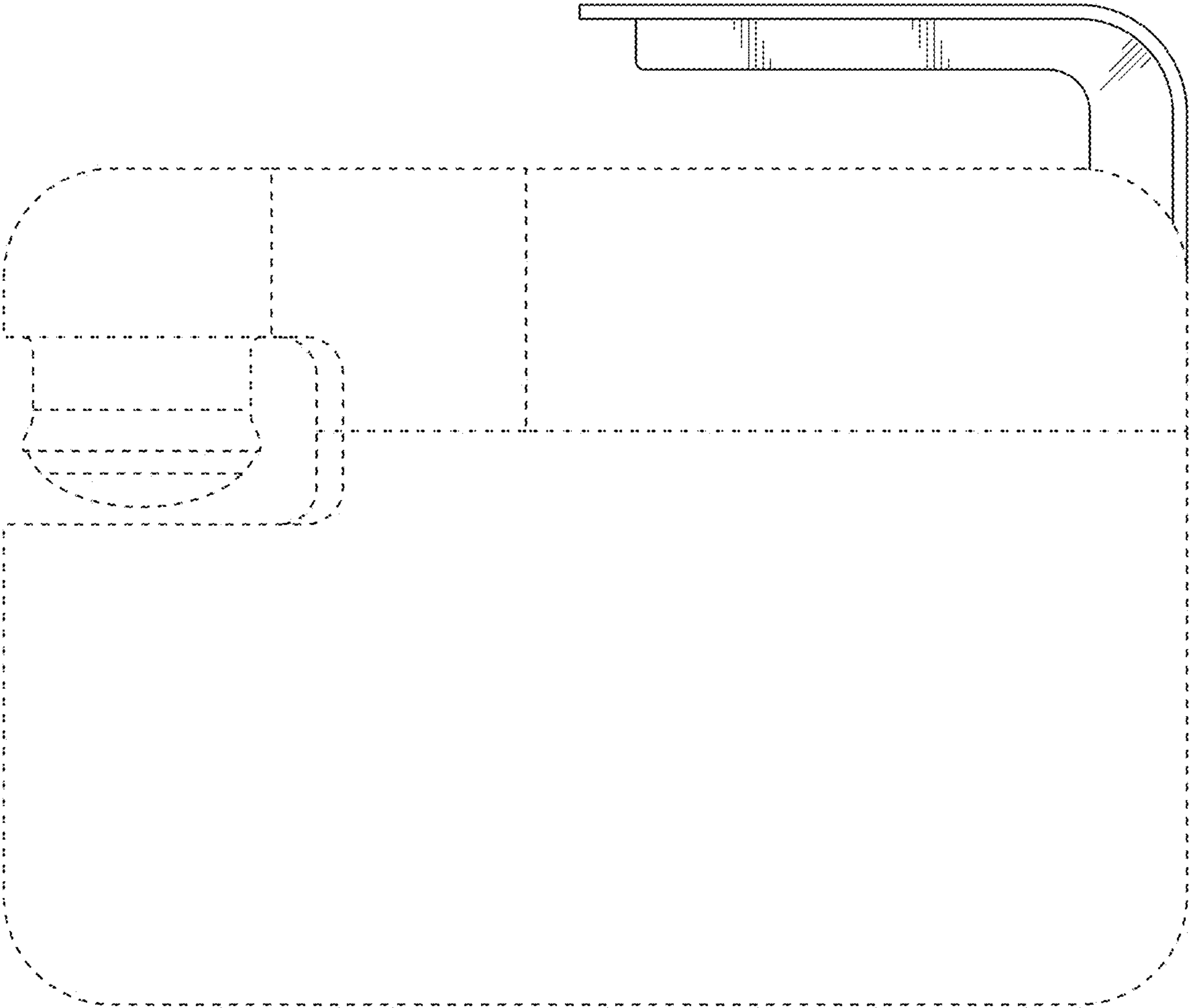


FIG. 20

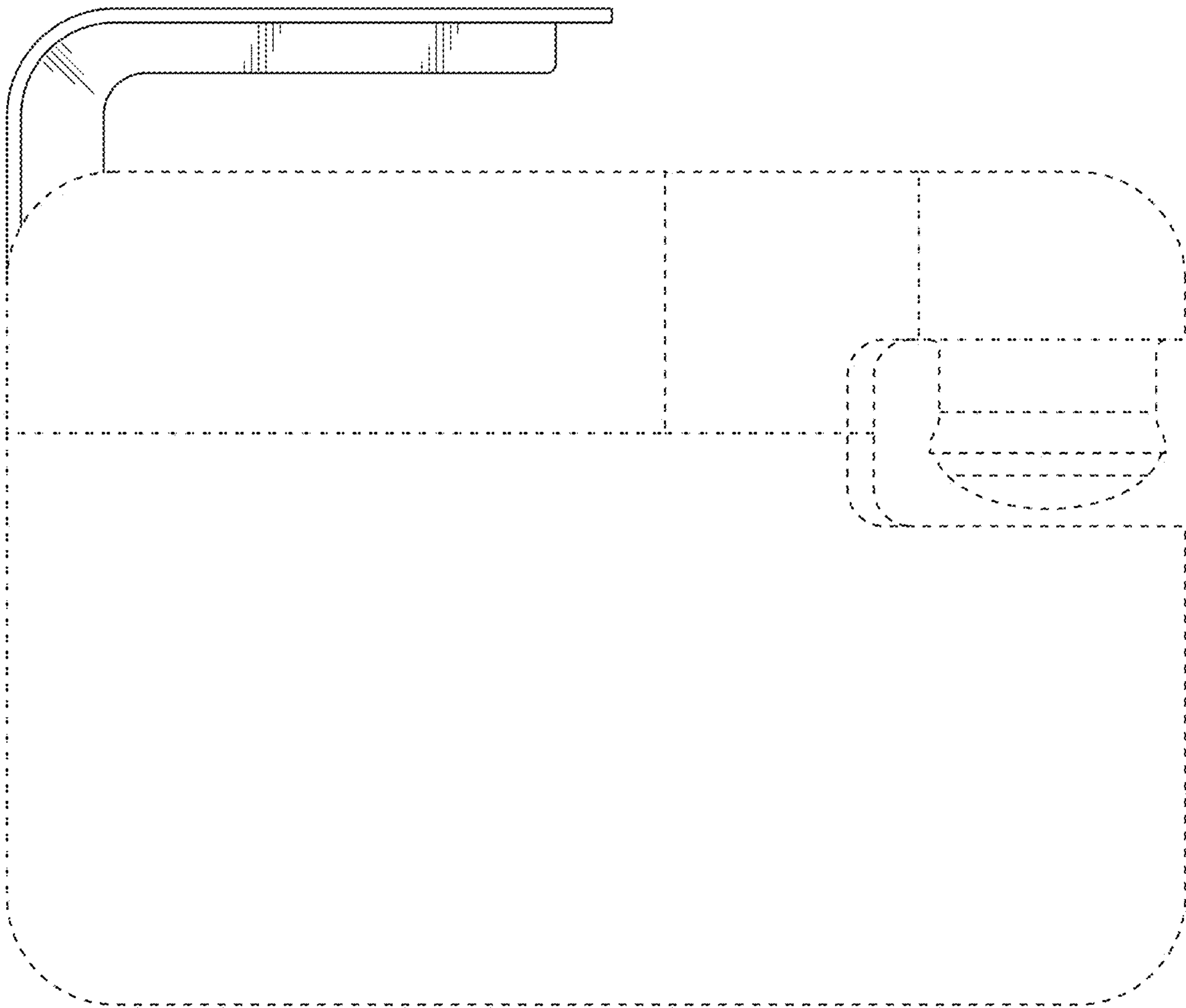


FIG. 21

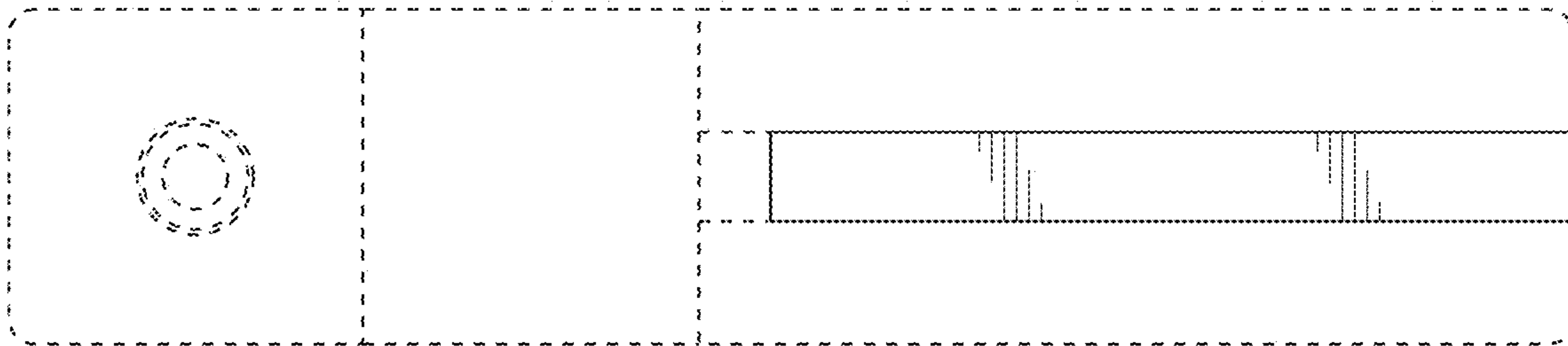


FIG. 22

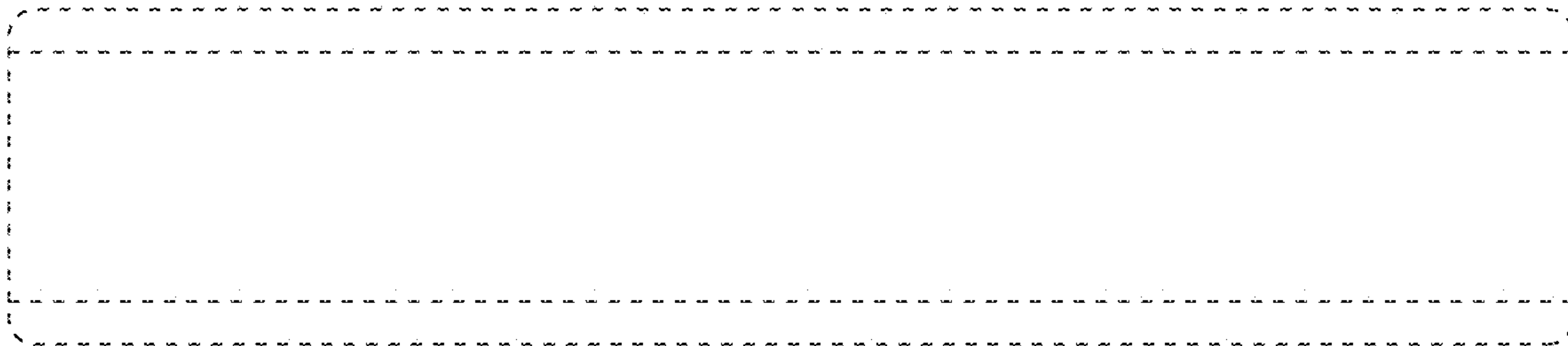


FIG. 23

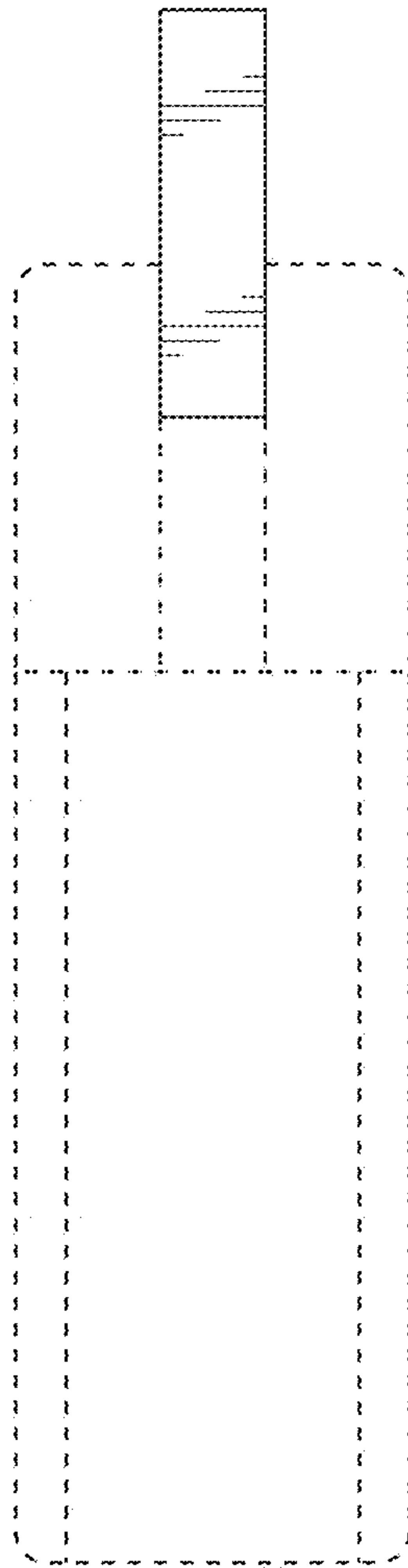


FIG. 24

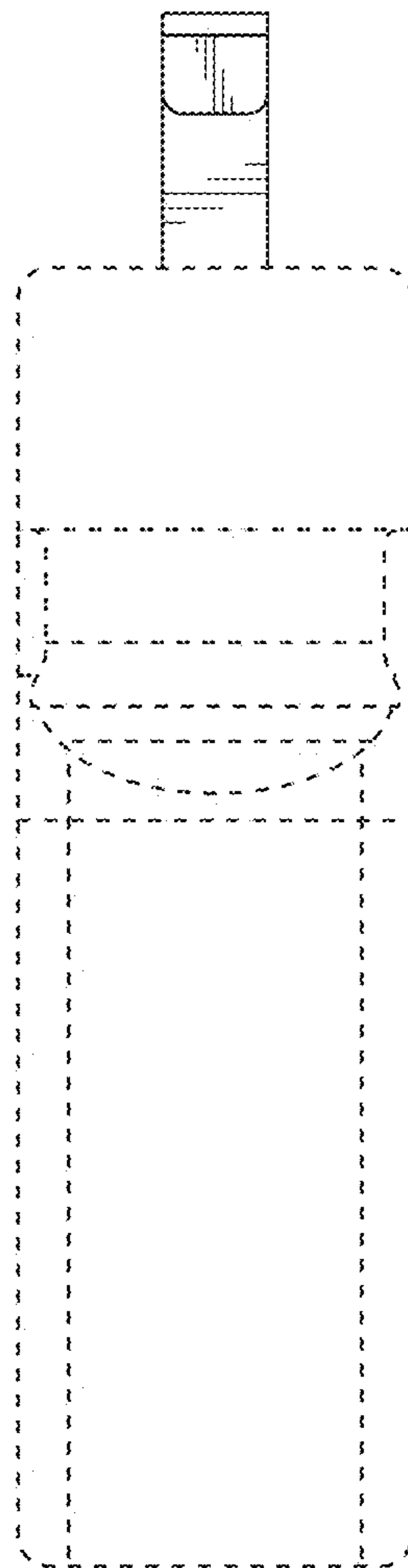


FIG. 25

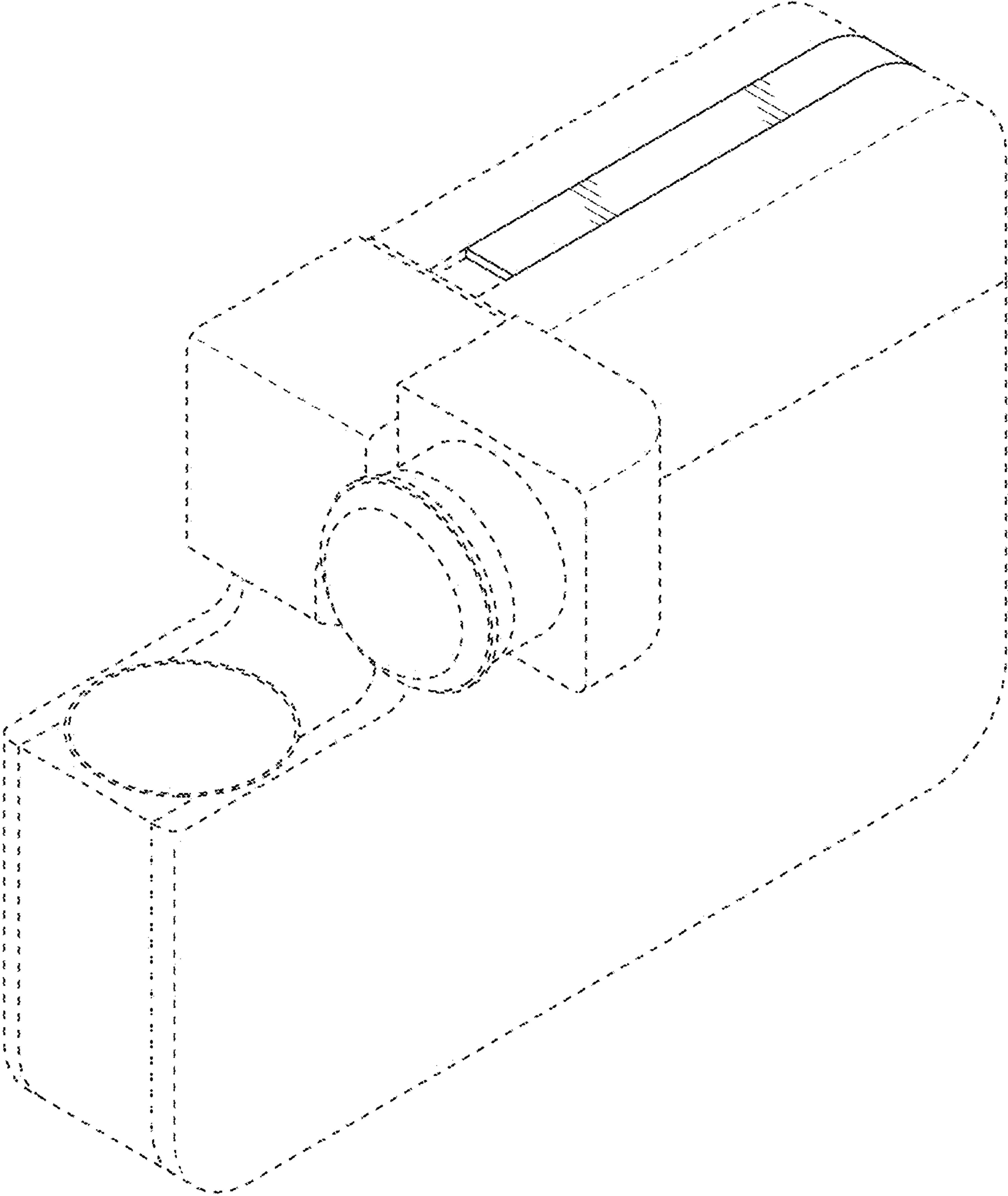


FIG. 26

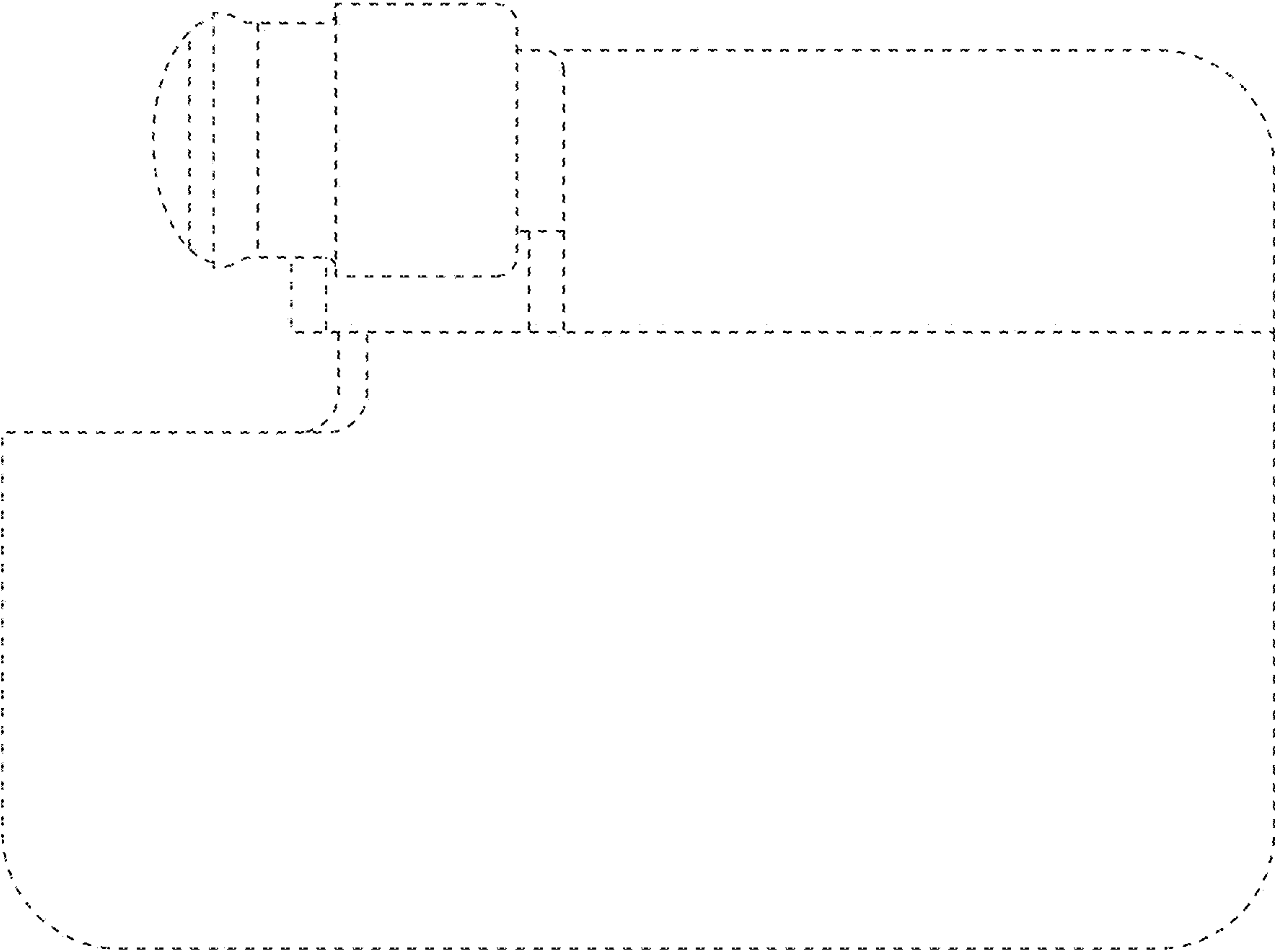


FIG. 27

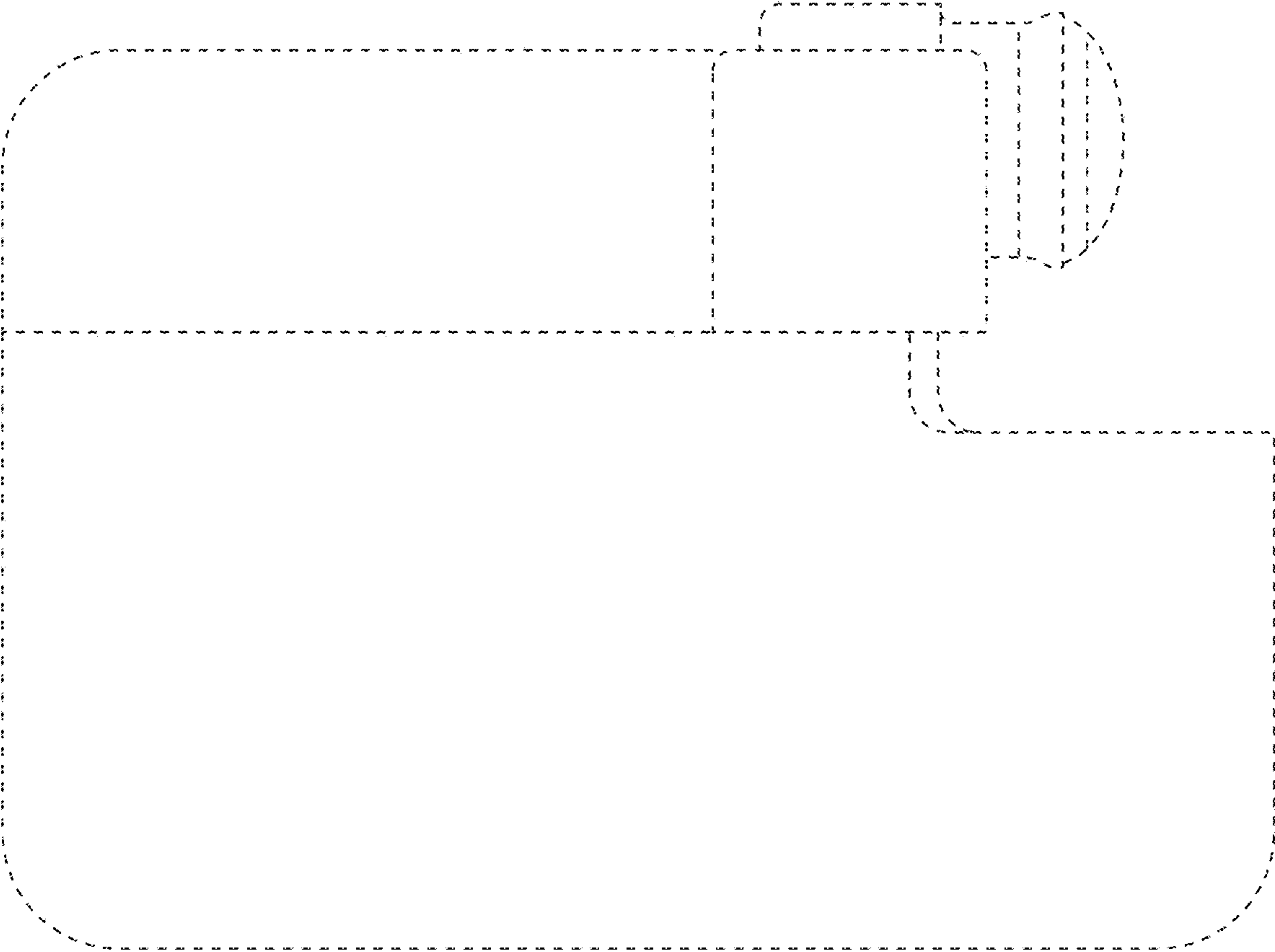


FIG. 28

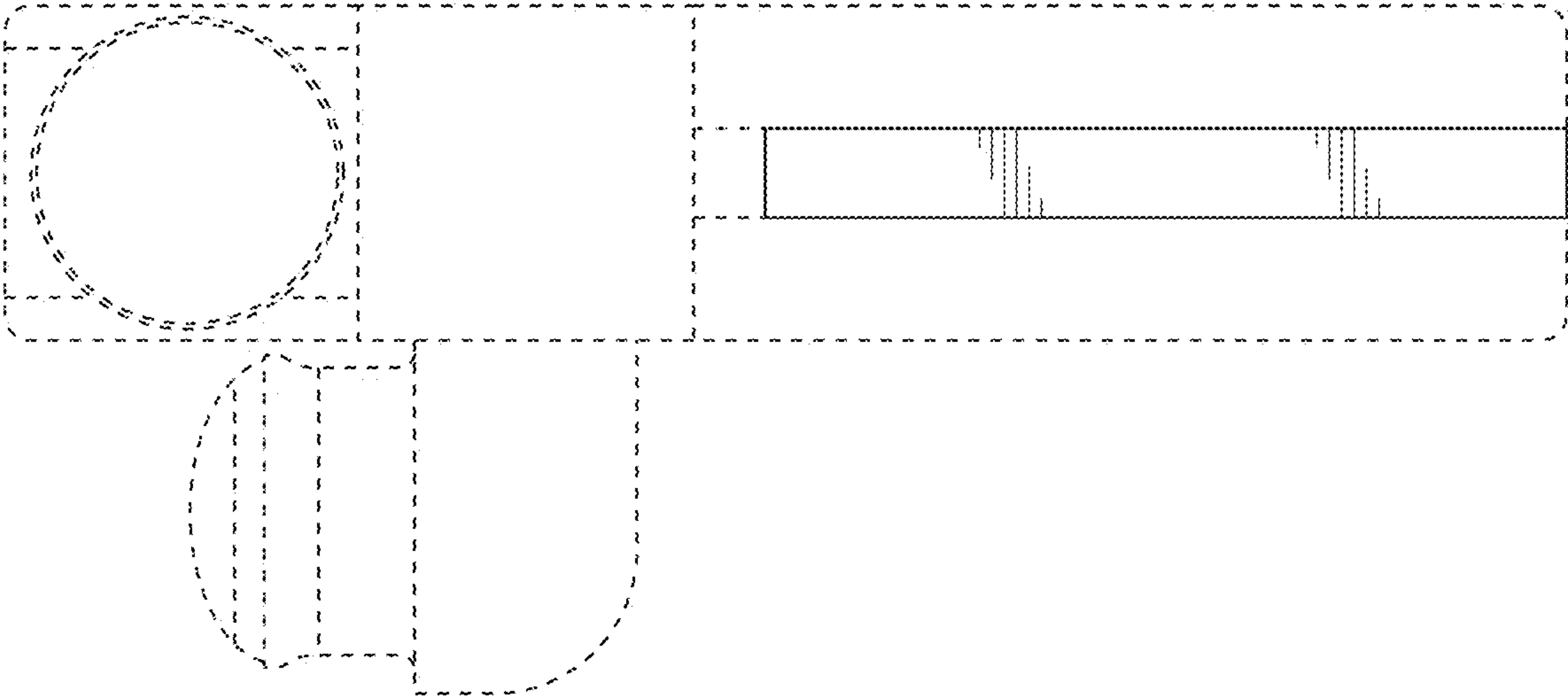


FIG. 29

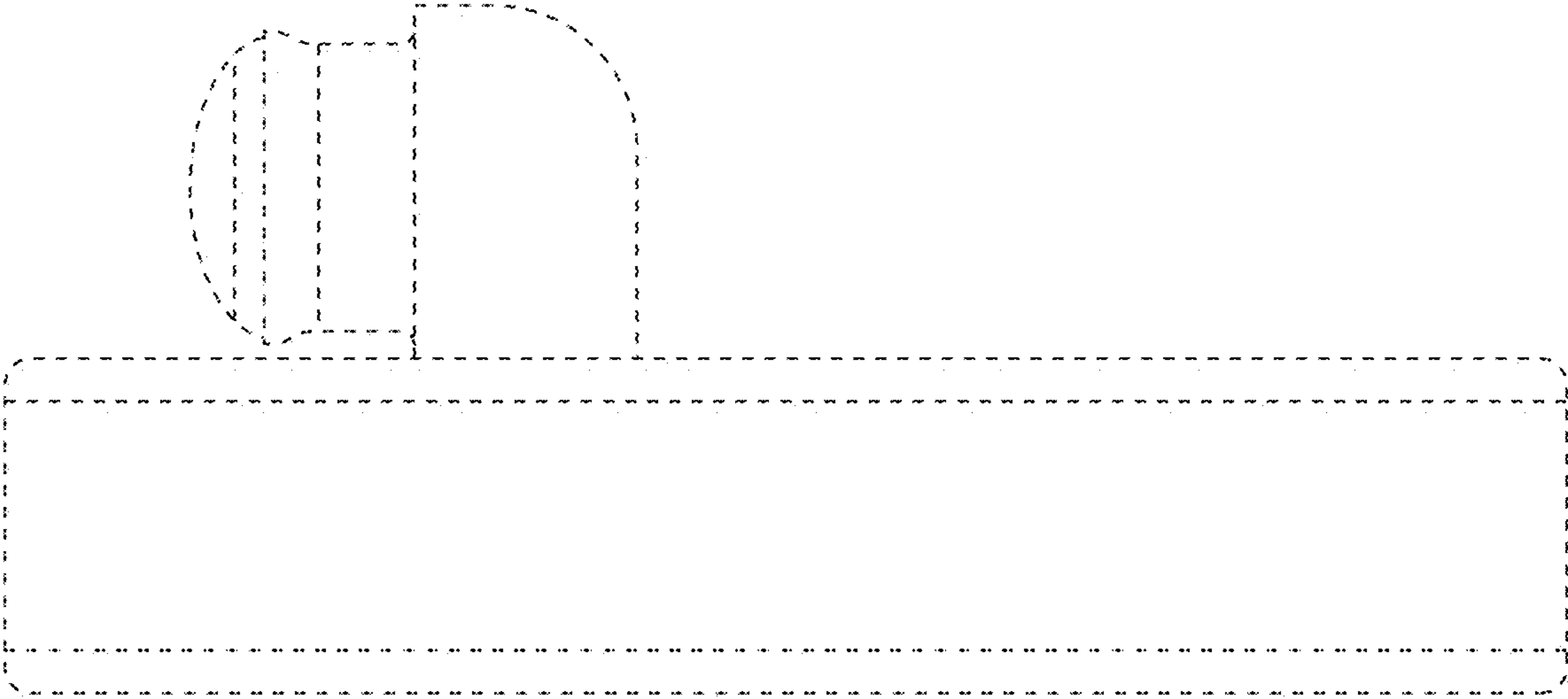


FIG. 30

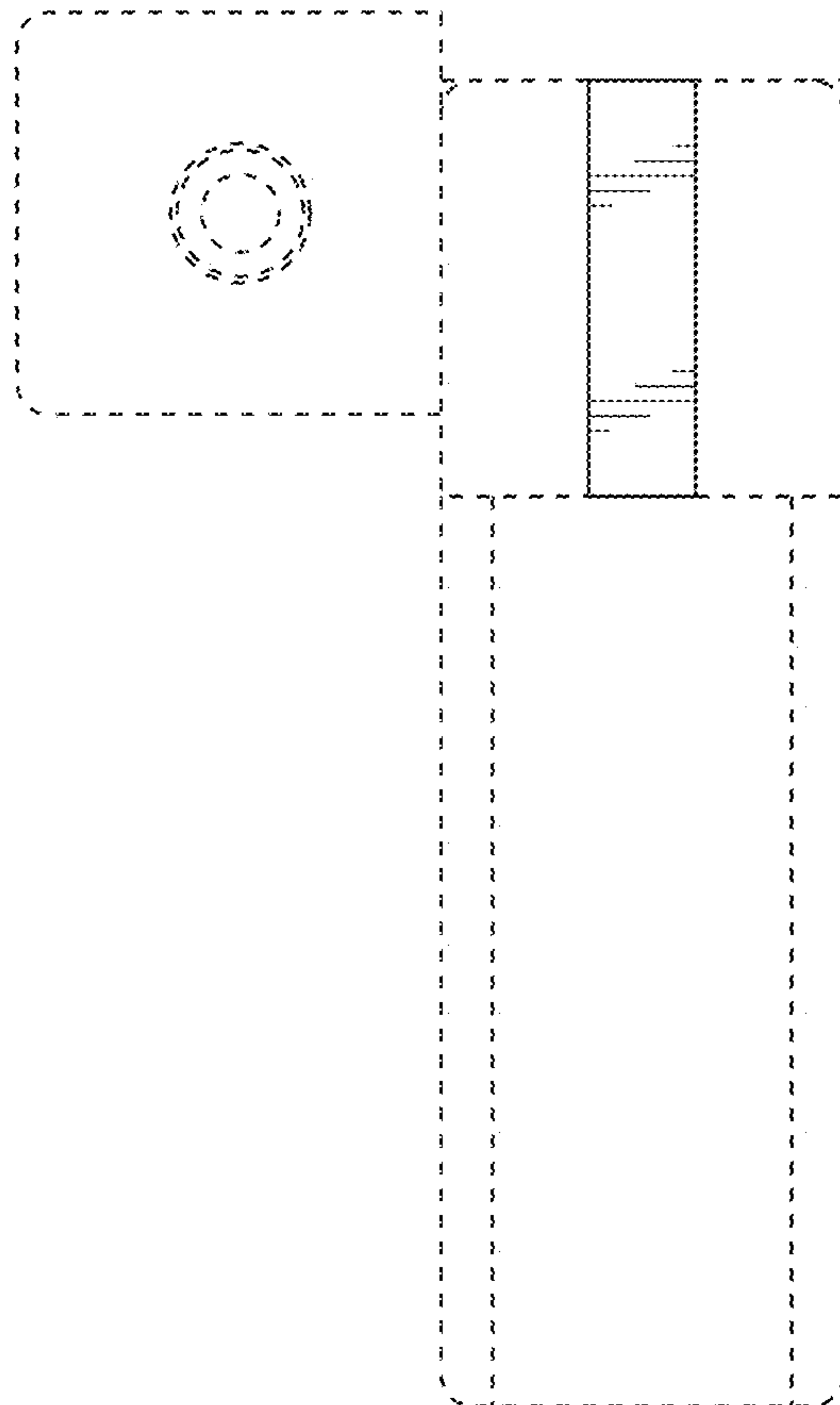


FIG. 31

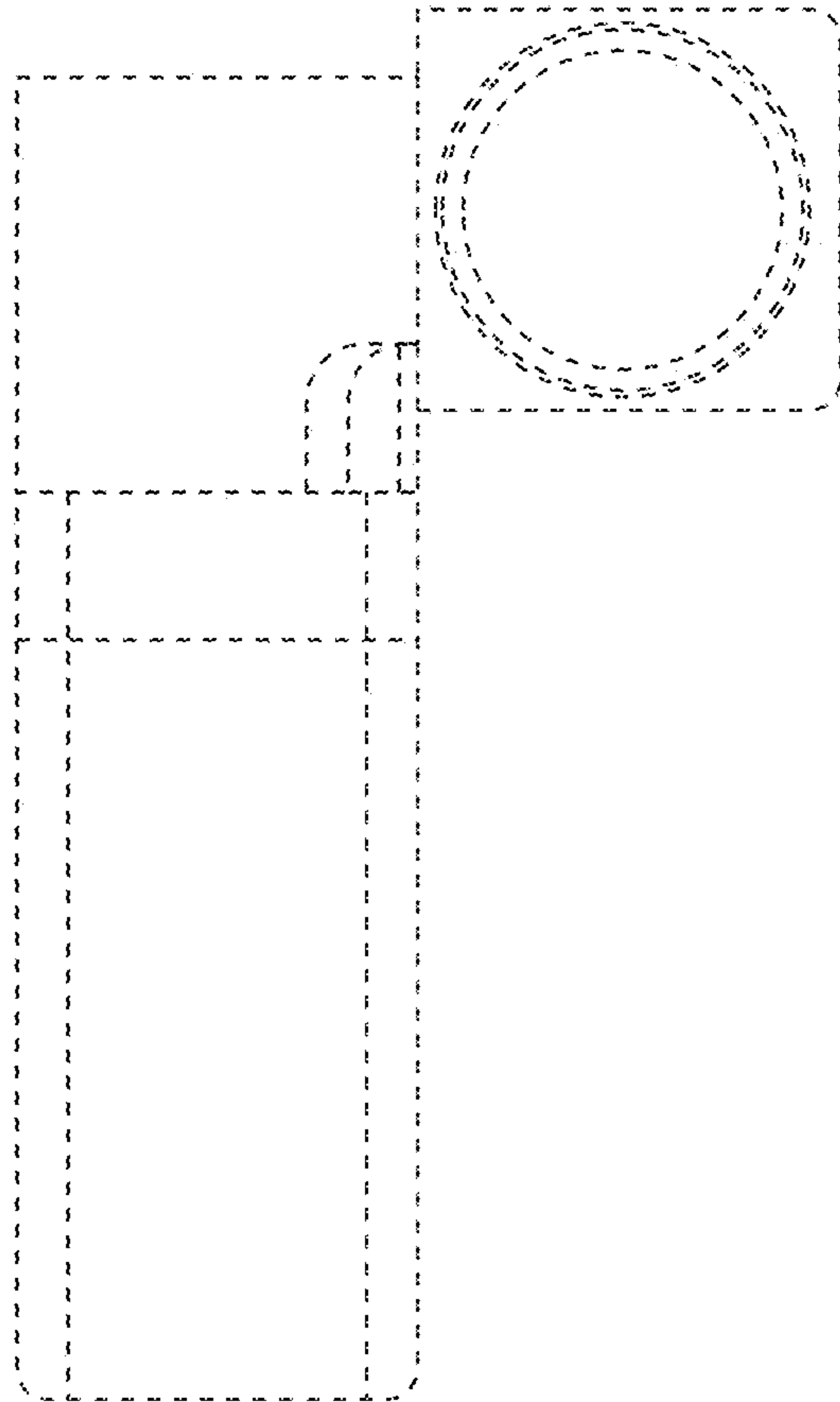


FIG. 32

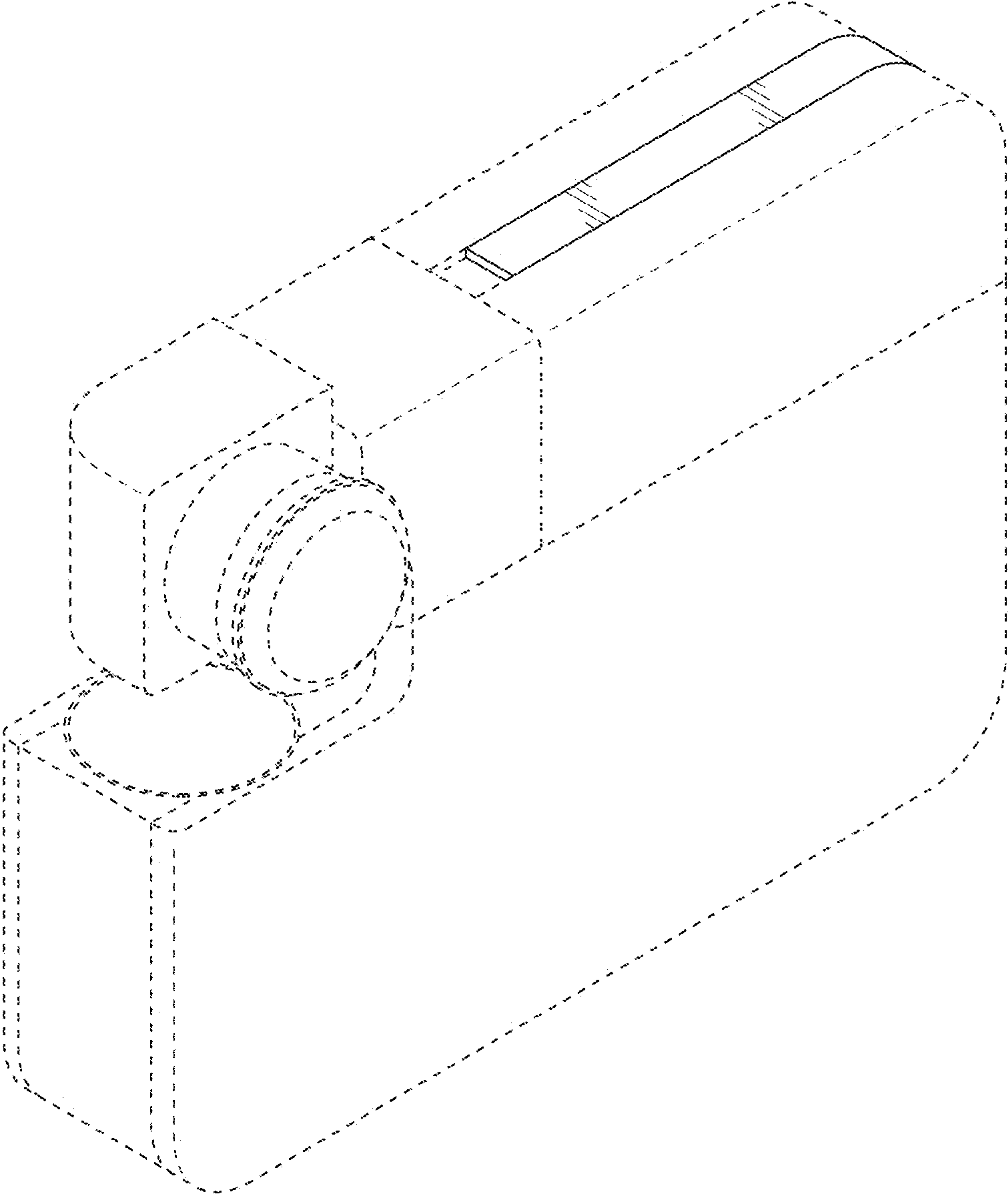


FIG. 33

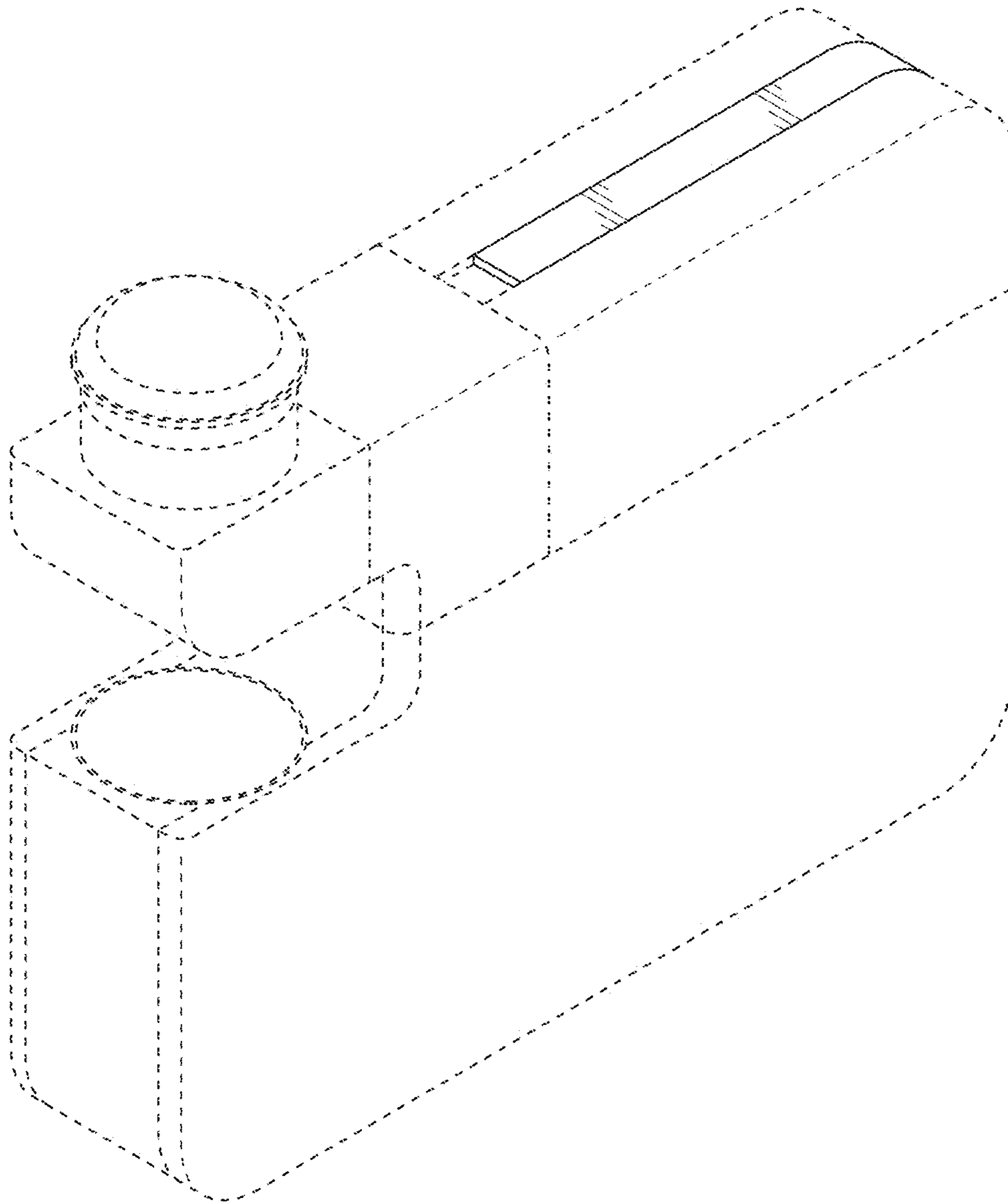


FIG. 34

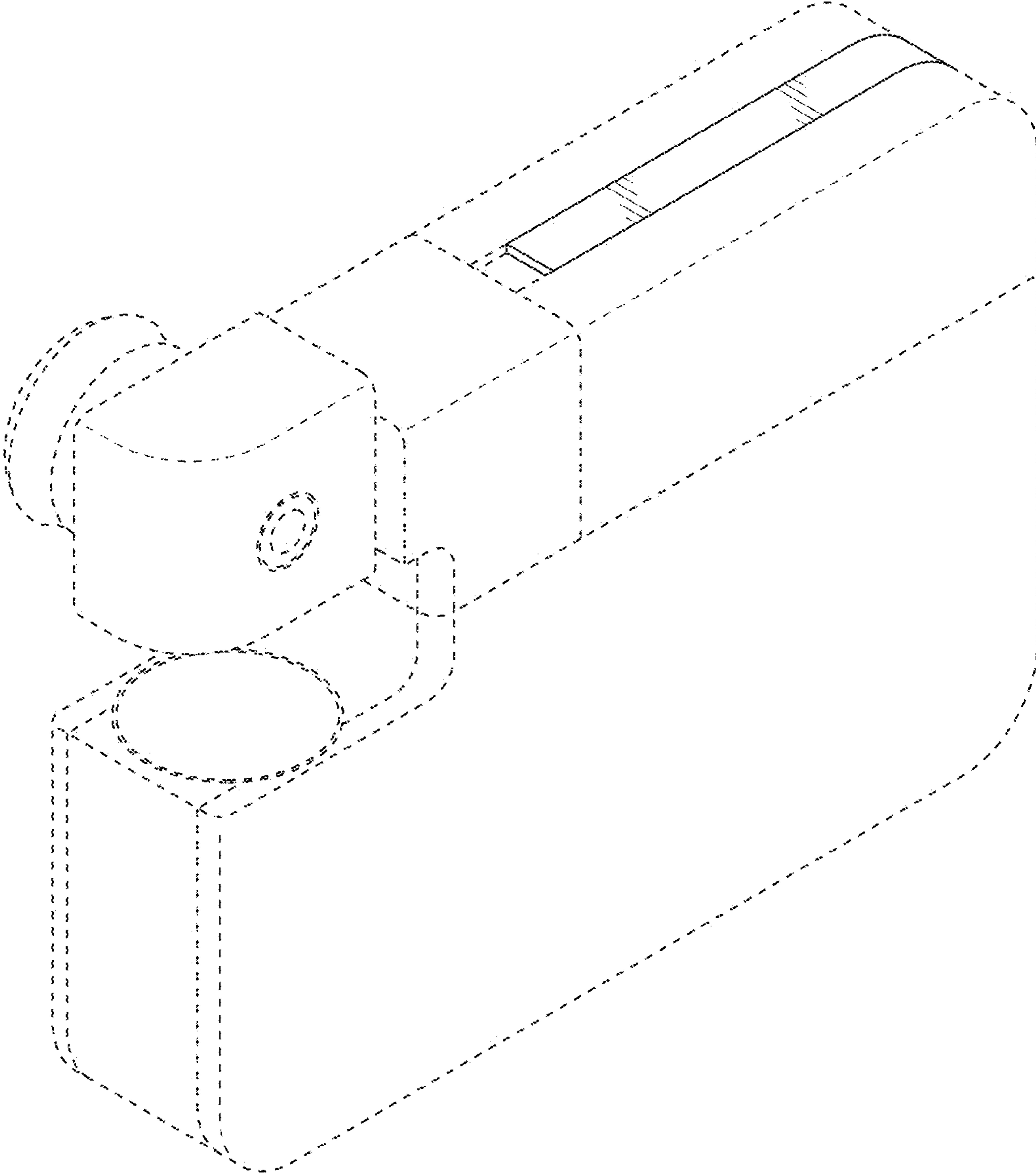


FIG. 35

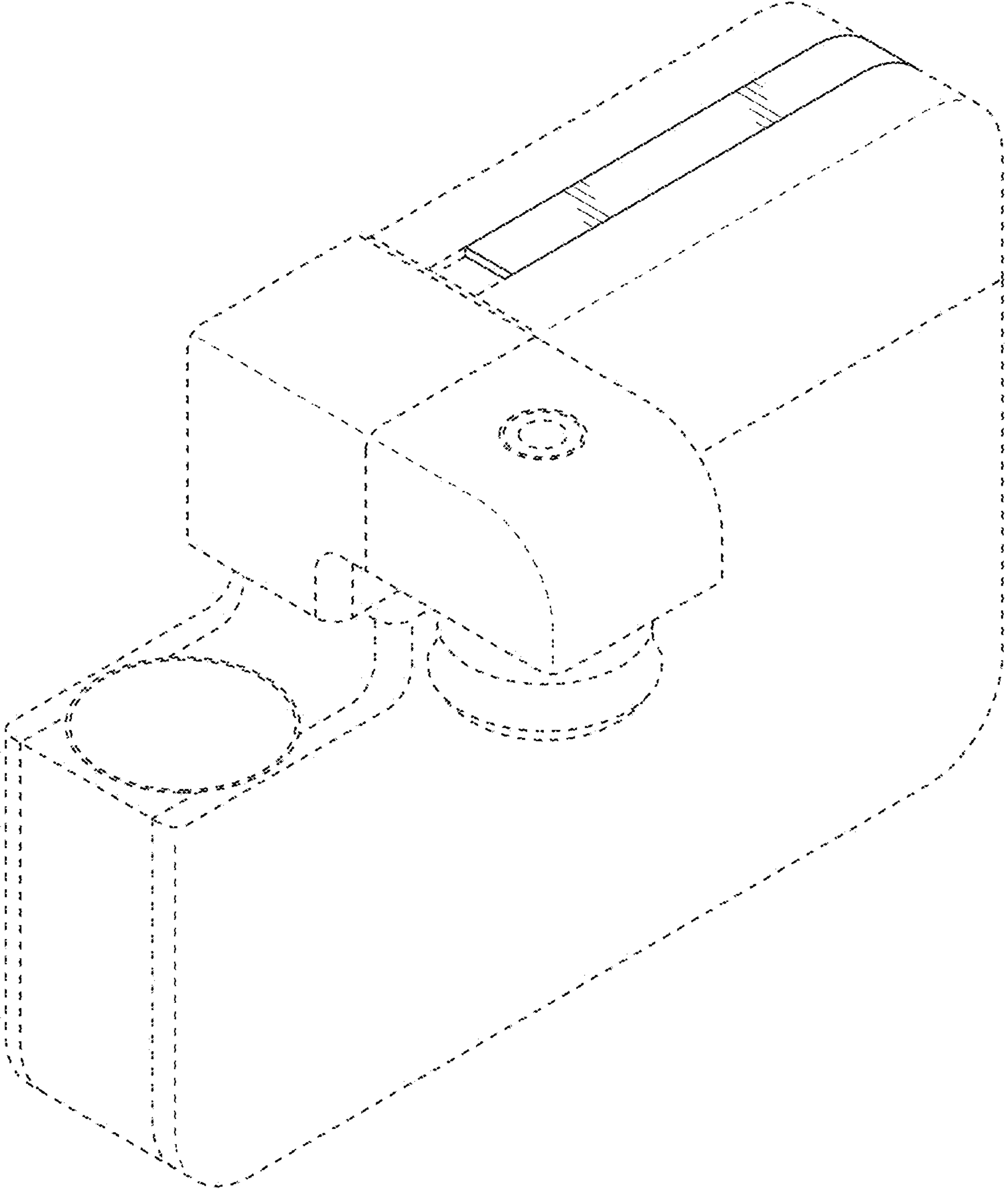


FIG. 36

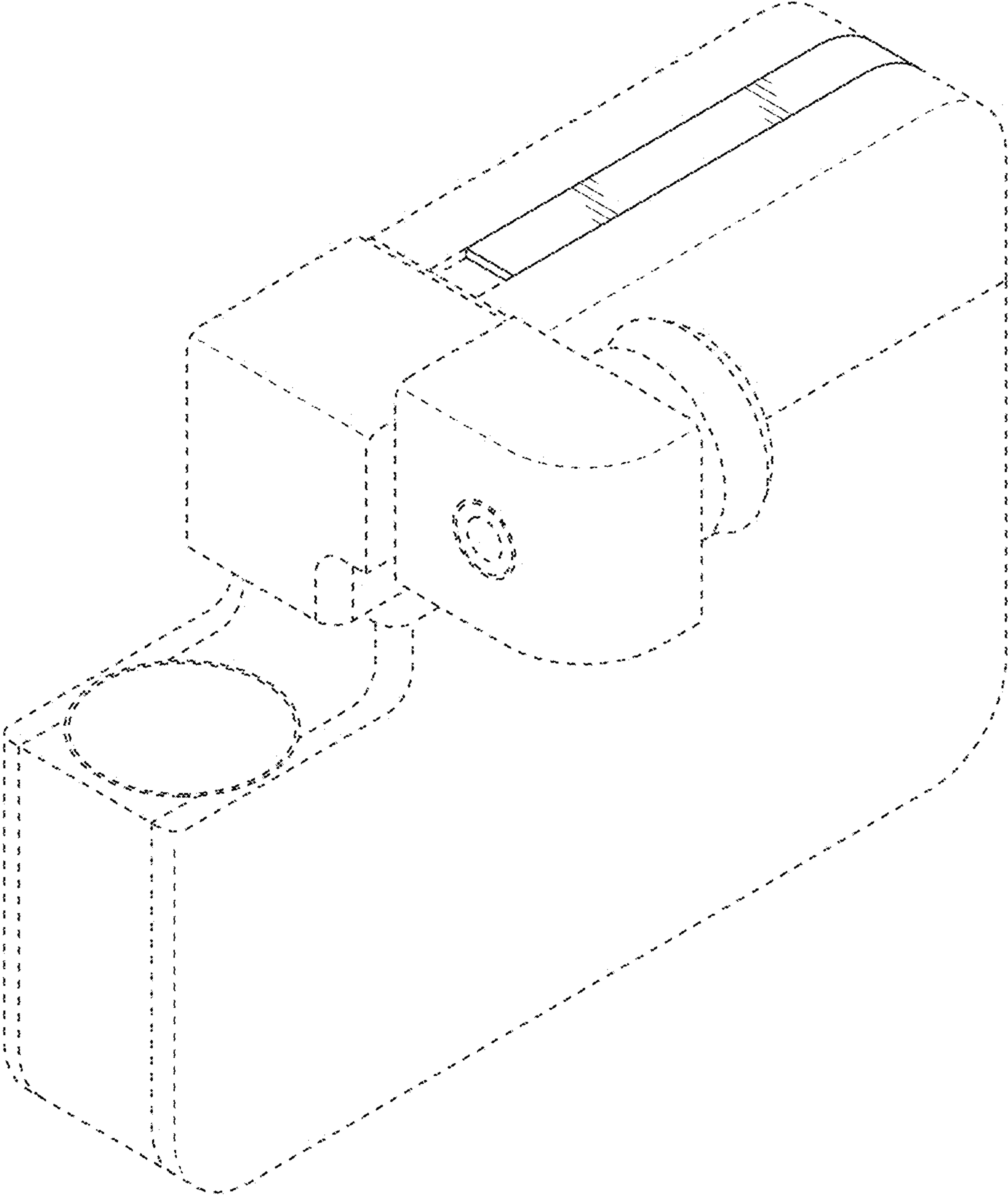


FIG. 37

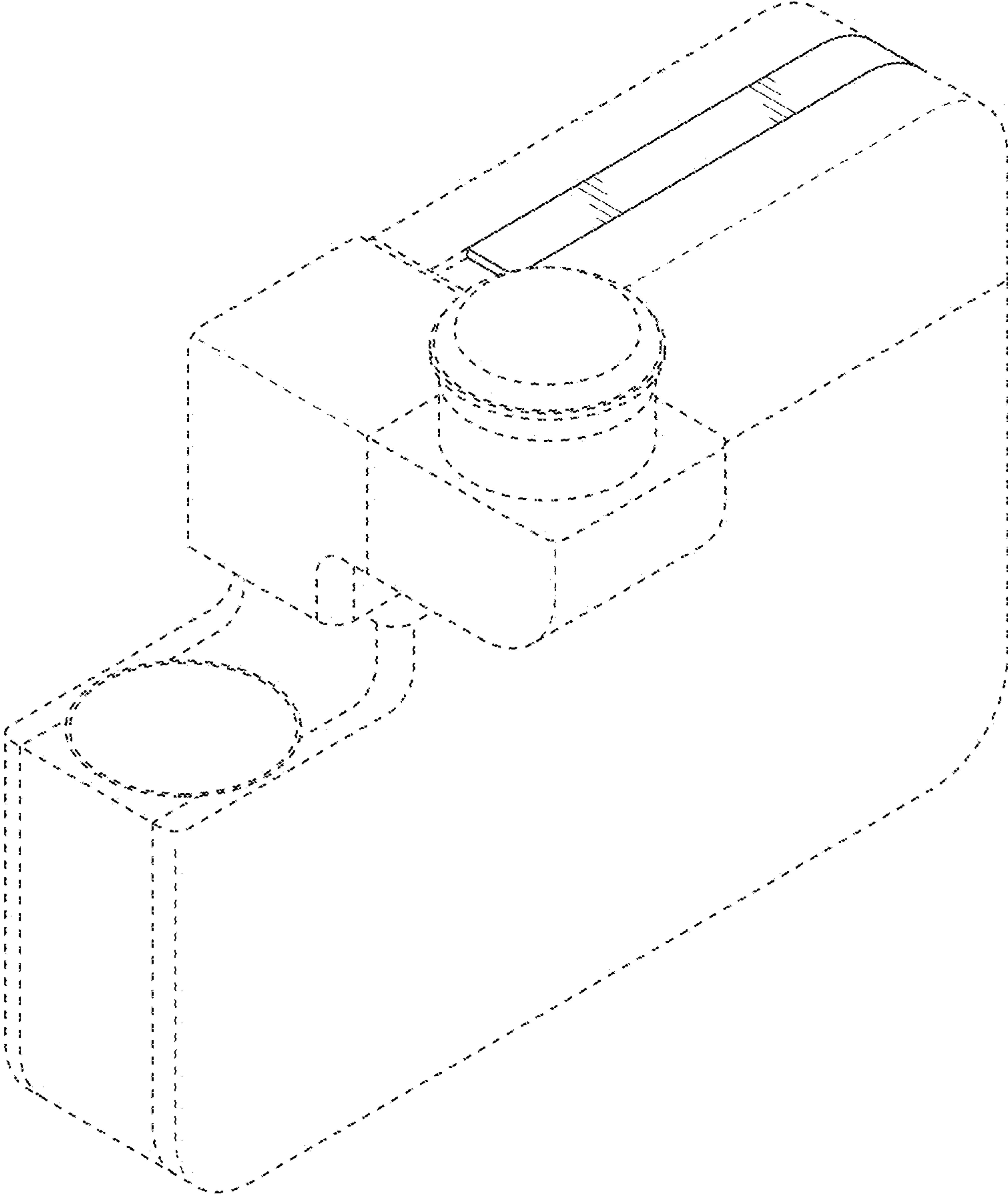


FIG. 38

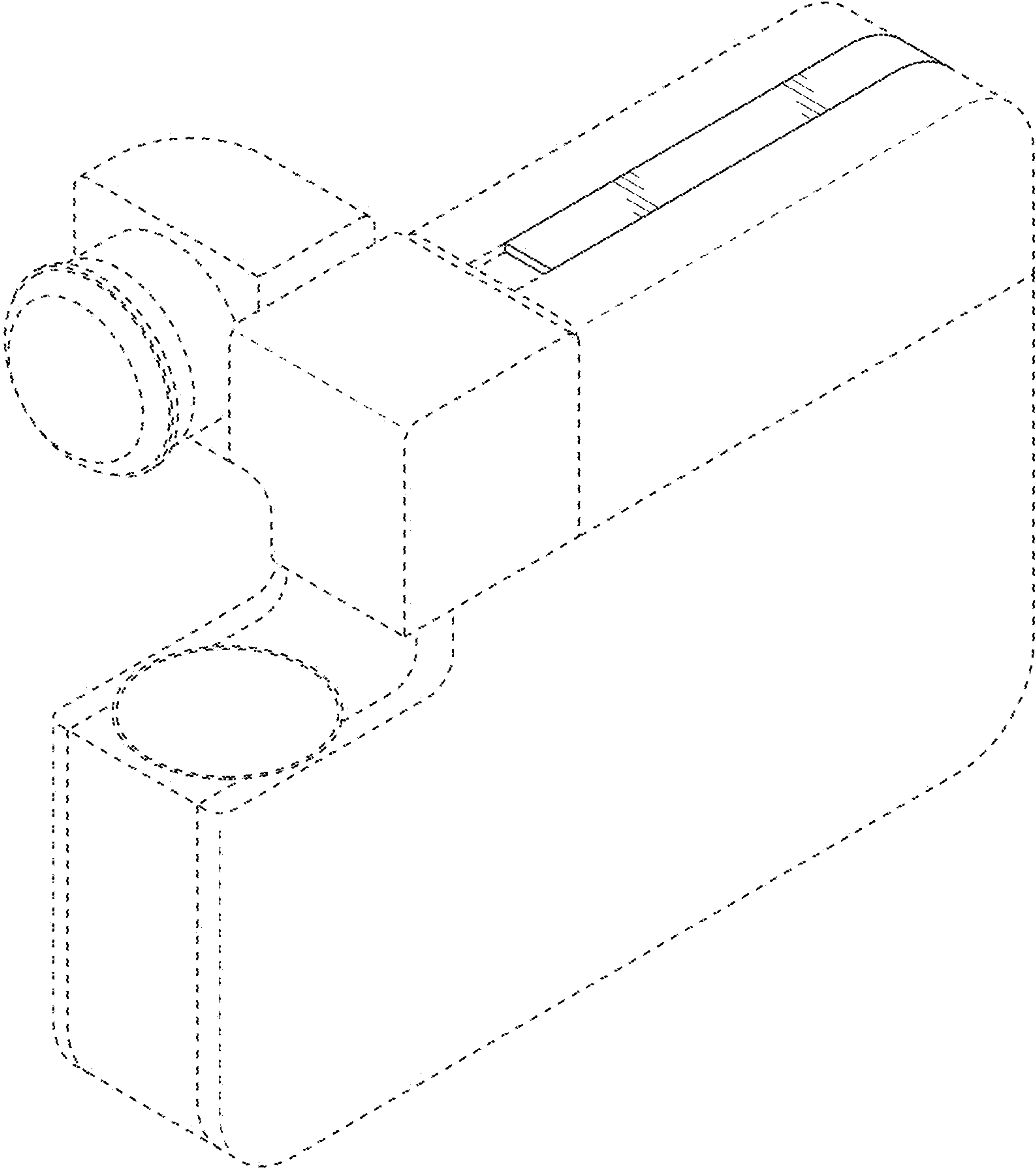


FIG. 39

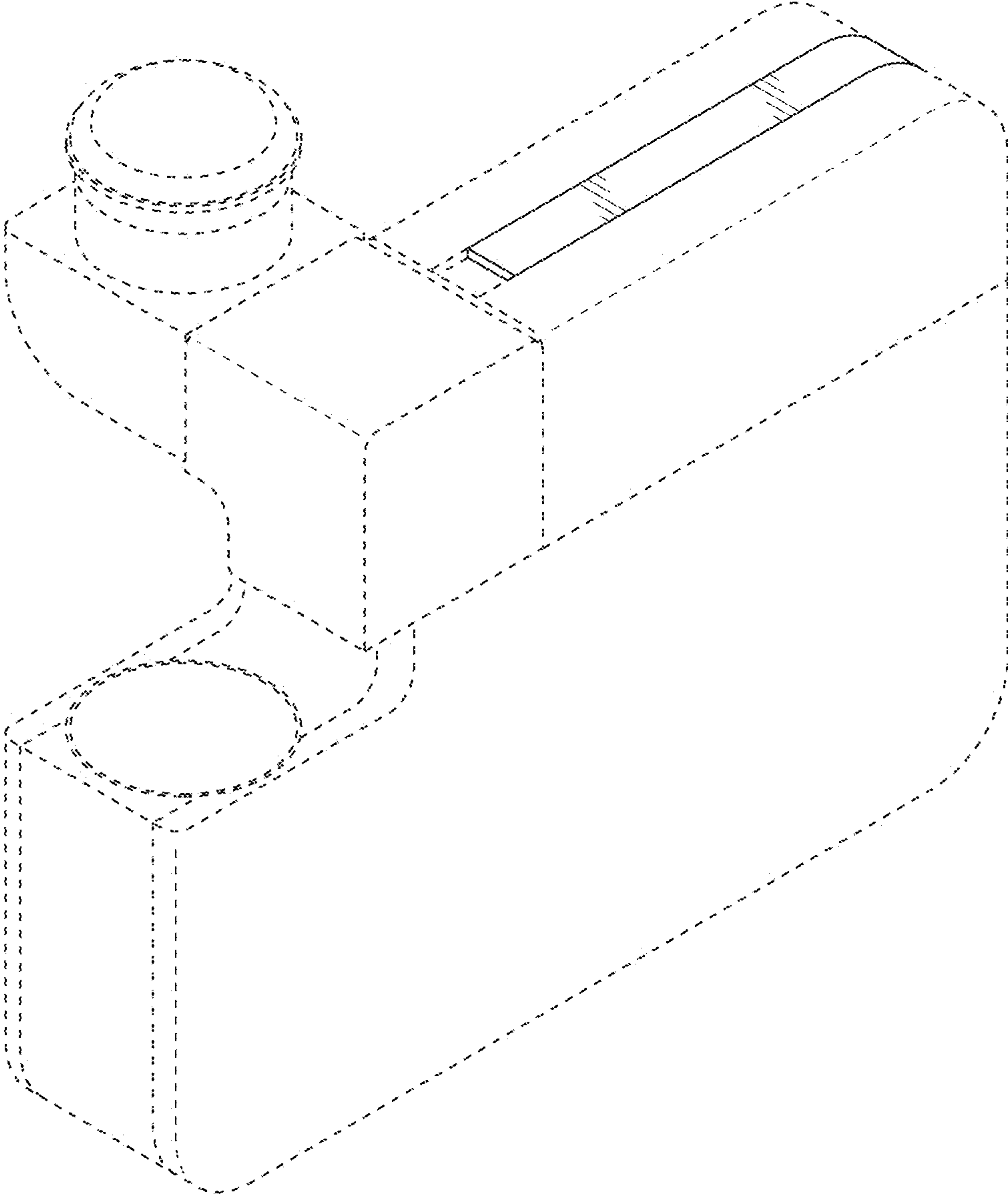


FIG. 40

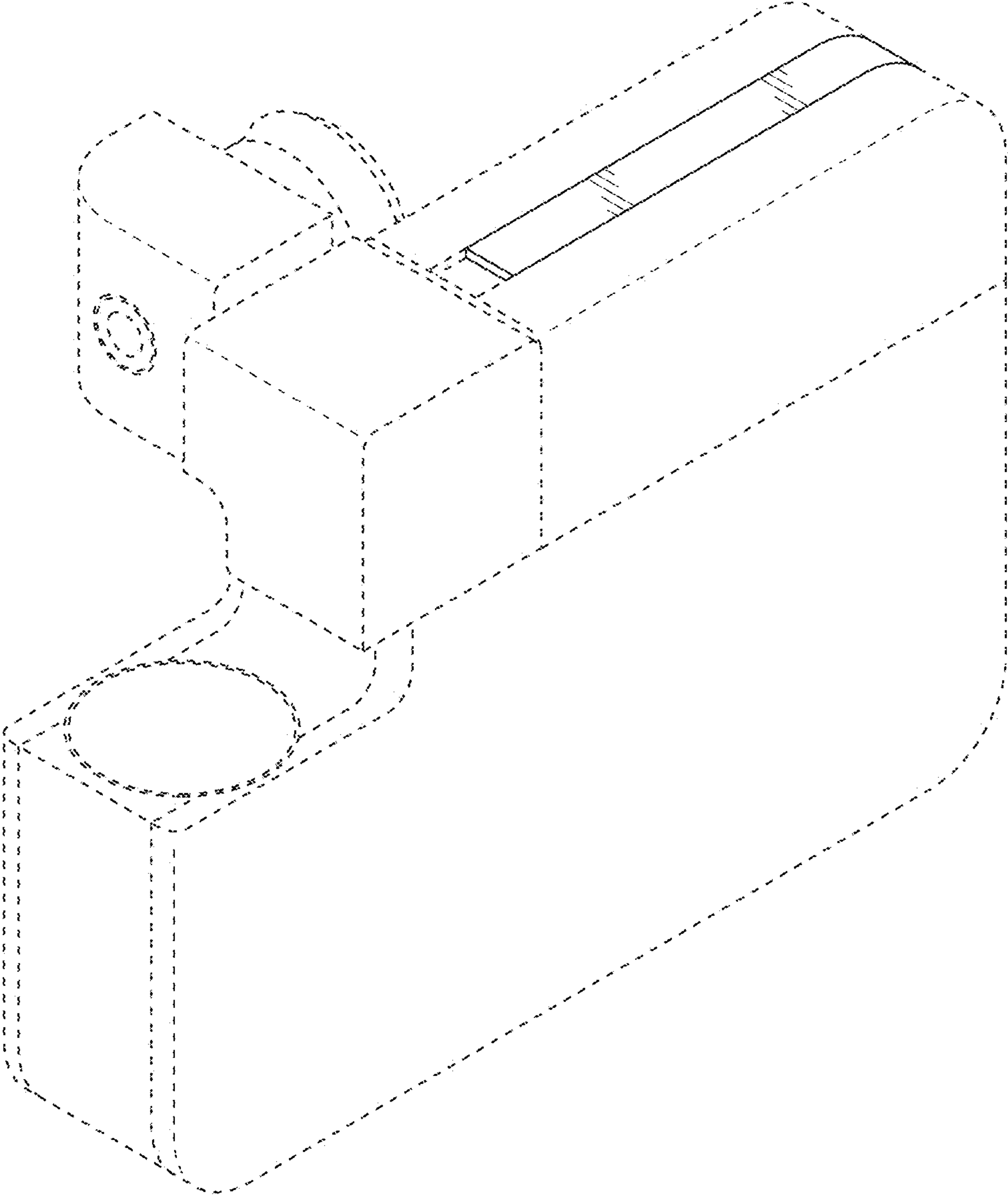


FIG. 41

