



US00D883365S

(12) **United States Design Patent**
Nishimori et al.

(10) **Patent No.:** **US D883,365 S**

(45) **Date of Patent:** **** May 5, 2020**

(54) **CAMERA FOR IMAGE INSPECTION**

(71) Applicant: **OMRON Corporation**, Kyoto-shi,
Kyoto (JP)

(72) Inventors: **Naoki Nishimori**, Kusatsu (JP); **Takuro Anzai**, Chigasaki (JP); **Masahiro Takayama**, Kusatsu (JP)

(73) Assignee: **OMRON Corporation**, Kyoto-shi (JP)

(**) Term: **15 Years**

(21) Appl. No.: **29/685,542**

(22) Filed: **Mar. 28, 2019**

(30) **Foreign Application Priority Data**

Oct. 22, 2018 (JP) 2018-023089

(51) **LOC (12) Cl.** **16-05**

(52) **U.S. Cl.**
USPC **D16/219**

(58) **Field of Classification Search**
USPC D16/200, 202–206, 208, 218, 219;
348/373–376; 396/535, 539–541
CPC G03B 15/03; G03B 17/02; G03B 17/04;
G03B 17/56; G03B 19/04; H04N 5/2251;
H04N 5/2252; H04N 5/2253; H04N
5/2254; H04N 2101/00

See application file for complete search history.

(56) **References Cited**

U.S. PATENT DOCUMENTS

D537,094 S * 2/2007 Lee D16/200
D617,821 S * 6/2010 Kaplan D16/202

D633,930 S * 3/2011 Dinger D16/202
D641,771 S * 7/2011 Sasaki D16/202
D692,473 S * 10/2013 Kawaguchi D16/202
D697,119 S * 1/2014 Park D16/202
D715,347 S * 10/2014 Troxel D16/202
D729,295 S * 5/2015 Onruang D16/202
D755,271 S * 5/2016 Patulski D16/202
D755,875 S * 5/2016 Geng H04N 5/2251
D16/203
2014/0160349 A1 * 6/2014 Huang H04N 5/2251
348/375

* cited by examiner

Primary Examiner — Ramzi S Almatrahi
(74) *Attorney, Agent, or Firm* — Metrolex IP Law Group,
PLLC

(57) **CLAIM**

The ornamental design for a camera for image inspection, as shown and described.

DESCRIPTION

FIG. 1 is a front perspective view of a camera for image inspection;
FIG. 2 is a rear perspective view thereof;
FIG. 3 is a front view thereof;
FIG. 4 is a rear view thereof;
FIG. 5 is a top view thereof;
FIG. 6 is a bottom view thereof;
FIG. 7 is a right side view thereof;
FIG. 8 is a left side view thereof; and,
FIG. 9 is a cross-sectional view thereof taken along line IX-IX in FIG. 3.
The broken lines depict portions of the camera for image inspection in which the design is embodied that form no part of the claimed design.

1 Claim, 5 Drawing Sheets

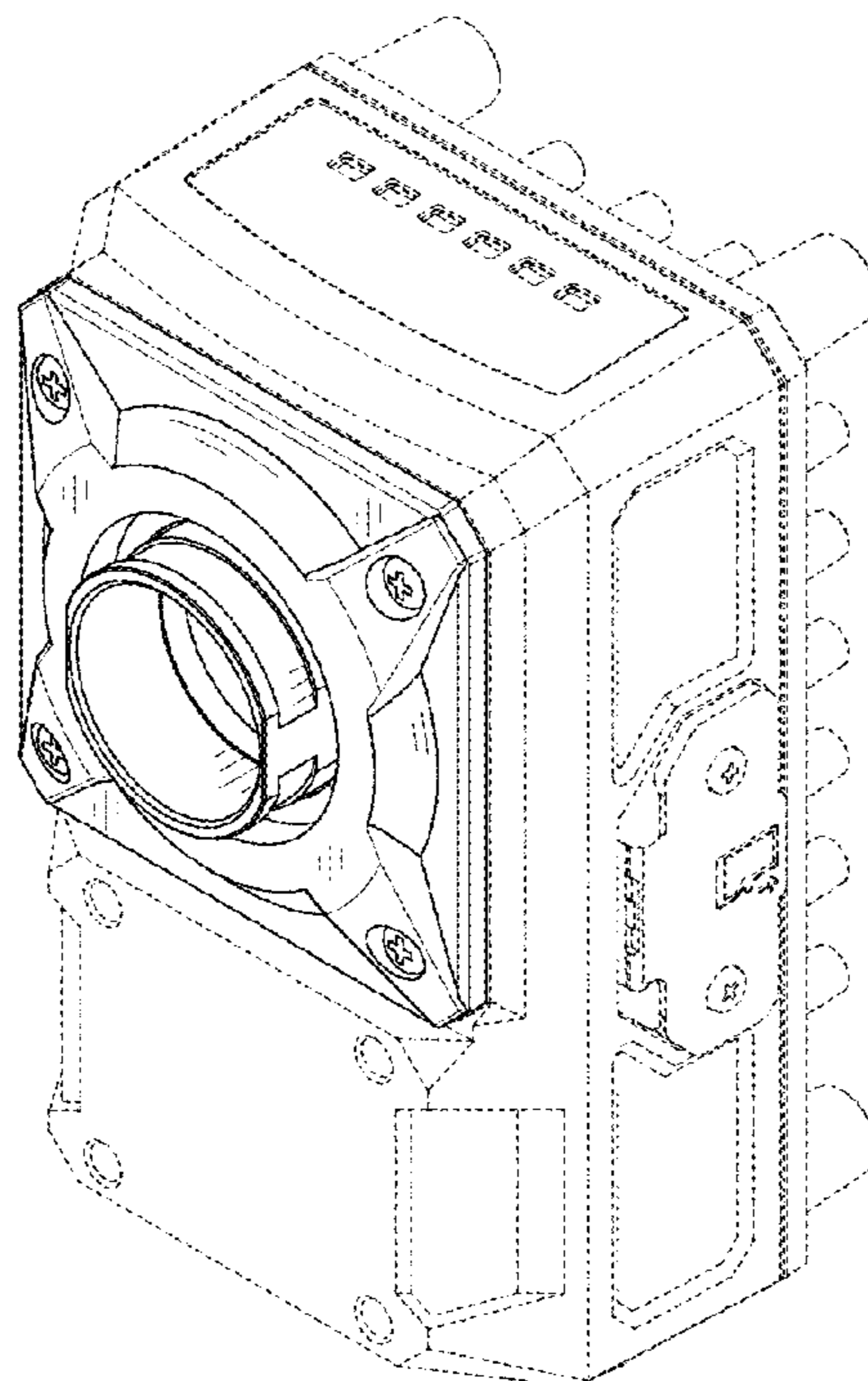


FIG. 1

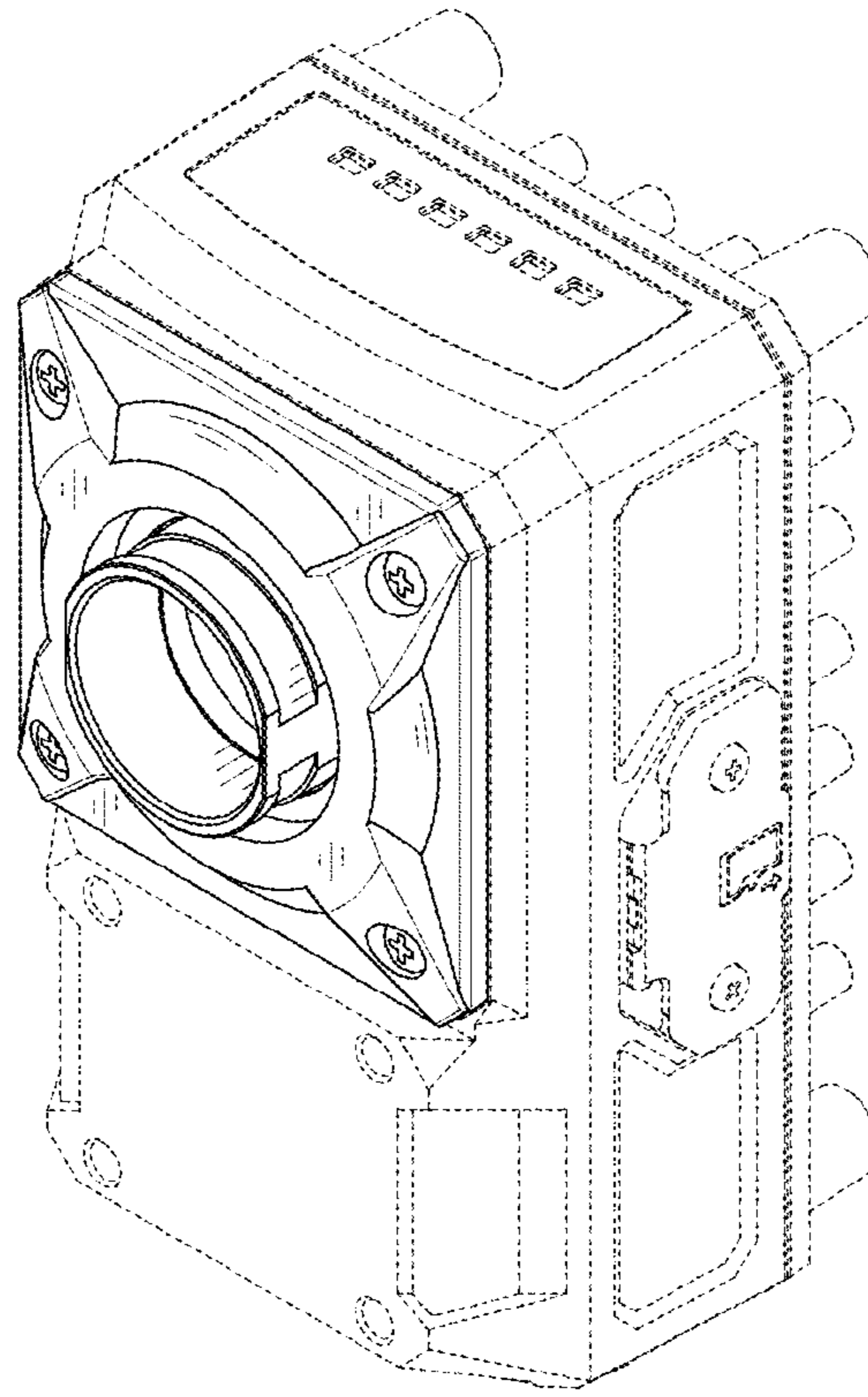


FIG. 2

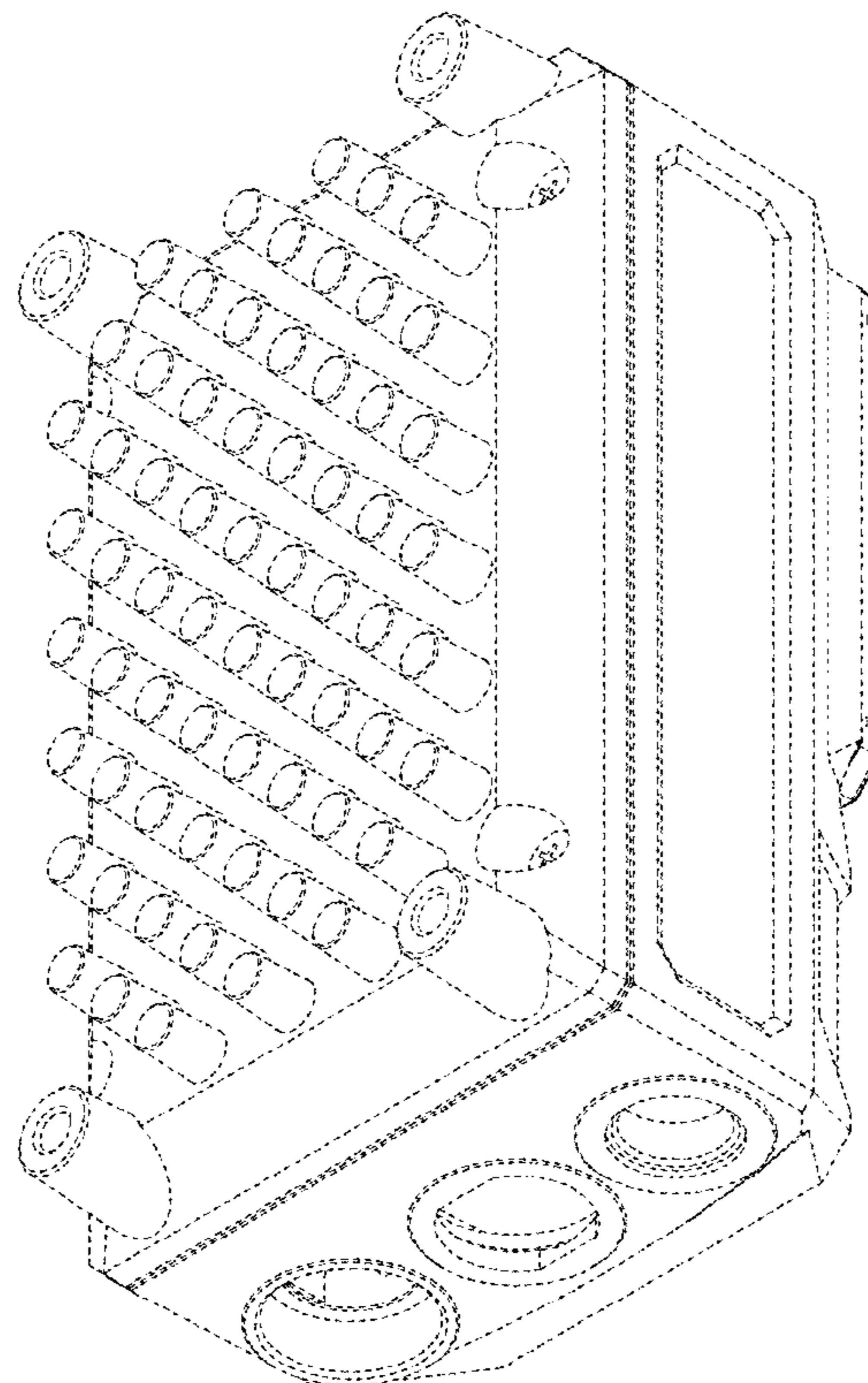


FIG. 3

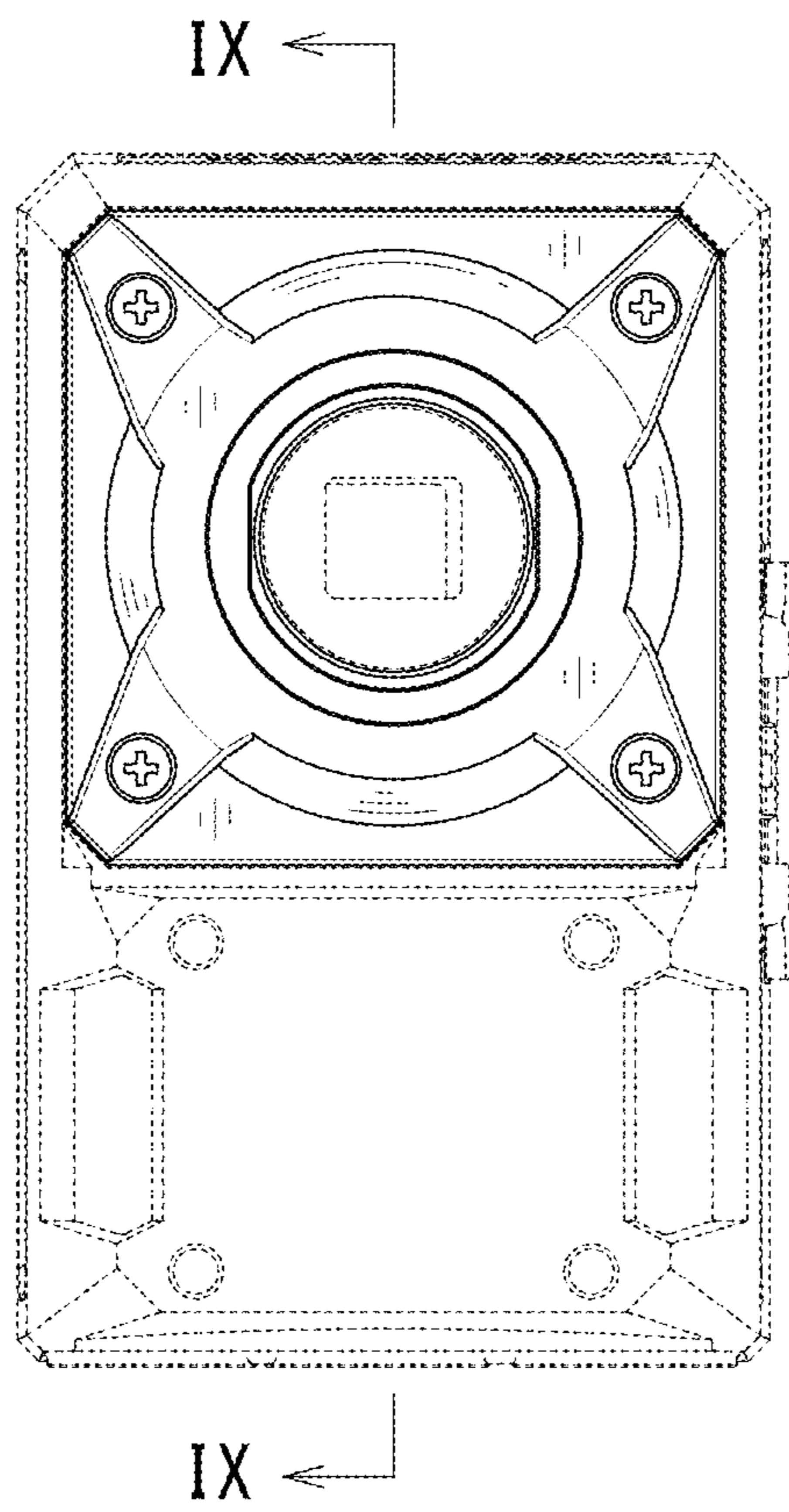


FIG. 4

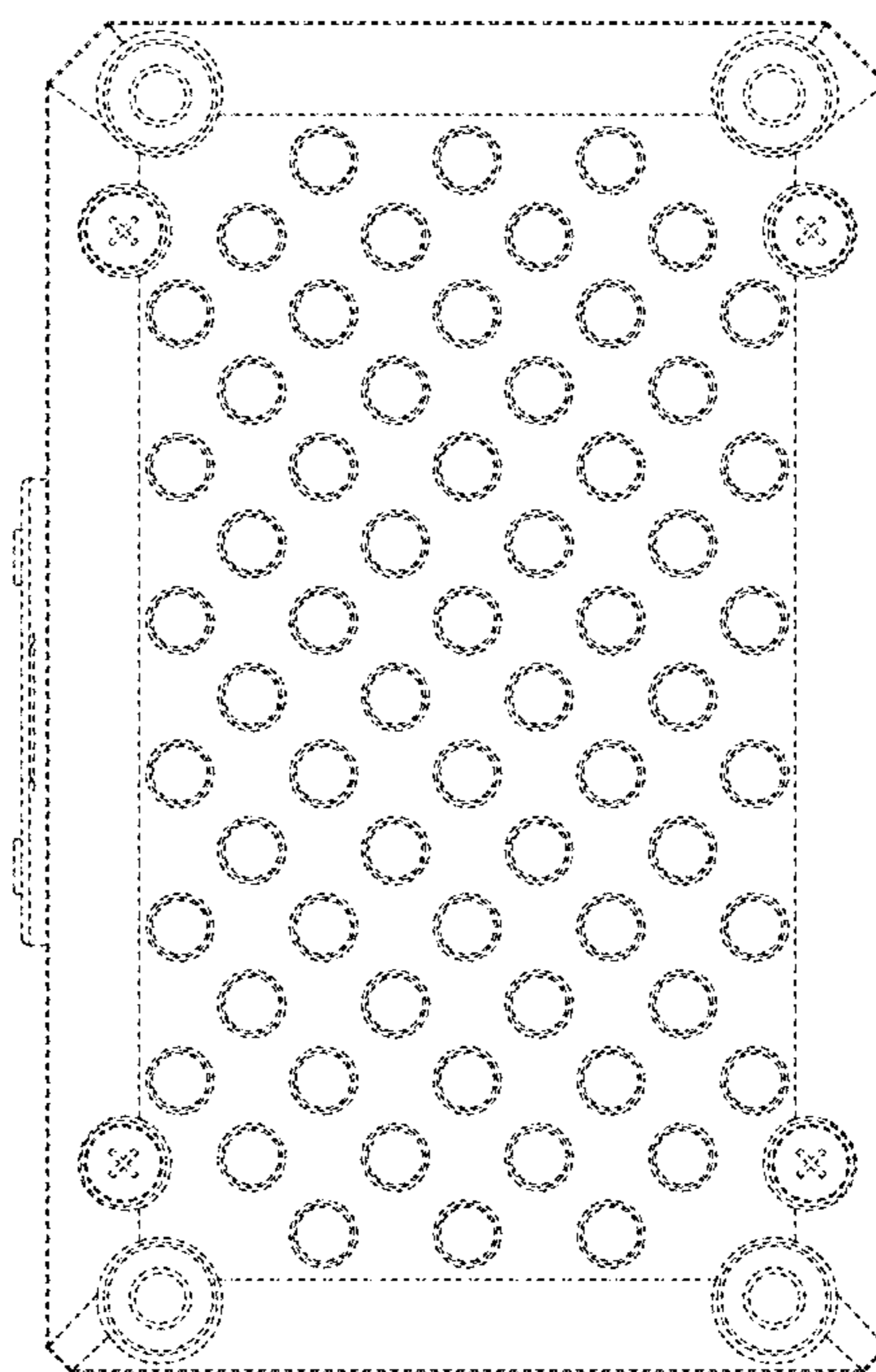


FIG. 5

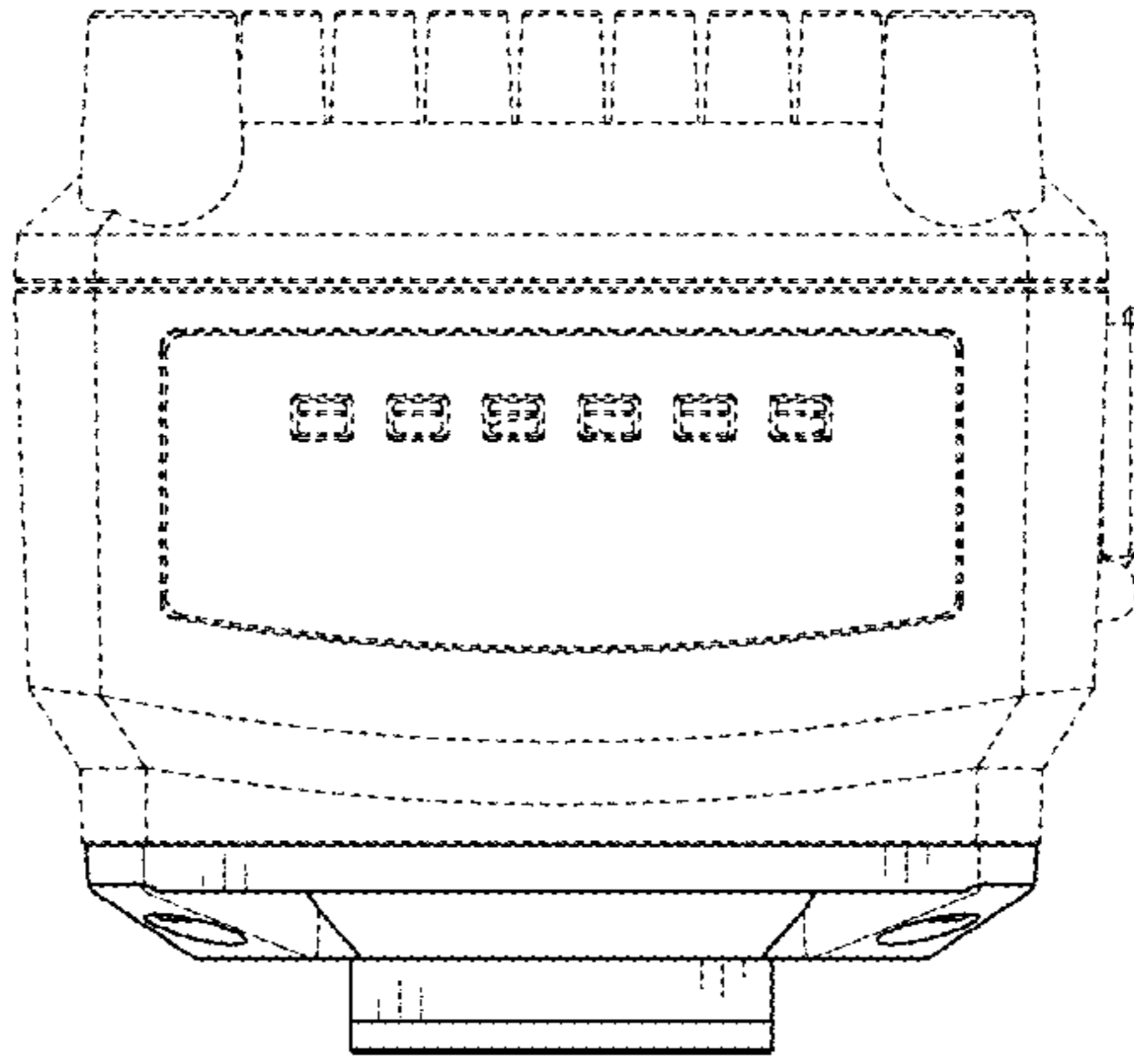


FIG. 6

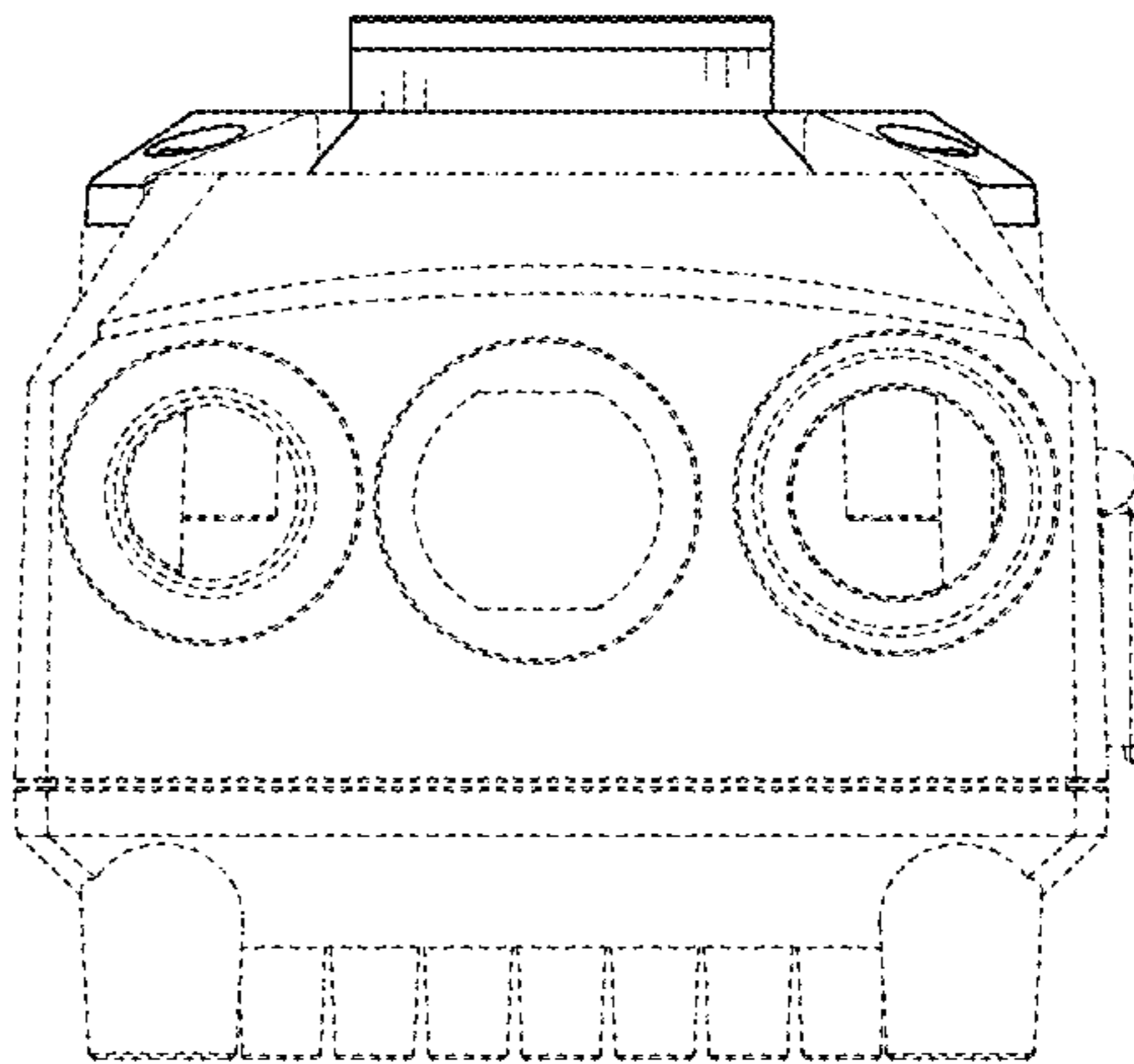


FIG. 7

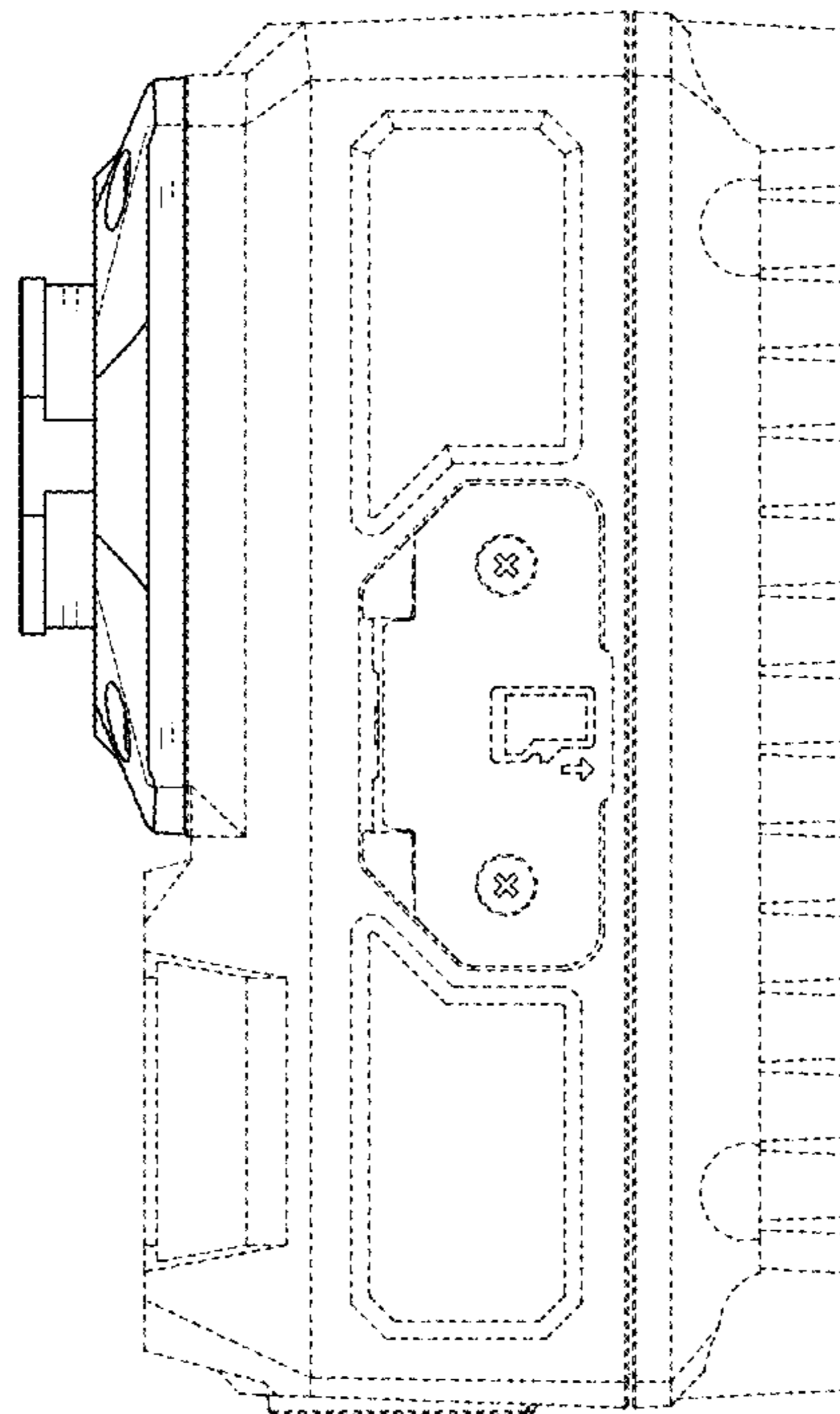


FIG. 8

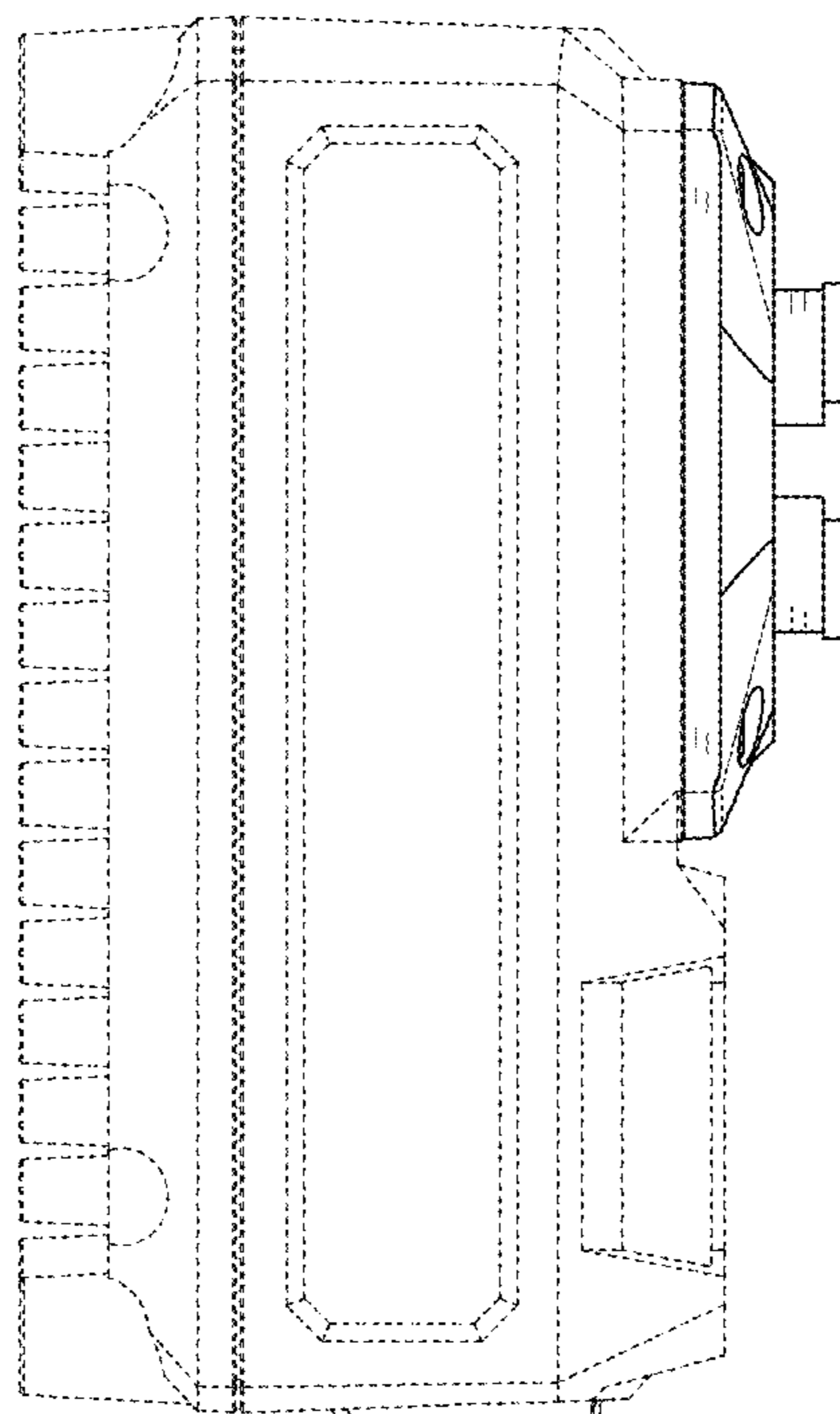


FIG. 9

