



US00D883364S

(12) **United States Design Patent** (10) **Patent No.:** **US D883,364 S**
Masuda et al. (45) **Date of Patent:** **** May 5, 2020**

(54) **VEHICLE-MOUNTED STEREO CAMERA**

FOREIGN PATENT DOCUMENTS

(71) Applicant: **Hitachi Automotive Systems, Ltd.**,
Hitachinaka-shi, Ibaraki (JP)

EP 1280225 A2 * 1/2003 H01Q 23/00

(72) Inventors: **Keisuke Masuda**, Ibaraki (JP);
Masaaki Fukuhara, Ibaraki (JP)

OTHER PUBLICATIONS

(73) Assignee: **Hitachi Automotive Systems, Ltd.**,
Hitachinaka-shi (JP)

Hitachi Automotive Systems stereo camera, published Jun. 24, 2019 [online], [retrieved Dec. 19, 2019], Available from Internet, URL: <https://www.hitachi.com/New/cnews/month/2019/06/190624.html>.*

(**) Term: **15 Years**

(Continued)

(21) Appl. No.: **29/663,977**

Primary Examiner — T Chase Nelson

(22) Filed: **Sep. 20, 2018**

Assistant Examiner — Mary Claire Ramirez

(30) **Foreign Application Priority Data**

(74) *Attorney, Agent, or Firm* — Crowell & Moring LLP

Mar. 21, 2018 (JP) 2018-005977

(51) **LOC (12) Cl.** **16-05**

(52) **U.S. Cl.**
USPC **D16/219**

(58) **Field of Classification Search**

USPC D16/200–220, 131, 132, 237, 242, 239,
D16/250, 235, 130, 134, 136, 238;
D14/417, 138 C, 240, 248, 203.1, 203.3,
D14/203.7, 218, 207, 440, 402, 454, 407,
D14/408, 480.6, 436; D10/104.1, 50, 65,
D10/74, 70, 118.2, 66; D18/43;
D29/102, 122, 103
CPC G03B 17/00; G03B 17/02; G03B 17/56;
G03B 17/04; G03B 17/14; G03B 17/08;
G03B 15/03; G03B 15/06; H04N
1/00981;

(Continued)

(56) **References Cited**

U.S. PATENT DOCUMENTS

2,078,651 A * 4/1937 Crocker, Jr. A44B 11/223
24/180

D150,230 S 7/1948 Hertzler
(Continued)

(57) **CLAIM**

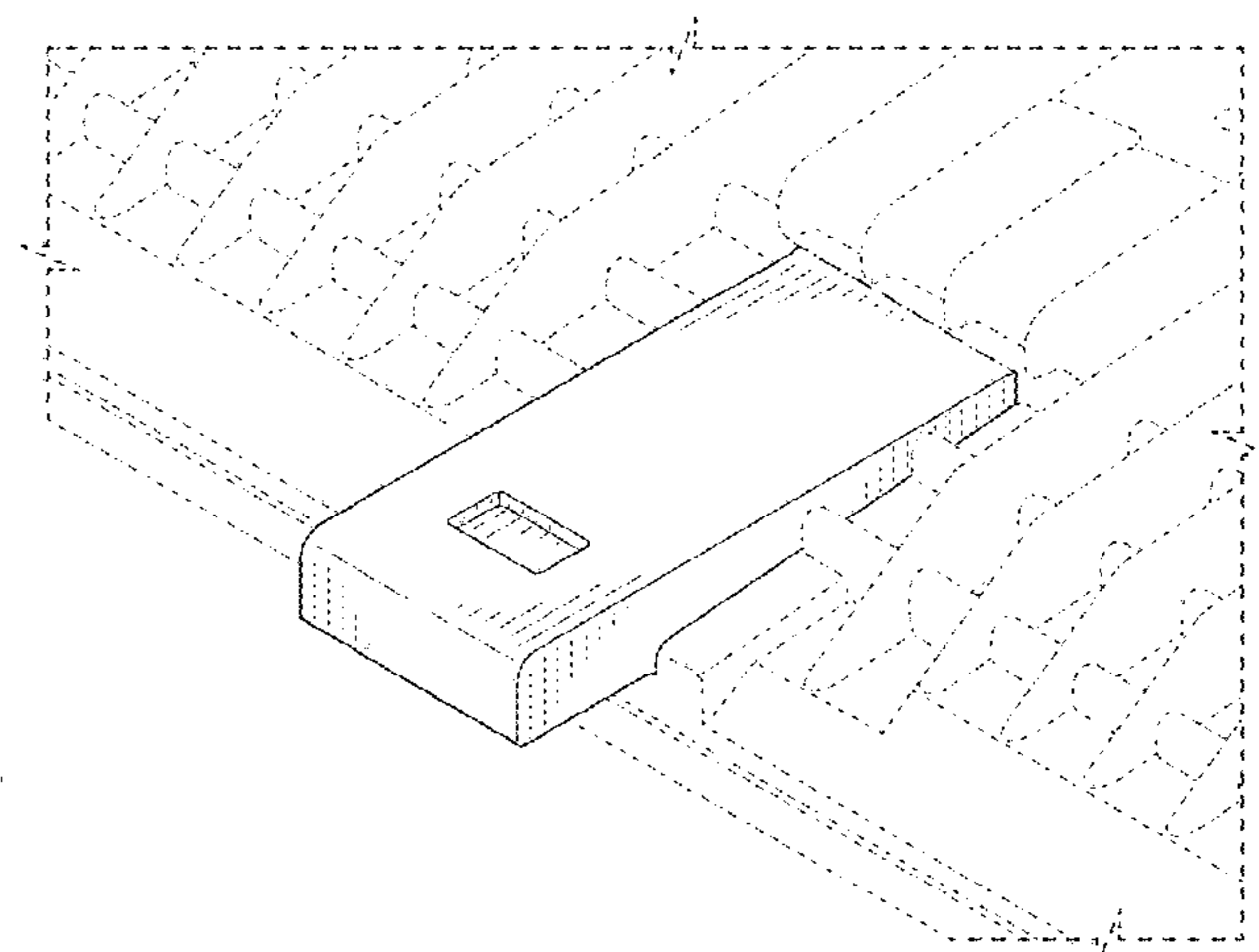
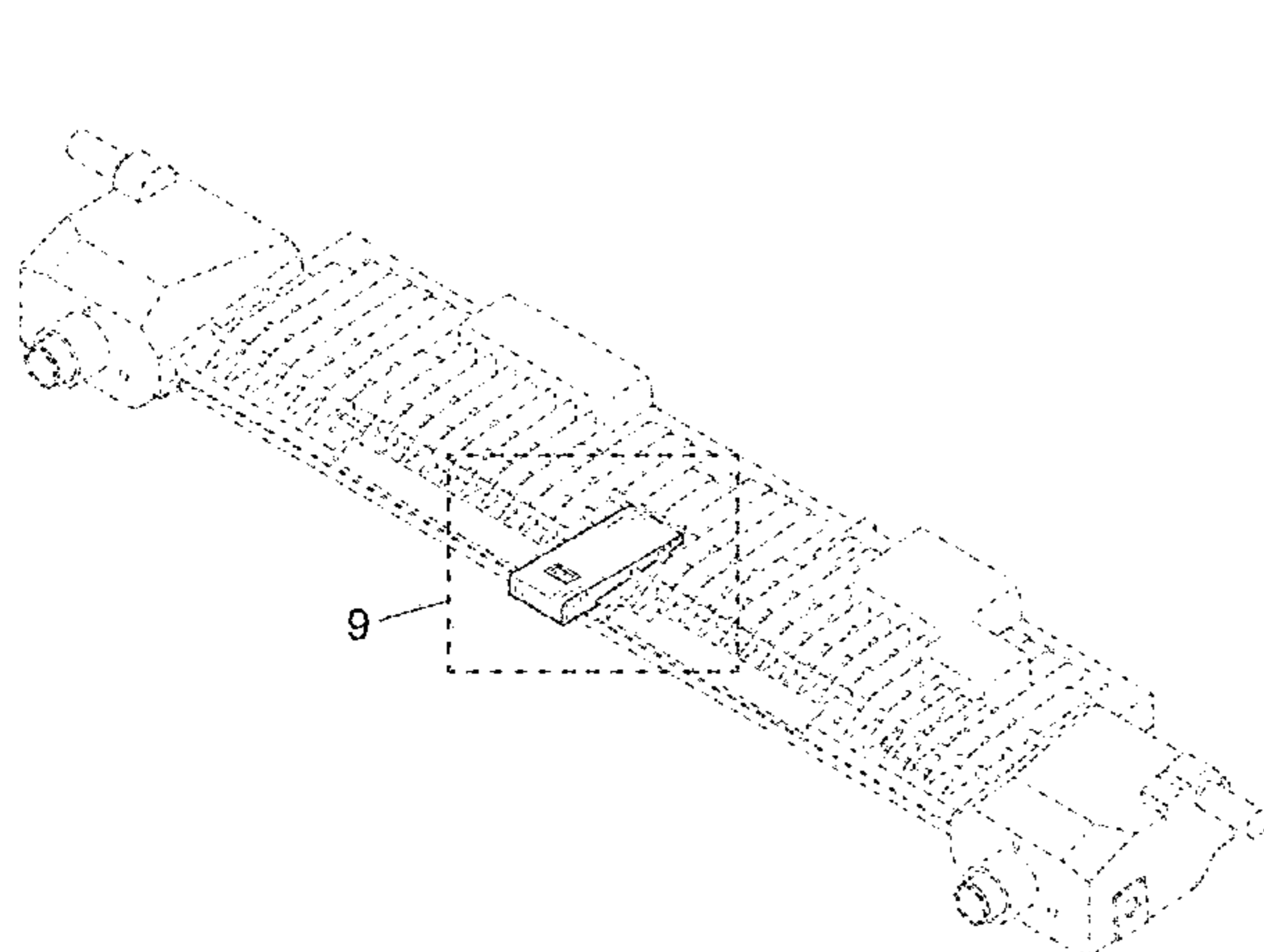
The ornamental design for a vehicle-mounted stereo camera, as shown and described.

DESCRIPTION

FIG. 1 is a front, top and right side perspective view of a vehicle-mounted stereo camera according to the design; FIG. 2 is a front elevational view thereof; FIG. 3 is a left side elevational view thereof; FIG. 4 is a right side elevational view thereof; FIG. 5 is a top plan view thereof; FIG. 6 is a bottom plan view thereof; FIG. 7 is a rear elevational view thereof; FIG. 8 is an enlarged cross-sectional view taken in the direction of line 8-8 in FIG. 2; and, FIG. 9 is an enlarged view of the portion of the vehicle-mounted stereo camera shown in the area designated as 9 in FIG. 1.

The dash-dash broken lines shown in the drawings depict portions of the vehicle-mounted stereo camera that form no part of the claimed design. The dot-dash lines depict the boundary of the claim and form no part of the claimed design.

1 Claim, 5 Drawing Sheets



(58) **Field of Classification Search**

CPC .. H04N 5/2251; H04N 5/2252; H04N 5/2253;
H04N 5/2254; H04N 5/23238; H04N
7/00; H04N 13/239; H04N 2101/00;
F16M 13/00

See application file for complete search history.

(56) **References Cited**

U.S. PATENT DOCUMENTS

D171,045 S * 12/1953 Noe D11/216
D241,820 S 10/1976 Jewell
D241,821 S 10/1976 Jewell
4,057,169 A 11/1977 Payne
D251,657 S 4/1979 Jewell
D269,088 S * 5/1983 Genaro D13/184
D276,201 S 11/1984 Wolff
D277,167 S 1/1985 Dart
D289,300 S 4/1987 Saito
4,673,955 A 6/1987 Ameyama et al.
D298,336 S 11/1988 Masaki
4,830,320 A * 5/1989 Bellows A47B 91/12
248/188.2
D302,140 S * 7/1989 Johnston D11/216
D305,422 S 1/1990 Steer et al.
D308,826 S 6/1990 Cyr et al.
D316,001 S 4/1991 Guard
D318,207 S 7/1991 Anderson
D324,024 S * 2/1992 Nagele D13/108
D338,808 S 8/1993 Anderson
D353,516 S 12/1994 Anderson
D357,896 S 5/1995 Berry
D359,323 S * 6/1995 Ross D21/685
D362,415 S * 9/1995 Takimoto D11/216
D363,856 S 11/1995 Westbrook, Jr.
D366,187 S 1/1996 Van Den Kieboom
D375,519 S 11/1996 Tsumuki
D378,726 S 4/1997 Dunn
D389,848 S * 1/1998 James 396/535
D402,257 S 12/1998 Richards et al.
D407,667 S * 4/1999 Homeier D11/216
D409,561 S * 5/1999 Chintala D13/103
D411,528 S 6/1999 Tien
D420,855 S 2/2000 Hurley
D422,262 S * 4/2000 Peterzell D13/103
D431,226 S * 9/2000 Frye D13/103
D452,459 S * 12/2001 Riley D11/216
D467,932 S 12/2002 Jones
D473,139 S 4/2003 Jowett
D479,127 S 9/2003 Jowett
D480,646 S 10/2003 Borchard et al.
D484,521 S 12/2003 Isomoto
D487,165 S 2/2004 Hammond et al.
D487,372 S 3/2004 Ku
D490,184 S 5/2004 McLeish
D491,594 S 6/2004 Senda
D491,595 S 6/2004 Senda
D492,195 S 6/2004 Shabaz
D502,181 S * 2/2005 Hong D14/436
D507,297 S 7/2005 Sasaki et al.
D507,677 S 7/2005 McLeish
D508,872 S * 8/2005 Hoepfner D11/216
D527,129 S * 8/2006 Hodgson D26/42
D545,026 S 6/2007 Martin et al.
D556,763 S * 12/2007 Hsiau D14/436
D559,256 S * 1/2008 Gilbert D14/436
D573,038 S 7/2008 Picken
D573,997 S * 7/2008 Kim D14/436
D582,417 S * 12/2008 Sheba D14/217
D588,471 S 3/2009 Fluegel et al.
D589,342 S 3/2009 Maslowski
D589,531 S * 3/2009 Fullerton D14/496
D592,646 S 5/2009 Sun et al.
D601,152 S * 9/2009 Moshes D14/480.7
D607,922 S * 1/2010 Sato D17/22
D611,385 S * 3/2010 Yair D11/200
D612,385 S 3/2010 Aoki

D621,718 S 8/2010 Mehdizadeh
D626,063 S 10/2010 Cutter et al.
D626,551 S * 11/2010 Julien D14/341
D631,058 S * 1/2011 Chin D14/480.7
D635,972 S * 4/2011 Miyazawa D14/341
D638,423 S * 5/2011 Anderson D14/356
D647,096 S * 10/2011 Tung D14/436
D650,408 S 12/2011 Kim et al.
D654,853 S * 2/2012 Bacon D13/103
D659,902 S 5/2012 Mehdizadeh
D666,201 S * 8/2012 Gallagher D14/435
D667,339 S 9/2012 Bailey et al.
D672,667 S 12/2012 Mix
D675,198 S 1/2013 Andre et al.
D676,075 S 2/2013 Ku
8,367,130 B1 2/2013 Tsengas
D680,123 S * 4/2013 Benois D14/480.5
D680,124 S * 4/2013 Benois D14/436
D682,196 S 5/2013 Leung
D684,873 S 6/2013 Steinich et al.
D690,307 S 9/2013 Huang
D693,086 S 11/2013 Rana
D693,296 S 11/2013 Lin et al.
8,616,373 B2 12/2013 Hansen et al.
D697,066 S 1/2014 Chung et al.
D697,473 S * 1/2014 Guccione D13/108
D702,134 S 4/2014 Hjalmarsson
D702,693 S * 4/2014 Gallagher D14/436
D704,134 S * 5/2014 Cullen D13/103
D705,107 S * 5/2014 Corso D10/106.1
D709,054 S * 7/2014 McConnell D14/243
D709,895 S 7/2014 Son
D710,824 S 8/2014 Mackiewicz et al.
D718,381 S 11/2014 Itabashi et al.
D723,532 S 3/2015 Stevinson
D723,533 S 3/2015 Stevinson
D724,599 S * 3/2015 Lin D14/480.1
D729,090 S 5/2015 Phillips et al.
D732,011 S 6/2015 Stevinson
D736,295 S * 8/2015 Katori D16/203
D736,308 S 8/2015 Han
D738,752 S 9/2015 Edgar
D739,385 S 9/2015 James et al.
D743,561 S * 11/2015 Maisch D24/186
D745,514 S 12/2015 Jung et al.
D752,594 S 3/2016 Matsuoka
D755,785 S * 5/2016 Sirolich D14/341
9,351,526 B1 * 5/2016 Taylor A44B 11/12
D759,004 S 6/2016 Stevinson
D759,031 S * 6/2016 Ozolins D14/480.5
D759,826 S 6/2016 Martinez et al.
D763,107 S 8/2016 Nielsen et al.
D764,273 S 8/2016 Klag et al.
D775,114 S * 12/2016 Khalili D14/250
D777,727 S 1/2017 Maicon et al.
D787,508 S * 5/2017 Takiguchi D14/341
D795,260 S 8/2017 Schlossberg et al.
D798,738 S 10/2017 Tilahun et al.
D800,887 S 10/2017 Patton
D801,170 S 10/2017 Wu
D802,600 S * 11/2017 Roberts D14/480.1
D804,610 S 12/2017 Rubio et al.
D805,502 S 12/2017 Zhuang
D808,289 S * 1/2018 Kim D10/104.1
D808,335 S * 1/2018 Corander D13/107
D809,335 S 2/2018 Bouveret
D811,465 S 2/2018 Nokuo
D813,234 S * 3/2018 Nadler D14/388
D820,897 S 6/2018 Rusz et al.
D821,224 S 6/2018 Mecker et al.
D823,239 S 7/2018 Gupta et al.
D829,212 S 9/2018 Bidwell et al.
D831,090 S 10/2018 Ahman et al.
D832,783 S * 11/2018 Leabman D13/108
D832,906 S 11/2018 Hasegawa et al.
D834,633 S 11/2018 Carlson
D835,533 S 12/2018 Zheng
D844,428 S 4/2019 Stadelmaier et al.
D845,957 S 4/2019 Guzie et al.

(56)

References Cited

U.S. PATENT DOCUMENTS

D847,816 S * 5/2019 Dentamaro D14/432
 D853,470 S * 7/2019 Ridinger D17/20
 D855,813 S 8/2019 Hu
 D860,857 S * 9/2019 Taylor D11/216
 D862,248 S 10/2019 Arendt et al.
 D865,029 S 10/2019 Fook
 D868,007 S * 11/2019 Wild D13/167
 D871,328 S 12/2019 Yang
 2005/0258023 A1 11/2005 Nagai et al.
 2009/0135246 A1 * 5/2009 Uchiyama G01C 3/18
 348/42
 2009/0173036 A1 * 7/2009 Hand E04B 2/96
 52/715
 2011/0069151 A1 3/2011 Orimoto
 2013/0060398 A1 * 3/2013 Sip G06F 13/4095
 700/297
 2014/0290469 A1 * 10/2014 Michaud G10H 1/0091
 84/741
 2015/0042798 A1 * 2/2015 Takeda H04N 5/2252
 348/148
 2015/0158435 A1 6/2015 Ohsumi

2016/0167595 A1 6/2016 Kang et al.
 2018/0188022 A1 7/2018 Leikert
 2018/0222408 A1 8/2018 Shigyo et al.
 2018/0255658 A1 9/2018 Kaneko et al.
 2018/0343439 A1 * 11/2018 Furutake H04N 5/2258
 2019/0033579 A1 * 1/2019 Ohsumi G02B 27/0006
 2019/0104244 A1 4/2019 Kobayashi et al.
 2019/0320159 A1 * 10/2019 Ishii H04N 5/2252

OTHER PUBLICATIONS

U.S. Appl. No. 29/663,978, filed Sep. 20, 2018.
 U.S. Appl. No. 29/663,995, filed Sep. 20, 2018.
 United States Non-final Office Action issued in U.S. Appl. No. 29/663,978, dated Dec. 31, 2019 (12 pages).
 “Hitachi Automotive Systems stereo camera adopted in Suzuki’s Every light commercial vehicle and Every Wagon light passenger,” published online on Jun. 24, 2019, <http://www.hitachi.com/New/cnews/month/2019/06/190624.html>, retrieved on Dec. 19, 2019 (two (2) pages).
 United States Ex parte Quayle Office Action issued in U.S. Appl. No. 29/663,995, dated Jan. 27, 2020 (15 pages).

* cited by examiner

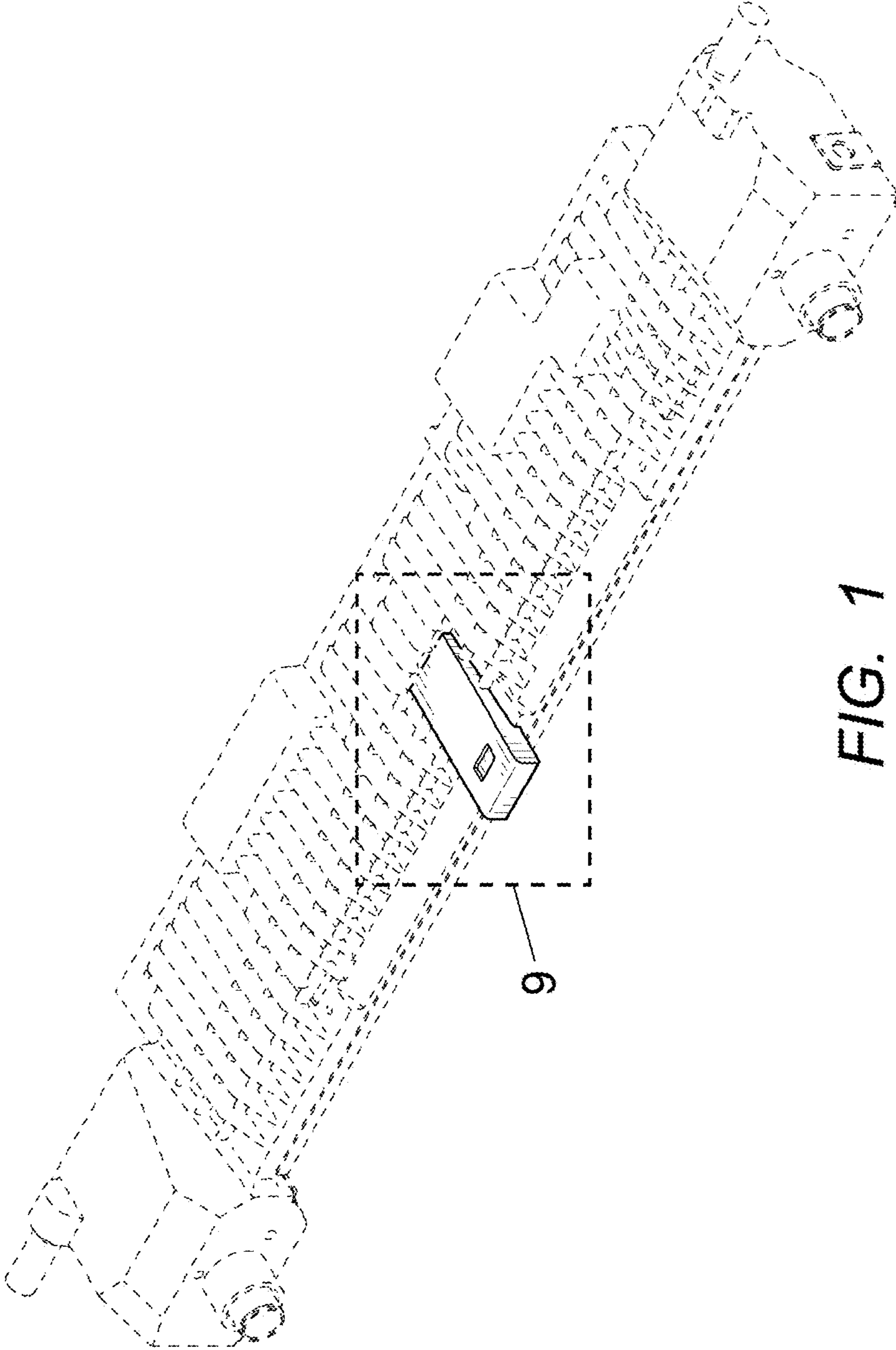


FIG. 1

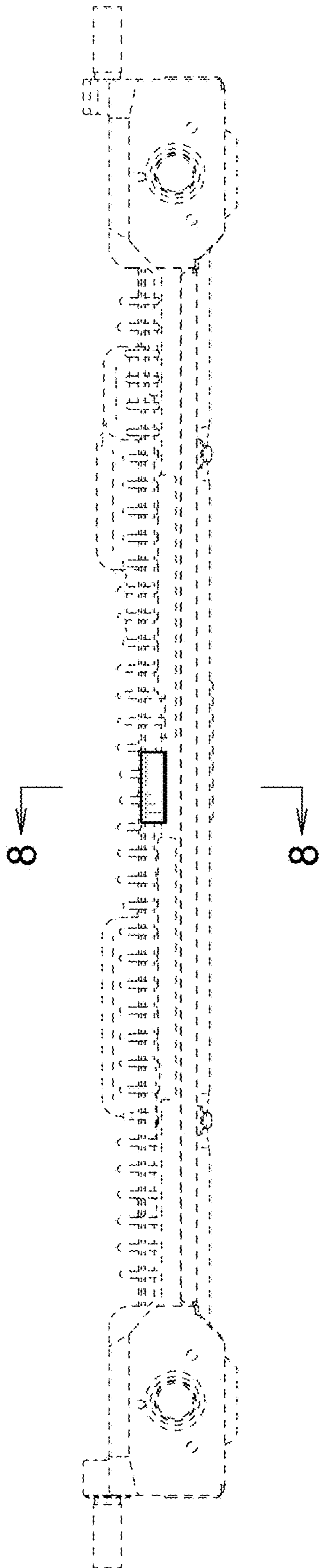


FIG. 2



FIG. 3

FIG. 4

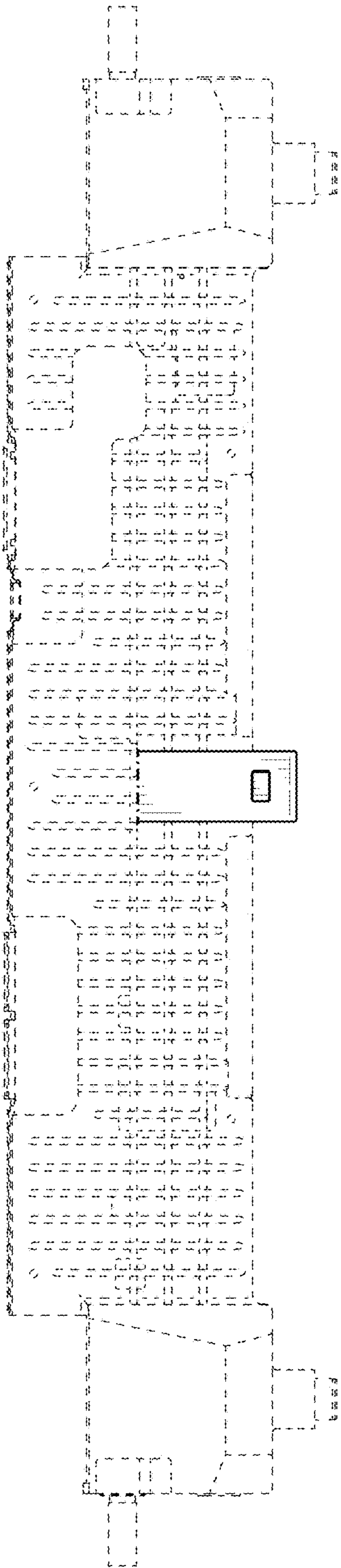


FIG. 5

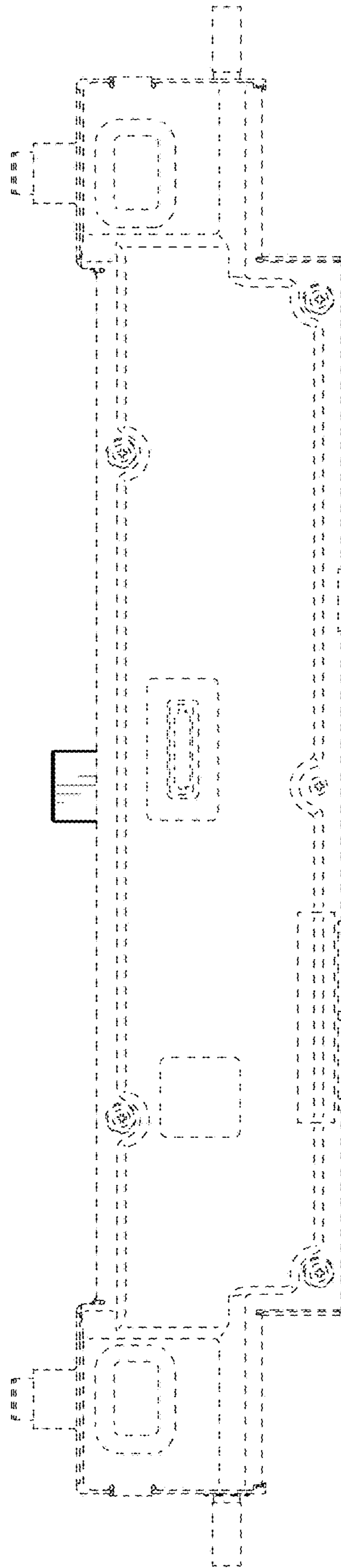


FIG. 6

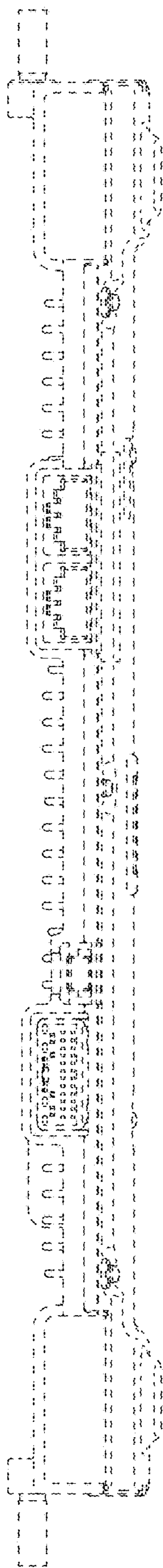


FIG. 7

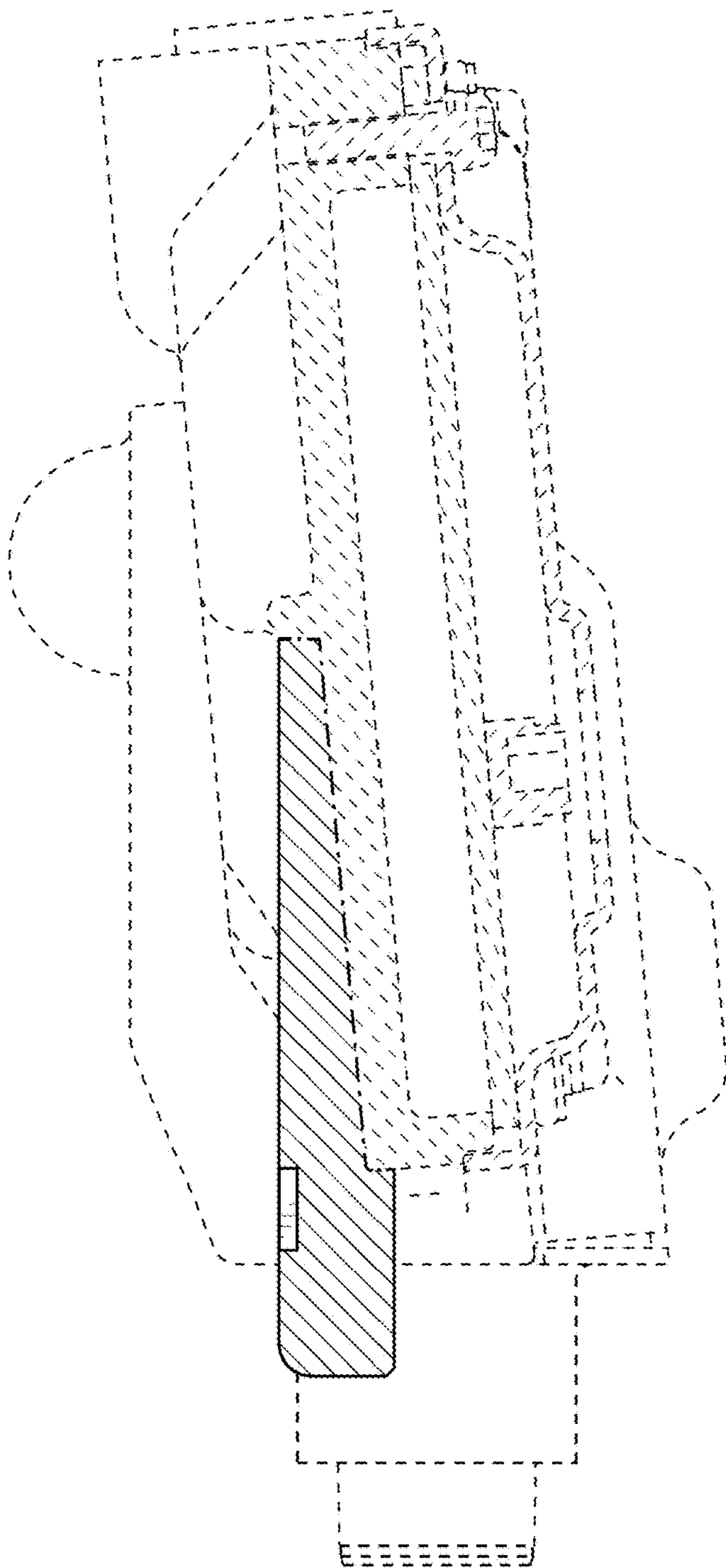


FIG. 8

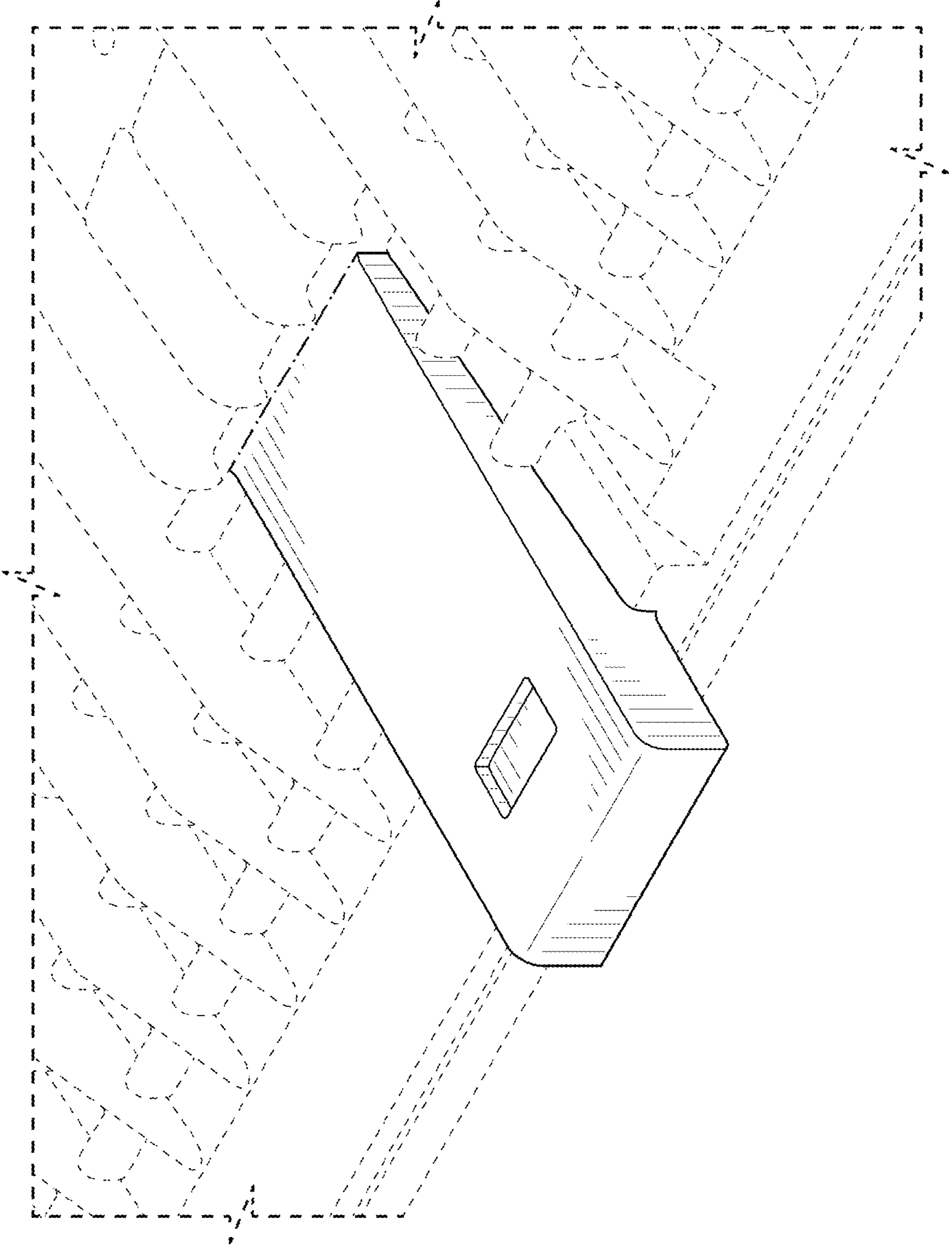


FIG. 9