



US00D883363S

(12) **United States Design Patent**
Wu

(10) **Patent No.:** **US D883,363 S**
(45) **Date of Patent:** **** May 5, 2020**

(54) **VIDEO RECORDER**

(71) Applicant: **Xilai Wu**, Shenzhen (CN)

(72) Inventor: **Xilai Wu**, Shenzhen (CN)

(**) Term: **15 Years**

(21) Appl. No.: **29/715,675**

(22) Filed: **Dec. 4, 2019**

(51) **LOC (12) Cl.** **16-01**

(52) **U.S. Cl.**

USPC **D16/218**

(58) **Field of Classification Search**

USPC D16/200, 202–206, 208, 211, 214, 218,
D16/219, 237, 242, 244; D14/130, 132,
D14/144; D10/104.1, 104.2, 106.1,
D10/106.2, 106.5; 348/164, 347,
348/373–376; 396/535, 539–541;
250/330, 332

CPC G03B 15/00; G03B 15/03; G03B 17/02;
G03B 17/04; G03B 17/56; G03B 19/04;
H04N 5/2251; H04N 5/2252; H04N
5/2253; H04N 5/2254; H04N 2101/00;
F16M 11/04; F16M 13/00

See application file for complete search history.

(56) **References Cited**

U.S. PATENT DOCUMENTS

D694,802 S * 12/2013 Coyle D16/237
D790,000 S * 6/2017 Wang D16/200
D795,946 S * 8/2017 Kim D16/206

D808,455 S 1/2018 Lee
D810,171 S * 2/2018 Kim D16/206
D810,806 S * 2/2018 Kim D16/206
D813,924 S * 3/2018 Zheng D16/203
D814,545 S * 4/2018 Kim D16/206
D815,180 S * 4/2018 Kim D16/206
D816,150 S * 4/2018 Liao D16/242
D835,175 S * 12/2018 Kim D16/237
D836,699 S * 12/2018 Kim D16/206
D848,508 S 5/2019 Hsu
D860,290 S 9/2019 Lee
D874,532 S * 2/2020 Chen D16/202
D875,155 S * 2/2020 Jeong D16/202

* cited by examiner

Primary Examiner — Ramzi S Almatrahi

(74) *Attorney, Agent, or Firm* — HYIP

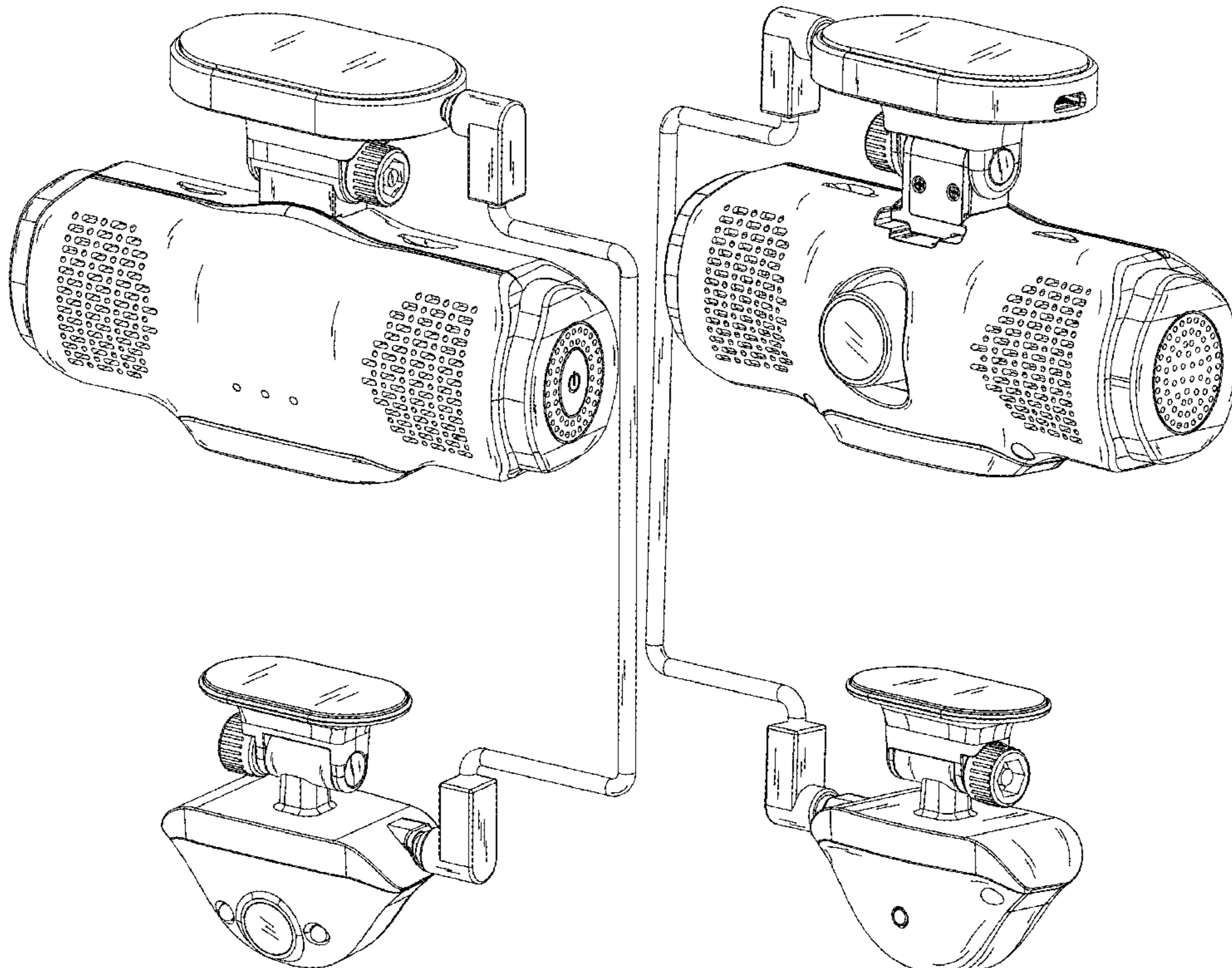
(57) **CLAIM**

The ornamental design for a video recorder, as shown and described.

DESCRIPTION

FIG. 1 is a front perspective view of a video recorder showing my new design;
FIG. 2 is a back perspective view thereof;
FIG. 3 is a front view thereof;
FIG. 4 is a back view thereof;
FIG. 5 is a left side view thereof;
FIG. 6 is a right side view thereof;
FIG. 7 is a top view thereof; and,
FIG. 8 is a bottom view thereof.

1 Claim, 8 Drawing Sheets



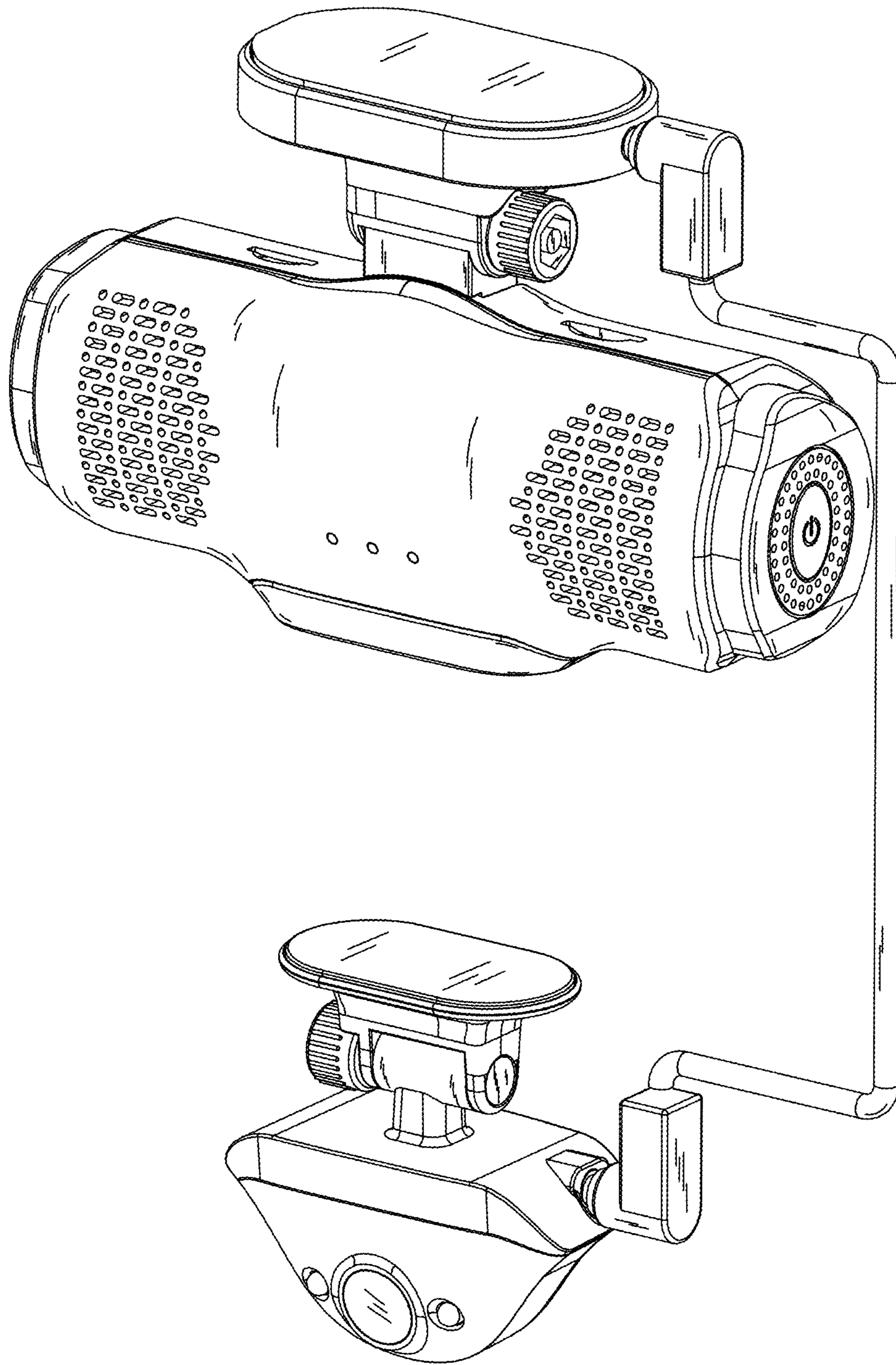


FIG. 1

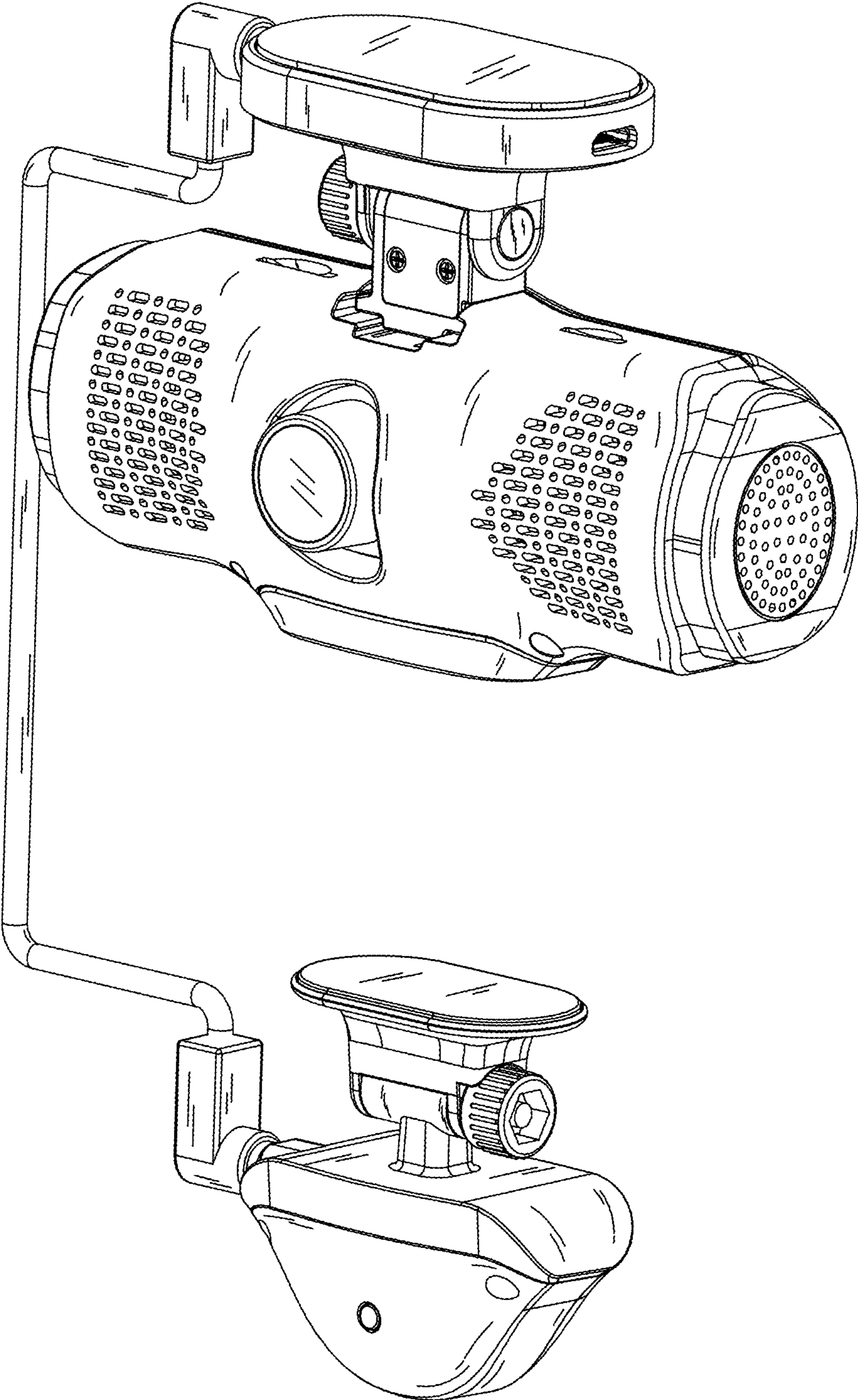


FIG. 2

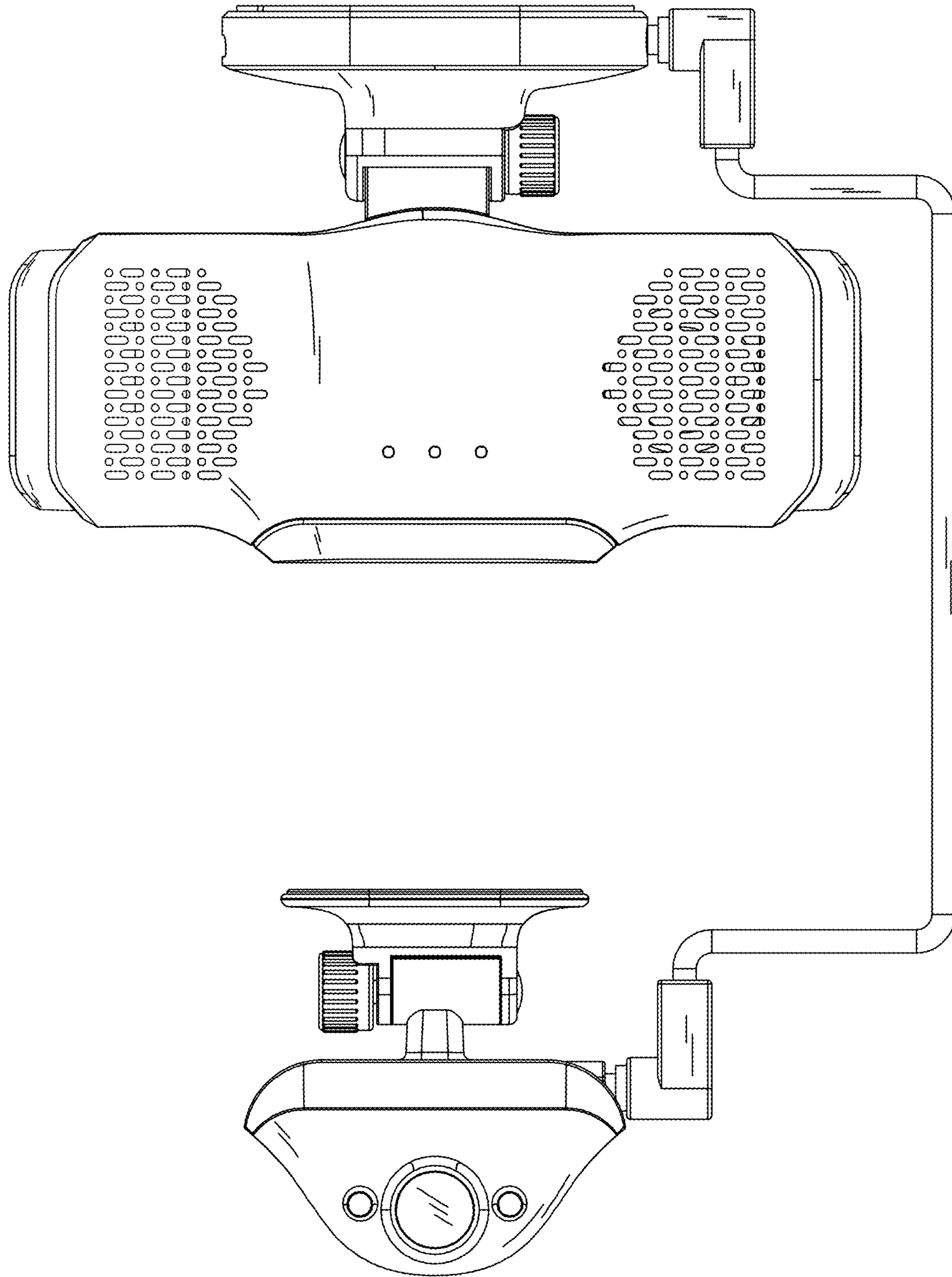


FIG. 3

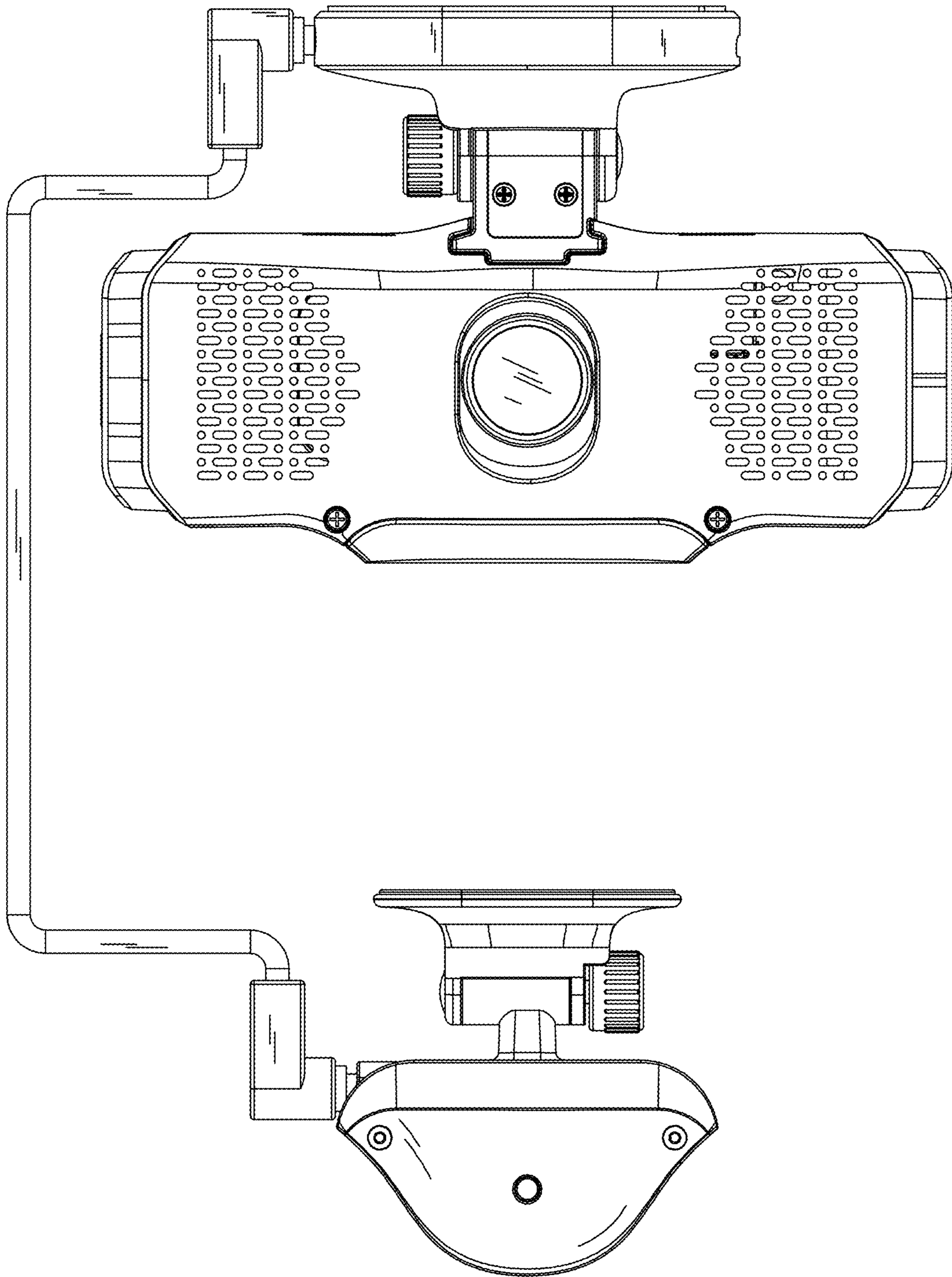


FIG. 4

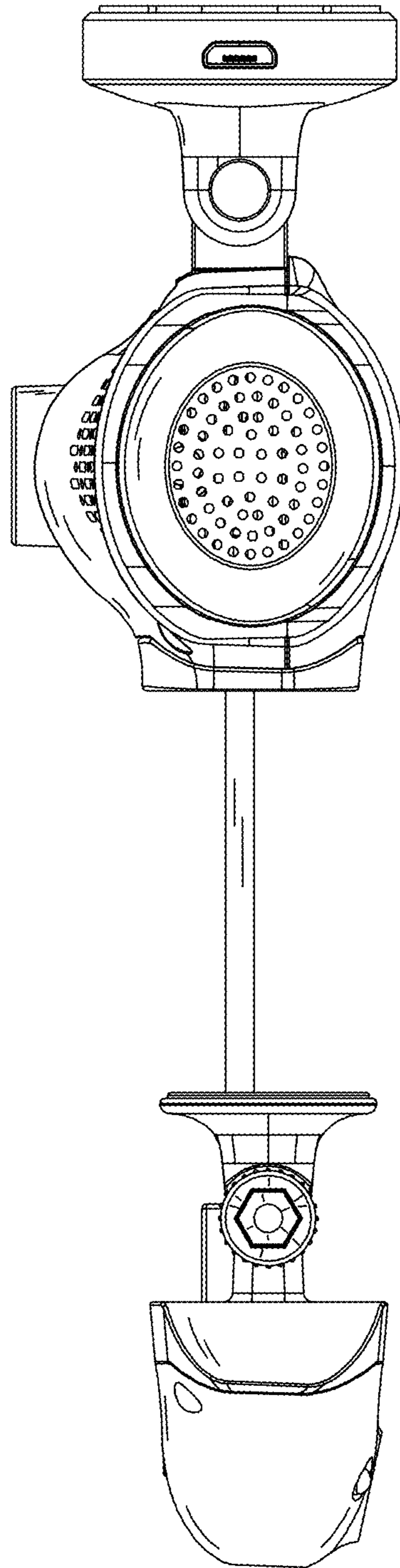


FIG. 5

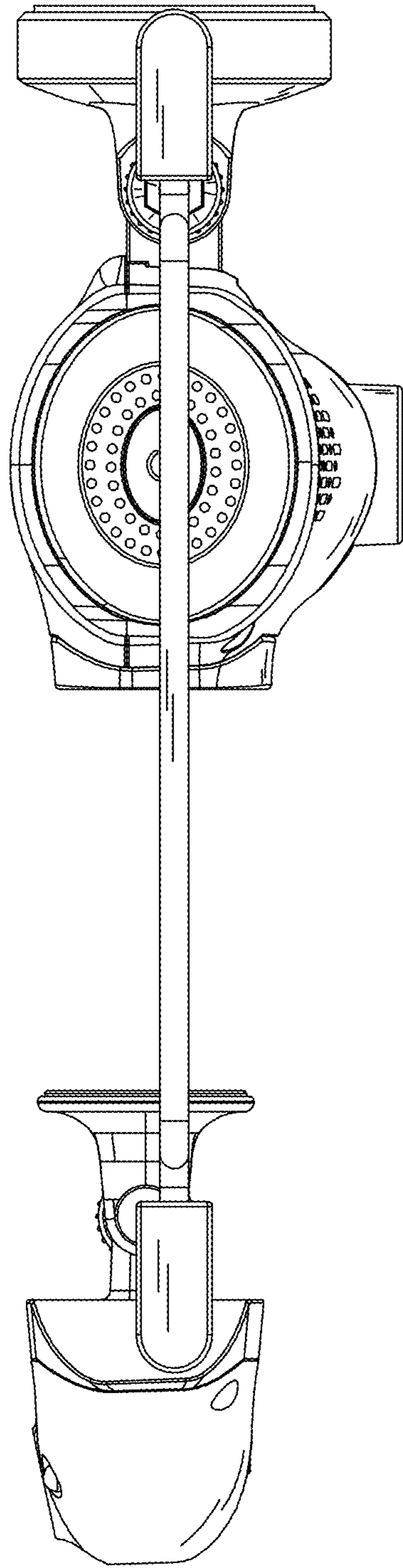


FIG. 6

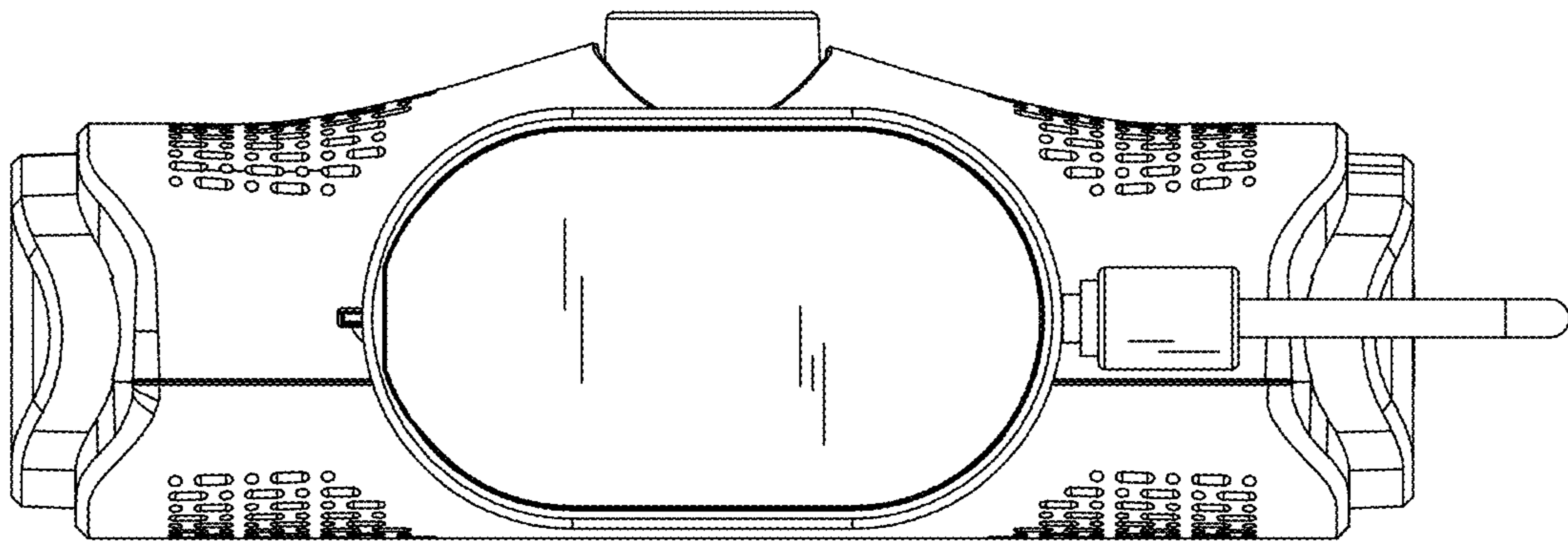


FIG. 7

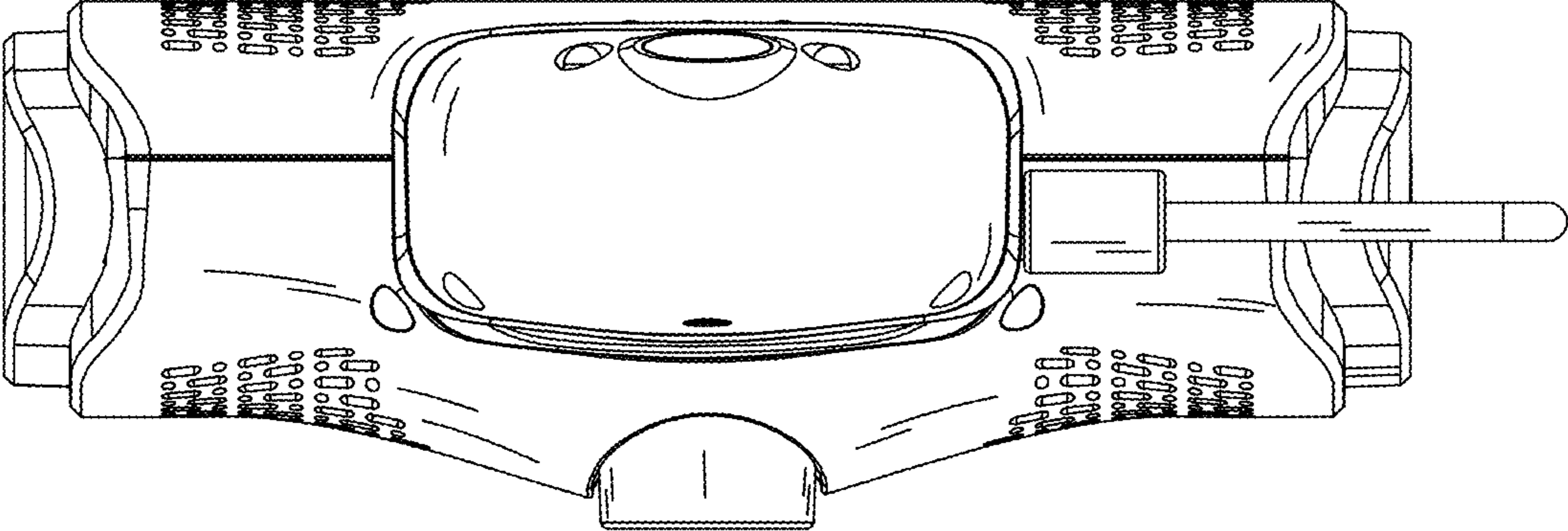


FIG. 8