



US00D883362S

(12) **United States Design Patent**
Lee

(10) **Patent No.:** **US D883,362 S**

(45) **Date of Patent:** **** May 5, 2020**

(54) **VIDEO RECORDER FOR VEHICLE**

(71) Applicant: **THINKWARE CORPORATION,**
Gyeonggi-Do (KR)

(72) Inventor: **Yong Lee,** Seoul (KR)

(73) Assignee: **THINKWARE CORPORATION,**
Gyeonggi-Do (KR)

(**) Term: **15 Years**

(21) Appl. No.: **29/644,736**

(22) Filed: **Apr. 20, 2018**

(30) **Foreign Application Priority Data**

Jan. 4, 2018 (KR) 30-2018-0000528

(51) **LOC (12) Cl.** **16-01**

(52) **U.S. Cl.**
USPC **D16/208; D16/203**

(58) **Field of Classification Search**
USPC D16/200, 202–208, 218, 219, 242;
348/143, 148, 151, 164, 373–376;
396/419, 427, 535, 539–541
CPC G03B 17/02; G03B 19/04; G03B 17/56;
G03B 17/04; G03B 15/03; H04N 5/2251;
H04N 5/2252; H04N 5/2253; H04N
5/2254; H04N 7/181; H04N 7/183; H04N
7/18; G08B 13/1963; G08B 13/19619;
G08B 13/19632; F16M 11/04; F16M
13/00

See application file for complete search history.

(56) **References Cited**

U.S. PATENT DOCUMENTS

D509,234 S * 9/2005 Muto D16/203
D514,150 S * 1/2006 Muto D16/203

D585,926 S * 2/2009 Su D16/203
D634,345 S * 3/2011 Kim D16/203
D634,347 S * 3/2011 Park D16/203
D637,640 S * 5/2011 Park D16/203
D643,453 S * 8/2011 Ham D16/203
D652,440 S * 1/2012 Davidson D16/203
D691,187 S * 10/2013 Seo D16/203
D702,274 S * 4/2014 Qian D16/203
D721,756 S * 1/2015 Hallstrom D16/203
D731,574 S * 6/2015 Hallstrom D16/203

* cited by examiner

Primary Examiner — Ramzi S Almatrahi

(74) *Attorney, Agent, or Firm* — Leber IP Law; David C. Robertson

(57) **CLAIM**

The ornamental design for a video recorder for vehicle, as shown and described.

DESCRIPTION

FIG. 1 is a perspective view of a video recorder for vehicle showing my new design;

FIG. 2 is a front elevational view thereof;

FIG. 3 is a rear elevational view thereof;

FIG. 4 is a left side elevational view thereof;

FIG. 5 is a right side elevational view thereof;

FIG. 6 is a top view thereof; and,

FIG. 7 is a bottom view thereof.

The broken lines depict portions of the video recorder for vehicle in which the design is embodied that form no part of the claimed design.

1 Claim, 7 Drawing Sheets

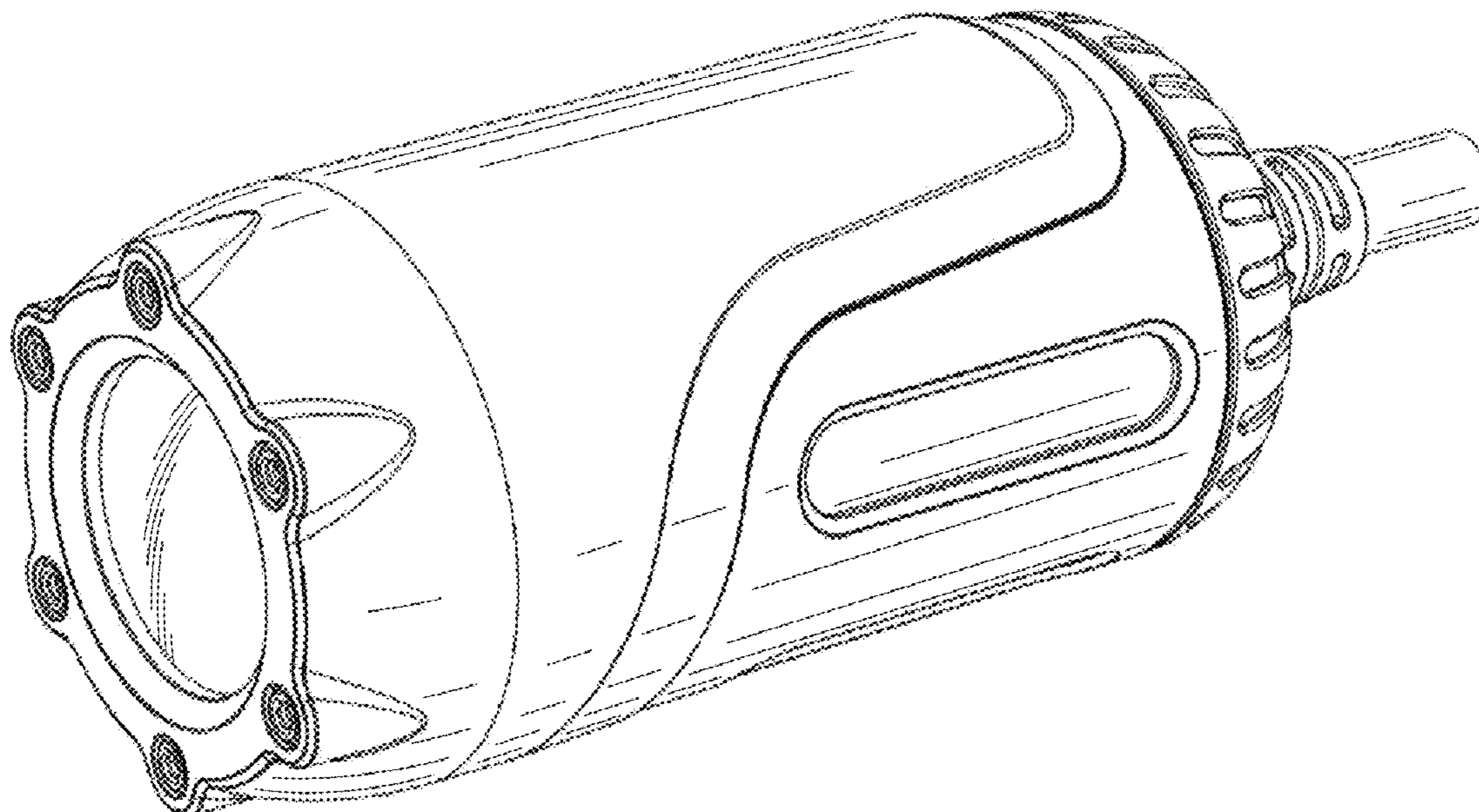


FIG. 1

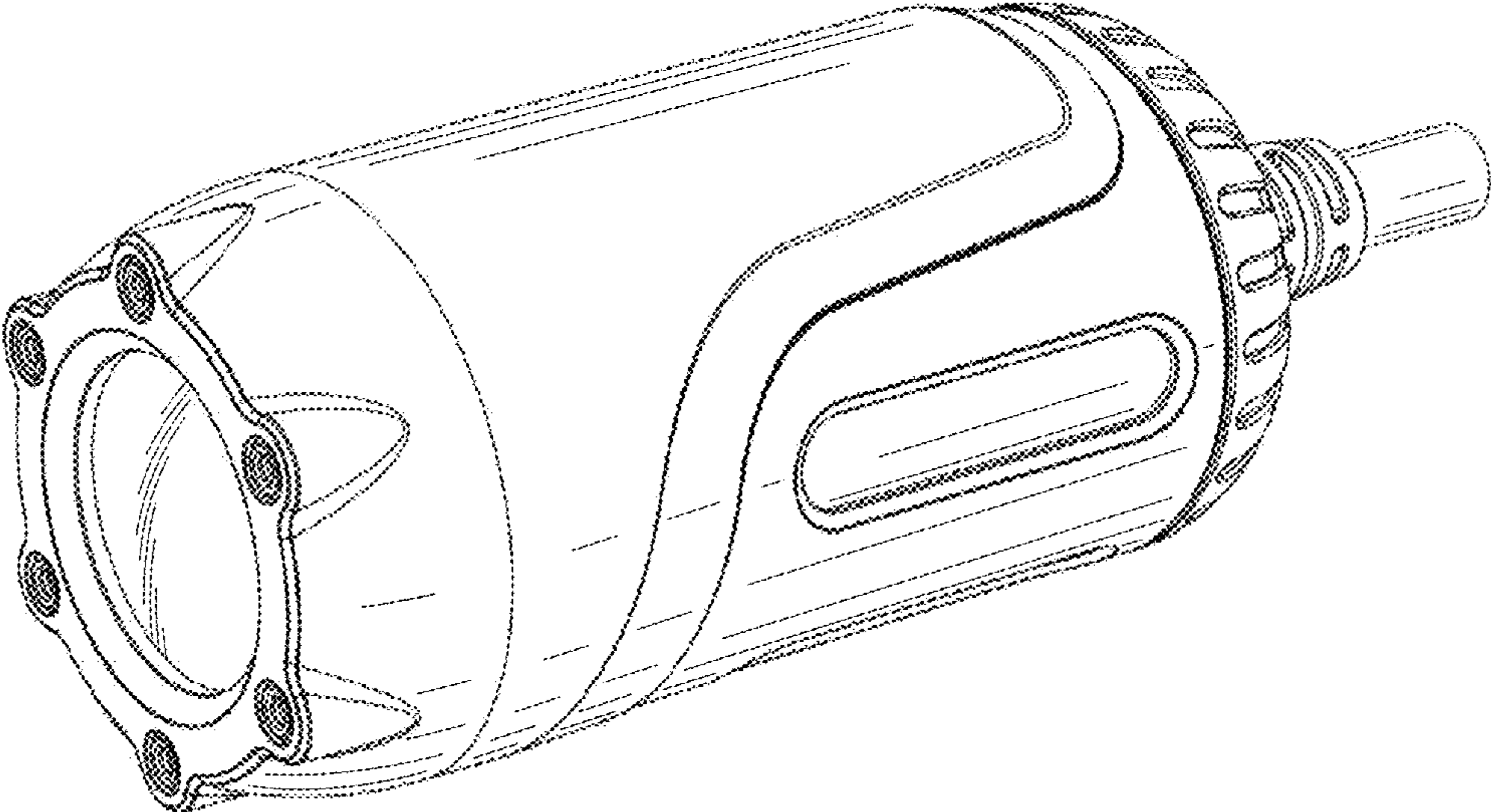


FIG. 2

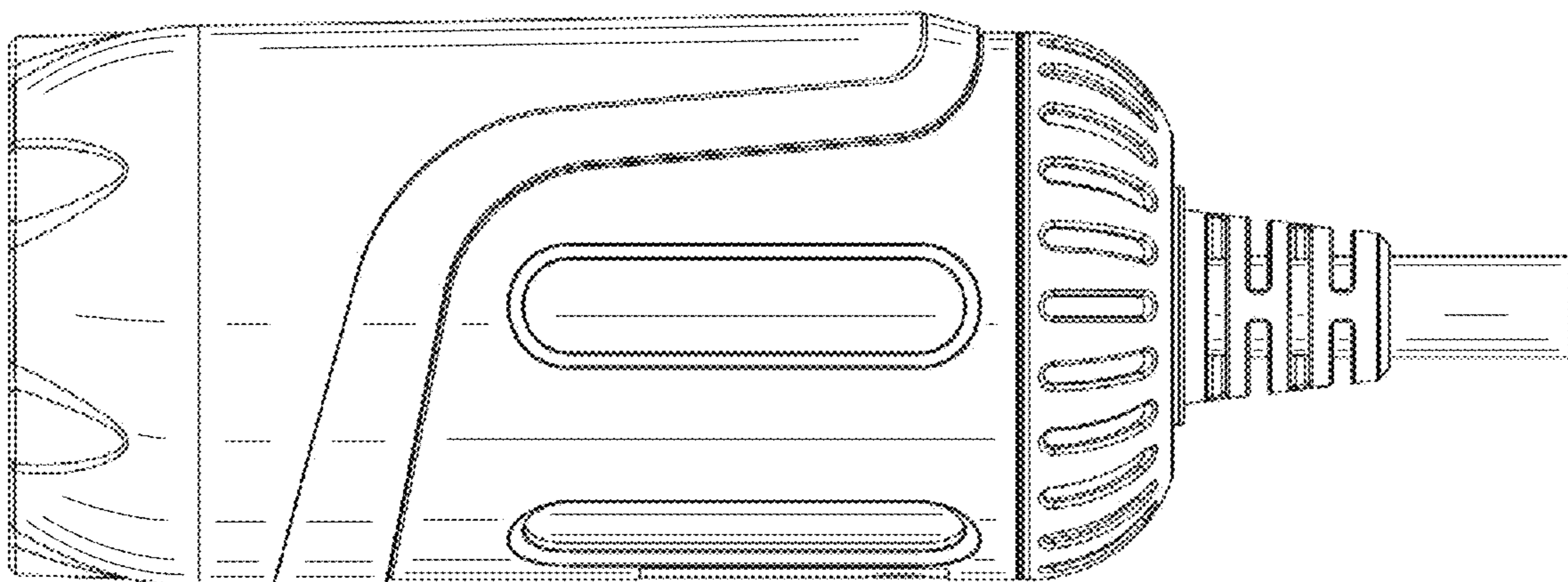


FIG. 3

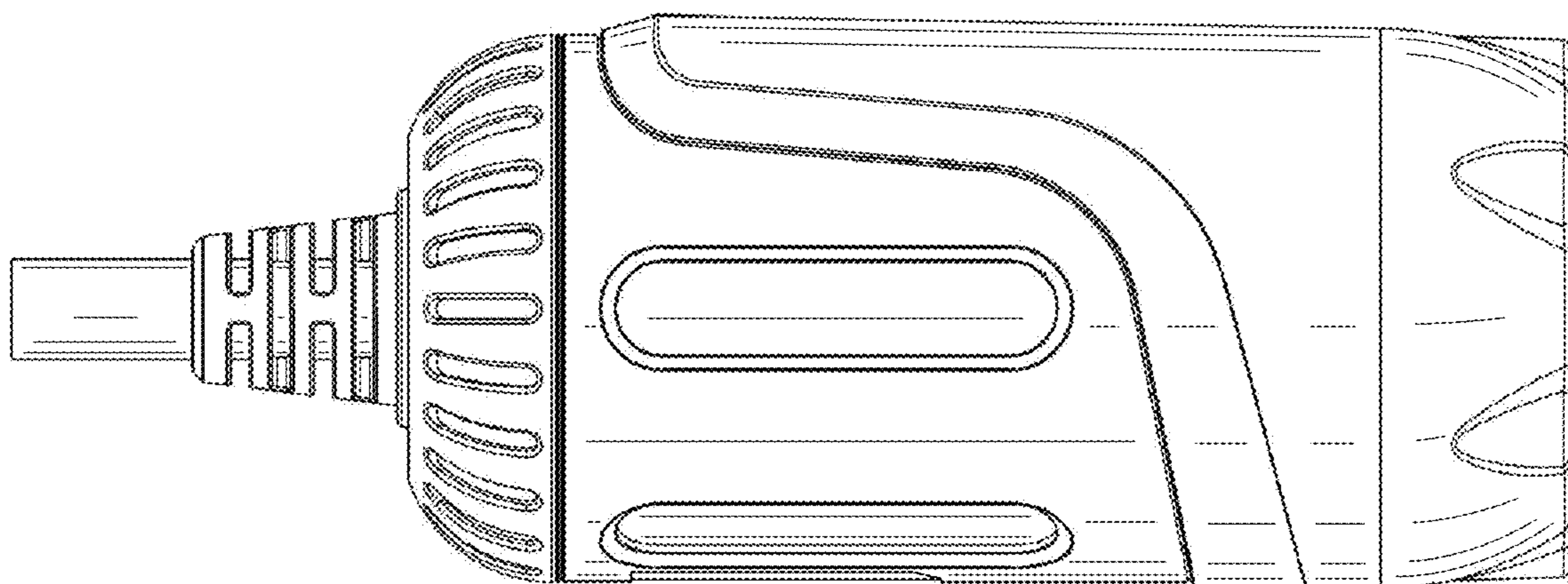


FIG. 4

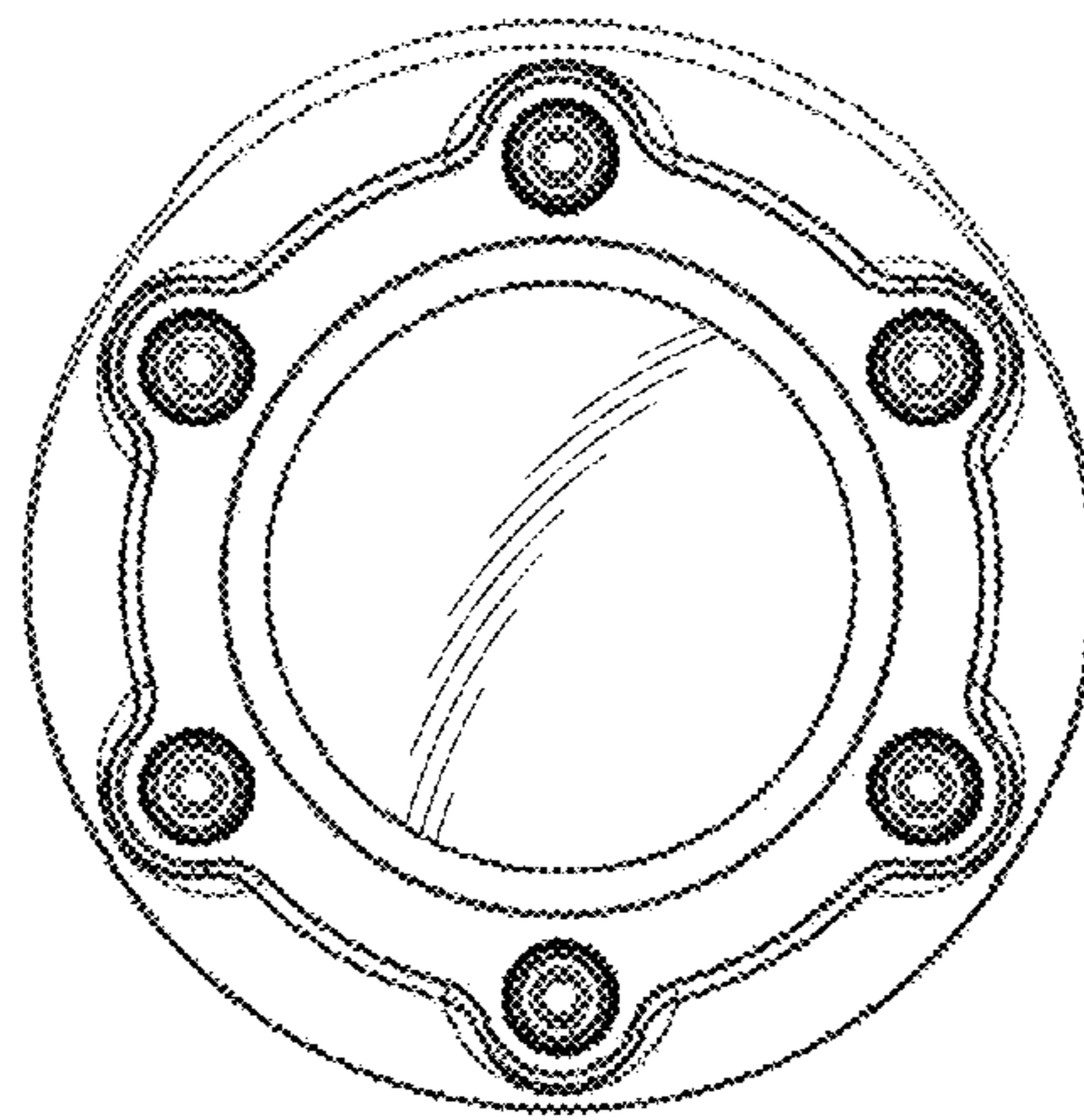


FIG. 5

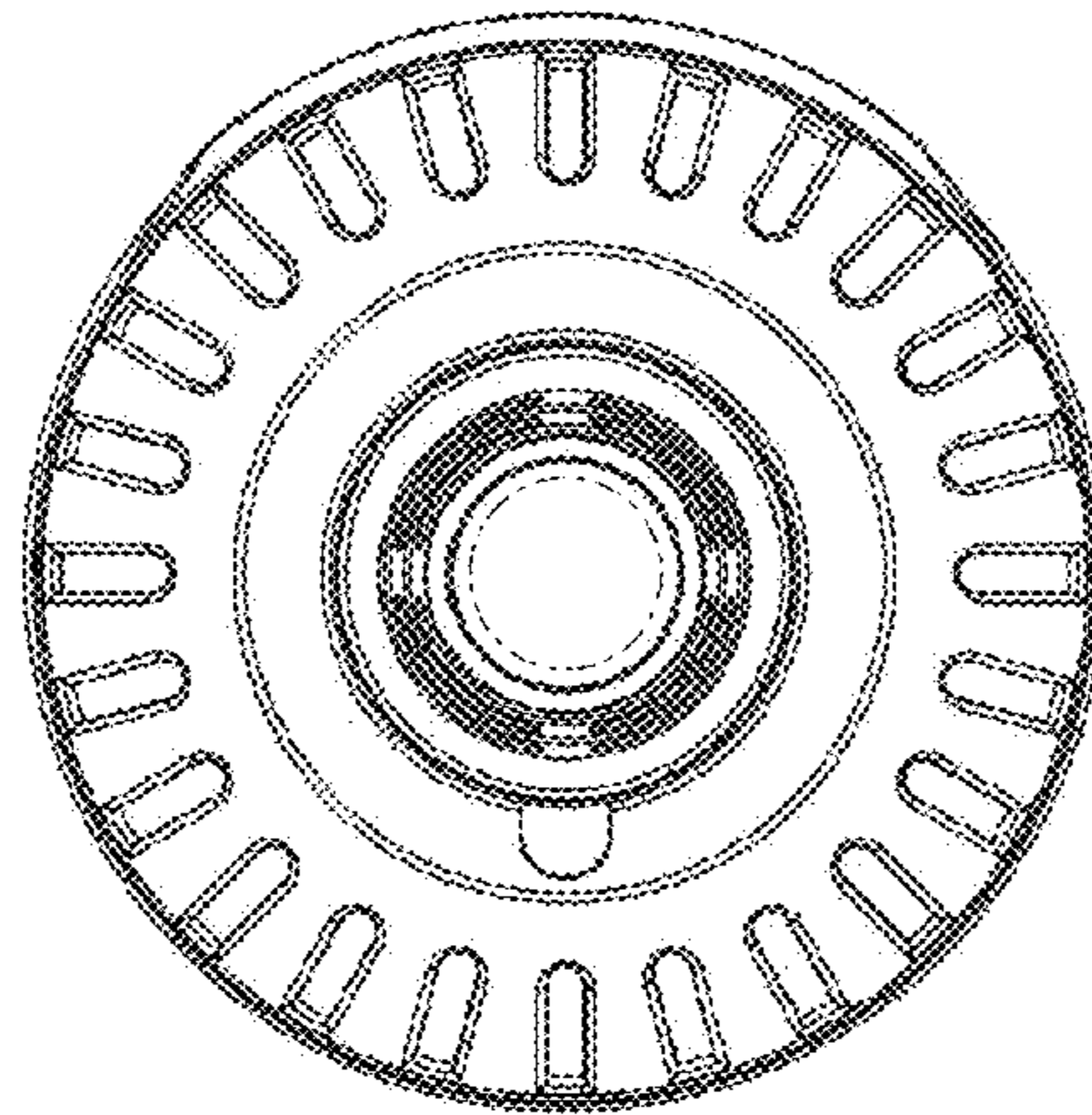


FIG. 6

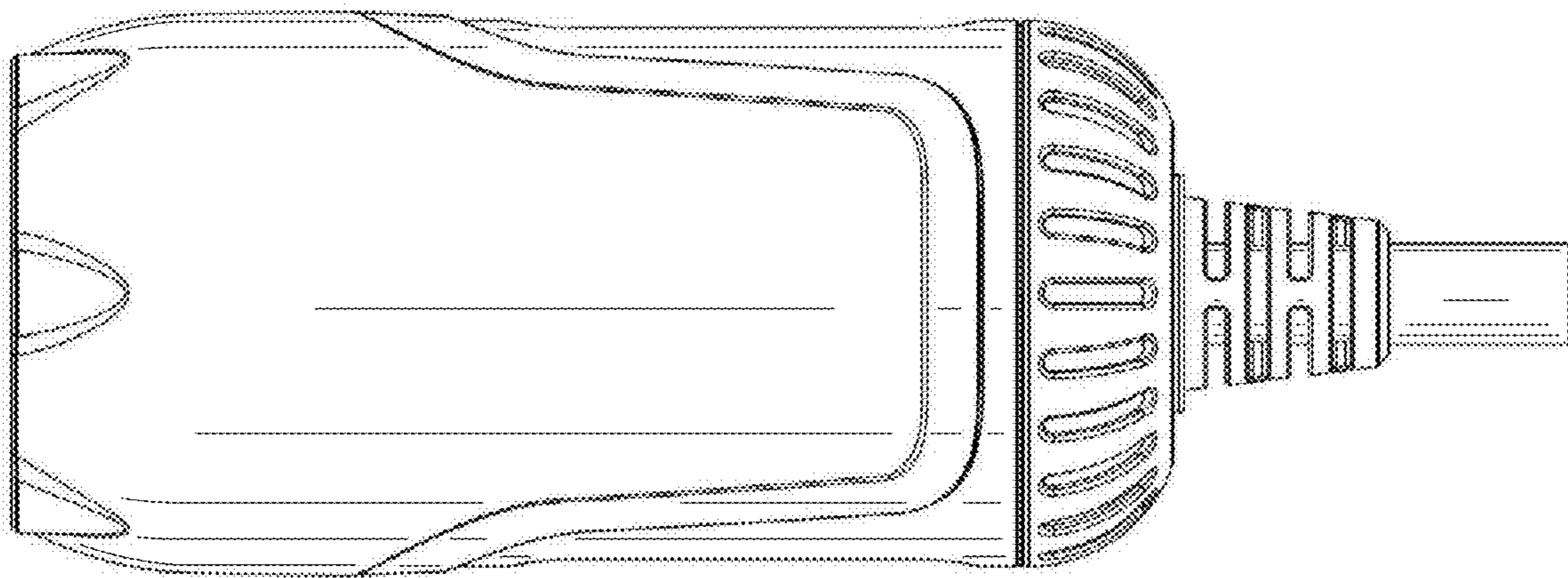


FIG. 7

