



US00D883361S

(12) **United States Design Patent**  
**Ren et al.**

(10) **Patent No.:** **US D883,361 S**  
(45) **Date of Patent:** **\*\* May 5, 2020**

- (54) **HUNTING CAMERA**
- (71) Applicant: **SHENZHEN FUXIN ELECTRONICS CO. LTD.**, Shenzhen (CN)
- (72) Inventors: **Yongchun Ren**, Shenzhen (CN); **Bolin Han**, Nanchong (CN)
- (73) Assignee: **SHENZHEN FUXIN ELECTRONICS CO., LTD.**, Shenzhen (CN)

(\*\*) Term: **15 Years**

(21) Appl. No.: **29/682,629**

(22) Filed: **Mar. 6, 2019**

(51) **LOC (12) Cl.** ..... **16-01**

(52) **U.S. Cl.**  
USPC ..... **D16/203**

(58) **Field of Classification Search**  
 USPC ..... D16/200, 202–206, 218, 219, 242;  
 348/143, 148, 151, 155, 164, 373–376;  
 396/419, 427, 535, 539–541  
 CPC ..... G03B 17/02; G03B 19/04; G03B 17/56;  
 G03B 17/04; G03B 15/03; H04N 5/2251;  
 H04N 5/2252; H04N 5/2253; H04N  
 5/2254; H04N 7/181; H04N 7/183; H04N  
 7/18; G08B 13/1963; G08B 13/19619;  
 G08B 13/19632; G08B 13/19602; G08B  
 13/19634; F16M 11/04; F16M 13/00  
 See application file for complete search history.

(56) **References Cited**

**U.S. PATENT DOCUMENTS**

- 7,471,334 B1 \* 12/2008 Stenger ..... G03B 29/00  
348/143
- 7,534,056 B2 \* 5/2009 Cross ..... F16M 11/10  
348/143

- D616,009 S \* 5/2010 Schnell ..... D16/218
- D628,224 S \* 11/2010 Barley ..... D16/203
- D653,276 S \* 1/2012 Schnell ..... D16/218
- D655,735 S \* 3/2012 Barley ..... D16/203
- D655,736 S \* 3/2012 Barley ..... D16/203
- D671,584 S \* 11/2012 Ohno ..... D16/202
- D673,991 S \* 1/2013 Schnell ..... D16/218
- D674,833 S \* 1/2013 Cuddeback ..... D16/203
- D691,647 S \* 10/2013 Ye ..... D16/203
- D721,116 S \* 1/2015 Schnell ..... D16/218
- D735,259 S \* 7/2015 Vermaak ..... D16/218

\* cited by examiner

*Primary Examiner* — Ramzi S Almatrahi

(74) *Attorney, Agent, or Firm* — Law Offices of Steven W. Weinrieb

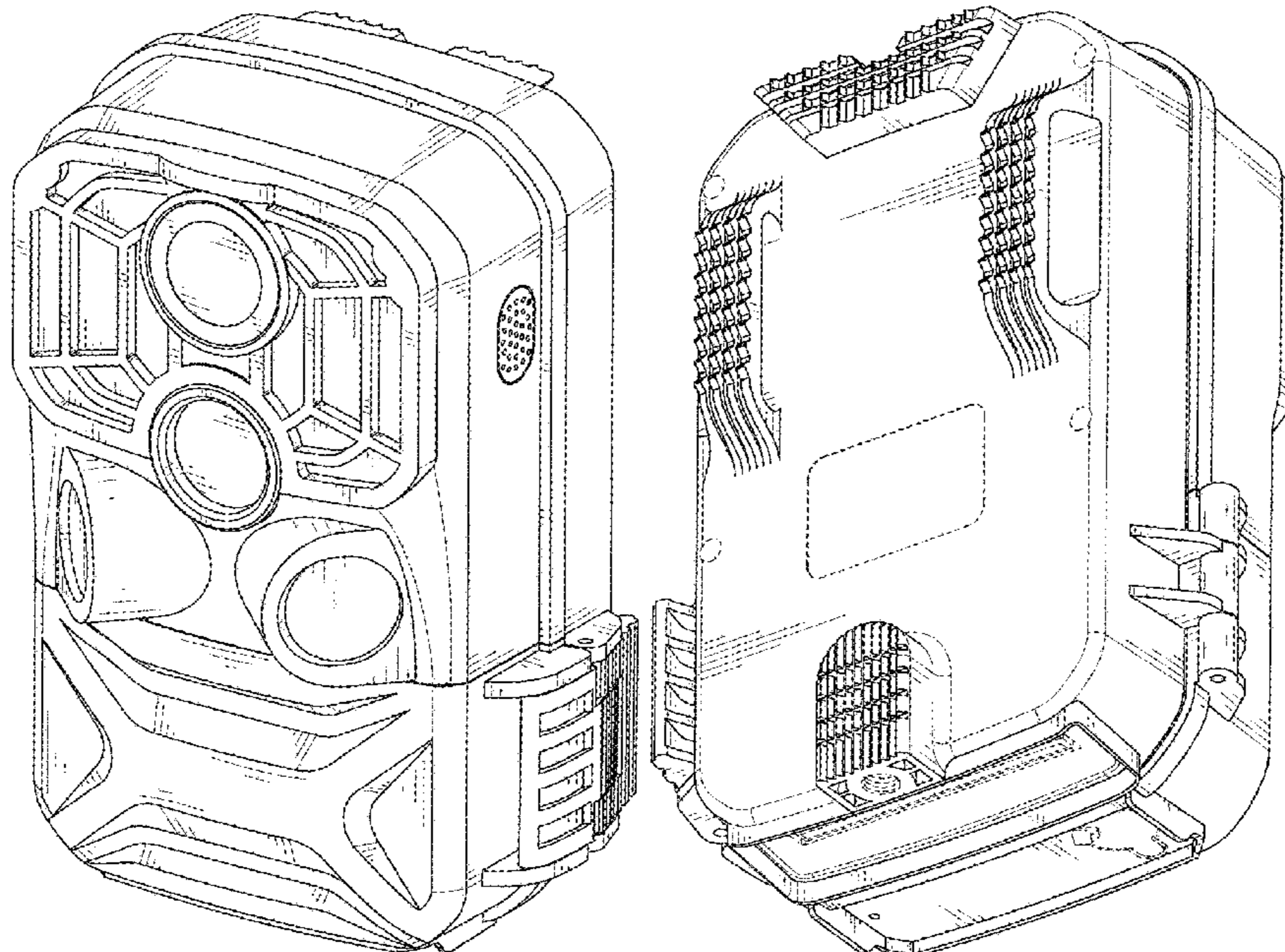
(57) **CLAIM**

The ornamental design for a hunting camera, as shown and described.

**DESCRIPTION**

FIG. 1 is a top, front and right side perspective view of a hunting camera showing my new design;  
 FIG. 2 is a bottom, rear and left side perspective view thereof;  
 FIG. 3 is a front elevational view thereof;  
 FIG. 4 is a rear elevational view thereof;  
 FIG. 5 is a left side elevational view thereof;  
 FIG. 6 is a right side elevational view thereof;  
 FIG. 7 is a top plan view thereof; and,  
 FIG. 8 is a bottom plan view thereof.  
 The broken lines depict portions of the hunting camera in which the design is embodied that form no part of the claimed design. The broken lines shown which are immediately adjacent to the shaded areas represent the bounds of the claimed design and form no part of the claimed design.

**1 Claim, 8 Drawing Sheets**





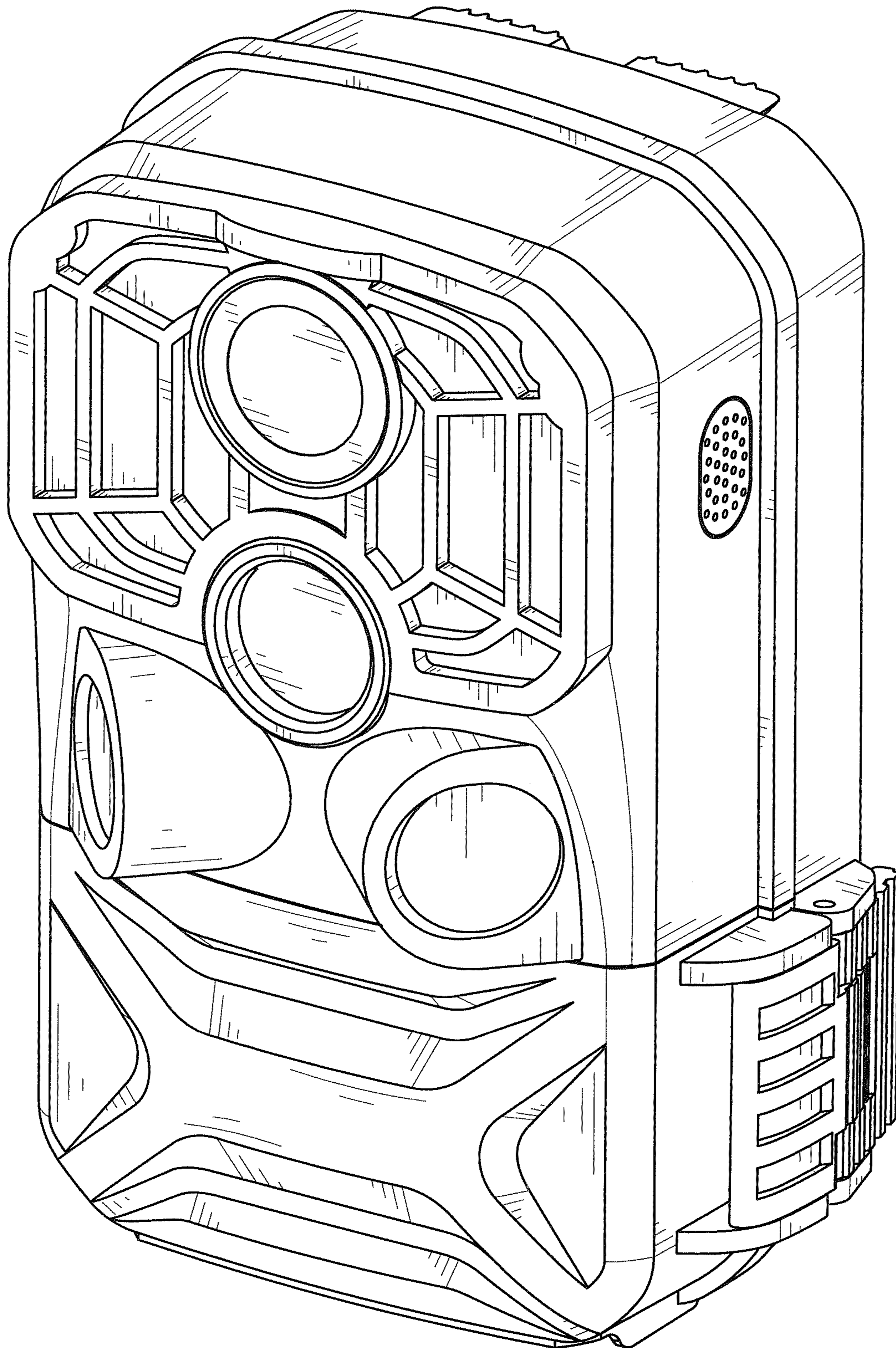


FIG. 1

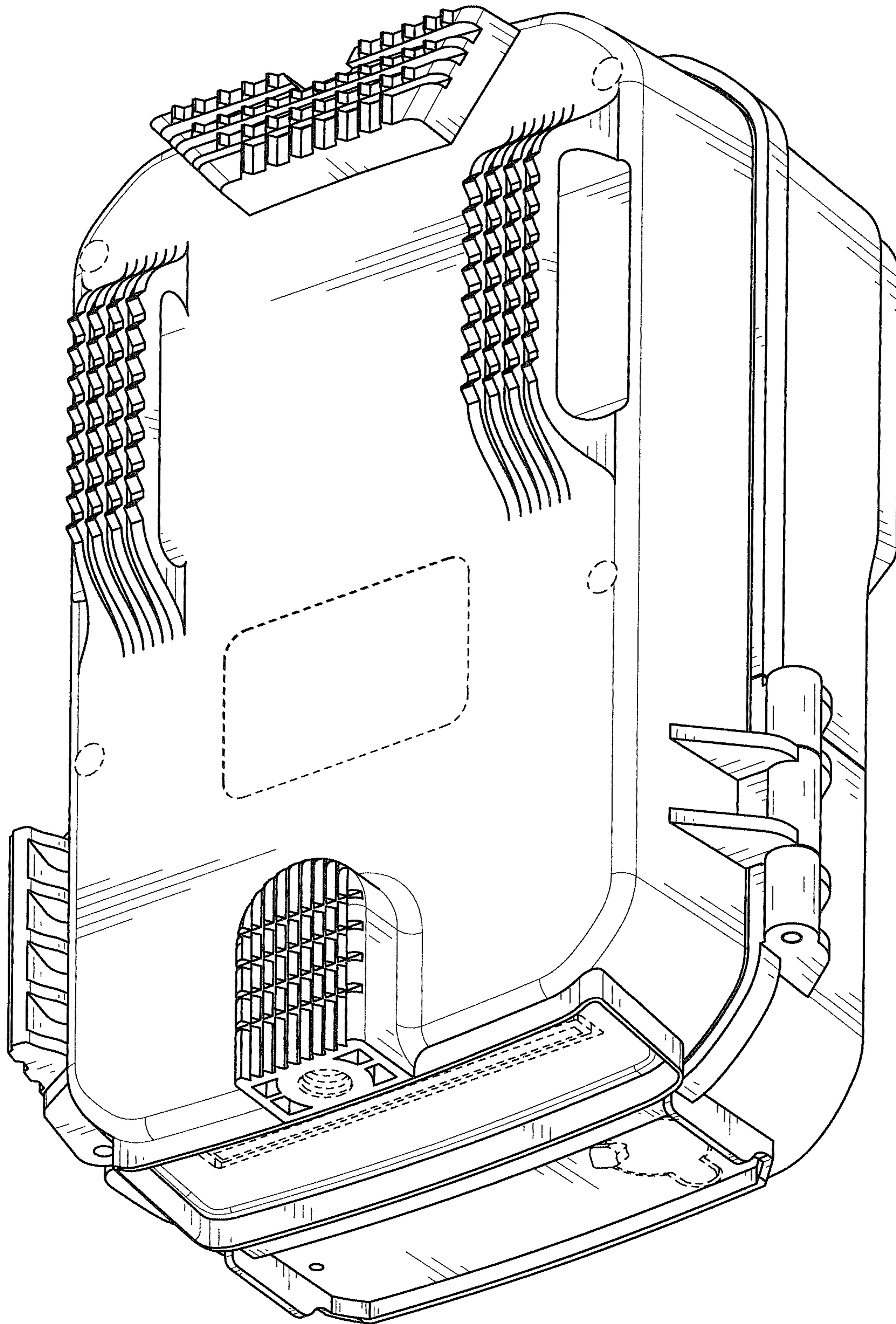


FIG. 2



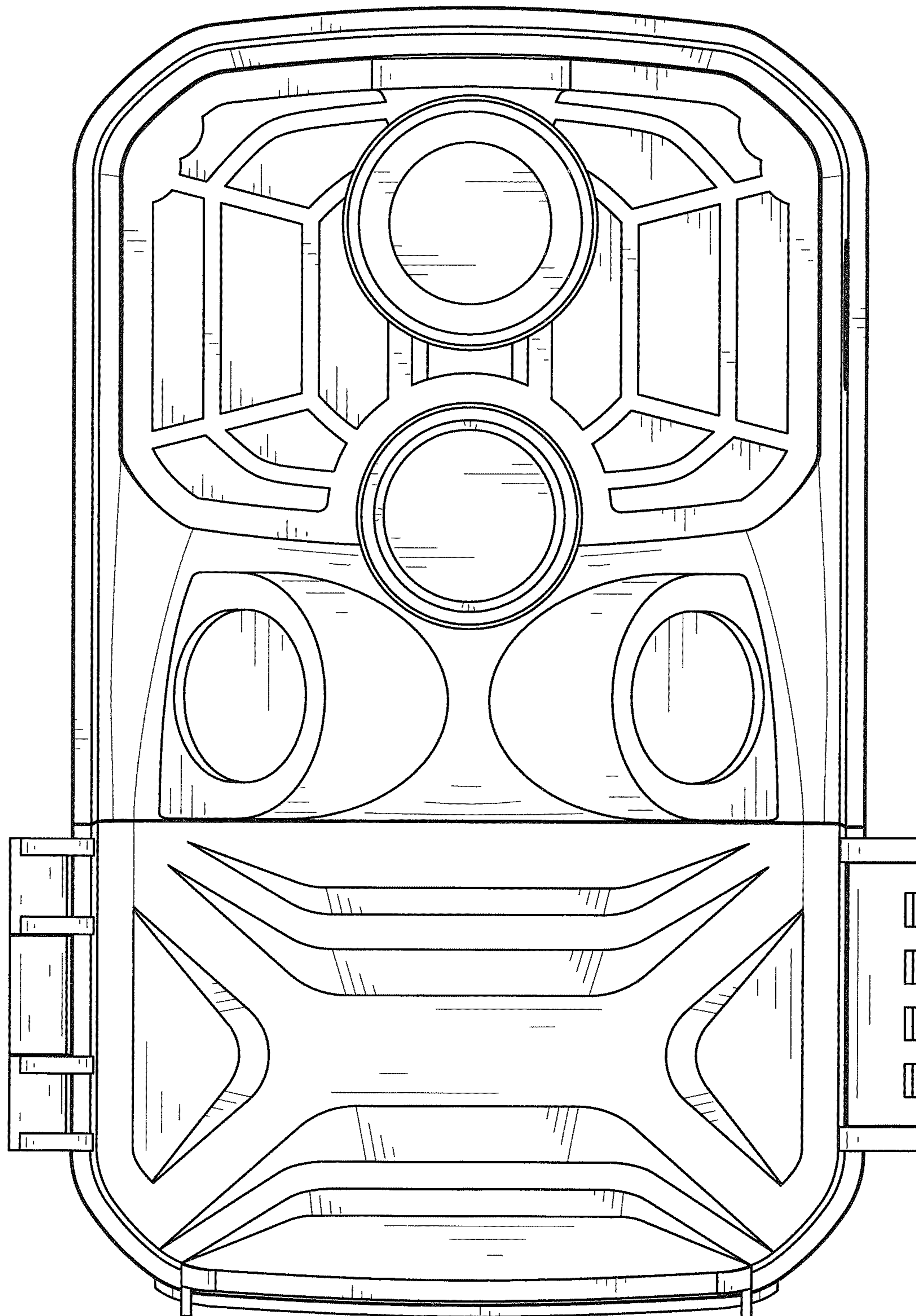


FIG. 3

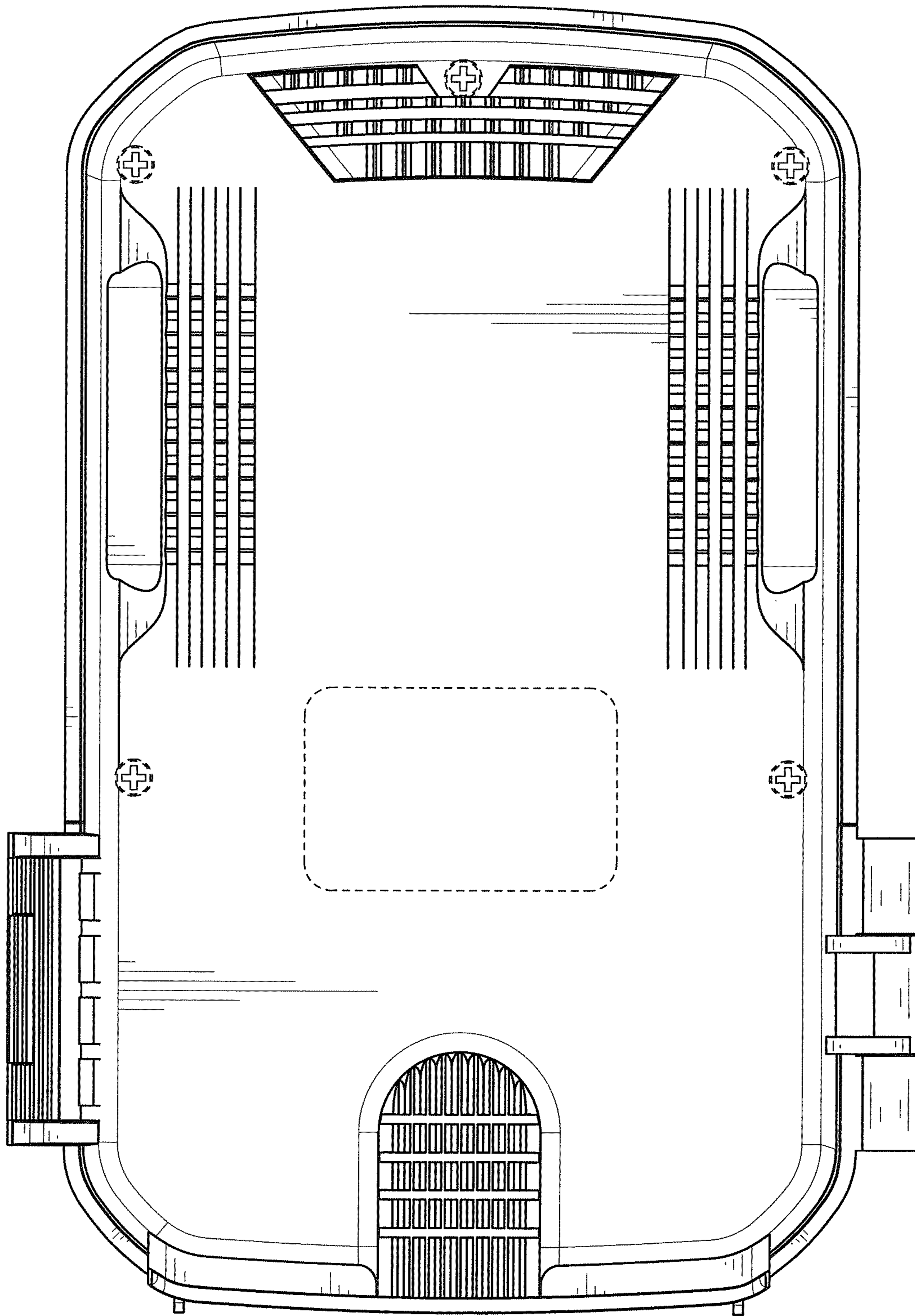


FIG. 4

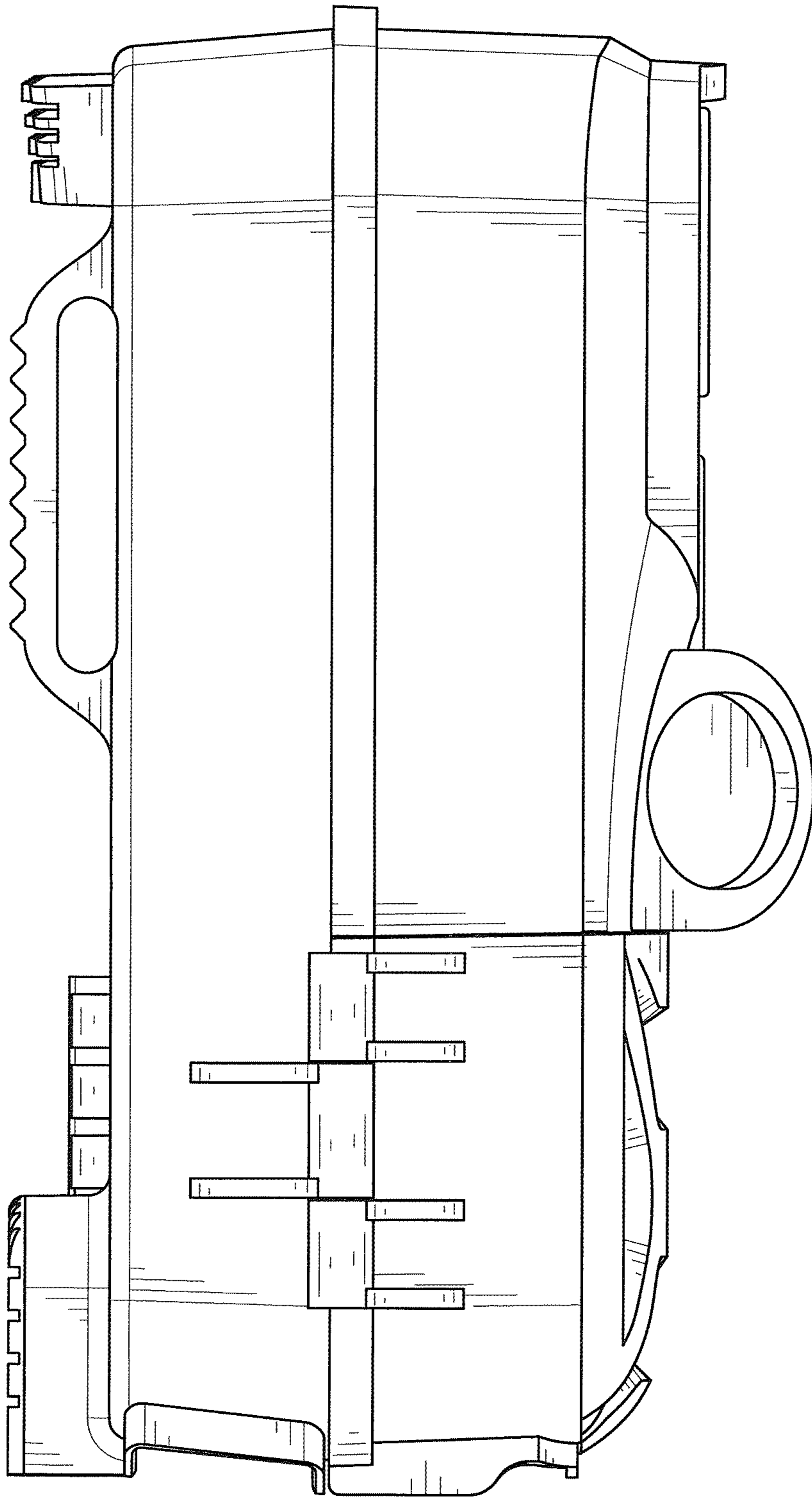


FIG. 5



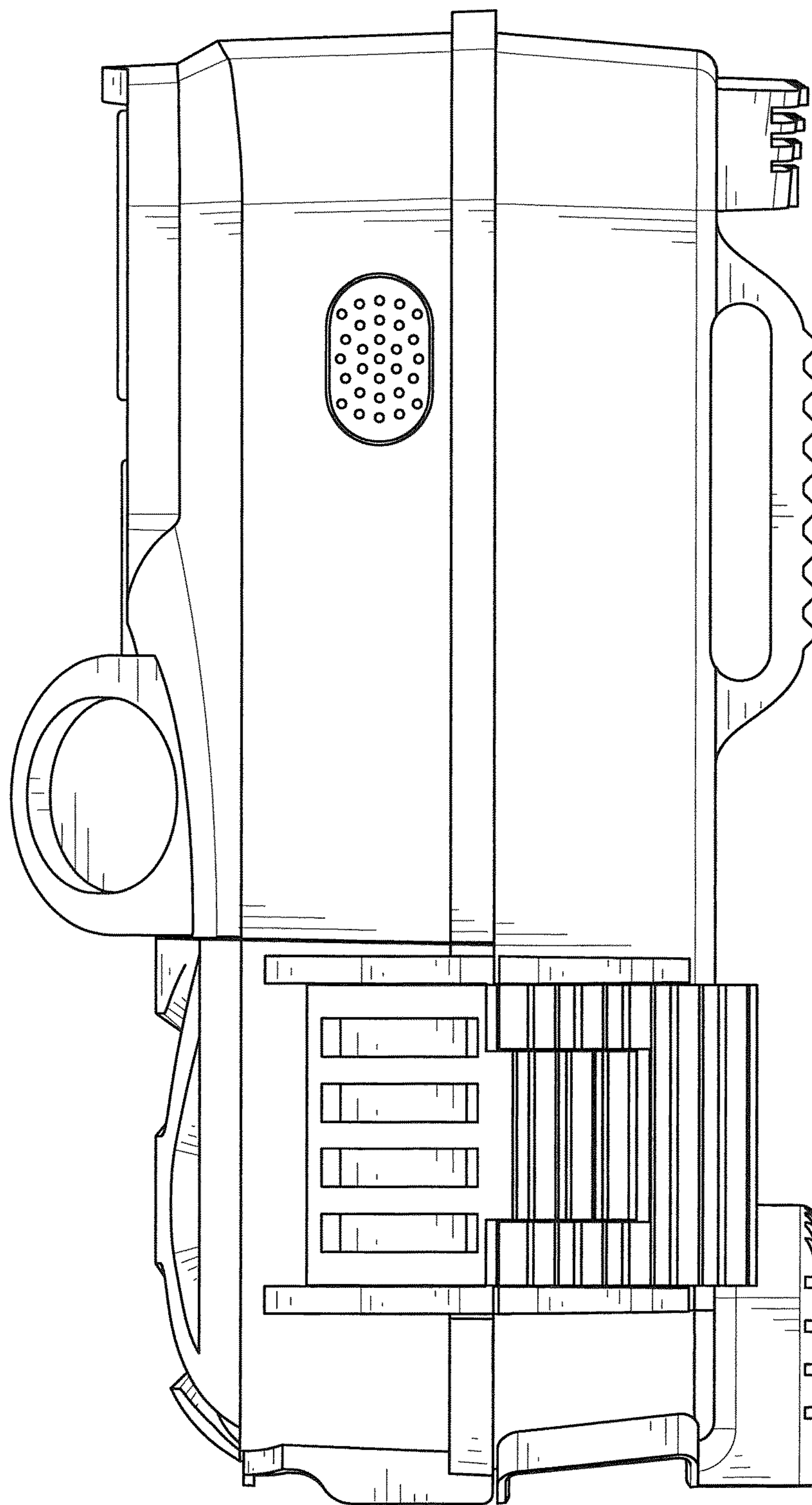


FIG. 6

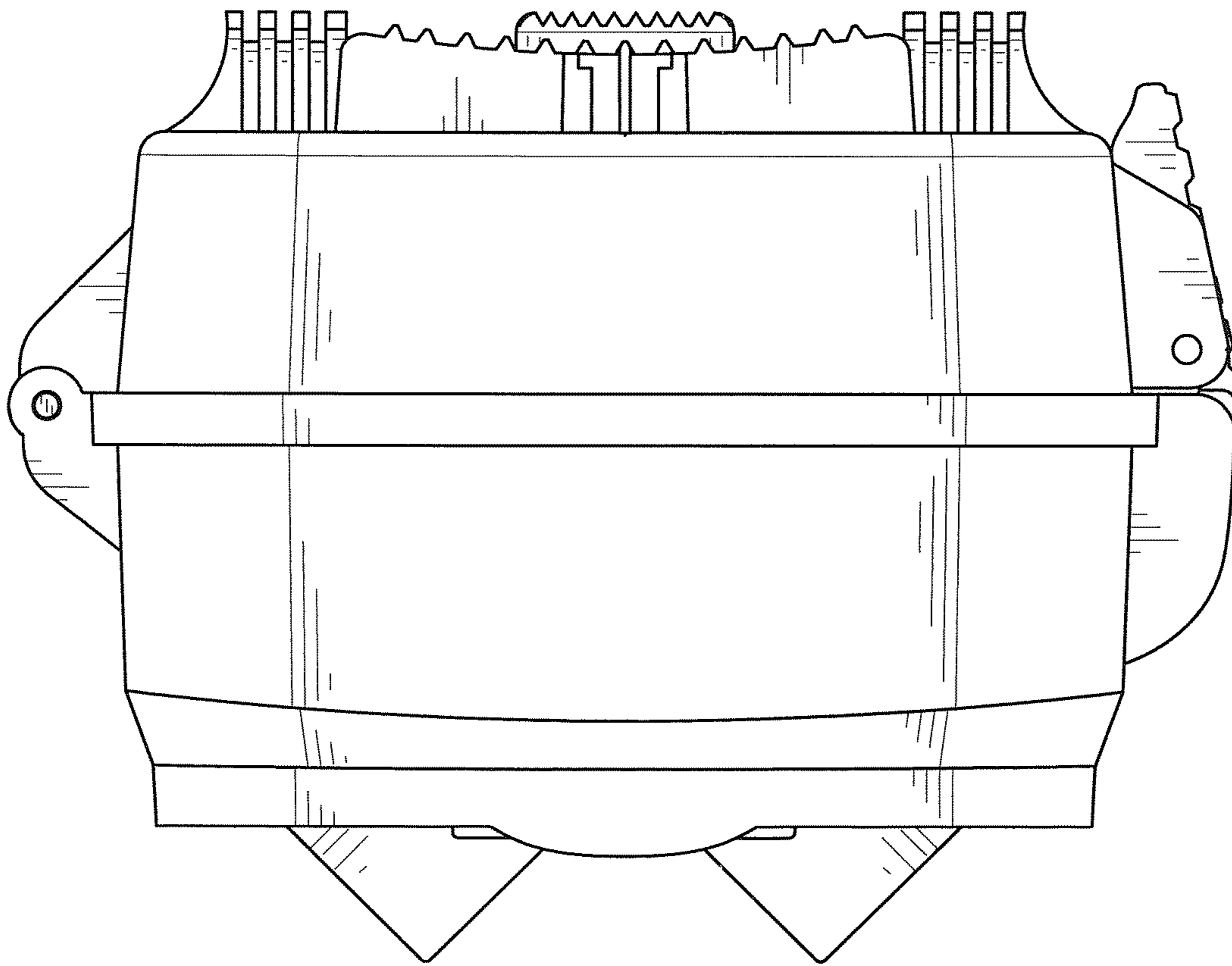


FIG. 7



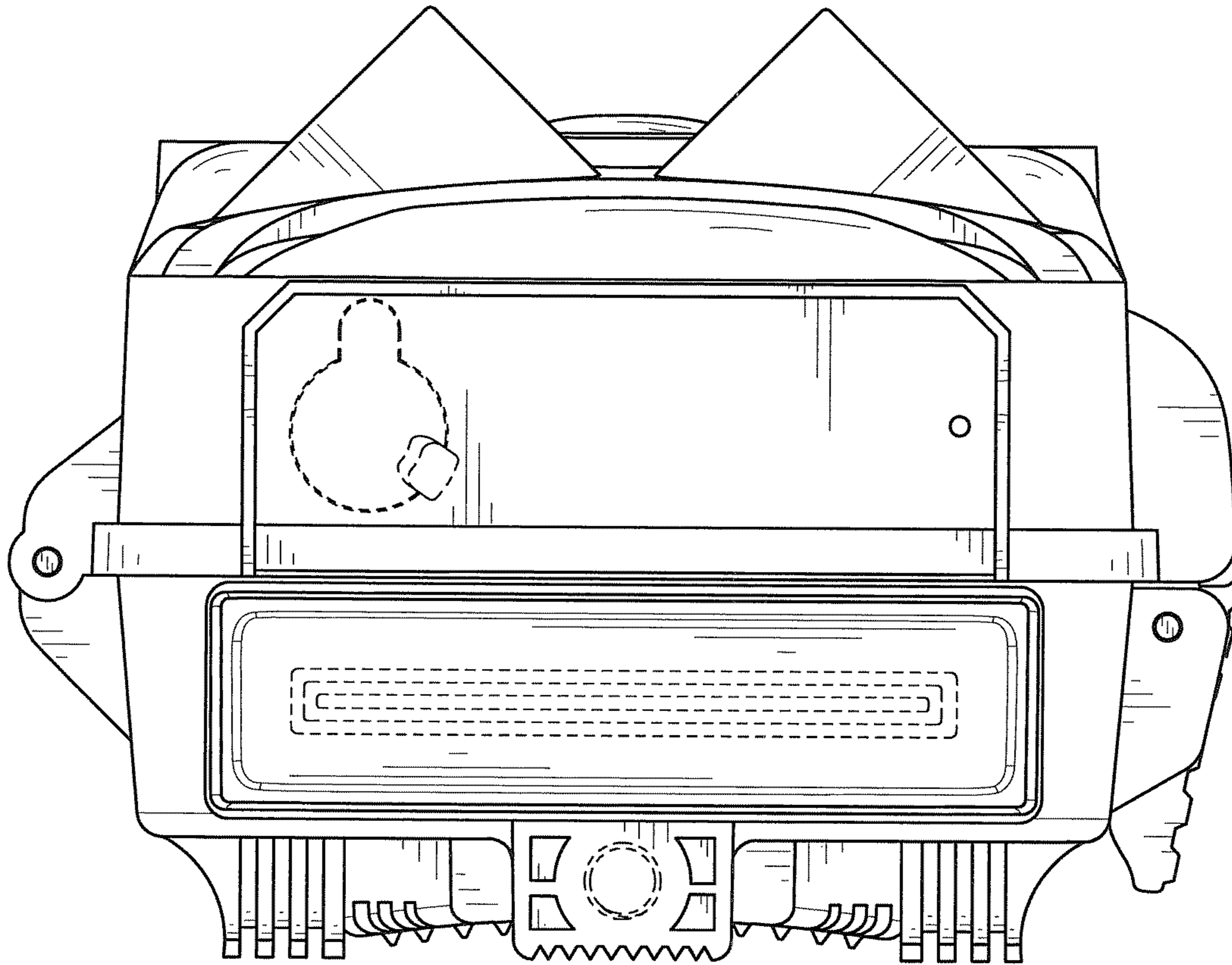


FIG. 8