



US00D883360S

(12) **United States Design Patent**
Ren et al.

(10) **Patent No.:** **US D883,360 S**

(45) **Date of Patent:** **** May 5, 2020**

(54) **HUNTING CAMERA**

(71) Applicant: **SHENZHEN FUXIN ELECTRONICS CO. LTD.**, Shenzhen (CN)

(72) Inventors: **Yongchun Ren**, Shenzhen (CN); **Bolin Han**, Nanchong (CN)

(73) Assignee: **shenzhen fuxin electronics co., ltd.**, Shenzhen (CN)

(**) Term: **15 Years**

(21) Appl. No.: **29/682,623**

(22) Filed: **Mar. 6, 2019**

(51) **LOC (12) Cl.** **16-01**

(52) **U.S. Cl.**
USPC **D16/203**

(58) **Field of Classification Search**
USPC D16/200, 202–206, 218, 219, 242;
348/143, 148, 151, 155, 164, 373–376;
396/419, 427, 535, 539–541
CPC G03B 17/02; G03B 19/04; G03B 17/56;
G03B 17/04; G03B 15/03; H04N 5/2251;
H04N 5/2252; H04N 5/2253; H04N
5/2254; H04N 7/181; H04N 7/183; H04N
7/18; G08B 13/1963; G08B 13/19619;
G08B 13/19632; G08B 13/19602; G08B
13/19634; F16M 11/04; F16M 13/00
See application file for complete search history.

(56) **References Cited**

U.S. PATENT DOCUMENTS

7,471,334 B1 * 12/2008 Stenger G03B 29/00
348/143
7,534,056 B2 * 5/2009 Cross F16M 11/10
348/143

D616,009 S *	5/2010	Schnell	D16/218
D628,224 S *	11/2010	Barley	D16/203
D653,276 S *	1/2012	Schnell	D16/218
D655,735 S *	3/2012	Barley	D16/203
D655,736 S *	3/2012	Barley	D16/203
D671,584 S *	11/2012	Ohno	D16/202
D673,991 S *	1/2013	Schnell	D16/218
D674,833 S *	1/2013	Cuddeback	D16/203
D691,647 S *	10/2013	Ye	D16/203
D721,116 S *	1/2015	Schnell	D16/218
D735,259 S *	7/2015	Vermaak	D16/218

* cited by examiner

Primary Examiner — Ramzi S Almatrahi

(74) *Attorney, Agent, or Firm* — Law Offices of Steven W. Weinrieb

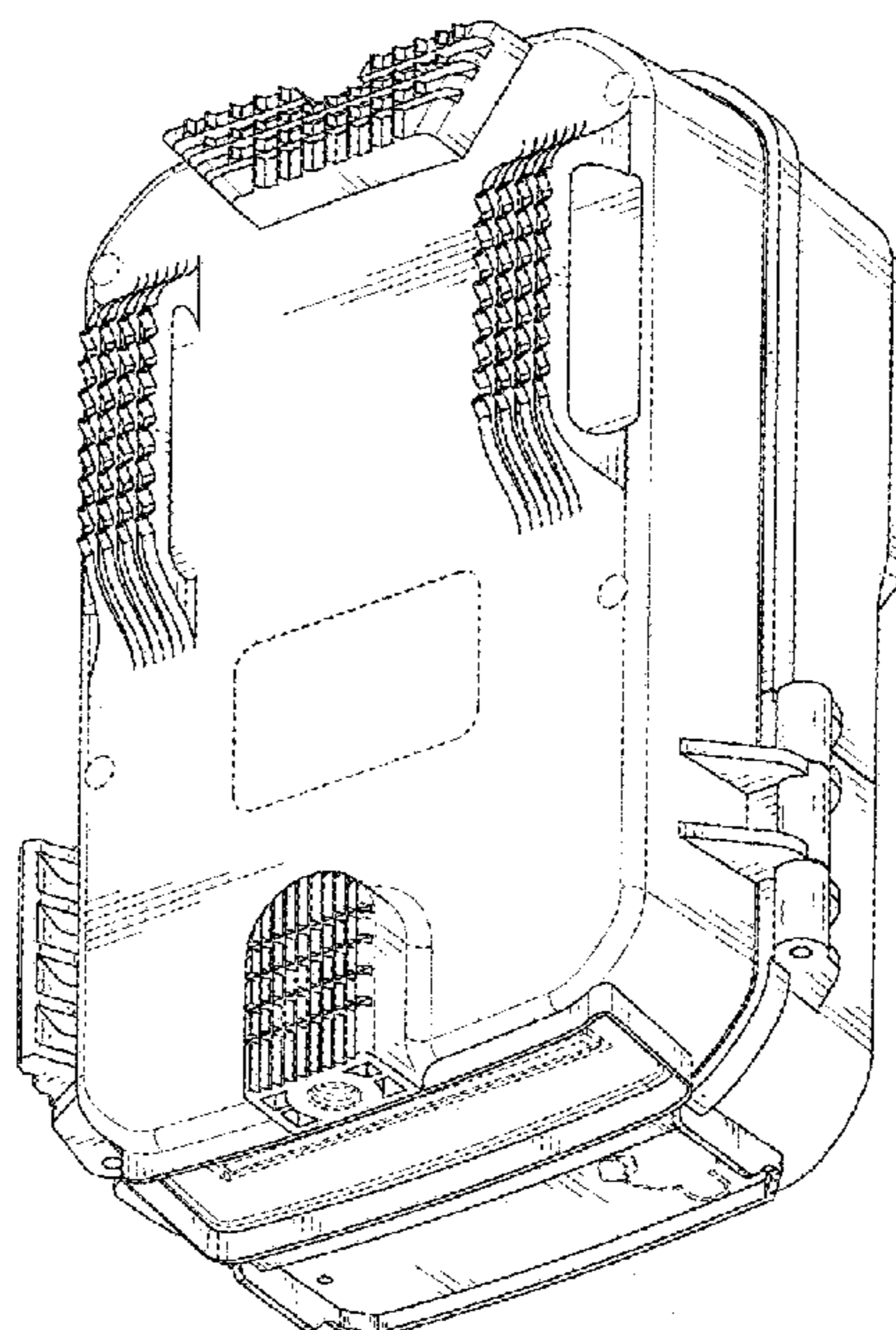
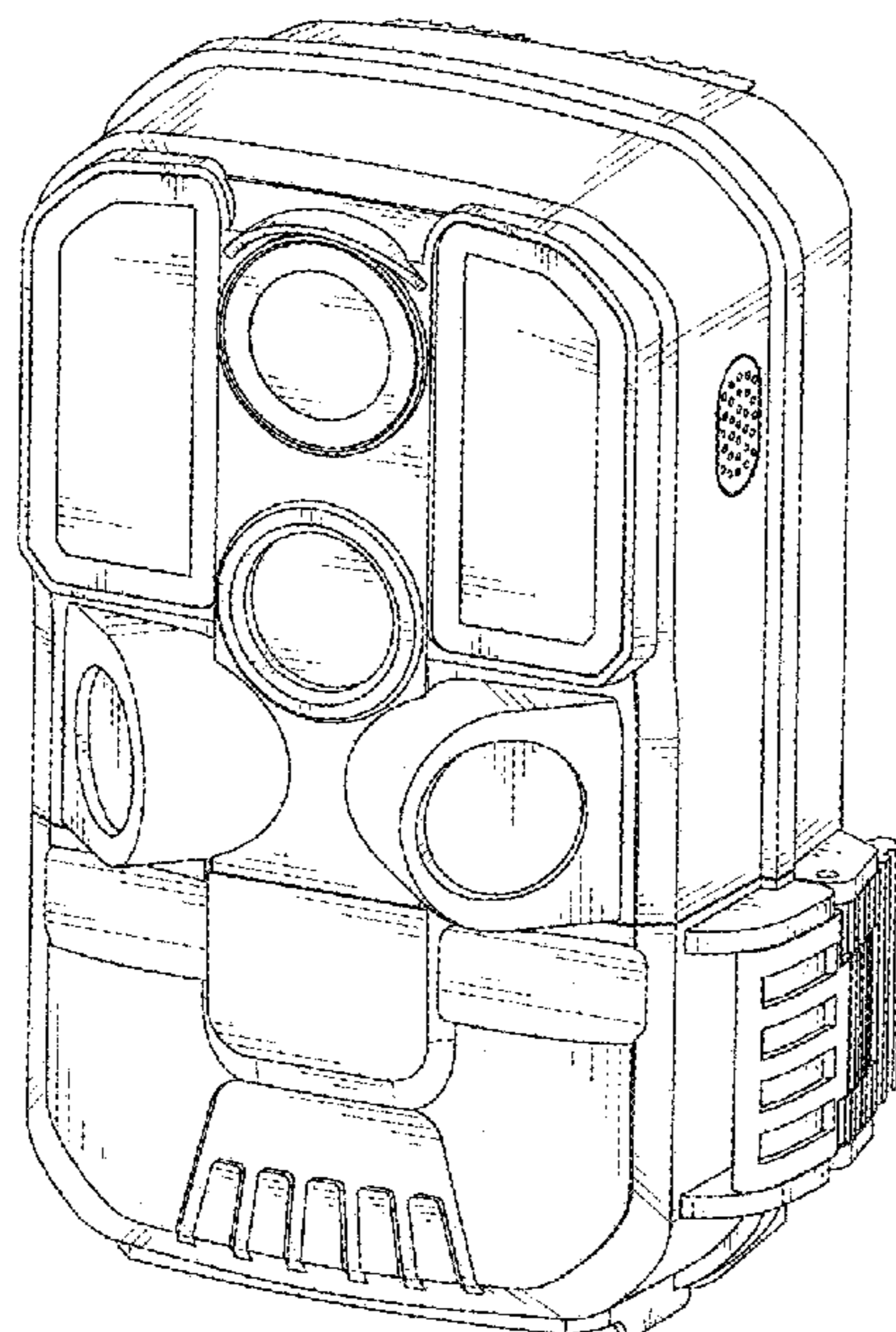
(57) **CLAIM**

The ornamental design for a hunting camera, as shown and described.

DESCRIPTION

FIG. 1 is a top, front and right side perspective view of a hunting camera showing our new design;
FIG. 2 is a bottom, rear and left side perspective view thereof;
FIG. 3 is a front elevational view thereof;
FIG. 4 is a rear elevational view thereof;
FIG. 5 is a left side elevational view thereof;
FIG. 6 is a right side elevational view thereof;
FIG. 7 is a top plan view thereof; and,
FIG. 8 is a bottom plan view thereof.
The broken lines depict portions of the hunting camera in which the design is embodied that form no part of the claimed design. The broken lines shown which are immediately adjacent to the shaded areas represent the bounds of the claimed design and form no part of the claimed design.

1 Claim, 8 Drawing Sheets



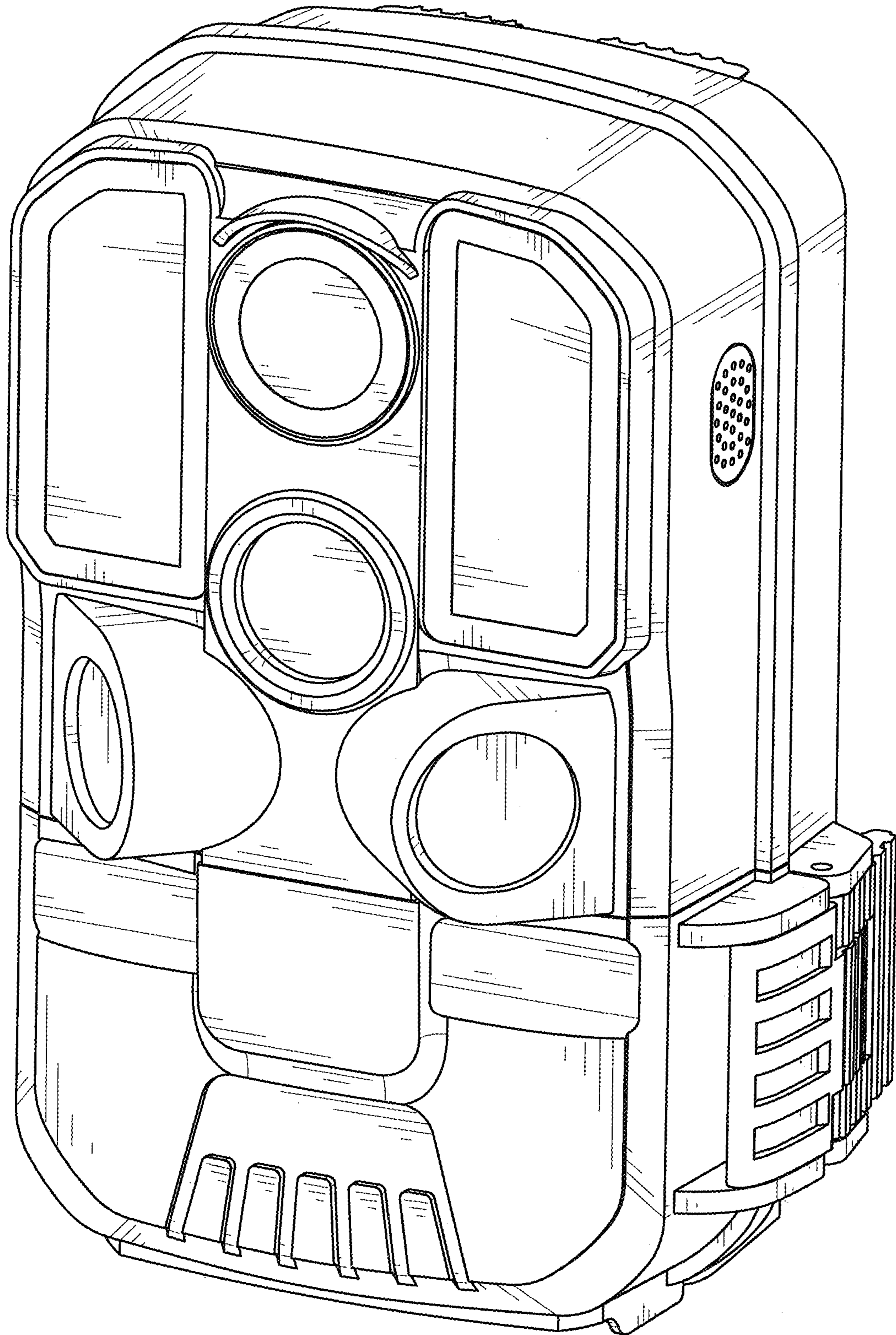


FIG. 1

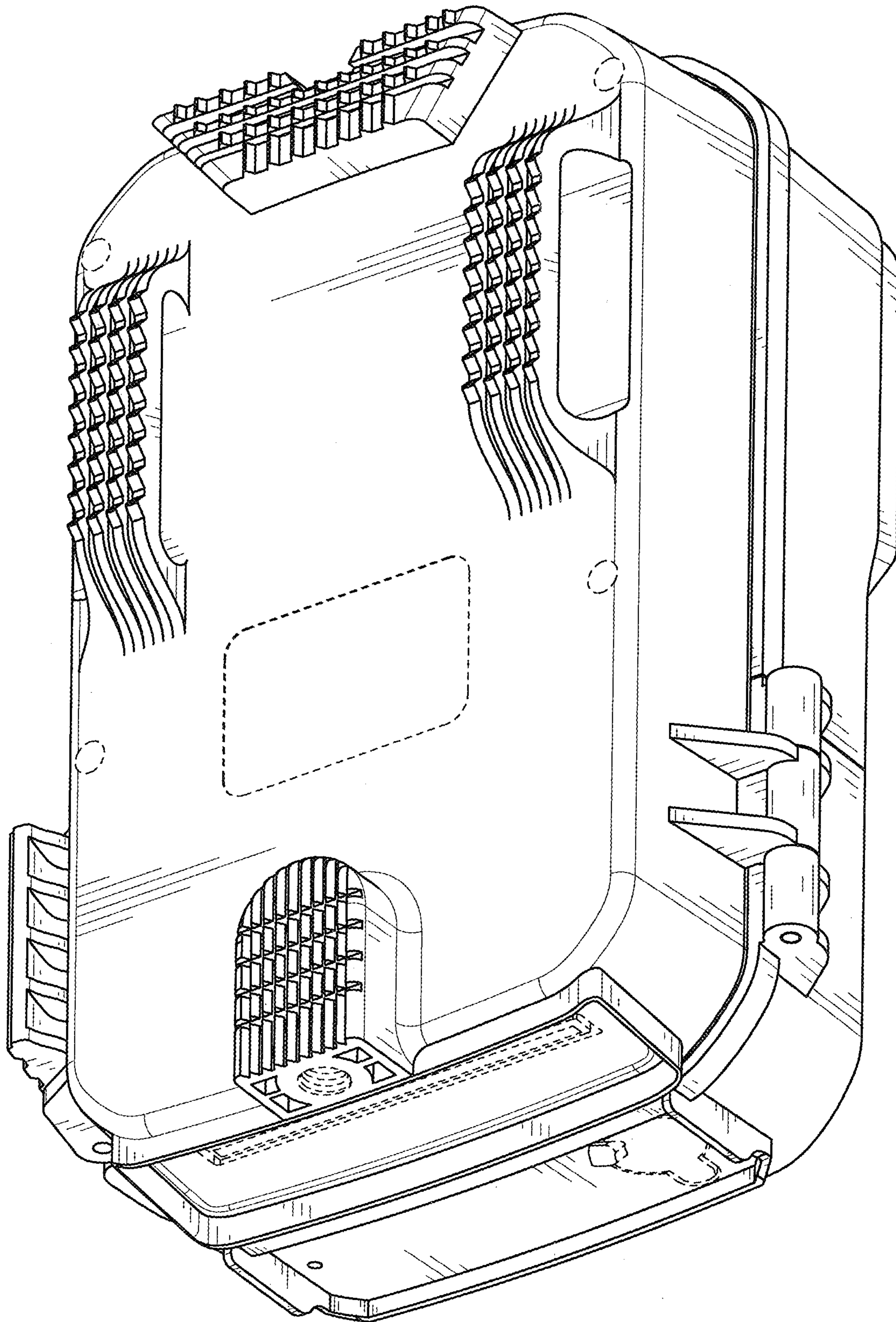


FIG. 2

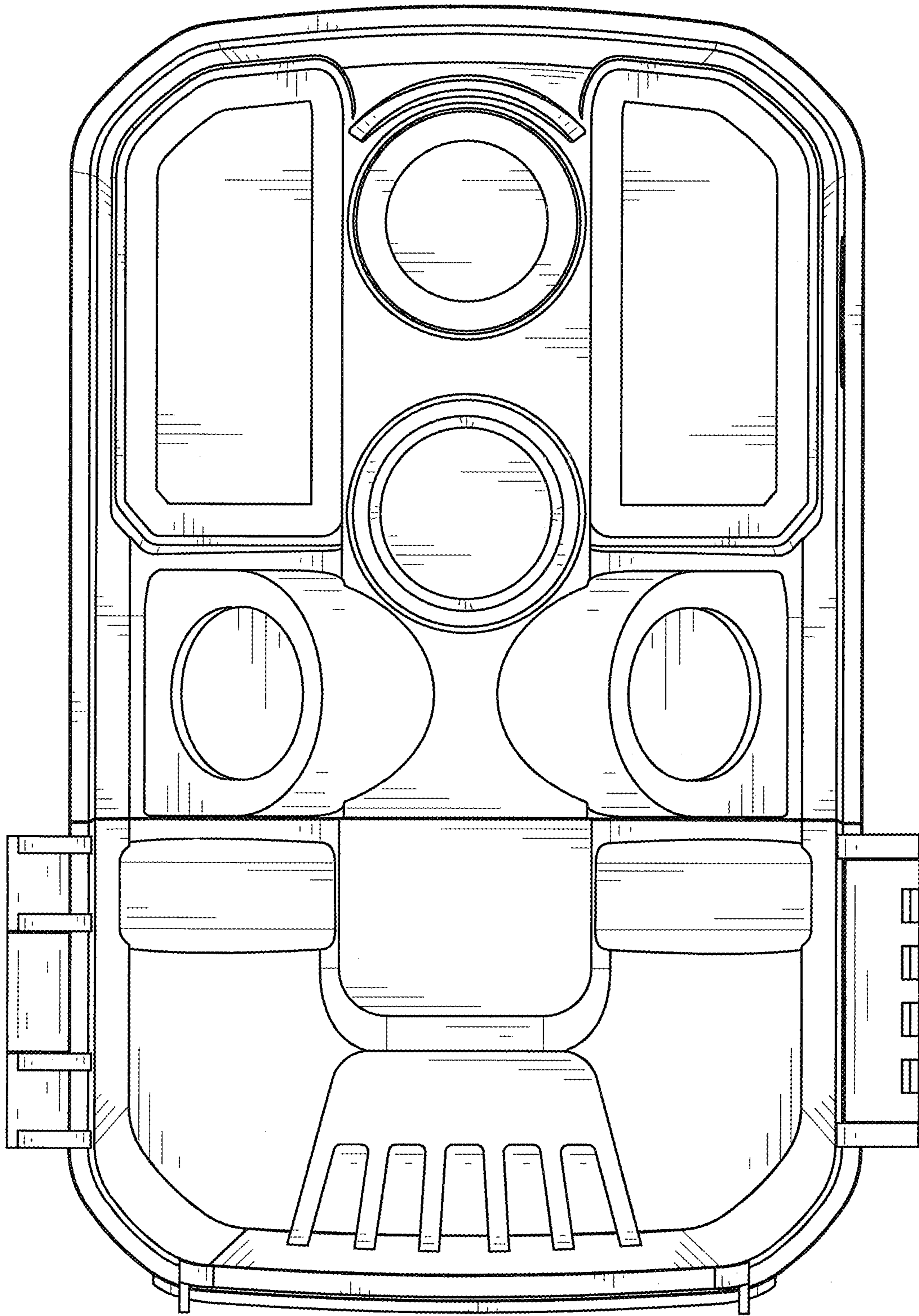


FIG. 3

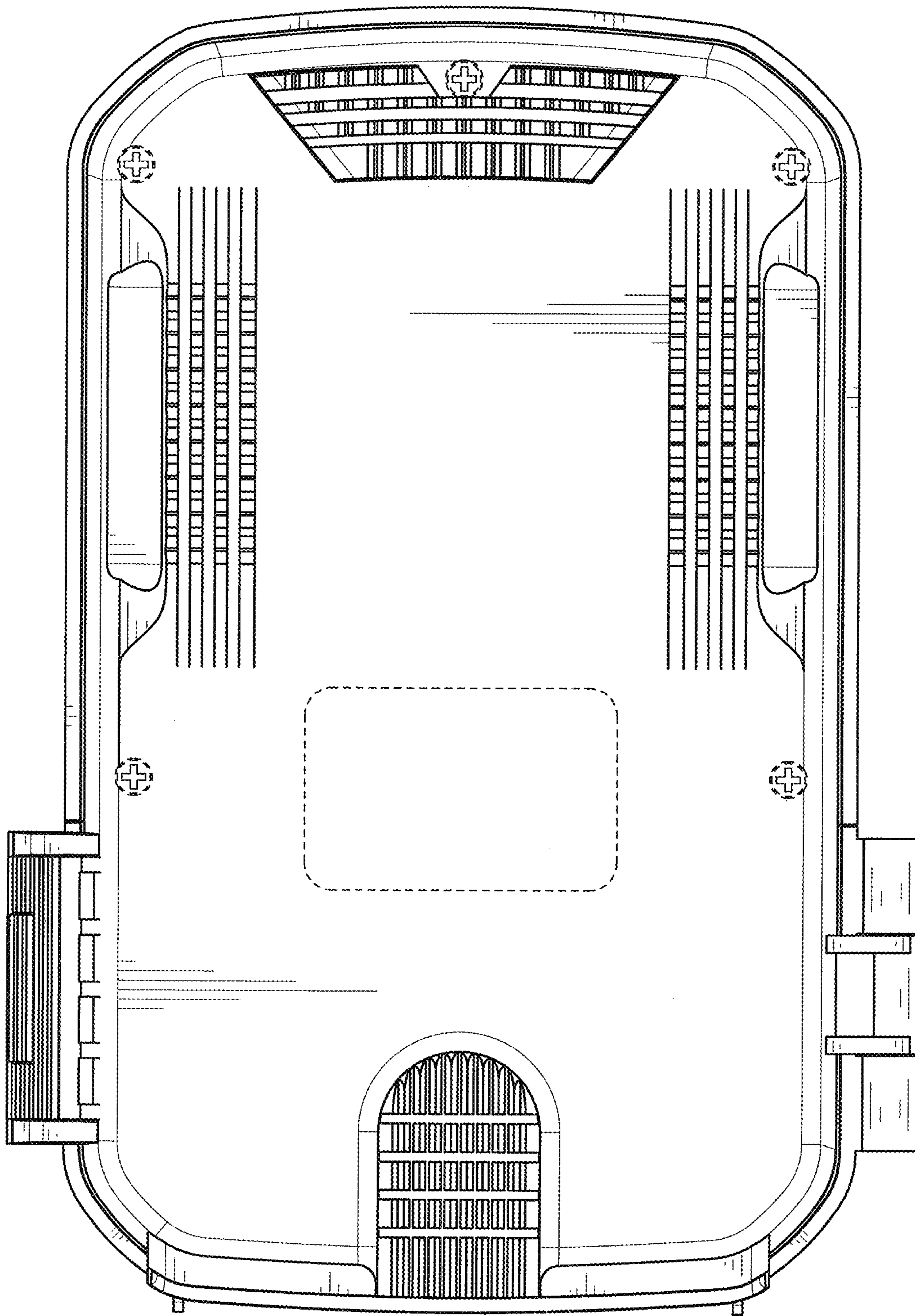


FIG. 4

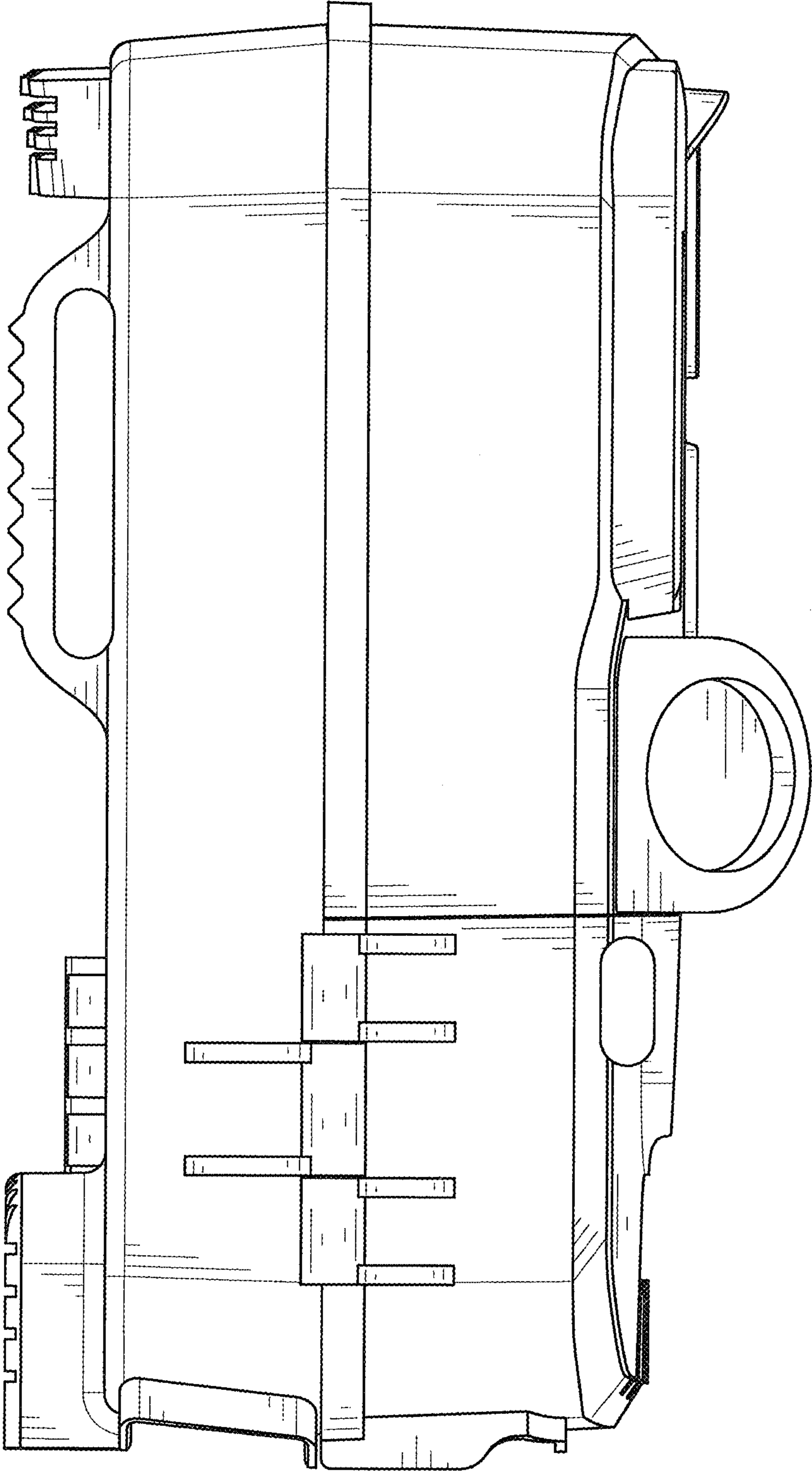


FIG. 5

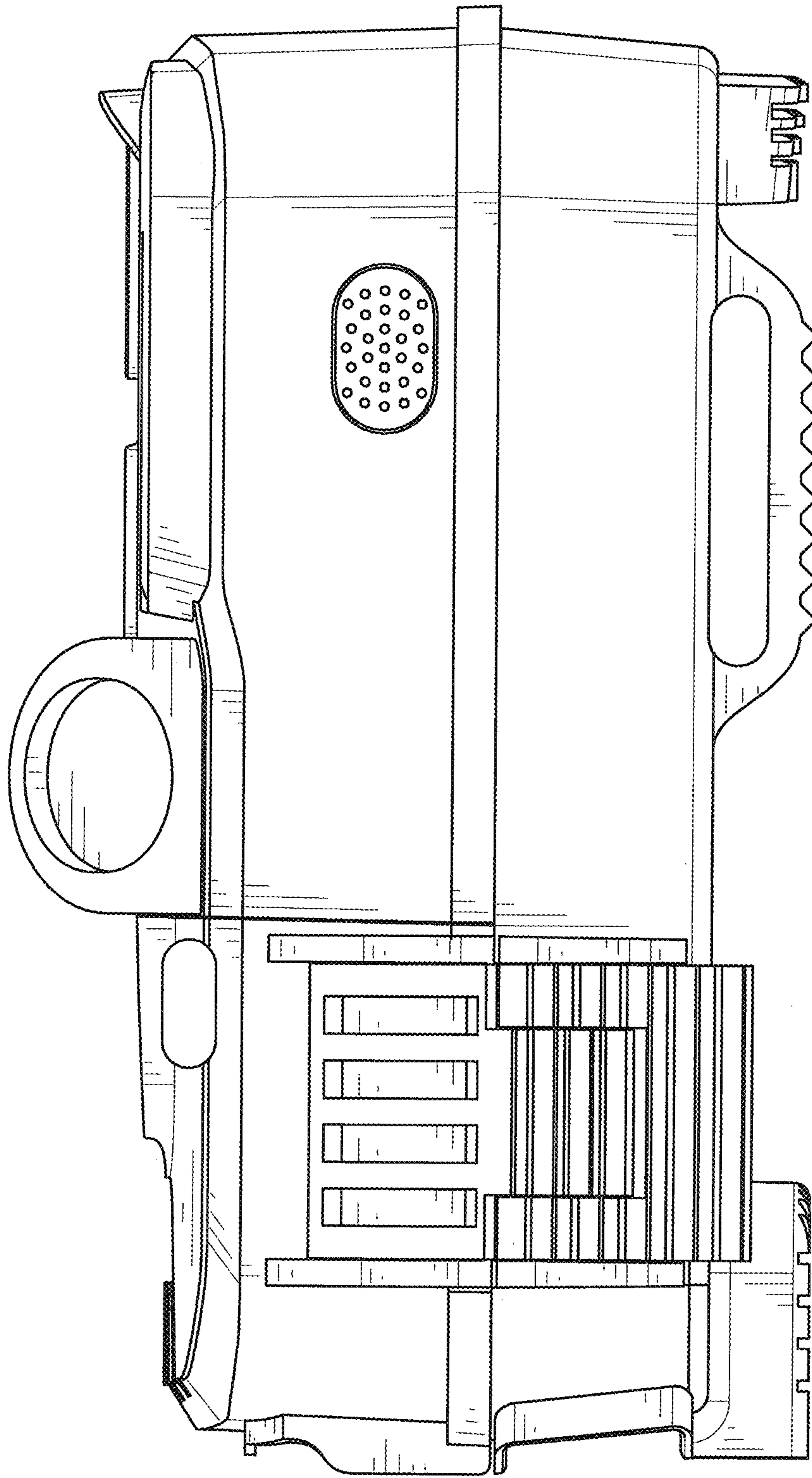


FIG. 6

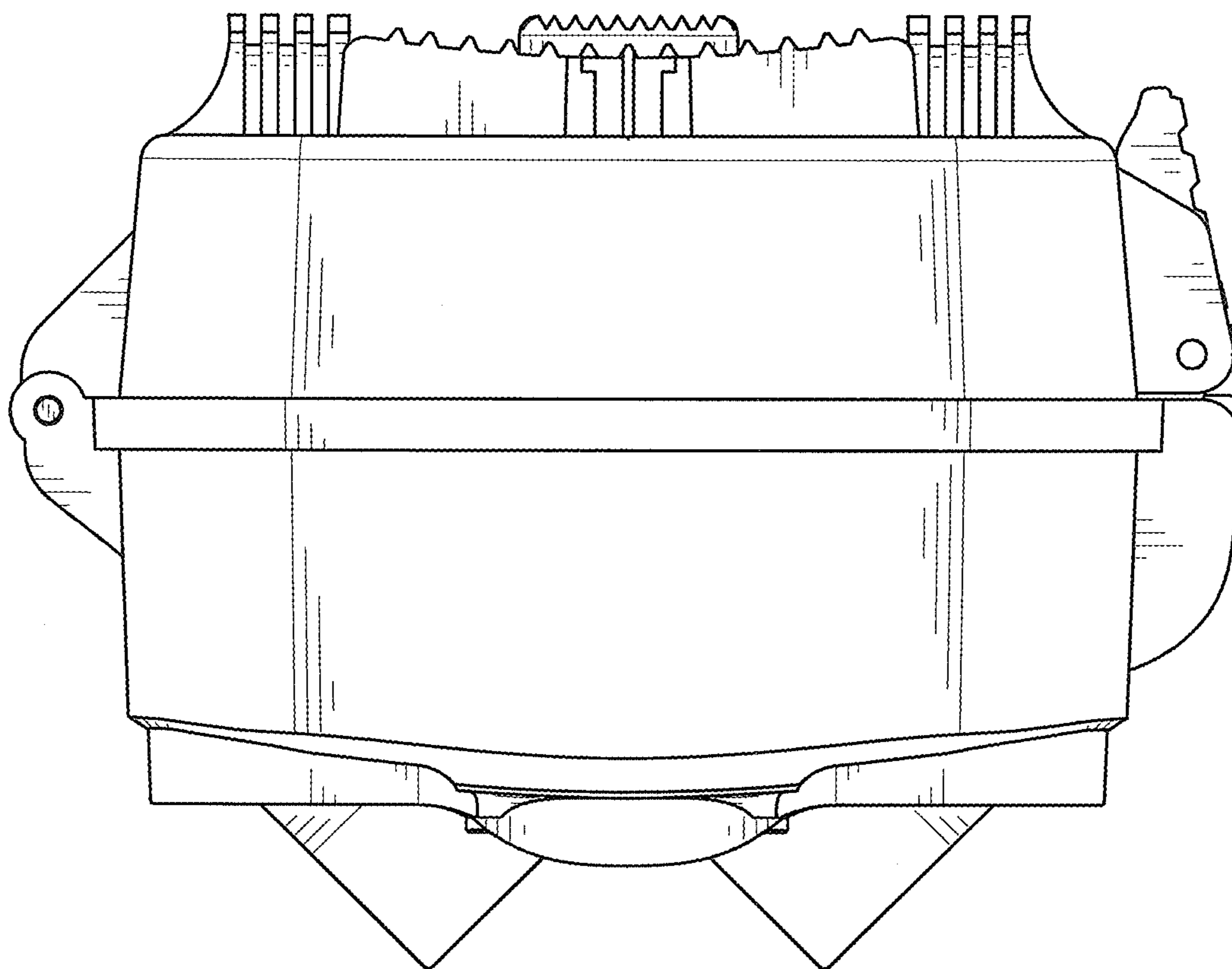


FIG. 7

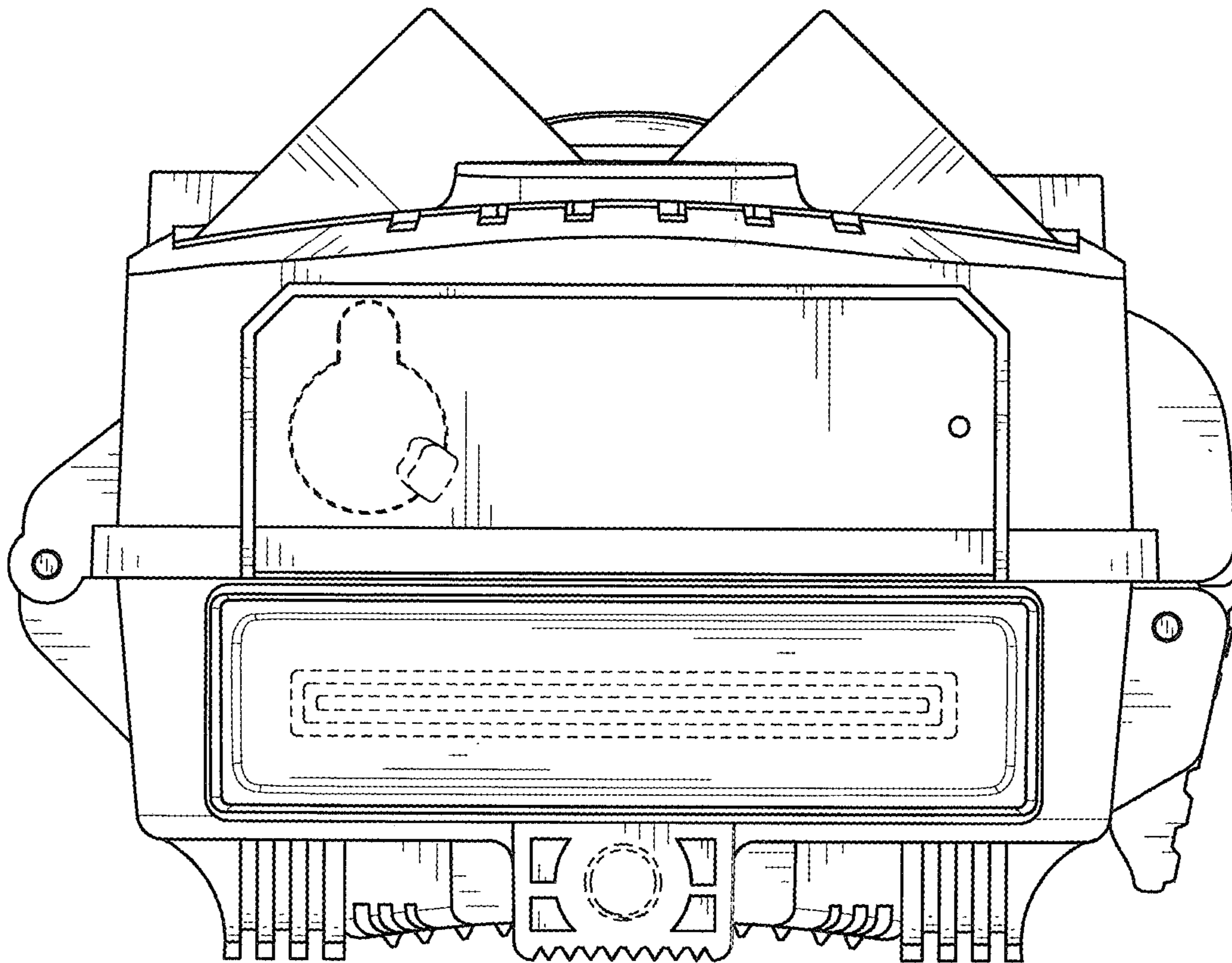


FIG. 8