



US00D883356S

(12) **United States Design Patent**
Ikegame

(10) **Patent No.:** **US D883,356 S**

(45) **Date of Patent:** **** May 5, 2020**

(54) **DIGITAL CAMERA**

(71) Applicant: **FUJIFILM Corporation**, Tokyo (JP)

(72) Inventor: **Haruka Ikegame**, Saitama (JP)

(73) Assignee: **FUJIFILM Corporation**, Tokyo (JP)

(**) Term: **15 Years**

(21) Appl. No.: **29/657,944**

(22) Filed: **Jul. 26, 2018**

(30) **Foreign Application Priority Data**

Jan. 31, 2018 (JP) 2018-001912

(51) **LOC (12) Cl.** **16-01**

(52) **U.S. Cl.**
USPC **D16/202**

(58) **Field of Classification Search**
USPC D16/134, 136, 200, 202–205, 208, 218,
D16/219; 348/36, 335, 373–376;
359/554, 826–828; 396/72, 282, 287,
396/291, 296, 529–532, 535, 539–541,
396/544

CPC G03B 17/02; G03B 19/04; G03B 17/56;
G03B 17/04; G03B 15/03; G03B 17/14;
H04N 5/2251; H04N 5/2252; H04N
5/2253; H04N 5/2254

See application file for complete search history.

(56) **References Cited**

U.S. PATENT DOCUMENTS

D631,496 S * 1/2011 Tainaka D16/202
D649,997 S * 12/2011 Imai D16/202

D657,408 S * 4/2012 Tainaka D16/202
D695,803 S * 12/2013 Kyunghan D16/202
D697,959 S * 1/2014 Imai D16/202
D698,839 S * 2/2014 Sato D16/200
D716,862 S * 11/2014 Hoshi D16/202
D734,802 S * 7/2015 Osada D16/202
D745,908 S * 12/2015 Ham D16/202
D749,659 S * 2/2016 Kamei D16/202
D764,560 S * 8/2016 Jang D16/202
D794,693 S * 8/2017 Sato D16/202
2011/0109790 A1 * 5/2011 Shinohara G03B 17/14
348/373

* cited by examiner

Primary Examiner — Ramzi S Almatrahi

(74) *Attorney, Agent, or Firm* — Birch, Stewart, Kolasch
& Birch, LLP

(57) **CLAIM**

The ornamental design for a digital camera, as shown and described.

DESCRIPTION

FIG. 1 is a front perspective view of a digital camera showing the new design.

FIG. 2 is a rear perspective view thereof.

FIG. 3 is a front view thereof.

FIG. 4 is a rear view thereof.

FIG. 5 is a top view thereof.

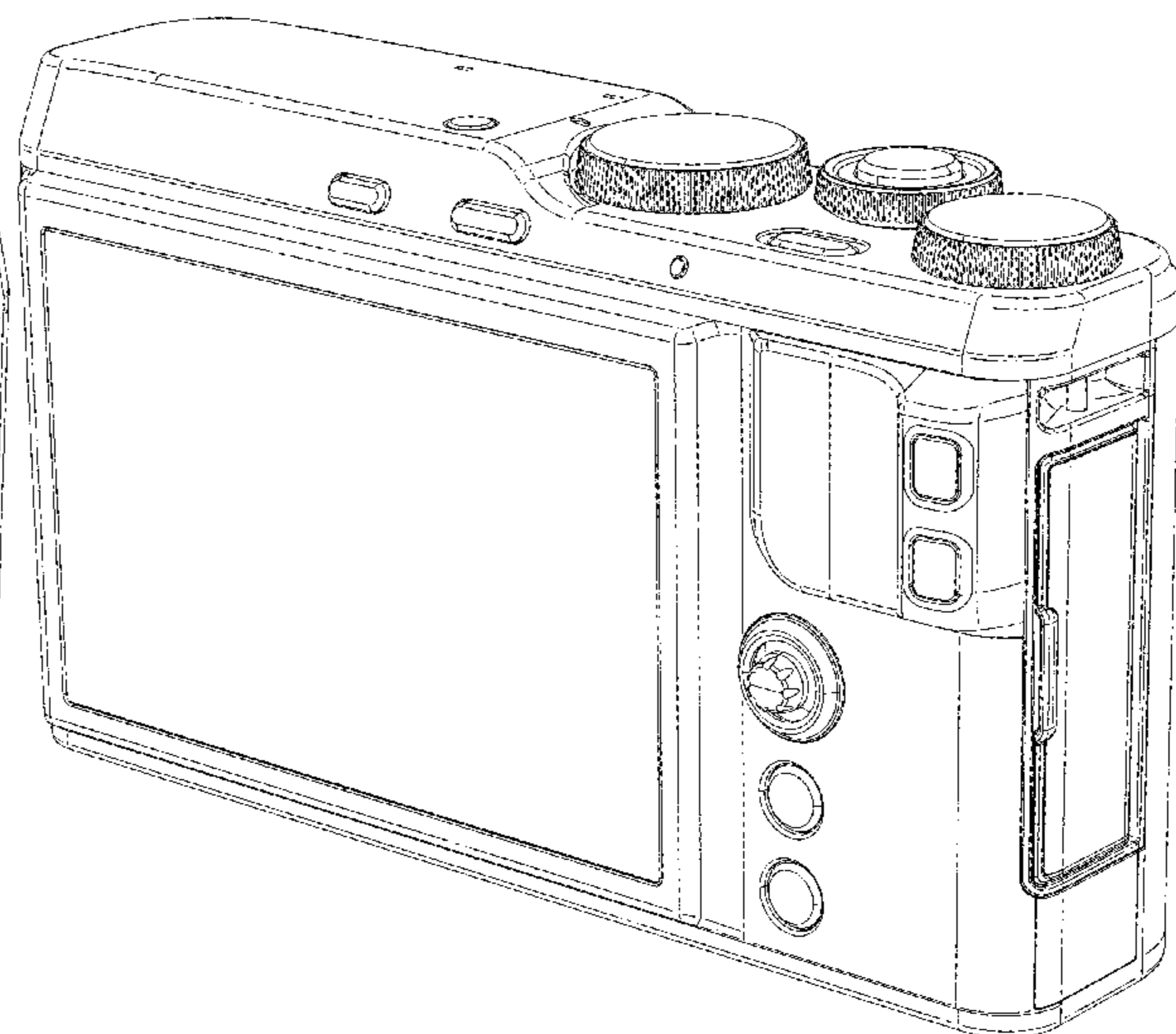
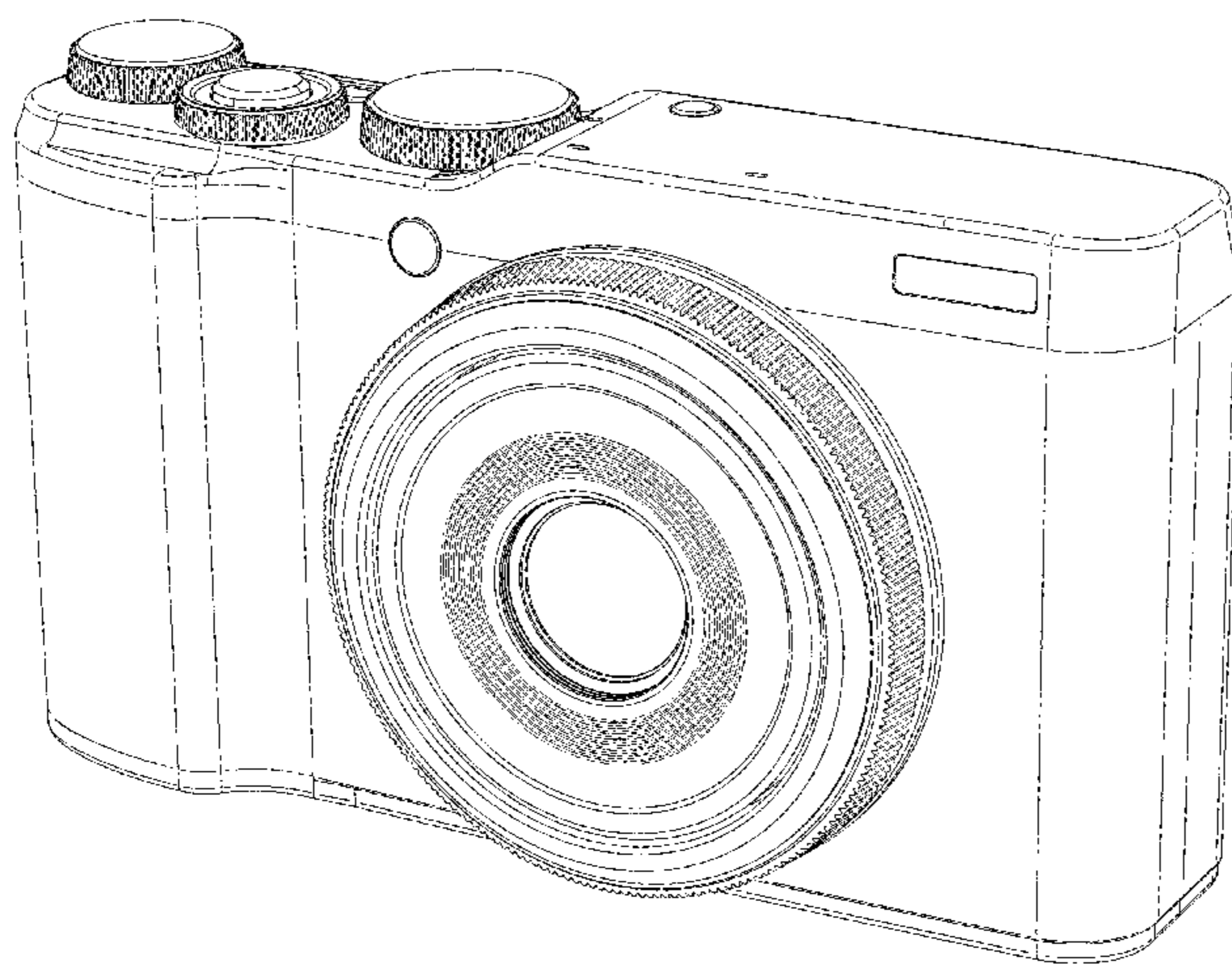
FIG. 6 is a bottom view thereof.

FIG. 7 is a left side view thereof; and,

FIG. 8 is a right side view thereof.

The broken lines depict portions of the digital camera in which the design is embodied that form no part of the claimed design.

1 Claim, 8 Drawing Sheets



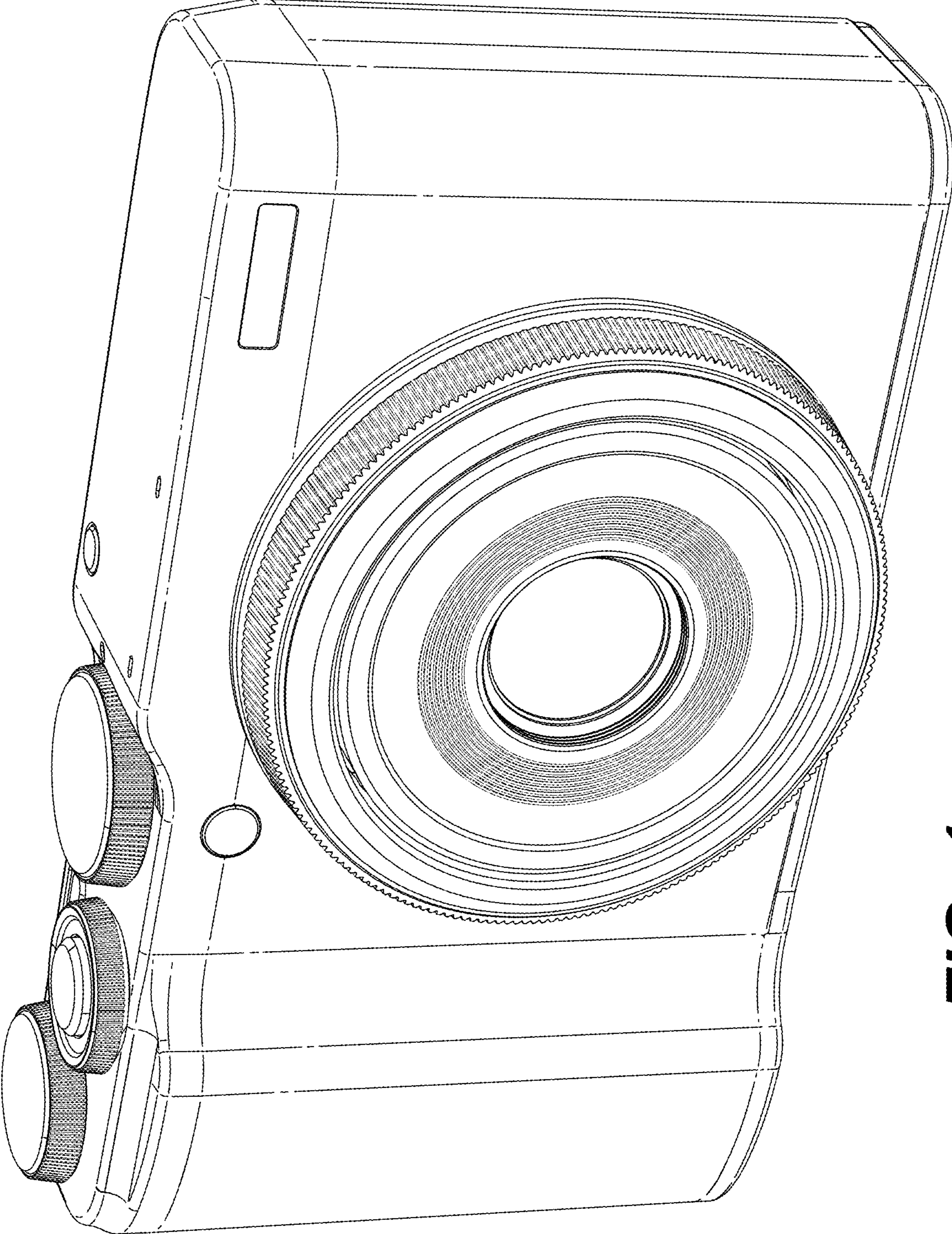


FIG. 1

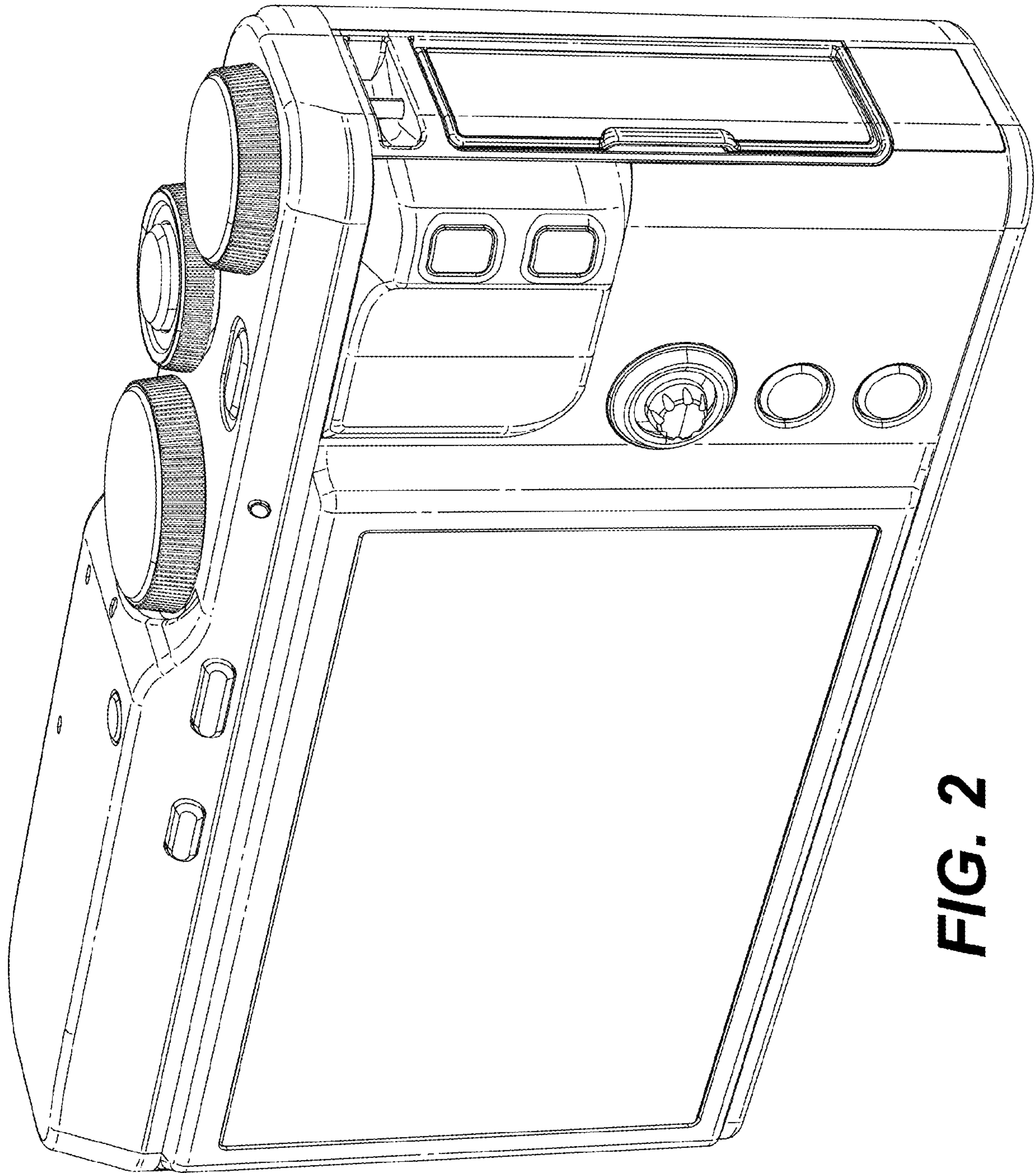


FIG. 2

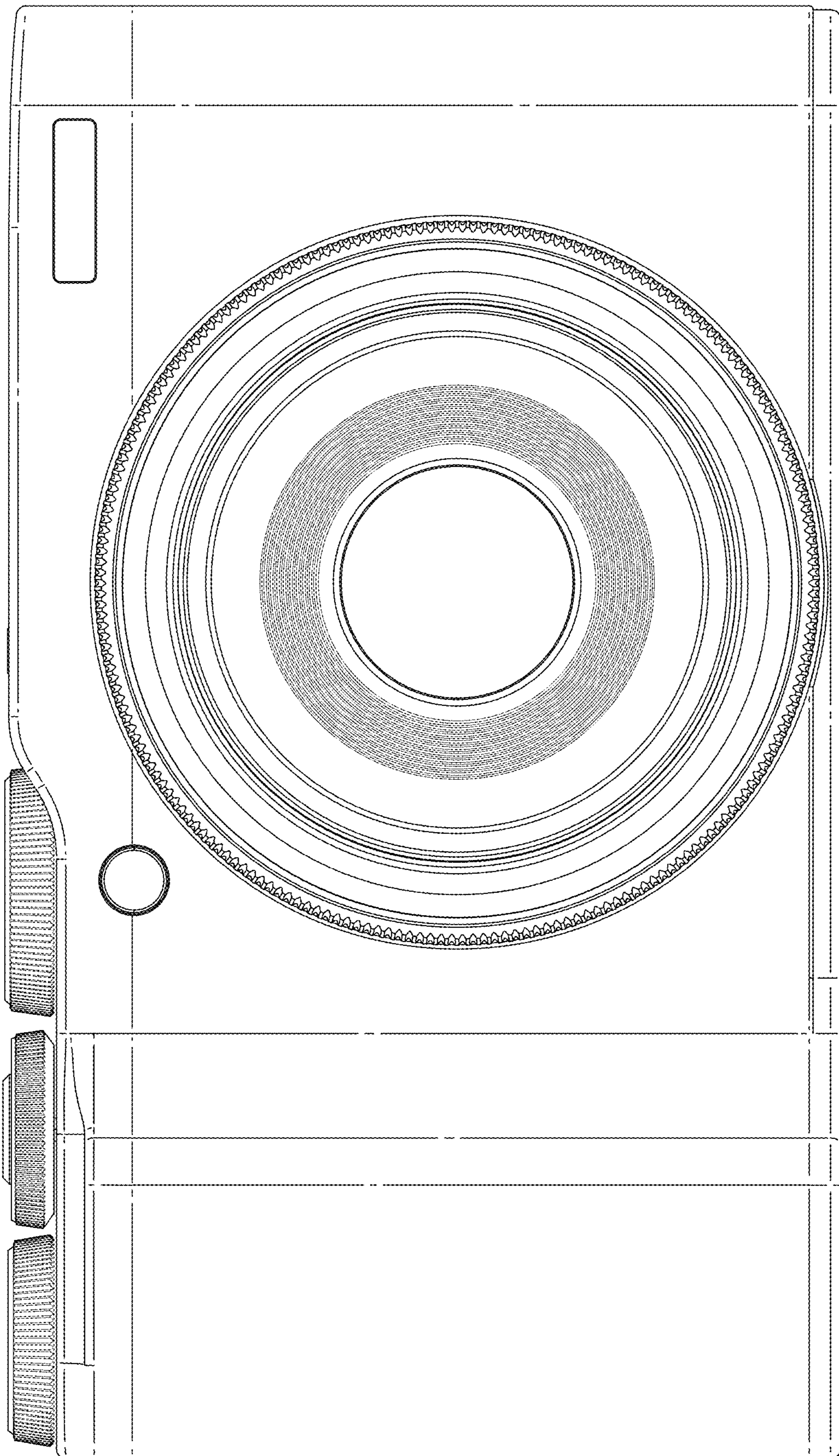


FIG. 3

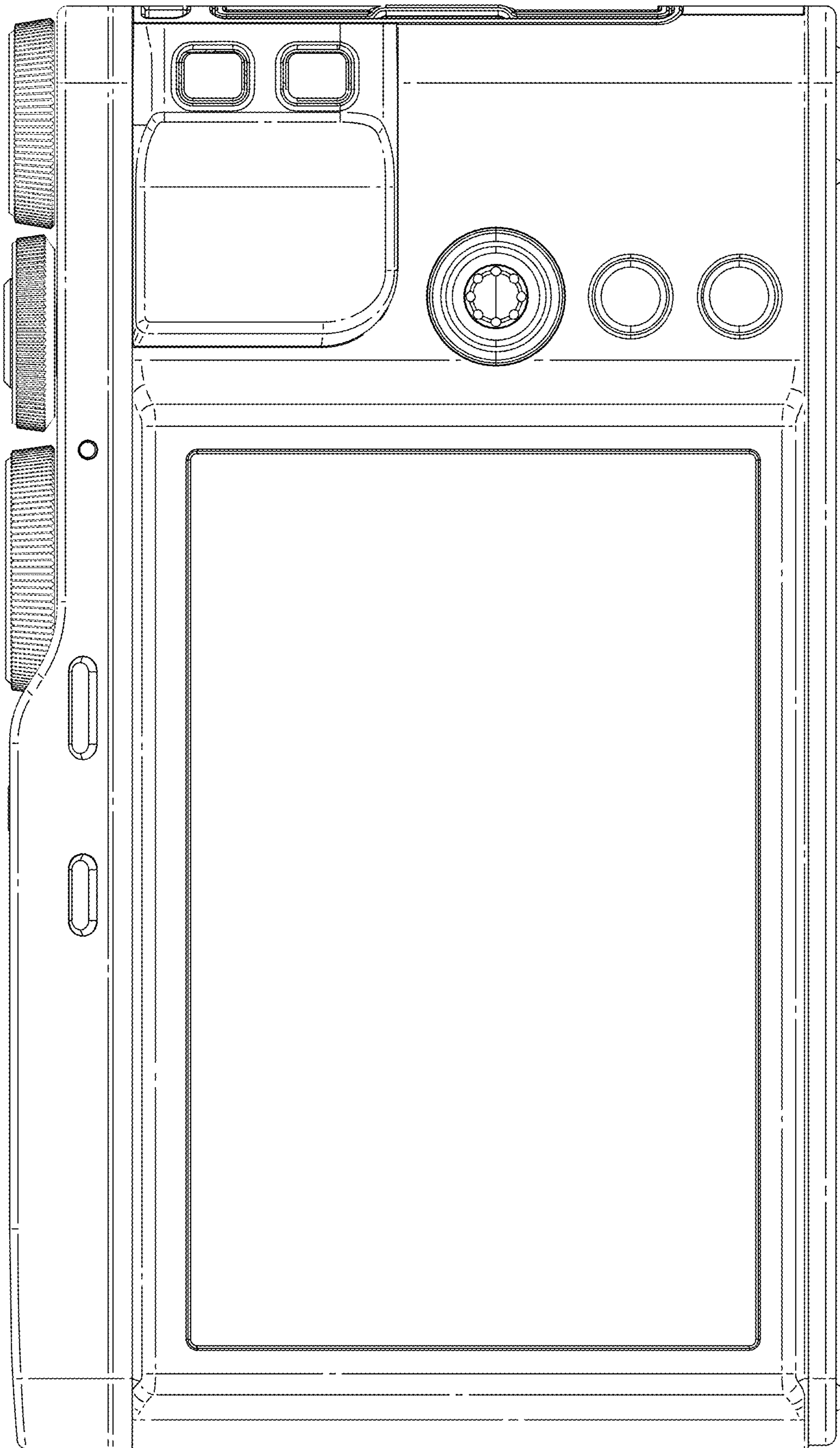


FIG. 4

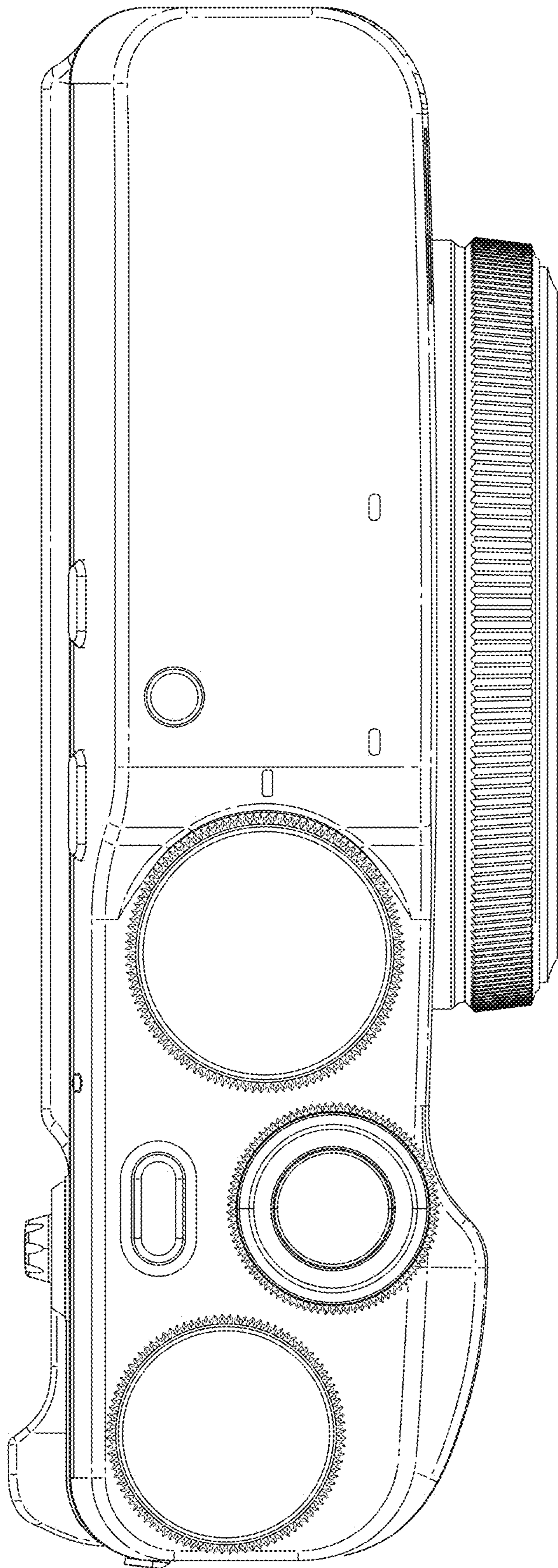


FIG. 5

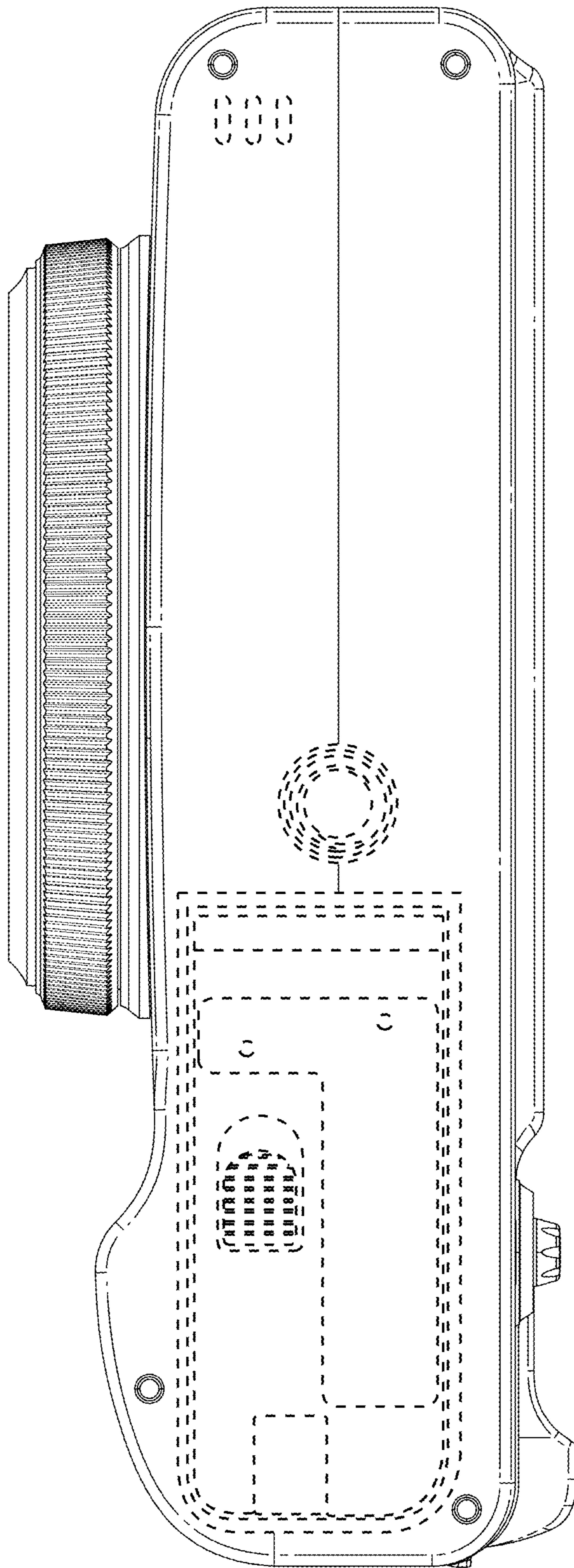


FIG. 6

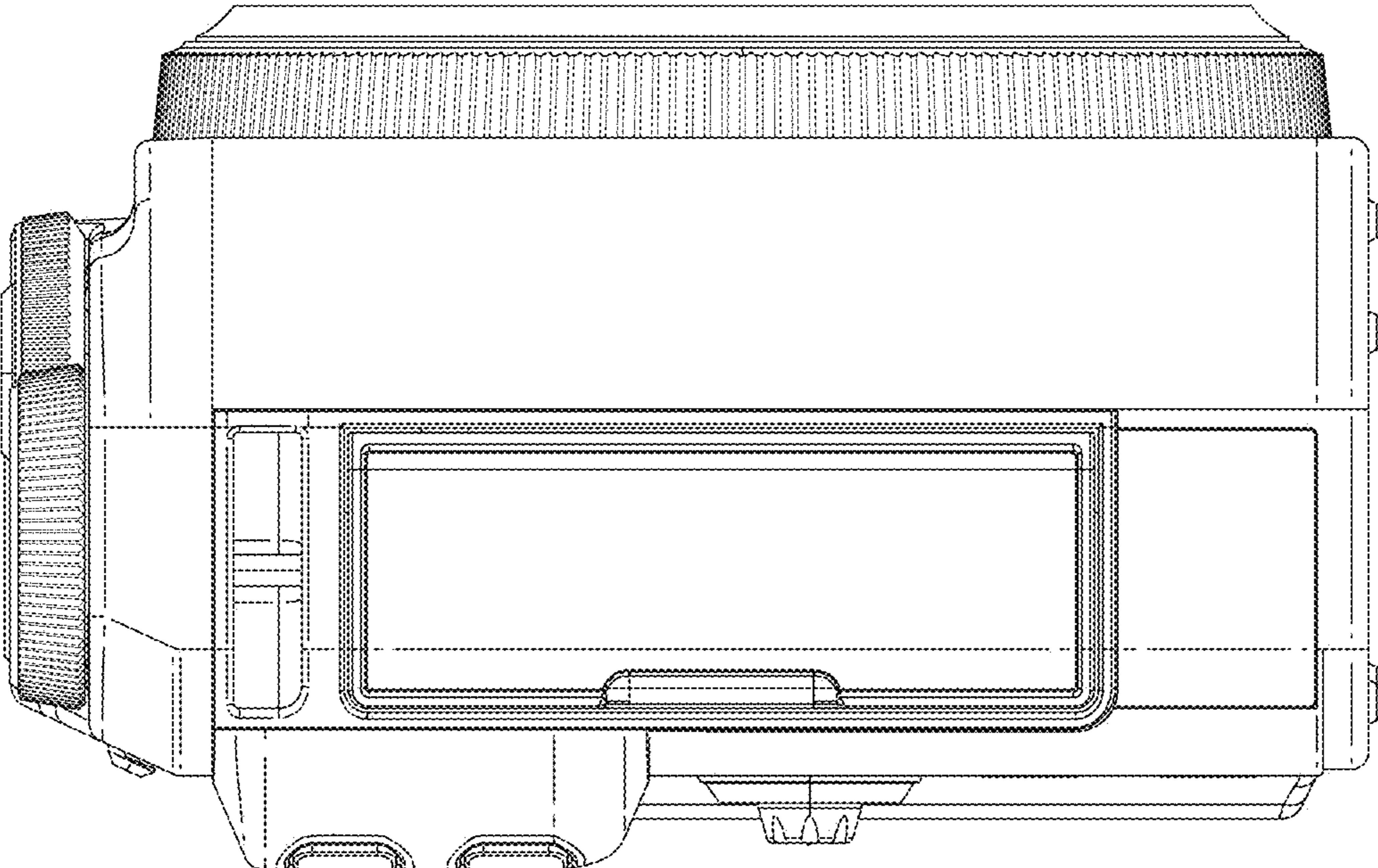


FIG. 7

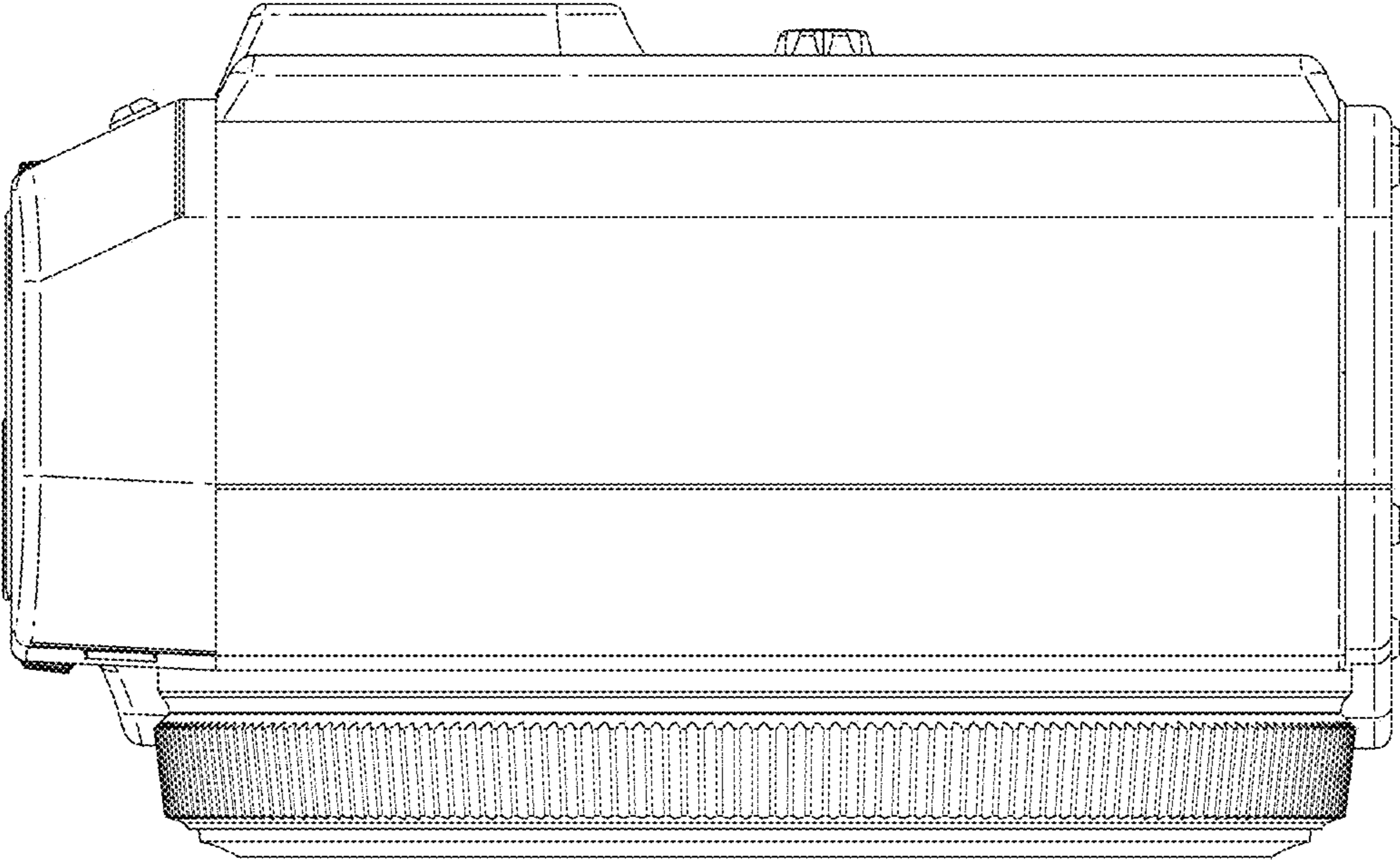


FIG. 8