



US00D883355S

(12) **United States Design Patent**
Greenwalt

(10) **Patent No.:** **US D883,355 S**

(45) **Date of Patent:** **** May 5, 2020**

- (54) **REMOTE CONTROL BUTLER**
- (71) Applicant: **MerchSource, LLC**, Irvine, CA (US)
- (72) Inventor: **Christopher Greenwalt**, Irvine, CA (US)
- (73) Assignee: **MerchSource, LLC**, Irvine, CA (US)
- (**) Term: **15 Years**
- (21) Appl. No.: **29/674,232**
- (22) Filed: **Dec. 20, 2018**
- (51) **LOC (12) Cl.** **15-99**
- (52) **U.S. Cl.**
USPC **D15/199**
- (58) **Field of Classification Search**
USPC D15/199; D12/128-133
CPC . B24B 37/34; B60R 2021/0027; B60R 21/00;
G05B 19/042; G05B 19/402; G05B 19/418;
G05B 19/41835; G05B 19/42; G05B 2219/25145;
G05B 2219/39082; G05B 2219/39191; G05B 2219/39322;
G05B 2219/45031
See application file for complete search history.

D832,327 S *	10/2018	Miao	D15/199
D835,693 S *	12/2018	Lee	D15/199
D842,353 S *	3/2019	Lee	D15/199
D852,860 S *	7/2019	Lee	D15/199
D858,484 S *	9/2019	Liu	D14/207
D866,684 S *	11/2019	Fruh	D21/578
D868,866 S *	12/2019	Gable	D15/199

* cited by examiner

Primary Examiner — Khawaja Anwar
(74) *Attorney, Agent, or Firm* — Avyno Law P.C.

(57) **CLAIM**

I claim the ornamental design for a remote control butler, as shown and described.

DESCRIPTION

FIG. 1 is a front perspective view of a remote control butler. FIG. 2 is a front view of the remote control butler of FIG. 1.

FIG. 3 is a rear view of the remote control butler of FIG. 1. FIG. 4 is a side view of the left side of the remote control butler of FIG. 1.

FIG. 5 is a side view of the right side of the remote control butler of FIG. 1.

FIG. 6 is a top view of the remote control butler of FIG. 1; and,

FIG. 7 is a bottom view of the remote control butler of FIG. 1.

The dashed lines in various figures are for illustrative purposes only and form no part of the claimed design.

- (56) **References Cited**
U.S. PATENT DOCUMENTS
D725,166 S * 3/2015 Paik D15/199
D726,836 S * 4/2015 Song D15/199

1 Claim, 7 Drawing Sheets

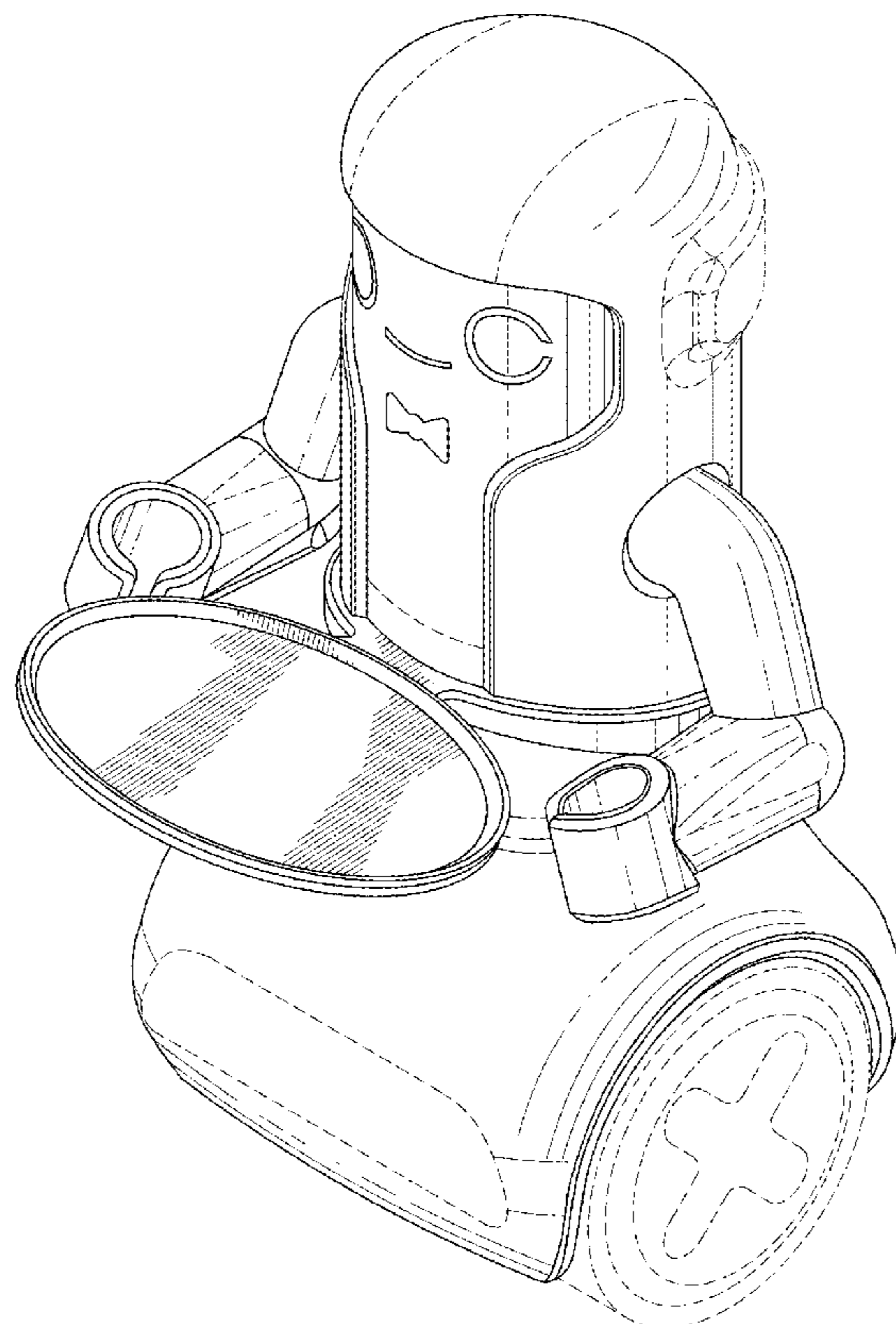


FIG. 1

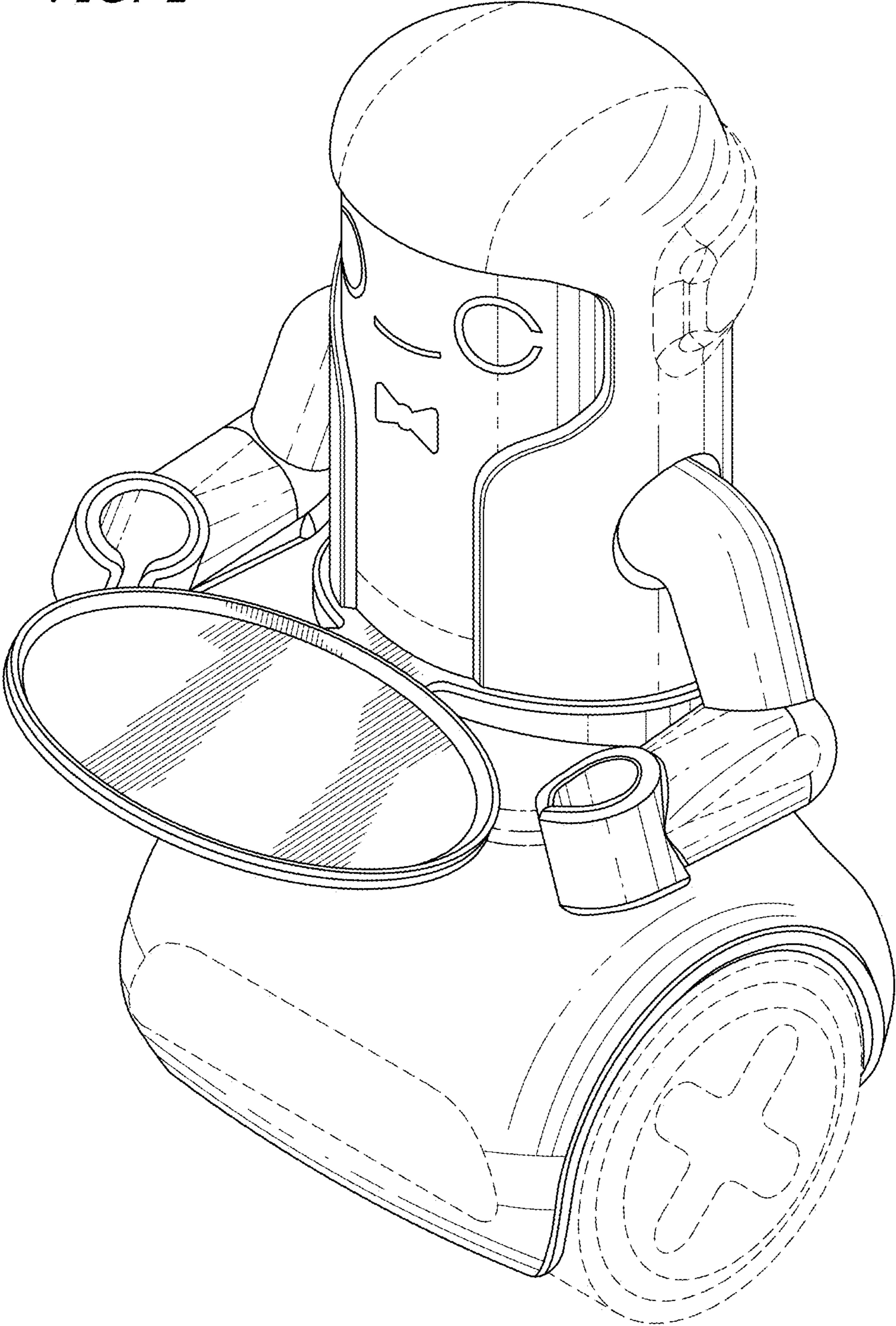


FIG. 2

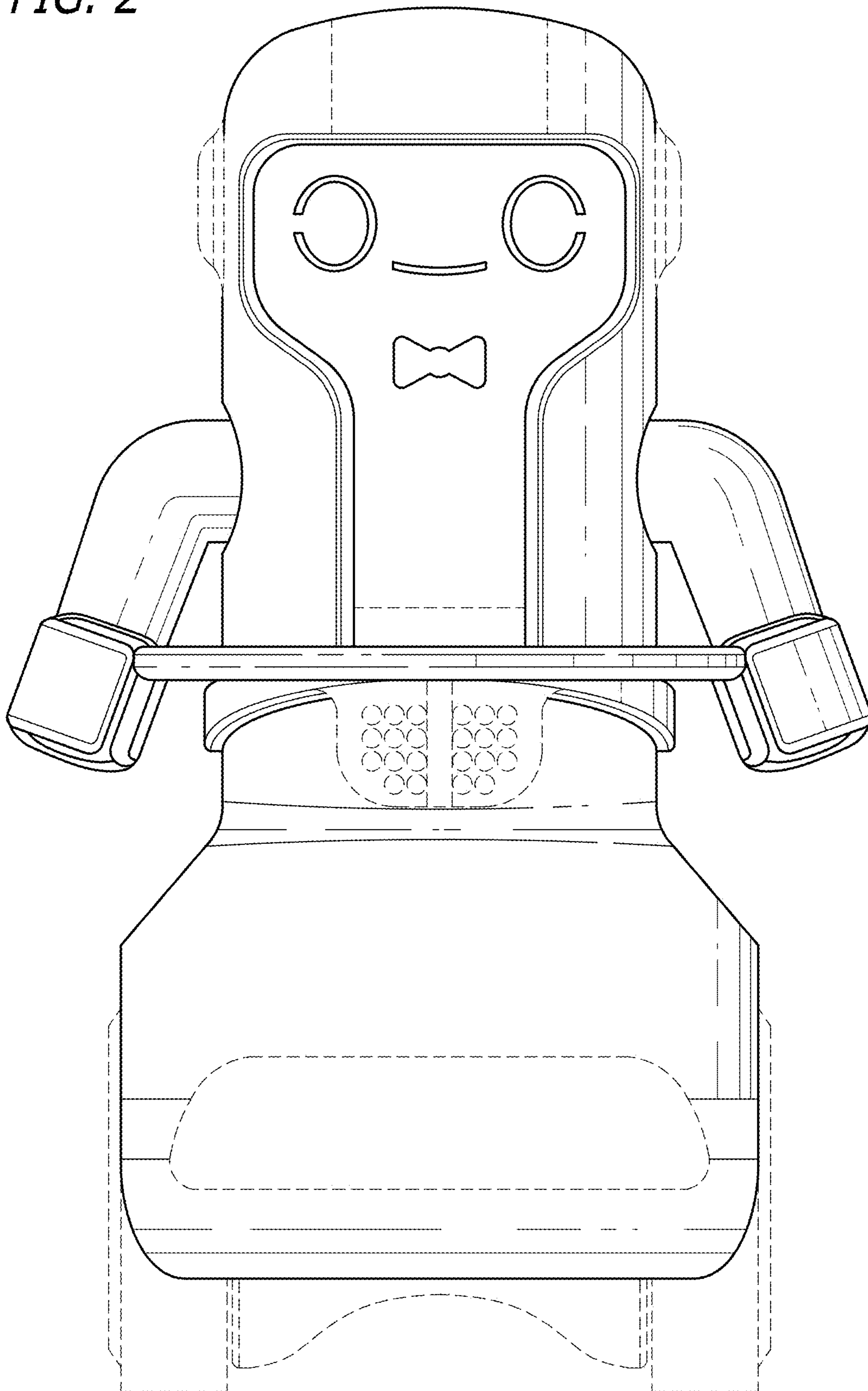


FIG. 3

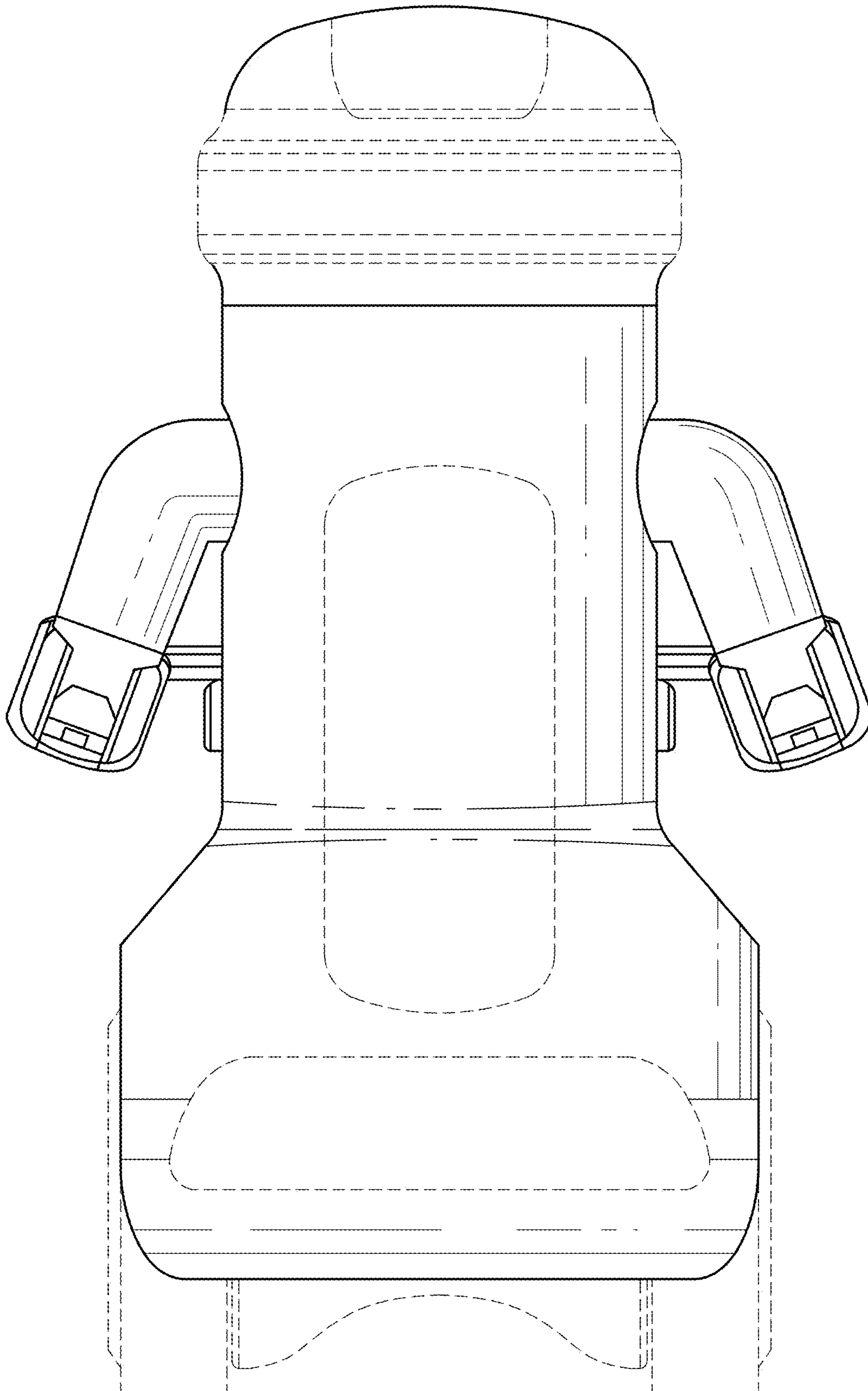


FIG. 4

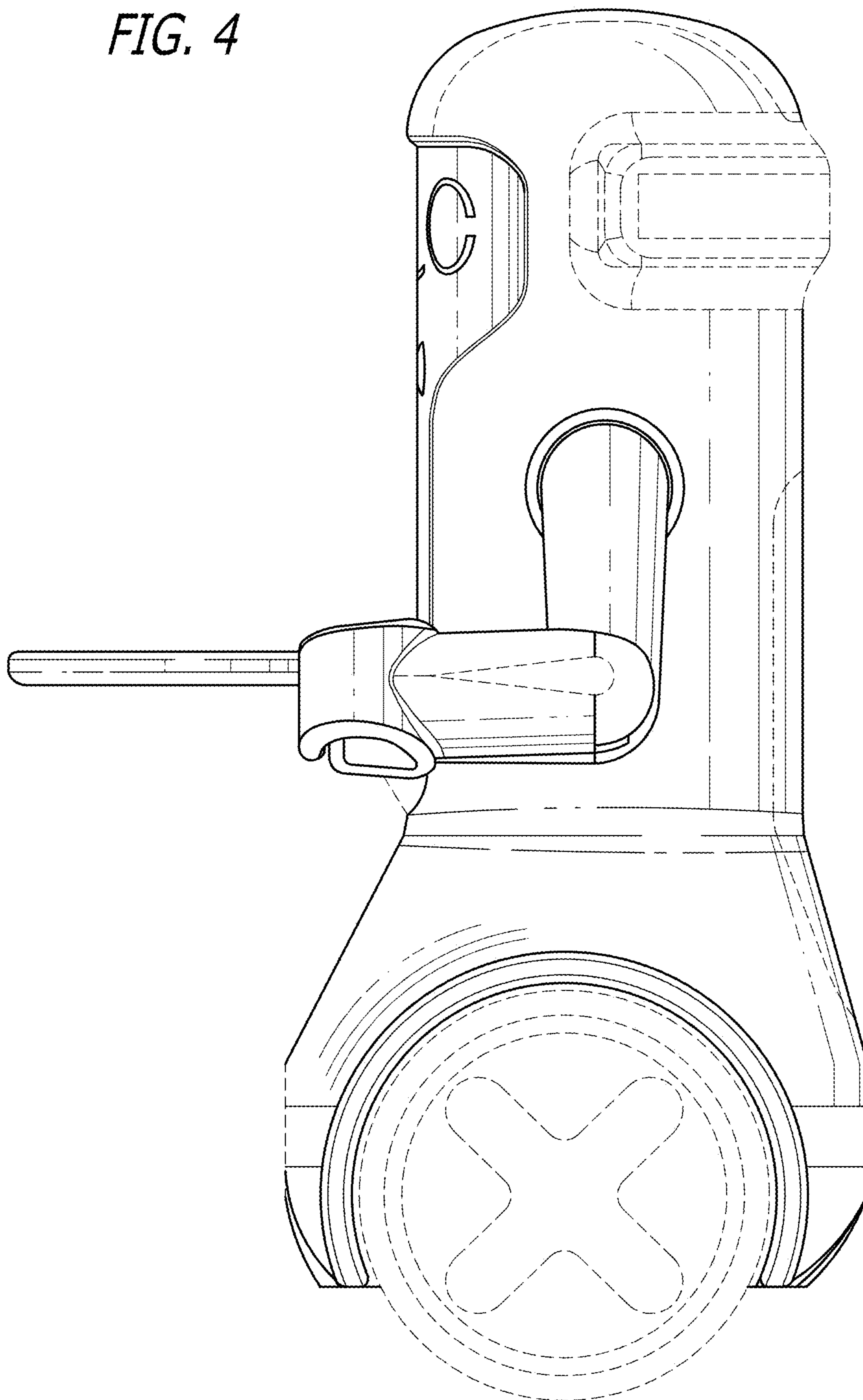
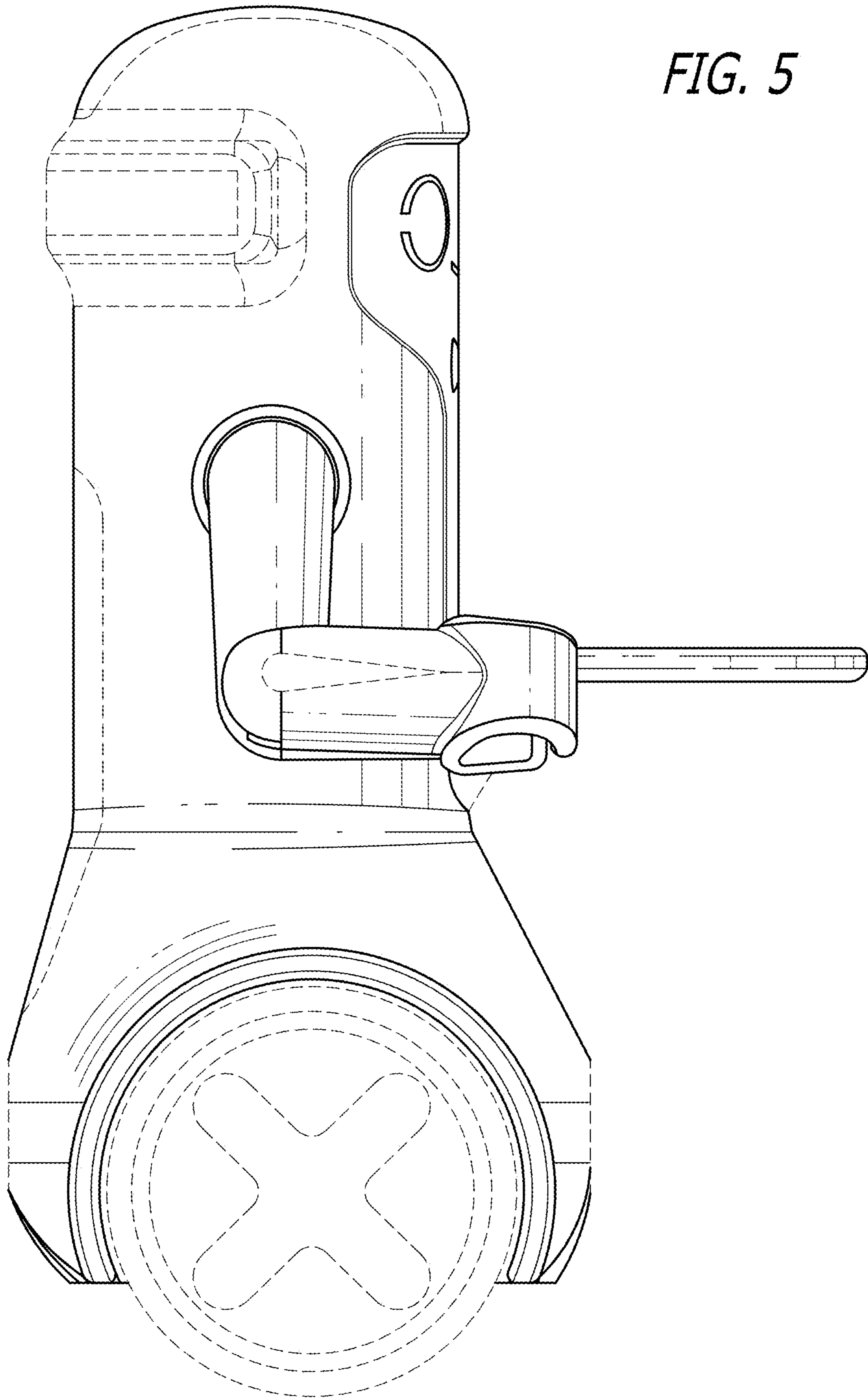


FIG. 5



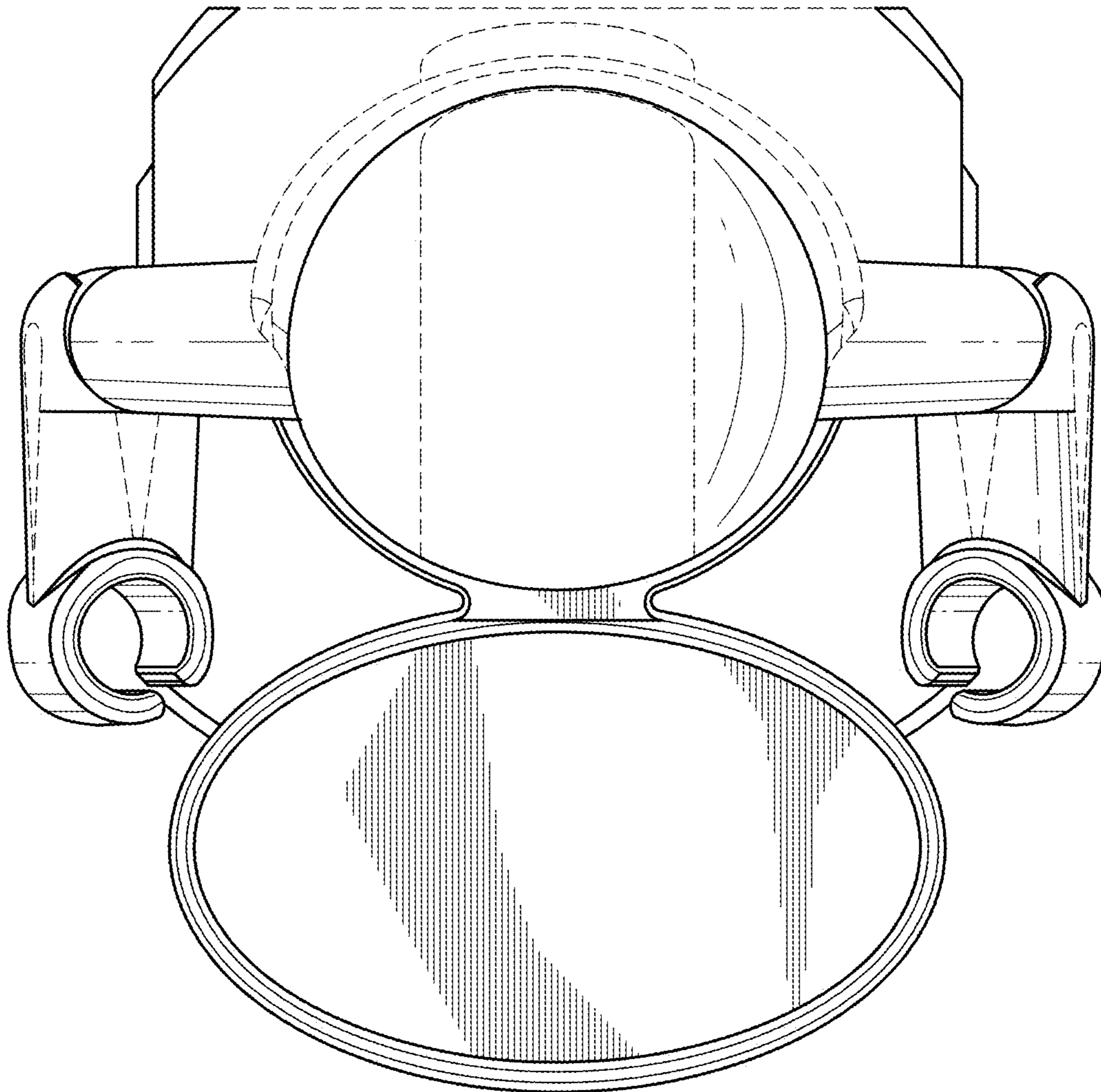


FIG. 6

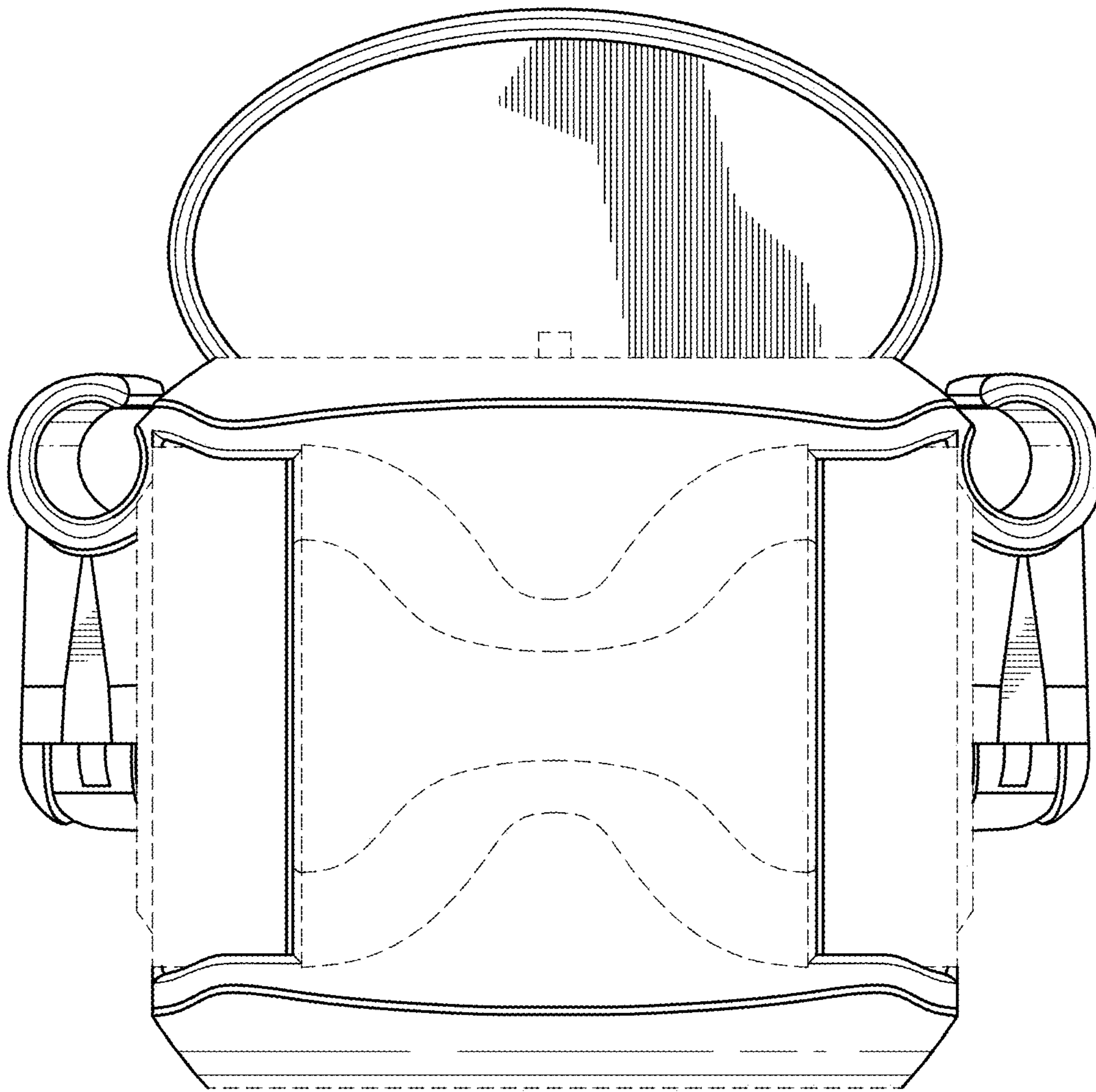


FIG. 7