



US00D883354S

(12) **United States Design Patent** (10) **Patent No.:** **US D883,354 S**  
**Jafarzadeh et al.** (45) **Date of Patent:** **\*\* May 5, 2020**

(54) **DELIVERY ROBOT INCLUDING TOY DELIVERY ROBOT, REPLICA DELIVERY ROBOT AND SCALE DELIVERY ROBOT**

G05B 2219/25145; G05B 2219/39082;  
G05B 2219/39191; G05B 2219/39322;  
G05B 2219/45031

See application file for complete search history.

(71) Applicant: **Postmates Inc.**, San Francisco, CA (US)

(56) **References Cited**

(72) Inventors: **Ario Jafarzadeh**, San Francisco, CA (US); **Ali Haghighat Kashani**, San Francisco, CA (US); **Bastian Jan Michael Lehmann**, San Francisco, CA (US); **Sean Tracey Plaice**, San Francisco, CA (US); **Gadi Amit**, San Mateo, CA (US); **Stephanie Lee**, San Francisco, CA (US); **Erik Keith Lee Askin**, San Francisco, CA (US); **Maiya Naruko Bennett Jensen**, Oakland, CA (US); **Benjamin J H Wong**, San Francisco, CA (US); **Stephen Lynn**, San Francisco, CA (US); **Bee Jay Malveda Murallon**, San Francisco, CA (US); **Cormac Eubanks**, San Francisco, CA (US); **Colin Paul Janssen**, San Francisco, CA (US); **Chace Francis Medeiros**, San Francisco, CA (US); **Nicholas Ryan Fischer**, San Francisco, CA (US)

U.S. PATENT DOCUMENTS

D165,195 S *	11/1951	Schlumbohm .....	D12/86
D369,022 S *	4/1996	Sun .....	D21/495
D401,407 S *	11/1998	Bro .....	D3/271.12
D608,158 S *	1/2010	Beal .....	D7/605
D646,528 S *	10/2011	Stallman .....	D7/605
D668,581 S *	10/2012	Kim .....	D12/86
D682,362 S *	5/2013	Mozeika .....	D21/533
D691,675 S *	10/2013	Kim .....	D21/533

(Continued)

*Primary Examiner* — Khawaja Anwar

(74) *Attorney, Agent, or Firm* — Kilpatrick Townsend & Stockton LLP

(73) Assignee: **Postmates Inc.**, San Francisco, CA (US)

(\*\*) Term: **15 Years**

(57) **CLAIM**

The ornamental design for a delivery robot including toy delivery robot, replica delivery robot and scale delivery robot, as shown and described.

(21) Appl. No.: **29/671,781**

(22) Filed: **Nov. 29, 2018**

(51) **LOC (12) Cl.** ..... **15-99**

(52) **U.S. Cl.**  
USPC ..... **D15/199**

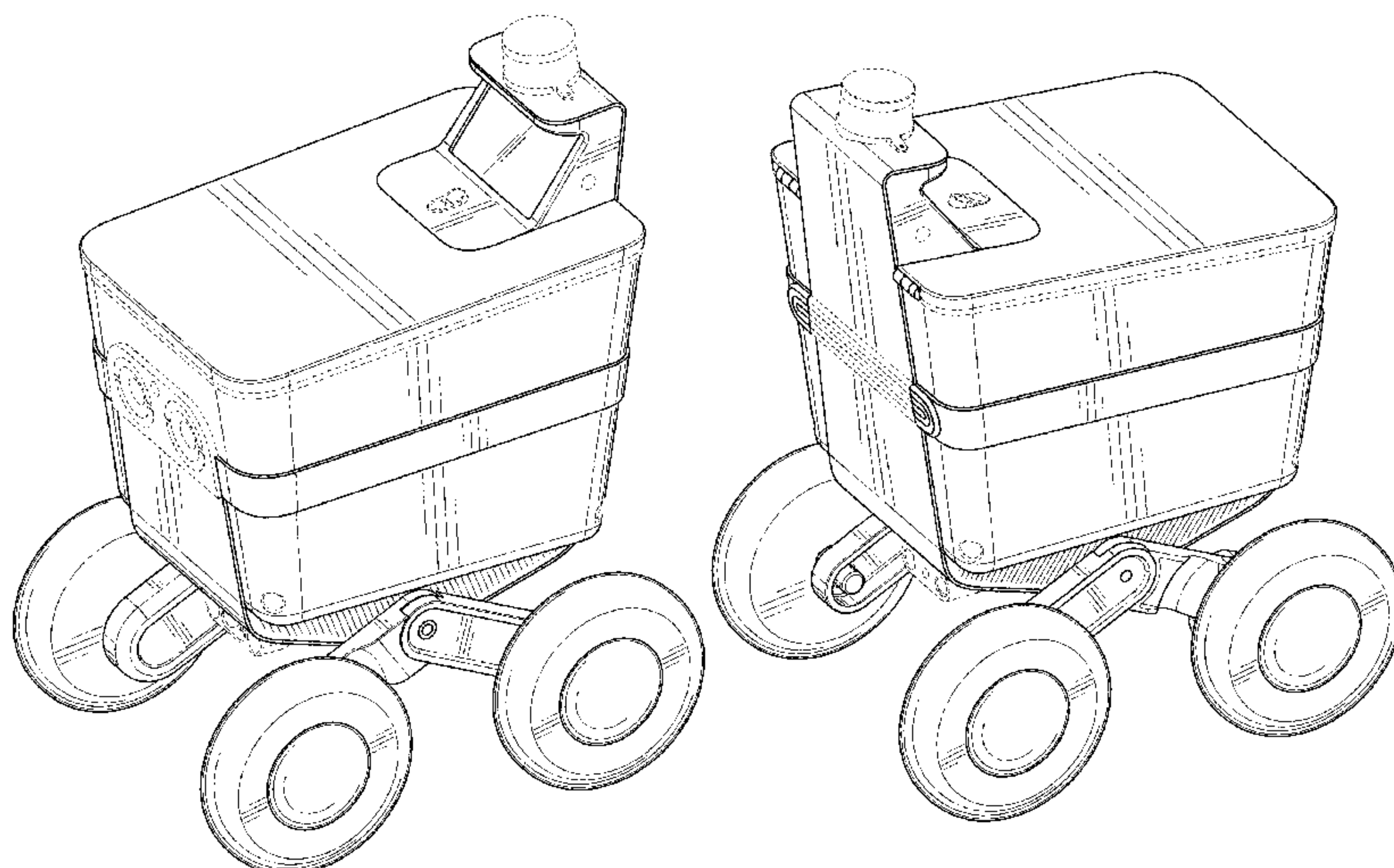
(58) **Field of Classification Search**  
USPC ..... D15/199; D12/128–133  
CPC . B24B 37/34; B60R 2021/0027; B60R 21/00;  
G05B 19/042; G05B 19/402; G05B 19/418; G05B 19/41835; G05B 19/42;

**DESCRIPTION**

FIG. 1 is a front and left perspective view of a delivery robot, showing our new design;  
FIG. 2 is a rear and right perspective view thereof;  
FIG. 3 is a front view thereof;  
FIG. 4 is a rear view thereof;  
FIG. 5 is a left side view thereof;  
FIG. 6 is a right side view thereof; and,  
FIG. 7 is a top view thereof.

The broken lines shown in the drawings are for illustrative purposes only and depict portions that are not a part of the claimed design.

**1 Claim, 7 Drawing Sheets**



(56)

**References Cited**

U.S. PATENT DOCUMENTS

D745,144	S	*	12/2015	Aylmer	.....	D24/128
D818,397	S	*	5/2018	Makela	.....	D12/86
D821,265	S	*	6/2018	Makela	.....	D12/86
D822,124	S	*	7/2018	Bei	.....	D21/533
D824,976	S	*	8/2018	Makela	.....	D15/199
D841,711	S	*	2/2019	Liu	.....	D15/199
D856,849	S	*	8/2019	Makela	.....	D12/86
D864,271	S	*	10/2019	Lai	.....	D15/199
D868,863	S	*	12/2019	Makela	.....	D15/199
D868,864	S	*	12/2019	Lachenmeier	.....	D15/199
2018/0194411	A1	*	7/2018	Liivik	.....	B60G 5/00

\* cited by examiner

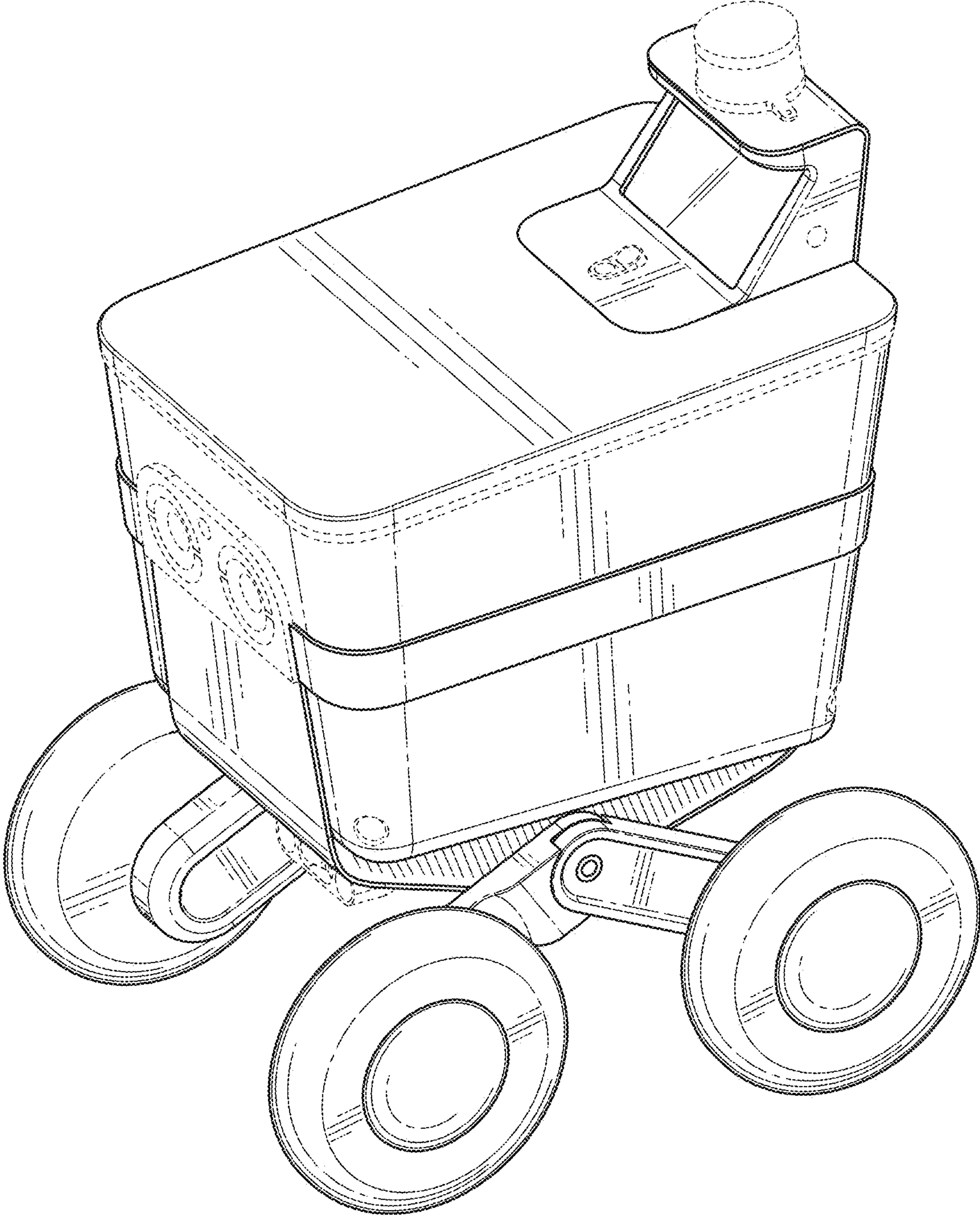


FIG. 1



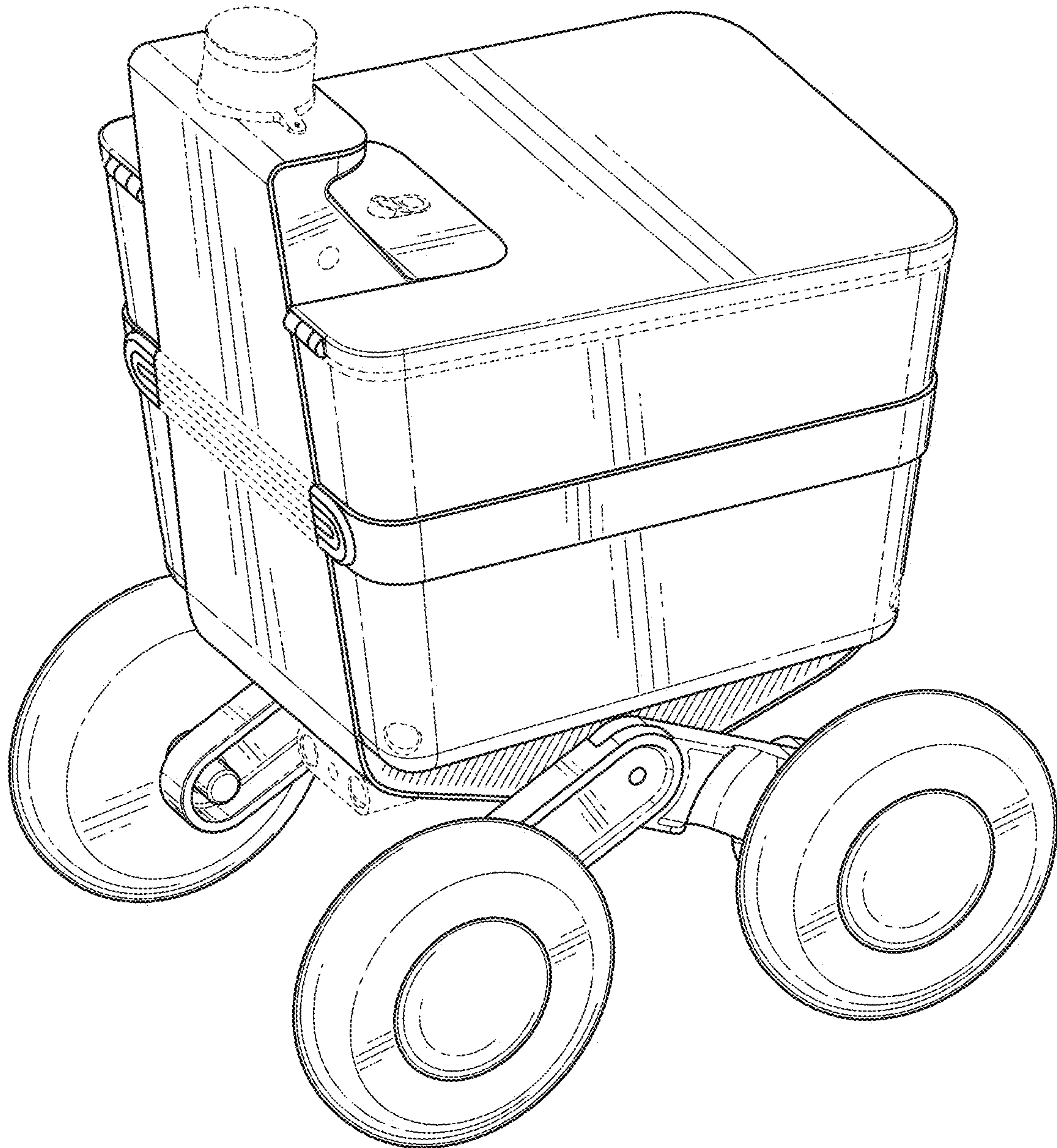


FIG. 2

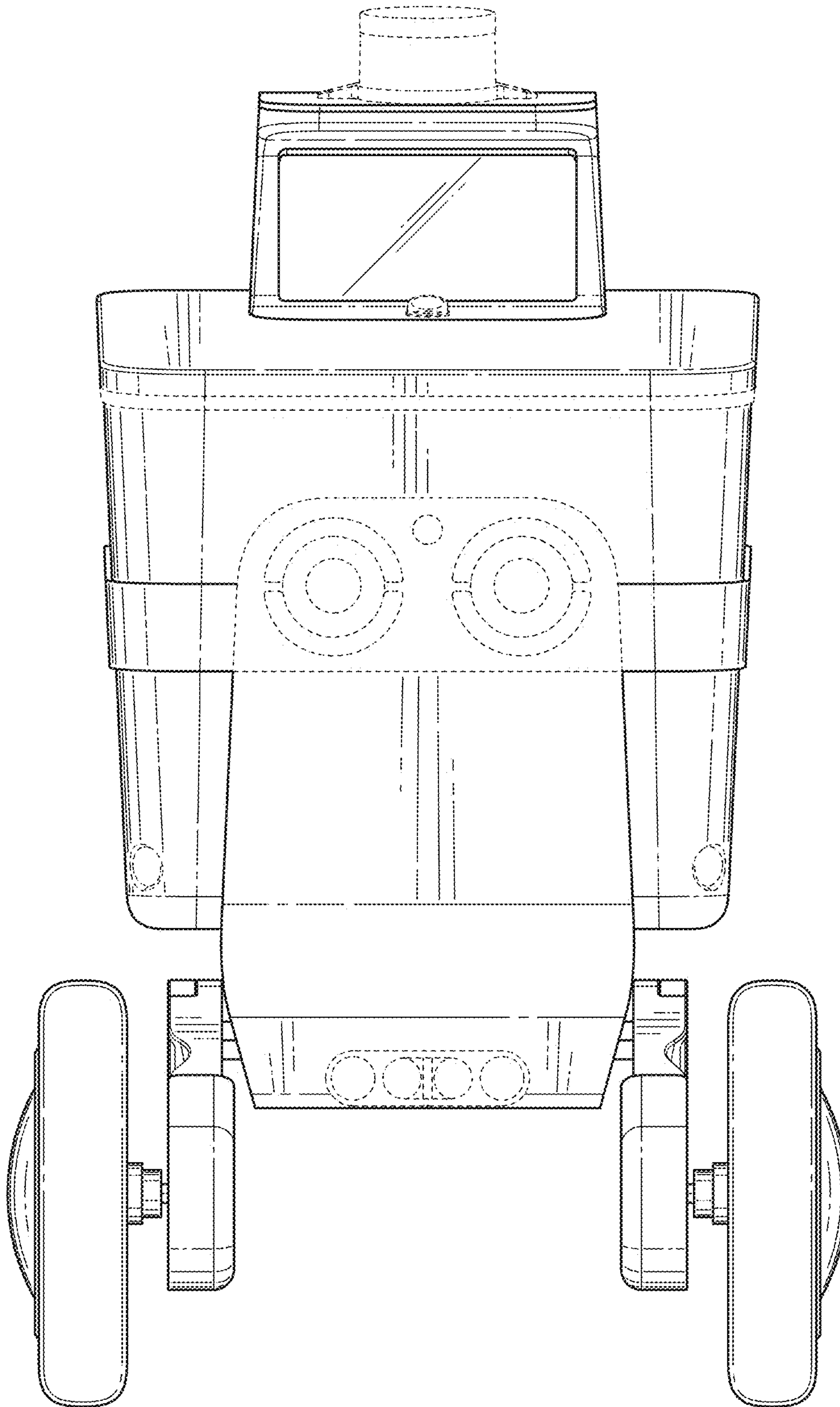


FIG. 3

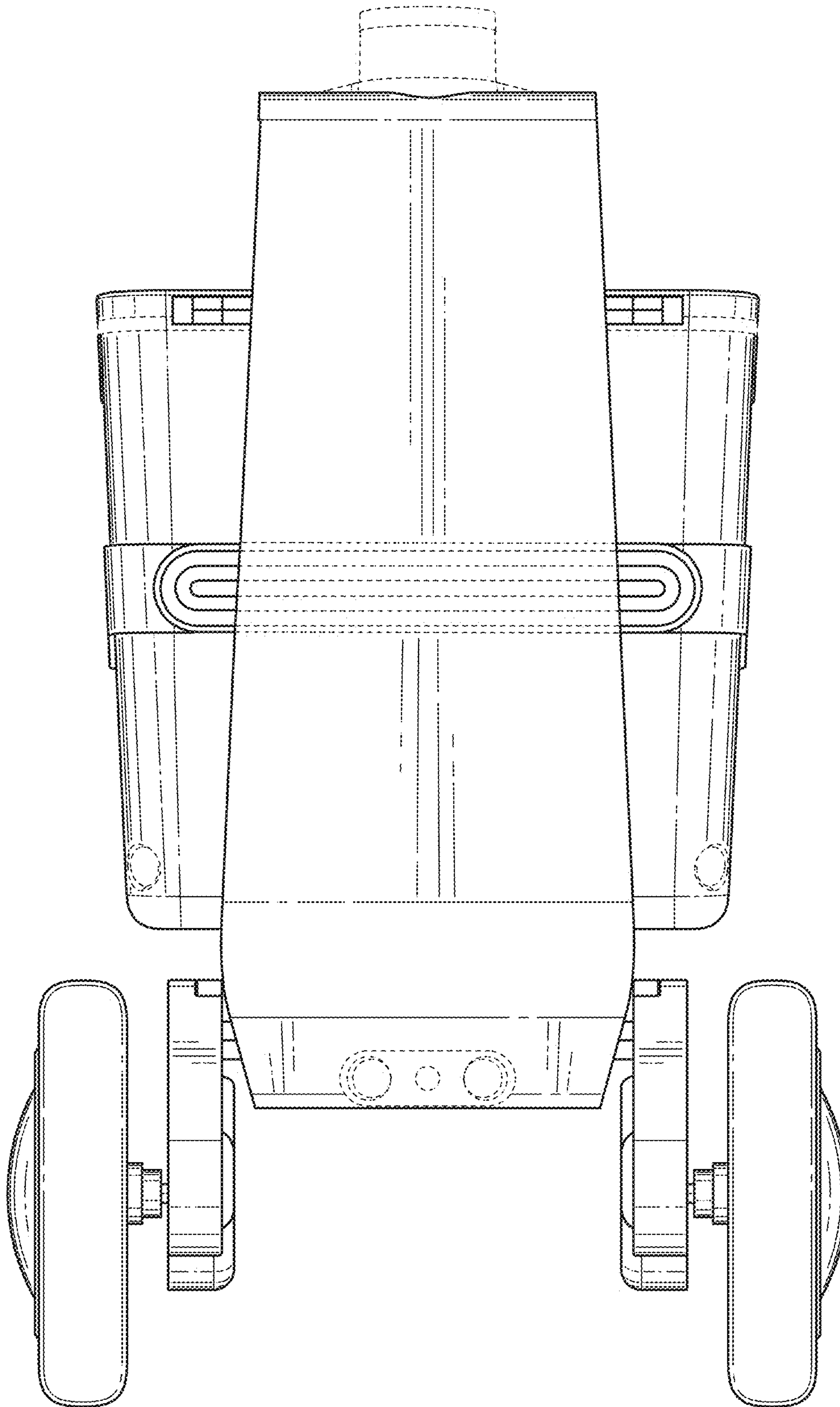


FIG. 4



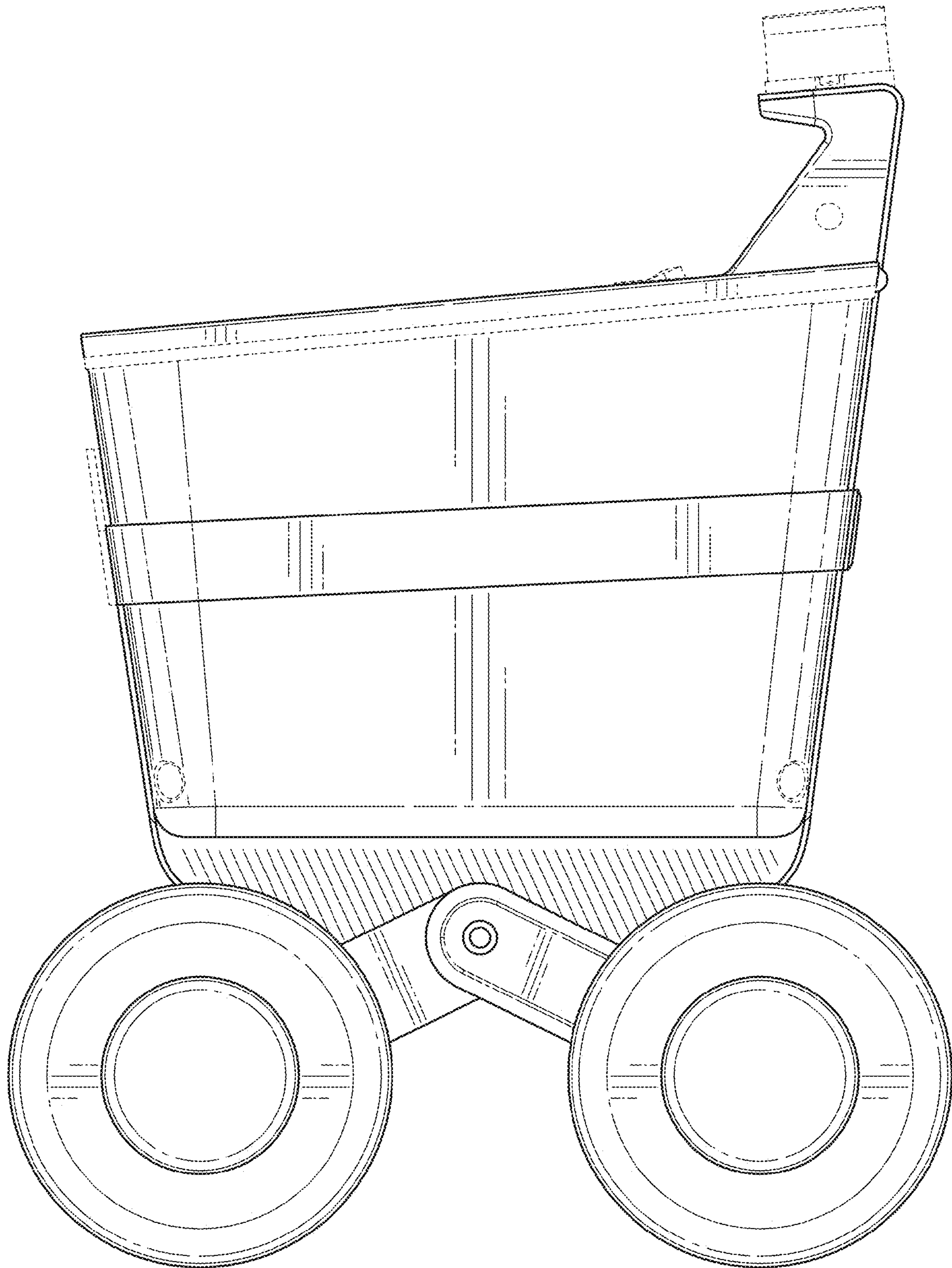


FIG. 5

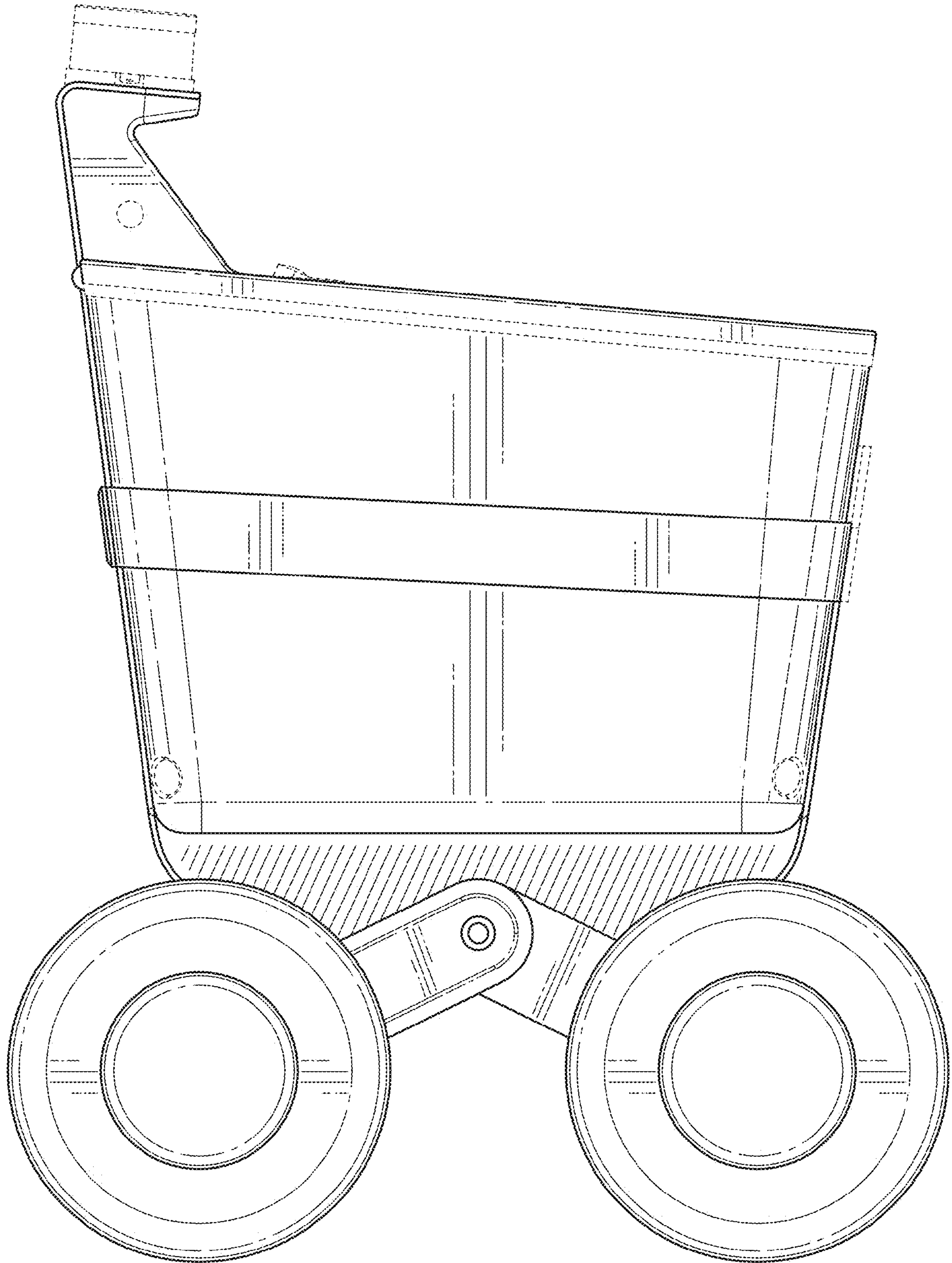


FIG. 6



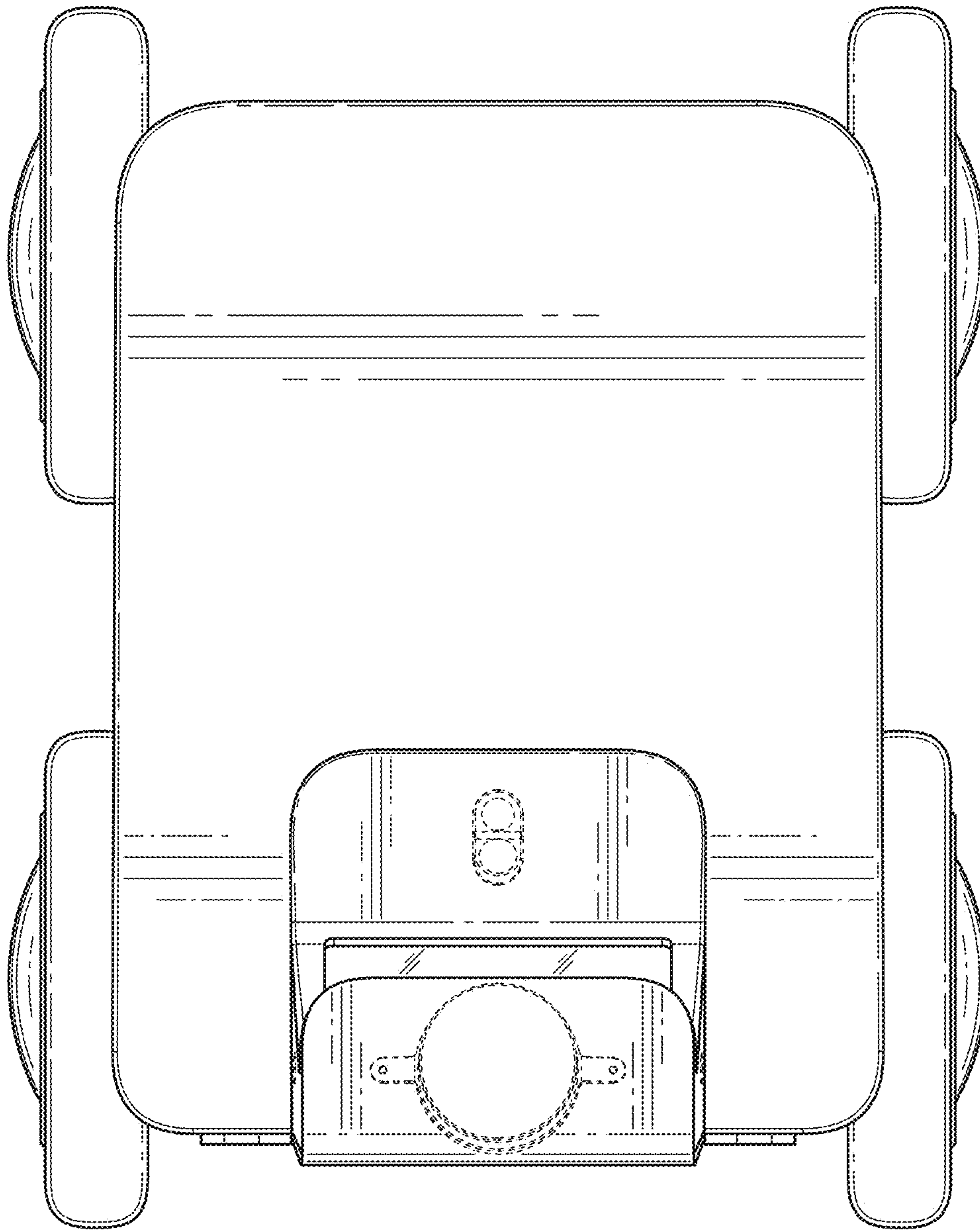


FIG. 7