



US00D883353S

(12) **United States Design Patent** (10) **Patent No.:** **US D883,353 S**  
**Zhang et al.** (45) **Date of Patent:** **\*\* May 5, 2020**

(54) **SUPERMARKET SERVICE ROBOT**

(56) **References Cited**

(71) Applicants: **Beijing JingDong ShangKe Information Technology Co., Ltd.**, Beijing (CN); **Beijing Jingdong Century Trading Co., Ltd.**, Beijing (CN)

U.S. PATENT DOCUMENTS

D725,167 S *	3/2015	Song .....	D15/199
D726,836 S *	4/2015	Song .....	D15/199
D810,167 S *	2/2018	Yang .....	D15/199
D829,250 S *	9/2018	Zilbershtein .....	D15/199
D829,251 S *	9/2018	Wang .....	D15/199
D829,252 S *	9/2018	Wang .....	D15/199
D829,793 S *	10/2018	Wang .....	D15/199
D829,794 S *	10/2018	Wang .....	D15/199
D841,067 S *	2/2019	Camporesi .....	D15/199
D868,864 S *	12/2019	Lachenmeier .....	D15/199
D869,533 S *	12/2019	Kim .....	D15/199

(72) Inventors: **Lei Zhang**, Beijing (CN); **Yahui Song**, Beijing (CN); **Yuanpeng Shui**, Beijing (CN)

\* cited by examiner

(73) Assignees: **BEIJING JINGDONG SHANGKE INFORMATION TECHNOLOGY CO., LTD.**, Beijing (CN); **BEIJING JINGDONG CENTURY TRADING CO., LTD.**, Beijing (CN)

*Primary Examiner* — Khawaja Anwar

(74) *Attorney, Agent, or Firm* — Hamre, Schumann, Mueller & Larson, P.C.

(\*\*) Term: **15 Years**

(57) **CLAIM**

(21) Appl. No.: **29/670,863**

The ornamental design for a supermarket service robot, as shown and described.

(22) Filed: **Nov. 20, 2018**

**DESCRIPTION**

(30) **Foreign Application Priority Data**

Jun. 20, 2018 (CN) ..... 2018 3 0317356

(51) **LOC (12) Cl.** ..... **15-99**

(52) **U.S. Cl.**  
USPC ..... **D15/199**

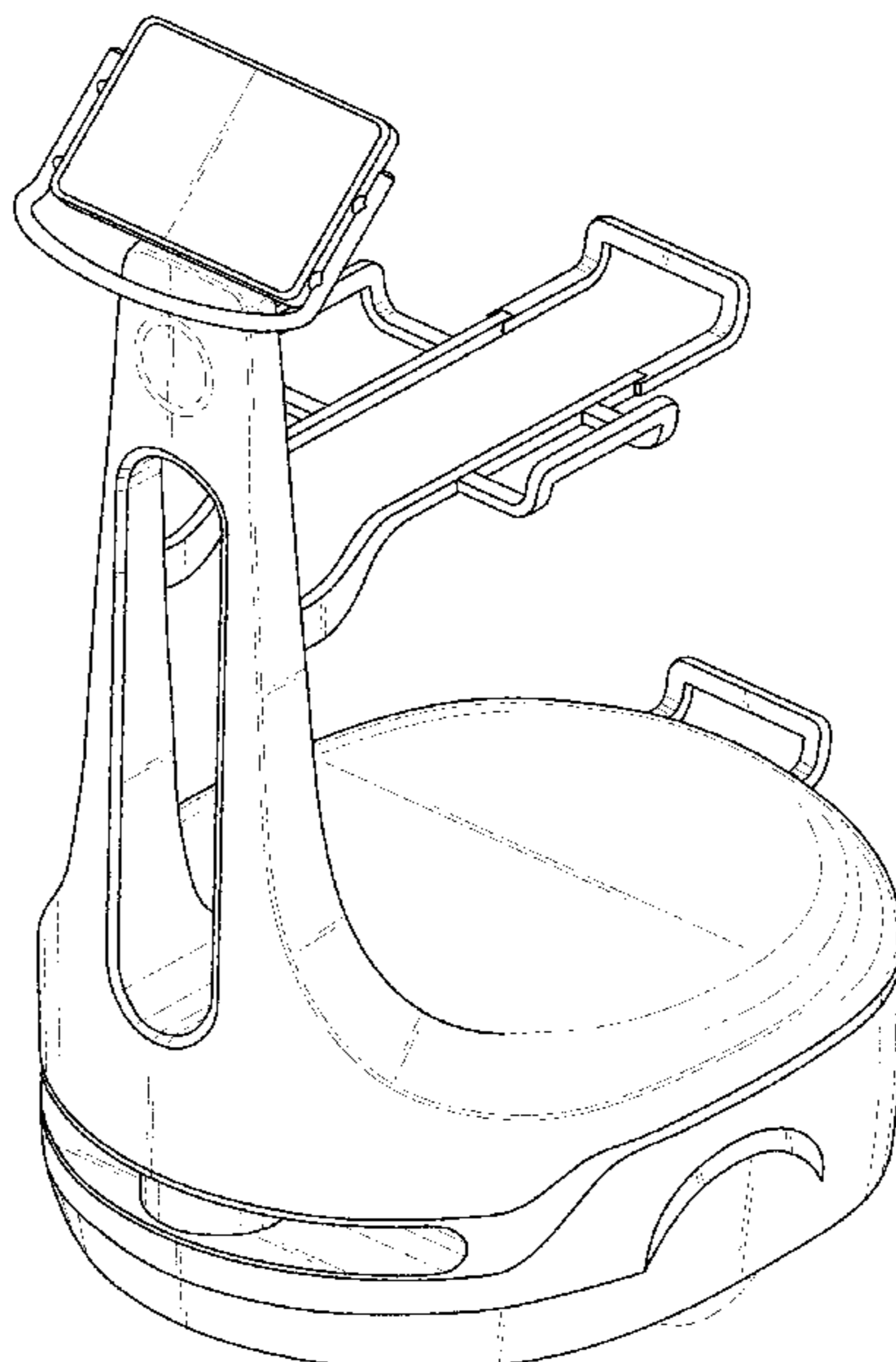
(58) **Field of Classification Search**  
USPC ..... D15/199; D12/128–133  
CPC . B24B 37/34; B60R 2021/0027; B60R 21/00;  
G05B 19/042; G05B 19/402; G05B 19/418;  
G05B 19/41835; G05B 19/42; G05B 2219/25145;  
G05B 2219/39082; G05B 2219/39191; G05B 2219/39322;  
G05B 2219/45031

FIG. 1 is a front, top, right-side perspective view of a supermarket service robot;  
FIG. 2 is a back, top, right-side perspective view thereof;  
FIG. 3 is a front, right-side perspective view thereof;  
FIG. 4 is a front elevational view thereof;  
FIG. 5 is a rear elevational view thereof;  
FIG. 6 is a left side elevational view thereof;  
FIG. 7 is a right side elevational view thereof; and,  
FIG. 8 is a top plan view thereof.

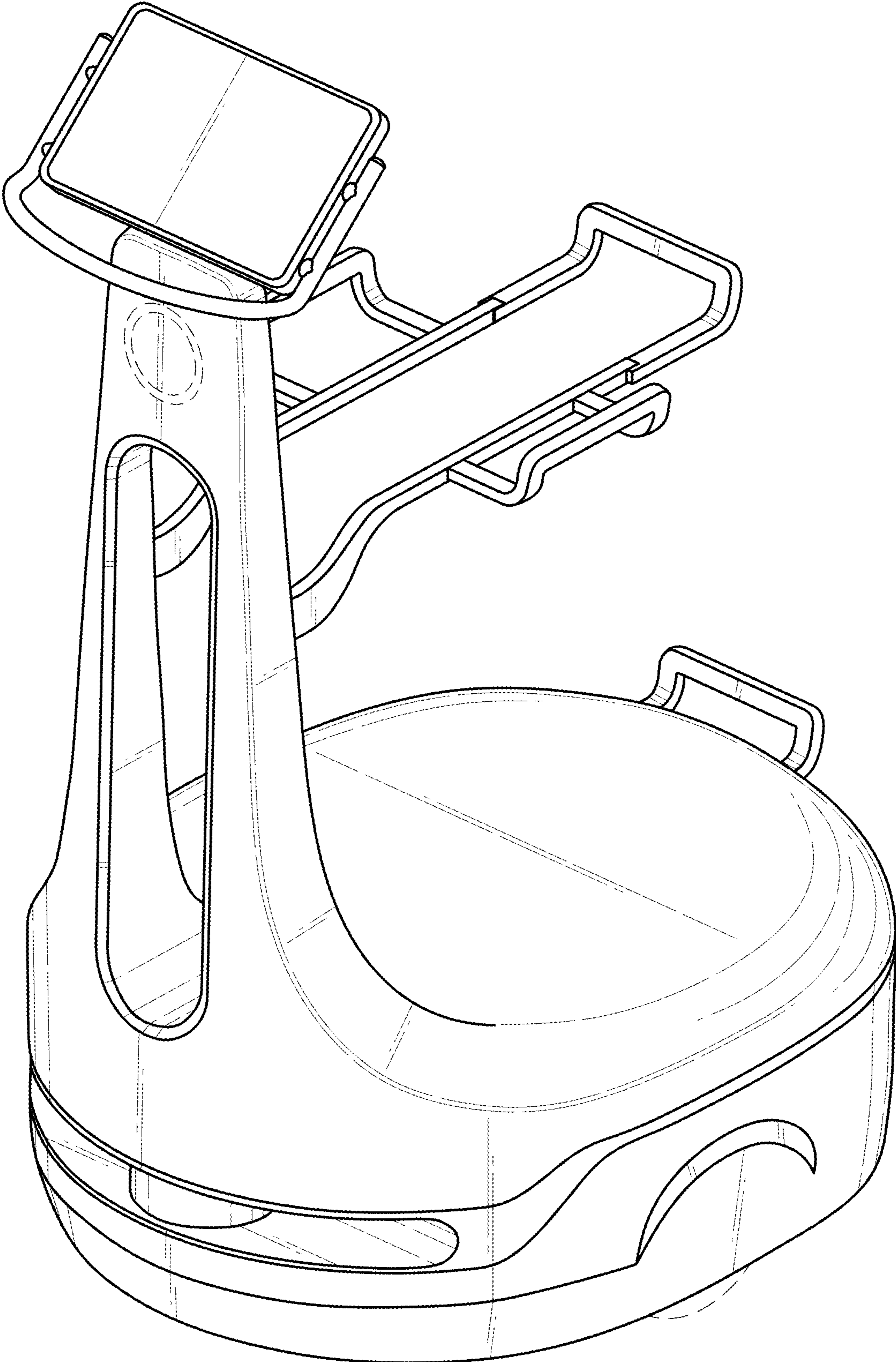
The bottom plan view of the robot is not seen when the supermarket service robot is in use, and is thus omitted. The broken lines showing in the figures are for illustrative purposes only and form no part of the claimed design.

See application file for complete search history.

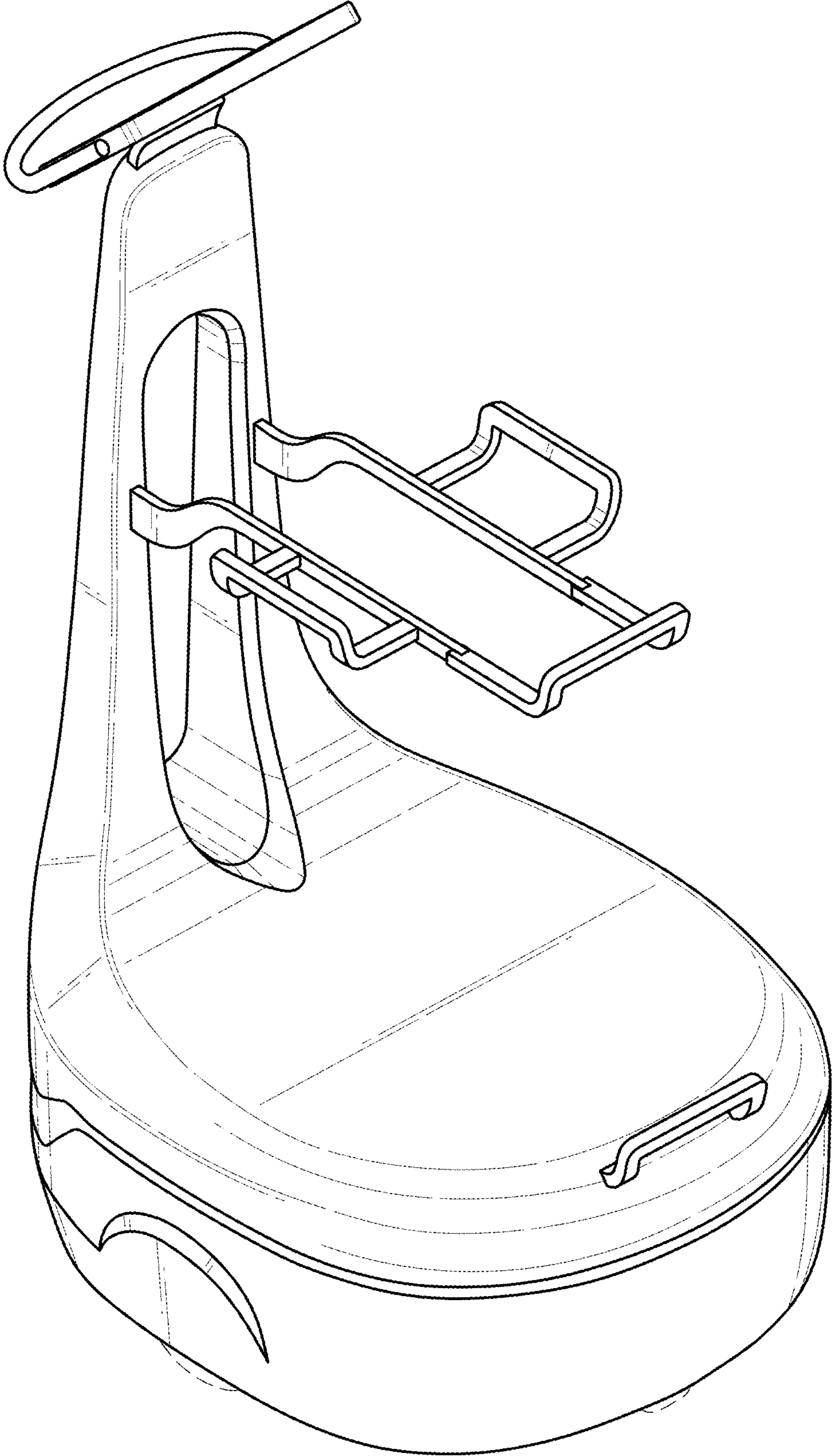
**1 Claim, 8 Drawing Sheets**



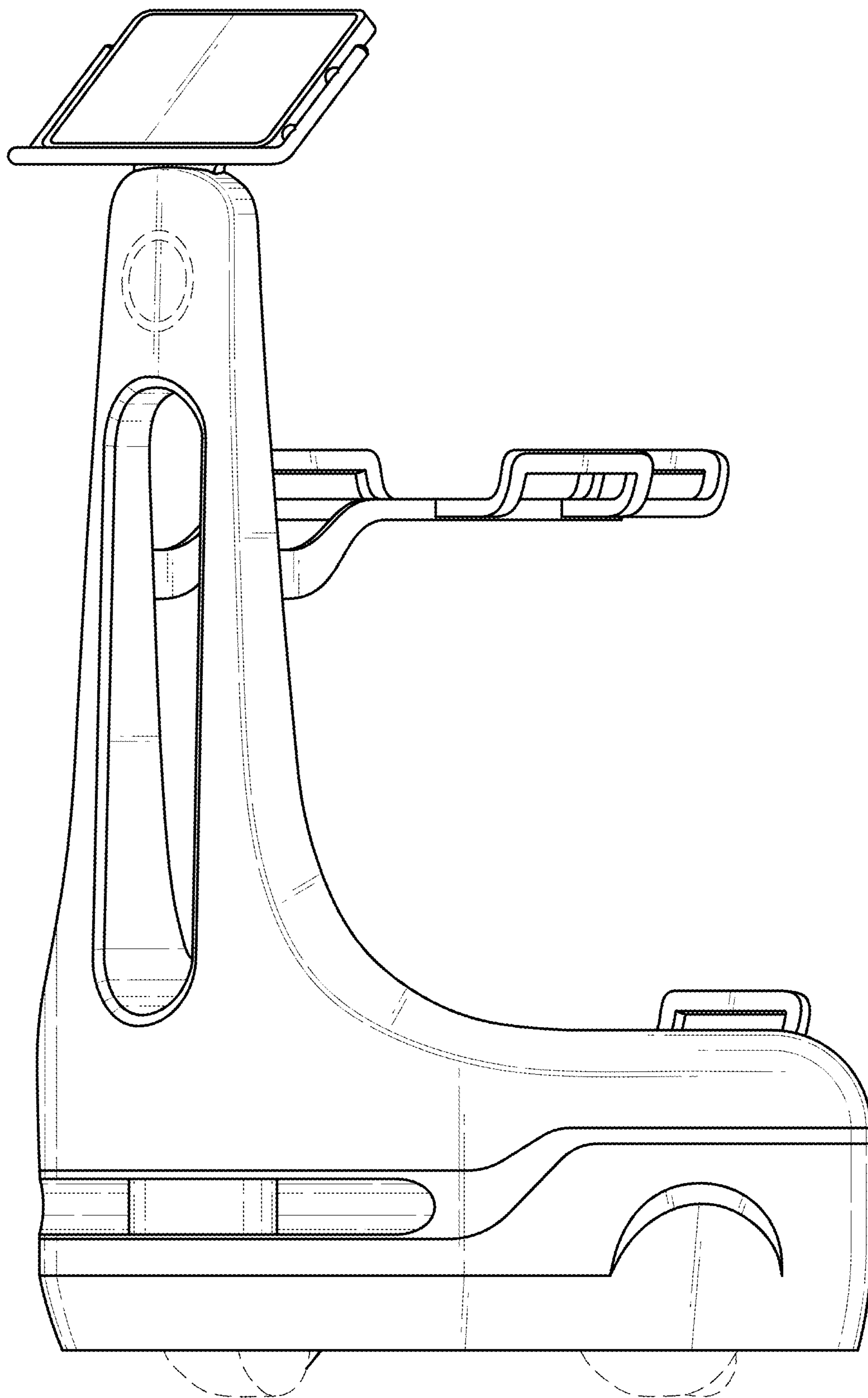
*Fig. 1*



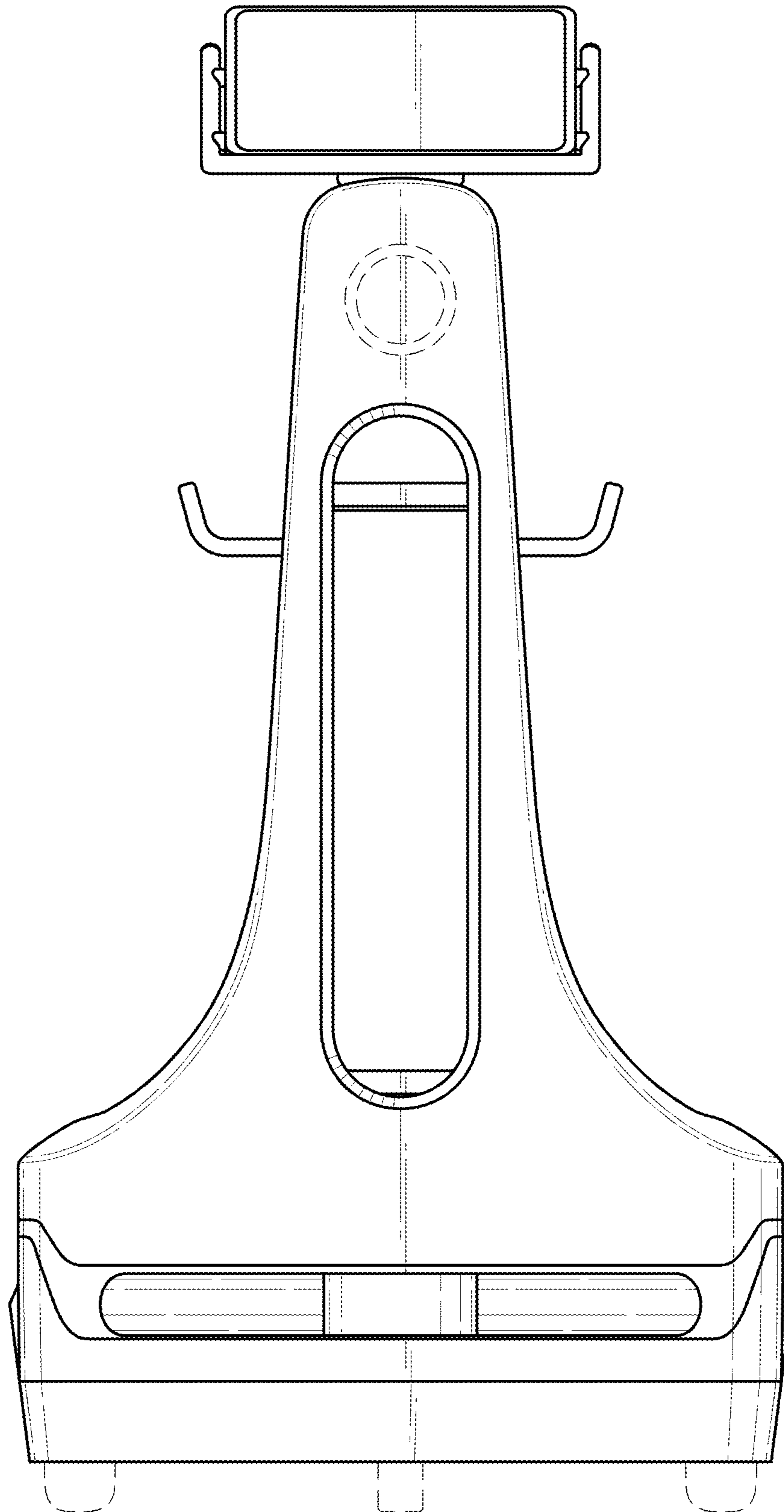
*Fig. 2*



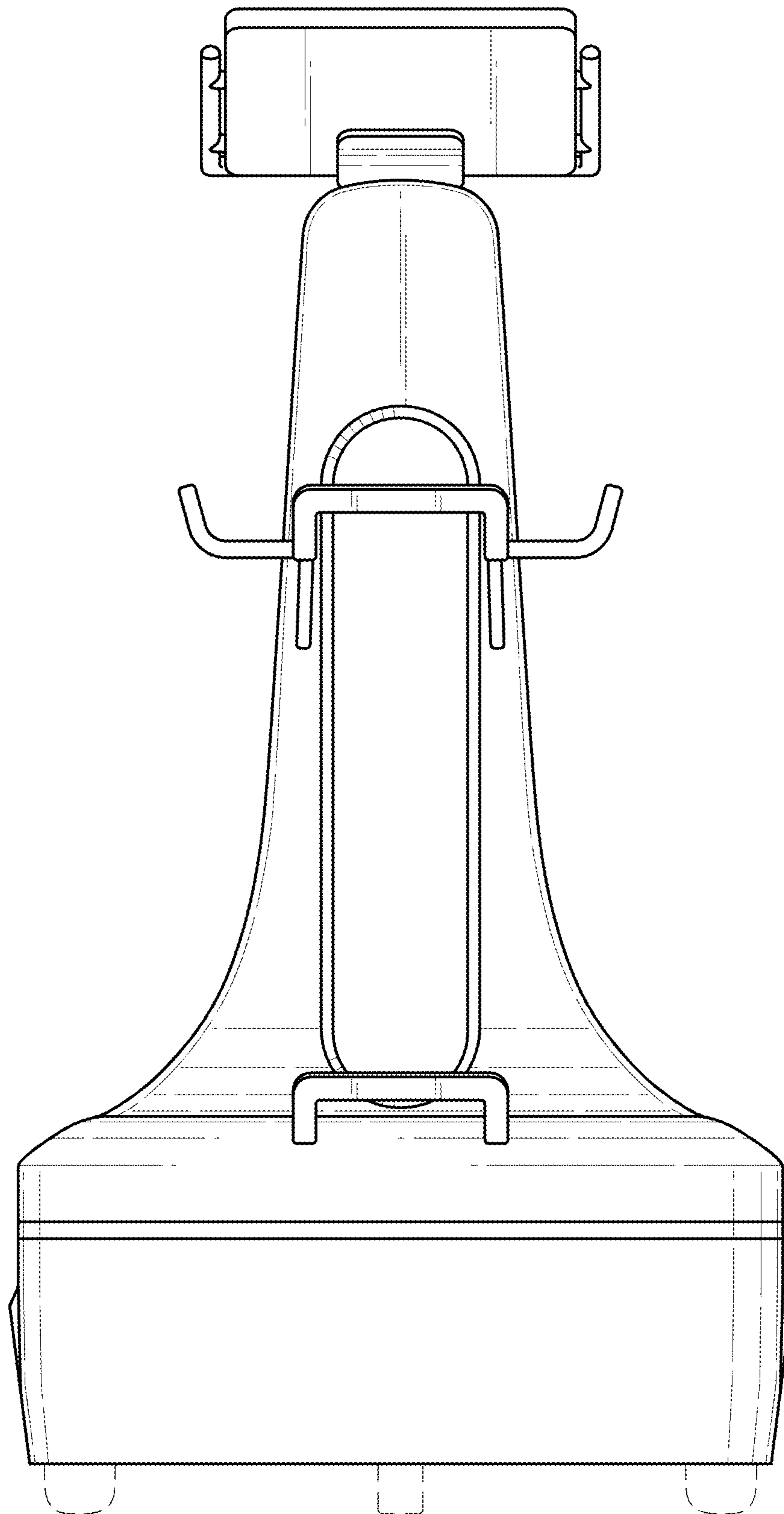
*Fig. 3*



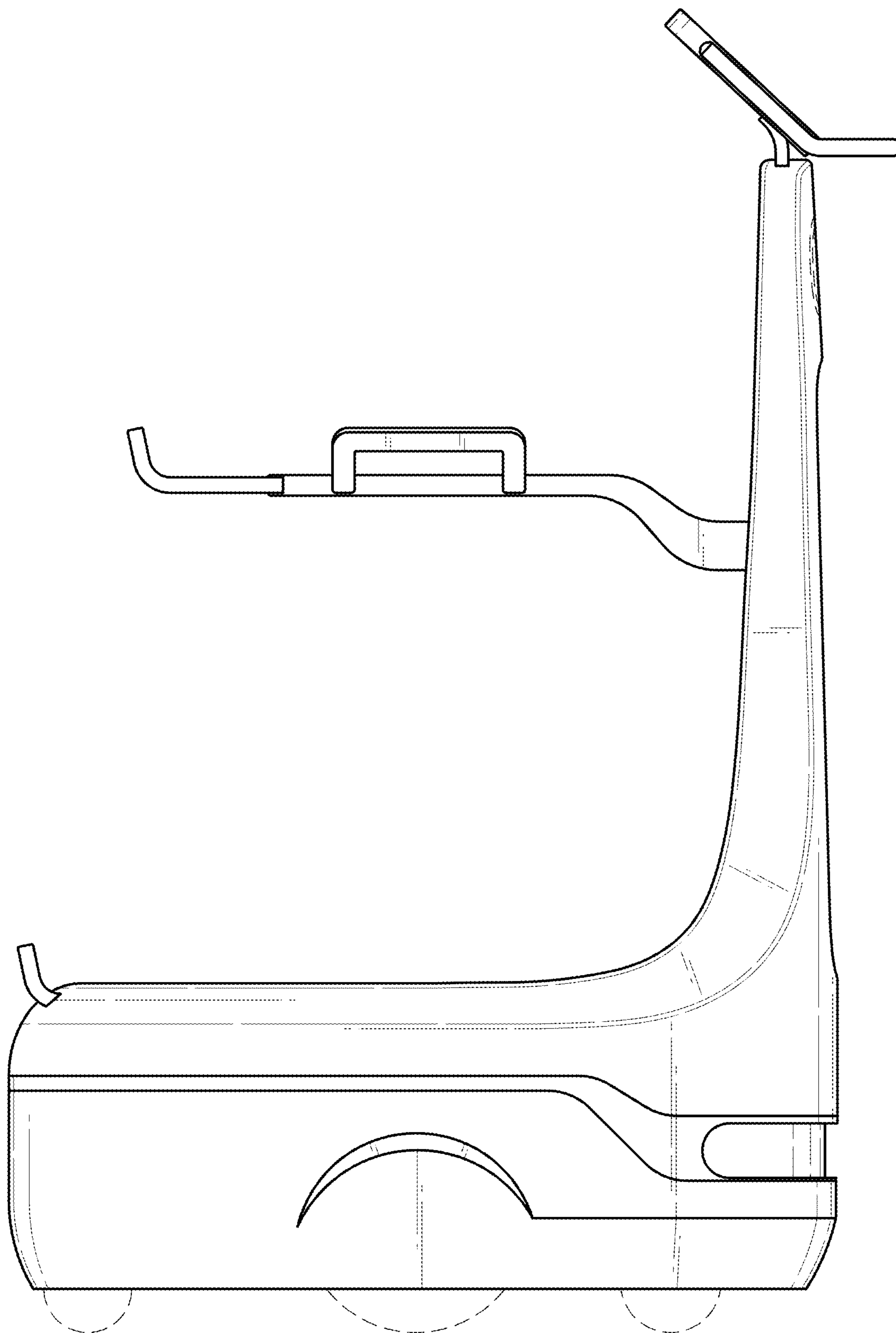
*Fig. 4*



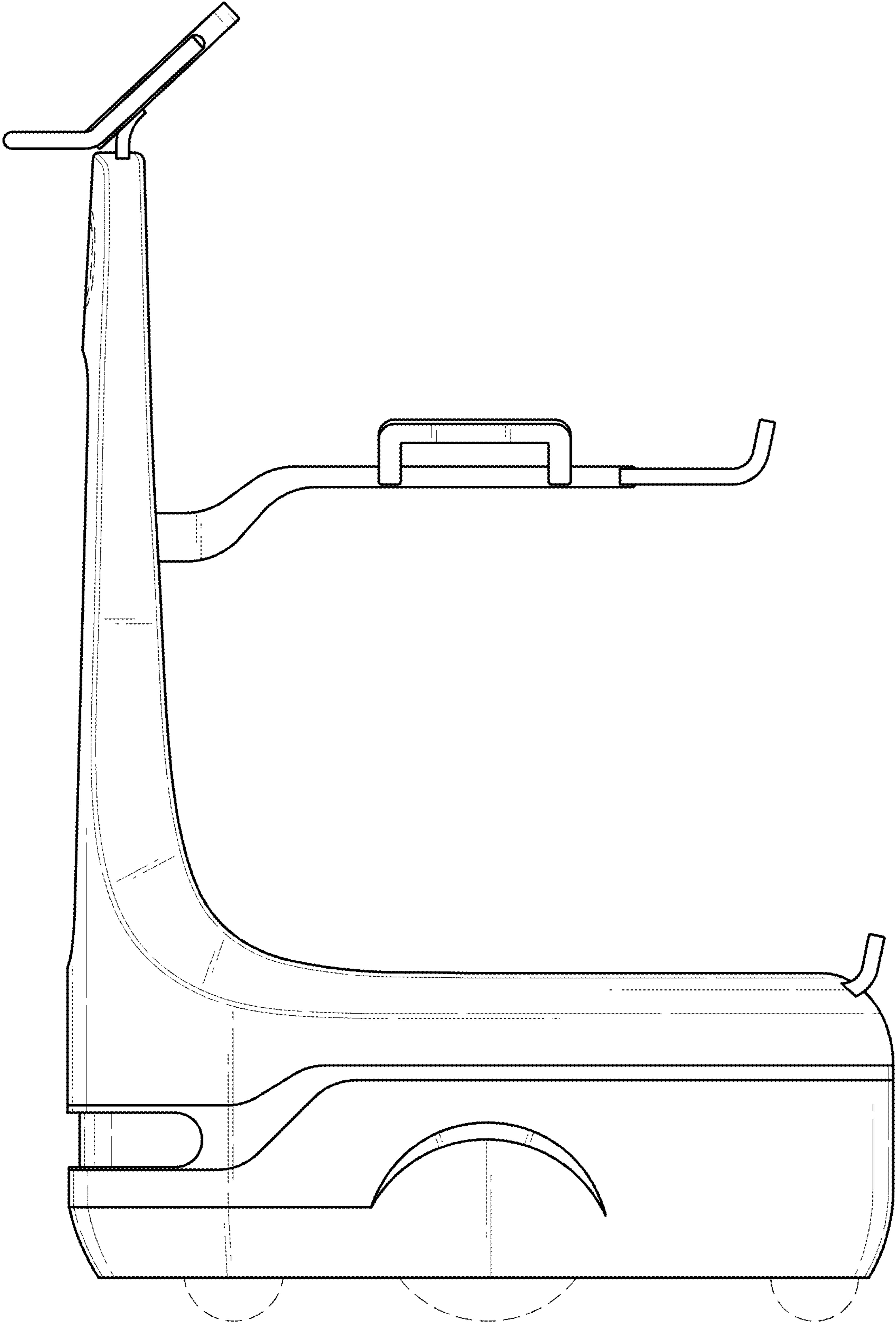
*Fig. 5*



*Fig. 6*



*Fig. 7*





*Fig. 8*

