



US00D883350S

(12) **United States Design Patent**
Toldo et al.

(10) **Patent No.:** **US D883,350 S**

(45) **Date of Patent:** **** May 5, 2020**

(54) **ABRASIVE FILE**

(71) Applicant: **HILTI AKTIENGESELLSCHAFT**,
Schaan (LI)

(72) Inventors: **Cliff Toldo**, Vaduz (LI); **Marcel Sonderegger**, Balgach (CH); **Joshua Truschner**, Triesen (LI)

(73) Assignee: **Hilti Aktiengesellschaft**, Schaan (LI)

(**) Term: **15 Years**

(21) Appl. No.: **35/505,298**

(22) Filed: **Jan. 11, 2018**

(80) **Hague Agreement Data**

Int. Filing Date: **Jan. 11, 2018**

Int. Reg. No.: **DM/100568**

Int. Reg. Date: **Jan. 11, 2018**

Int. Reg. Pub. Date: **Jul. 13, 2018**

(30) **Foreign Application Priority Data**

Aug. 3, 2017 (EM) 004132587

(51) **LOC (12) Cl.** **15-09**

(52) **U.S. Cl.**
USPC **D15/139**

(58) **Field of Classification Search**

USPC D15/126, 139; D8/62, 70, 90

CPC D23B 51/0406; D23B 51/048

See application file for complete search history.

(56) **References Cited**

U.S. PATENT DOCUMENTS

D210,975 S * 5/1968 Blau D15/139

D342,270 S * 12/1993 Kwang D15/139

6,033,295 A * 3/2000 Fisher B24D 3/06

451/540

D438,219 S * 2/2001 Brutscher D15/139

D456,425 S * 4/2002 Kim D15/139

D458,619 S * 6/2002 Lee D15/139

D460,767 S * 7/2002 Kim D15/139

6,564,887 B2 * 5/2003 Hong B28D 1/041

175/395

6,615,816 B2 * 9/2003 Ogata B24D 3/34

125/15

6,626,167 B2 * 9/2003 Kim B24D 5/123

125/15

D481,045 S * 10/2003 Ahn D15/139

D512,293 S * 12/2005 Koike D8/70

(Continued)

Primary Examiner — Deanna L Pratt

(74) *Attorney, Agent, or Firm* — Crowell & Moring LLP

(57) **CLAIM**

The ornamental design for abrasive file, as shown and described.

DESCRIPTION

2, 8, and 14 Abrasive file

2.1 : Perspective

2.2 : Front

2.3 : Back

2.4 : Top

2.5 : Bottom

2.6 : Left

2.7 : Right

8.1 : Perspective

8.2 : Front

8.3 : Back

8.4 : Top

8.5 : Bottom

8.6 : Left

8.7 : Right

14.1 : Perspective

14.2 : Front

14.3 : Back

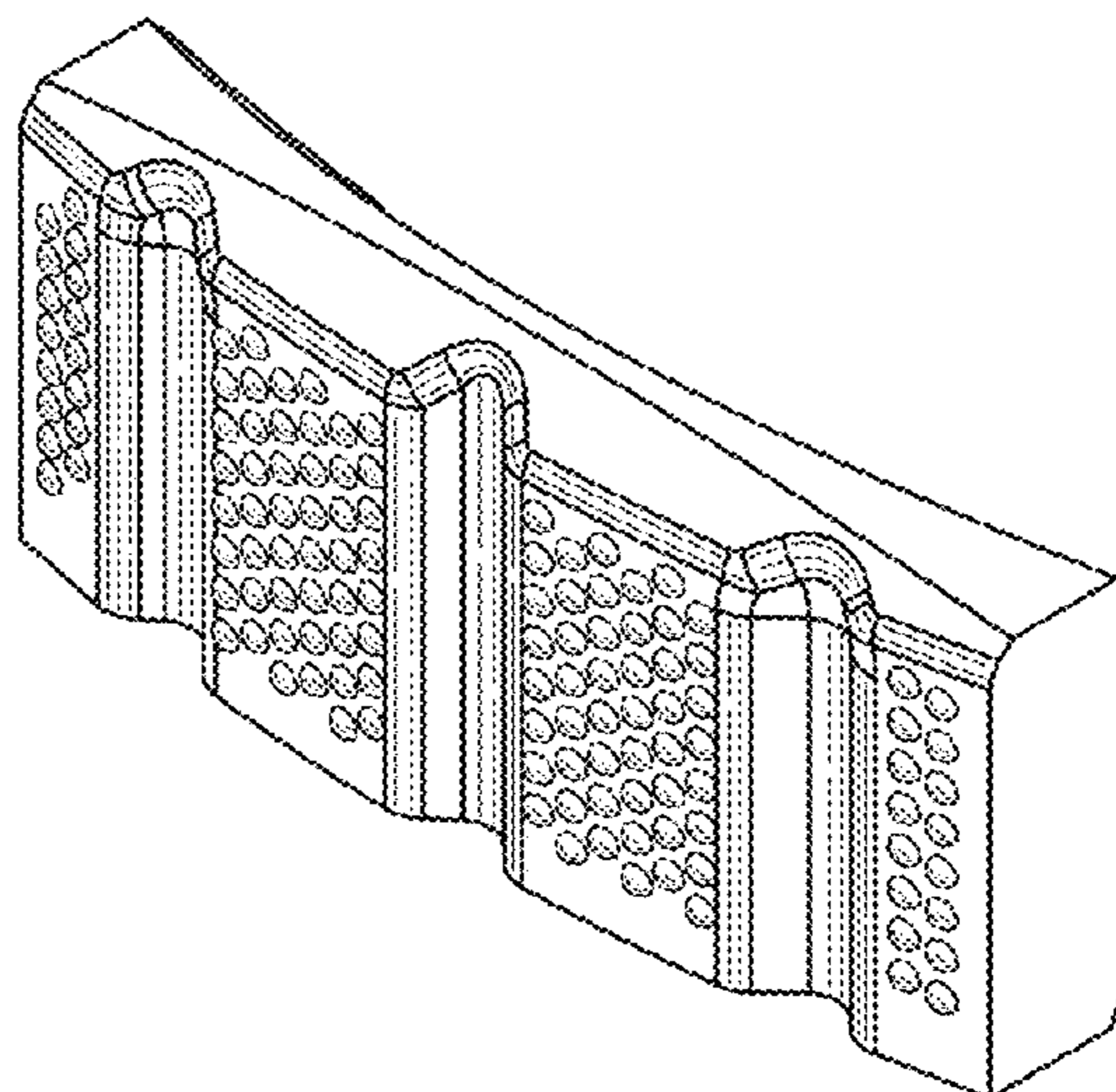
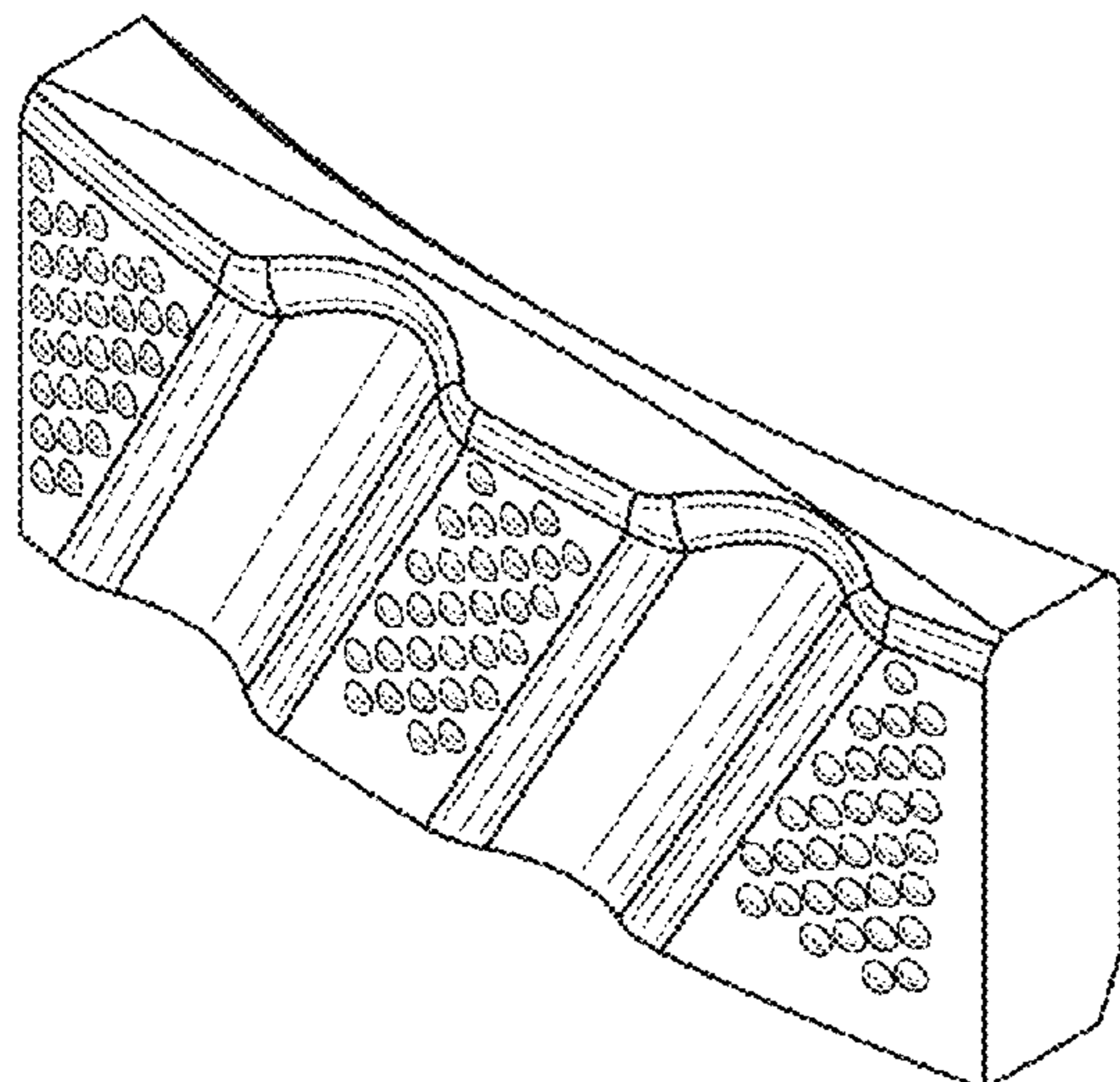
14.4 : Top

14.5 : Bottom

14.6 : Left

14.7 : Right

1 Claim, 21 Drawing Sheets



(56)

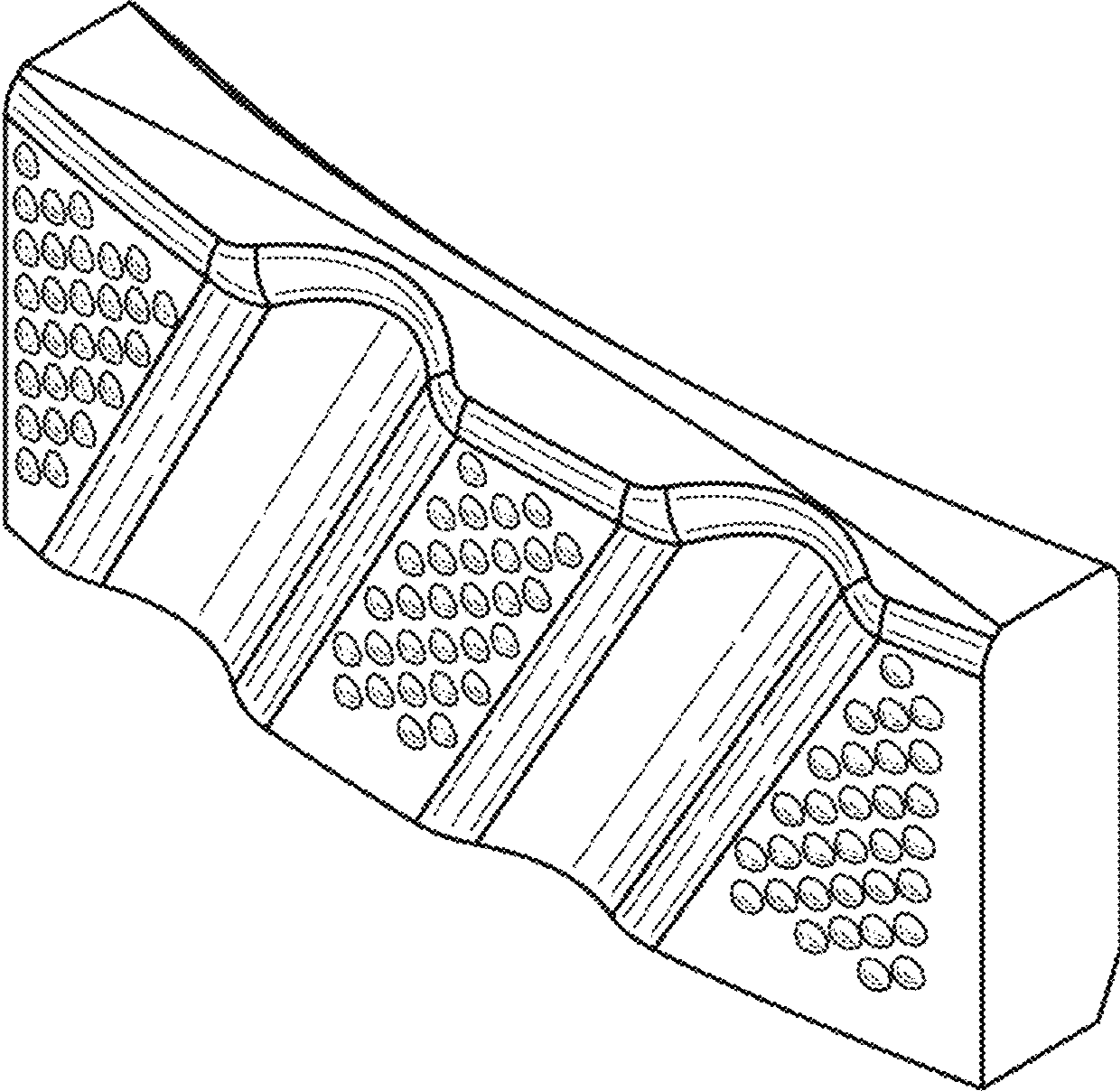
References Cited

U.S. PATENT DOCUMENTS

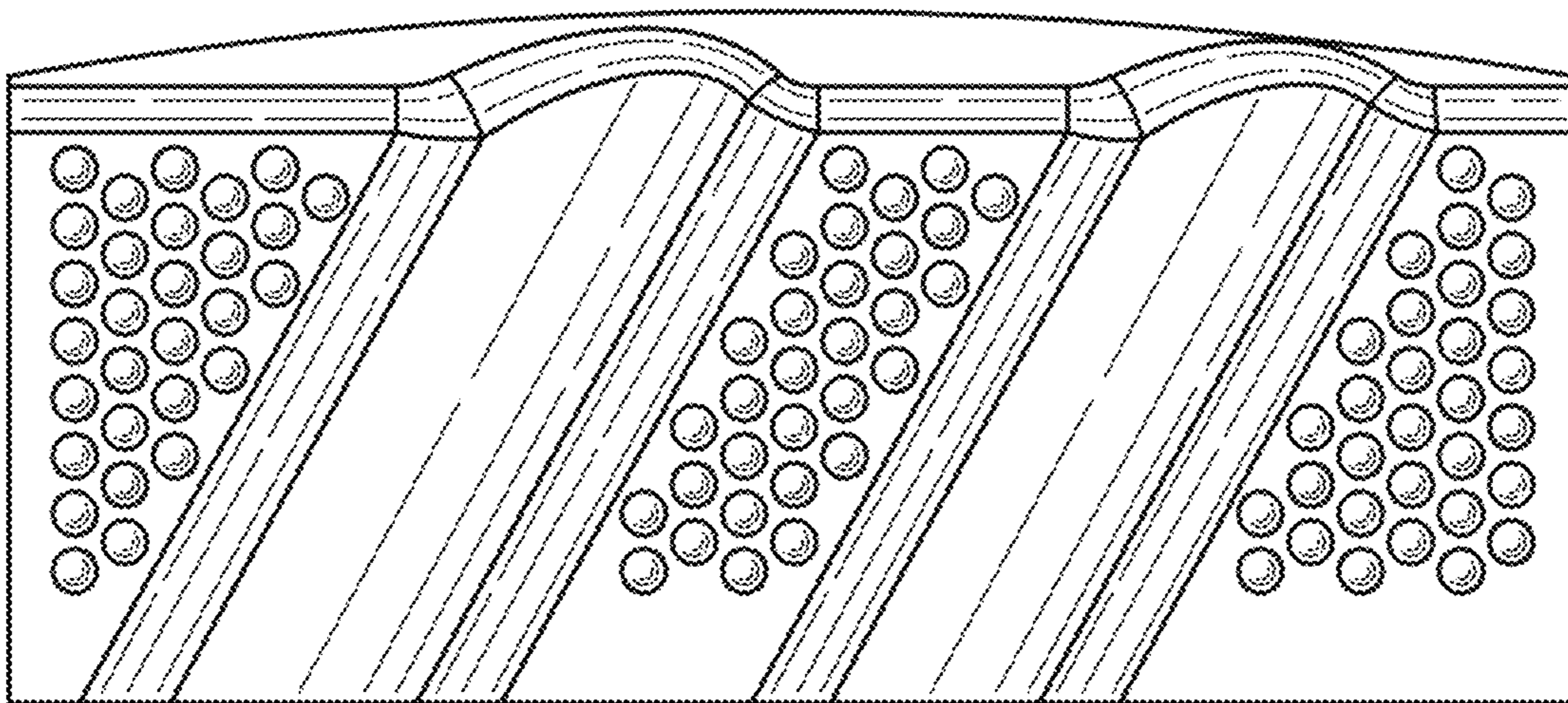
D513,952 S * 1/2006 Lee D8/70
D551,269 S * 9/2007 Burke, III D15/139
D585,717 S * 2/2009 Aigner D8/70
D620,035 S * 7/2010 Eades D15/139
D622,745 S * 8/2010 Pearce D15/139
D630,656 S * 1/2011 Lambert D15/139
D643,447 S * 8/2011 Barnes D15/126
D656,168 S * 3/2012 Omi D15/139
D698,375 S * 1/2014 Gosamo D15/126
D700,921 S * 3/2014 Bellantoni D15/139
D706,845 S * 6/2014 Richter D15/139
D708,650 S * 7/2014 Richter D15/139
D710,407 S * 8/2014 Wiand D15/126
D717,842 S * 11/2014 Hoang D15/133
D752,662 S * 3/2016 Hoop D15/138
9,687,916 B2 * 6/2017 Hoop B23B 51/0406
D794,101 S * 8/2017 Ryu D15/139
D794,102 S * 8/2017 Ryu D15/139
9,821,379 B2 * 11/2017 Hoop B23B 51/0406
D809,030 S * 1/2018 Hoop D15/138
D811,455 S * 2/2018 Hoop D15/138
D823,907 S * 7/2018 Hoop D15/138
10,065,252 B2 * 9/2018 Hoop B23B 51/0406
10,081,062 B2 * 9/2018 Hoop B28D 1/041
D831,082 S * 10/2018 Hoop D15/138
10,201,858 B2 * 2/2019 Hoop B28D 1/041
10,201,860 B2 * 2/2019 Hoop B28D 1/041
D848,496 S * 5/2019 Maeta D15/139
2005/0016775 A1 * 1/2005 Hiranuma B28D 1/041
175/403
2005/0279533 A1 * 12/2005 Corica B23D 65/00
175/405.1
2010/0200304 A1 * 8/2010 Gosamo B23B 51/0466
175/405.1
2018/0001512 A1 * 1/2018 Mueller B23D 61/18

* cited by examiner

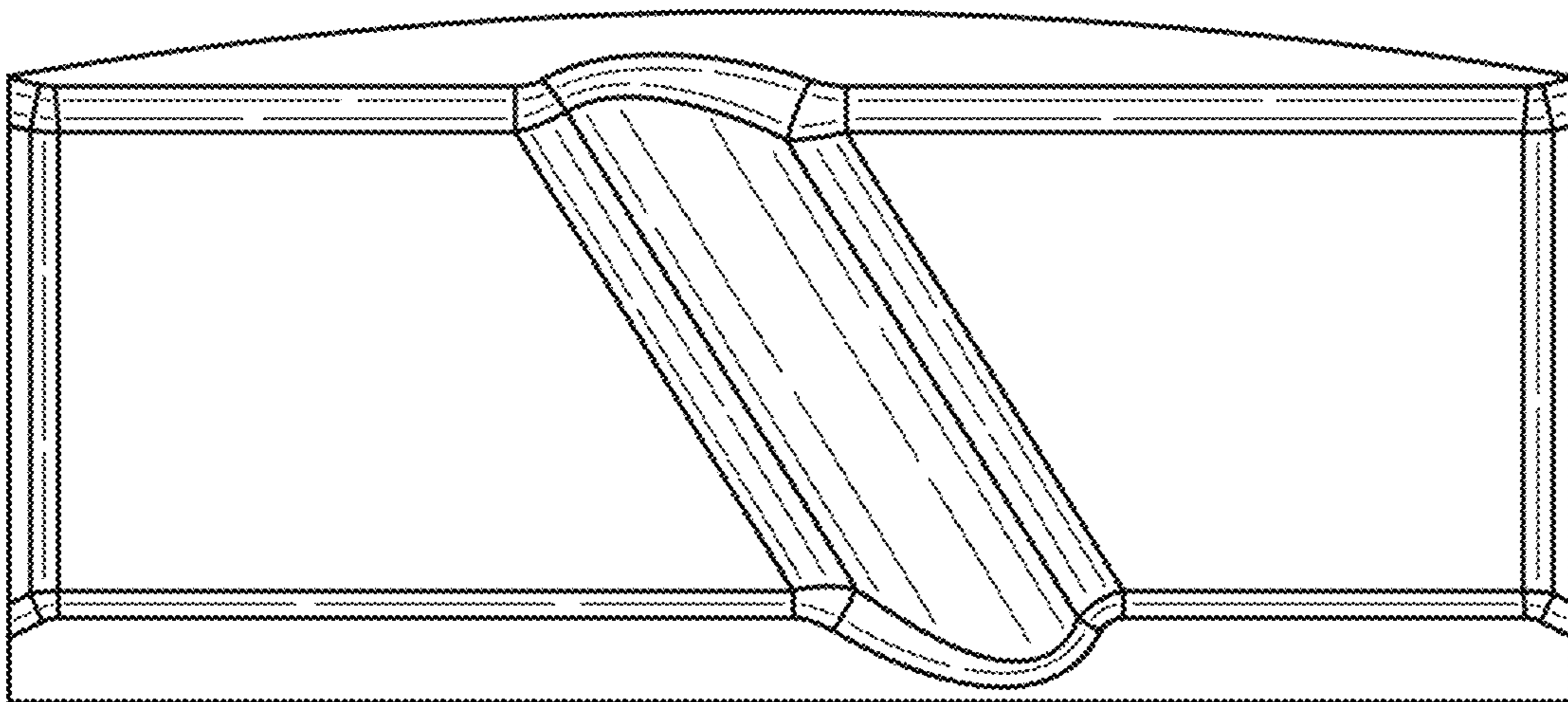
2.1



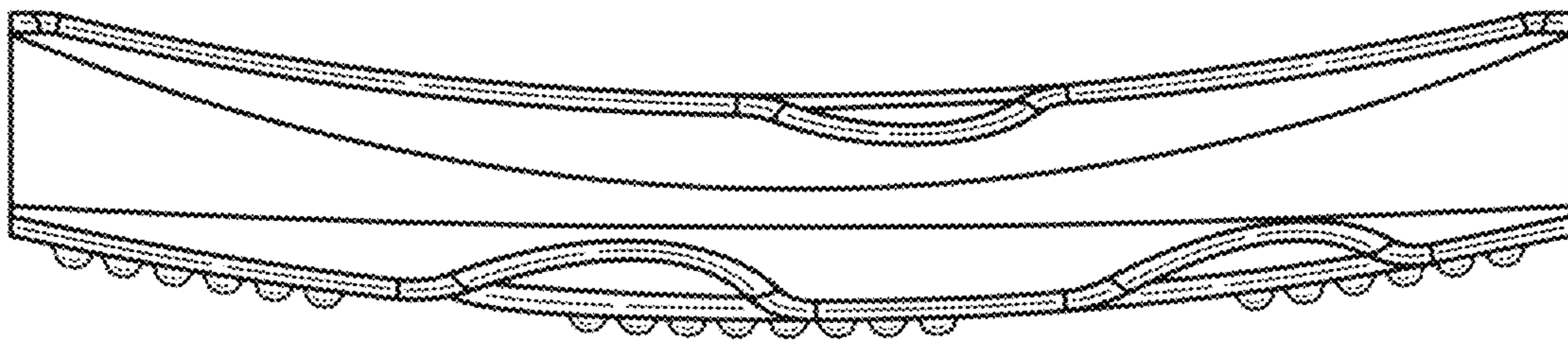
2.2



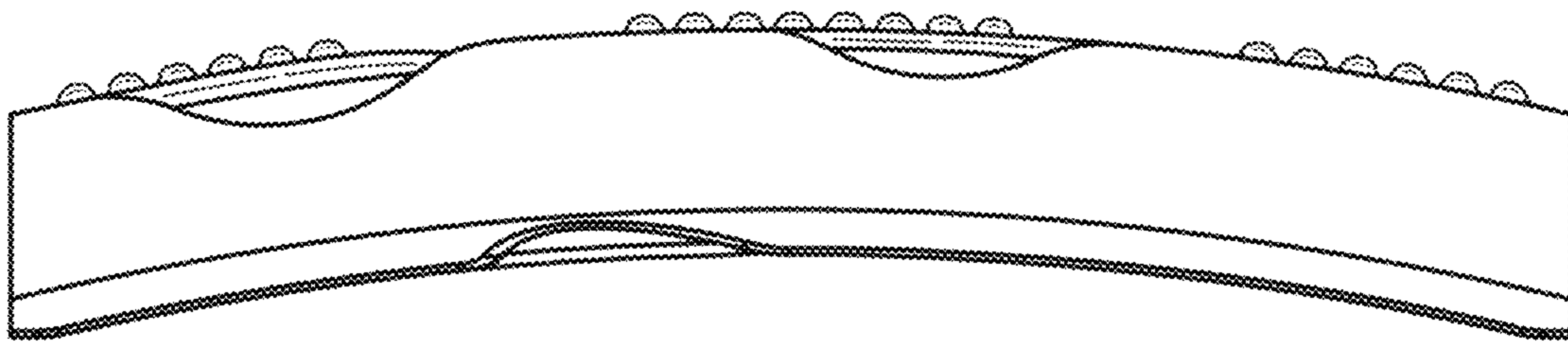
2.3



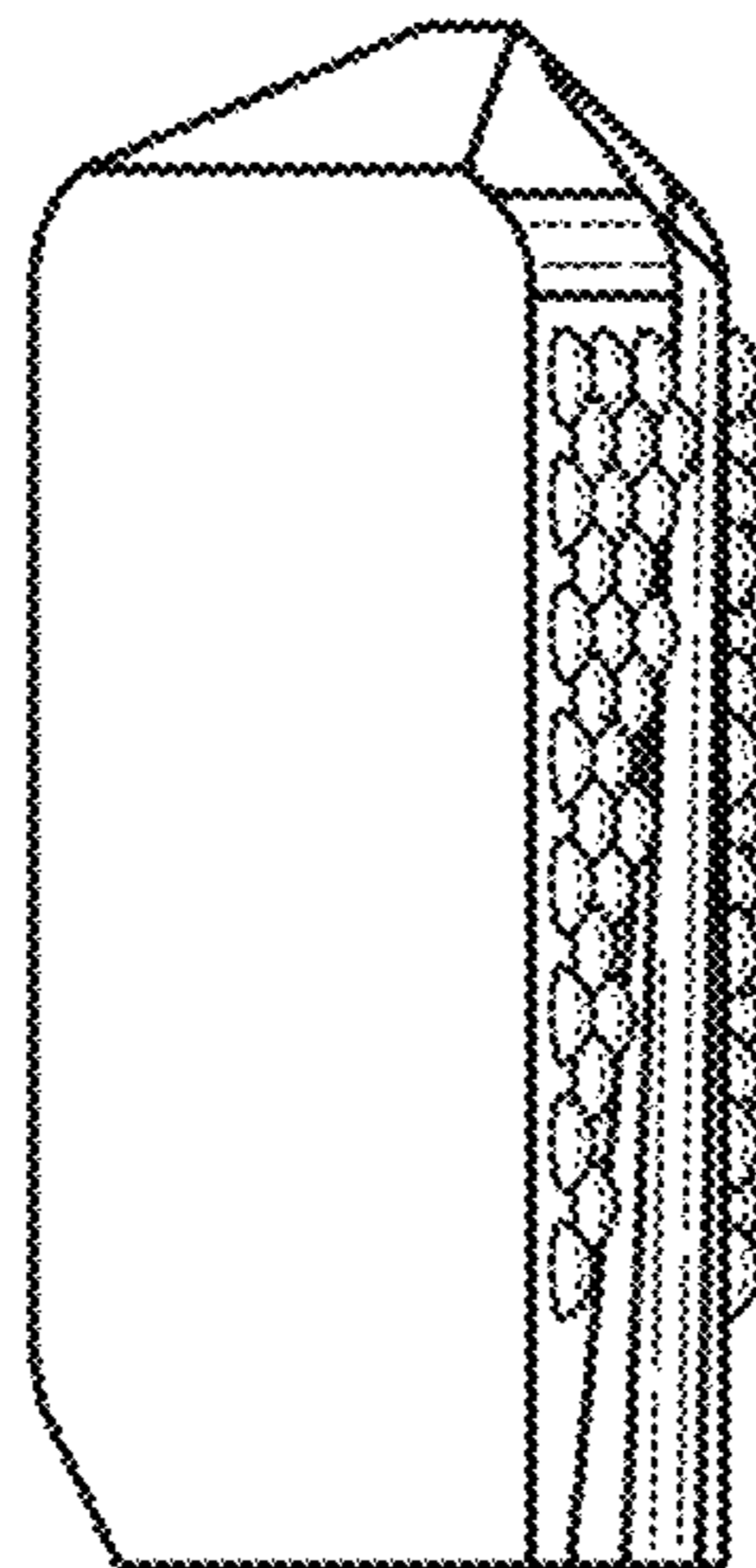
2.4



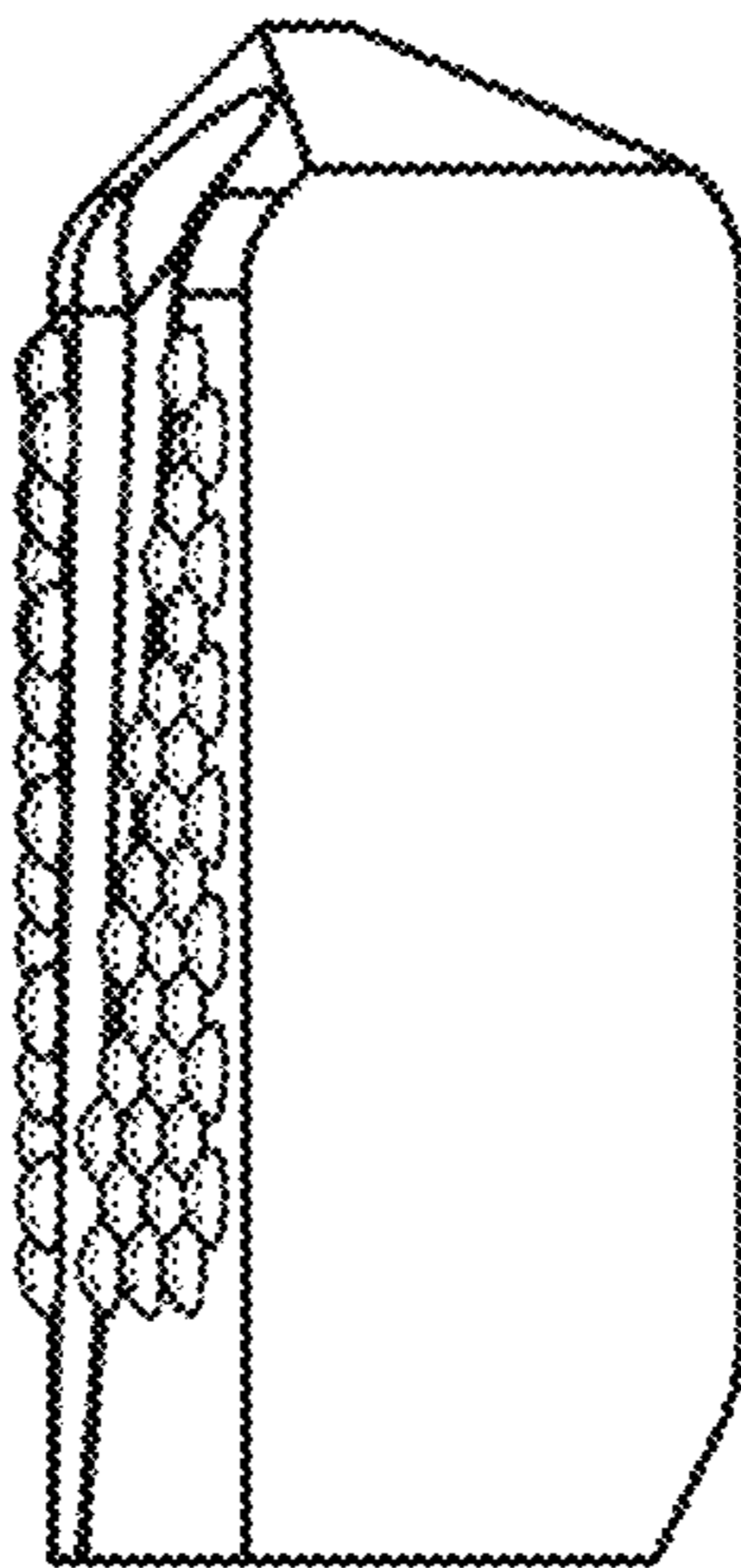
2.5



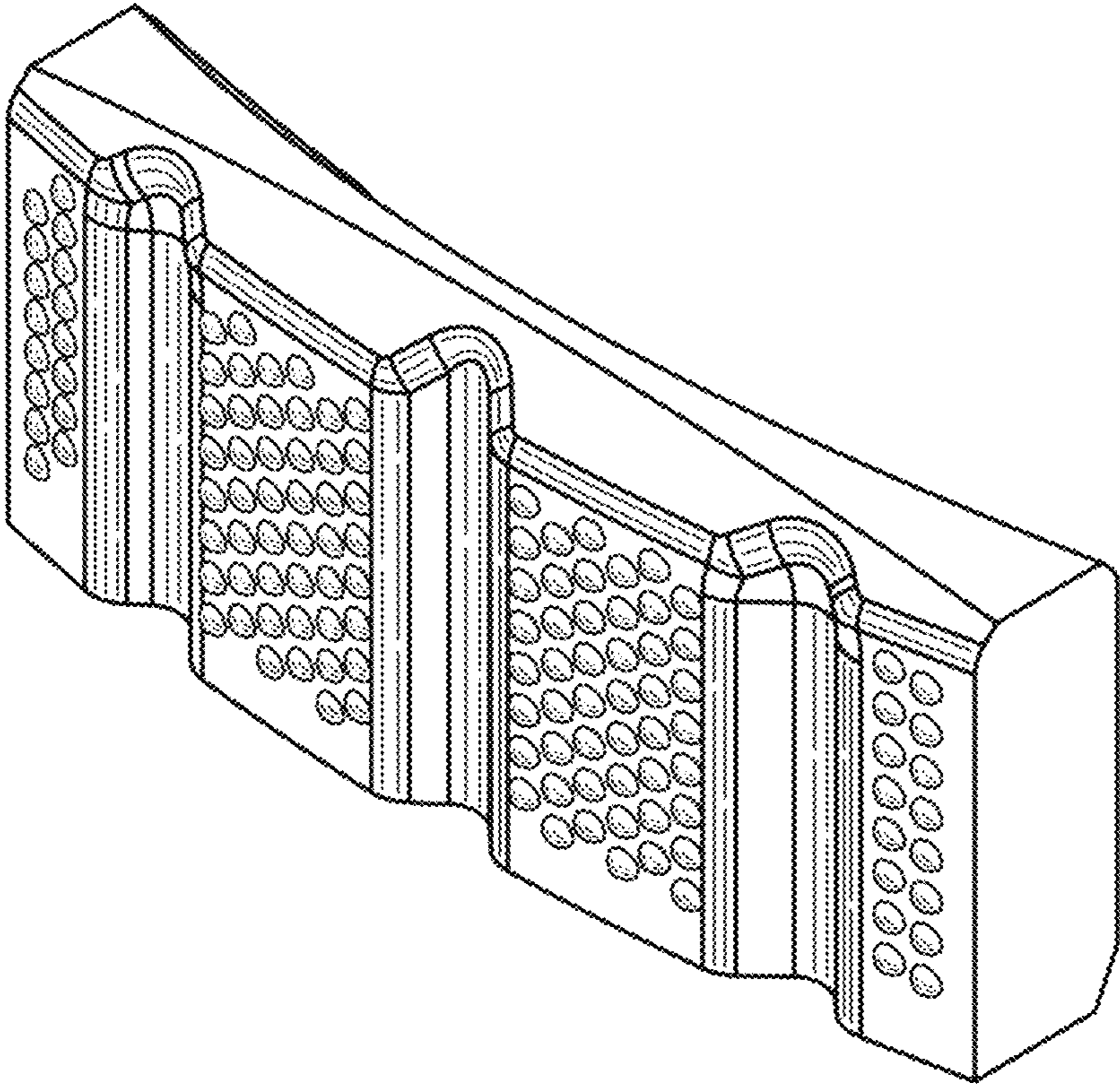
2.6



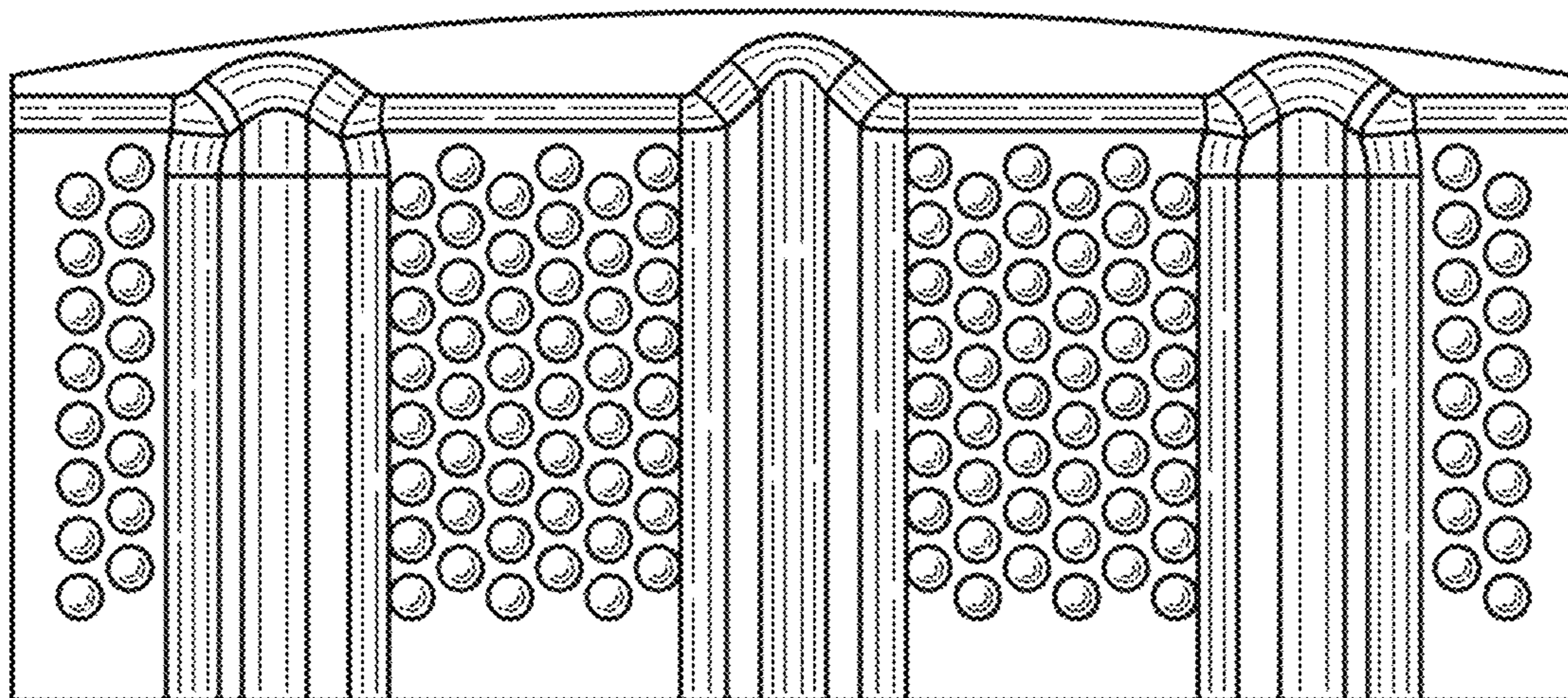
2.7



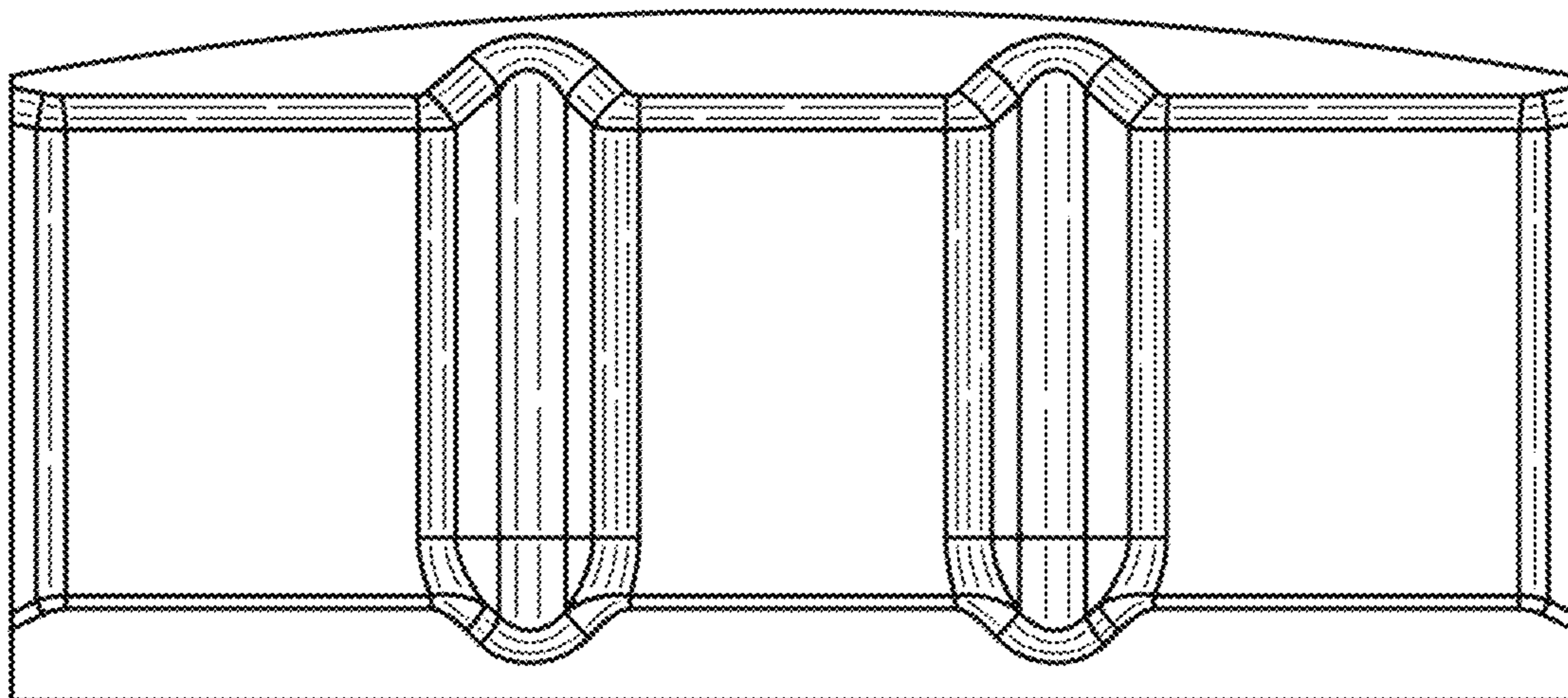
8.1



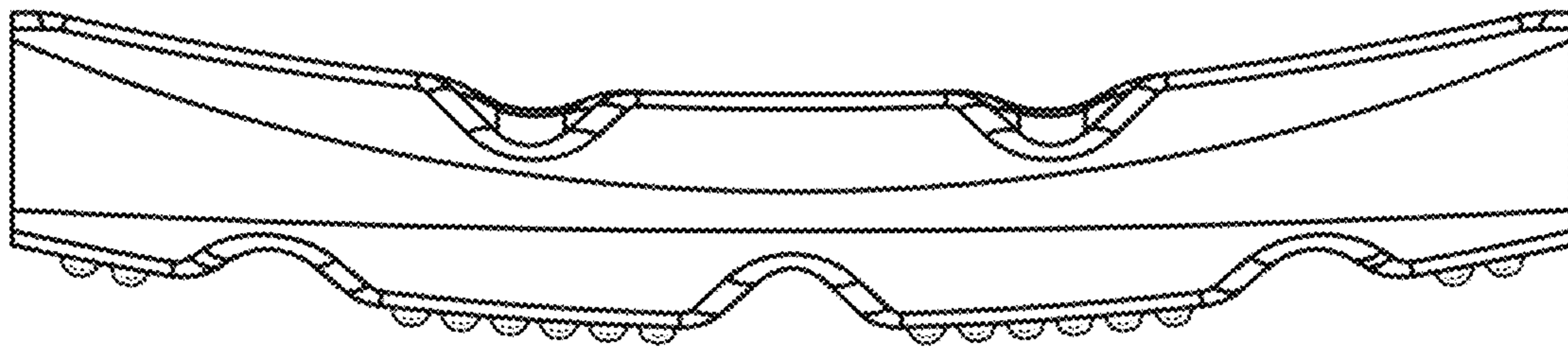
8.2

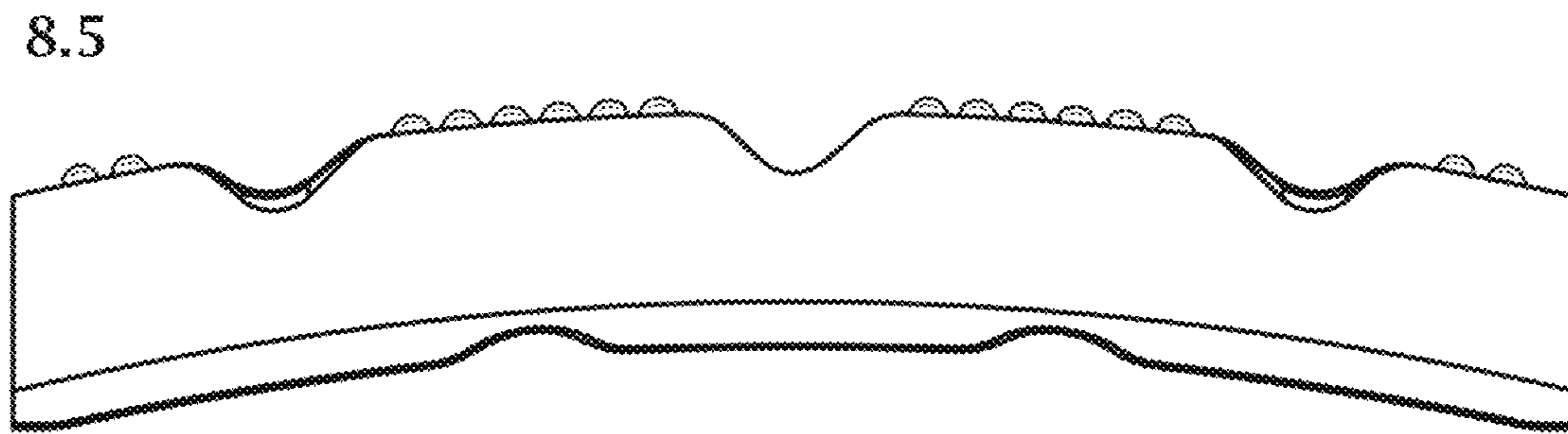


8.3

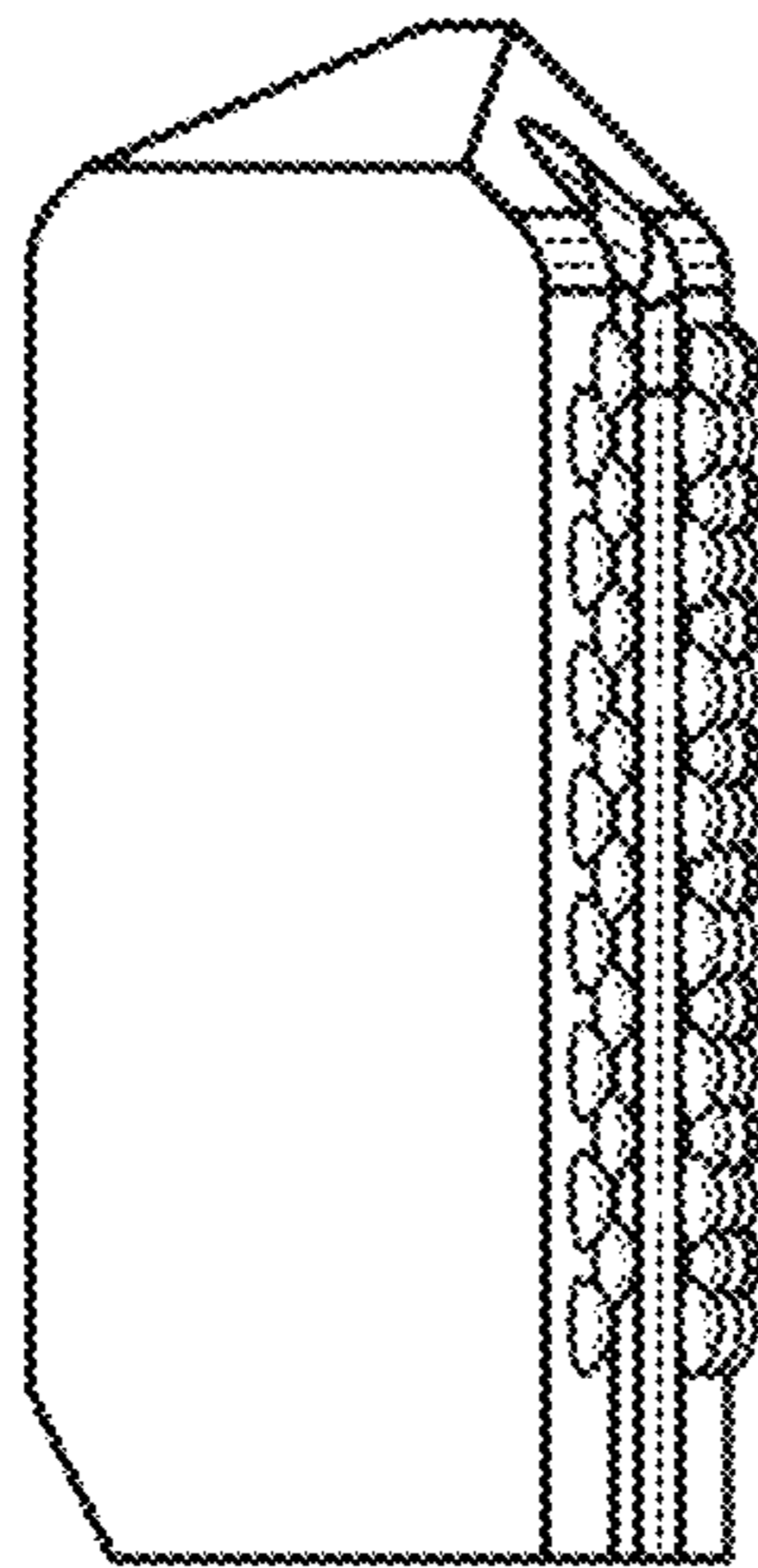


8.4

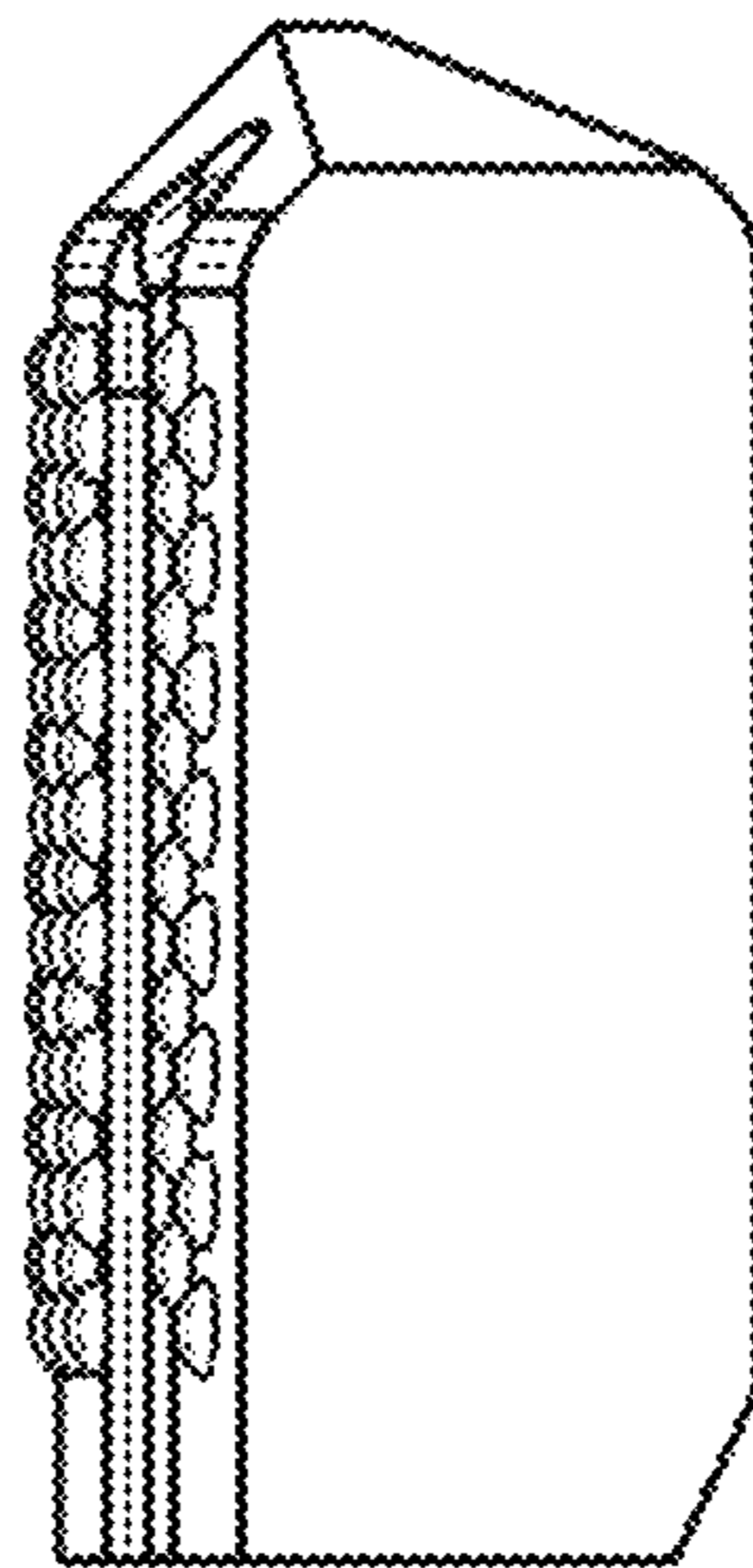




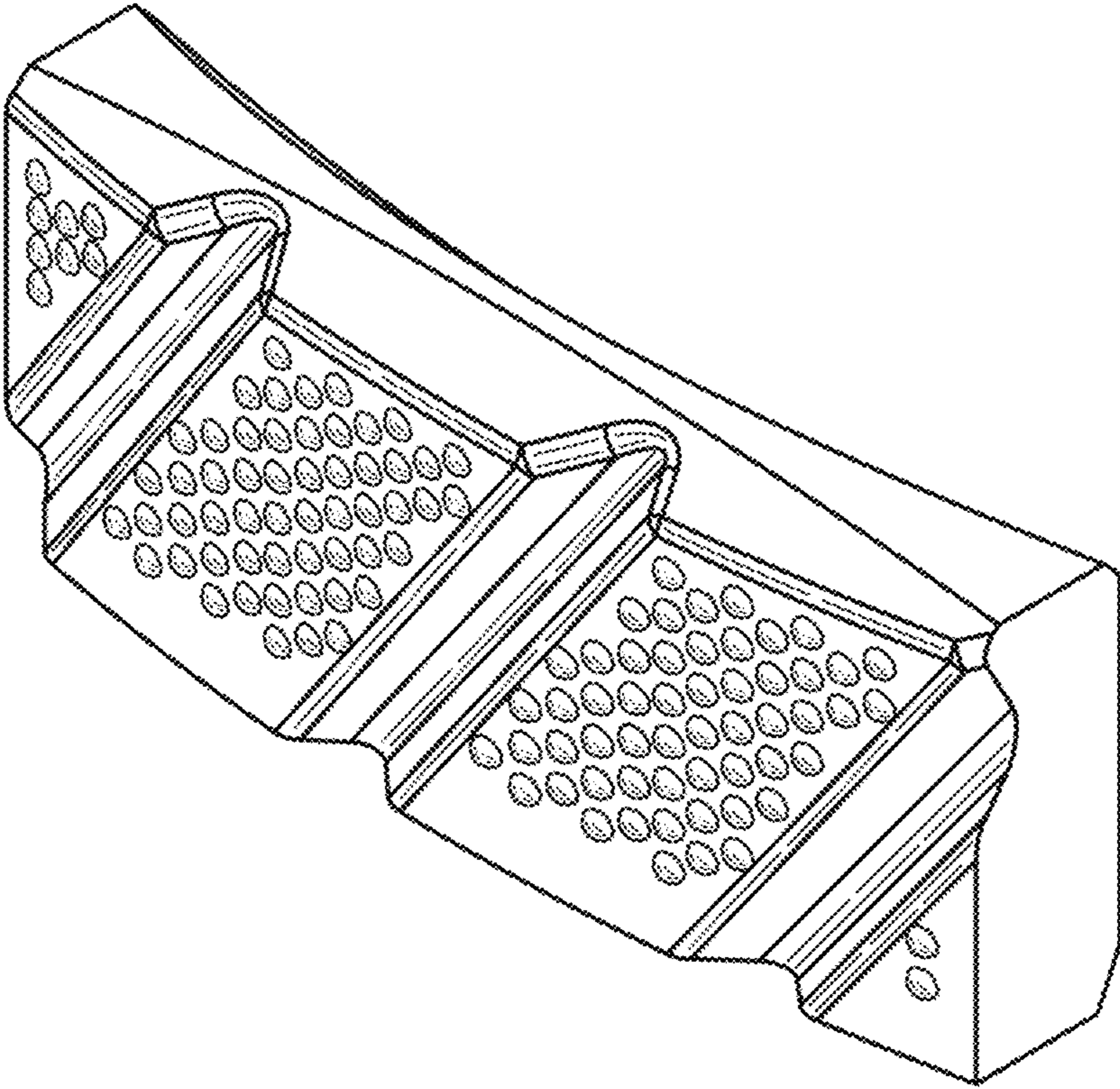
8.6



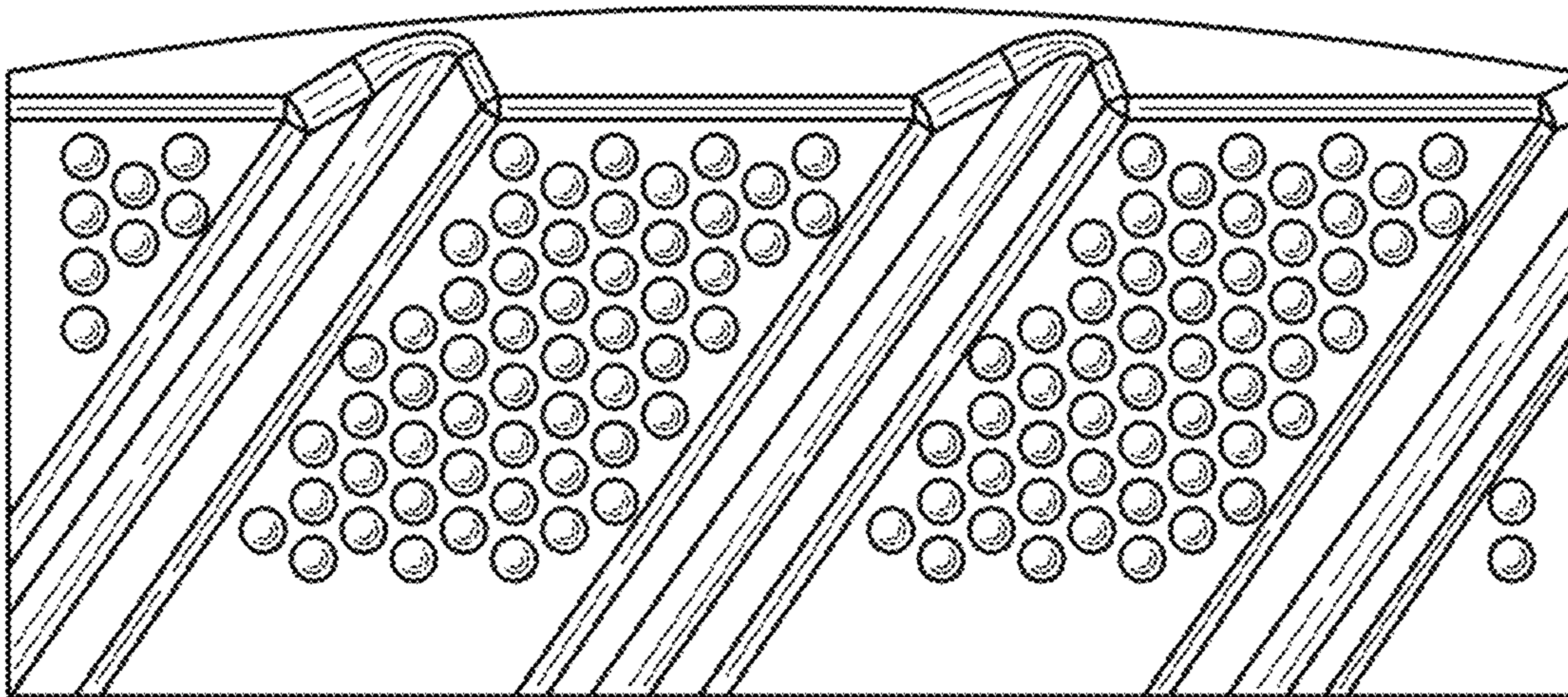
8.7



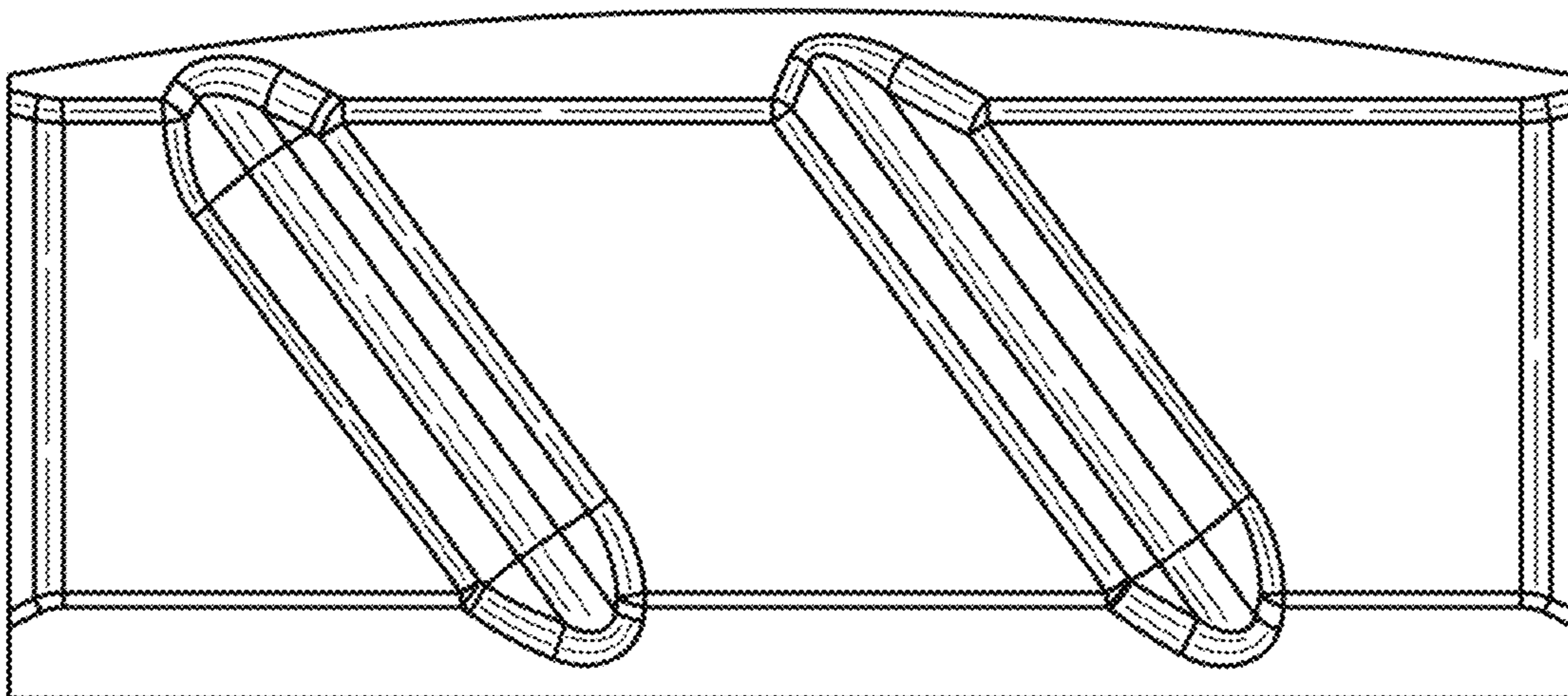
14.1



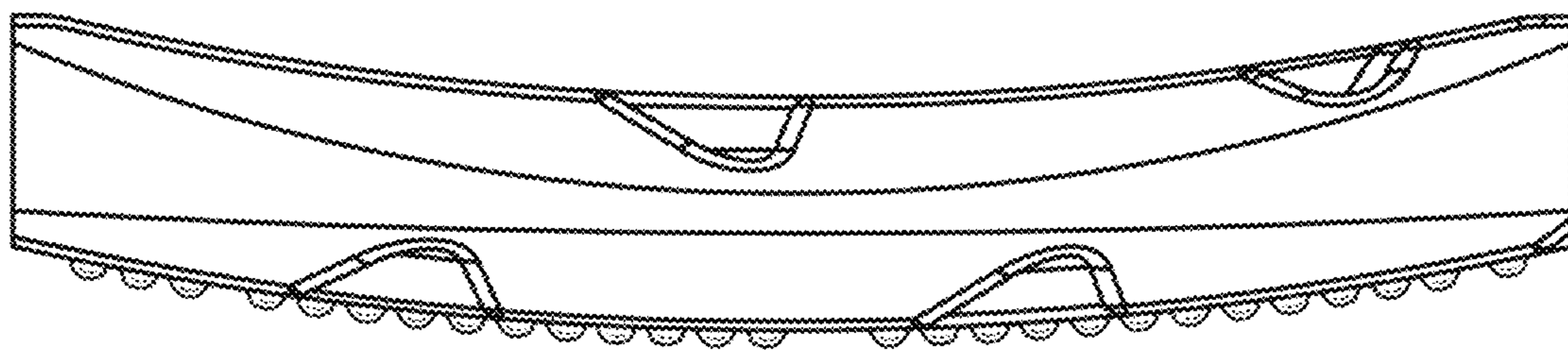
14.2



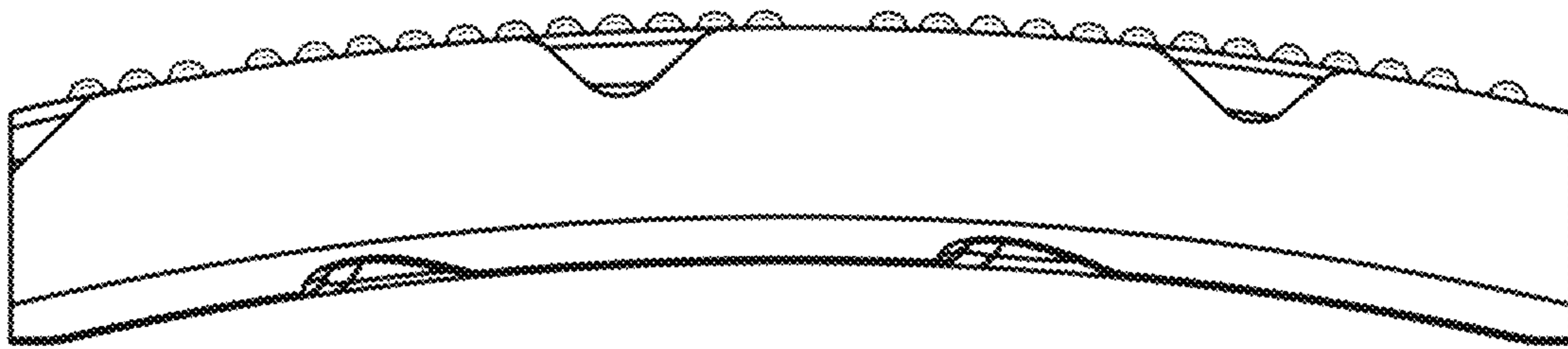
14.3



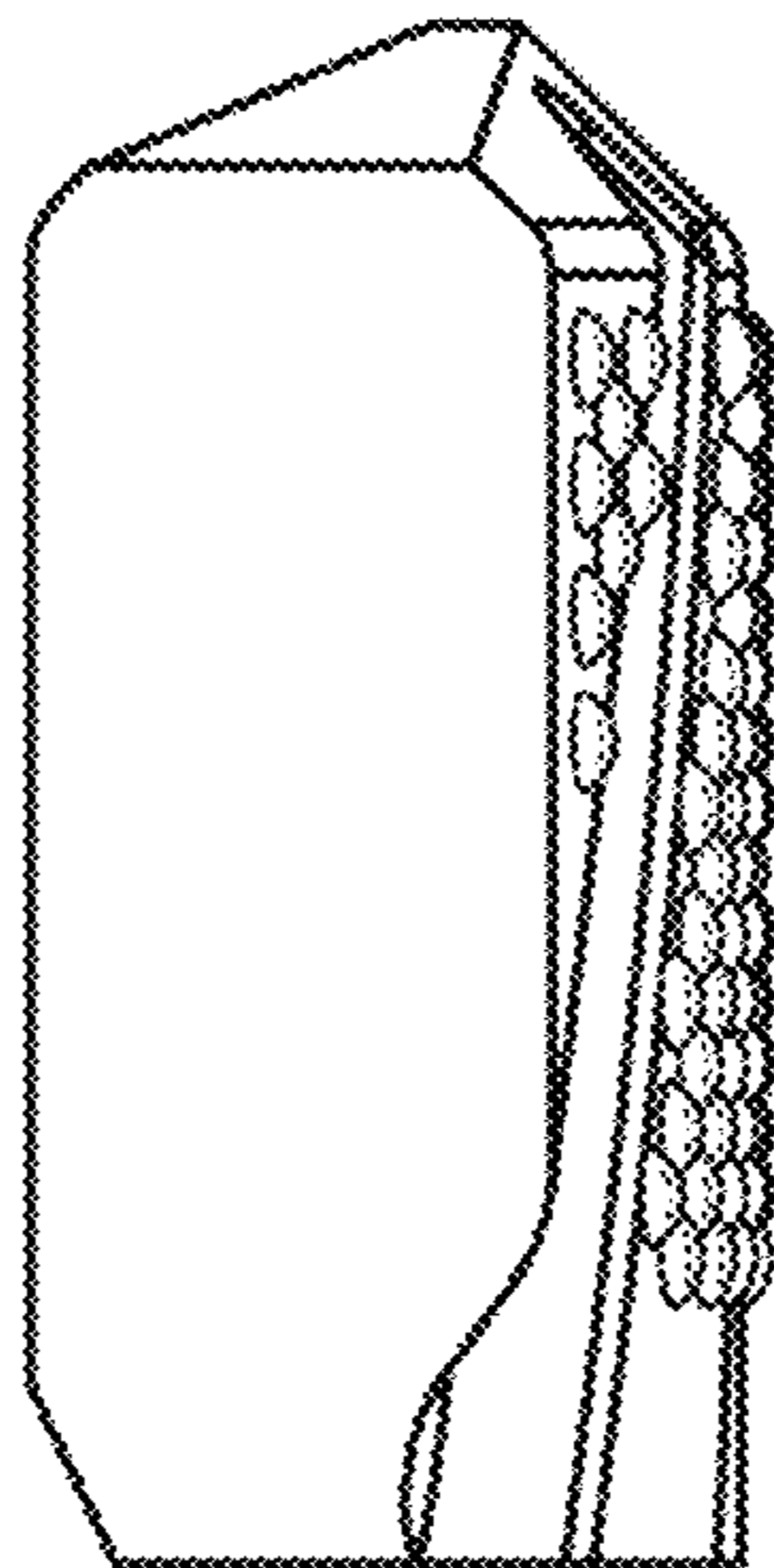
14.4



14.5



14.6



14.7

