



US00D883335S

(12) **United States Design Patent** (10) **Patent No.:** **US D883,335 S**
Bocato (45) **Date of Patent:** **** May 5, 2020**

(54) **AIR COMPRESSOR**

(71) Applicant: **FIAC S.P.A.**, Sasso Marconi (Bologna) (IT)

(72) Inventor: **Lorenzo Bocato**, Sasso Marconi (IT)

(73) Assignee: **FIAC S.P.A.**, Sasso Marconi (IT)

(**) Term: **15 Years**

(21) Appl. No.: **29/660,006**

(22) Filed: **Aug. 14, 2018**

(30) **Foreign Application Priority Data**

Feb. 19, 2018 (EM) 004714509-0013

(51) **LOC (12) Cl.** **15-02**

(52) **U.S. Cl.**
USPC **D15/9**

(58) **Field of Classification Search**
USPC D15/7-9; D23/231, 232
CPC F04B 41/00-41/06; F04B 31/00; F04B 35/00; F04B 53/92; F04B 1/005; F02M 37/04; F02M 37/14
See application file for complete search history.

(56) **References Cited**

U.S. PATENT DOCUMENTS

D77,851 S *	2/1929	Michelin	D15/9
D185,000 S *	4/1959	Hoover	D15/9
4,798,233 A *	1/1989	Mooney	B60S 5/043 141/231
D423,518 S *	4/2000	Milligan	D15/9
D446,792 S *	8/2001	Matthew	D15/9
D498,244 S *	11/2004	Chen	D15/7
D500,052 S *	12/2004	Lucchi	D15/9
6,935,642 B1 *	8/2005	Craig	B08B 3/026 280/47.24
D511,782 S *	11/2005	Hosking	D15/9

D519,126 S *	4/2006	Leasure	D15/9
D529,670 S *	10/2006	Hendy	D32/15
D531,191 S *	10/2006	Smith	D15/9
D531,644 S *	11/2006	Smith	D15/9
D534,550 S *	1/2007	Beecham	D15/9
D535,309 S *	1/2007	Breecham	D15/9
D537,840 S *	3/2007	Smith	D15/9
D537,841 S *	3/2007	Smith	D15/9
D546,840 S *	7/2007	Sinders	D15/9
D550,719 S *	9/2007	Berchialla	D15/9
D562,851 S *	2/2008	Leasure	D15/9
D576,512 S *	9/2008	Leasure	D15/7
D589,065 S *	3/2009	Leasure	D15/9
D589,066 S *	3/2009	Leasure	D15/9
7,604,246 B2 *	10/2009	Sodemann	B08B 3/026 280/47.131
7,909,584 B2 *	3/2011	Etter	F04B 41/02 417/234
D636,409 S *	4/2011	Wilmes	D15/9
D648,082 S *	11/2011	Alexander	D32/15

(Continued)

Primary Examiner — Mitchell I. Siegel

(74) *Attorney, Agent, or Firm* — Shuttleworth & Ingersoll, PLC; Timothy J. Klima

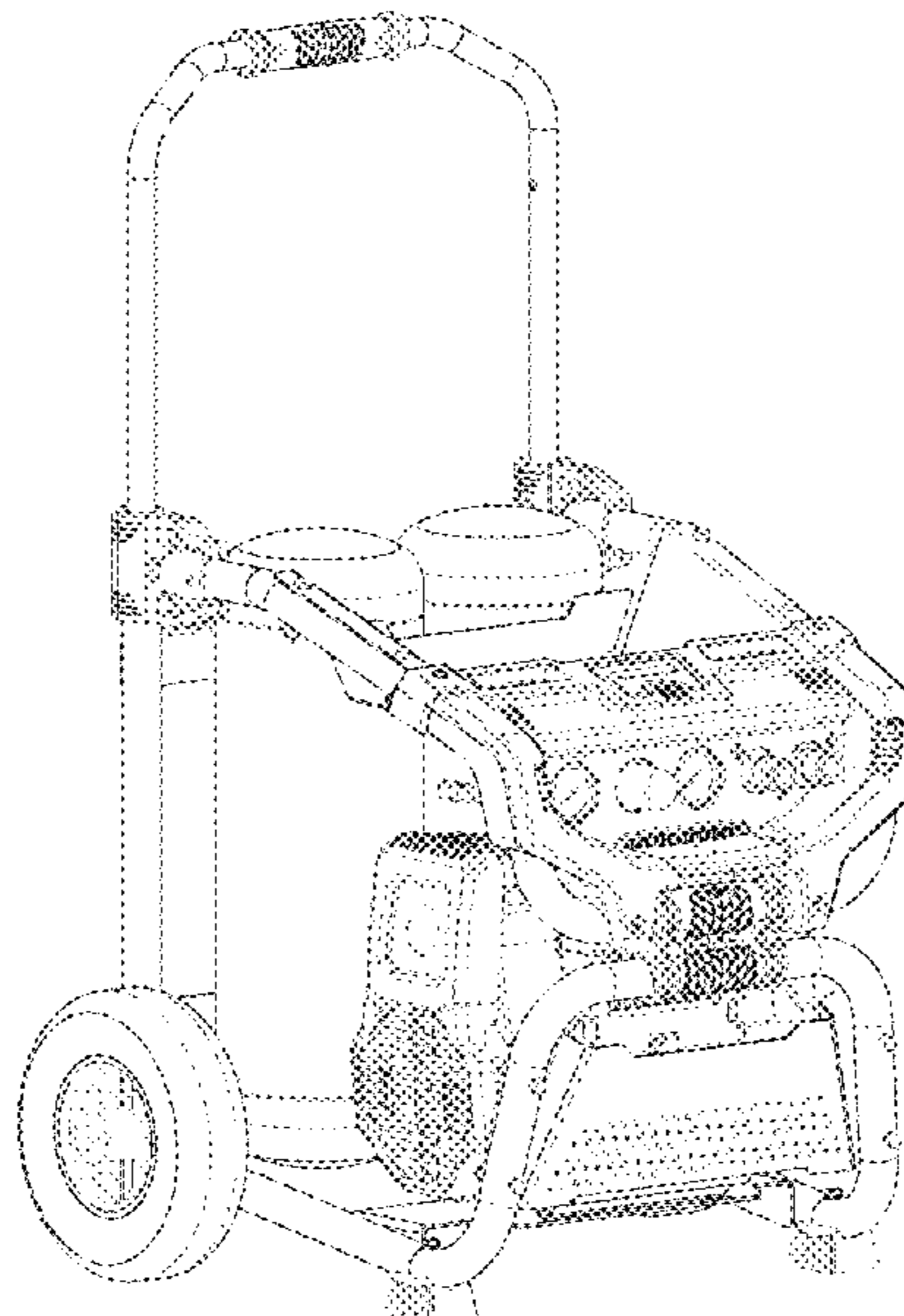
(57) **CLAIM**

The ornamental design for an air compressor, as shown and described.

DESCRIPTION

FIG. 1 is a front perspective view of an air compressor, showing my new design;
FIG. 2 is a right side elevational view thereof;
FIG. 3 is a front elevational view thereof;
FIG. 4 is a back elevational view thereof;
FIG. 5 is a left side elevational view thereof;
FIG. 6 is a top plan view thereof; and,
FIG. 7 is a bottom plan view thereof.
Any broken lines in the figures illustrate portions of the air compressor that form no part of the claimed design.

1 Claim, 7 Drawing Sheets



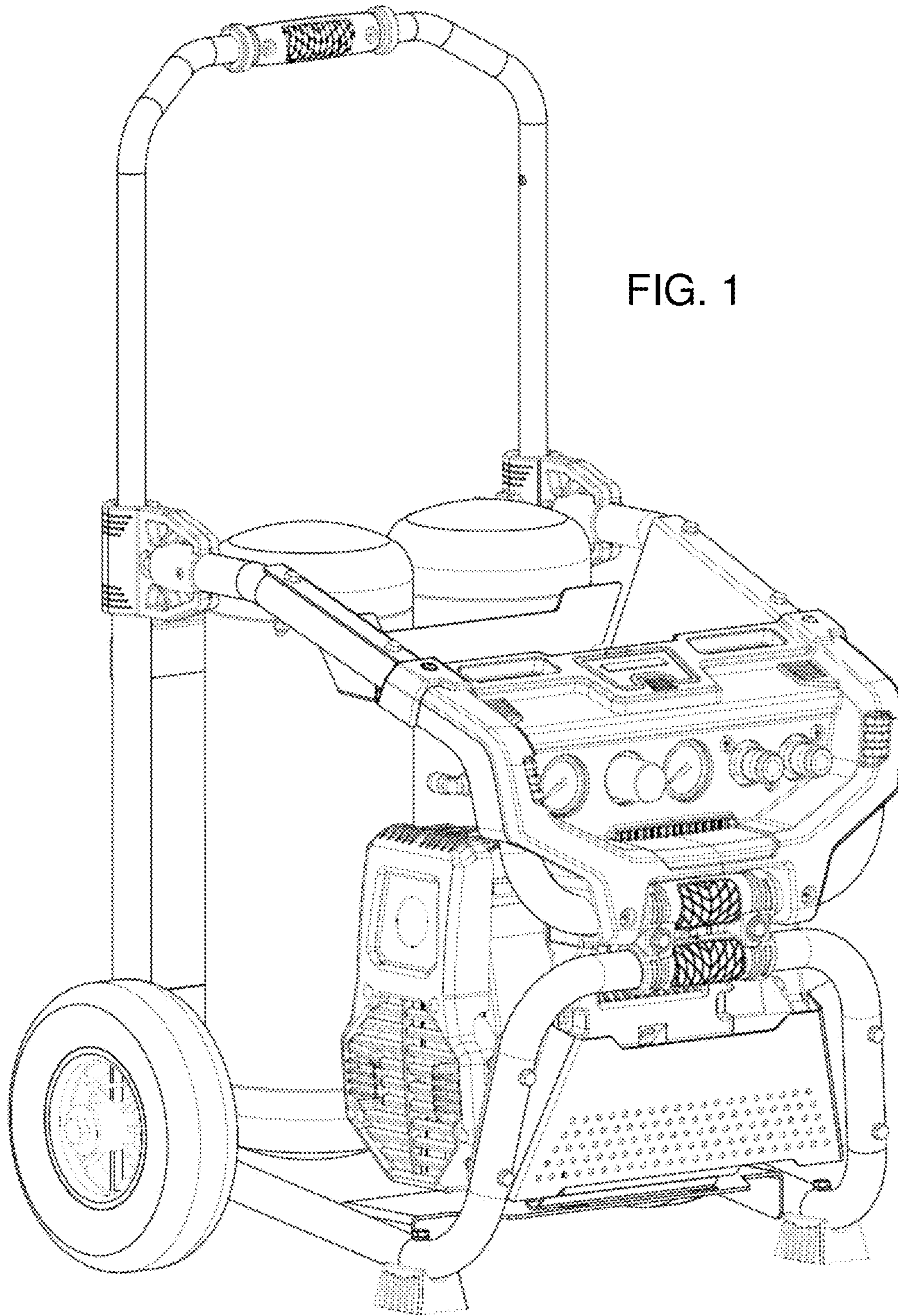
(56)

References Cited

U.S. PATENT DOCUMENTS

8,167,579 B2 *	5/2012	Schultz	F04B 41/02 417/234
D771,714 S *	11/2016	Hines	D15/7
D806,757 S *	1/2018	Wood	D15/9
D811,325 S *	2/2018	Inskeep	D13/107
D812,561 S *	3/2018	Inskeep	D13/107

* cited by examiner



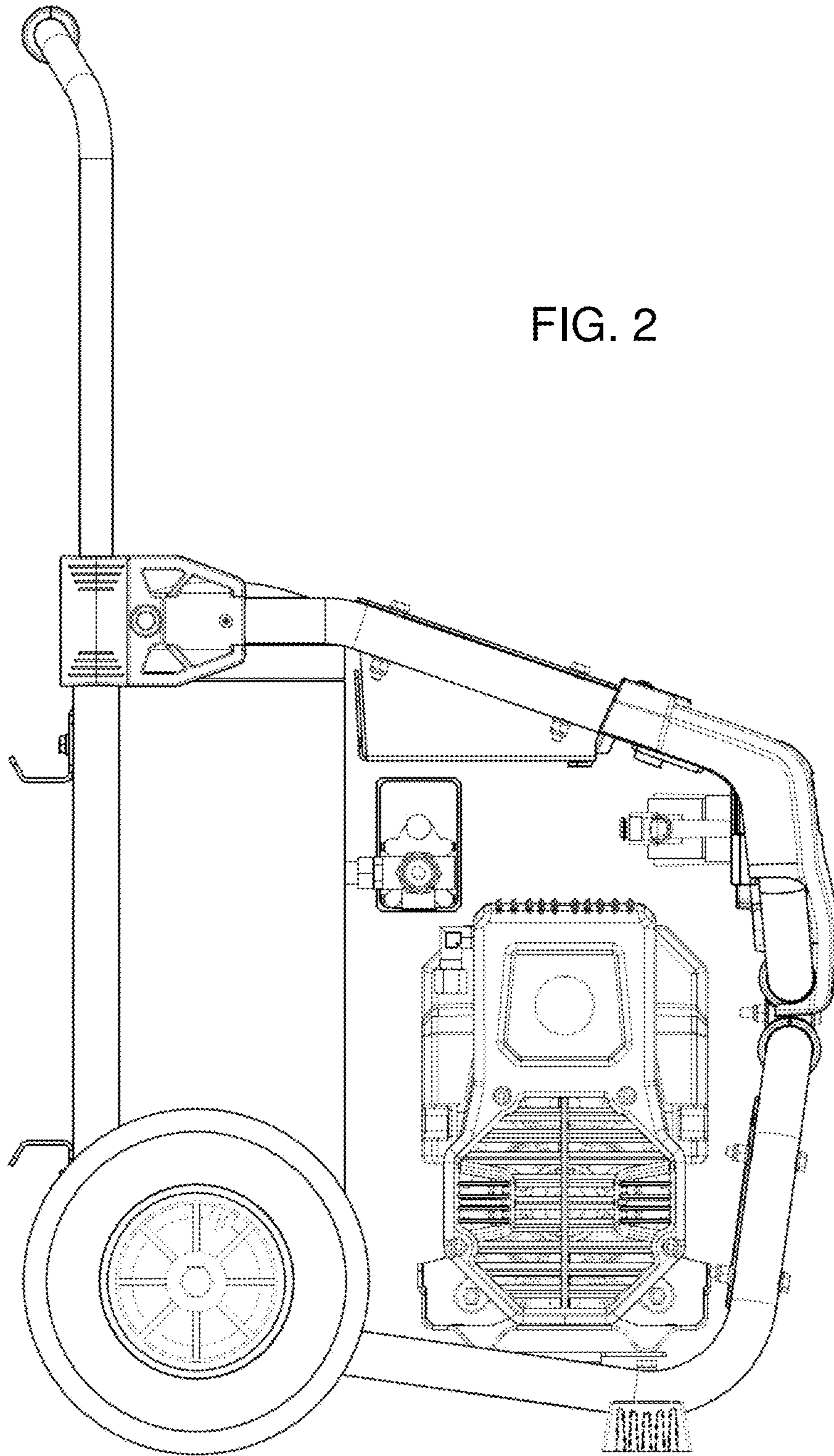


FIG. 2

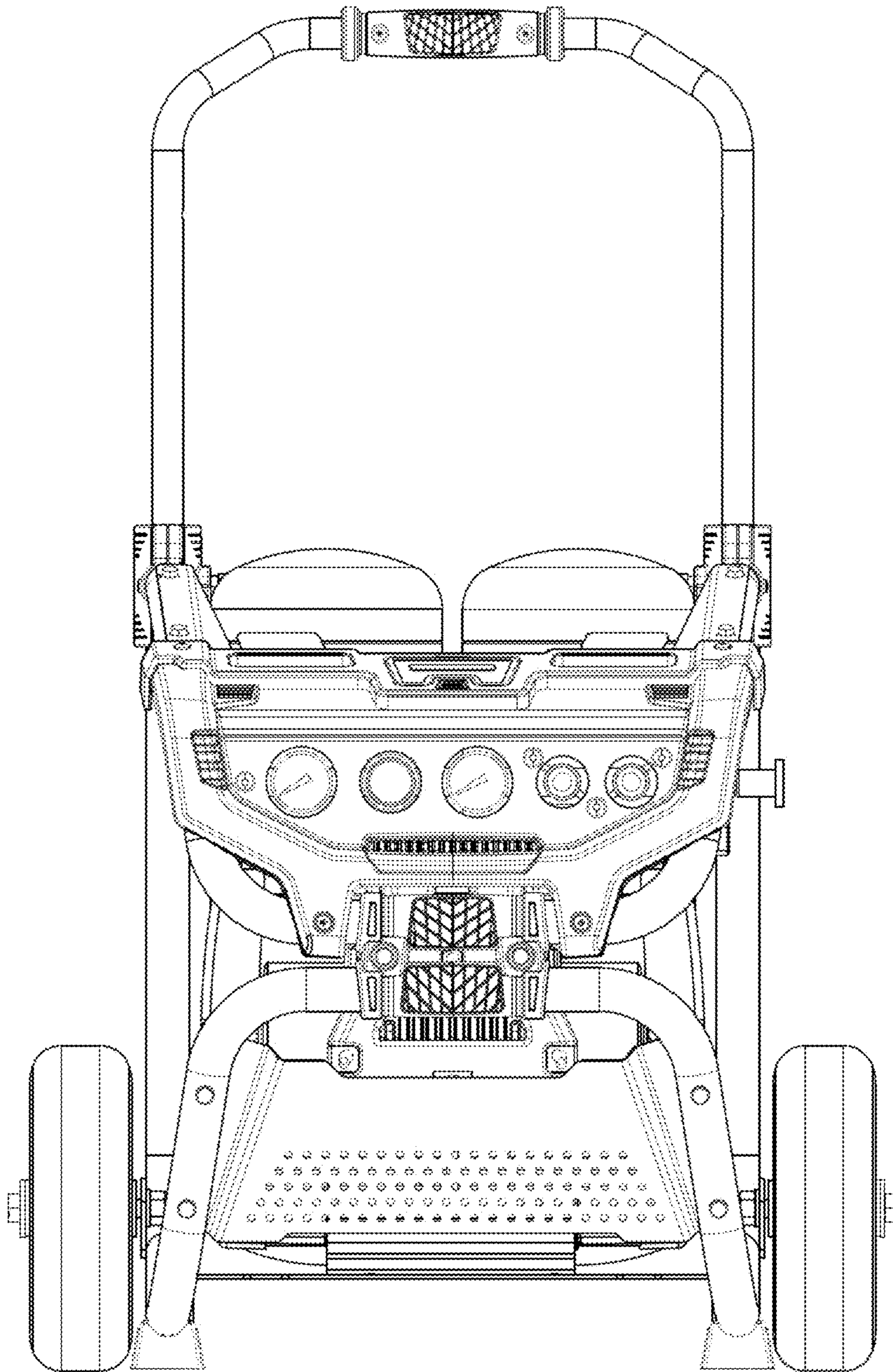


FIG. 3

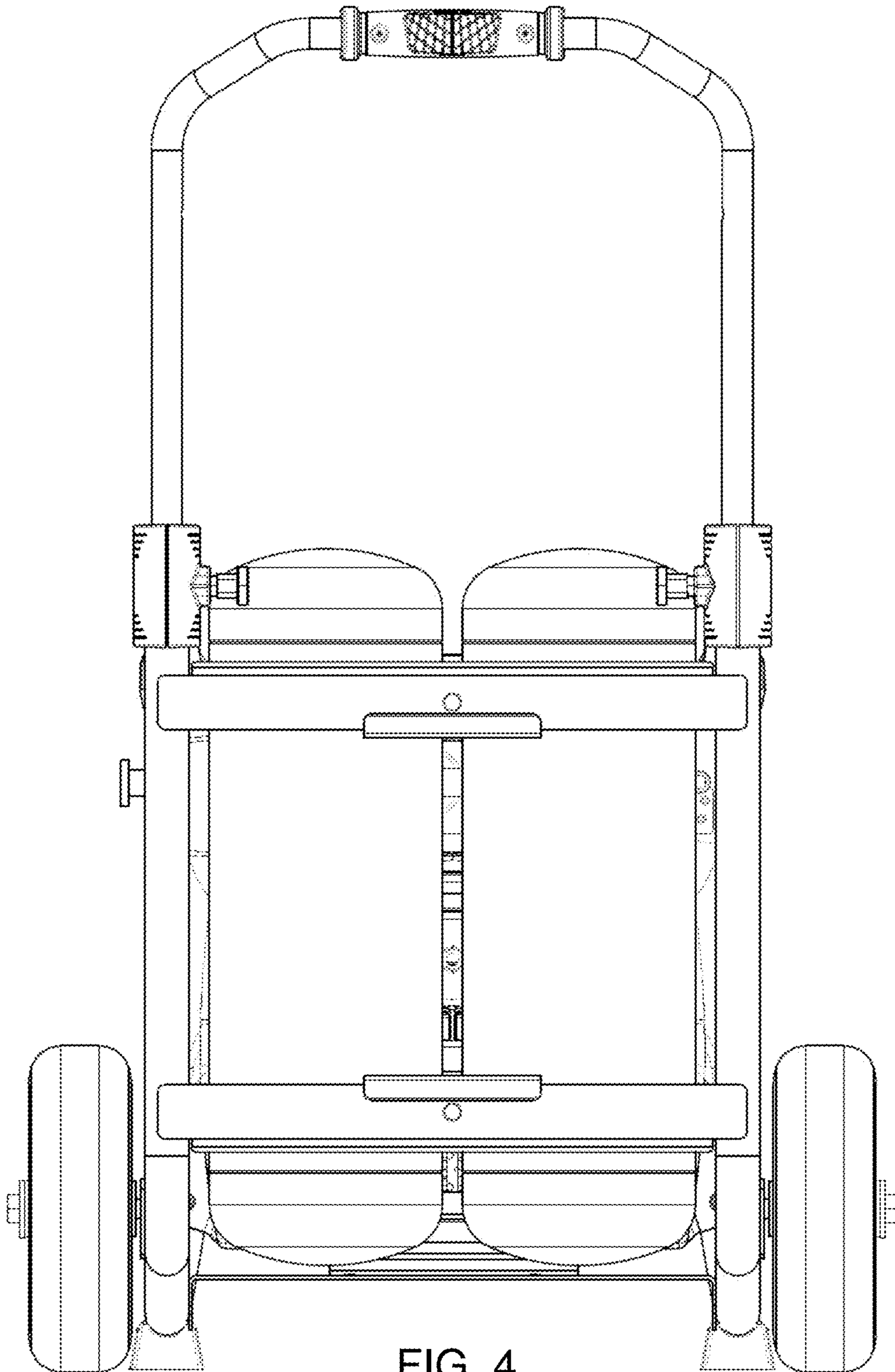
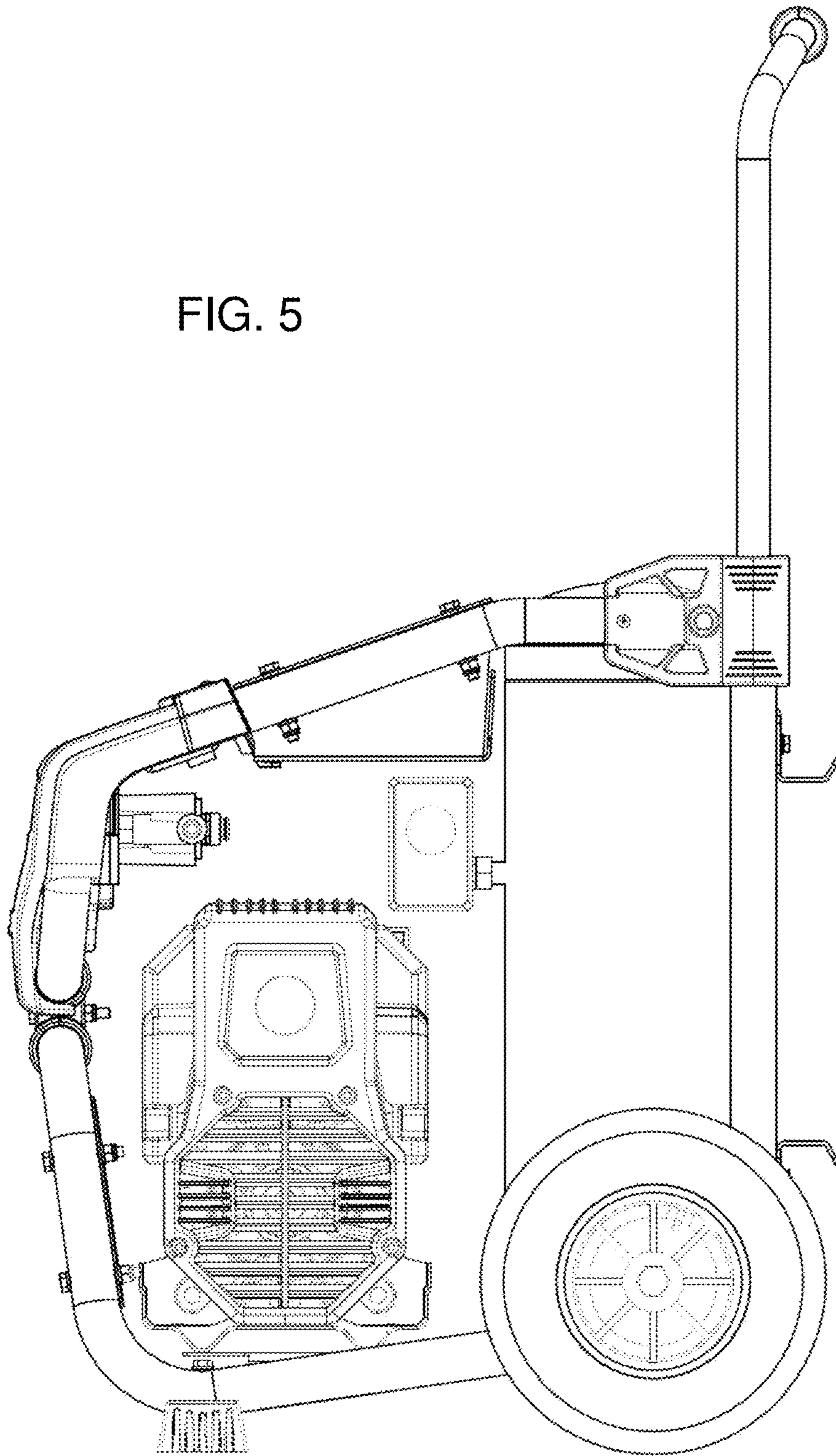


FIG. 4

FIG. 5



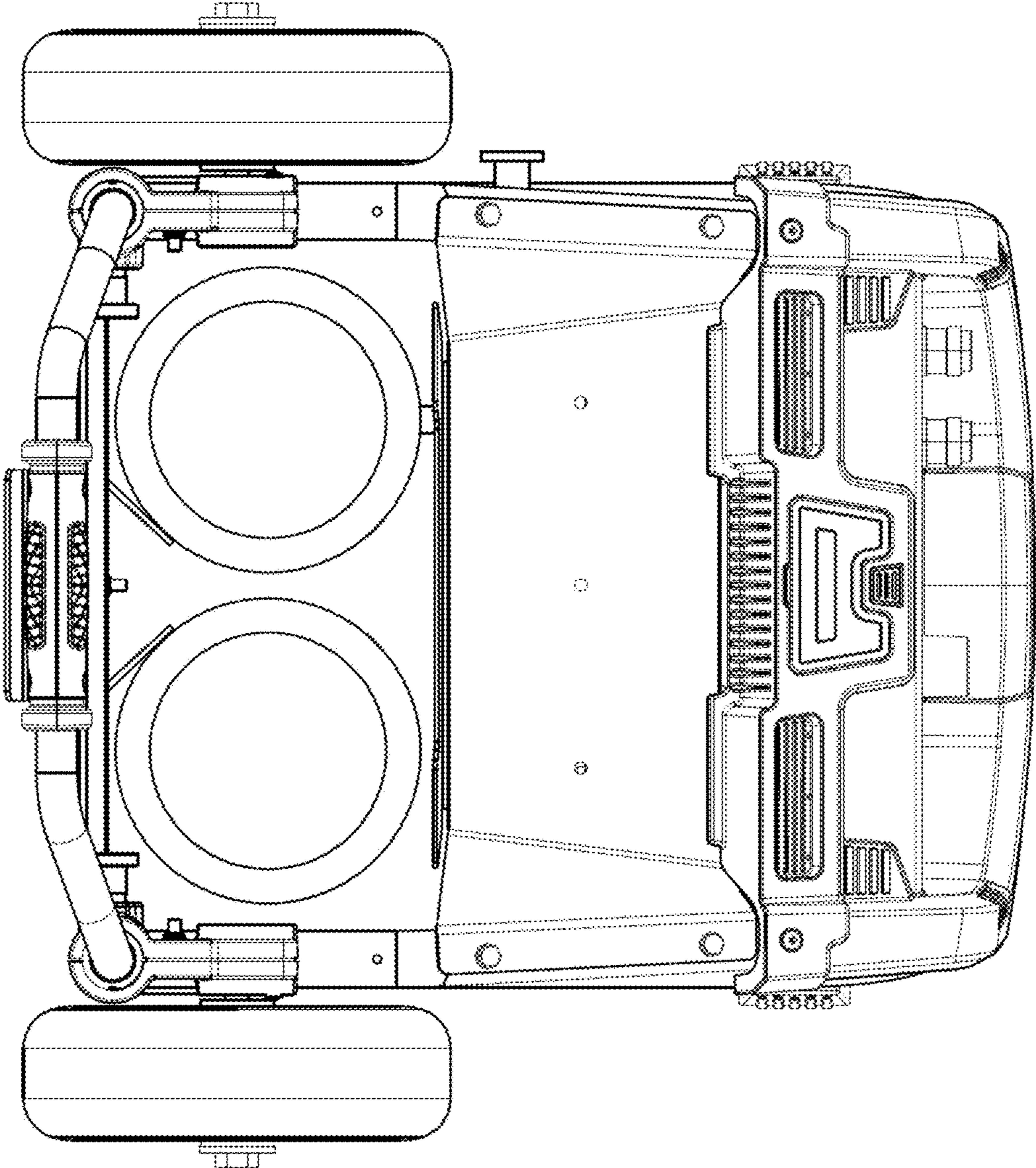


FIG. 6

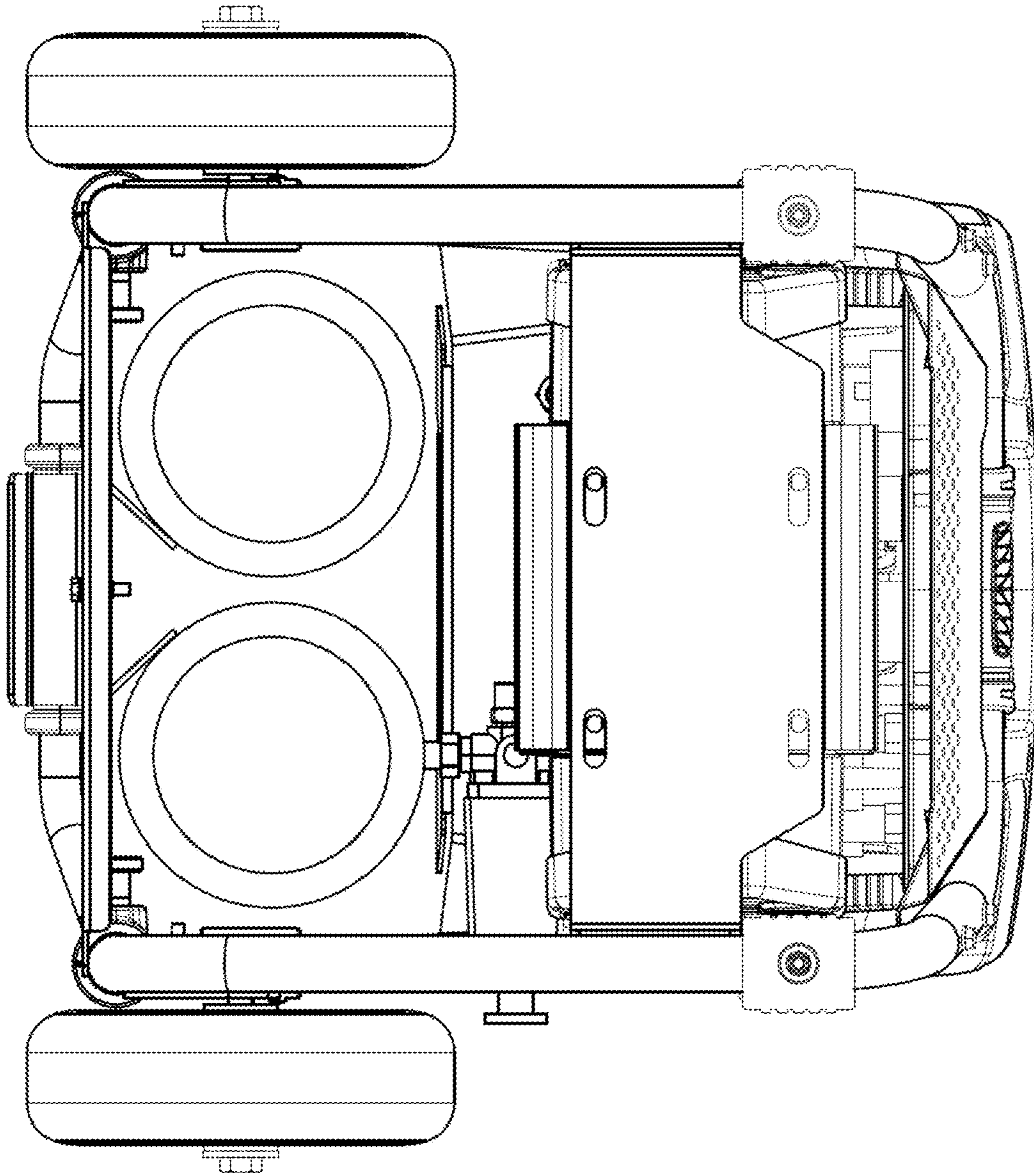


FIG. 7