



US00D883298S

(12) **United States Design Patent**  
**Wakasugi et al.**

(10) **Patent No.:** **US D883,298 S**

(45) **Date of Patent:** **\*\* May 5, 2020**

(54) **SUPPORTING DEVICE**

(71) Applicant: **CKD CORPORATION**, Aichi (JP)

(72) Inventors: **Satoshi Wakasugi**, Komaki (JP);  
**Shigetaka Matsumoto**, Komaki (JP);  
**Atsushi Fukuta**, Komaki (JP); **Reina Kawai**, Komaki (JP)

(73) Assignee: **CKD CORPORATION**, Aichi (JP)

(\*\*) Term: **15 Years**

(21) Appl. No.: **29/666,841**

(22) Filed: **Oct. 16, 2018**

(30) **Foreign Application Priority Data**

Apr. 18, 2018 (JP) ..... 2018-008558

(51) **LOC (12) Cl.** ..... **14-02**

(52) **U.S. Cl.**  
USPC ..... **D14/452**

(58) **Field of Classification Search**  
USPC ..... D14/447-452, 336, 341, 371, 373, 374,  
D14/375, 376, 377, 126, 127, 128, 129  
CPC .... F16M 11/105; F16M 11/10; F16M 11/048;  
F16M 11/12; F16M 13/022  
See application file for complete search history.

(56) **References Cited**

**U.S. PATENT DOCUMENTS**

7,954,773 B2 \* 6/2011 Carnevali ..... B60N 3/103  
248/160  
9,316,346 B2 \* 4/2016 Lau ..... F16M 11/126

D758,474 S \* 6/2016 Harrison ..... D16/242  
D815,643 S \* 4/2018 Bowman ..... D14/452  
D830,371 S \* 10/2018 Lau ..... D14/452

\* cited by examiner

*Primary Examiner* — Randall H Gholson

(74) *Attorney, Agent, or Firm* — Cantor Colburn LLP

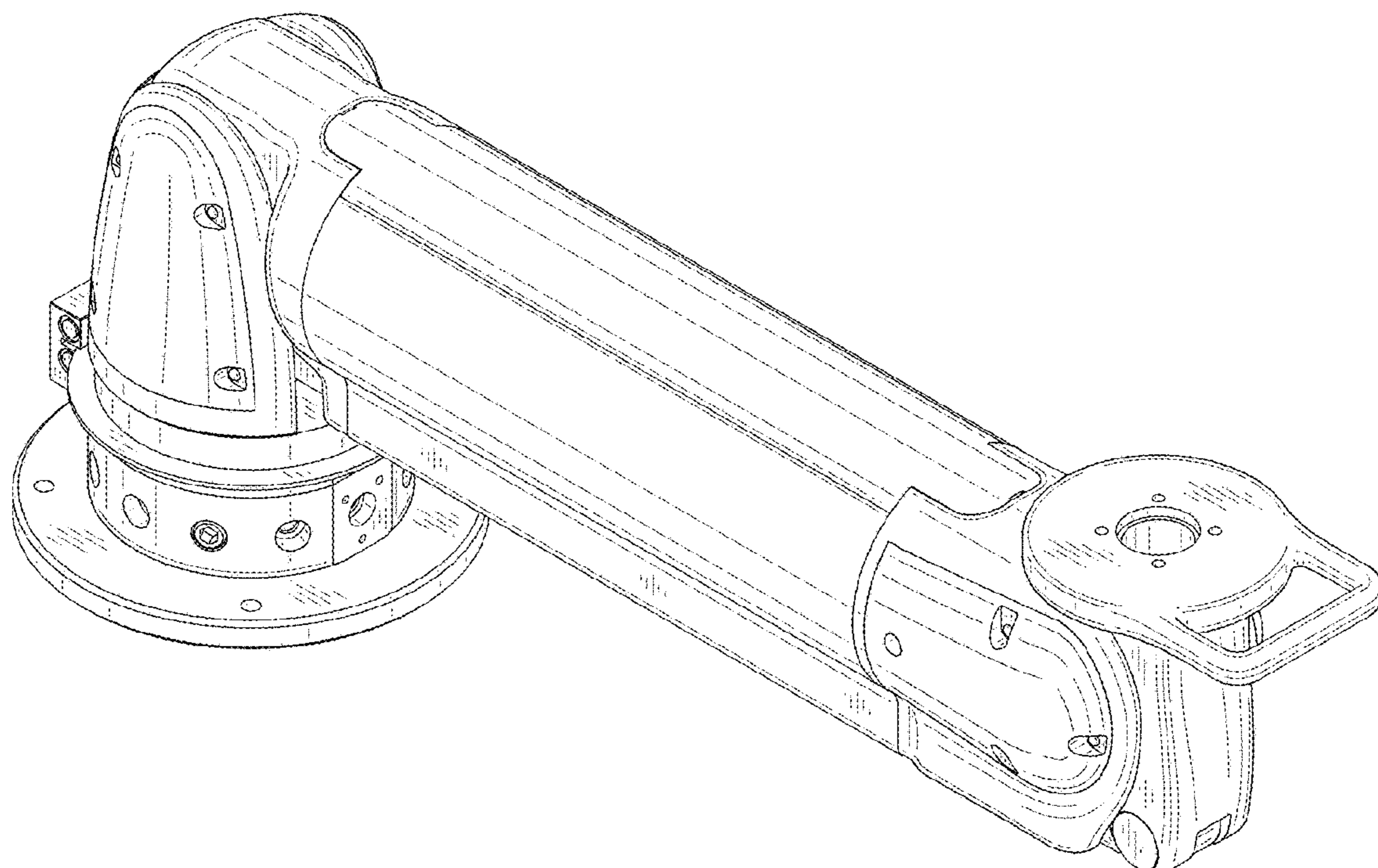
(57) **CLAIM**

The ornamental design for a supporting device, as shown and described.

**DESCRIPTION**

FIG. 1 is a front, top and right side perspective view of a supporting device showing our new design;  
FIG. 2 is a rear, bottom and left side perspective view thereof;  
FIG. 3 is a front view thereof;  
FIG. 4 is a rear view thereof;  
FIG. 5 is a top plan view thereof;  
FIG. 6 is a bottom plan view thereof;  
FIG. 7 is a right side view thereof;  
FIG. 8 is a left side view thereof;  
FIG. 9 is a front view showing the article in a different position;  
FIG. 10 is a front view showing the article in another different position; and,  
FIG. 11 is a front view showing the article connected with another supporting device.  
The broken lines illustrate portions of the supporting device and form no part of the claimed design.

**1 Claim, 10 Drawing Sheets**



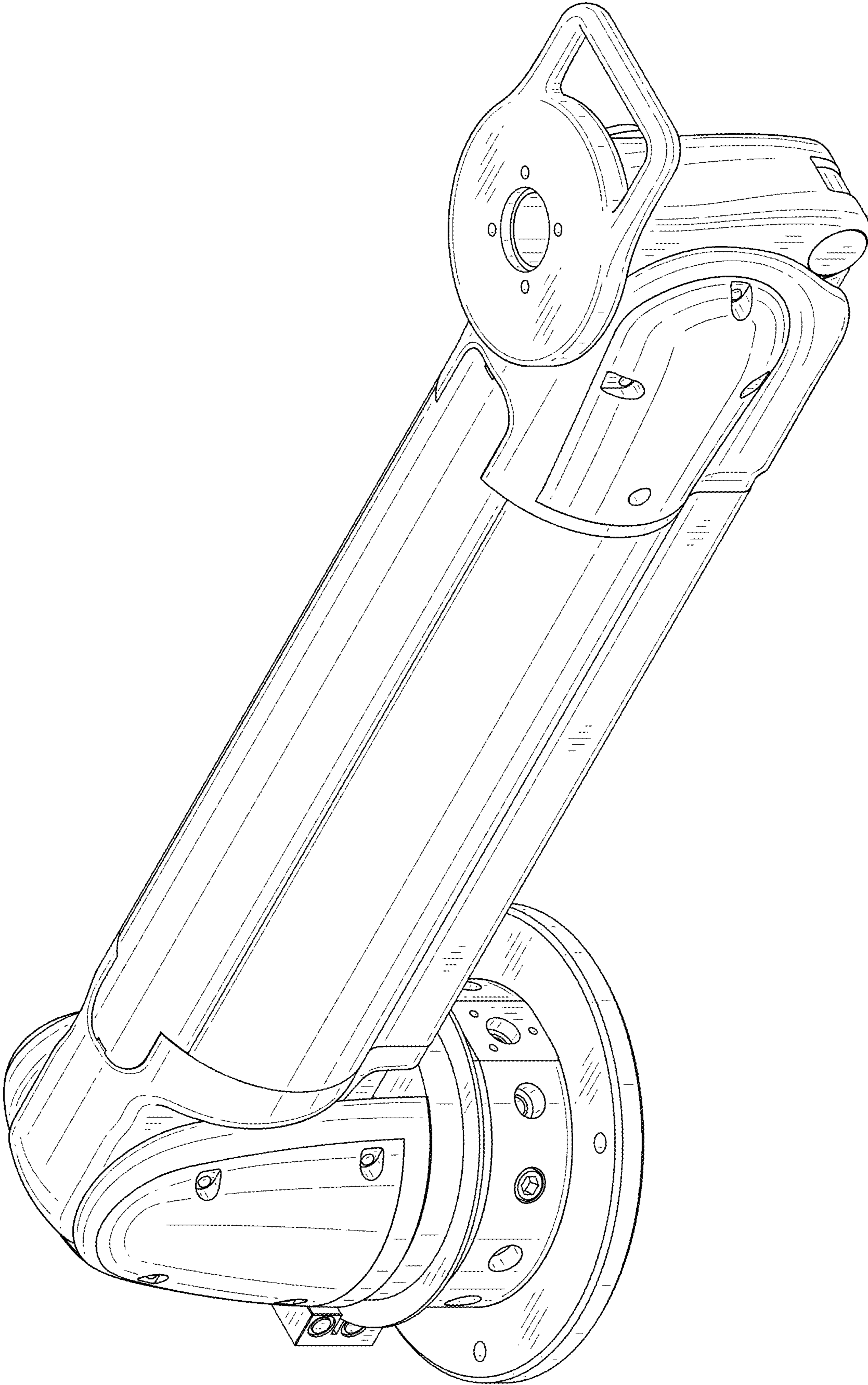


FIG.1

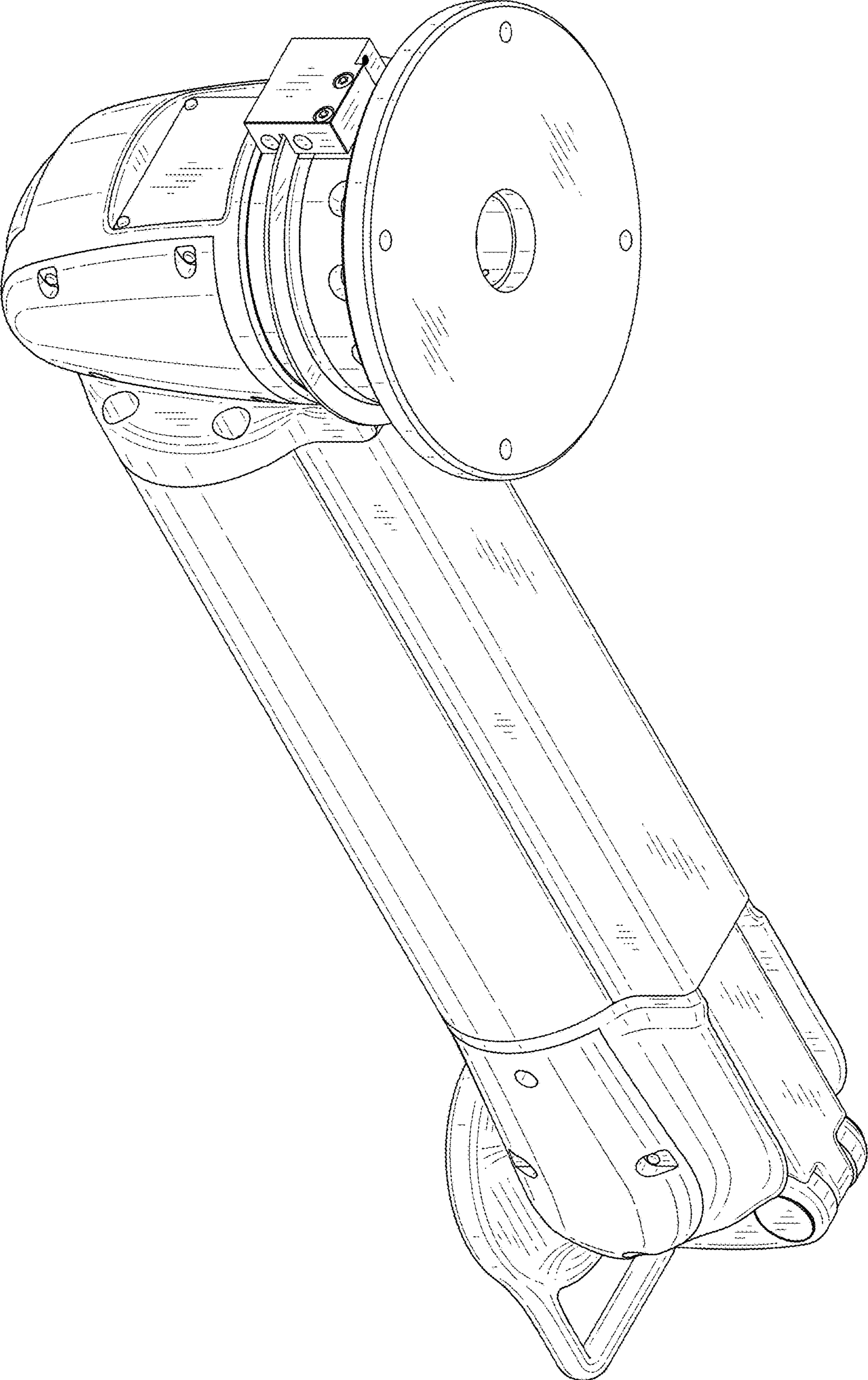


FIG.2

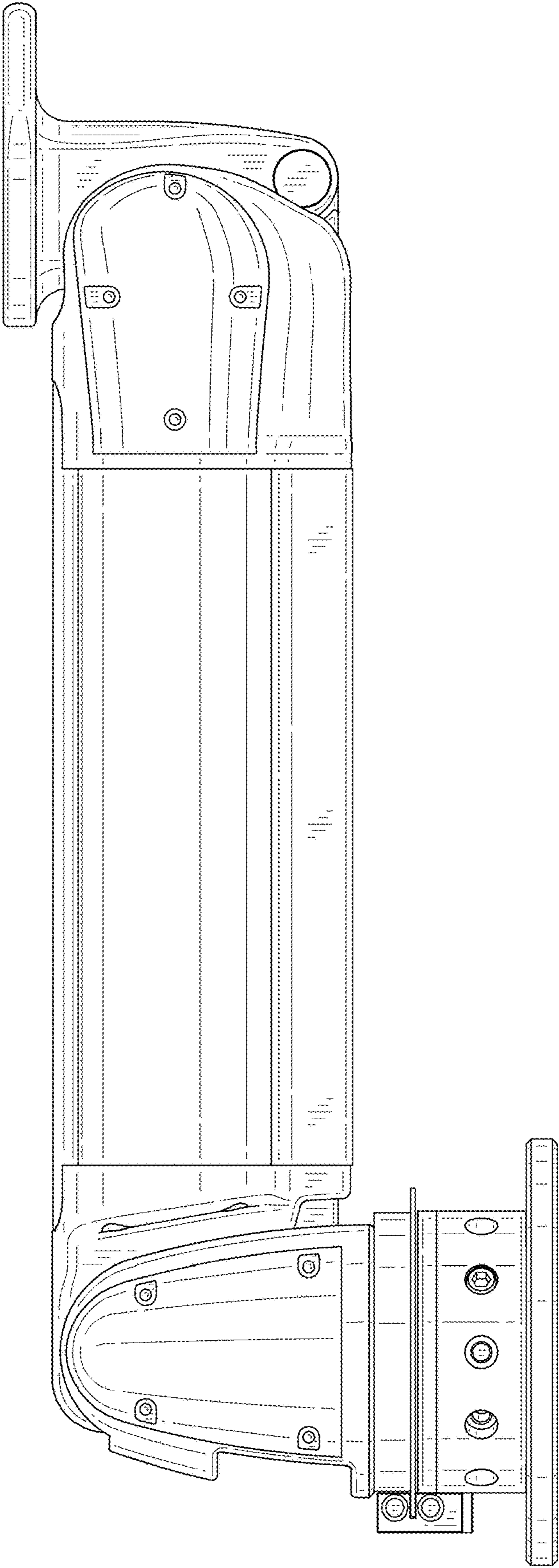
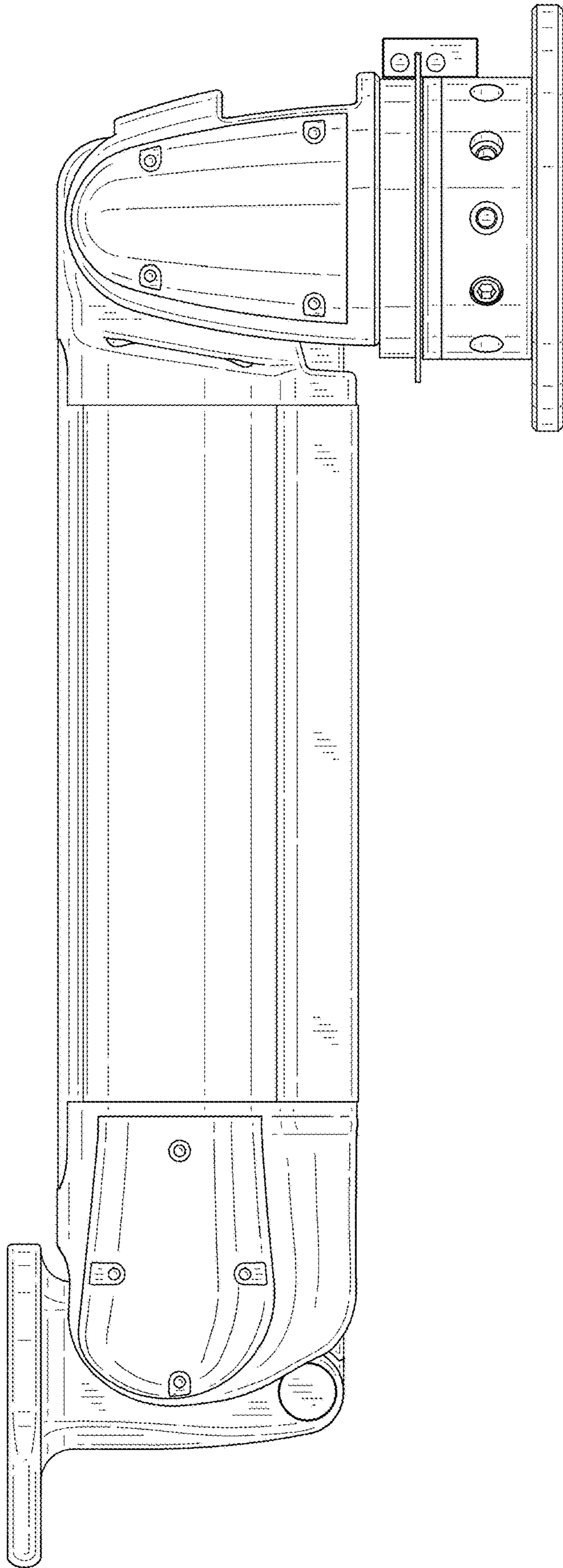


FIG.3

FIG.4



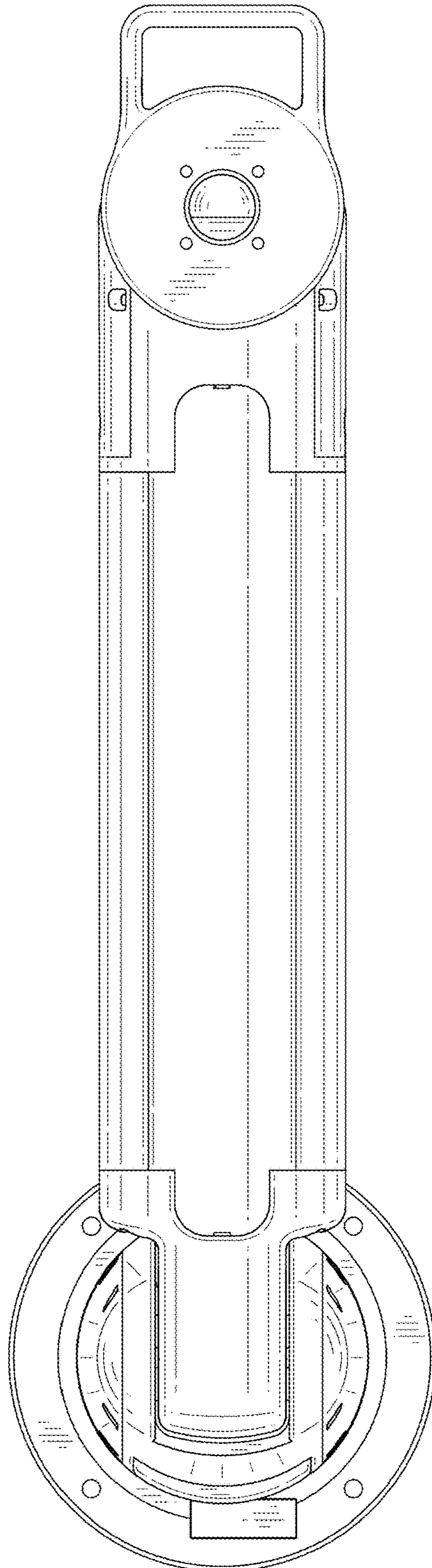


FIG.5

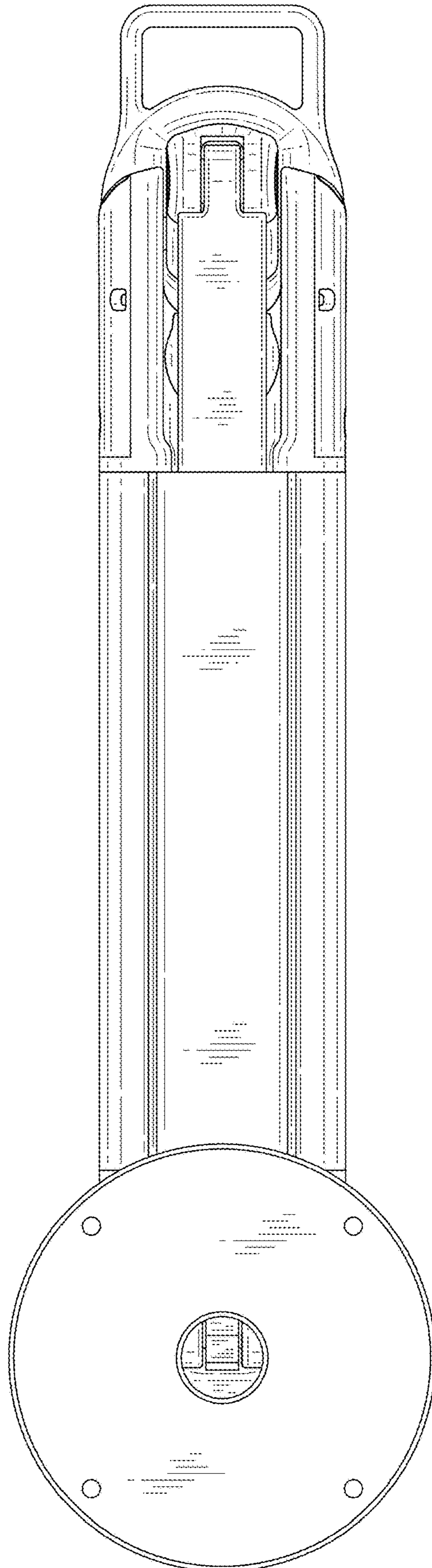


FIG.6

FIG.8

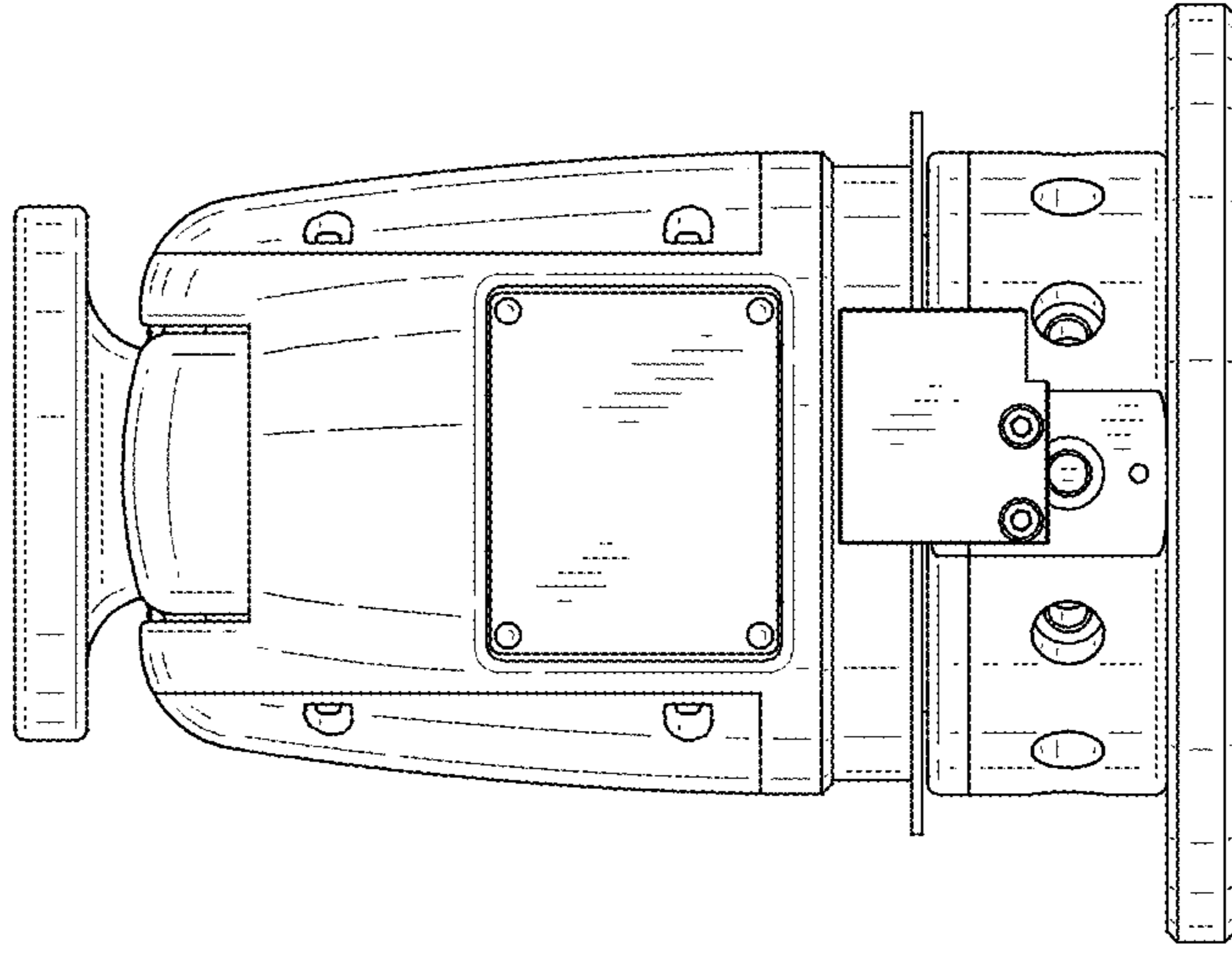
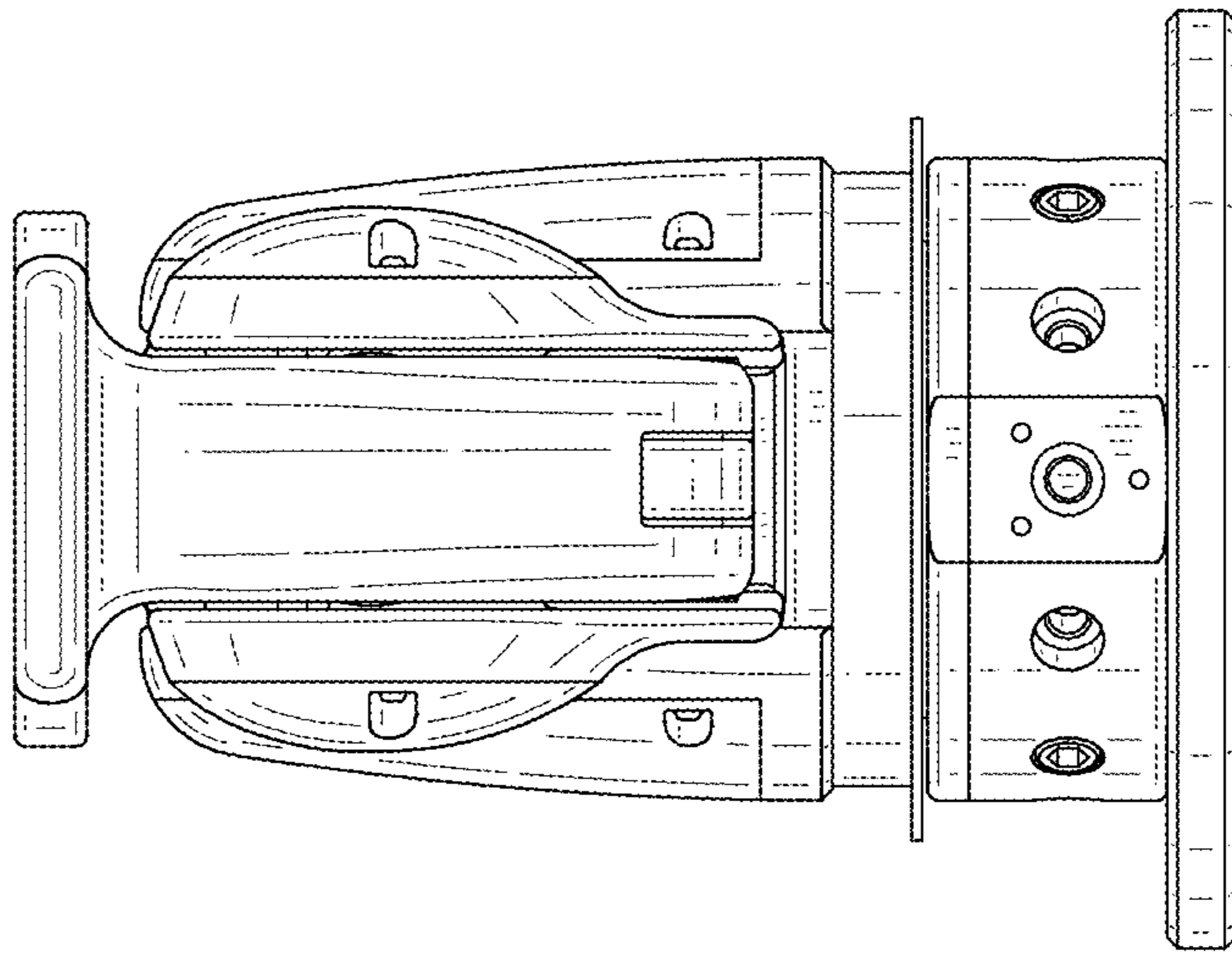


FIG.7





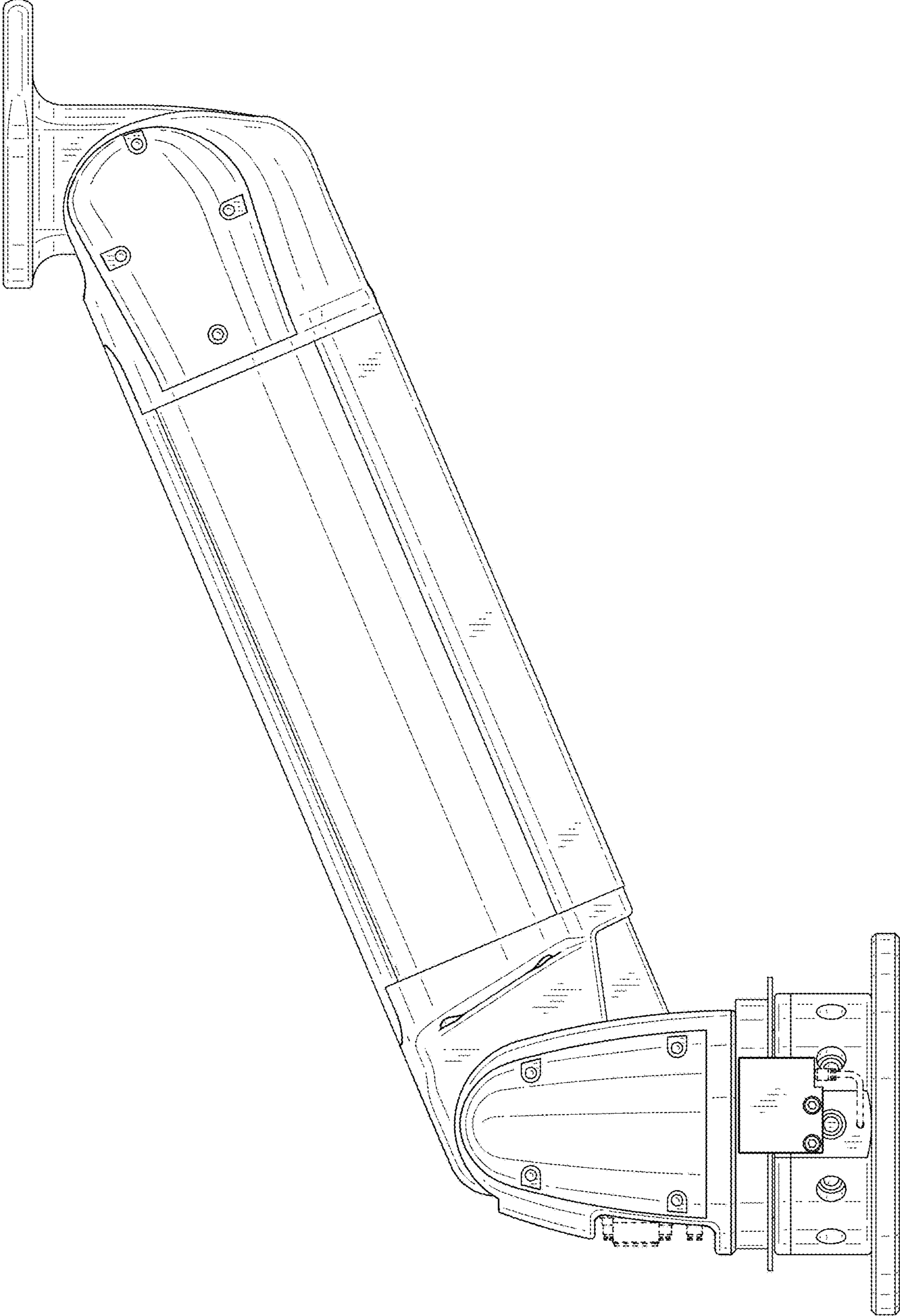
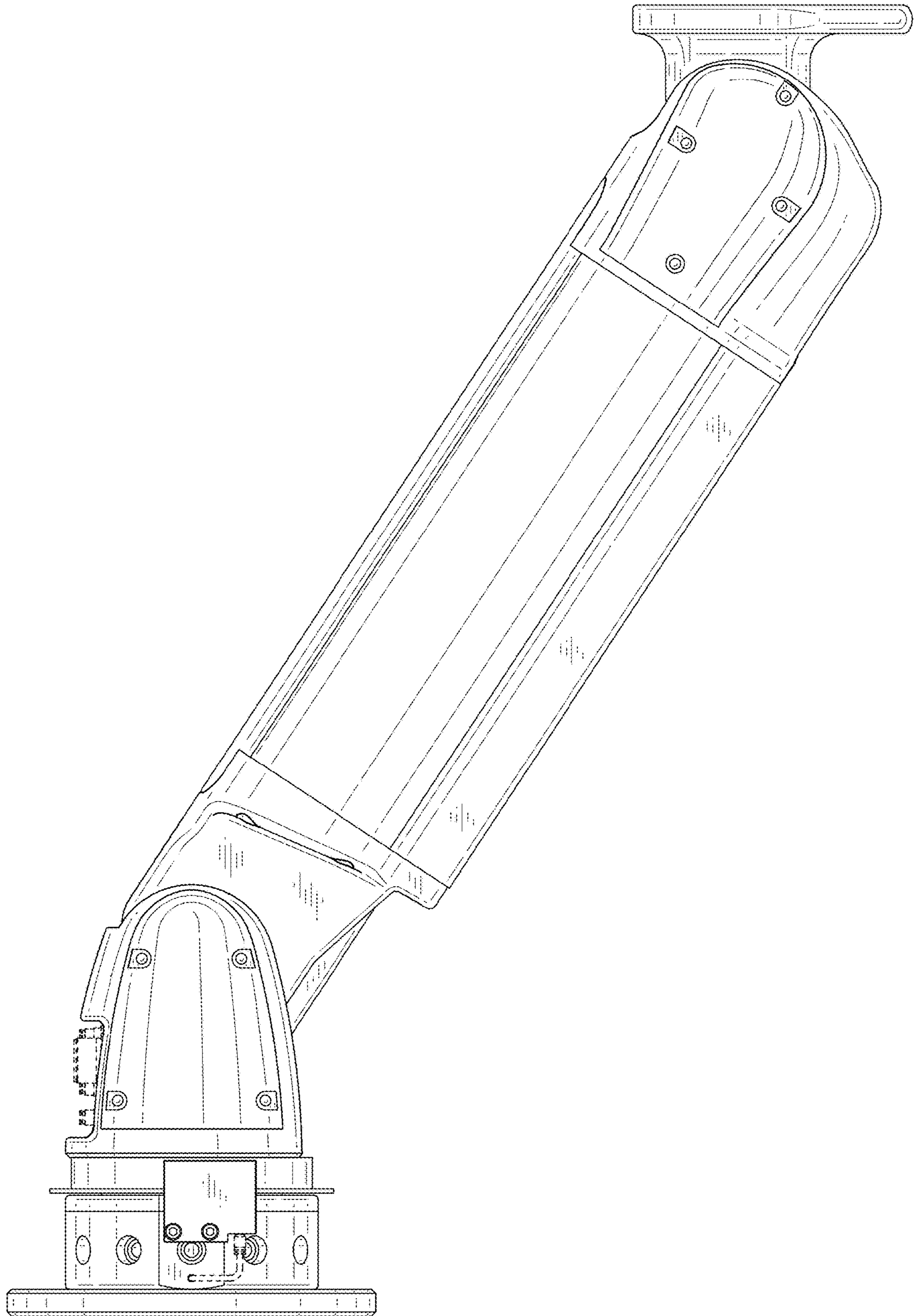


FIG.9

FIG. 10



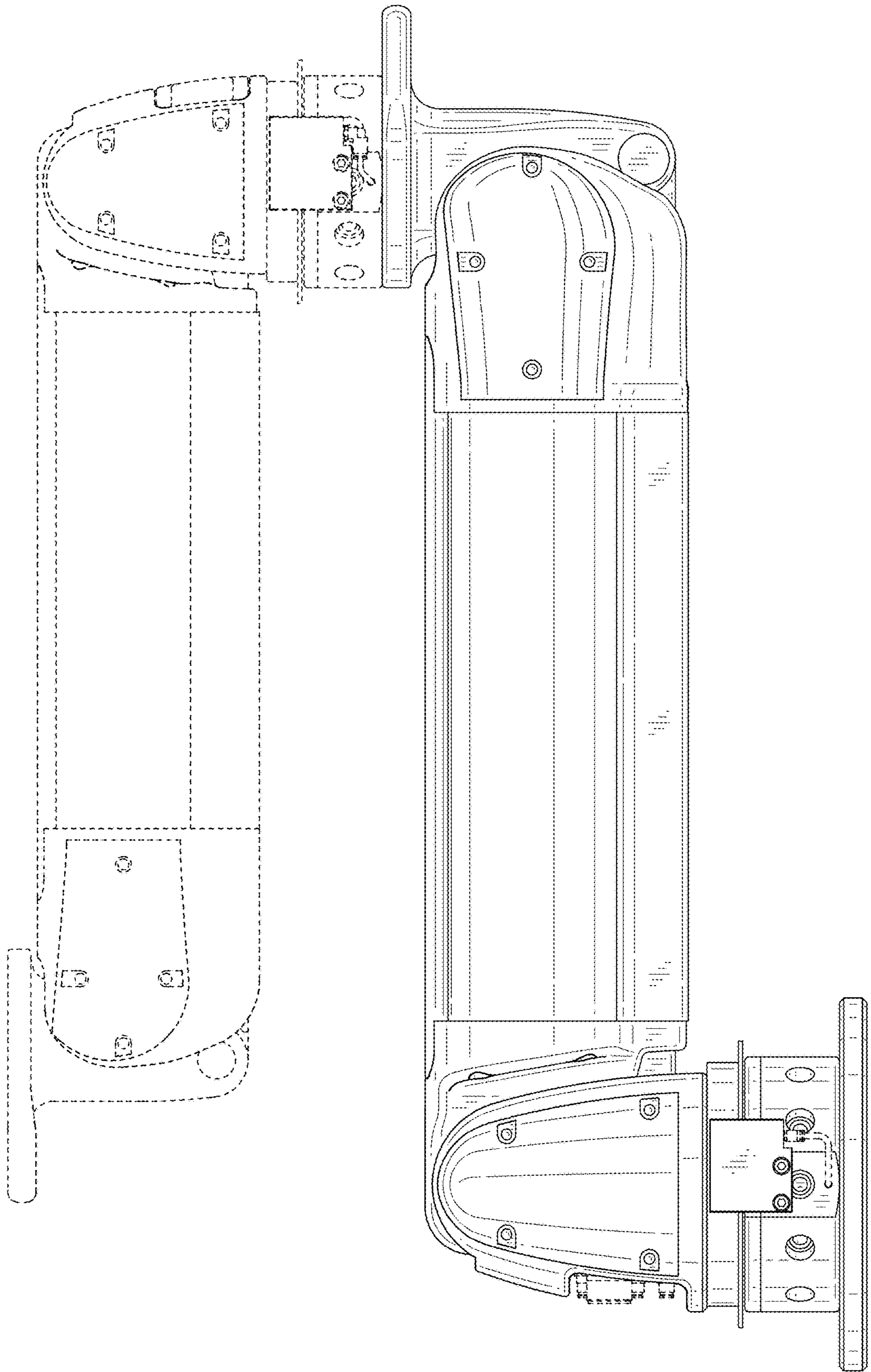


FIG.11