



US00D883297S

(12) **United States Design Patent** (10) **Patent No.:** **US D883,297 S**
Latto et al. (45) **Date of Patent:** **** May 5, 2020**

(54) **ALL-IN-ONE INFORMATION HANDLING SYSTEM STAND**

(71) Applicant: **Dell Products L.P.**, Round Rock, TX (US)

(72) Inventors: **Antonio T. Latto**, Austin, TX (US); **Joseph E. Jasinski**, Austin, TX (US); **Cheng-Chia Chiu**, New Taipei (TW); **Tifenn M. Boisard**, Cedar Park, TX (US); **Daniel A. Phipps**, Round Rock, TX (US)

(73) Assignee: **Dell Products L.P.**, Round Rock, TX (US)

(**) Term: **15 Years**

(21) Appl. No.: **29/700,499**

(22) Filed: **Aug. 2, 2019**

Related U.S. Application Data

(62) Division of application No. 29/593,608, filed on Feb. 10, 2017, now Pat. No. Des. 855,619.

(51) **LOC (12) Cl.** **08-07**

(52) **U.S. Cl.**
USPC **D14/447**

(58) **Field of Classification Search**
USPC D14/447, 432, 434, 439, 440, 451, 452, D14/457, 239, 253, 374, 375; D8/363, D8/373, 380; D6/406.3, 406.4, 406.5, D6/406.6; D12/415
CPC A47B 21/04; A47B 2097/006; A47B 2097/005; A47B 2023/049; A45C 2011/002; A45C 2011/003; F16M 2200/00; F16M 13/00

See application file for complete search history.

(56) **References Cited**

U.S. PATENT DOCUMENTS

D549,232 S * 8/2007 Li D14/434
D588,141 S * 3/2009 Heggland D14/434

D707,230 S * 6/2014 Castronovo D14/447
D709,896 S * 7/2014 McKinstry D14/447
D714,794 S * 10/2014 Quijano D14/447
D760,723 S * 7/2016 Won D14/447
D760,724 S * 7/2016 Kang D14/447
D784,998 S * 4/2017 Cutler D14/447
D787,522 S * 5/2017 Lee D14/451
D837,223 S * 1/2019 Wu D14/451
D841,014 S * 2/2019 Laudadio D14/447
D855,619 S * 8/2019 Latto D14/447

* cited by examiner

Primary Examiner — Angela J Lee

(74) *Attorney, Agent, or Firm* — Terrile, Cannatti & Chambers; Stephen A. Terrile

(57) **CLAIM**

We claim the ornamental design for the all-in-one information handling system stand, as shown and described.

DESCRIPTION

FIG. 1 is a front perspective view of the all-in-one information handling system stand comprising the present invention;

FIG. 2 is a front view thereof;

FIG. 3 is a rear view thereof;

FIG. 4 is a right side view thereof;

FIG. 5 is a left side view thereof;

FIG. 6 is top view thereof;

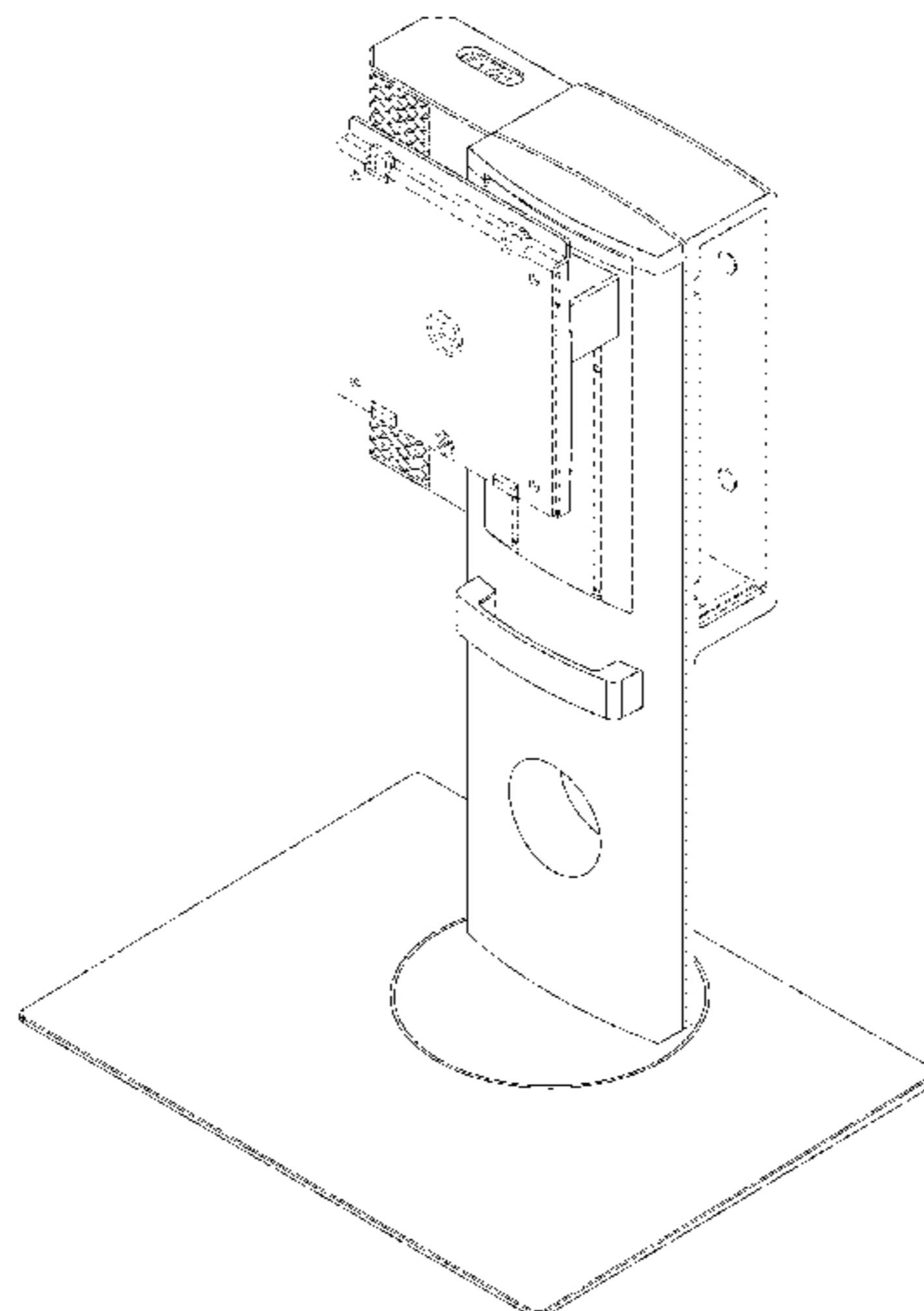
FIG. 7 is a bottom view thereof;

FIG. 8 is a rear perspective view thereof; and,

FIG. 9 is another rear perspective view thereof showing the all-in-one information handling system stand in alternate position.

Broken lines shown in the drawings illustrate portions of the all-in-one information handling system stand and form no part of the claimed design.

1 Claim, 9 Drawing Sheets



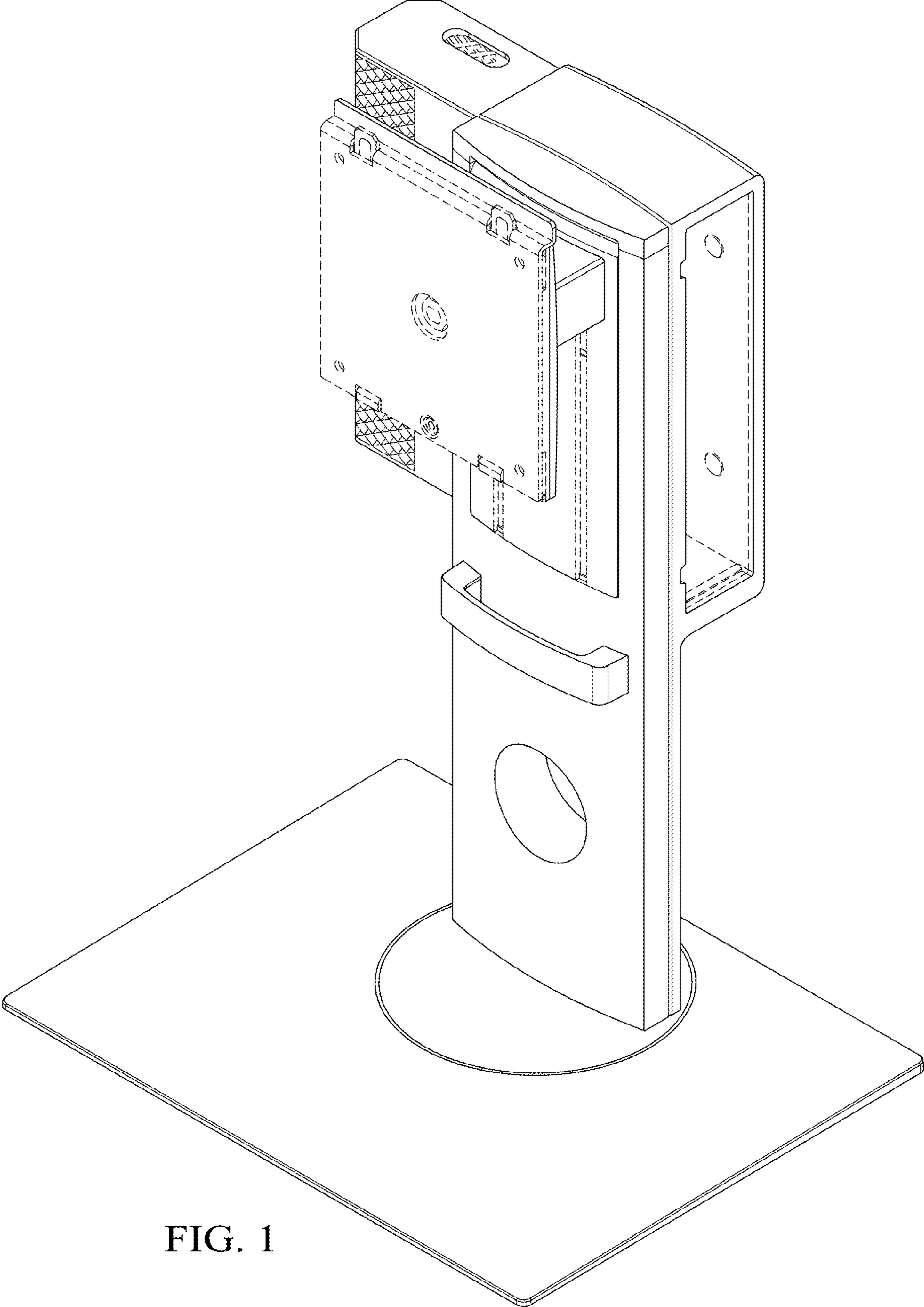


FIG. 1

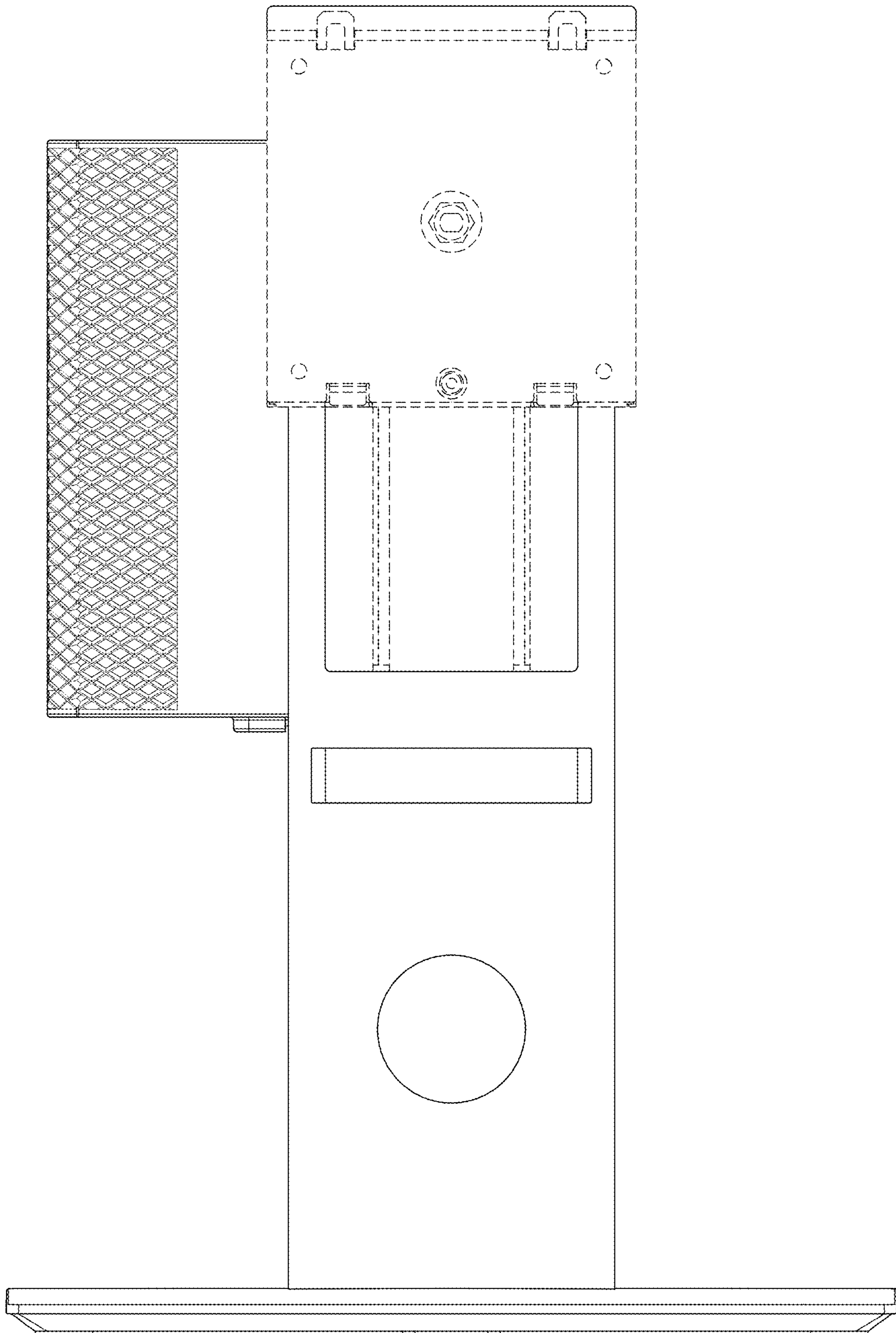


FIG. 2

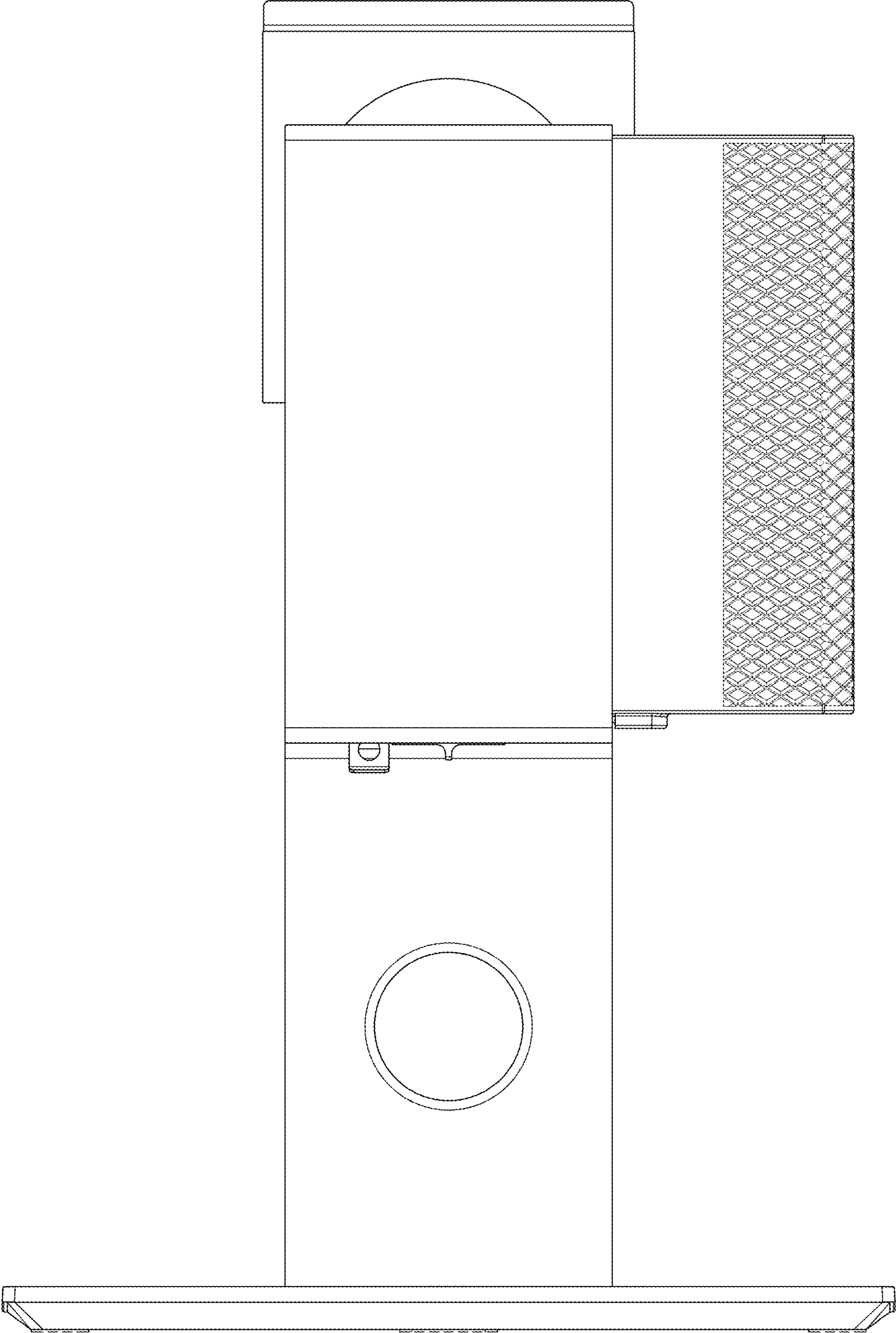


FIG. 3

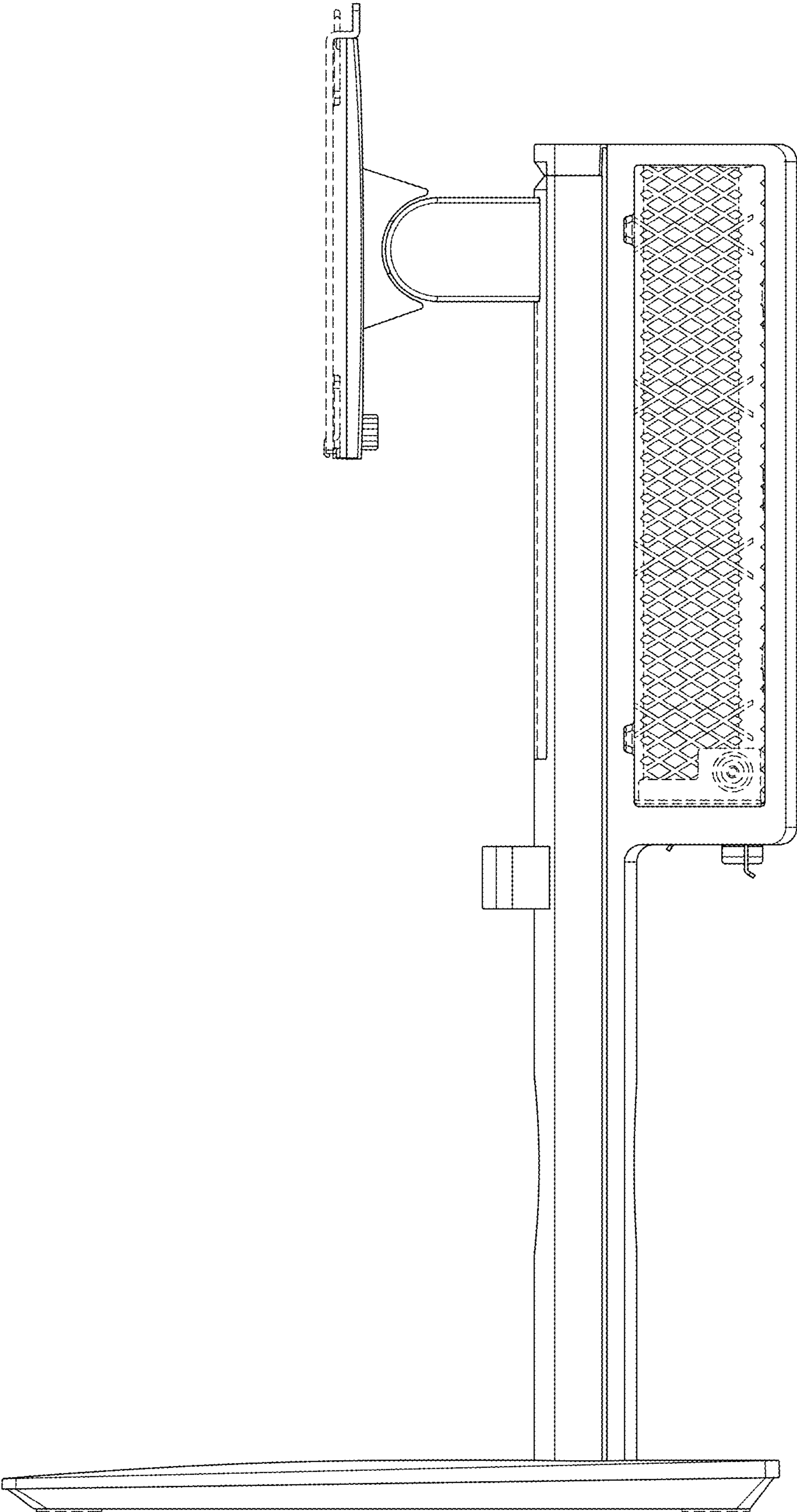


FIG. 4

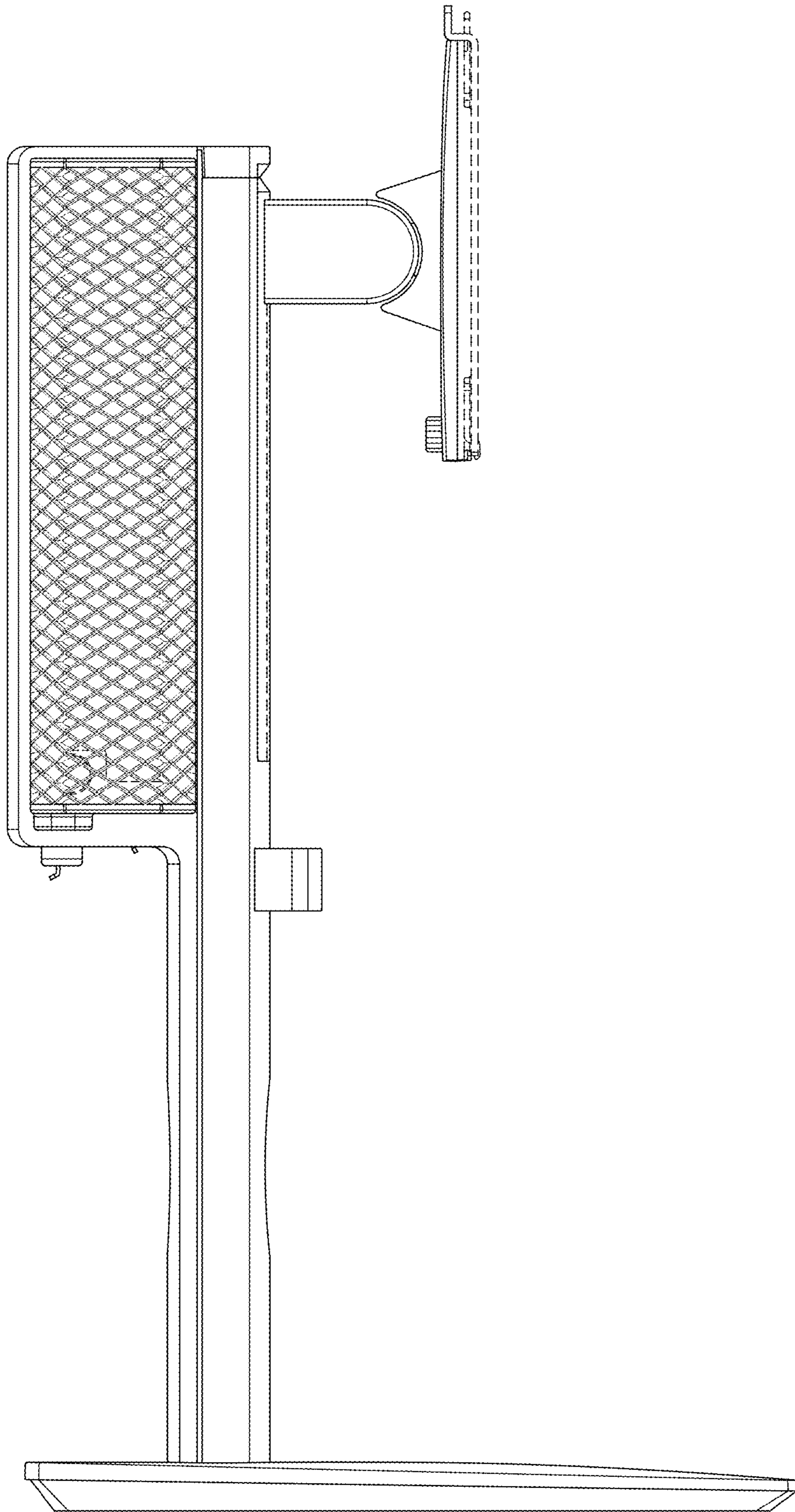


FIG. 5

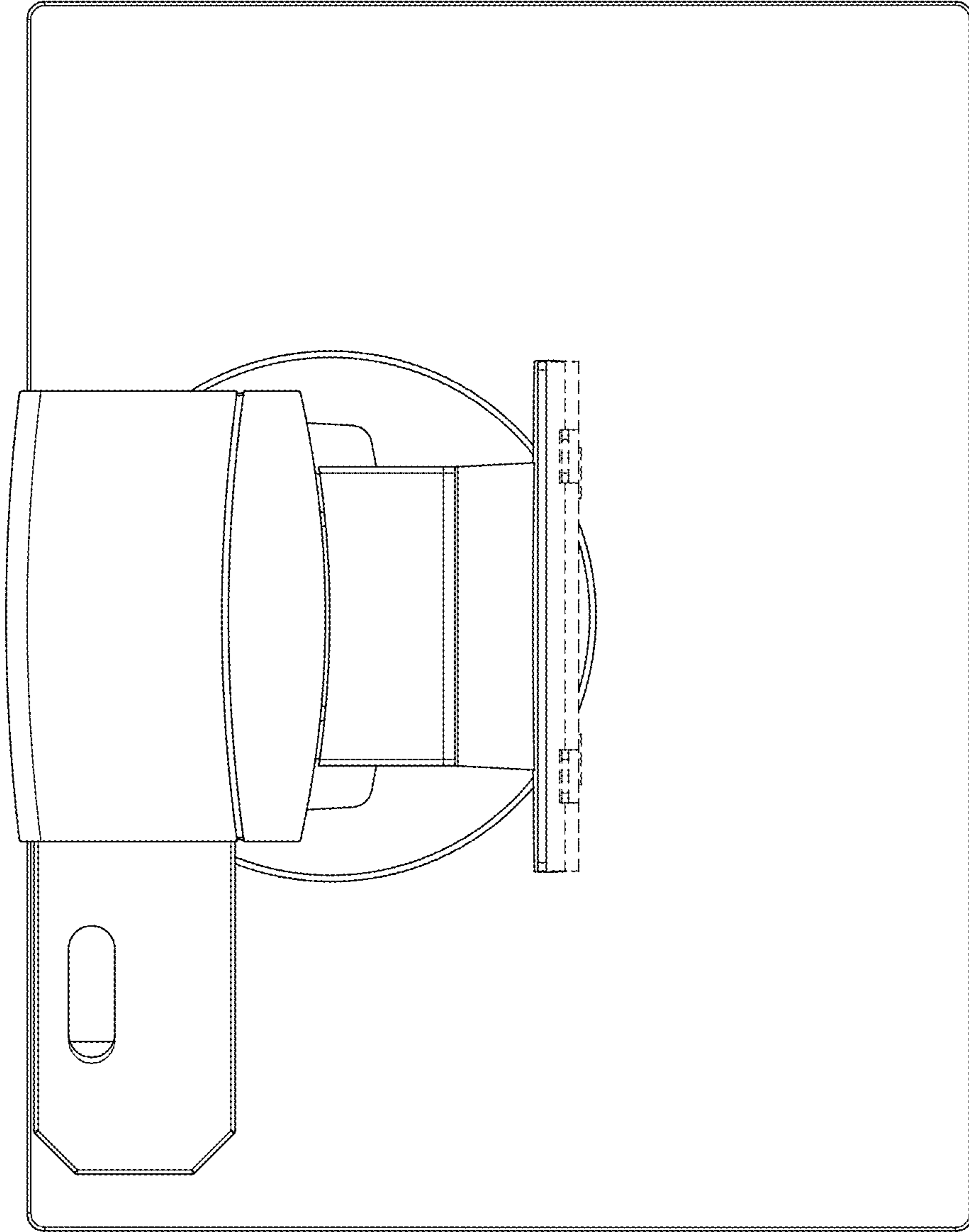


FIG. 6

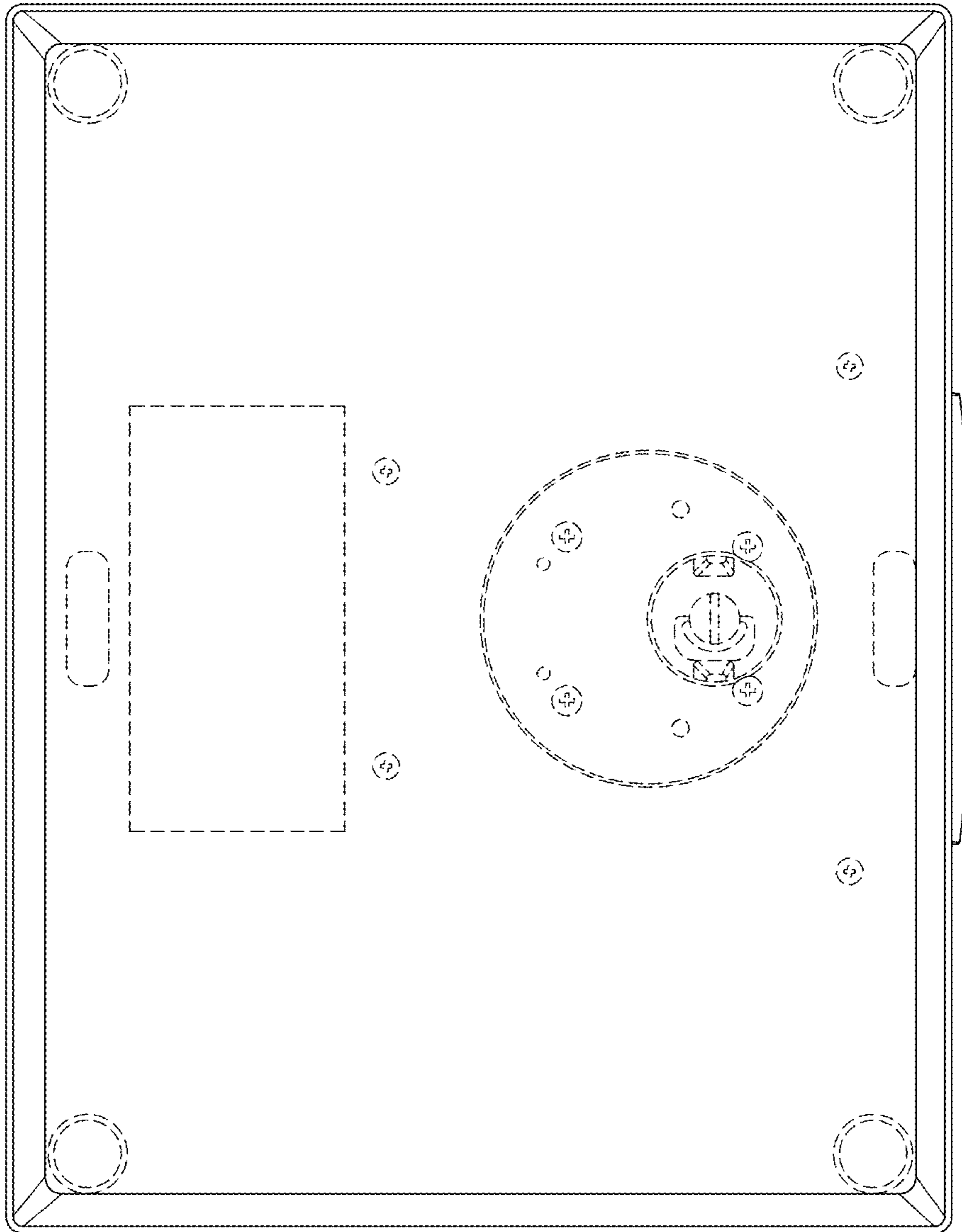


FIG. 7

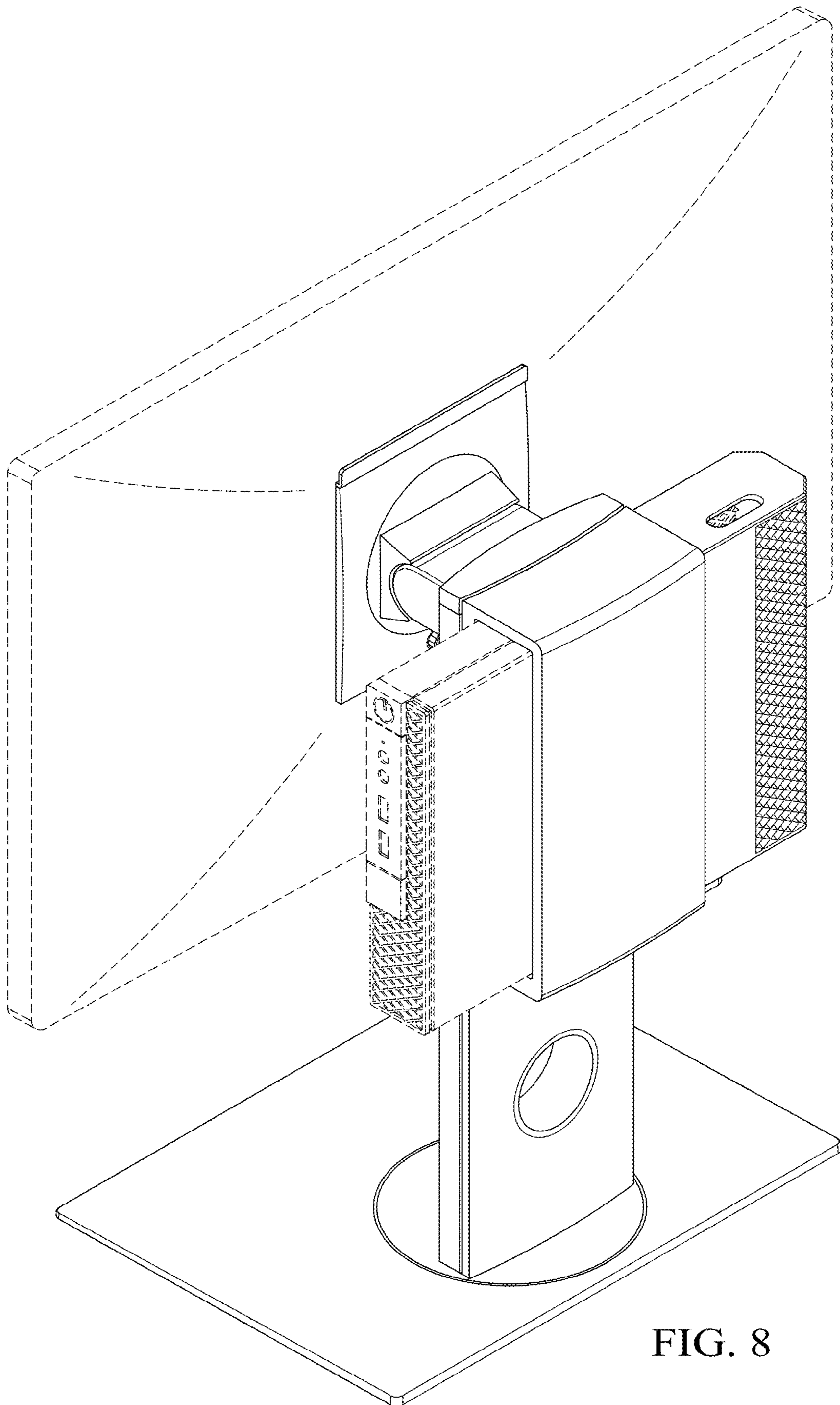


FIG. 8

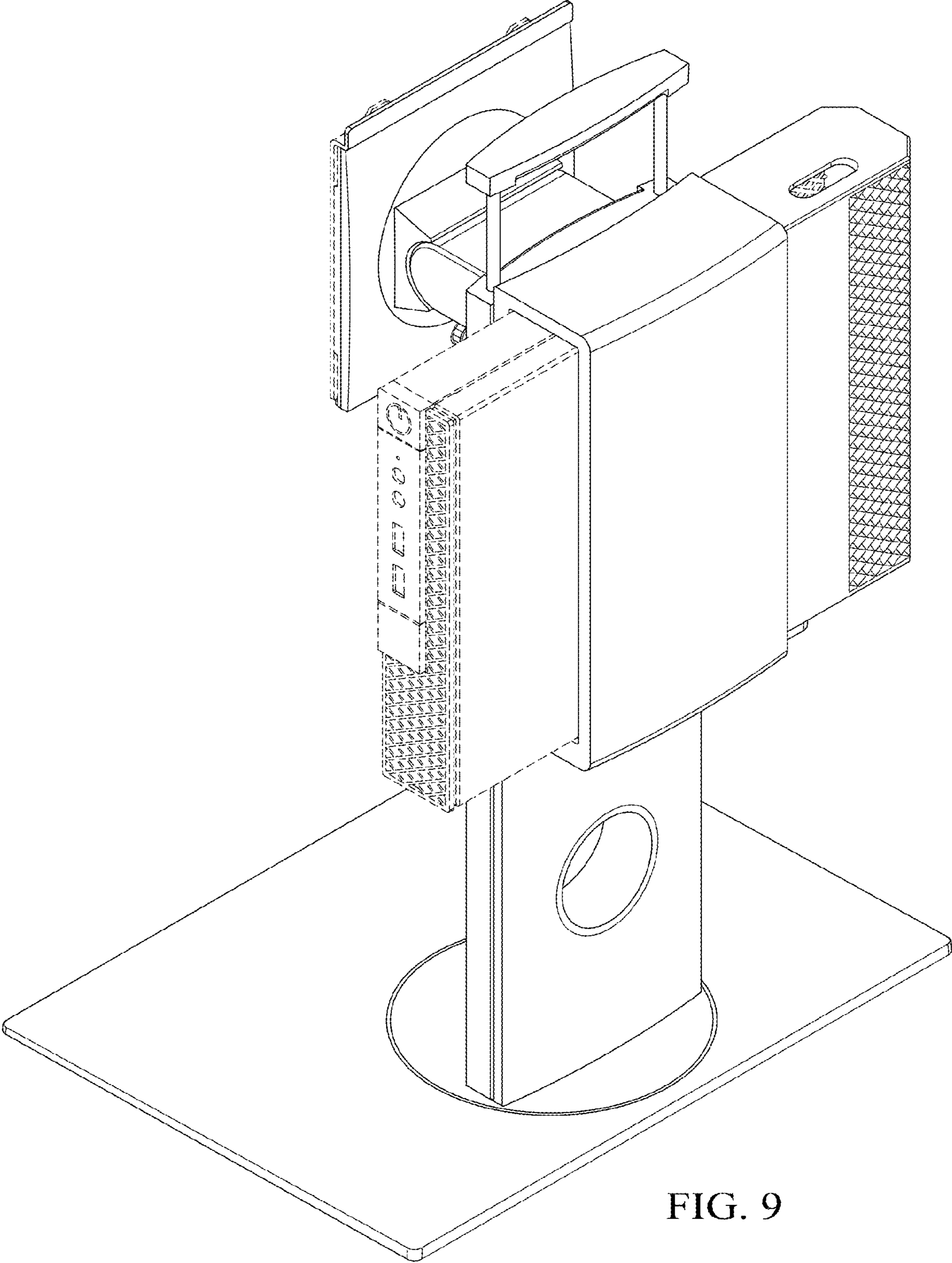


FIG. 9