



US00D883296S

(12) **United States Design Patent** (10) **Patent No.:** **US D883,296 S**
Lee (45) **Date of Patent:** **** May 5, 2020**

(54) **PROTECTIVE COVER SKIN FOR ELECTRONIC DEVICE**

(71) Applicant: **elago CO. LTD**, Goyang-si, Gyeonggi-do (KR)

(72) Inventor: **Chanwoo Lee**, Goyang-si (KR)

(73) Assignee: **elago CO. LTD**, Goyang-si, Gyeonggi-Do (KR)

(**) Term: **15 Years**

(21) Appl. No.: **29/718,750**

(22) Filed: **Dec. 27, 2019**

(51) **LOC (12) Cl.** **14-02**

(52) **U.S. Cl.**
USPC **D14/440**

(58) **Field of Classification Search**
USPC D14/440, 447, 250; 206/45.23, 320, 206/45.2; 361/679.55; 294/25; 224/218; D3/294; D9/420

(Continued)

(56) **References Cited**

U.S. PATENT DOCUMENTS

D323,929 S * 2/1992 Hodson D14/440
D377,788 S * 2/1997 Carlson D14/440

(Continued)

FOREIGN PATENT DOCUMENTS

CN 304616205 5/2018
CN 304708016 7/2018

(Continued)

Primary Examiner — Cynthia R Underwood

(74) *Attorney, Agent, or Firm* — Paratus Law Group, PLLC

(57) **CLAIM**

The ornamental design for a protective cover skin for electronic device, as shown and described.

DESCRIPTION

FIG. 1 is a front, top, and right perspective view of a protective cover skin for electronic device, showing a first embodiment of the claimed design;

FIG. 2 is a front view of the first embodiment;

FIG. 3 is a back view of the first embodiment;

FIG. 4 is a left side view of the first embodiment;

FIG. 5 is a right view of the first embodiment;

FIG. 6 is a top view of the first embodiment;

FIG. 7 is a bottom view of the first embodiment;

FIG. 8 is a rear, top, and right perspective view of the first embodiment;

FIG. 9 is a front, bottom, and right perspective view of the first embodiment;

FIG. 10 is an exploded front, top and right perspective view of the first embodiment with a top portion open in use;

FIG. 11 is a front, top, and right perspective view of a protective cover skin for electronic device, showing a second embodiment of the claimed design;

FIG. 12 is a front view of the second embodiment;

FIG. 13 is a back view of the second embodiment;

FIG. 14 is a left side view of the second embodiment;

FIG. 15 is a right view of the second embodiment;

FIG. 16 is a top view of the second embodiment;

FIG. 17 is a bottom view of the second embodiment;

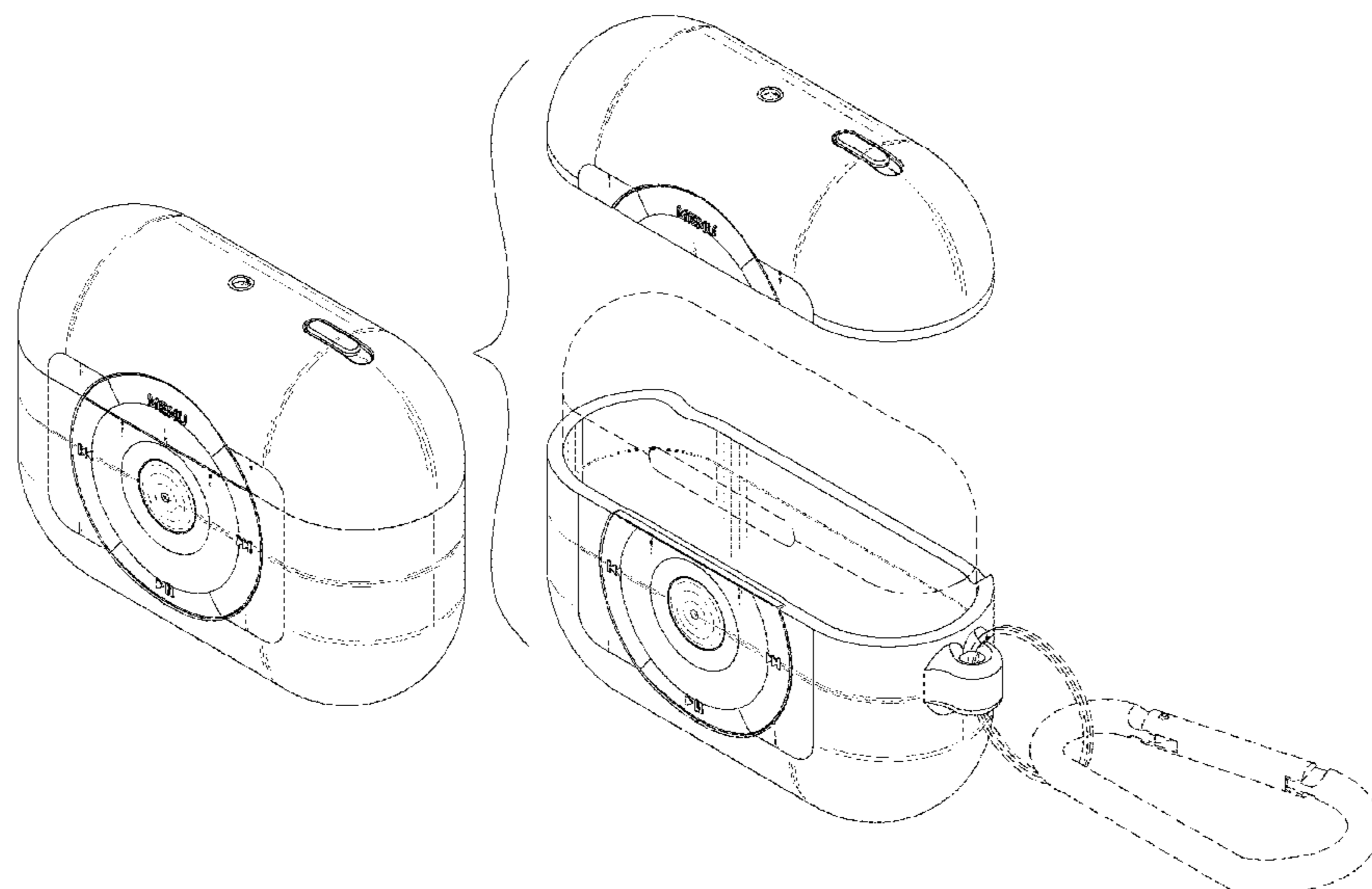
FIG. 18 is a rear, top, and right perspective view of the second embodiment;

FIG. 19 is a rear, bottom, and right perspective view of the second embodiment; and,

FIG. 20 is an exploded front, top and right perspective view of the second embodiment with a top portion open in use.

The broken lines shown in FIGS. 3, 10, 13 and 20 depict parts of the protective cover skin for electronic device but form no part of the claimed design. The broken lines shown in FIGS. 10 and 20 forming a keyring and carabiner depict environment and form no part of the claimed design.

1 Claim, 10 Drawing Sheets



(58) **Field of Classification Search**
 CPC G06F 1/1628; G06F 1/1626; A47B 23/044
 See application file for complete search history.

(56) **References Cited**

U.S. PATENT DOCUMENTS

D467,799	S	*	12/2002	Persson	D9/420
D489,051	S		4/2004	Shiraki et al.		
D558,973	S	*	1/2008	Hussaini	D3/201
D650,355	S		12/2011	Andre et al.		
D656,159	S		3/2012	Andre et al.		
D665,820	S		8/2012	Andre et al.		
D714,296	S	*	9/2014	Fujioka	D14/440
8,831,538	B2	*	9/2014	Yuen	A61B 5/222
						455/90.1
D720,096	S	*	12/2014	McDougall	D28/66
D740,692	S	*	10/2015	Christie	D9/748
D764,476	S	*	8/2016	Gleason, III	D14/440
D806,388	S		1/2018	Akana et al.		
D810,421	S	*	2/2018	Ross	D3/203.1
D812,065	S	*	3/2018	Shim	D14/440

D817,640	S	*	5/2018	Dang	D3/294
D818,268	S	*	5/2018	Akana	D3/294
D846,264	S	*	4/2019	Wu	D3/201
D849,401	S	*	5/2019	Akana	D3/274
D851,913	S		6/2019	Yu		
D864,971	S		10/2019	Lee et al.		
D868,453	S		12/2019	Lee et al.		
D868,465	S		12/2019	Lee et al.		
D872,094	S	*	1/2020	Wright	D14/440
D873,217	S	*	1/2020	Zhang	D13/108
D876,821	S	*	3/2020	Lee	D3/203.3
2007/0184781	A1		8/2007	Huskinson		
2007/0256946	A1	*	11/2007	Godshaw	B65D 25/10
						206/320

FOREIGN PATENT DOCUMENTS

CN	304814243	9/2018
CN	304877424	11/2018
GB	6040802	8/2018
KR	301028794.0000	10/2019
KR	301028795.0000	10/2019

* cited by examiner

FIG. 1

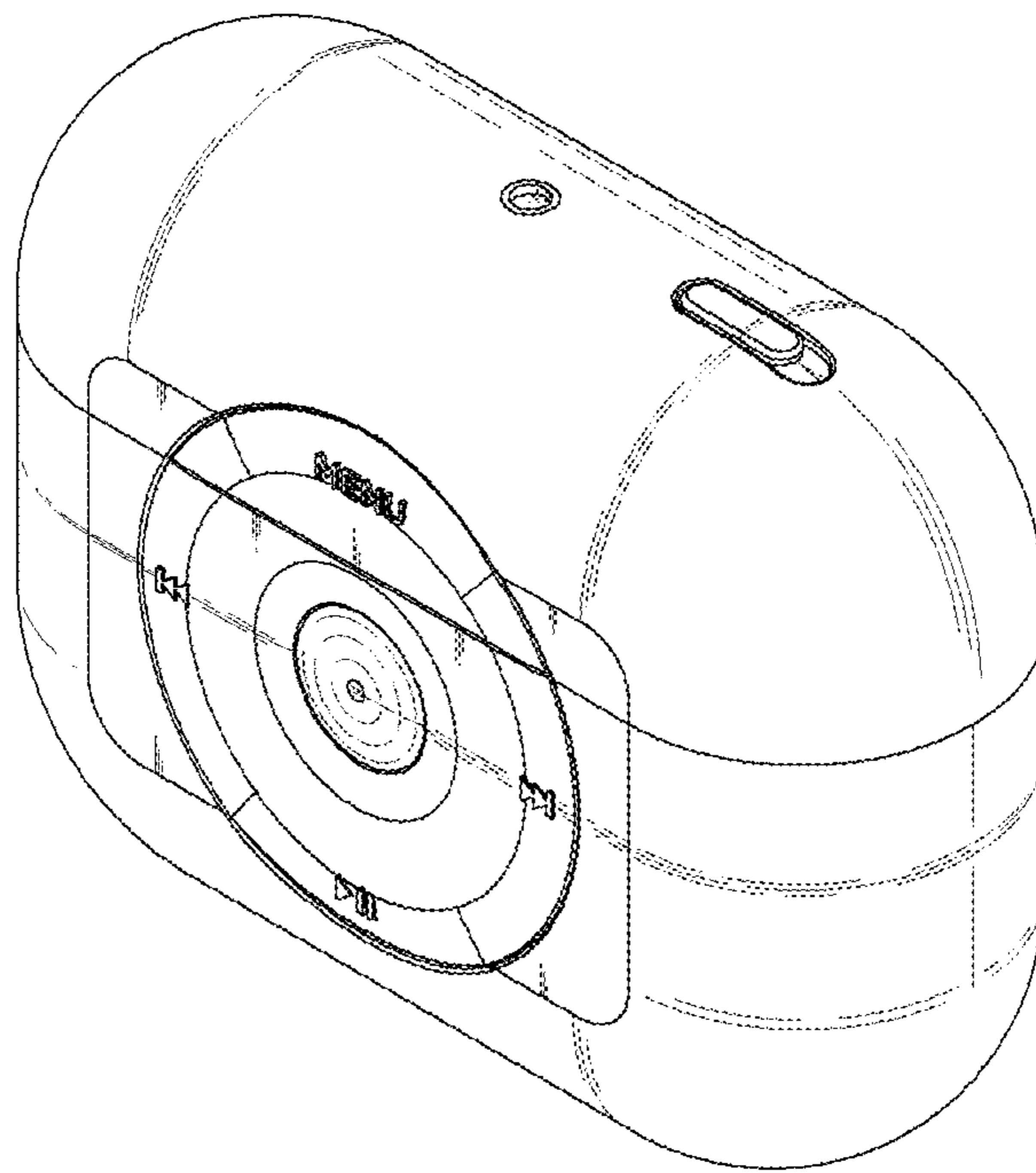


FIG. 2

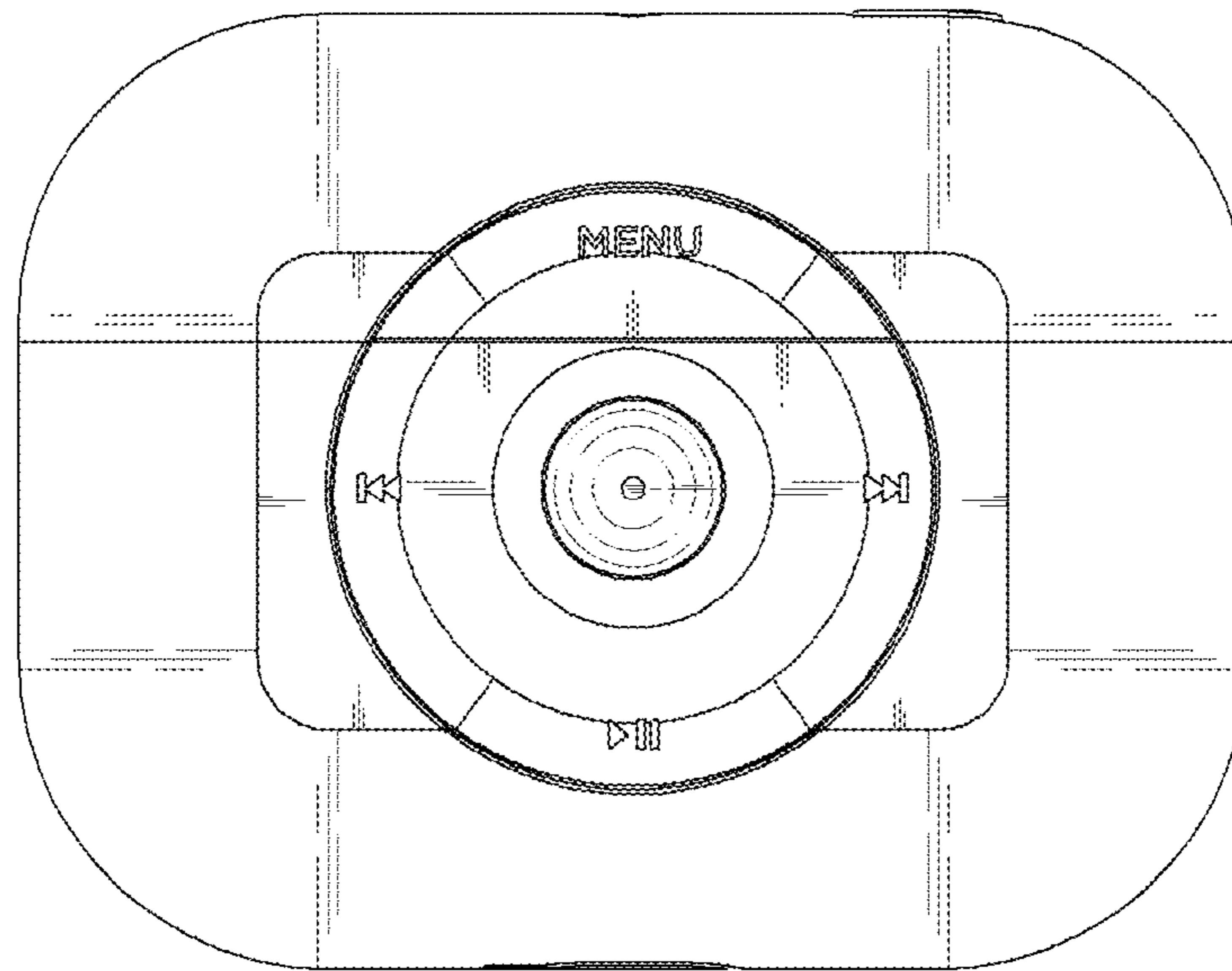


FIG. 3

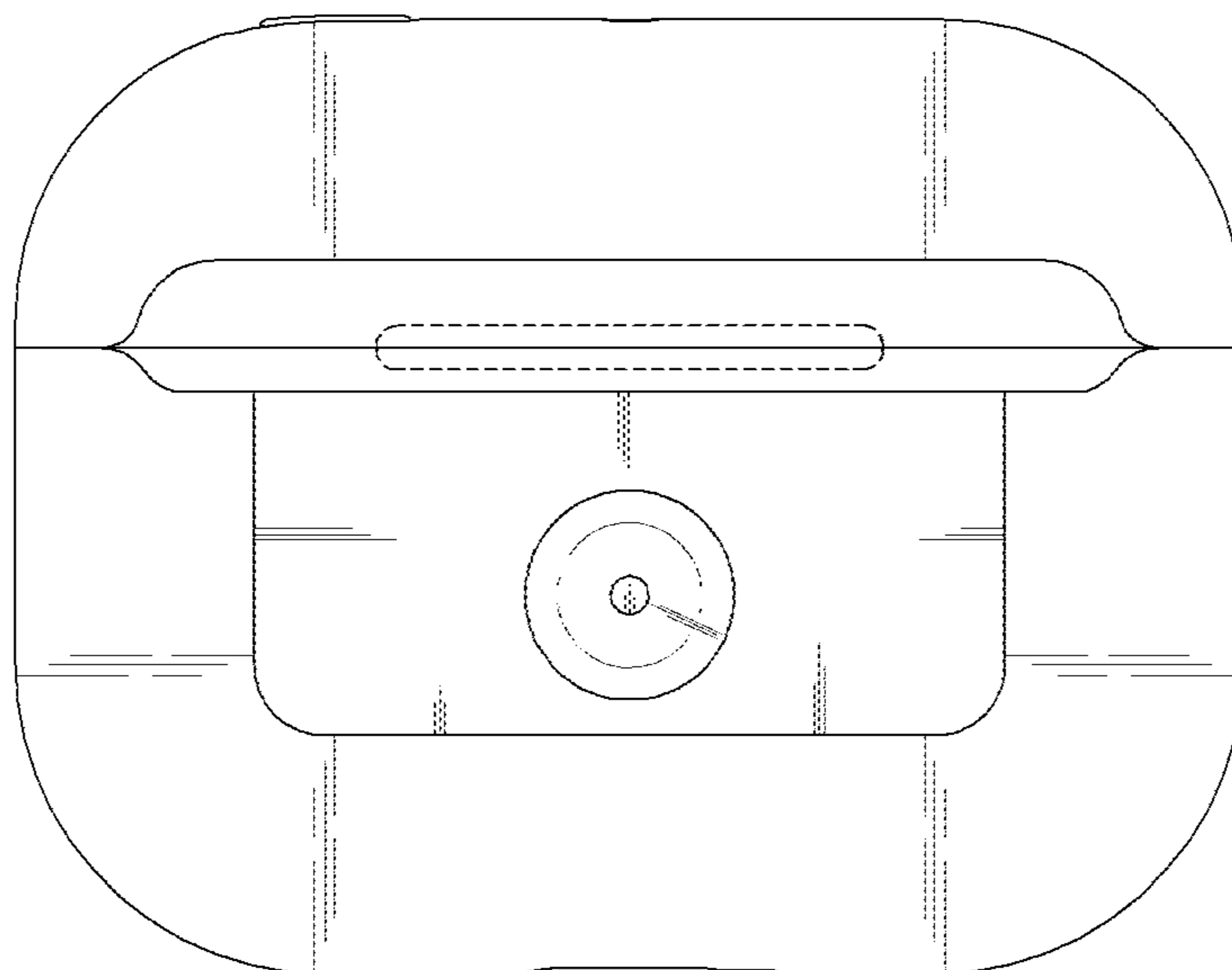


FIG. 4

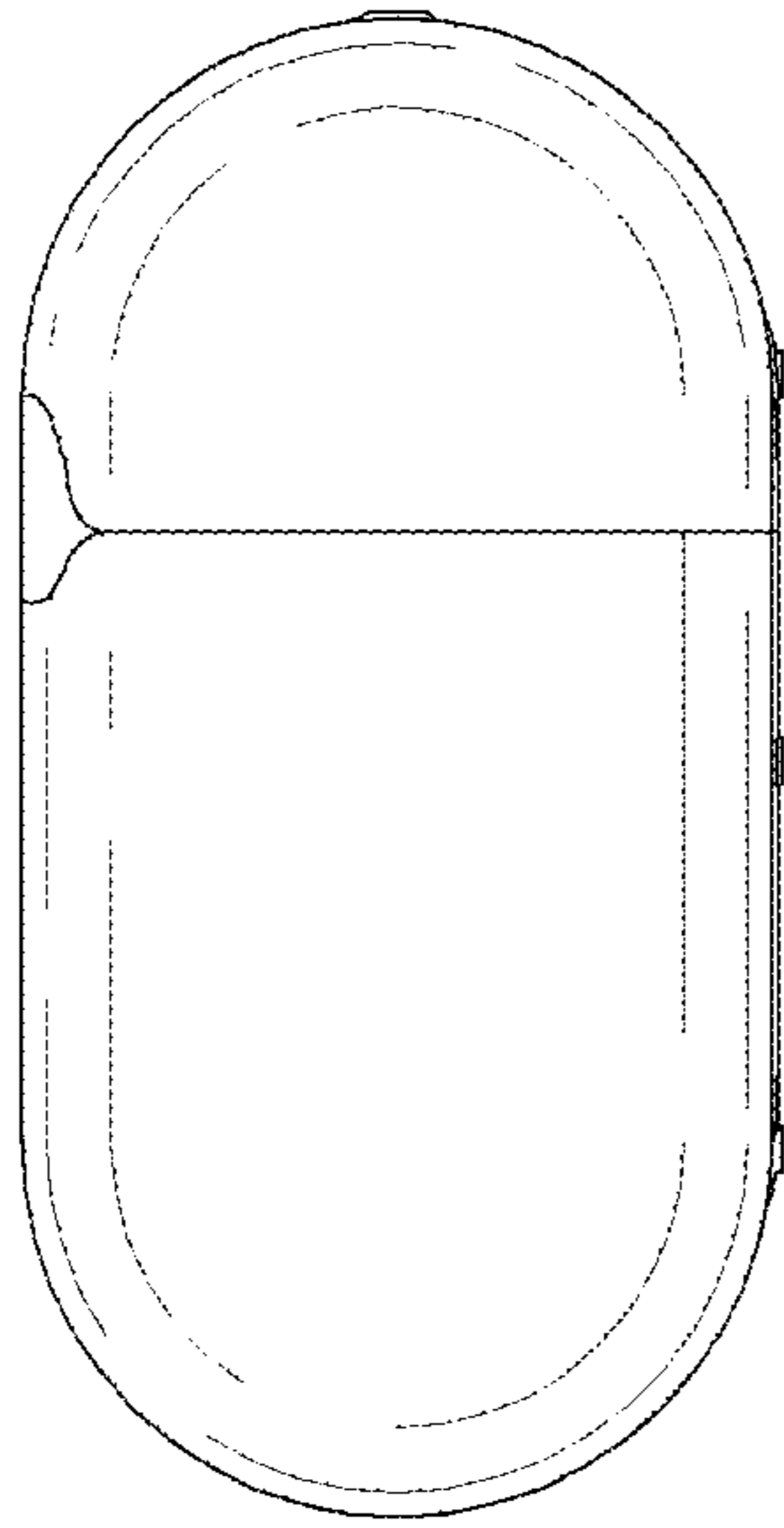


FIG. 5

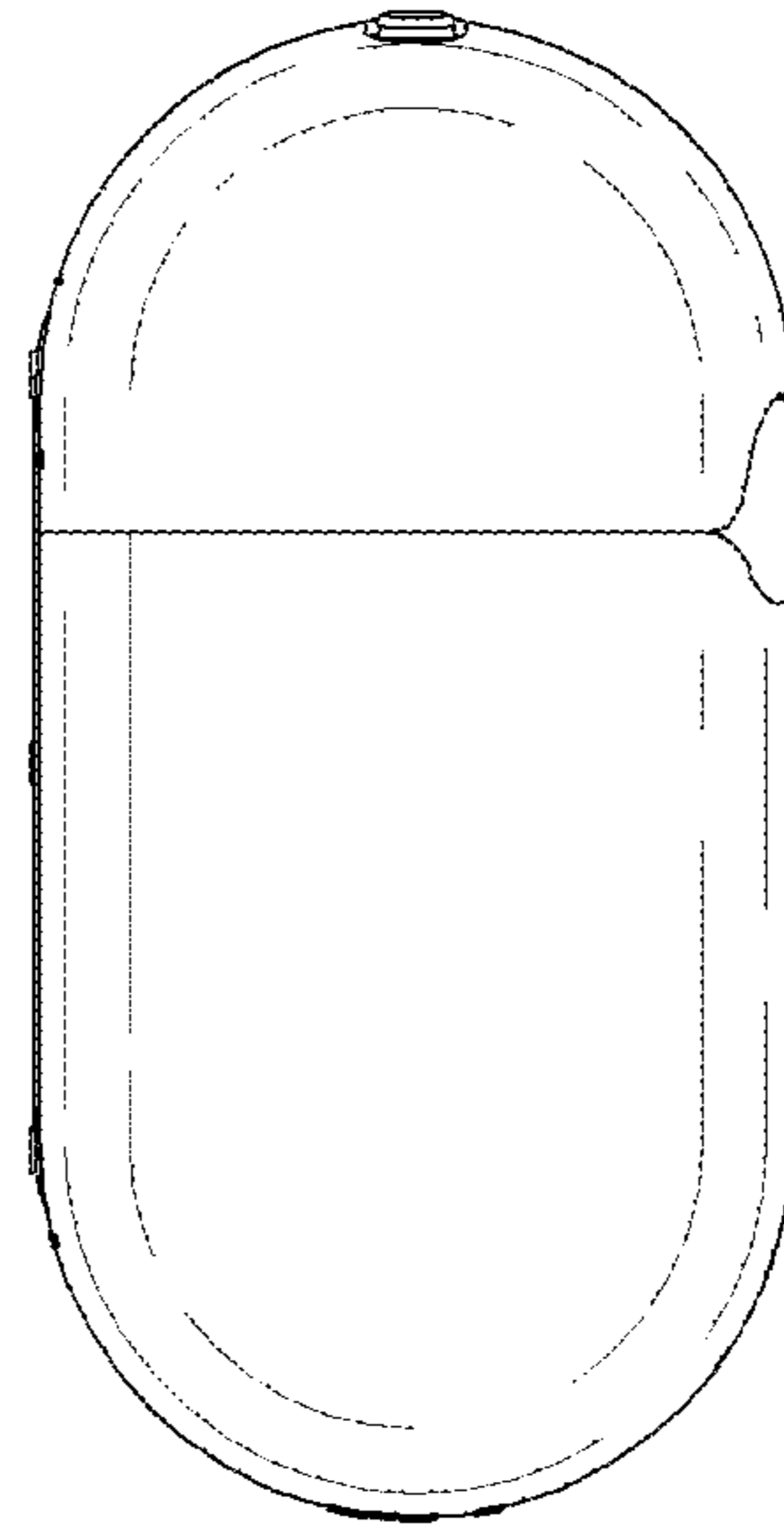


FIG. 6

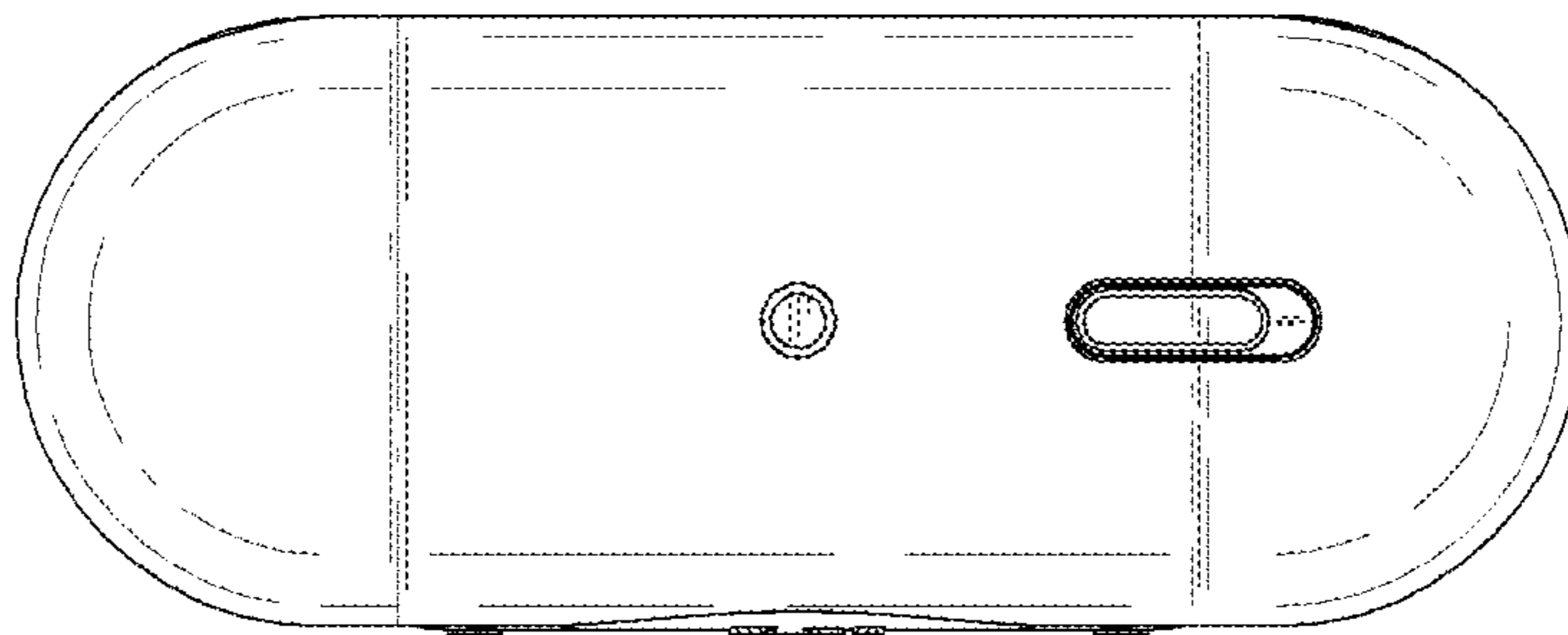


FIG. 7

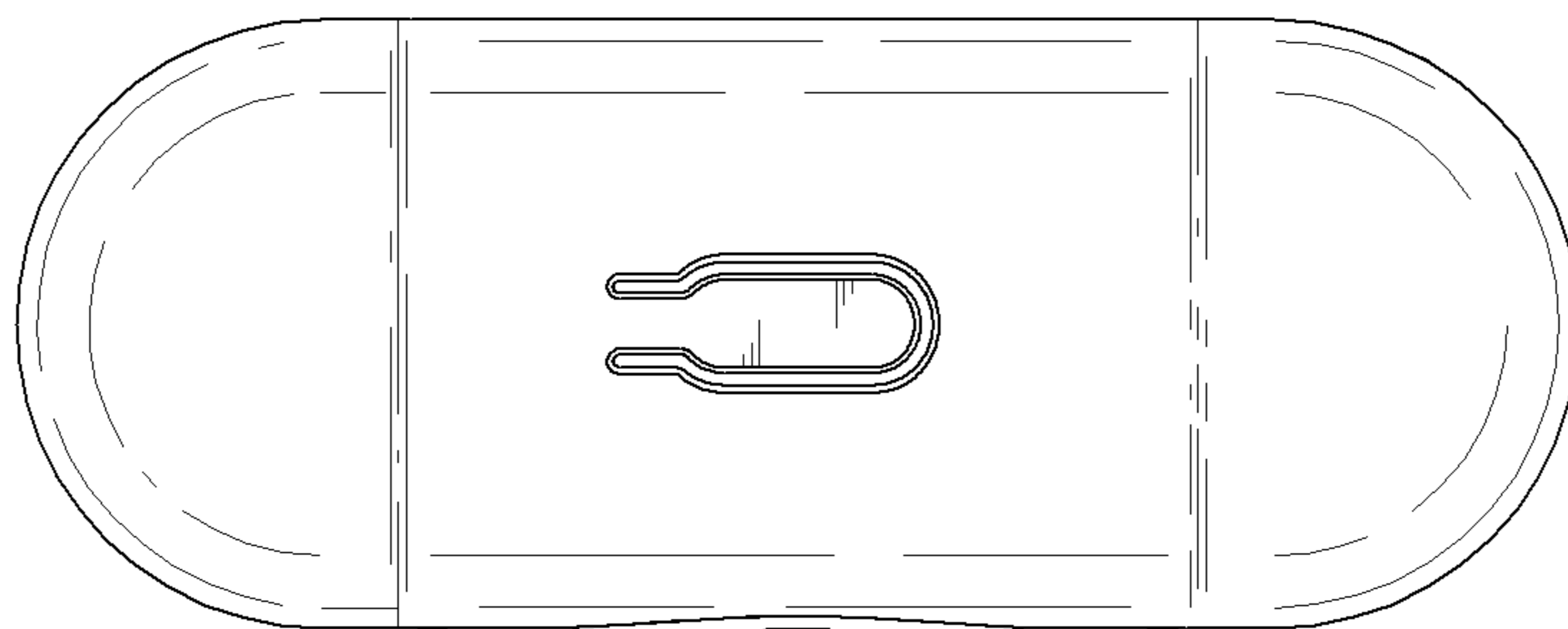


FIG. 8

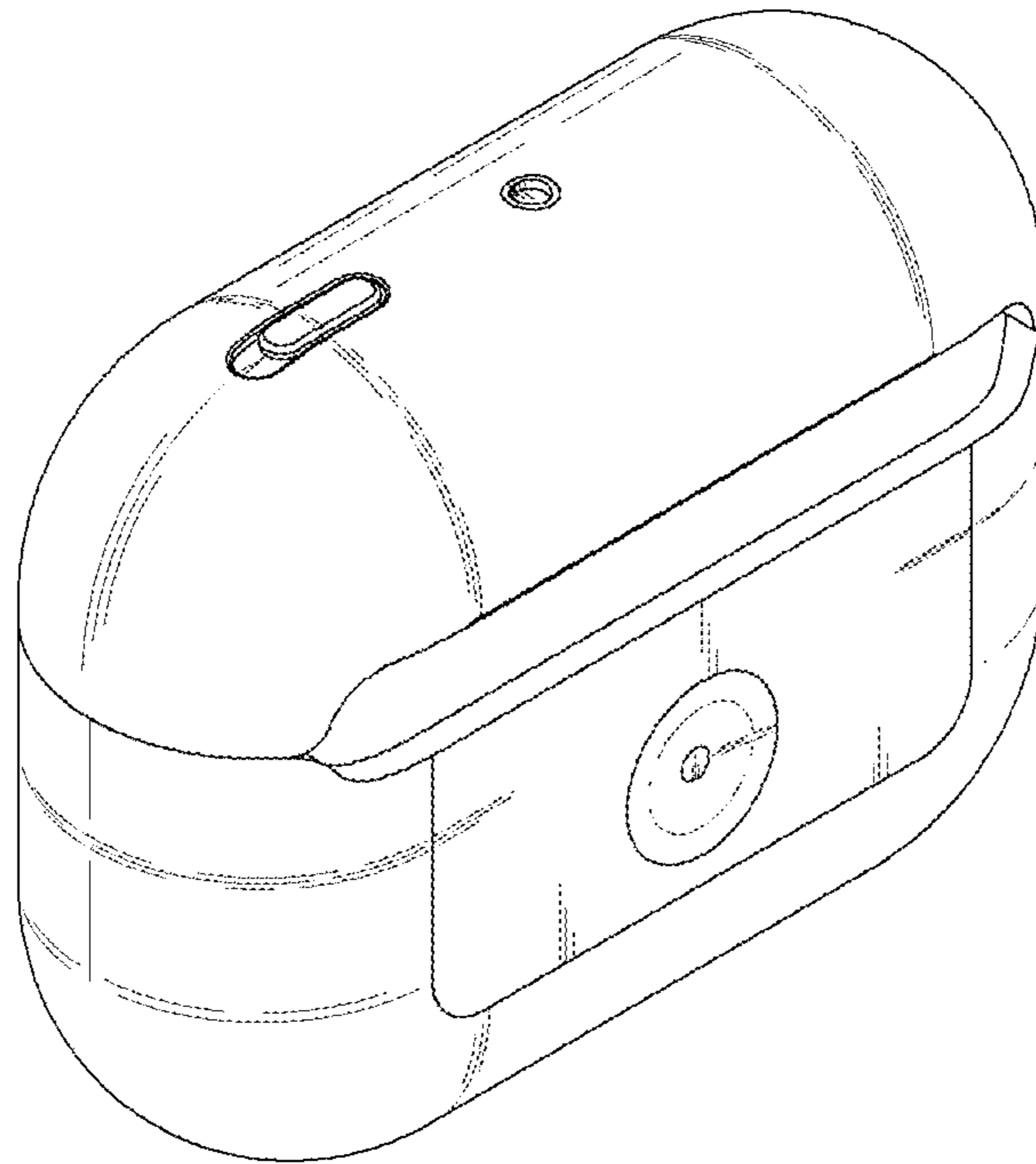


FIG. 9

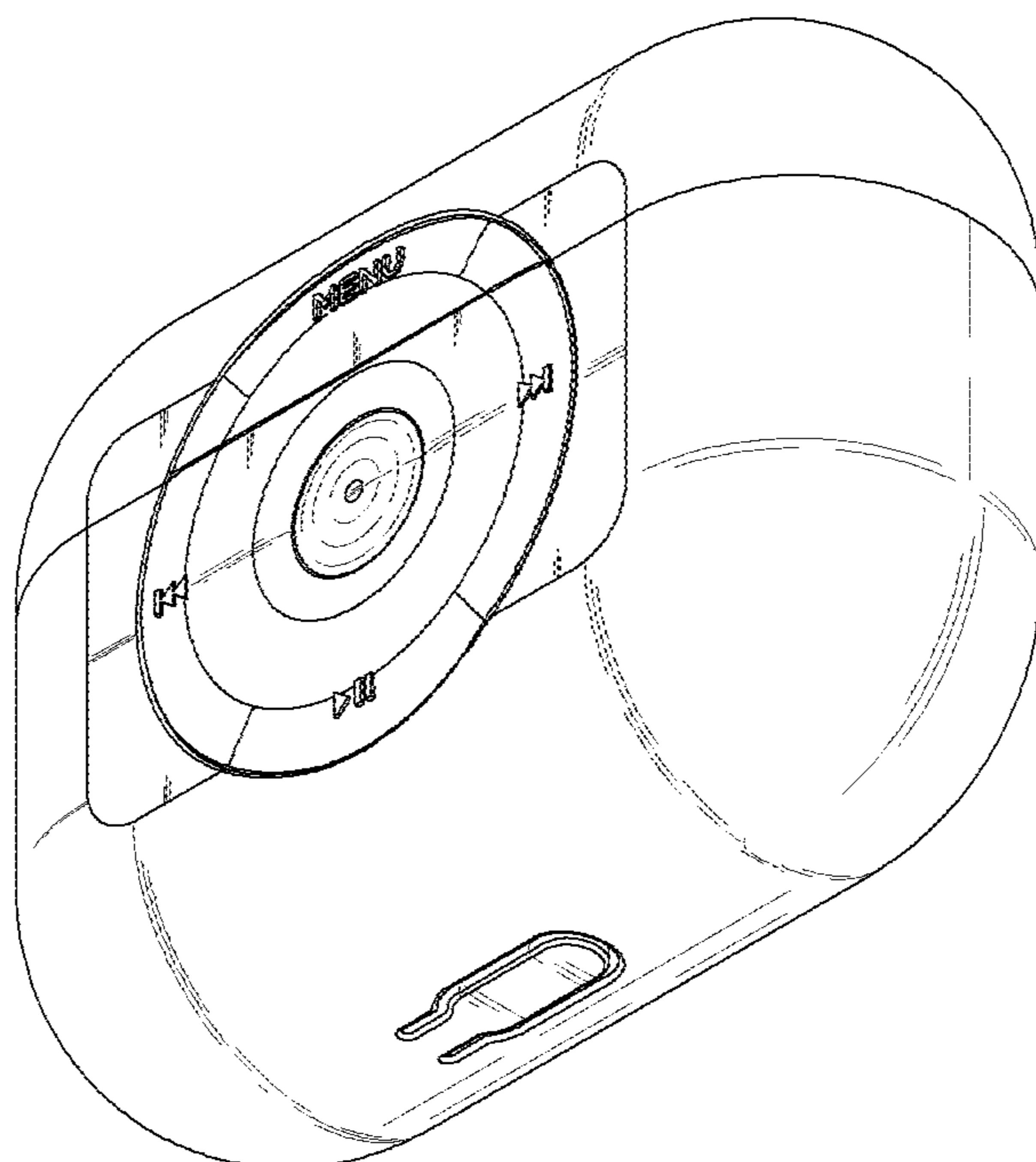


FIG. 10

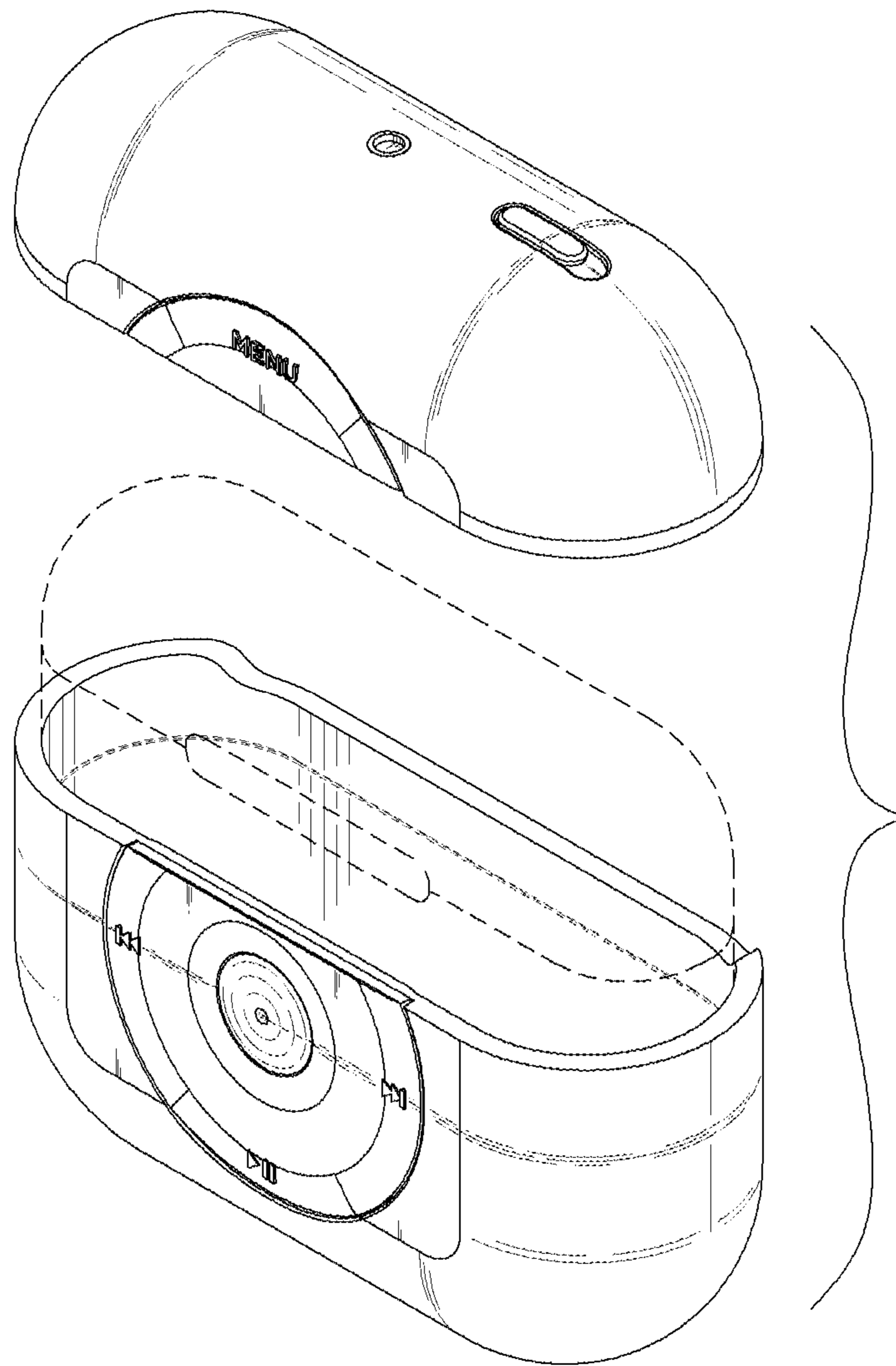


FIG. 11

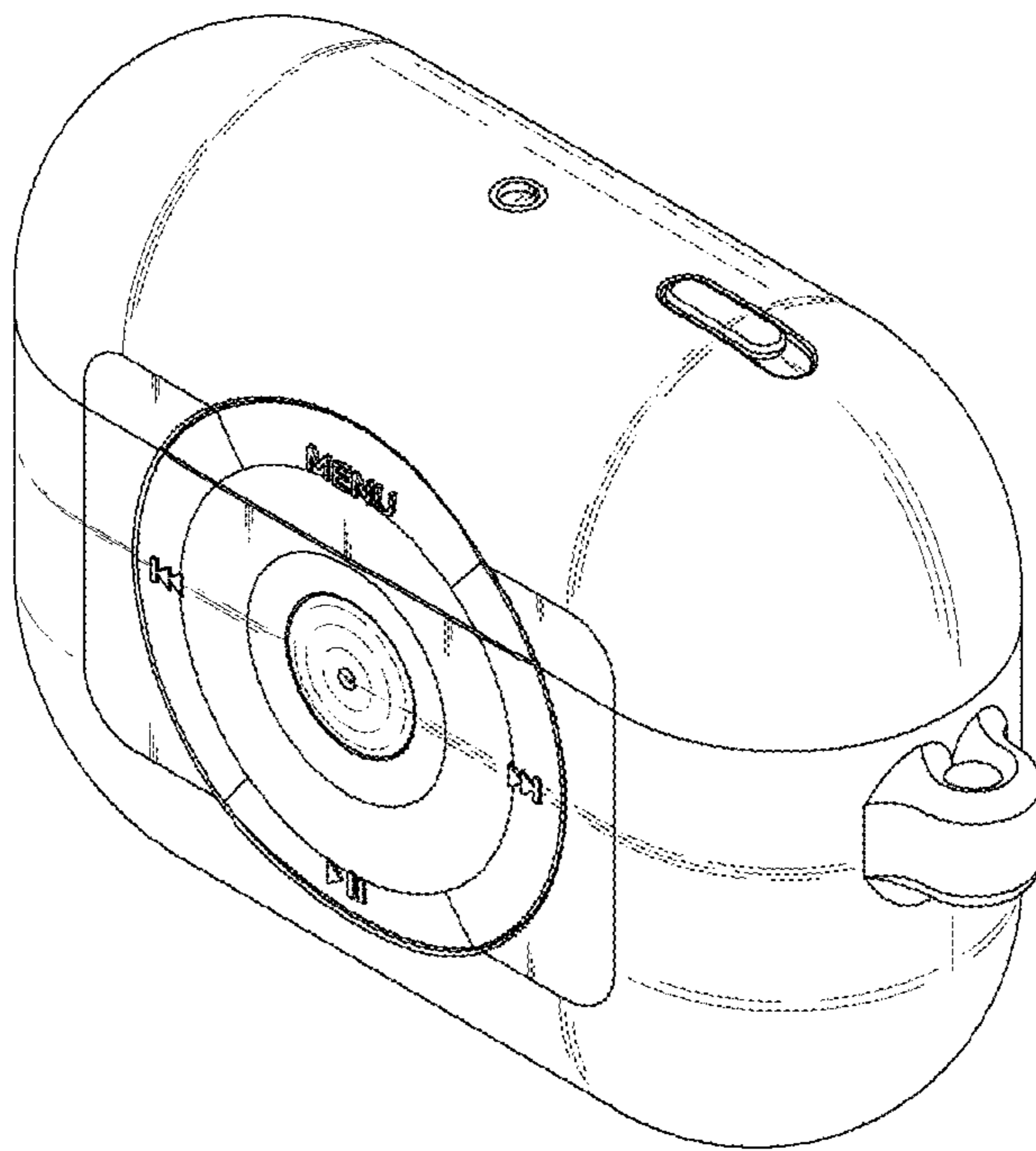


FIG. 12

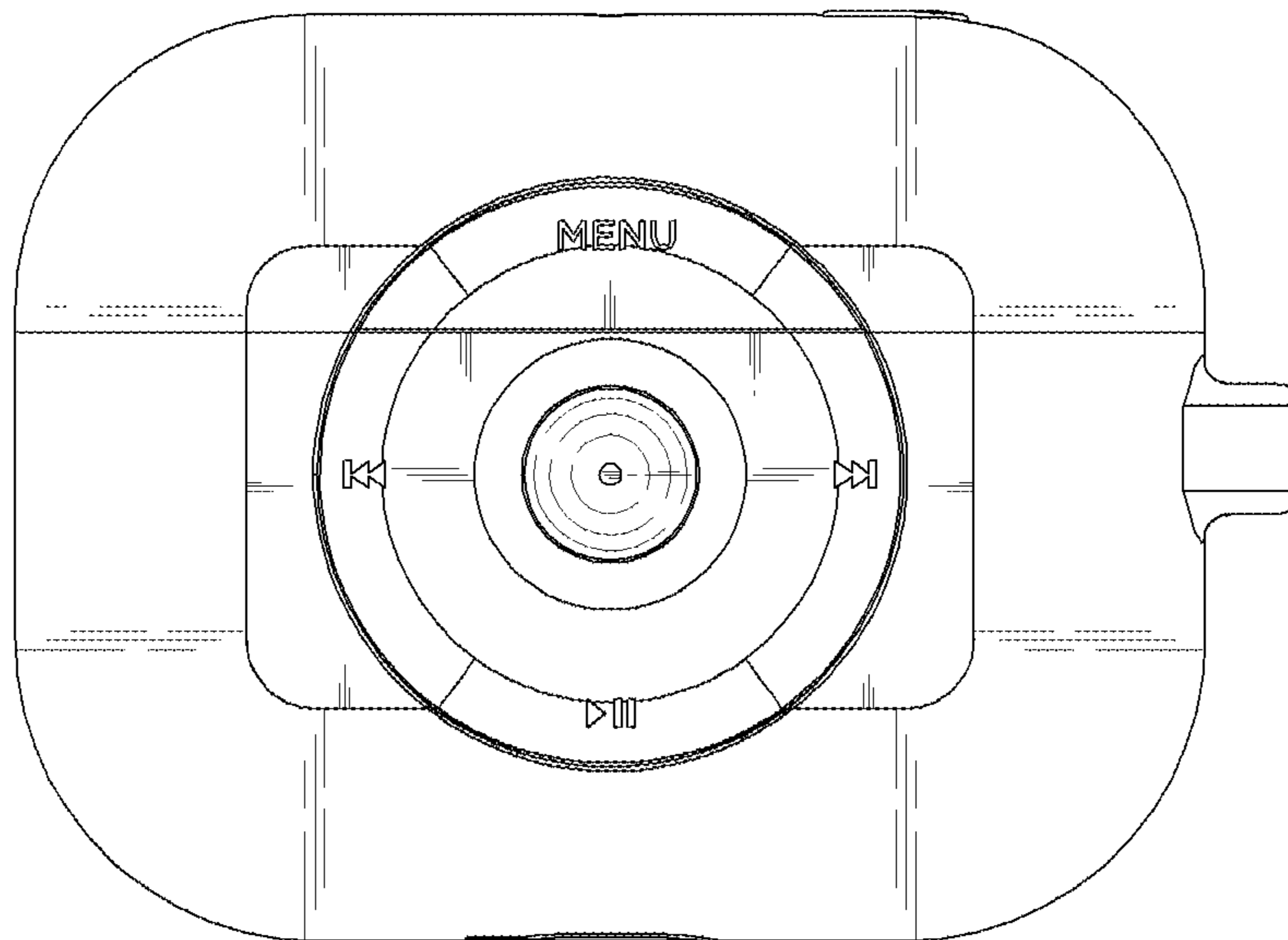


FIG. 13

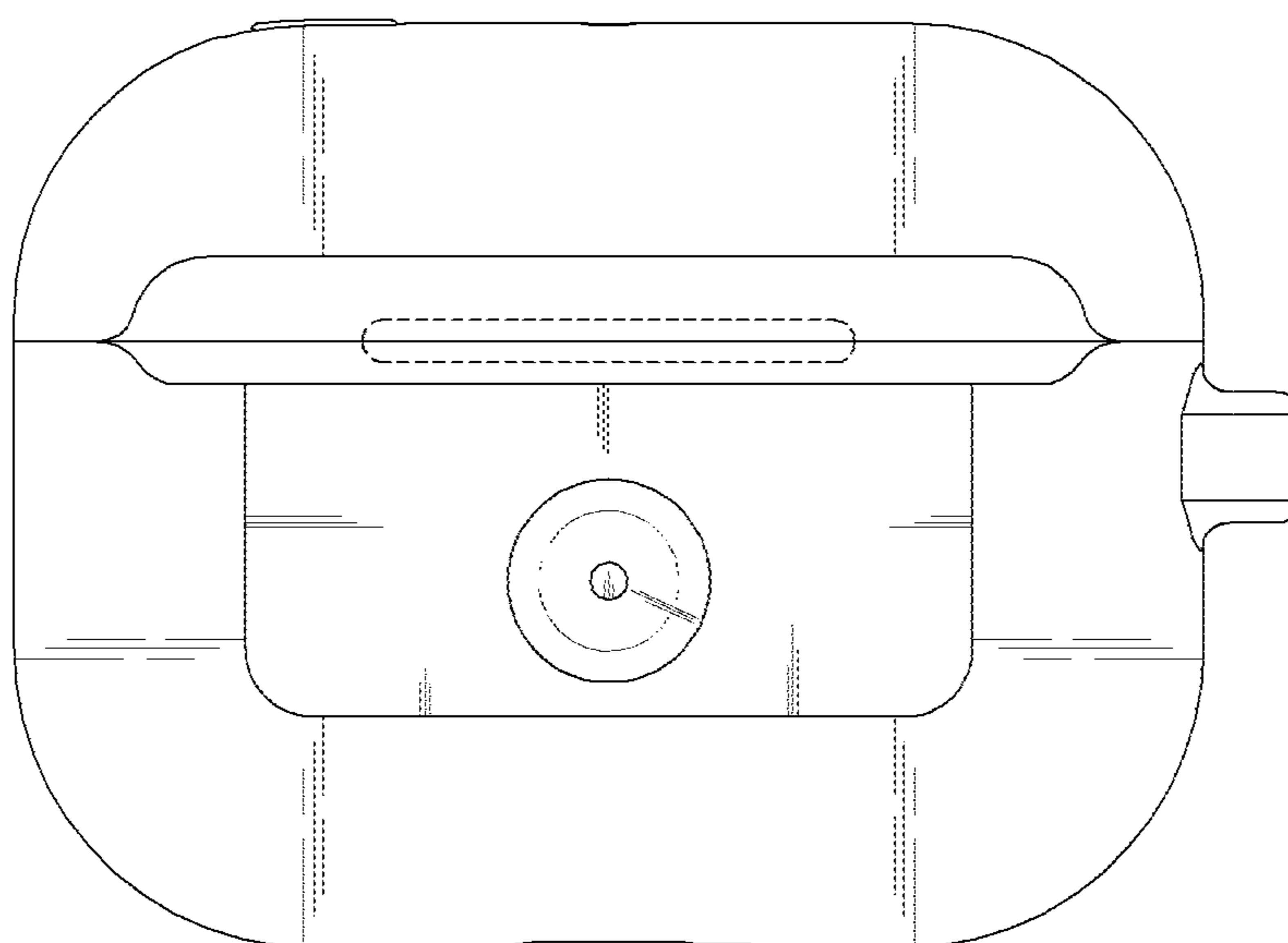


FIG. 14

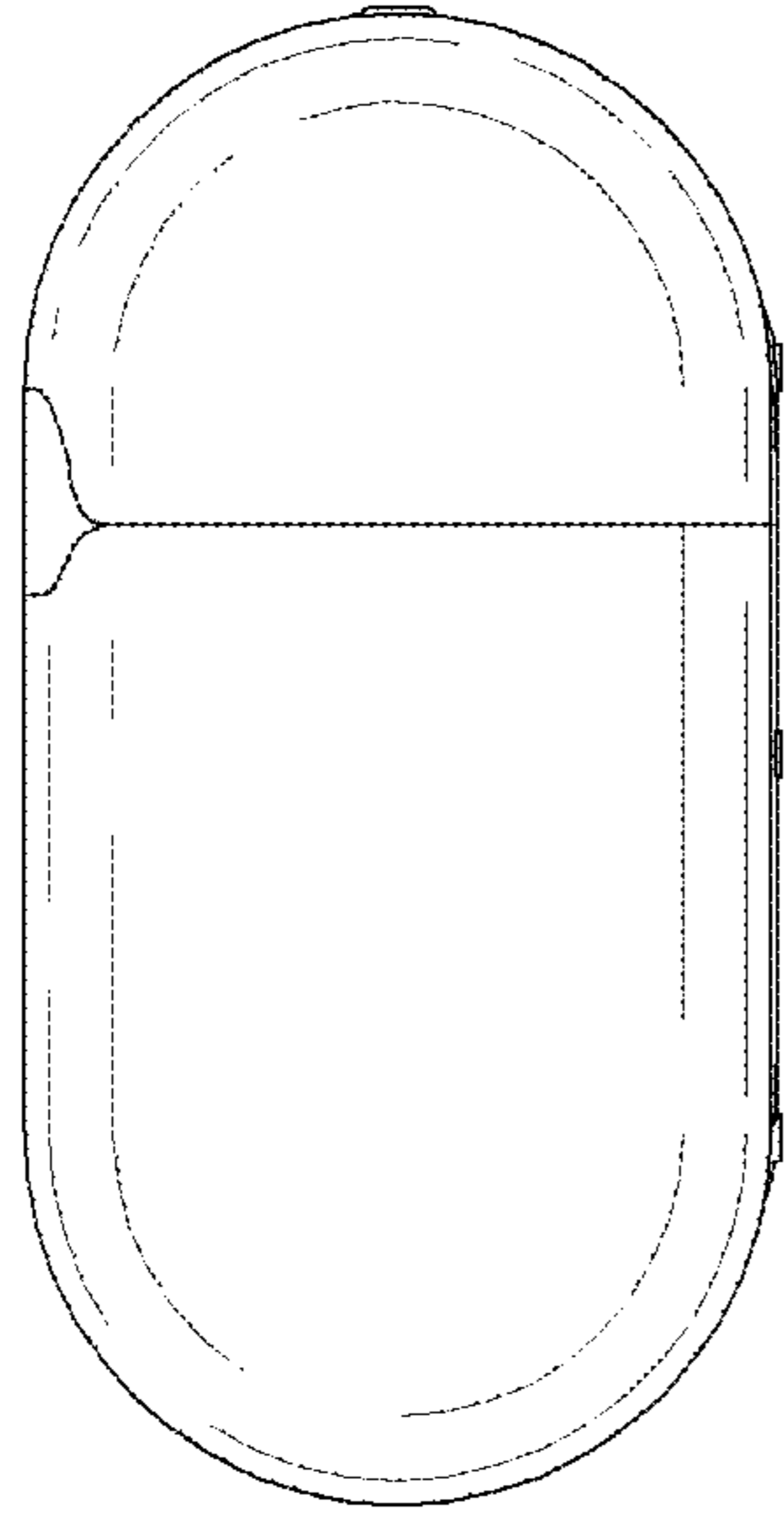


FIG. 15

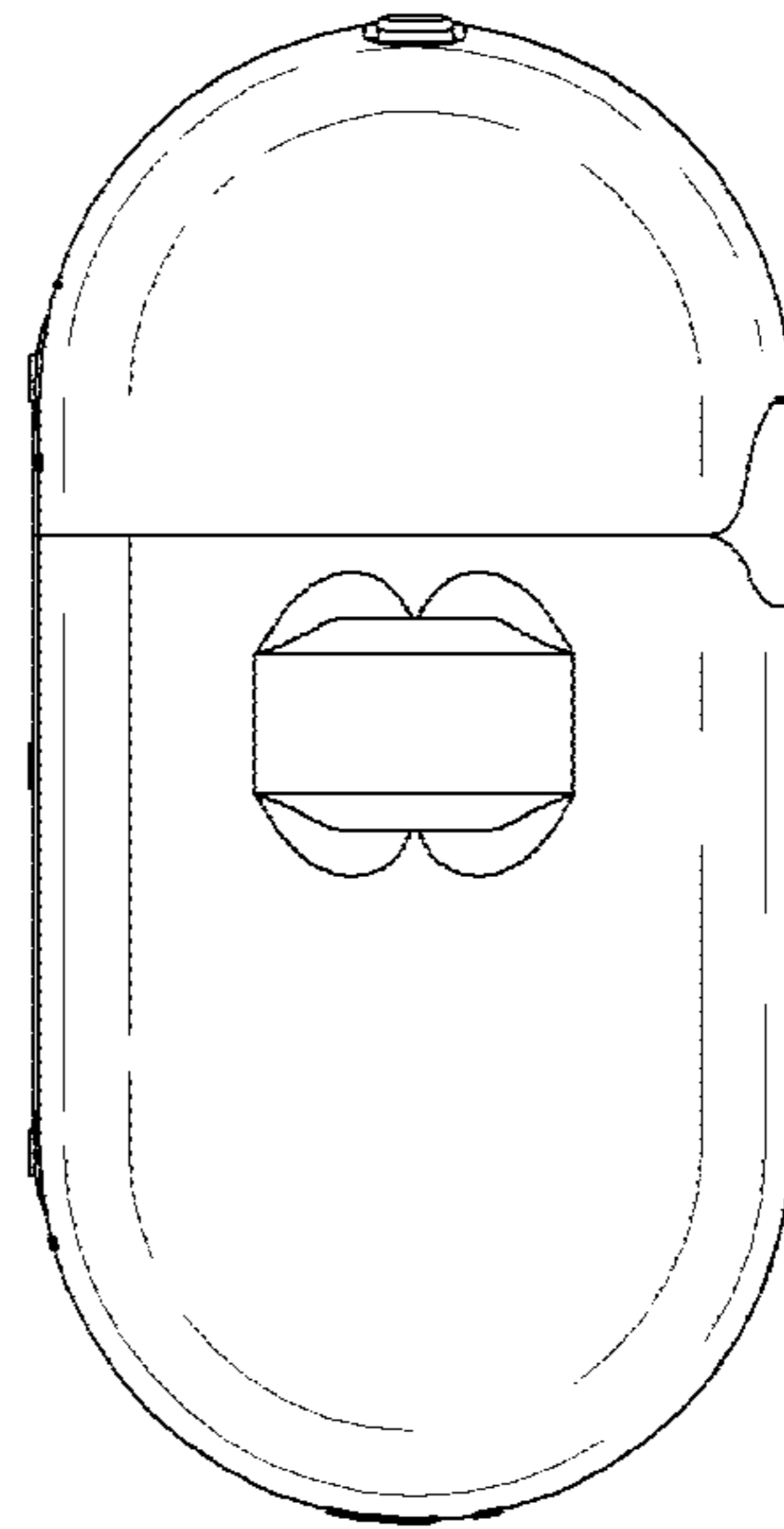


FIG. 16

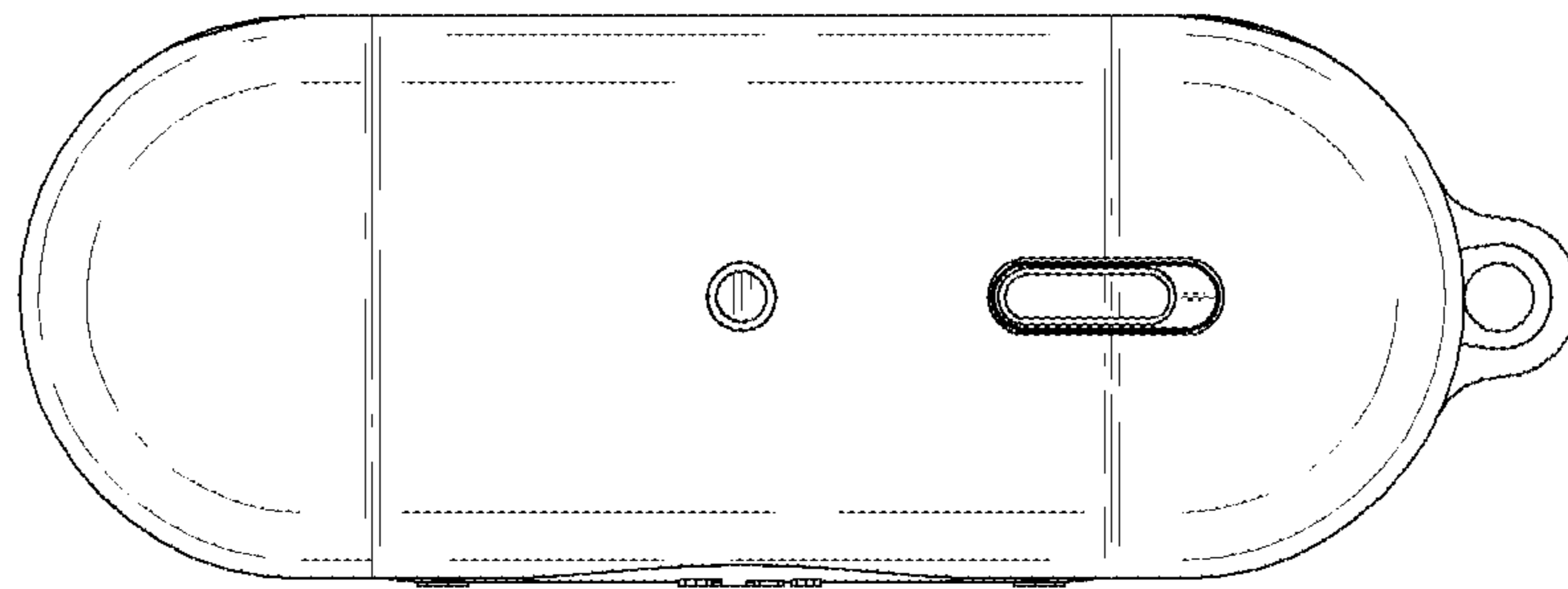


FIG. 17

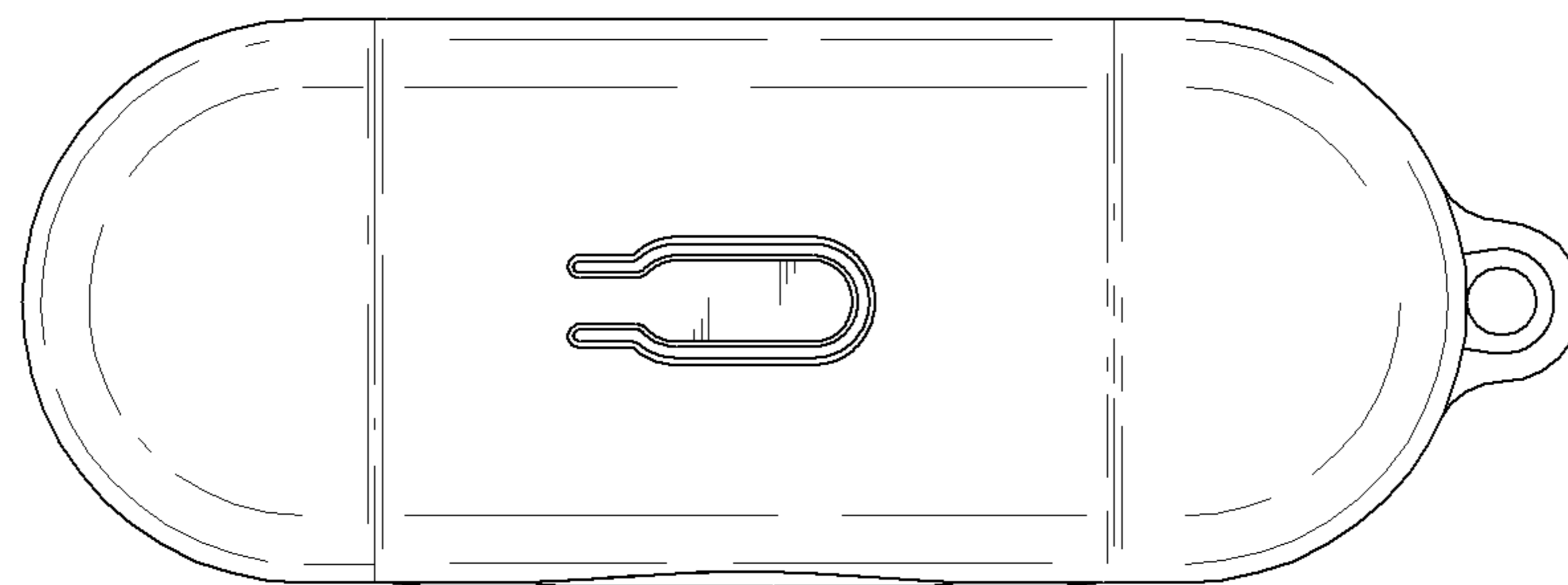


FIG. 18

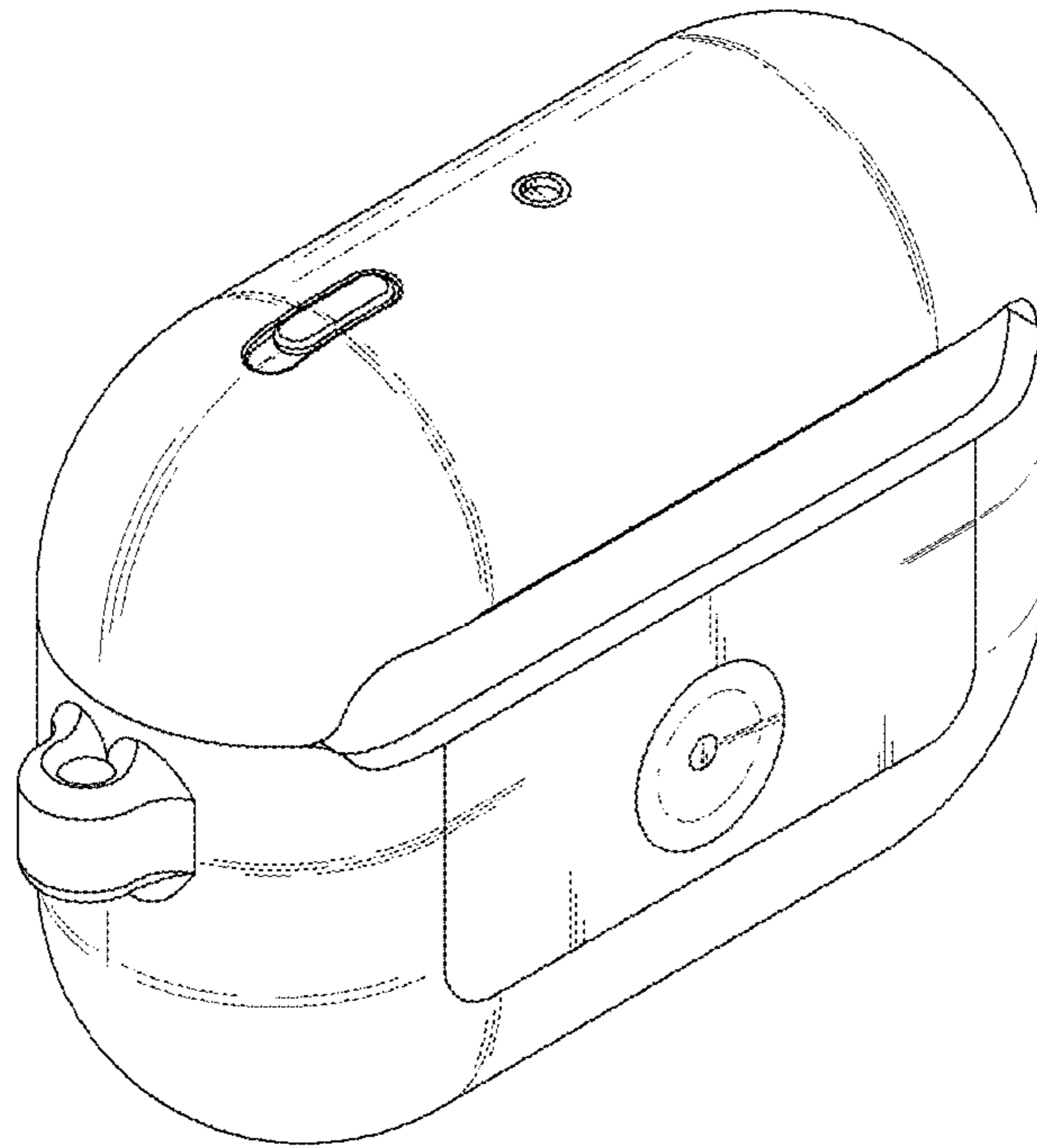


FIG. 19

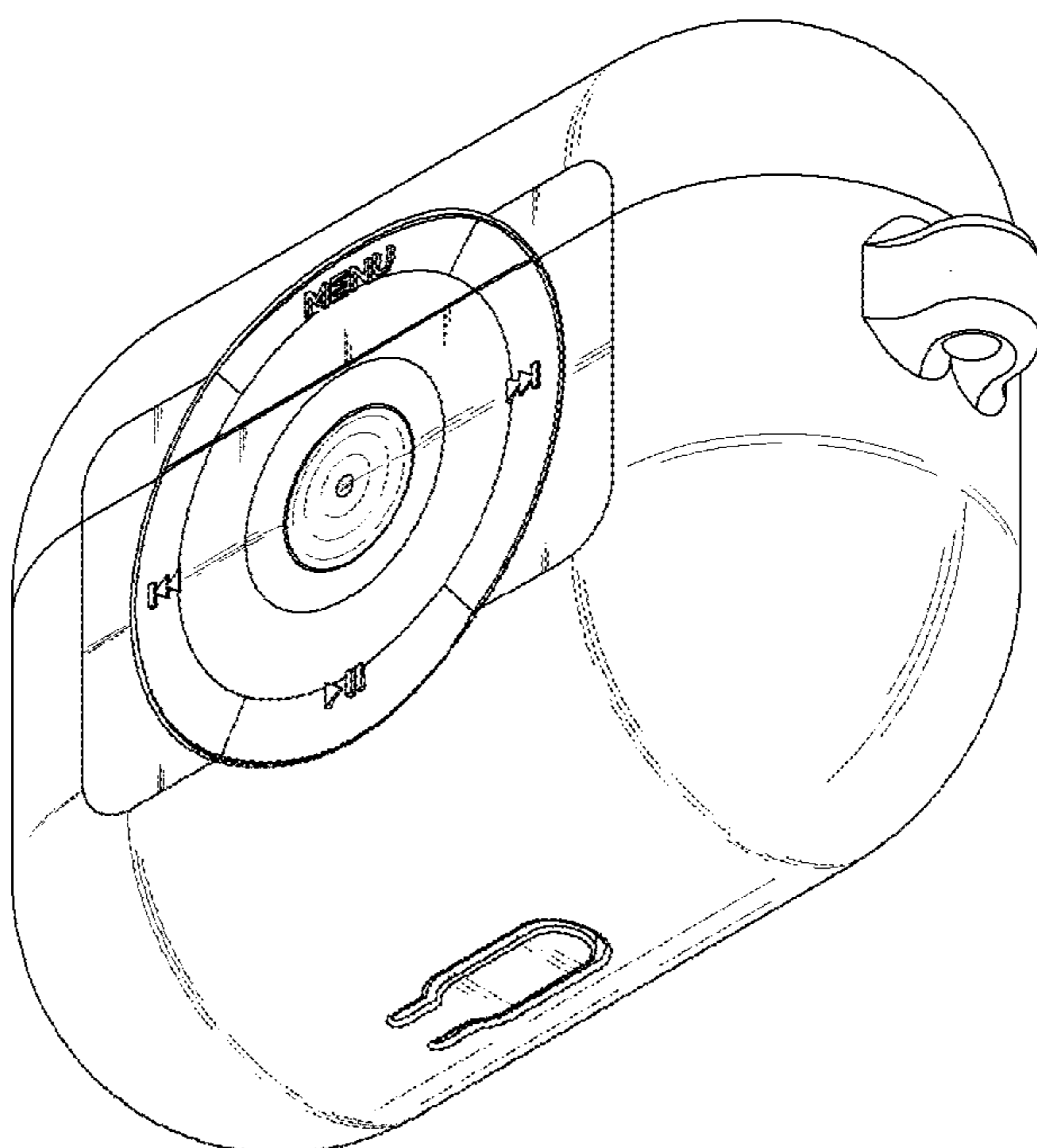


FIG. 20

