



US00D883294S

(12) **United States Design Patent** (10) **Patent No.:** **US D883,294 S**
Xie (45) **Date of Patent:** **** May 5, 2020**

(54) **HUB**
(71) Applicant: **SHENZHEN HENGXI TECHNOLOGY CO., LTD.**, Shenzhen (CN)
(72) Inventor: **Zhiqiang Xie**, Shenzhen (CN)
(73) Assignee: **SHENZHEN HENGXI TECHNOLOGY CO., LTD.**, Shenzhen (CN)
(**) Term: **15 Years**

D425,862 S * 5/2000 Yu D13/137.2
D448,347 S * 9/2001 Zoiss D13/146
6,824,422 B2 * 11/2004 Huang G06F 1/266
D11/86
D505,645 S * 5/2005 Pacheco D11/86
D532,780 S * 11/2006 Proctor, Jr. D14/240
D586,743 S * 2/2009 Guccione D13/107
D604,712 S * 11/2009 Smith D14/188
8,107,243 B2 * 1/2012 Guccione G06F 1/26
330/285
D666,200 S * 8/2012 Tien D14/434
D688,657 S * 8/2013 Hallar D14/300
D702,686 S * 4/2014 Gerber D14/433

(Continued)

(21) Appl. No.: **29/720,150**
(22) Filed: **Jan. 10, 2020**
(51) **LOC (12) Cl.** **14-02**
(52) **U.S. Cl.**
USPC **D14/434**; D14/433
(58) **Field of Classification Search**
USPC ... D14/434, 432, 433, 435, 435.1, 356, 357,
D14/358, 440, 447, 300, 301, 302, 314,
D14/348, 389, 363, 365, 251-253, 451,
D14/452, 454, 217, 240, 299, 496, 242,
D14/204, 125, 168, 171; D13/103, 107,
D13/108, 184, 110, 123, 133, 135, 137.2,
D13/139.2, 139.4, 146; D21/324, 332,
D21/333
CPC G06F 1/16; G06F 1/1632; G06F 1/266;
G06F 13/00; G06F 13/38; G06F 13/382;
G06F 13/385; G06F 13/387; G06F 3/065;
G06F 9/541; G06F 2213/3814; G06F
2213/40; G06F 2213/4004; H01R 13/512;
H01R 13/62
See application file for complete search history.

OTHER PUBLICATIONS

Alienwares Area-51 gaming desktop reborn as a powerful Haswell-E-packing triangle. (online) 7 pgs. Aug. 29, 2014 [Retrieved Mar. 17, 2020] <https://www.pcworld.com/article/2600341/alienwares-area-51-gaming-desktop-reborn-as-a-powerful-haswell-e-packing-triangle.html>.*

(Continued)

Primary Examiner — Marie D. Fast Horse

(57) **CLAIM**

The ornamental design for a hub, as shown and described.

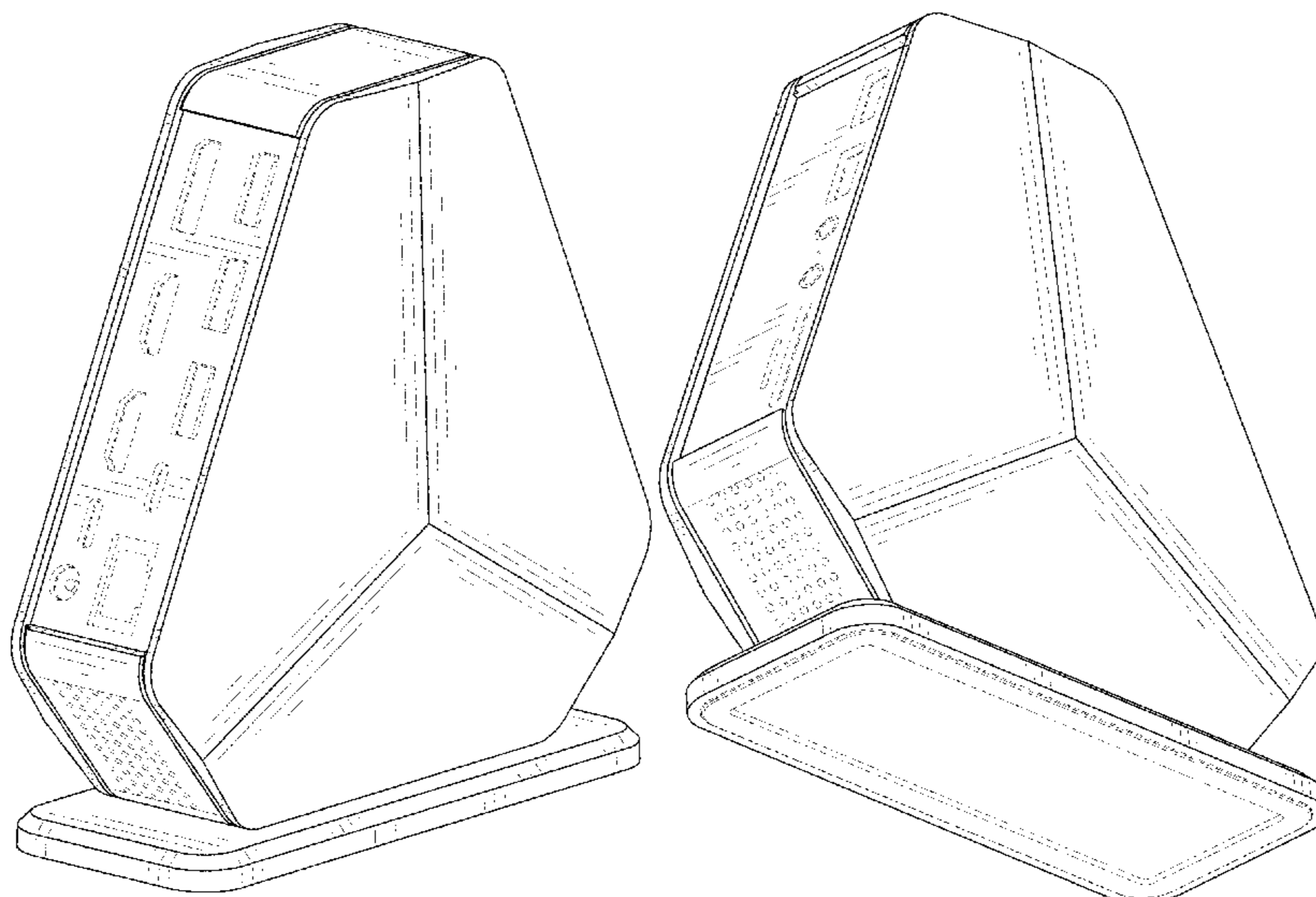
DESCRIPTION

FIG. 1 is a perspective view of a hub showing my new design;
FIG. 2 is another perspective view thereof;
FIG. 3 is a front elevational view thereof;
FIG. 4 is a rear elevational view thereof;
FIG. 5 is a left side elevational view thereof;
FIG. 6 is a right side elevational view thereof;
FIG. 7 is a top plan view thereof; and,
FIG. 8 is a bottom plan view thereof.
The broken lines in the drawings depict portions of the hub that form no part of the claimed design.

1 Claim, 8 Drawing Sheets

(56) **References Cited**
U.S. PATENT DOCUMENTS

D372,024 S * 7/1996 Carlson, Jr. D14/432
D406,562 S * 3/1999 Al-Sabah D13/137.2



(56)

References Cited

U.S. PATENT DOCUMENTS

D707,666 S * 6/2014 Ting D14/240
 D730,850 S * 6/2015 Tang D14/125
 D736,211 S * 8/2015 Kirkpatrick G06F 1/20
 D14/434
 D737,825 S * 9/2015 Kumar D14/433
 D759,122 S * 6/2016 Verdu D14/168
 D769,213 S * 10/2016 McManigal D14/204
 D793,398 S 8/2017 Feldstein et al.
 D793,399 S * 8/2017 Feldstein D14/433
 D796,513 S 9/2017 Feldstein et al.
 D801,334 S * 10/2017 Bowes D14/348
 D801,410 S * 10/2017 Kim D14/496
 9,829,934 B2 * 11/2017 Hoss G06F 1/181
 D811,377 S * 2/2018 Wang D14/240
 D832,262 S * 10/2018 Kato D14/433
 D840,408 S * 2/2019 Chen D14/447
 D842,297 S * 3/2019 Pennington, Jr. D14/434
 D851,075 S * 6/2019 Ramones D14/242
 D858,436 S * 9/2019 Chen D13/108

D860,937 S * 9/2019 Slaatto D13/108
 D861,693 S * 10/2019 Ranade D14/432
 D862,473 S 10/2019 Liu et al.
 D864,951 S * 10/2019 Ranade D14/435
 D866,458 S * 11/2019 Chen D13/108
 D867,911 S * 11/2019 Alabdin D10/78
 D868,712 S * 12/2019 Scala D14/125
 D878,374 S * 3/2020 Wenlian D14/433
 2007/0174532 A1 * 7/2007 Chen G06F 1/266
 710/313

OTHER PUBLICATIONS

2020 6 Port USB Hub for Multi-devices. (online) 16 pgs. 2020
 [Retrieved Mar. 17, 2020] <https://www.dhgate.com/product/6-port-usb-hub-1m-cable-splitter-with-tf/465226260.html#seo=WAP>.
 USB Hub 3.0 Vertical Data Hub. (online) 11 pgs. Sep. 22, 2018
 [Retrieved Mar. 17, 2020] <https://www.amazon.com/USB-Vertical-Data-Long-Cord/dp/B07HL2QCPV>.

* cited by examiner

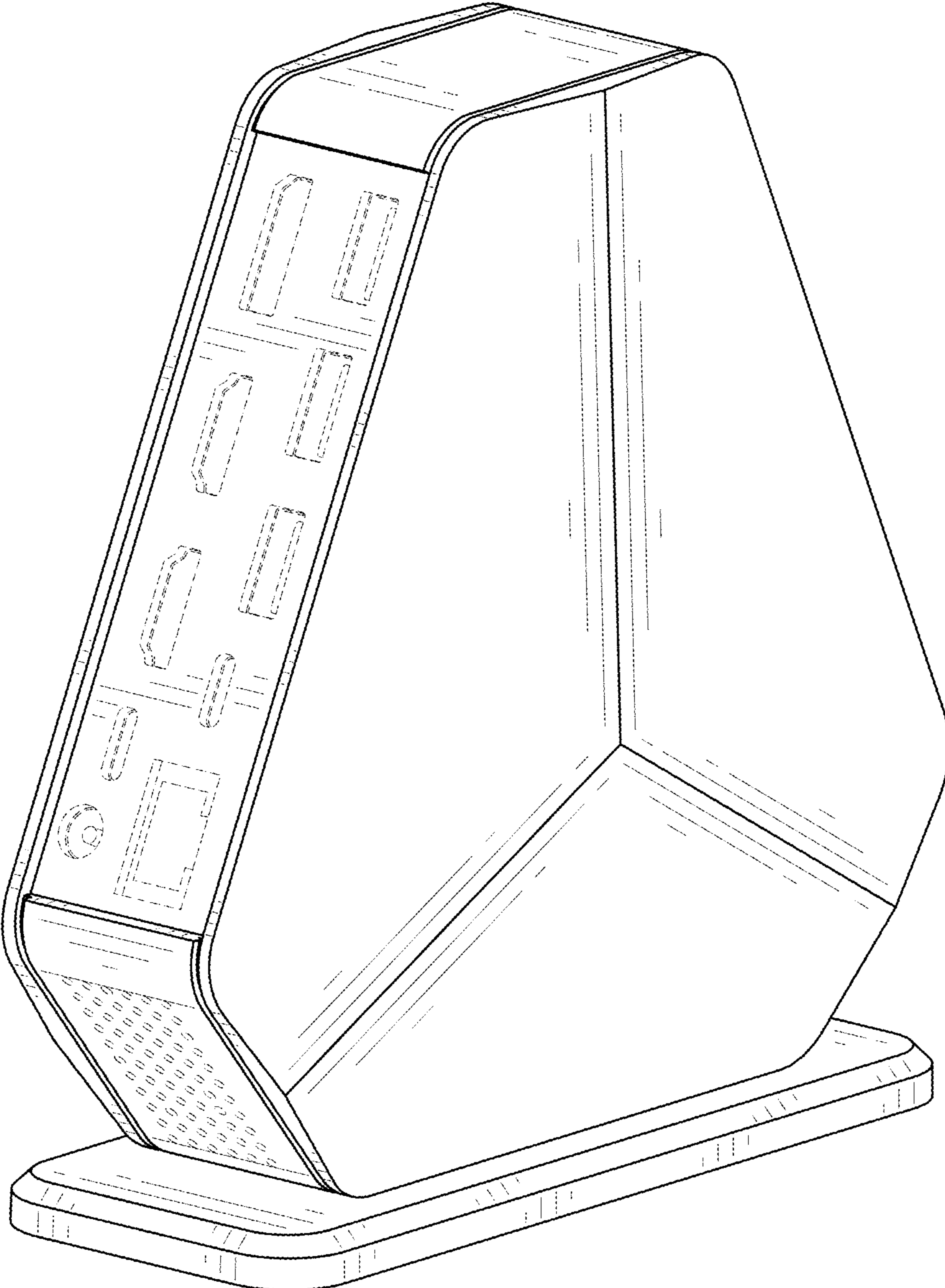


FIG. 1

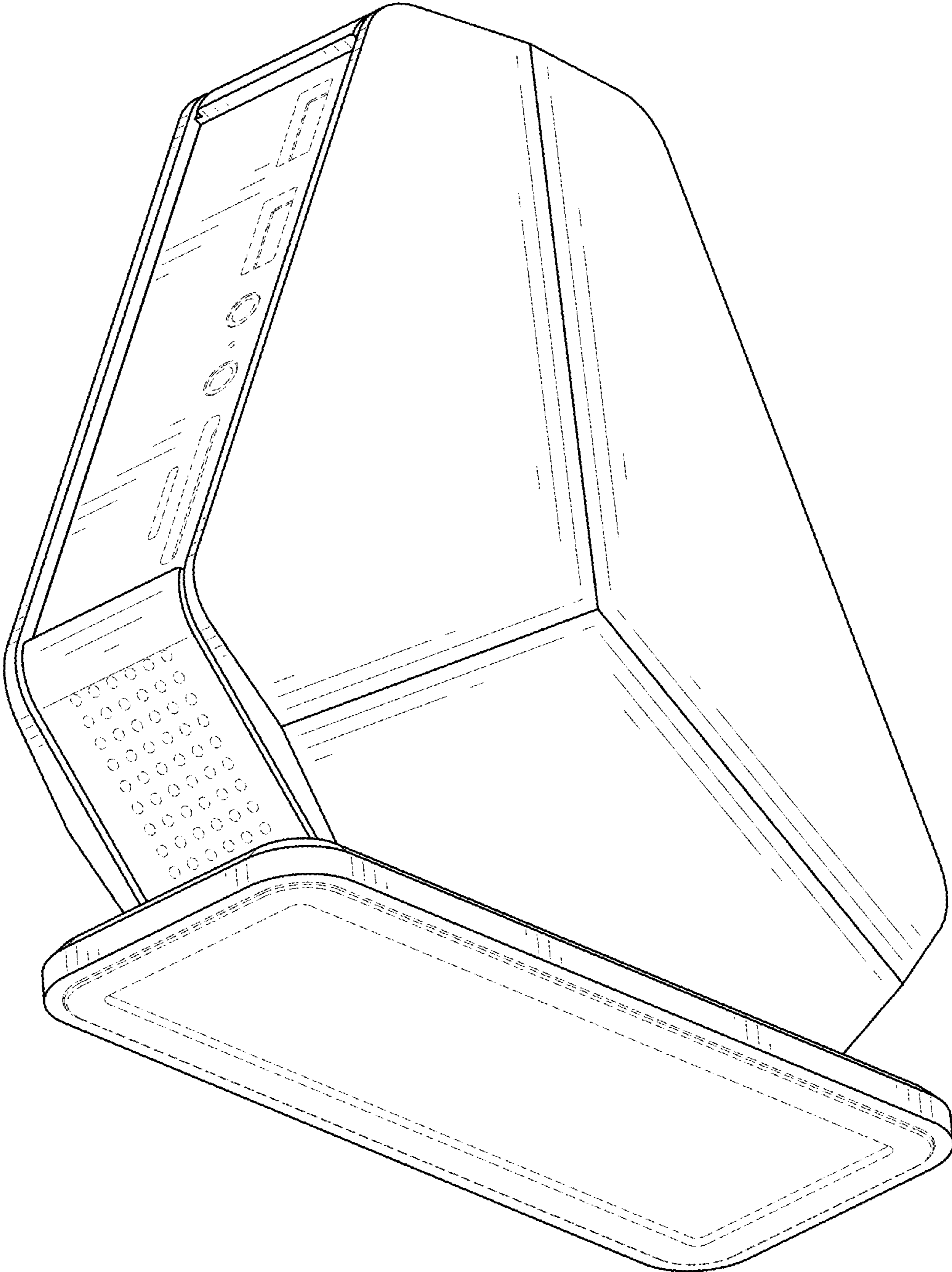


FIG. 2

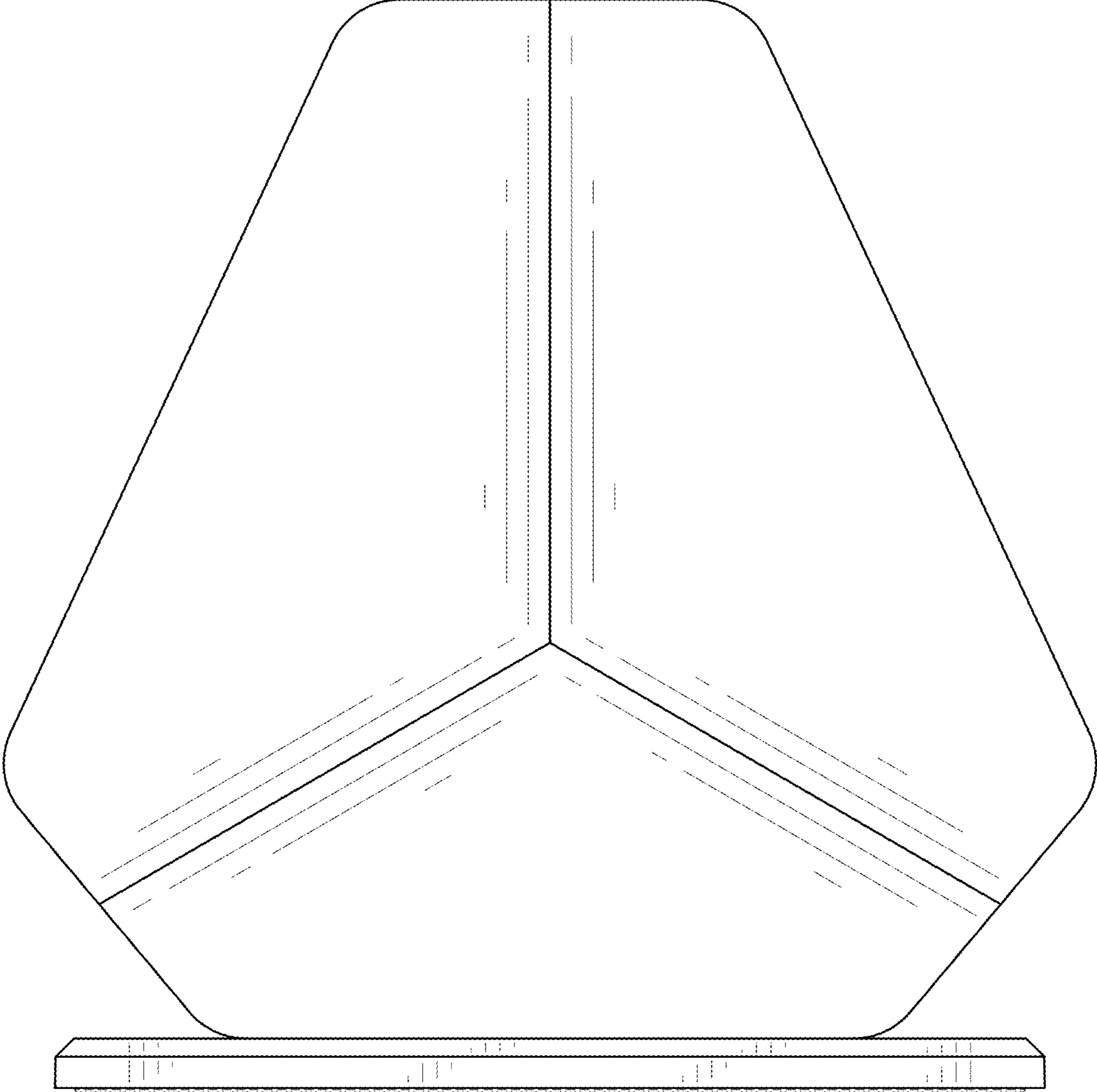


FIG. 3

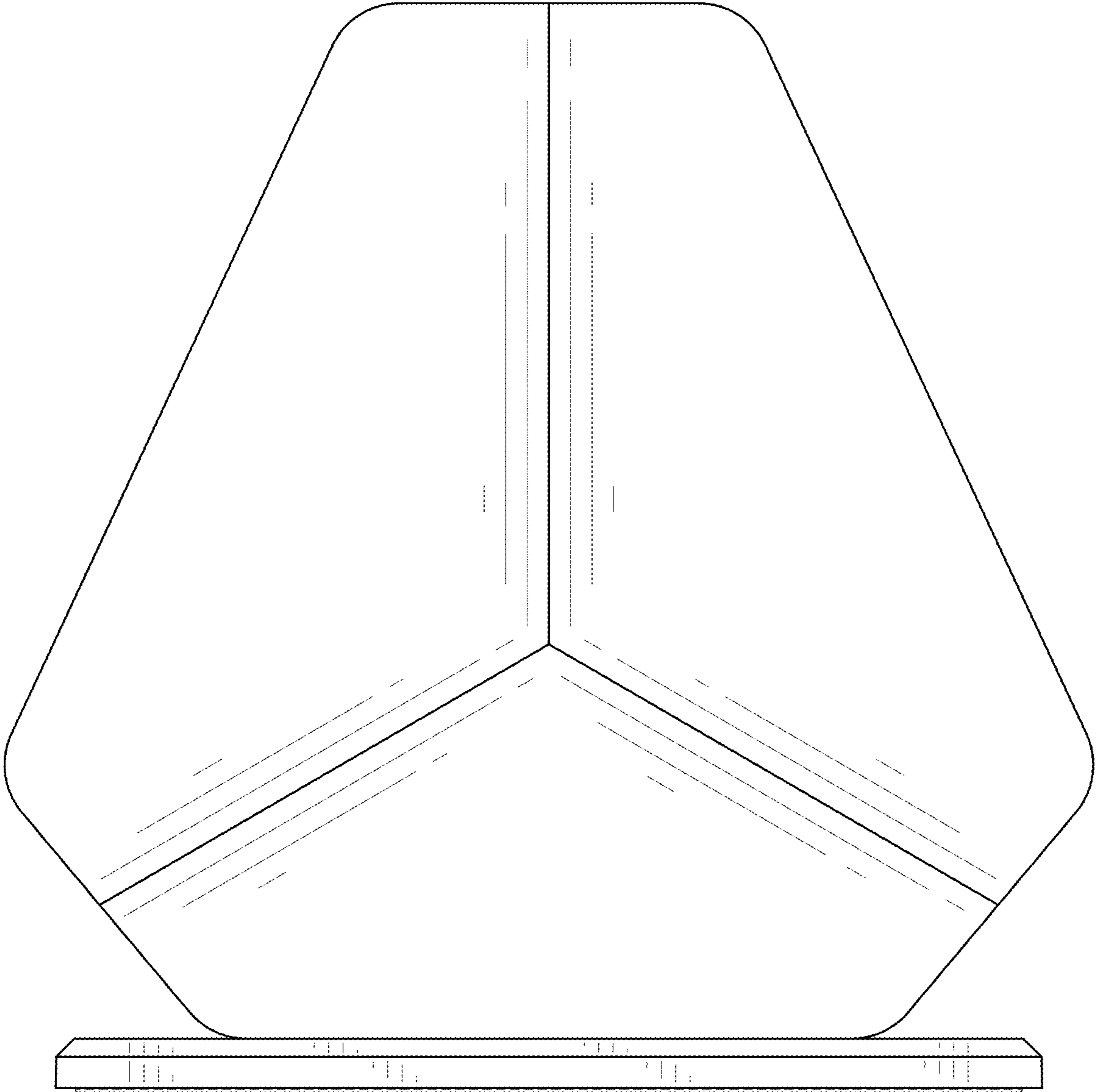


FIG. 4

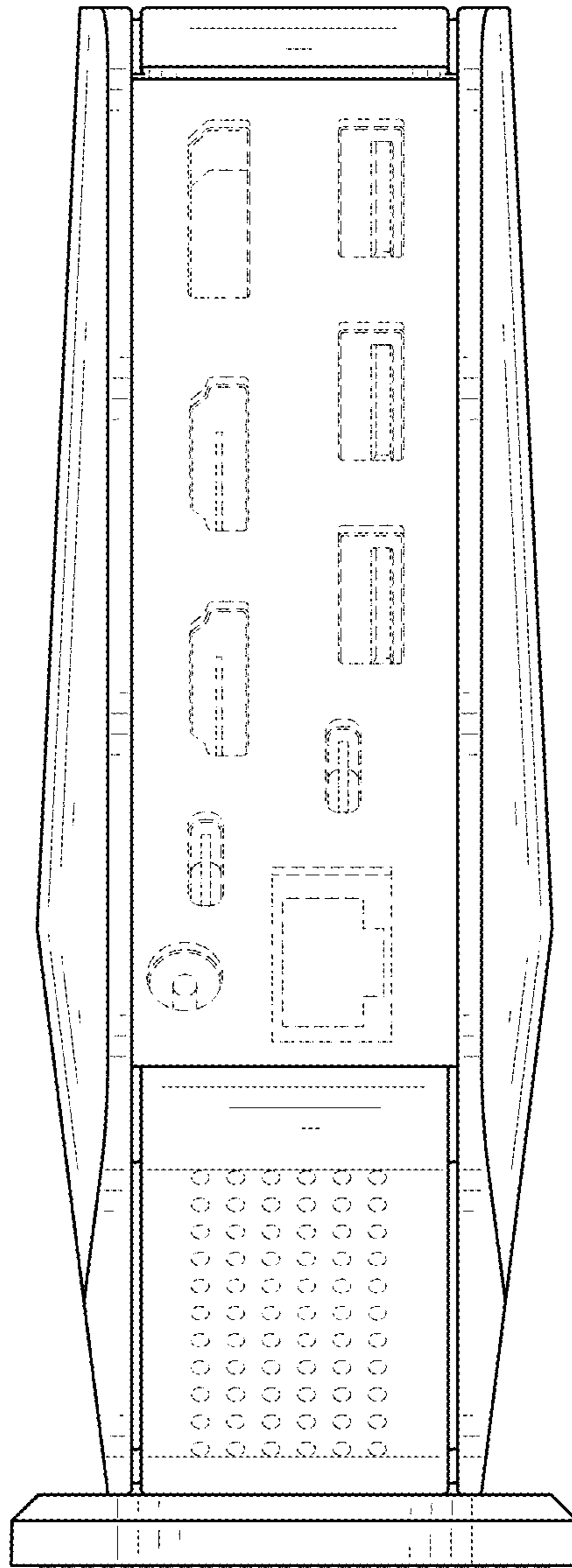


FIG. 5

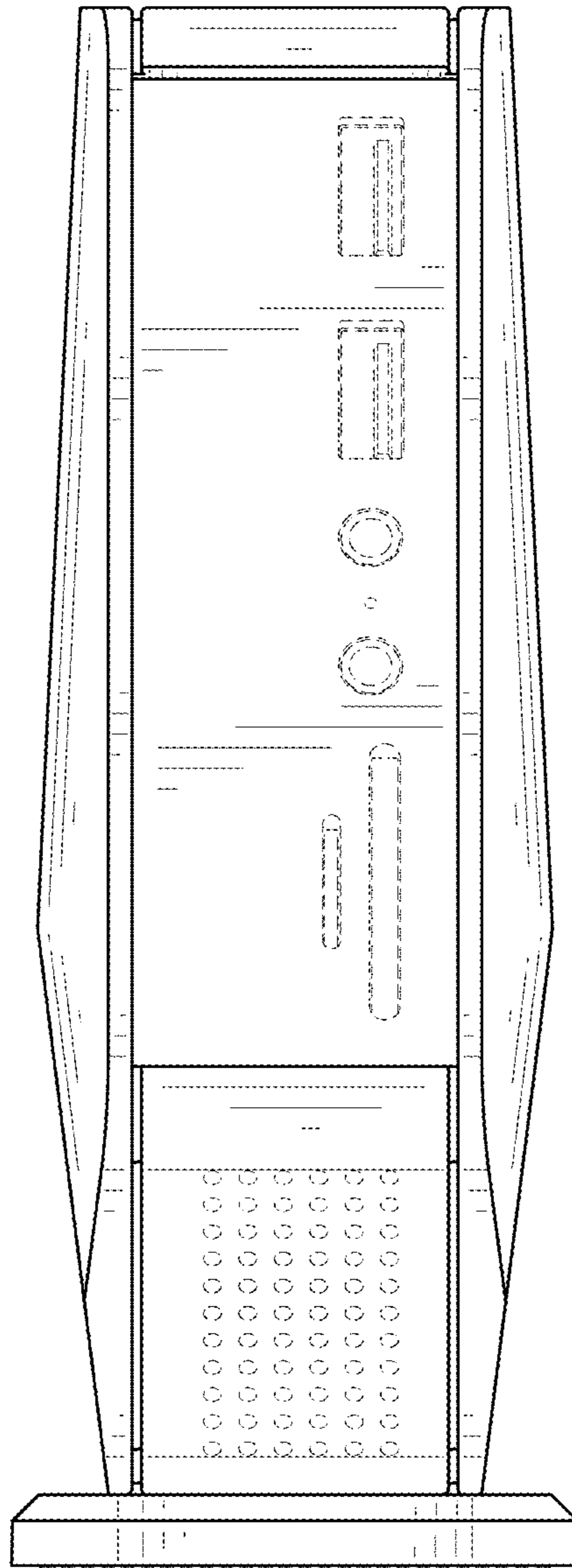


FIG. 6

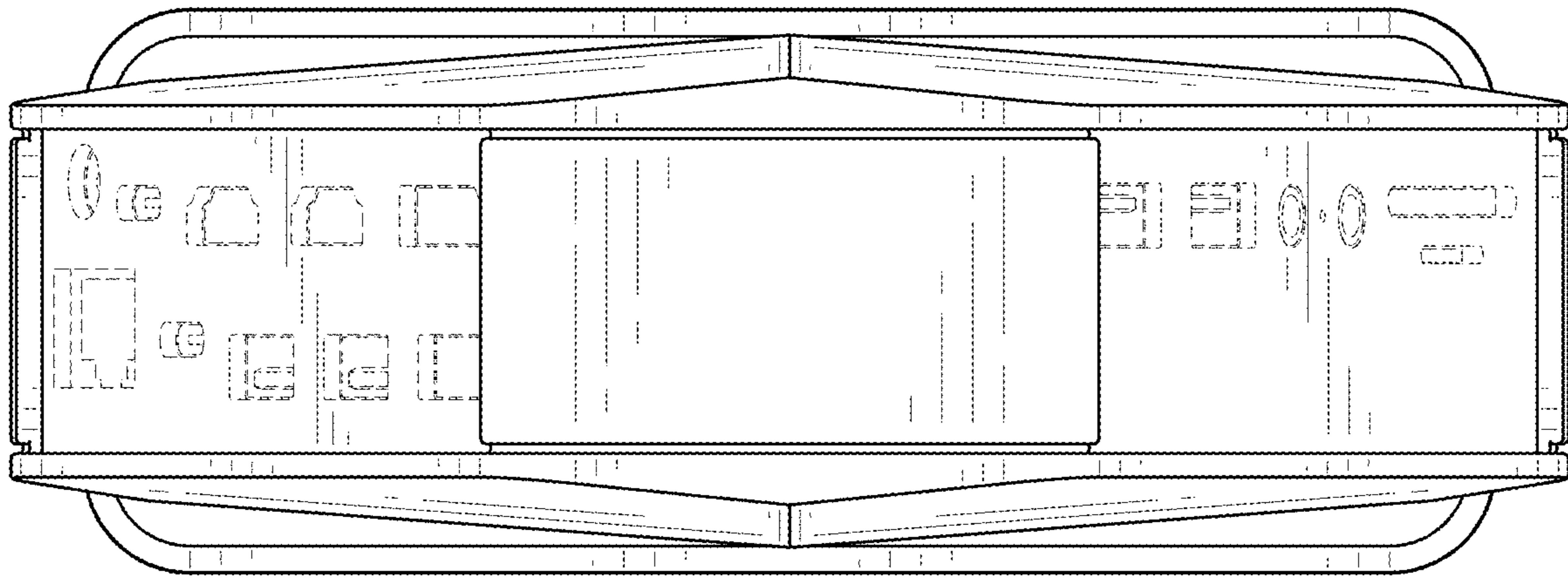


FIG. 7



FIG. 8