



US00D883293S

(12) **United States Design Patent** (10) **Patent No.:** **US D883,293 S**  
**Zhang** (45) **Date of Patent:** **\*\* May 5, 2020**

(54) **USB HUB**  
(71) Applicant: **Wenfeng Zhang**, Longyan (CN)  
(72) Inventor: **Wenfeng Zhang**, Longyan (CN)  
(\*\*) Term: **15 Years**  
(21) Appl. No.: **29/680,343**  
(22) Filed: **Feb. 15, 2019**  
(51) **LOC (12) Cl.** ..... **14-02**  
(52) **U.S. Cl.**  
USPC ..... **D14/433**  
(58) **Field of Classification Search**  
USPC ..... D14/240, 242, 356, 357, 358, 378, 383,  
D14/384, 385, 386, 433, 434, 435.1,  
D14/480.1, 480.3, 480.4, 480.5, 480.6,  
D14/480.7; D13/103, 107, 108, 110, 146;  
D18/12, 12.1, 12.3  
CPC .... H01R 25/003; H01R 25/006; H01R 27/02;  
H01R 31/005; H01R 13/60; H01R  
13/6658; H01R 13/72; G06F 1/1607;  
G06F 1/1632; G06F 1/1684; G06F 1/266;  
G06F 11/325; G06F 13/00; G06F 13/12;  
G06F 13/14; G06F 13/20; G06F 13/382;  
G06F 13/4022; G06F 9/4413  
See application file for complete search history.

D828,354 S \* 9/2018 Chuang ..... D14/433  
D828,840 S \* 9/2018 Zhang ..... D14/433  
D834,580 S \* 11/2018 Wang ..... D14/435.1  
D847,139 S \* 4/2019 Wang ..... D14/433  
D853,396 S \* 7/2019 Kong ..... D14/434  
D853,397 S \* 7/2019 Wang ..... D14/435.1  
D856,278 S \* 8/2019 Turksu ..... D13/108  
D862,385 S \* 10/2019 Turksu ..... D13/108  
D863,310 S \* 10/2019 Liao ..... D14/433  
D864,209 S \* 10/2019 Wang ..... D14/434  
D866,557 S \* 11/2019 Xiong ..... D14/433  
D869,467 S \* 12/2019 Lin ..... D14/434  
2016/0202743 A1\* 7/2016 Li ..... H02M 1/10  
710/313

(56) **References Cited**

**U.S. PATENT DOCUMENTS**

D648,340 S \* 11/2011 Okura ..... D14/480.7  
D683,765 S \* 6/2013 Ahn ..... D14/203.3  
D746,823 S \* 1/2016 Lai ..... D14/434  
D762,170 S \* 7/2016 Lei ..... D13/108  
D780,116 S \* 2/2017 Bing ..... D13/107  
D788,112 S \* 5/2017 Liao ..... D14/433  
D791,138 S \* 7/2017 Eliyahu ..... D14/435.1  
D798,811 S \* 10/2017 Liao ..... D13/110  
D799,423 S \* 10/2017 Eliyahu ..... D13/108  
D826,942 S \* 8/2018 Lu ..... D14/433

**OTHER PUBLICATIONS**

The Best USB-C Hub for Your New Laptop, The Verge online, post date Jun. 1, 2018, URL: <https://www.theverge.com/this-is-my-next/2018/6/1/17413728/the-best-usb-c-hub-for-laptops-macbook-pro> , retrieved Dec. 18, 2019.\*

\* cited by examiner

*Primary Examiner* — Angela J Lee  
*Assistant Examiner* — Rebekah A Caruso

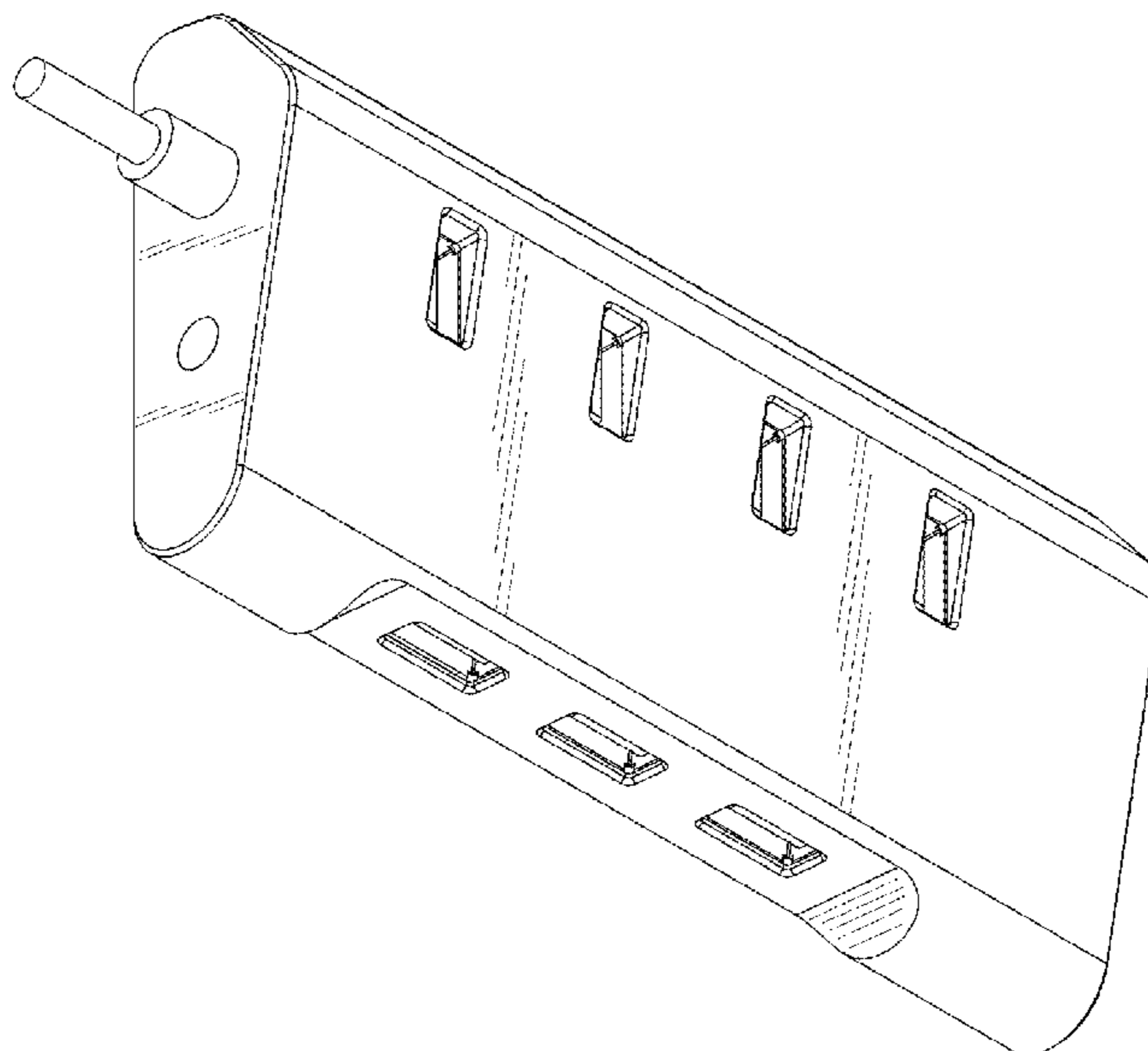
(57) **CLAIM**

The ornamental design for a USB hub, as shown and described.

**DESCRIPTION**

FIG. 1 is a front perspective view of the USB hub showing my new design;  
FIG. 2 is a rear perspective view thereof;  
FIG. 3 is a rear elevational view thereof;  
FIG. 4 is a front elevational view thereof;  
FIG. 5 is a right side elevational view thereof;  
FIG. 6 is a left side elevational view thereof;  
FIG. 7 is a top plan view thereof; and,  
FIG. 8 is a bottom plan view thereof.

**1 Claim, 5 Drawing Sheets**



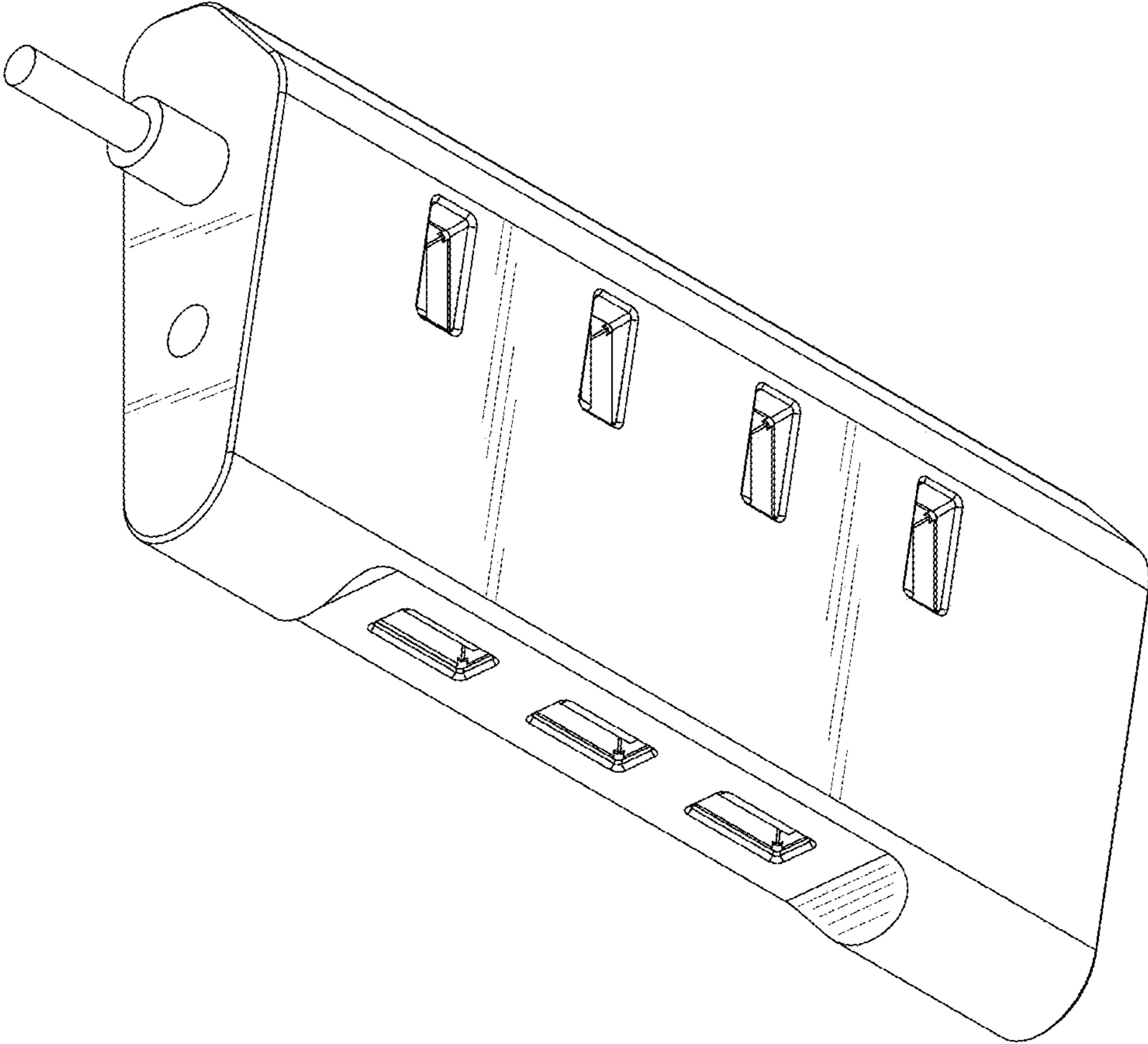


FIG. 1

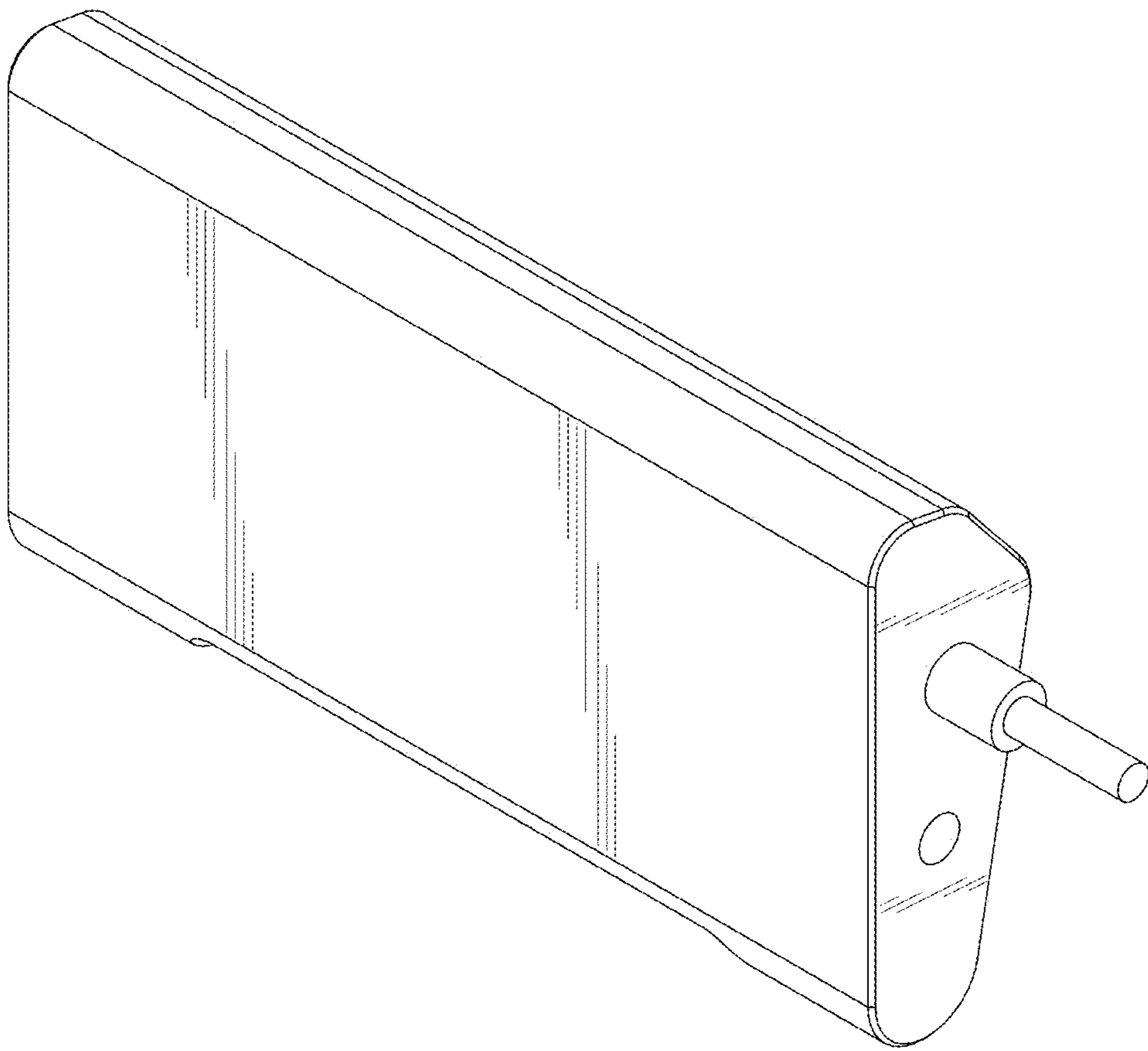


FIG.2

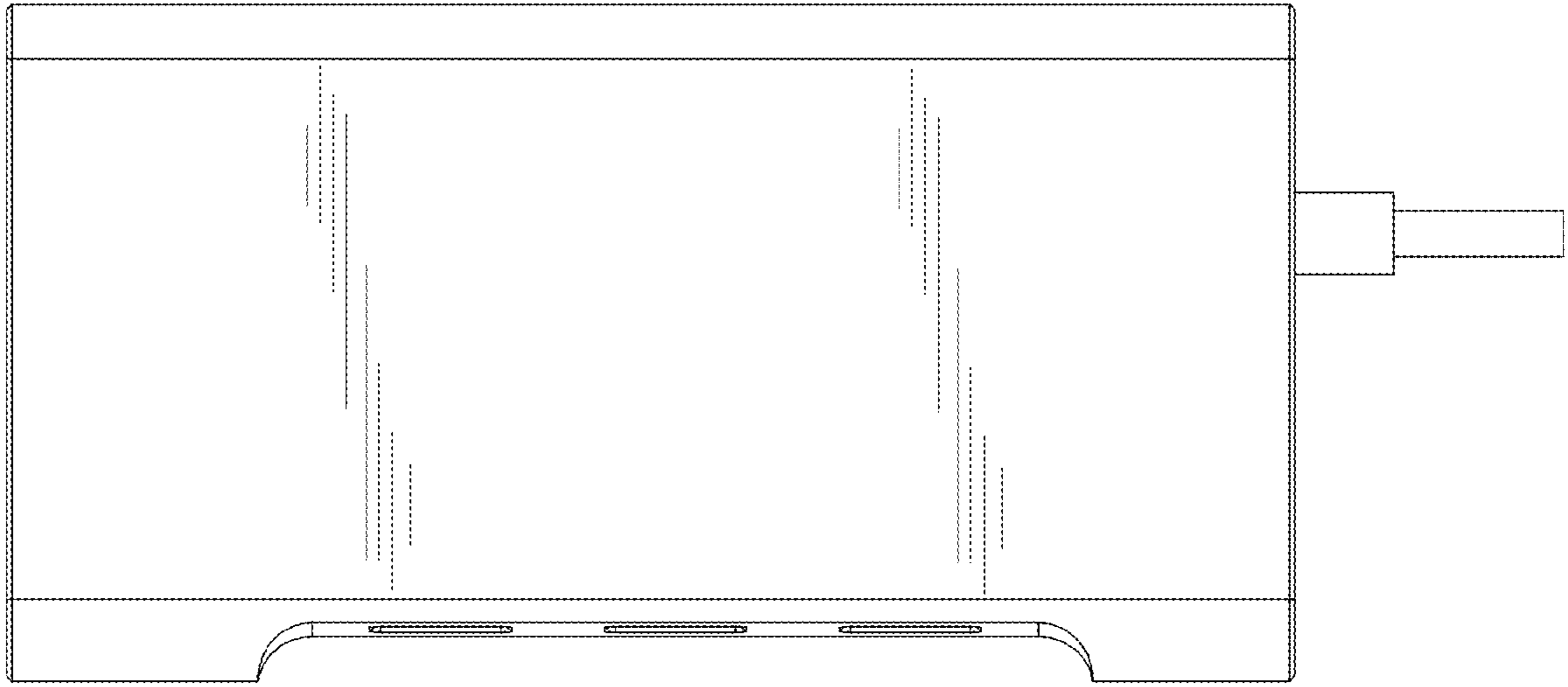


FIG.3

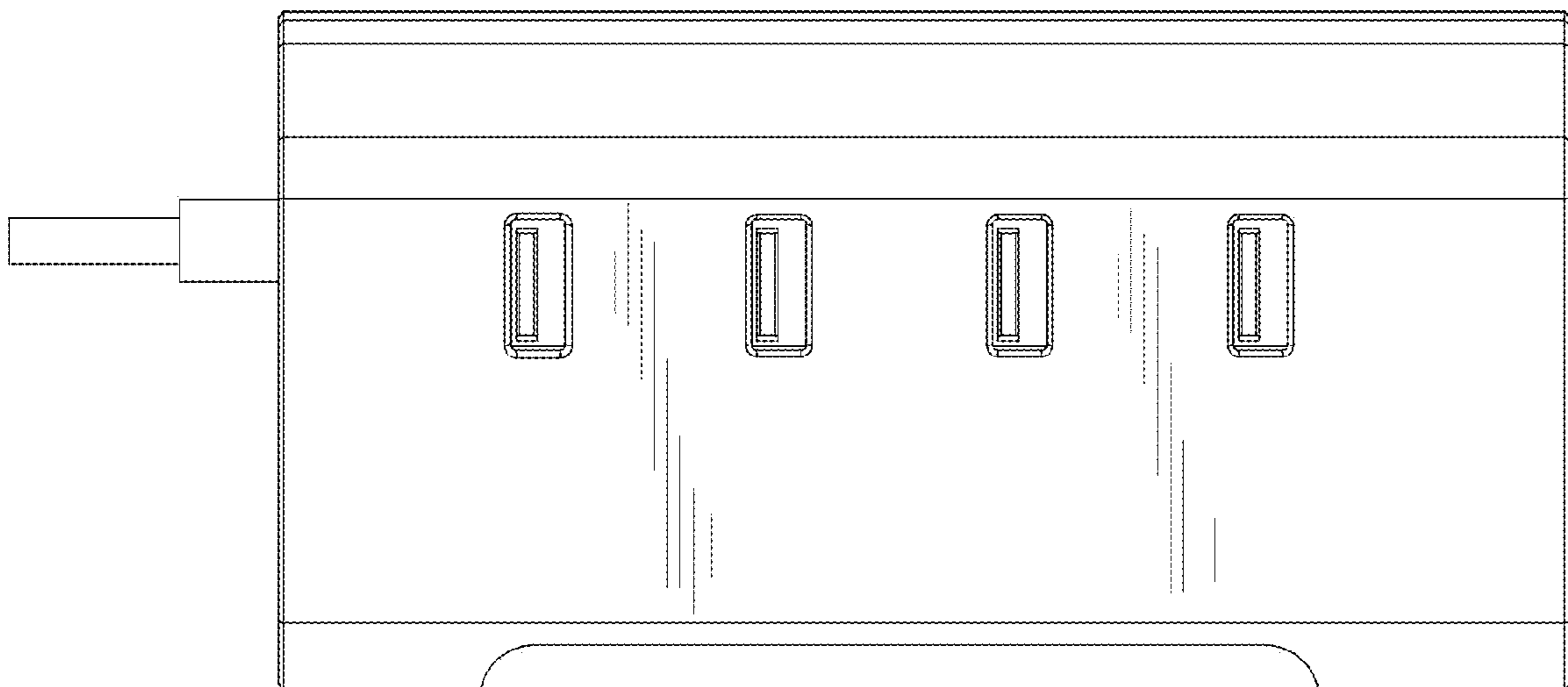


FIG.4

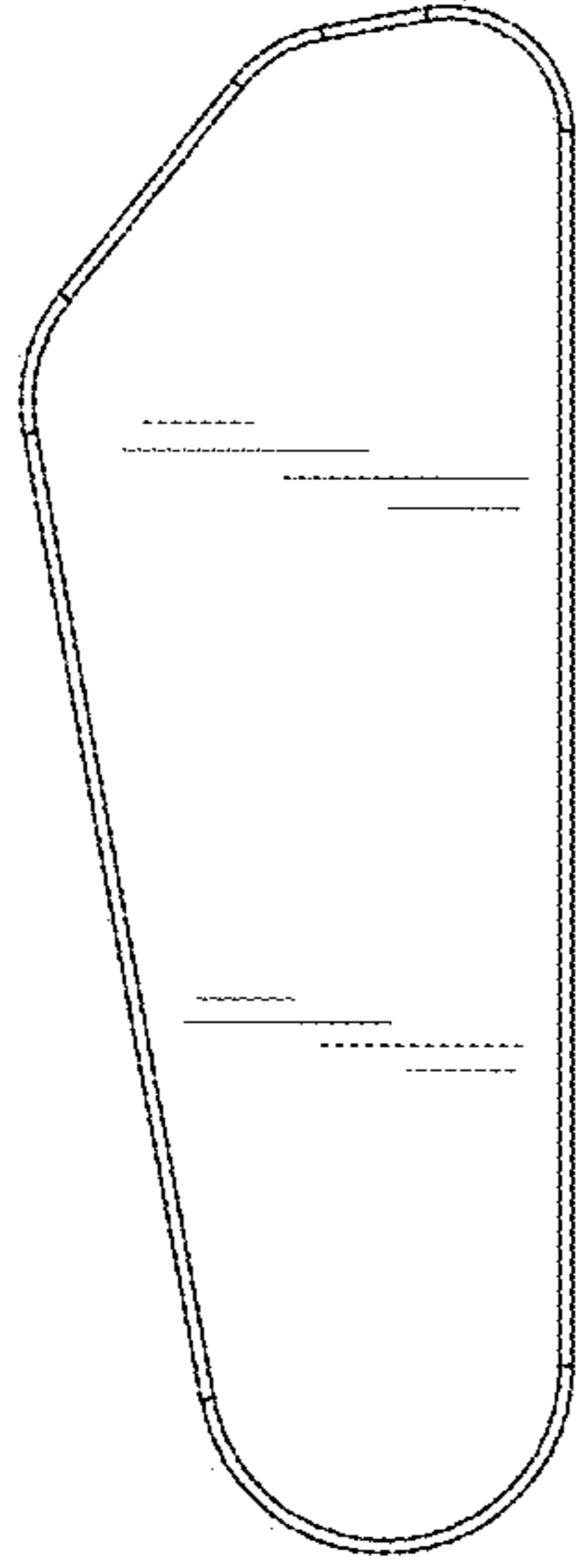


FIG. 5

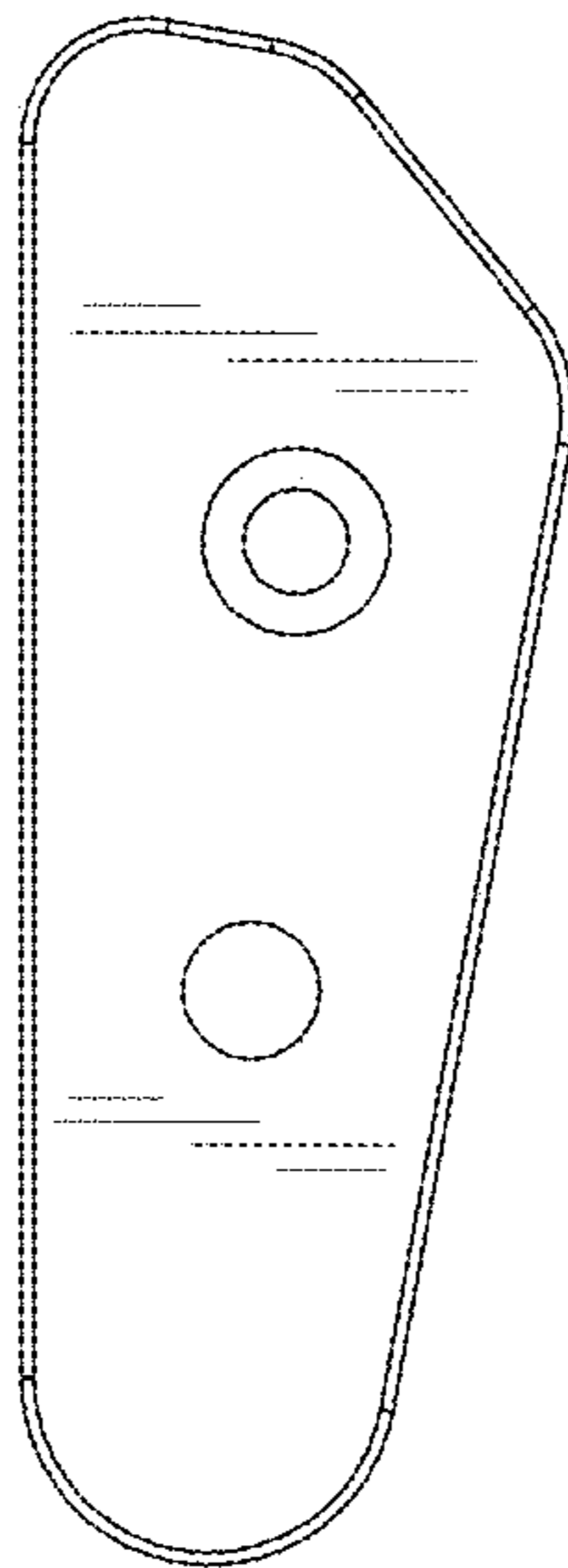


FIG. 6

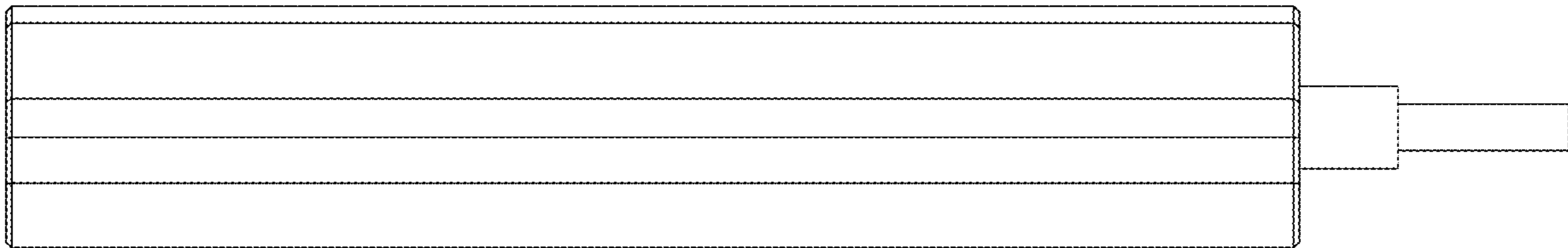


FIG. 7

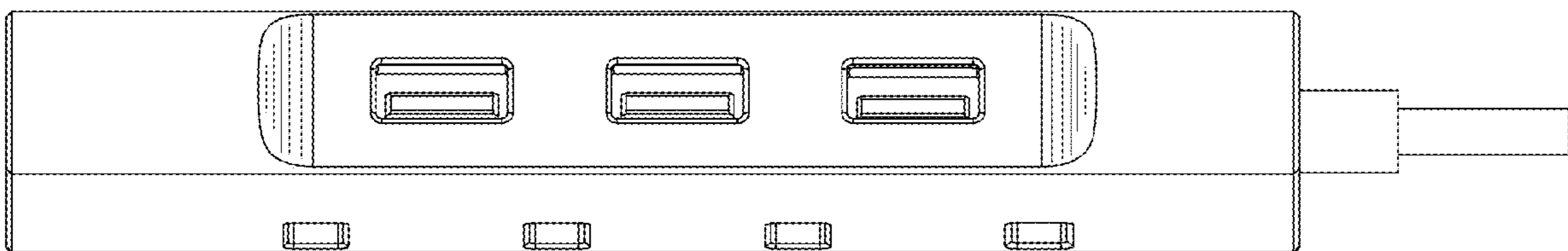


FIG. 8