



US00D883290S

(12) **United States Design Patent**  
**Zhan**

(10) **Patent No.:** **US D883,290 S**

(45) **Date of Patent:** **\*\* May 5, 2020**

(54) **USB HUB**

(71) Applicant: **Qingqing Zhan**, Longyan (CN)

(72) Inventor: **Qingqing Zhan**, Longyan (CN)

(73) Assignee: **Shenzhen Hongkeda Technology Co., Ltd.**, Shenzhen (CN)

(\*\*) Term: **15 Years**

(21) Appl. No.: **29/655,672**

(22) Filed: **Jul. 5, 2018**

(51) **LOC (12) Cl.** ..... **14-99**

(52) **U.S. Cl.**  
USPC ..... **D14/433**

(58) **Field of Classification Search**  
USPC ..... D14/240, 242, 356, 357, 358, 378, 383,  
D14/384, 385, 386, 433, 434, 435.1,  
D14/480.1, 480.4, 480.5; D13/103, 107,  
D13/108, 110, 146; D18/12, 12.1, 12.3  
CPC .... H01R 25/003; H01R 25/006; H01R 27/02;  
H01R 31/005; H01R 13/60; H01R  
13/6658; H01R 13/72; G06F 1/1607;  
G06F 1/1632; G06F 1/1684; G06F  
13/382; G06F 13/4022

See application file for complete search history.

(56) **References Cited**

**U.S. PATENT DOCUMENTS**

D514,559 S \* 2/2006 Chen ..... D14/480.1  
D609,076 S \* 2/2010 Stevenson ..... D8/330  
D711,884 S \* 8/2014 Turksu ..... D14/433  
D729,800 S \* 5/2015 Kitano ..... D14/383  
D786,885 S \* 5/2017 Eliyahu ..... D14/480.1  
D791,138 S \* 7/2017 Eliyahu ..... D14/435.1  
D826,942 S \* 8/2018 Lu ..... D14/433  
D834,580 S \* 11/2018 Wang ..... D14/435.1

D853,397 S \* 7/2019 Wang ..... D14/435.1  
D856,278 S \* 8/2019 Turksu ..... D13/108  
D862,385 S \* 10/2019 Turksu ..... D13/108  
D863,310 S \* 10/2019 Liao ..... D14/433  
2016/0202743 A1\* 7/2016 Li ..... H02J 7/0013  
710/313

**OTHER PUBLICATIONS**

LYFNLOVE USB Hub 3.0 Splitter,7 Port USB Data Hub with Power Adapter and One Charging Port,Individual On/Off Switches and Lights, Amazon online, no post date, URL: <https://www.amazon.com/LYFNLOVE-Splitter-Charging-Individual-Switches/dp/B072LW1RGG> , retrieved Dec. 4, 2019.\*

\* cited by examiner

*Primary Examiner* — Jeffrey D Asch  
*Assistant Examiner* — Rebekah A Caruso

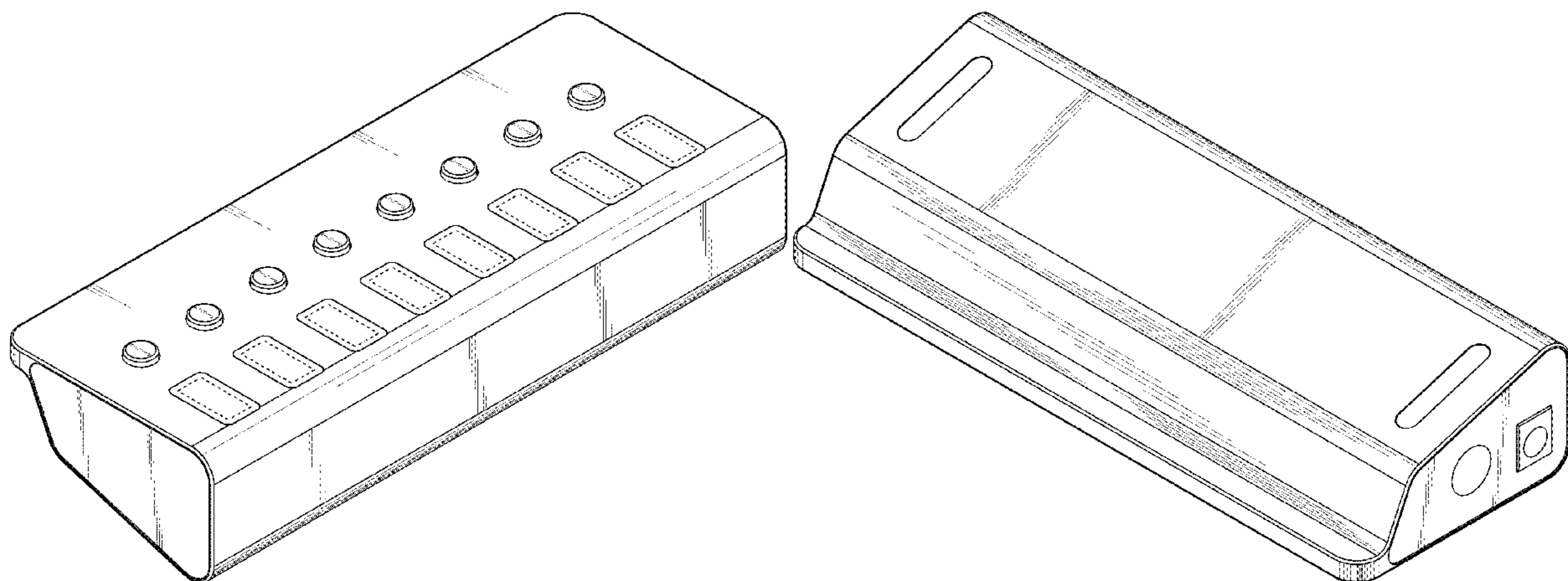
(57) **CLAIM**

The ornamental design for a USB hub, as shown and described.

**DESCRIPTION**

FIG. 1 is a front, top perspective view of a USB hub showing my new design;  
FIG. 2 is a rear, bottom perspective view thereof;  
FIG. 3 is a front elevational view thereof;  
FIG. 4 is a rear elevational view thereof;  
FIG. 5 is a left side elevational view thereof;  
FIG. 6 is a right side elevational view thereof;  
FIG. 7 is a top plan view thereof; and,  
FIG. 8 is a bottom plan view thereof.  
The broken lines shown in the figures represent the bounds of the claim and form no part thereof.

**1 Claim, 7 Drawing Sheets**



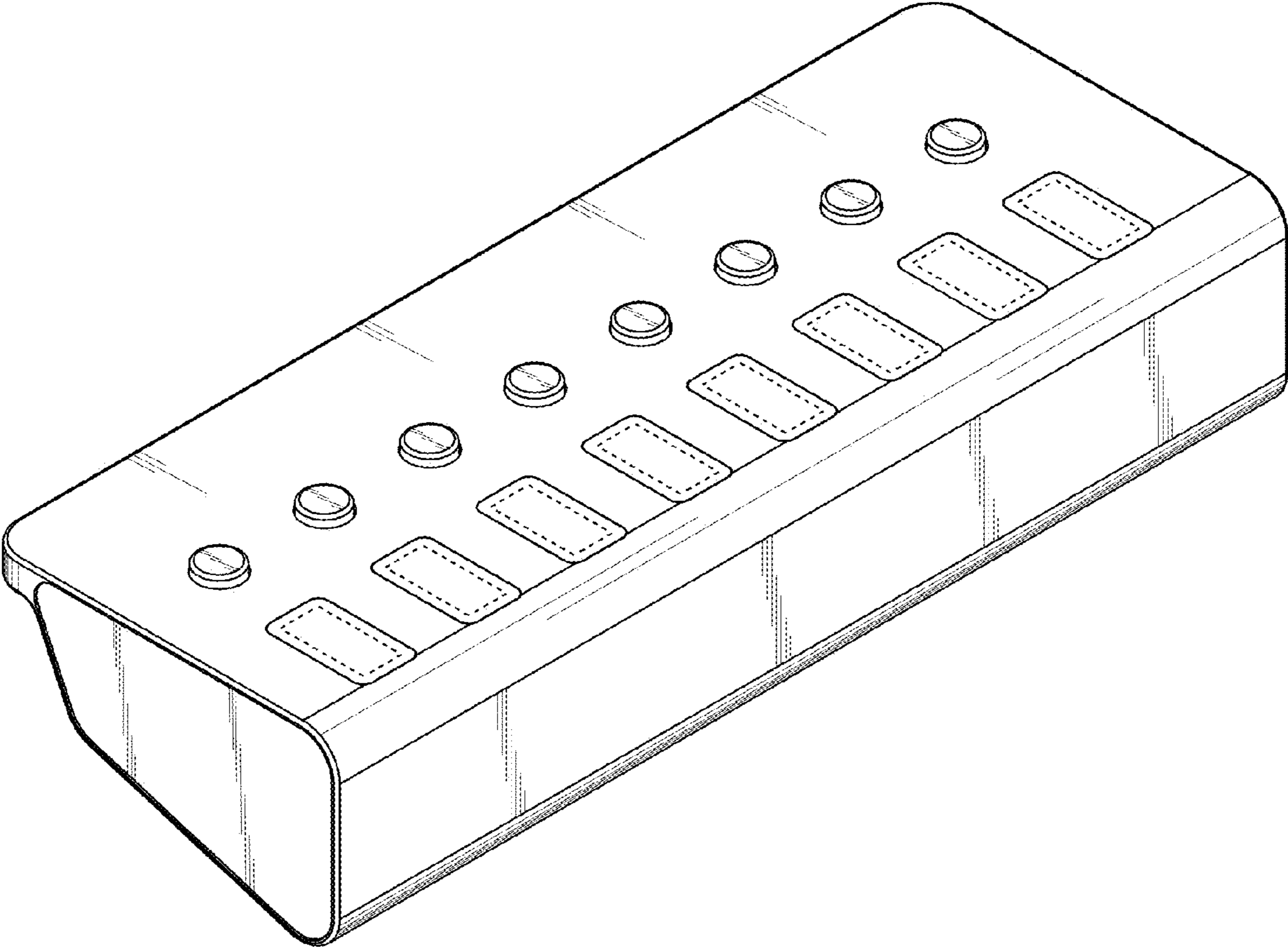


FIG.1

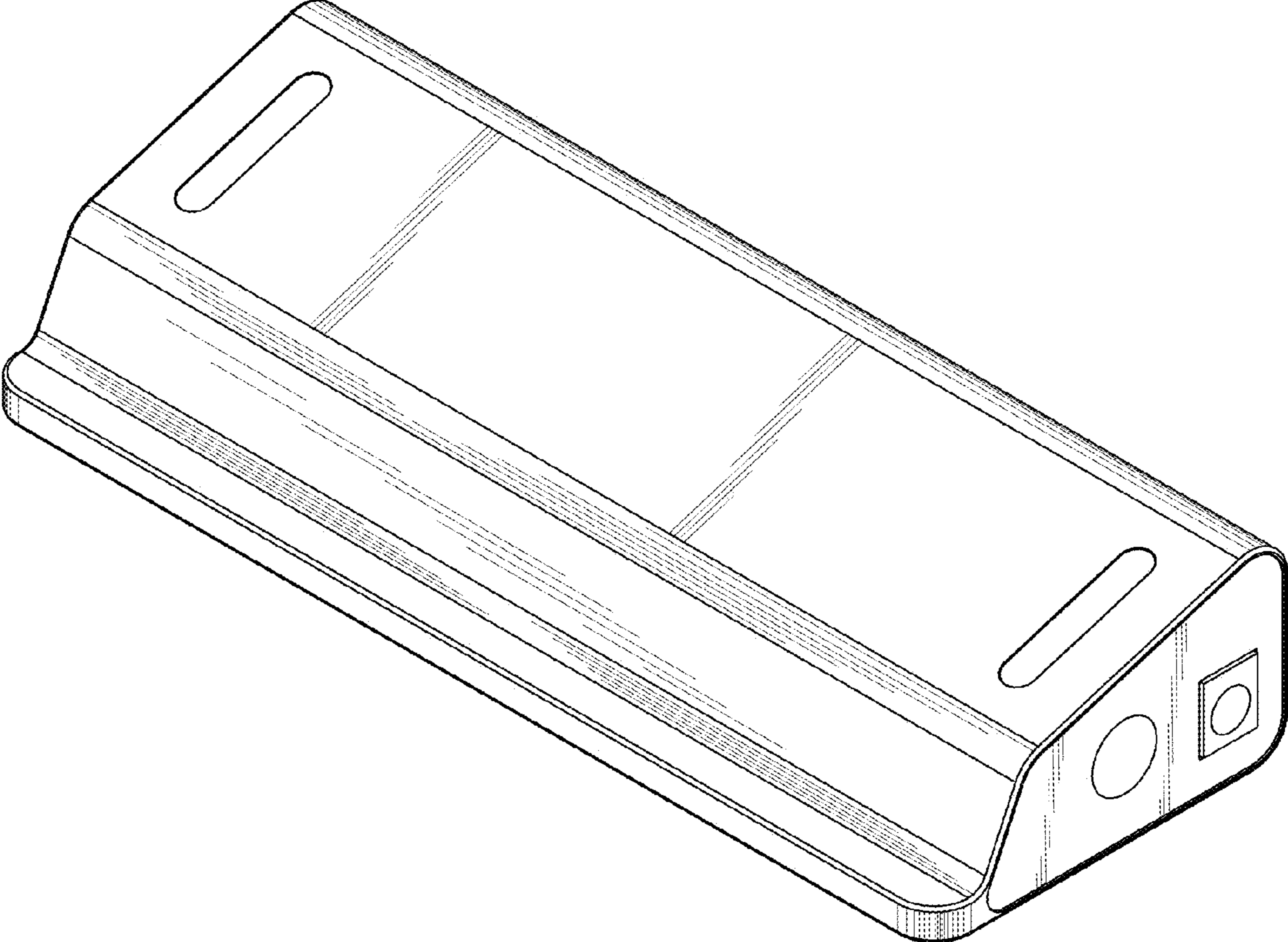


FIG.2



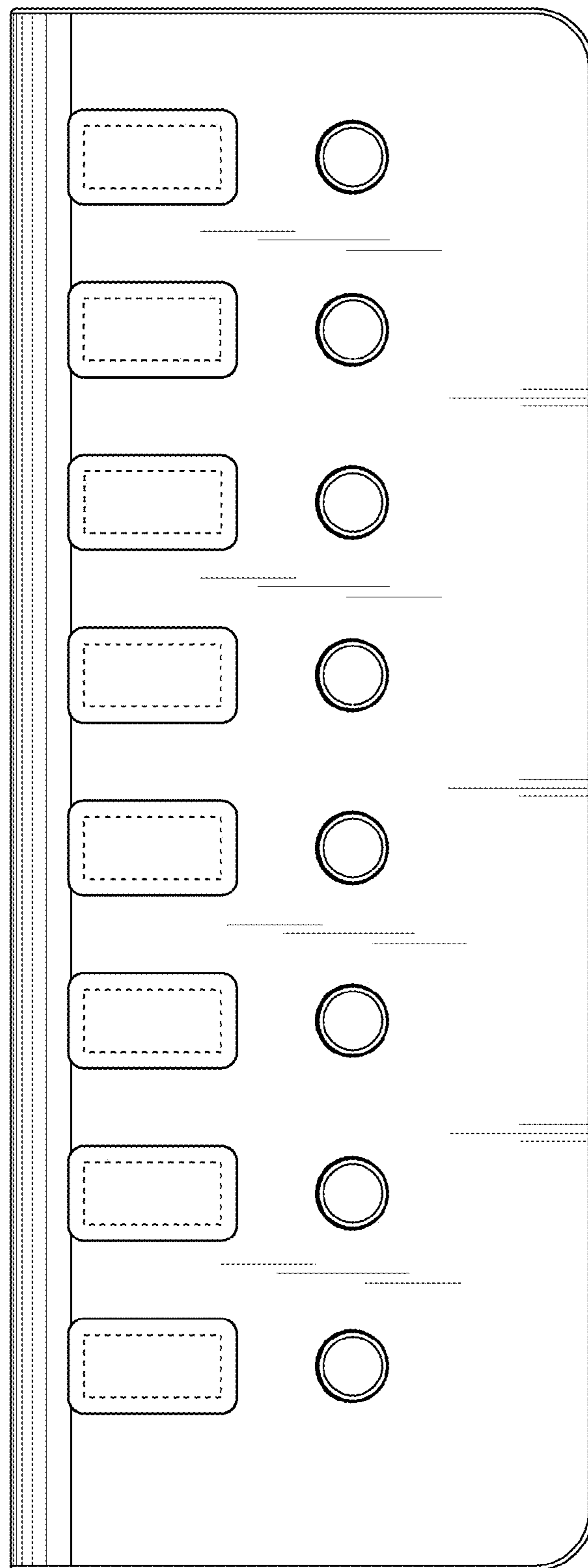


FIG.3

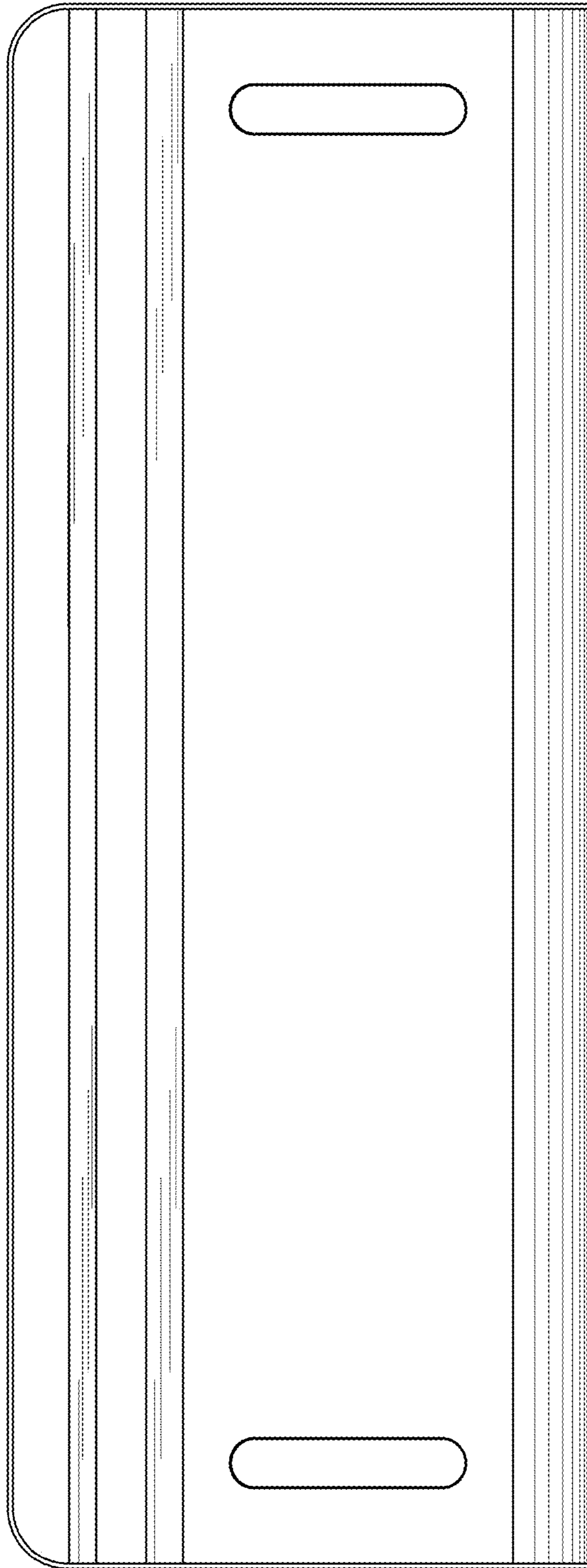


FIG. 4

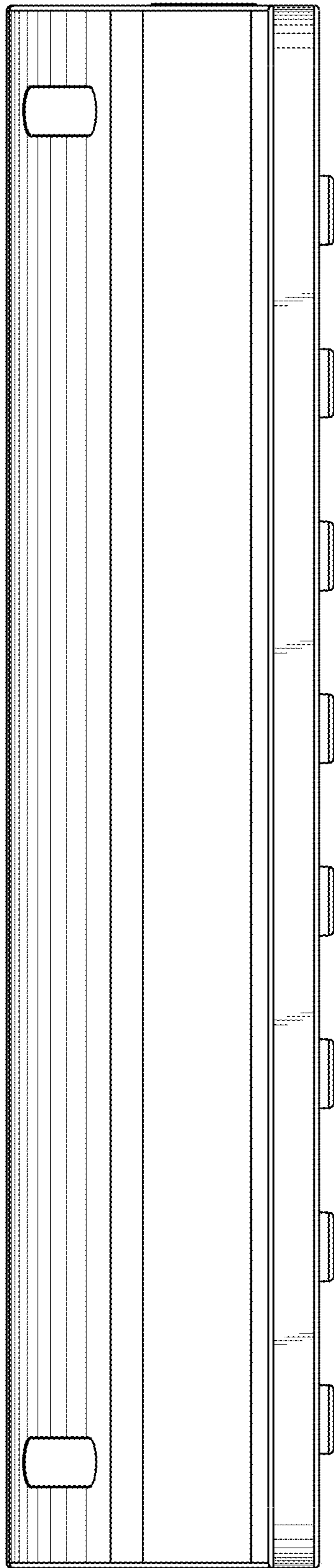


FIG.5

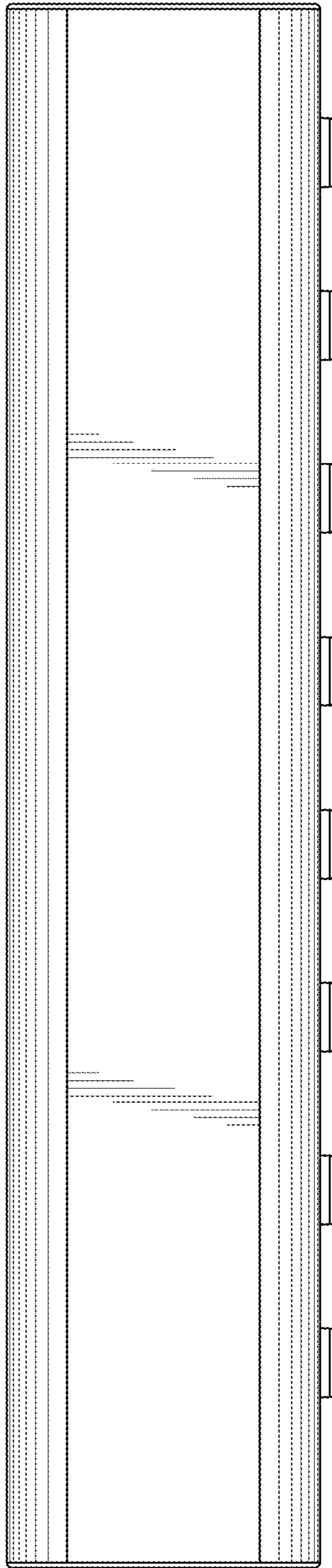


FIG.6

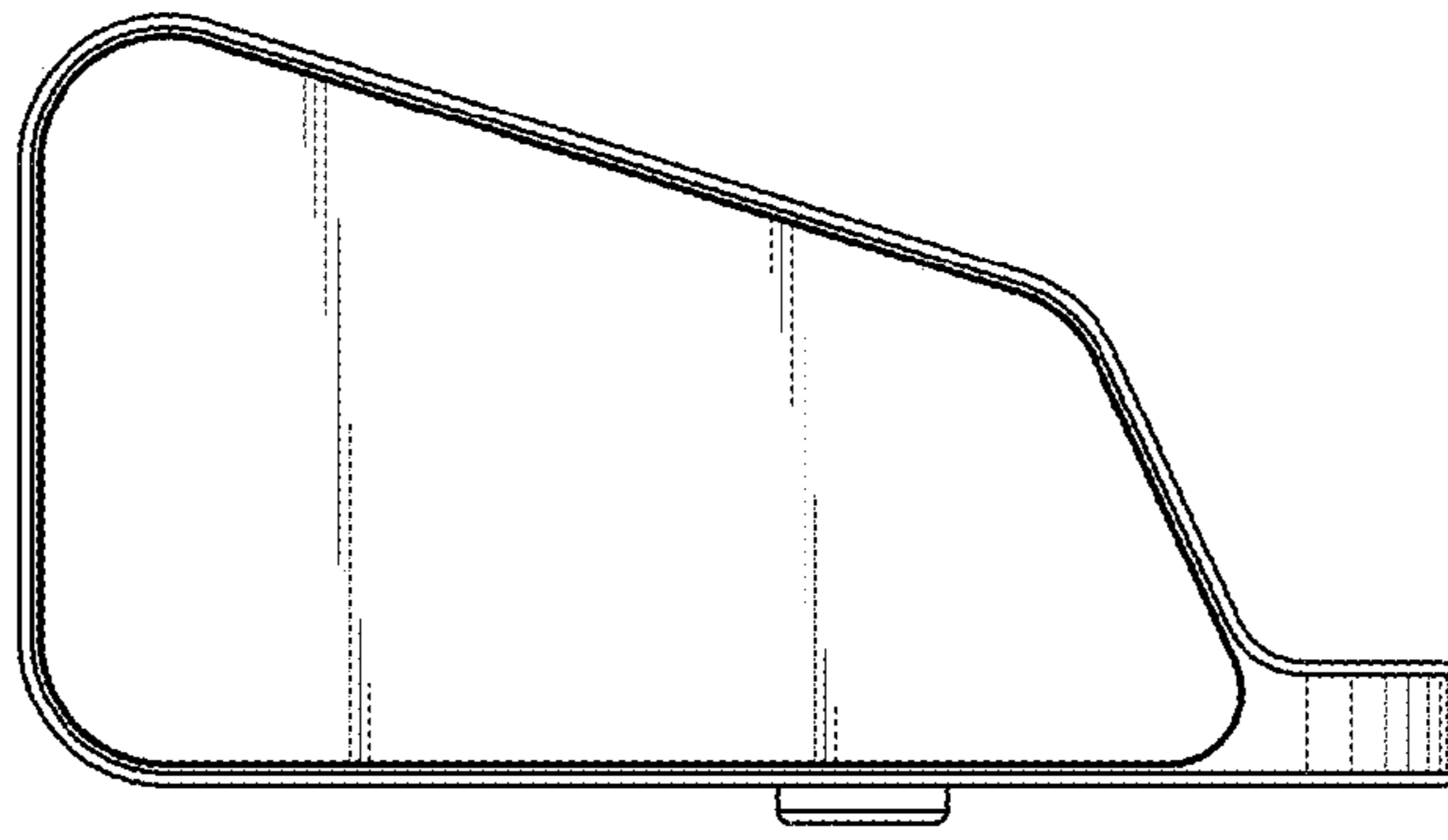


FIG. 7

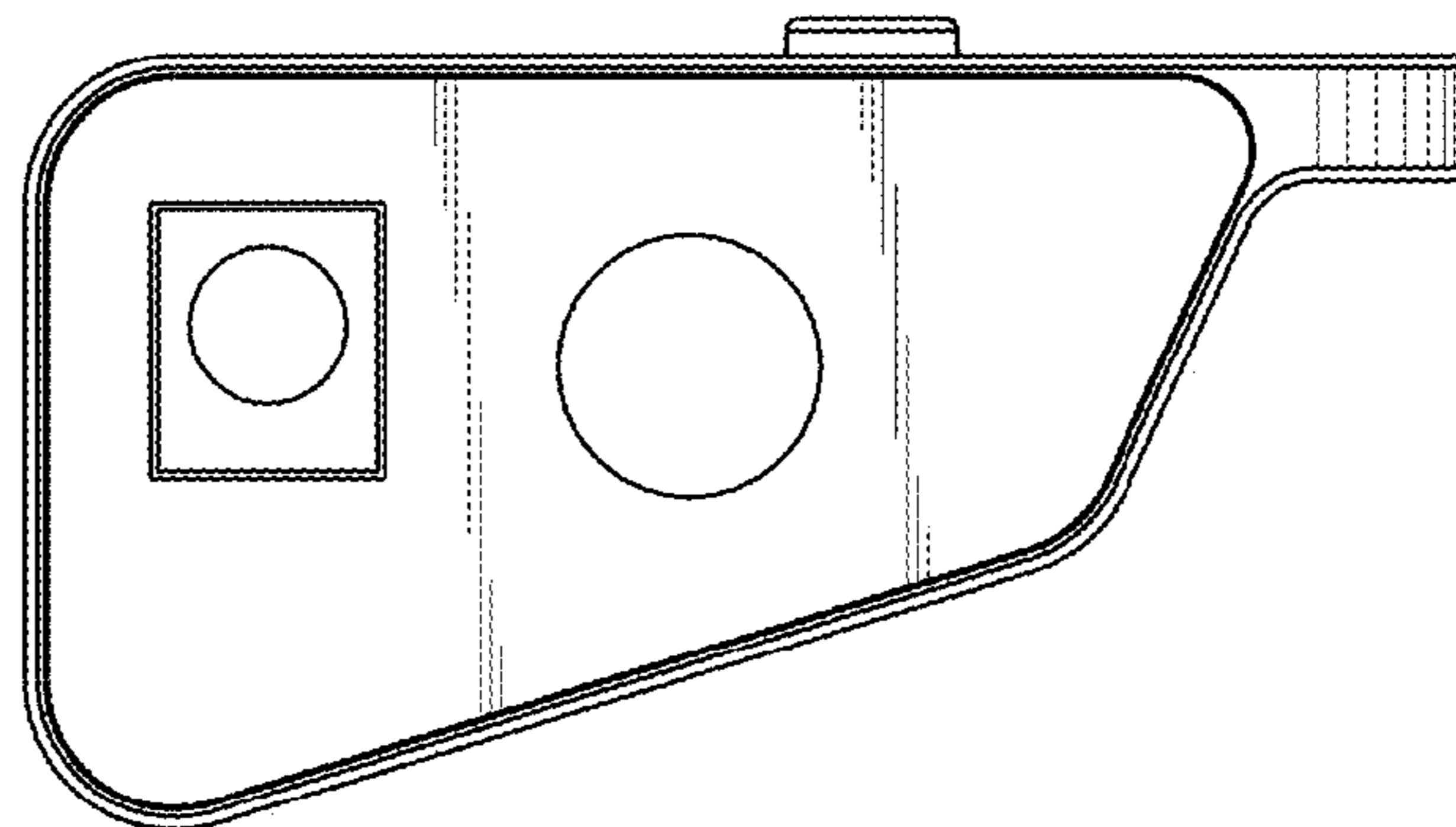


FIG. 8