



US00D883289S

(12) **United States Design Patent** (10) **Patent No.:** **US D883,289 S**
Chen (45) **Date of Patent:** **** May 5, 2020**

(54) **USB HUB**

(71) Applicant: **Haihui Chen**, Longyan (CN)

(72) Inventor: **Haihui Chen**, Longyan (CN)

(73) Assignee: **Shenzhen Tianhaolan Technology Co., Ltd.**, Shenzhen (CN)

(**) Term: **15 Years**

(21) Appl. No.: **29/655,671**

(22) Filed: **Jul. 5, 2018**

(51) **LOC (12) Cl.** **14-02**

(52) **U.S. Cl.**

USPC **D14/433**

(58) **Field of Classification Search**

USPC ... D14/434, 433, 435, 435.1, 356, 357, 358, D14/440, 447, 251-253, 432, 451, 452, D14/454, 140, 142, 149, 217, 240, 299, D14/496, 171; D13/103, 107, 108, 118, D13/119, 184, 110, 123, 133, 135; D21/333

CPC G06F 1/1616; G06F 1/1626; G06F 1/1632; G06F 1/1688; G06F 13/00; G06F 13/38; G06F 13/382; G06F 13/385; G06F 13/387; G06F 3/023; G06F 3/0658; G06F 9/541; G06F 2213/40; G06F 2213/4004; H01R 31/06; H01R 31/065; H01R 27/00; H04R 5/04

See application file for complete search history.

(56) **References Cited**

U.S. PATENT DOCUMENTS

D515,954 S *	2/2006	Crosby	D10/104.1
D780,116 S *	2/2017	Bing	D13/107
D799,423 S *	10/2017	Eliyahu	D13/108
D826,942 S *	8/2018	Lu	D14/433
D834,580 S *	11/2018	Wang	D14/435.1
D853,397 S *	7/2019	Wang	D14/435.1
D863,310 S *	10/2019	Liao	D14/433
2016/0202743 A1 *	7/2016	Li	G06F 1/26

OTHER PUBLICATIONS

Sabrent 10-Port 60W USB 3_0 Hub with Individual Power Switches. (online) 11 pgs. First Available Mar. 12, 2015. Retrieved Aug. 19, 2019] Cont. on V.*

Cont from U. https://www.amazon.com/Sabrent-10-Port-Individual-Switches-HB-BU10/dp/B0797NZFYYP/ref=asc_df_B0797NZFYYP/?tag=hyprod-20&linkCode=df0&hvadid=309776868400&hvpos=1o40&hvnetw=g&hvrnd=13662117225221284307&hvpone=&hvptwo=&hvqmt=&hvdev=c&hvdvcmdl=&hvlocint=&hvlocphy=9008192&hvtargid=pla-562988607001&psc=1.*

Atolla USB 3_0 Data Hub 11 Ports with individual on-off switches. (online) 12 pgs. First Available Jun. 11, 2018. [Retrieved Aug. 19, 2019] Cont. on X.*

Cont. from W https://www.amazon.com/Powered-USB-3-0-Atolla-Ports/dp/B07DN7Y7XC/ref=asc_df_B07DN7Y7XC/?tag=hyprod-20&linkCode=df0&hvadid=309773039951&hvpos=1o4&hvnetw=g&hvrnd=9505994279230012039&hvpone=&hvptwo=&hvqmt=&hvdev=c&hvdvcmdl=&hvlocint=&hvlocphy=9008192&hvtargid=pla-592859964154&psc=1.*

USB hubs. (Design—© Questel) orbit.com. [online PDF] 60 pgs. Print Dates range Jul. 16, 2014 through Jul. 9, 2019. [Retrieved on Aug. 19, 2019] <https://sobjprd.questel.fr/export/QPTUJ214/pdf2/2c38dddc-cc4e-4577-82af-1506d5bb1fe1-185916.pdf>.*

(Continued)

Primary Examiner — Marie D. Fast Horse

(57) **CLAIM**

The ornamental design for a USB hub, as shown and described.

DESCRIPTION

FIG. 1 is a perspective view of a USB hub showing my new design;

FIG. 2 is a front elevational view thereof;

FIG. 3 is a rear elevational view thereof;

FIG. 4 is a left side elevational view thereof;

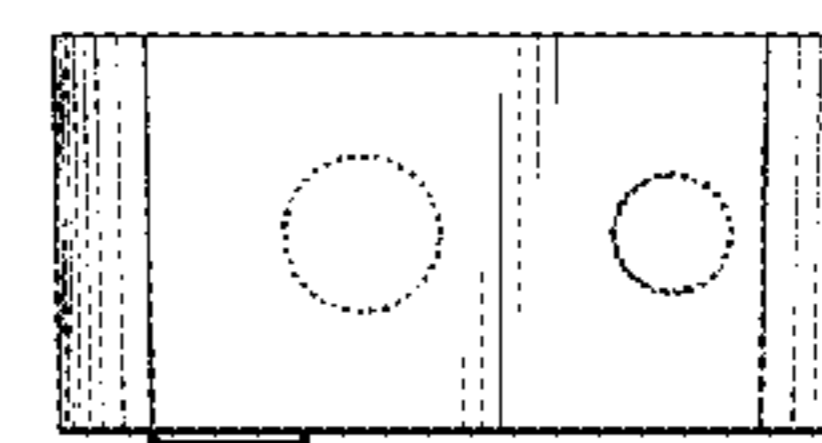
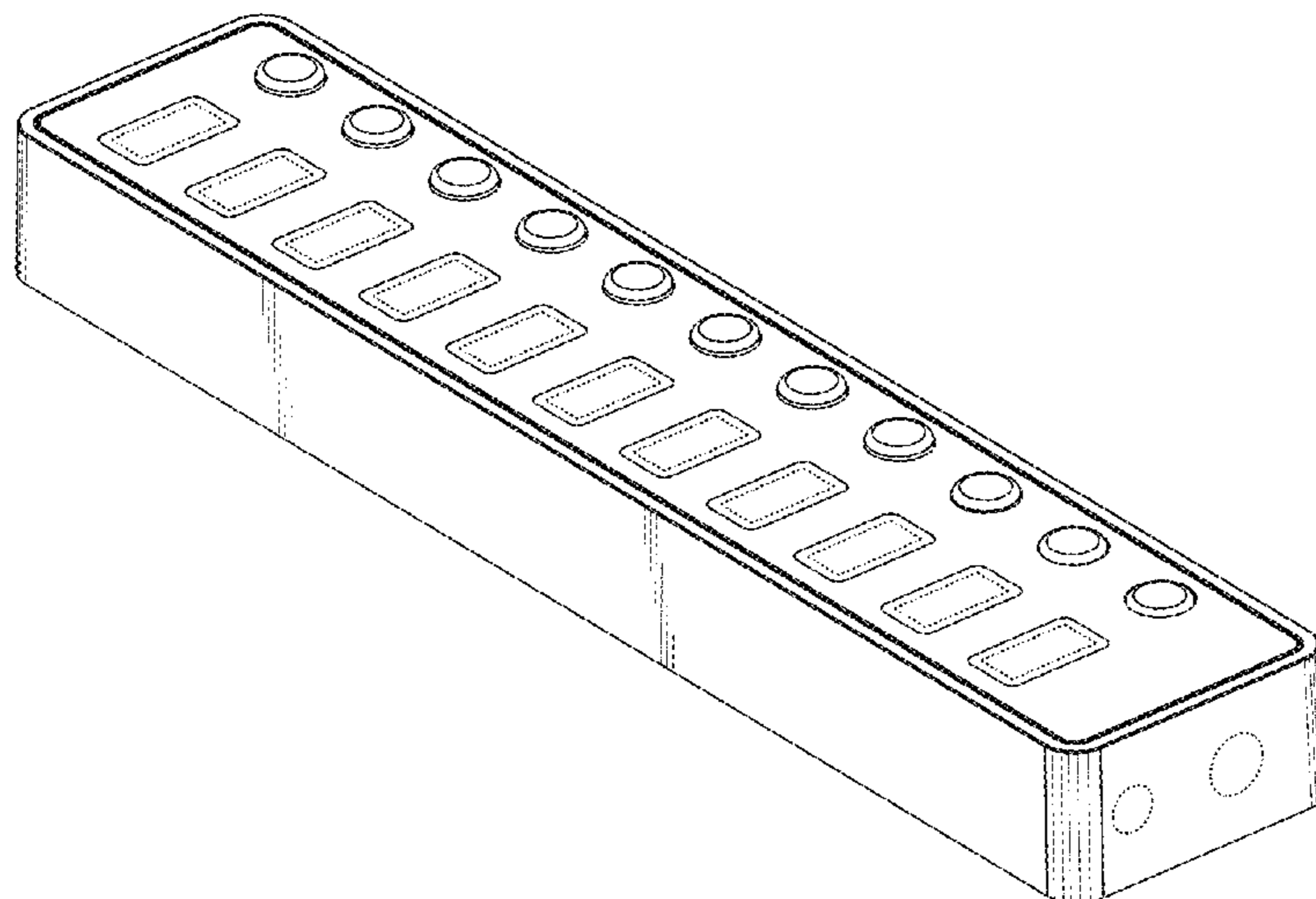
FIG. 5 is a right side elevational view thereof;

FIG. 6 is a top plan view thereof; and,

FIG. 7 is a bottom plan view thereof.

The broken lines depict the portions of the USB hub that form no part of the claimed design.

1 Claim, 4 Drawing Sheets



(56)

References Cited

OTHER PUBLICATIONS

RSHTECH USB 3_0 Hub Powered 7 Port with individual on-off switches. (online) 12 pgs. First Available Jul. 9, 2018. [Retrieved Aug. 19, 2019] Cont. on W.*

Cont. from V https://www.amazon.com/dp/B07FCL3ZP8/ref=sspa_dk_detail_8?psc=1&spLa=ZW5jcmlwdGVkUXVhbGlmaWVyPUEzQURTvTBXSEIEVUFRJmVuY3J5cHRIZElkPUEwNzEwOTk0M0xVWIA4QkhSOUtNVCZlbnNyeXB0ZWRBZEIkPUEwODAyNDMwRDhBOFJKWVJJOENQJndpZGdlE5hbWU9c3BfZGV0YWlsMiZhY3Rpb249Y2xpY2tSZWRpcmVjdCZkb05vdExvZ0NsaWNrPXRydWU=.*

Best USB 3_0 Hub—Anker USB 3_0 Hub Review. (Online video) published Jan. 7, 2017. [Retrieved on Jan. 6, 2020] <https://www.youtube.com/watch?v=Qu2dcervHd0>.*

Apanage Powered USB 3_0 Hub-11 Ports USB Hub Splitter. (online) listed Jun. 19, 2018. [Retrieved on Jan. 6, 2020] https://www.amazon.com/Splitter-Transfer-Charging-Individual-Switches/dp/B07DW646GY?ref_ast_bbp_dp.*

* cited by examiner

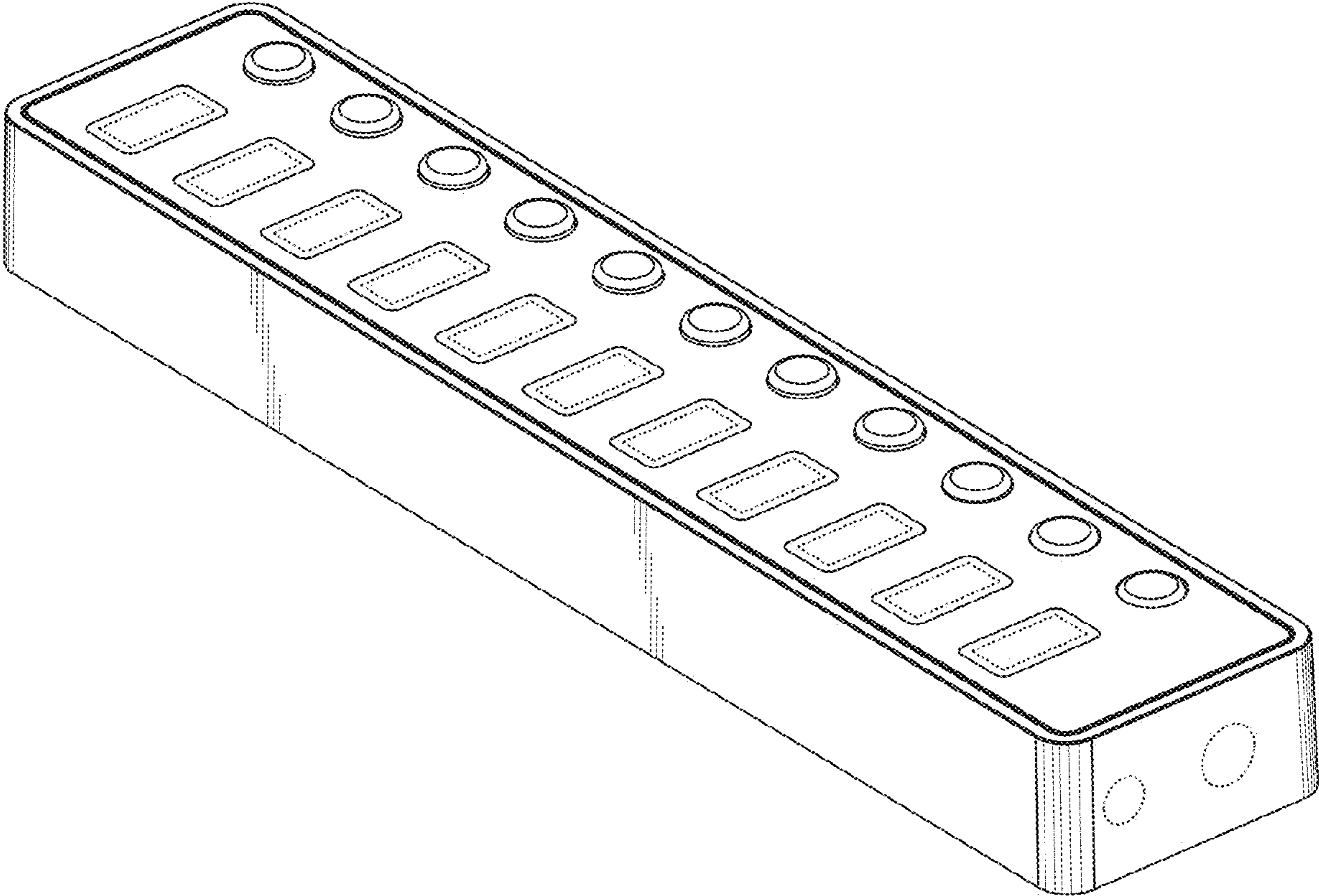


FIG. 1

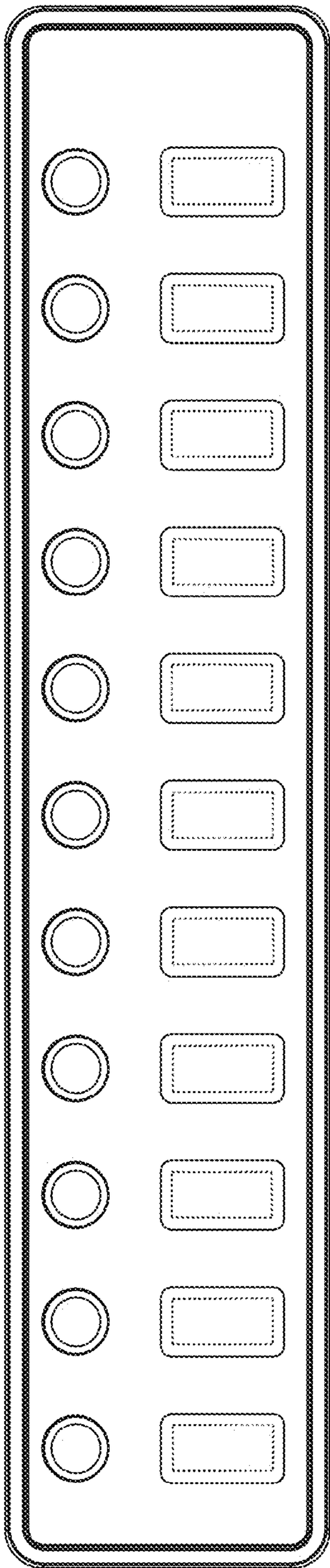


FIG. 2

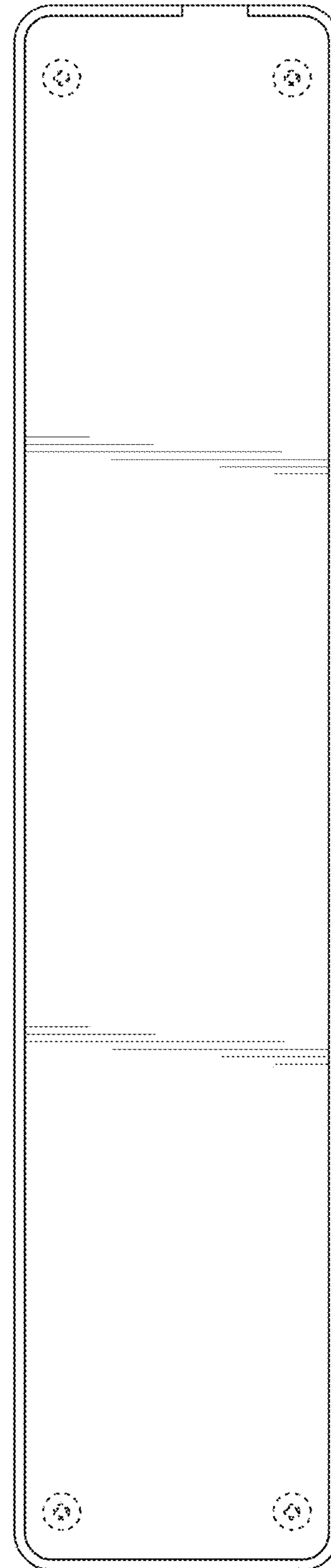


FIG. 3

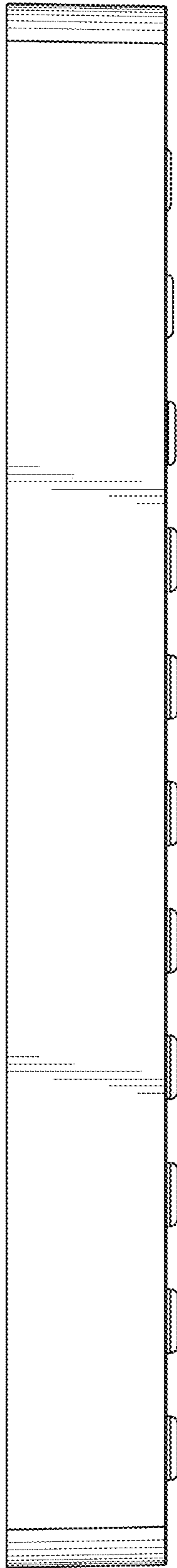


FIG. 4

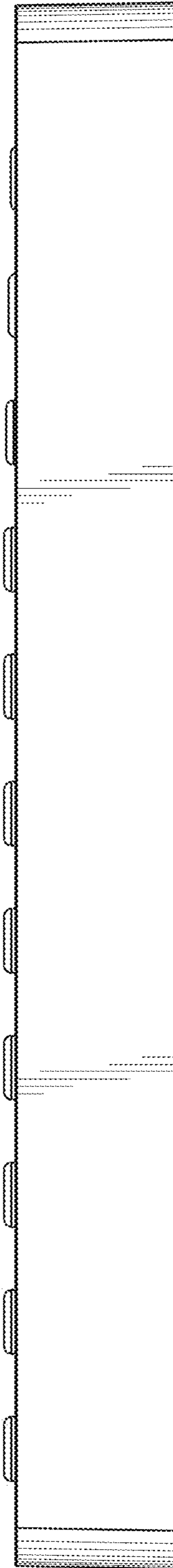


FIG. 5

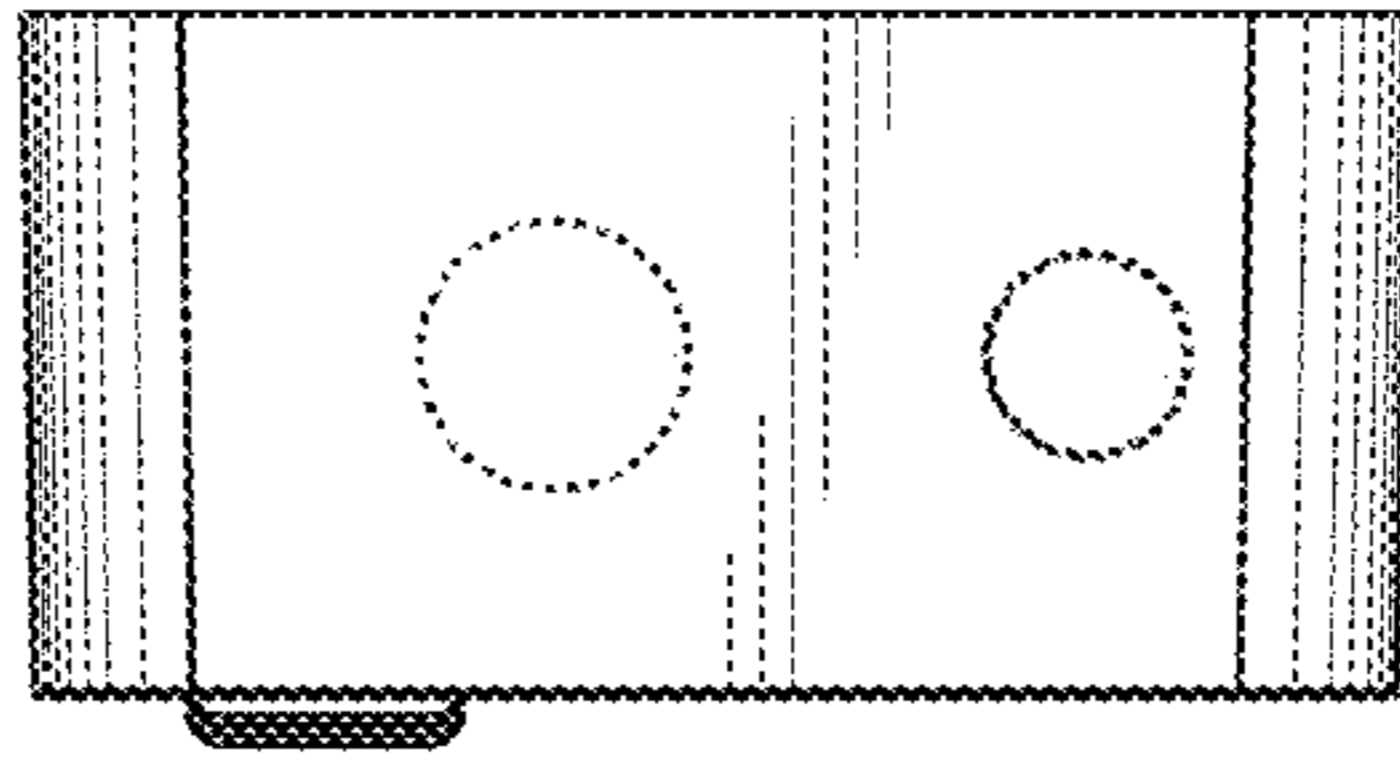


FIG. 6

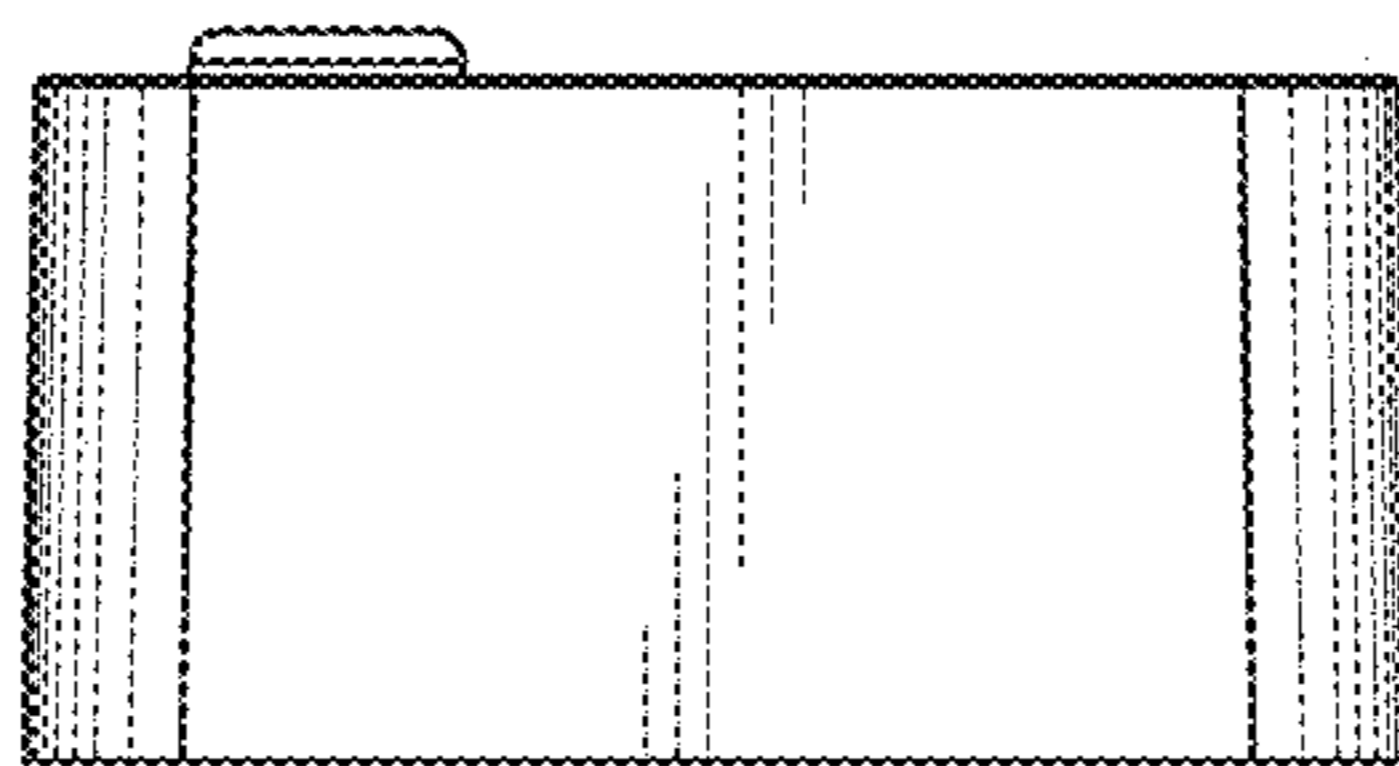


FIG. 7