



US00D883288S

(12) **United States Design Patent** (10) **Patent No.:** **US D883,288 S**
Zhan (45) **Date of Patent:** **** May 5, 2020**

(54) **USB TYPE-C HUB**
(71) Applicant: **Qingqing Zhan**, Longyan (CN)
(72) Inventor: **Qingqing Zhan**, Longyan (CN)
(**) Term: **15 Years**
(21) Appl. No.: **29/628,401**
(22) Filed: **Dec. 5, 2017**
(51) **LOC (12) Cl.** **14-02**
(52) **U.S. Cl.**
USPC **D14/433**
(58) **Field of Classification Search**
USPC D14/356-357, 432-434, 435.1, 438;
D13/103, 107, 108, 110, 123, 133, 139.7,
D13/147
CPC H01R 25/00; H01R 25/003; H01R 27/00;
H01R 31/06; H01R 31/065; G06F
1/1632; G06F 9/541; G06F 2213/40;
G06F 2213/4004
See application file for complete search history.

D863,310 S * 10/2019 Liao D14/433
D864,206 S * 10/2019 Wang D14/433
D865,676 S * 11/2019 Liao D13/147
D866,557 S * 11/2019 Xiong D14/433
D867,367 S * 11/2019 Wang D14/433
D868,784 S * 12/2019 Turksu D14/385
2018/0165053 A1* 6/2018 Kuo G06F 3/1454
2018/0198248 A1* 7/2018 Sun G06F 1/1632

OTHER PUBLICATIONS

Barbosa, Greg, Review: Satechi Type-C Pro Hub, the hub Apple should have made, posted at 9to5Mac, posting date Jun. 2, 2017. Site visited Dec. 18, 2019. URL: <https://9to5mac.com/2017/06/02/review-satechi-type-c-pro-hub-the-hub-apple-should-have-made/> (Year: 2017).*
Guy, Nick, The best USB-C adapters, cables and hubs, posted at wirecutter/engadget, posting date Oct. 6, 2017. Site visited Dec. 18, 2019. URL: <https://www.engadget.com/2017/10/06/the-best-usb-c-adapters-cables-and-hubs-for-old-accessories/> (Year: 2017).*

* cited by examiner

Primary Examiner — Kevin K Rudzinski
Assistant Examiner — Kathleen L Jones

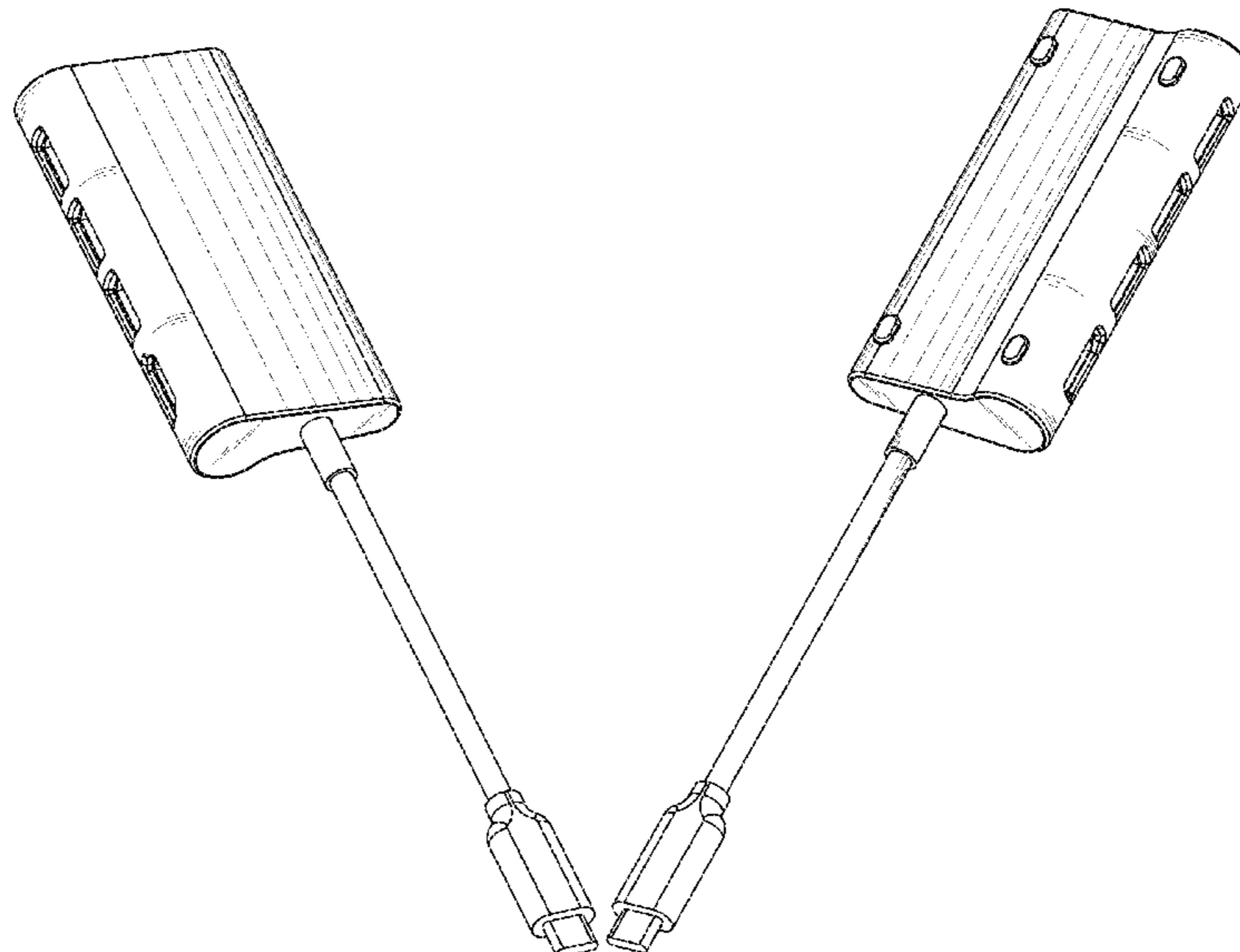
(56) **References Cited**
U.S. PATENT DOCUMENTS
D755,790 S * 5/2016 Salvatori D14/433
D775,414 S * 12/2016 Ampolini D13/108
D788,112 S * 5/2017 Liao D14/433
D791,138 S * 7/2017 Eliyahu D14/435.1
D798,301 S * 9/2017 Kujawski D14/433
D809,793 S * 2/2018 Hahn D3/249
D822,598 S * 7/2018 Warren D13/108
D828,841 S * 9/2018 Zhang D14/433
D841,007 S * 2/2019 Xie D14/433
D847,139 S * 4/2019 Wang D14/433
D853,396 S * 7/2019 Kong D14/434
D853,397 S * 7/2019 Wang D14/435.1
D854,018 S * 7/2019 Liao D14/434
D854,020 S * 7/2019 Liao D14/434
D855,054 S * 7/2019 Turksu D14/433
D856,278 S * 8/2019 Turksu D13/108
D862,385 S * 10/2019 Turksu D13/108

(57) **CLAIM**
The ornamental design for a USB type-C hub, as shown and described.

DESCRIPTION

FIG. 1 is a front elevational view of a USB type-C hub showing my new design;
FIG. 2 is a rear elevational view thereof;
FIG. 3 is a left side elevational view thereof;
FIG. 4 is a right side elevational view thereof;
FIG. 5 is a top plan view thereof;
FIG. 6 is a bottom plan view thereof;
FIG. 7 is a front perspective view thereof; and,
FIG. 8 is a rear perspective view thereof.

1 Claim, 7 Drawing Sheets



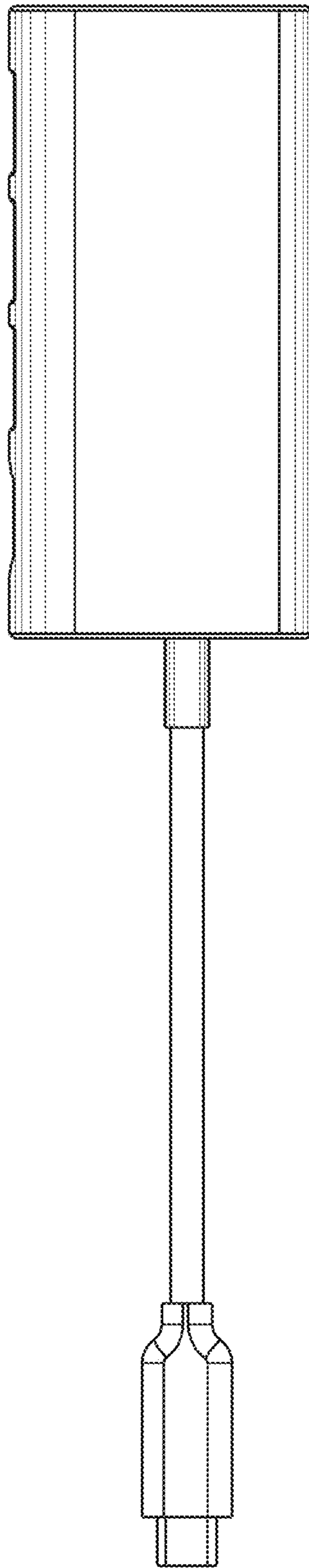


FIG. 1

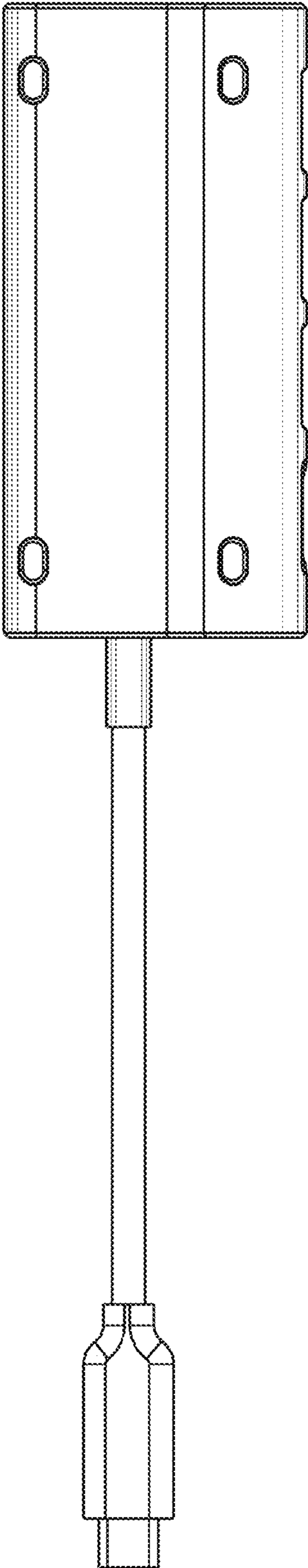


FIG.2

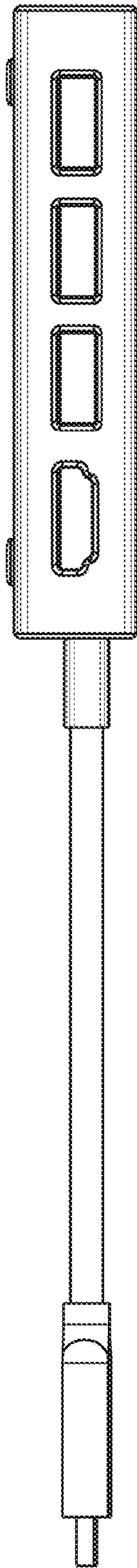


FIG.3

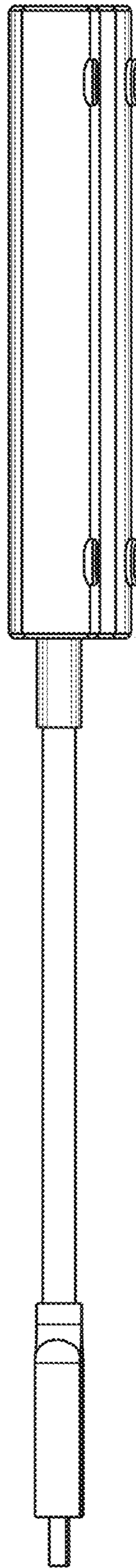


FIG.4

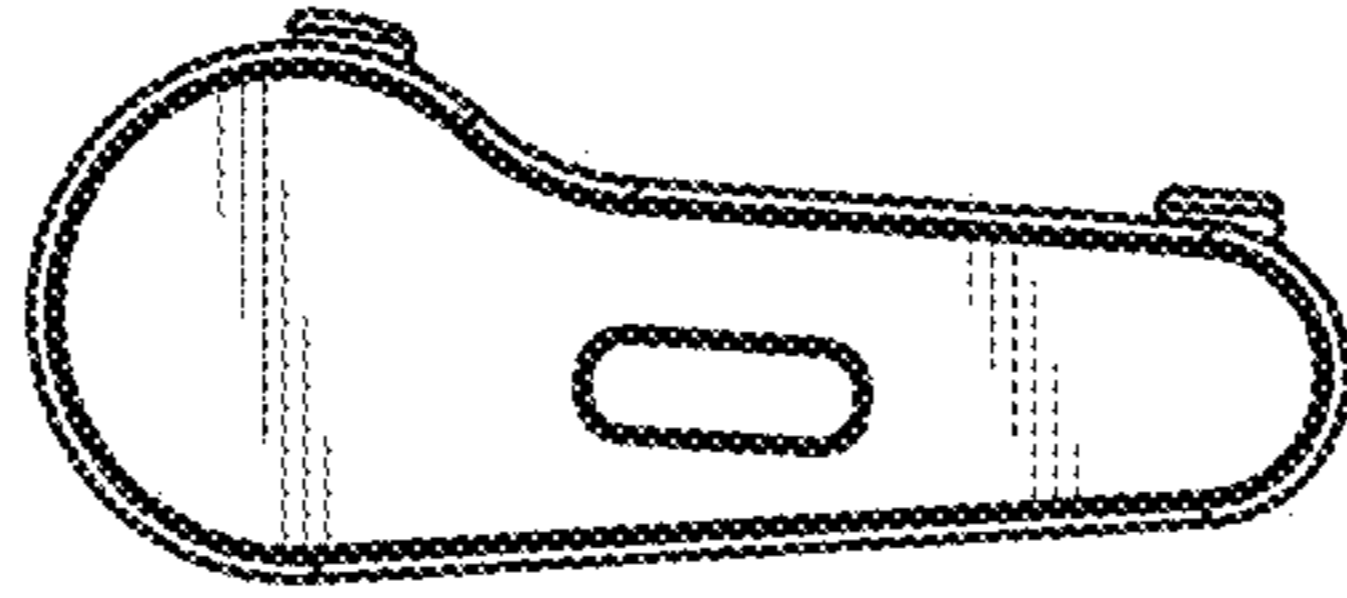


FIG. 5

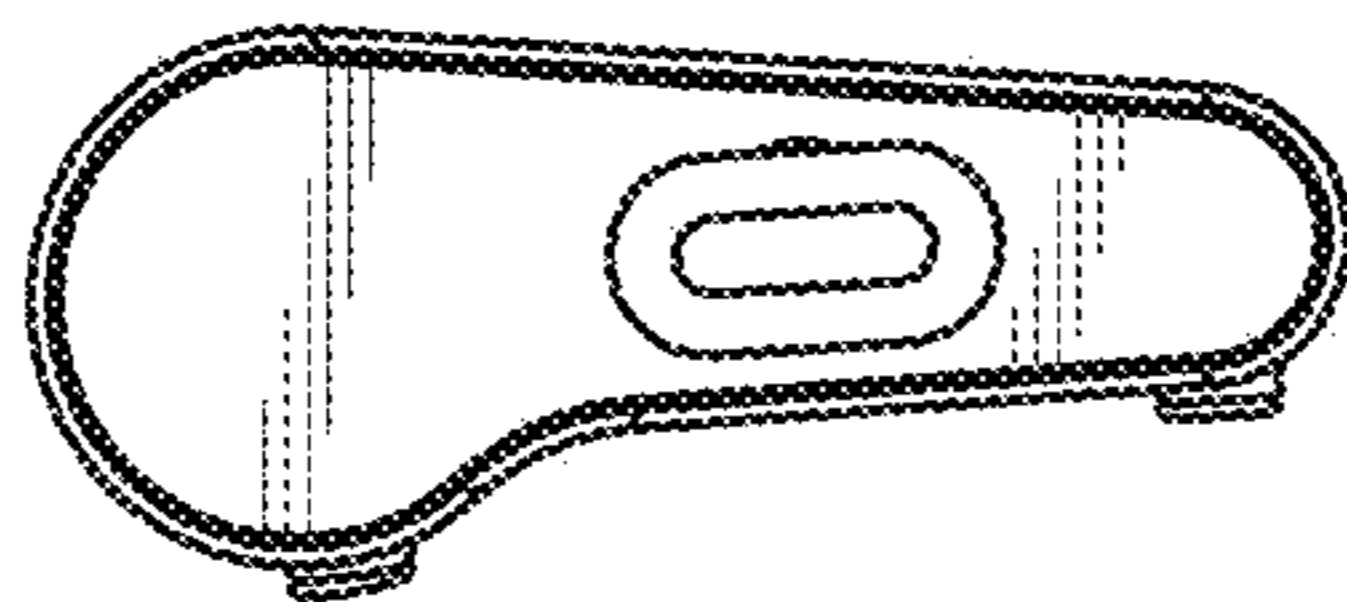


FIG. 6

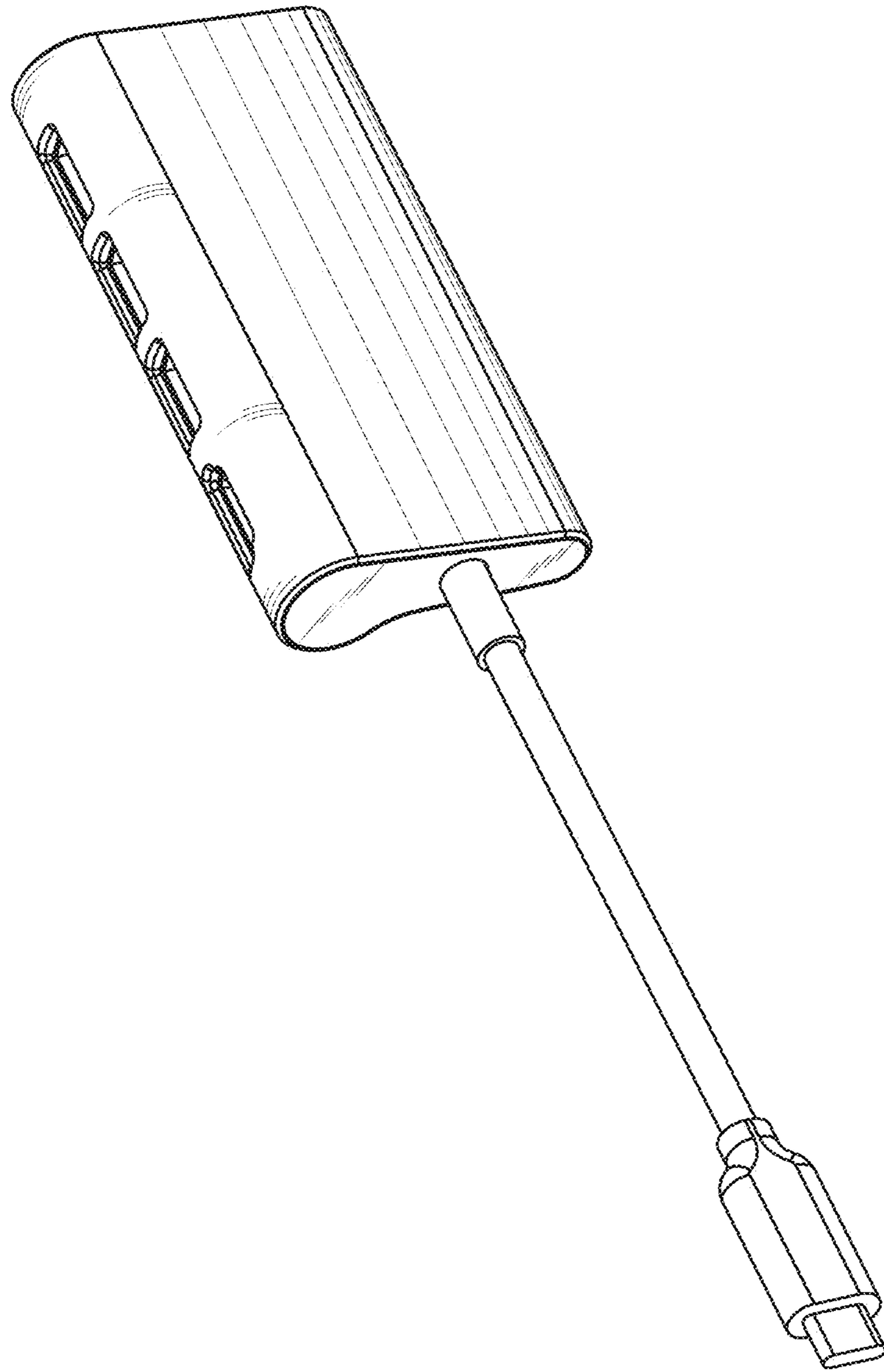


FIG.7

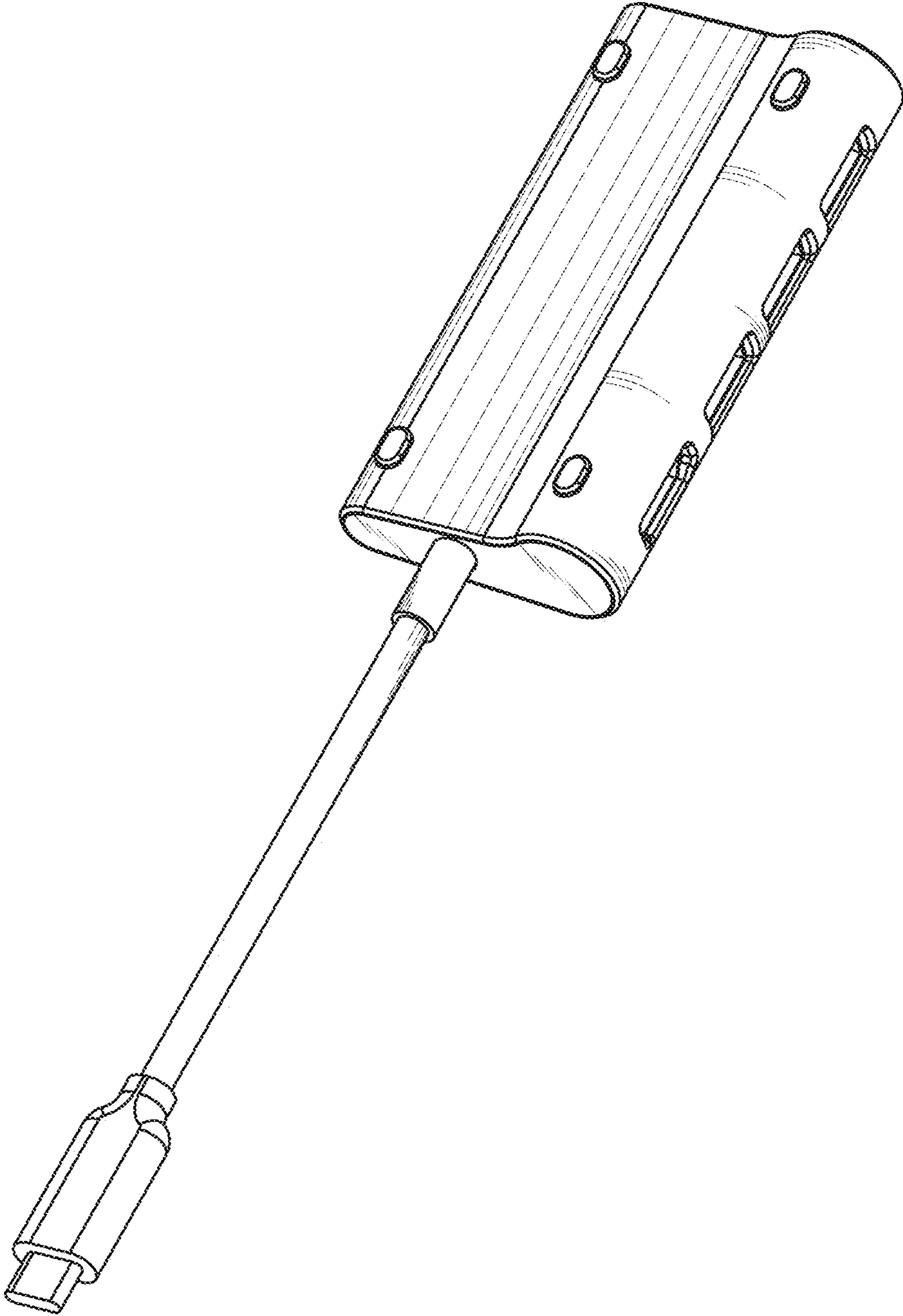


FIG.8