



US00D883287S

(12) **United States Design Patent** (10) **Patent No.:** **US D883,287 S**  
**Sieckowski et al.** (45) **Date of Patent:** **\*\* May 5, 2020**

(54) **DATA CAPTURE DEVICE**

(71) Applicant: **SYMBOL TECHNOLOGIES, LLC**,  
Lincolnshire, IL (US)

(72) Inventors: **Steven D. Sieckowski**, Port Jefferson,  
NY (US); **Roland Wing Fai Lee**,  
Jericho, NY (US); **Ian R. Jenkins**,  
Stony Brook, NY (US)

(73) Assignee: **Symbol Technologies, LLC**, Holtsville,  
NY (US)

(\*\*) Term: **15 Years**

(21) Appl. No.: **29/636,305**

(22) Filed: **Feb. 7, 2018**

(51) **LOC (12) Cl.** ..... **14-02**

(52) **U.S. Cl.**  
USPC ..... **D14/428**

(58) **Field of Classification Search**  
USPC ..... D14/420, 426-430, 453, 346, 341, 347,  
D14/412, 138 R, 138 AA, 138 C;  
D13/107, 184; 358/473; 235/462.43,  
235/462.45, 462.47, 462.48, 462.44,  
235/462.46, 487, 472.01, 472.02, 145 A,  
235/145 R, 385, 440, 383, 454, 462.01;  
D10/78, 46, 70, 75, 80; 324/426;  
D3/273; 710/73; D18/7; 361/679, 728,  
361/679.56, 679.55, 679.59; 382/313,  
382/321; 455/575.1, 561, 572, 557, 349,  
455/556.1, 556.2, 90.3; 345/156, 168,  
345/169, 172, 173, 87; 705/17, 18,  
705/22-25; 343/872, 846, 700 MS

CPC ..... G06F 1/626; G06F 1/1626; G06F 1/1656;  
G06F 1/1632; G06F 1/1684; G06F  
1/1635; G06F 8/63; G06F 17/30091;  
G06F 9/4401; G06K 7/10881; G06K  
7/1098; G06K 7/10722; G06K 7/1404;  
G06K 7/0004; G06K 7/10633; G06K  
7/10851; G06K 7/1091; G06K 7/1092;  
G06K 7/1093; G06K 7/10; G06K 7/109;  
G06K 7/1417; G06K 9/228; G06K

17/0022; G06K 17/00; G06K 2207/1011;  
G06K 2207/1013; G06K 2207/1016;  
G06K 2207/1018; G06K 2017/0051;  
G06K 2017/0067; G06K 2007/10524;  
G06K 7/1095; G06K 7/089; G06K  
7/10821; G07G 1/0081; G07G 1/009;  
(Continued)

(56) **References Cited**

U.S. PATENT DOCUMENTS

D299,028 S \* 12/1988 Hermann ..... D10/31  
D299,463 S \* 1/1989 Hermann ..... D10/31  
(Continued)

OTHER PUBLICATIONS

Handheld RFID Reader, IP30, Product Profile, 2015, Honeywell  
International Inc.  
MC3190-Z, Quick Start Guide, Zebra Technologies Corp., 2015.

*Primary Examiner* — Susan Moon Lee

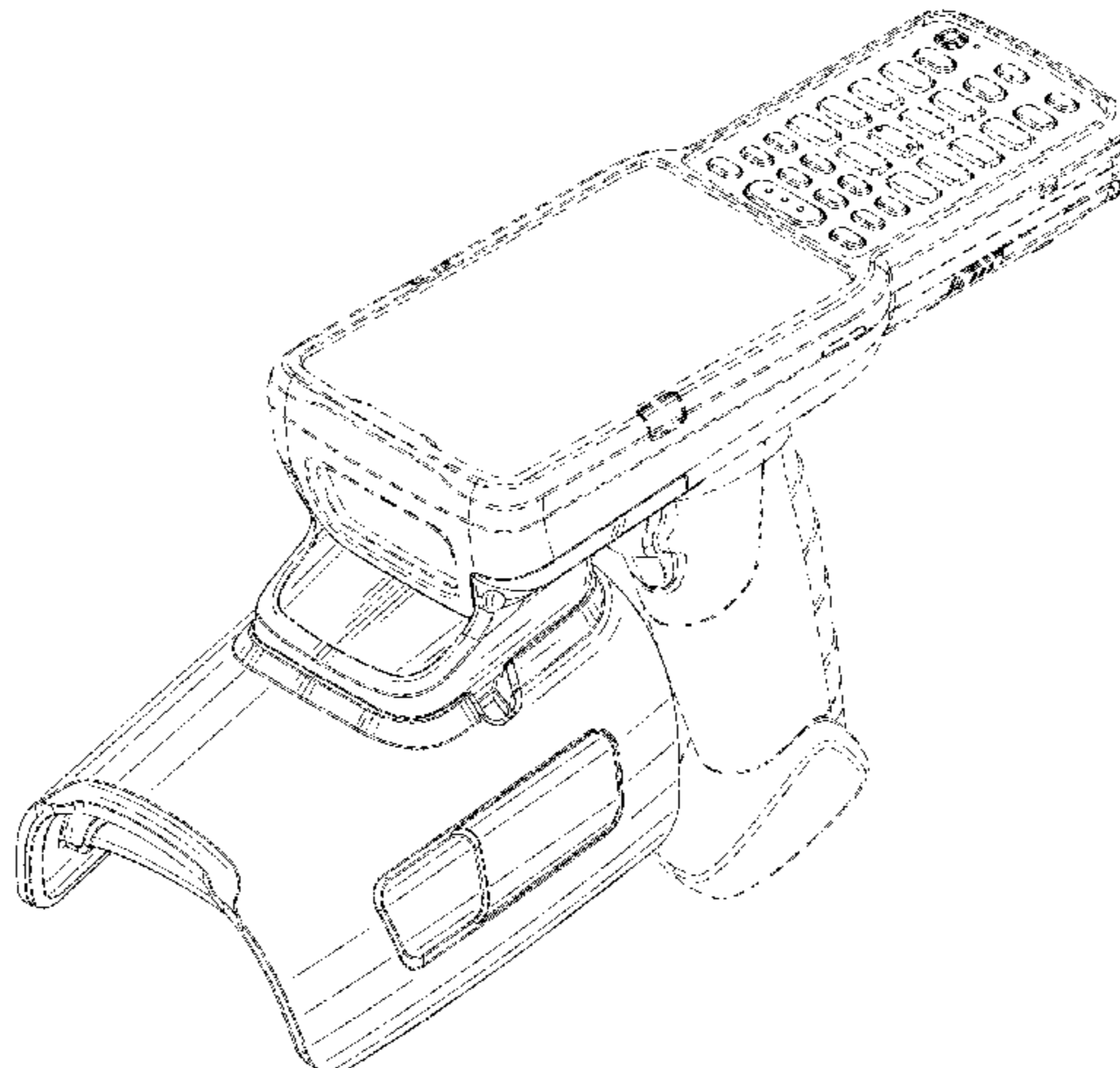
(57) **CLAIM**

We claim the ornamental design for a data capture device, as  
shown and described.

**DESCRIPTION**

FIG. 1 is a rear perspective view of a data capture device;  
FIG. 2 is a bottom perspective view thereof;  
FIG. 3 is a front perspective view thereof;  
FIG. 4 is a first side view thereof;  
FIG. 5 is a second side view thereof;  
FIG. 6 is a top view thereof;  
FIG. 7 is a bottom view thereof;  
FIG. 8 is a front view thereof; and,  
FIG. 9 is a rear view thereof.  
Broken lines and unshaded portions contained within broken  
lines depict portions of the data capture device that form no  
part of the claimed design but are shown for illustrative  
purposes.

**1 Claim, 9 Drawing Sheets**



(58) **Field of Classification Search**

CPC .. G06Q 20/20; G06Q 20/201; G06Q 20/202;  
 G06Q 20/203; G06Q 20/30; G06Q 20/32;  
 G06Q 20/322; G06Q 20/4014; G06Q  
 10/087; H04N 1/00127; H04N 1/00135;  
 H04N 1/00326; H04N 1/00334; H04N  
 1/00307; H04N 1/107; H04N 2201/0084;  
 H04N 2101/00; H04M 1/0249; H04M  
 1/0262; H04M 1/0266; H04M 1/18;  
 H04M 1/23; H04M 1/236; H04B 1/3827;  
 H04B 1/3833; H04B 1/3877; H04B  
 1/3883; H04B 1/3888; H04B 2001/3894;  
 H01M 2/1066; H01Q 1/42; H01Q 1/2216;  
 H01Q 1/20; H01Q 1/22; H01Q 1/2208;  
 H01Q 1/2258; H01Q 1/241; H01Q 1/242;  
 H01Q 1/244; H01Q 1/27; H01Q 1/273;  
 H01Q 9/16; H01Q 9/285; H01Q 19/28;  
 Y10T 29/49016

See application file for complete search history.

(56) **References Cited**

U.S. PATENT DOCUMENTS

D377,345 S \* 1/1997 Karlin ..... 14/2  
 D377,348 S \* 1/1997 Karlin ..... 14/2  
 5,610,386 A \* 3/1997 Ball ..... G06K 7/10891  
 235/412  
 5,610,387 A \* 3/1997 Bard ..... G04B 47/00  
 235/462.44  
 5,808,289 A \* 9/1998 Becker ..... G06K 7/10891  
 235/462.01  
 5,969,327 A \* 10/1999 Metlitsky ..... G06K 7/10564  
 235/462.44  
 D512,427 S 12/2005 Choi et al.  
 D539,294 S 3/2007 Croley et al.

D540,333 S 4/2007 Croley et al.  
 D544,485 S \* 6/2007 Chen ..... D14/428  
 D554,641 S \* 11/2007 Miller ..... D14/427  
 D558,768 S 1/2008 Jenkins et al.  
 D654,597 S \* 2/2012 Hiramura ..... D24/186  
 9,444,145 B2 9/2016 Chan  
 9,692,114 B2 6/2017 Zhao et al.  
 D832,844 S \* 11/2018 Lim ..... D14/427  
 D833,438 S \* 11/2018 Lim ..... D14/427  
 D840,377 S \* 2/2019 Jin ..... D14/217  
 D865,773 S \* 11/2019 Oberpriller ..... D14/453  
 10,509,927 B2 \* 12/2019 Dagdelen Uysal .....  
 G06K 7/10128  
 2008/0054039 A1 \* 3/2008 Wulff ..... A45F 5/00  
 224/575  
 2008/0078837 A1 \* 4/2008 Morris ..... G06K 7/10881  
 235/462.44  
 2008/0078838 A1 \* 4/2008 Morris ..... G06K 7/10881  
 235/462.44  
 2008/0197195 A1 \* 8/2008 Miller ..... G06Q 10/087  
 235/440  
 2009/0266898 A1 \* 10/2009 Miller ..... G06K 7/0004  
 235/472.01  
 2009/0312053 A1 \* 12/2009 An ..... G06K 7/10326  
 455/556.2  
 2010/0170952 A1 \* 7/2010 Mangaroo ..... G06K 7/10881  
 235/462.45  
 2010/0176166 A1 \* 7/2010 Siagri ..... A44C 5/0007  
 224/271  
 2012/0187192 A1 \* 7/2012 Lee ..... G06K 7/10891  
 235/462.44  
 2012/0228384 A1 \* 9/2012 Boyd ..... G06K 7/10  
 235/472.01  
 2013/0154809 A1 \* 6/2013 Subramanian ..... G01S 13/878  
 340/10.42  
 2016/0227912 A1 \* 8/2016 Oberpriller ..... A45F 5/00  
 2018/0167549 A1 \* 6/2018 Lim ..... H04N 5/2252  
 2018/0225489 A1 \* 8/2018 Liou ..... G06K 7/10544

\* cited by examiner

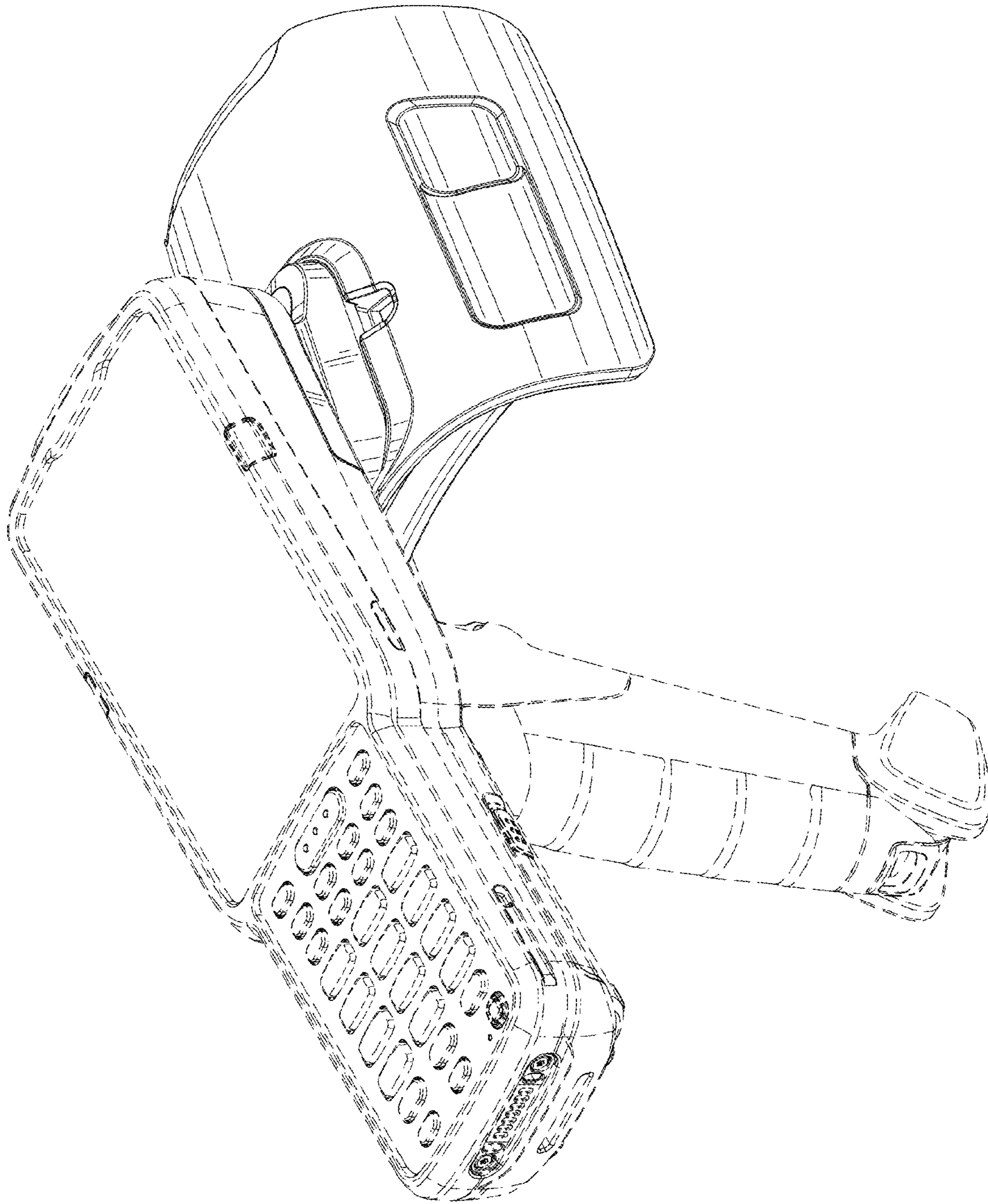


FIG. 1

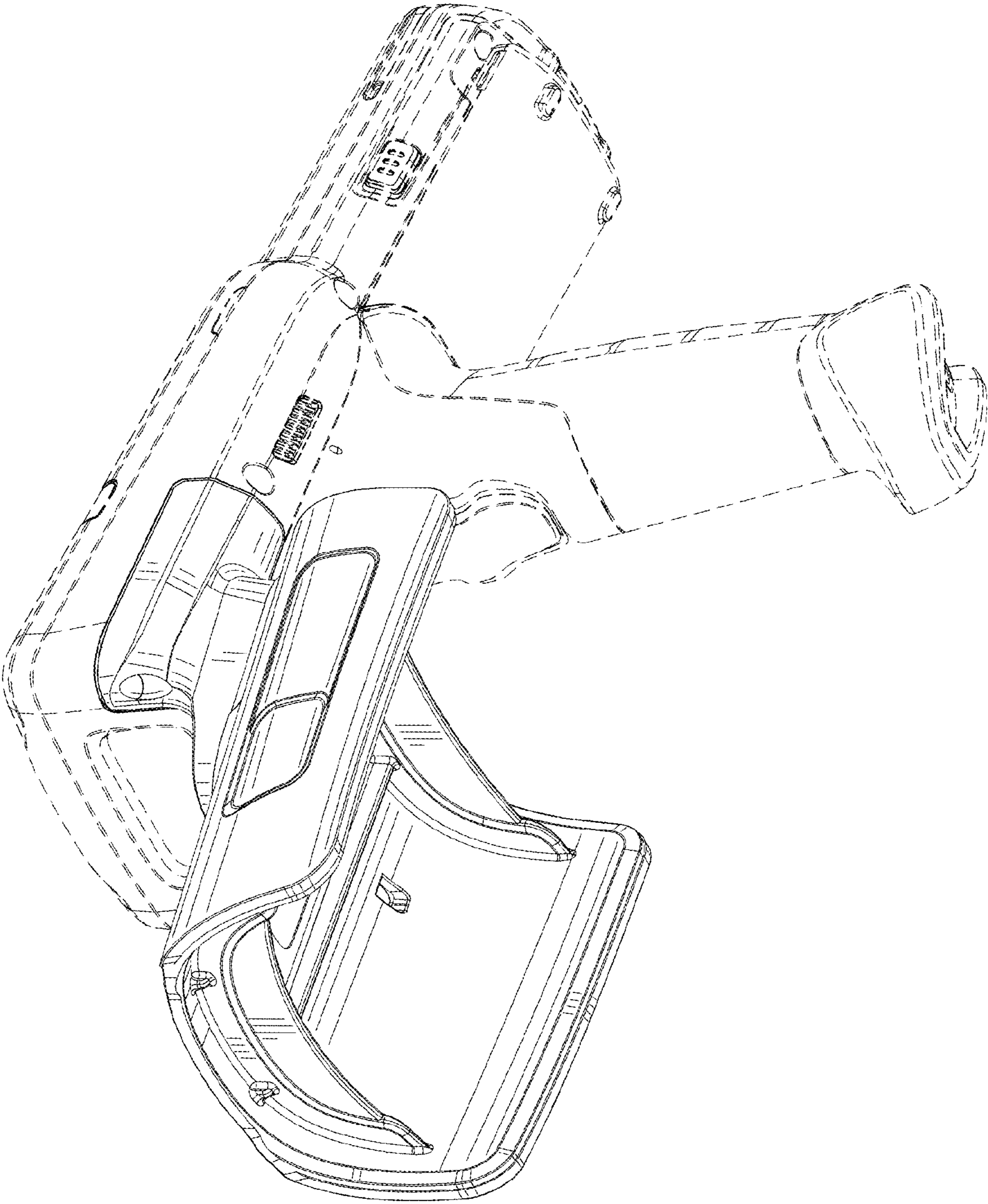


FIG. 2

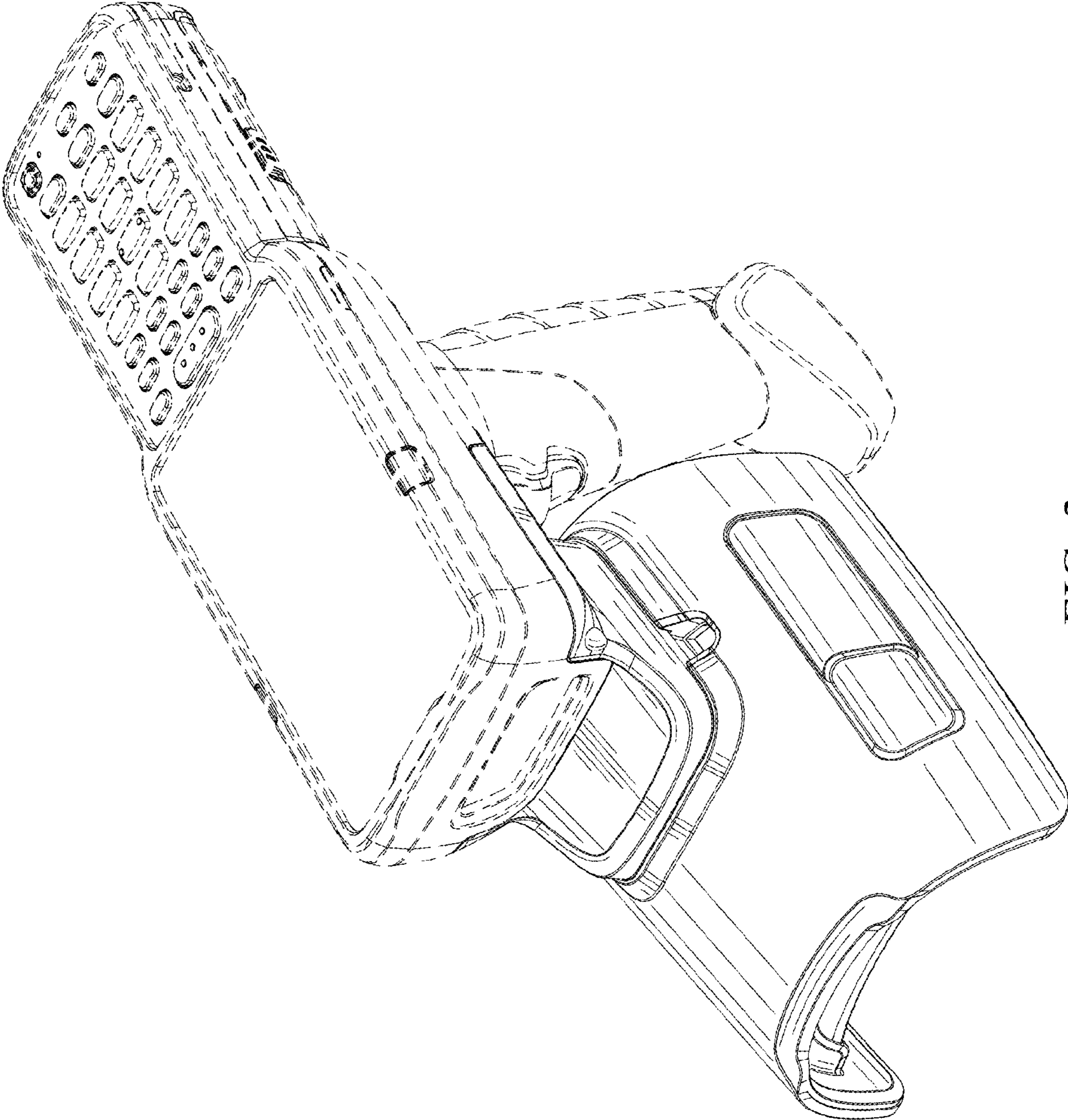


FIG. 3

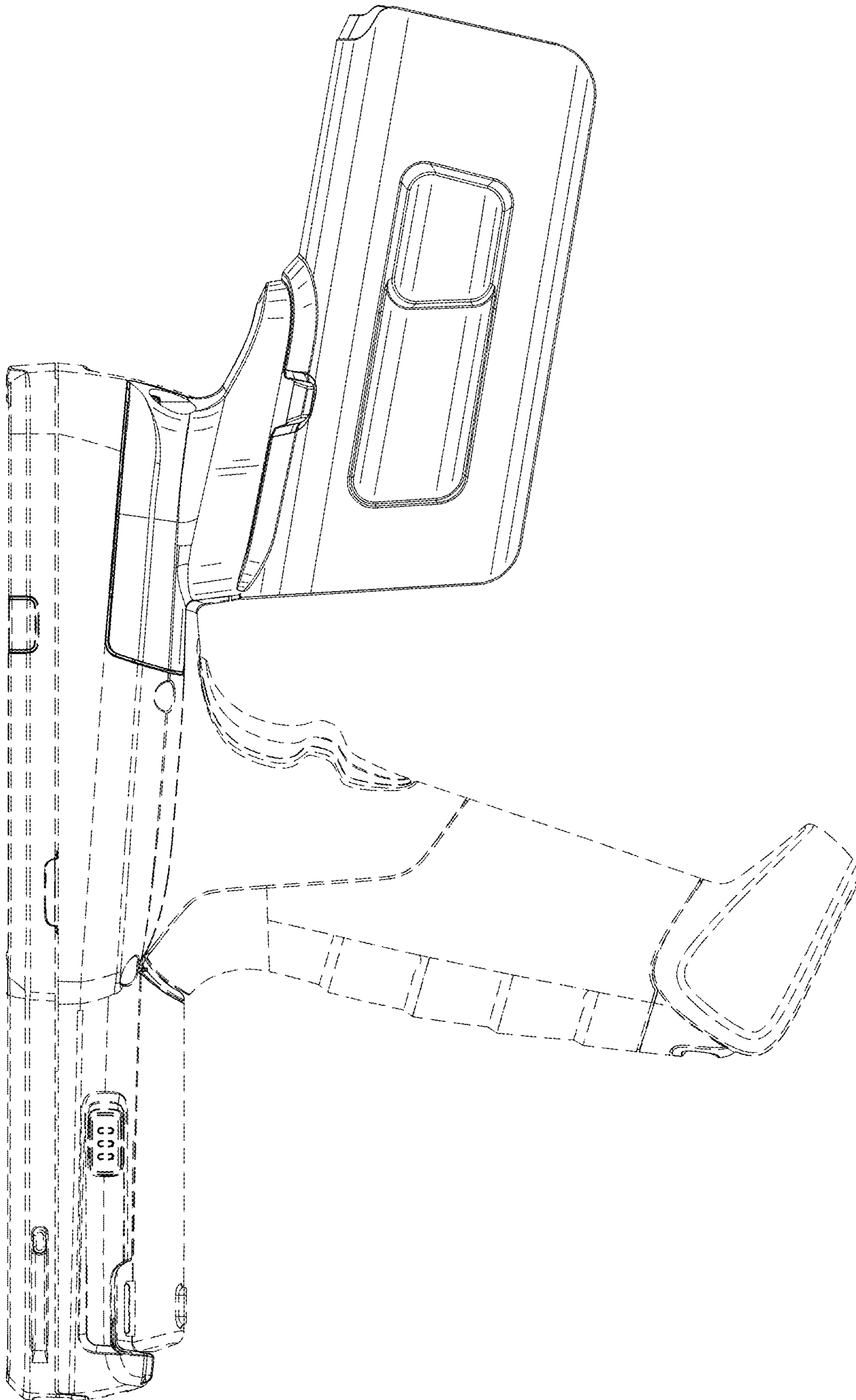


FIG. 4

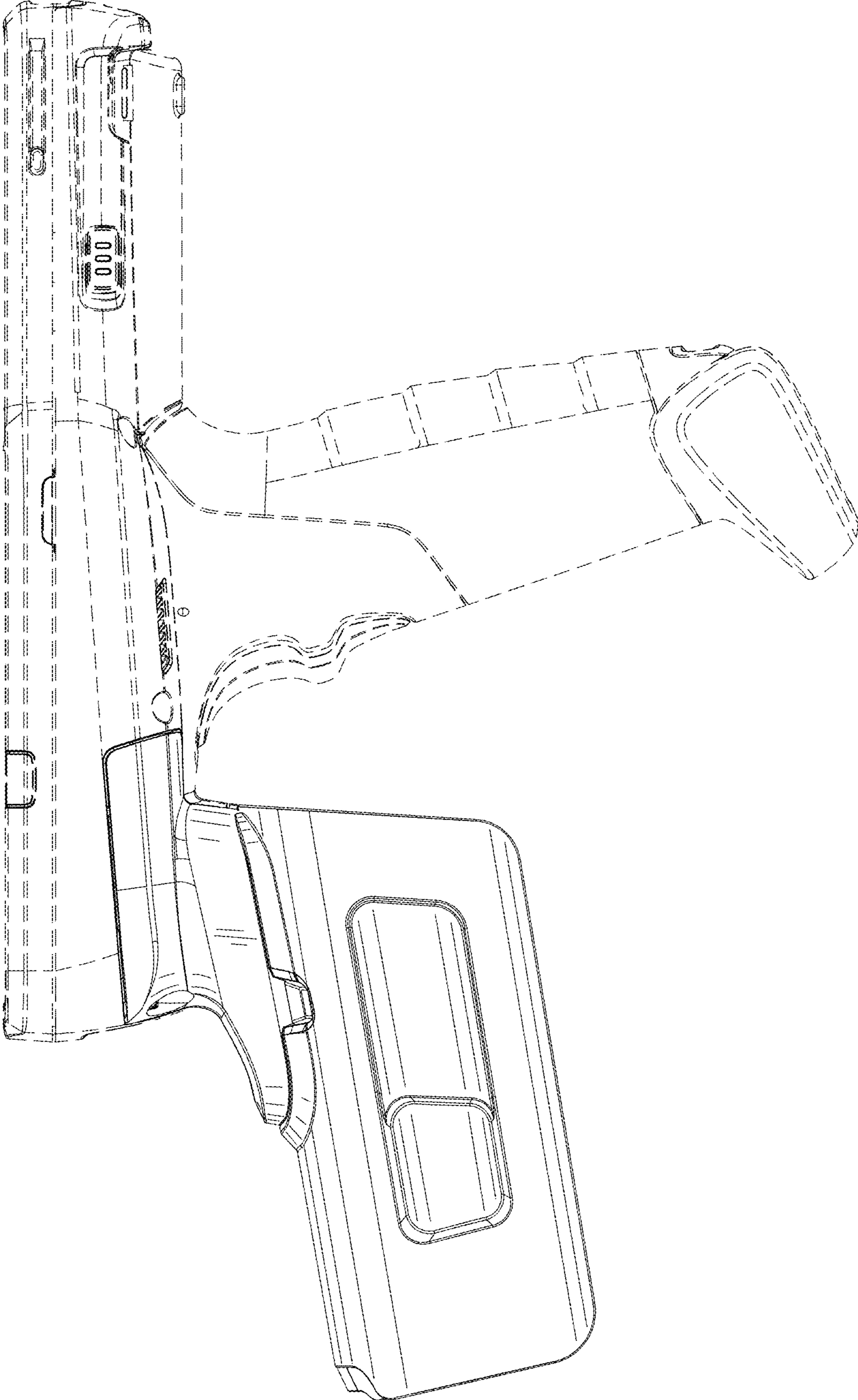


FIG. 5

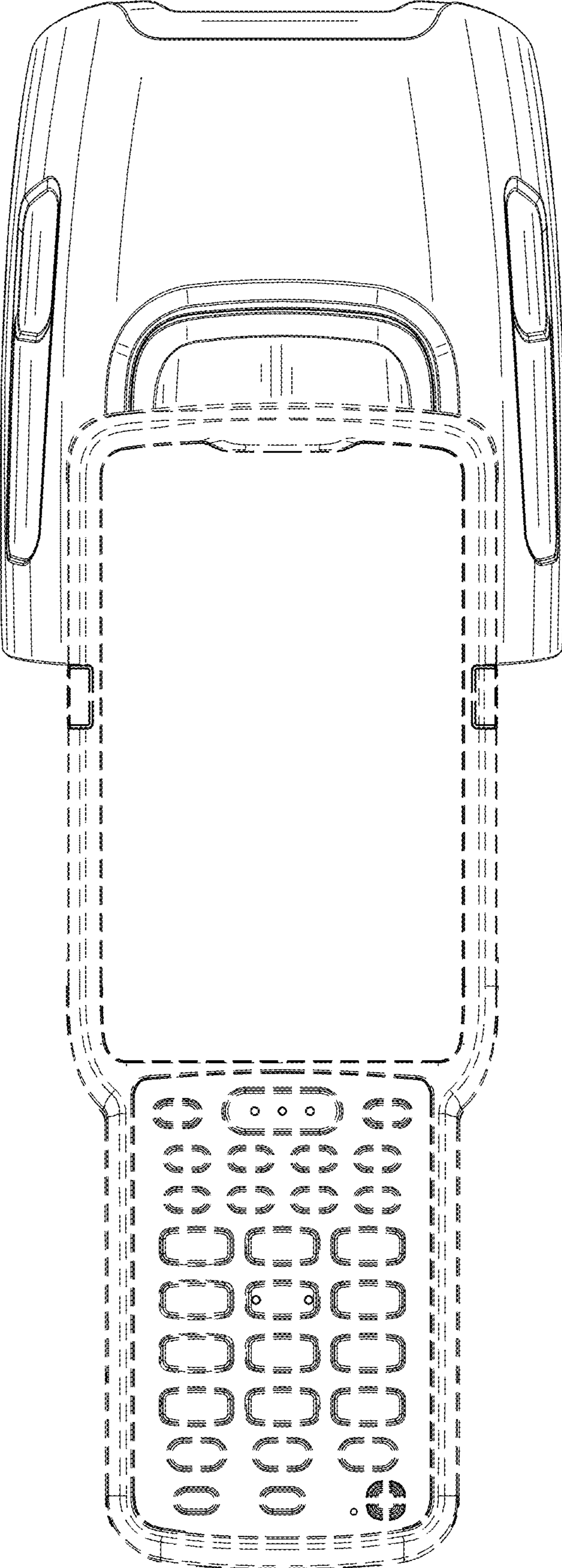


FIG. 6



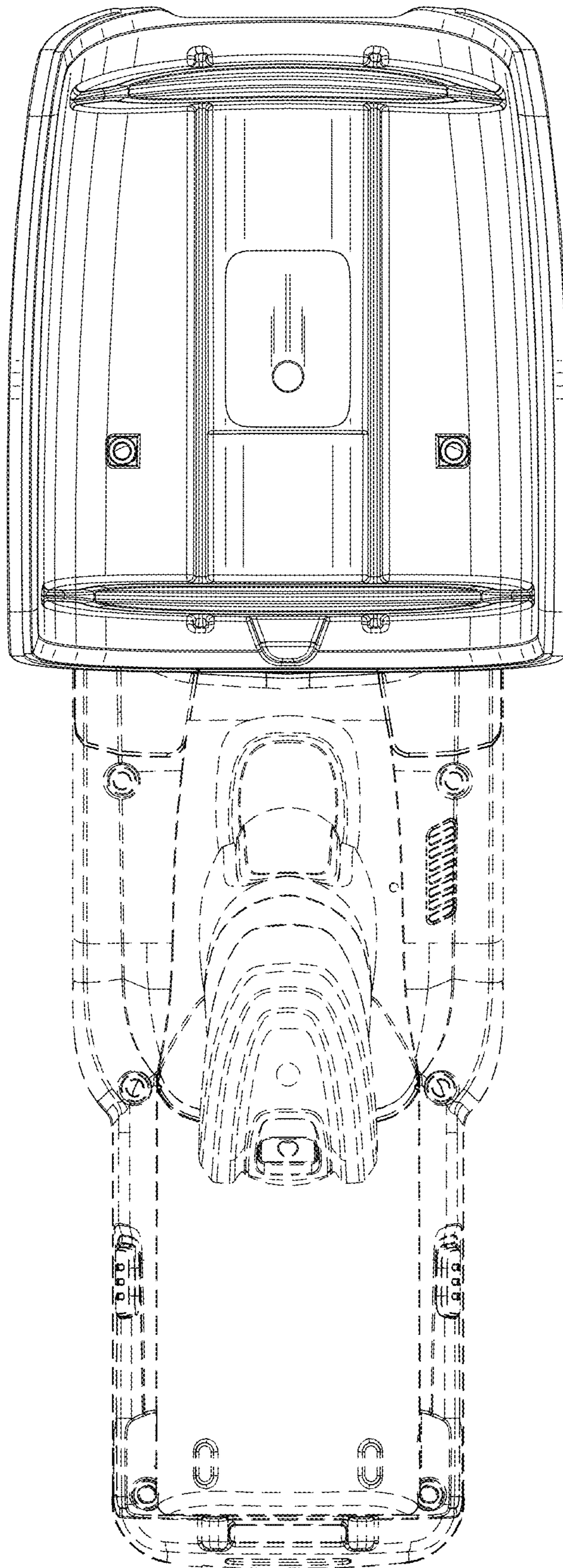


FIG. 7

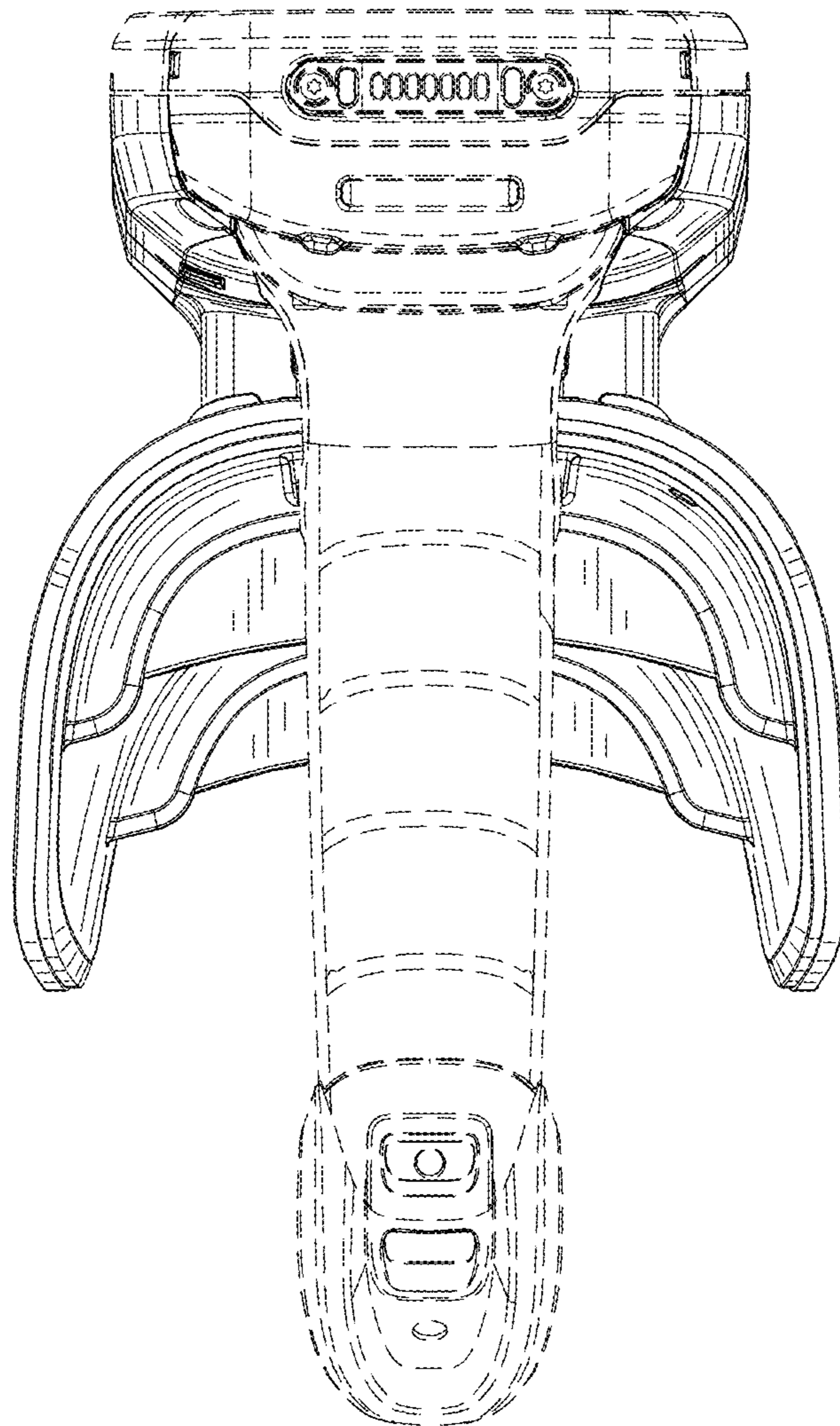


FIG. 8

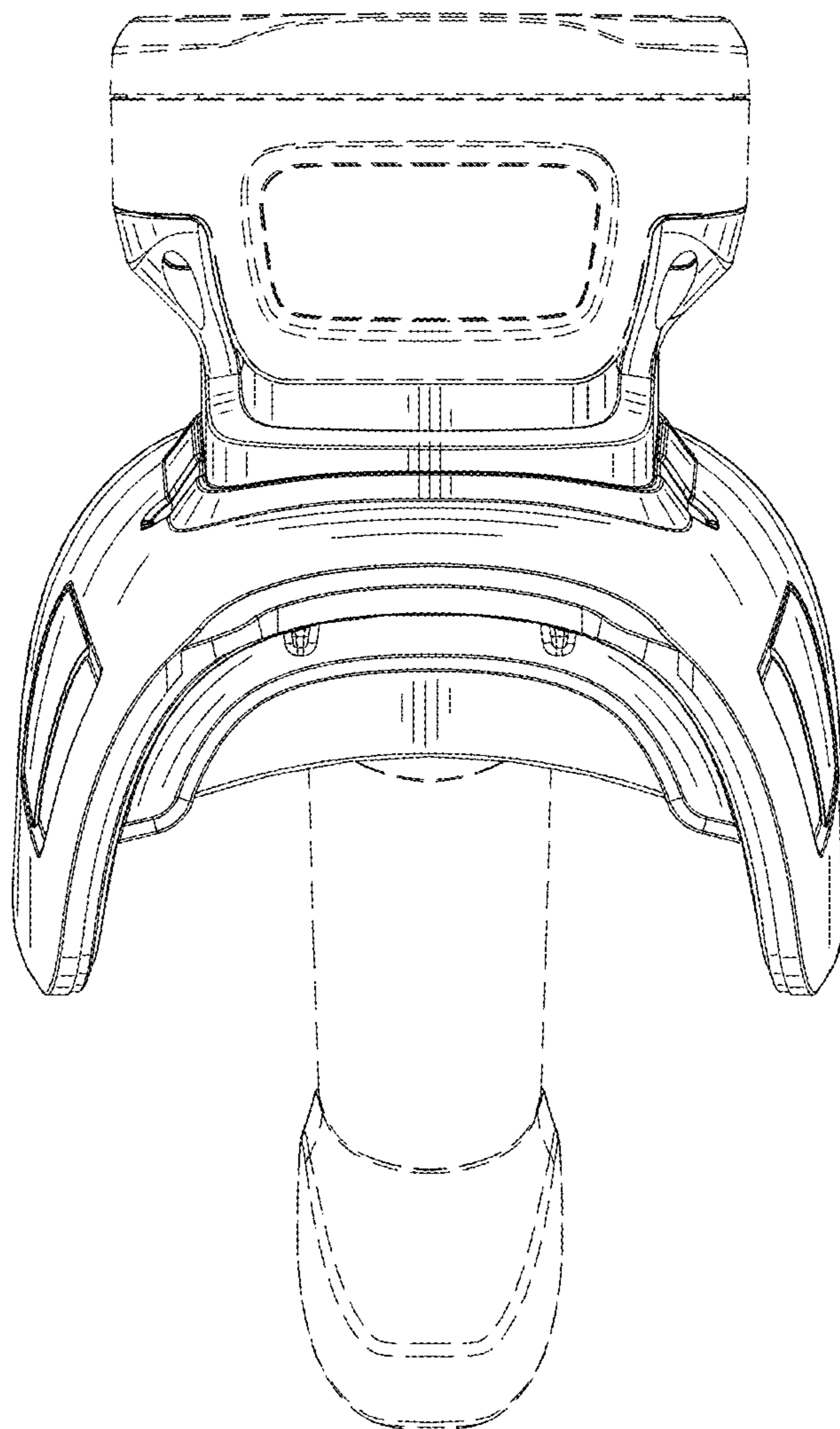


FIG. 9