



US00D883286S

(12) **United States Design Patent** (10) **Patent No.:** **US D883,286 S**
Sieckowski et al. (45) **Date of Patent:** **** May 5, 2020**

(54) **DATA CAPTURE DEVICE**

(71) Applicant: **SYMBOL TECHNOLOGIES, LLC**,
Lincolnshire, IL (US)

(72) Inventors: **Steven D. Sieckowski**, Port Jefferson,
NY (US); **Roland Wing Fai Lee**,
Jericho, NY (US)

(73) Assignee: **Symbol Technologies, LLC**, Holtsville,
NY (US)

(**) Term: **15 Years**

(21) Appl. No.: **29/636,153**

(22) Filed: **Feb. 6, 2018**

(51) **LOC (12) Cl.** **14-02**

(52) **U.S. Cl.**
USPC **D14/428**

(58) **Field of Classification Search**

USPC D14/420, 426-430, 453, 346, 341, 347,
D14/412, 138 R, 138 AA, 138 C;
D13/107, 184; 358/473; 235/462.43,
235/462.45, 462.47, 462.48, 462.44,
235/462.46, 487, 472.01, 472.02, 145 A,
235/145 R, 385, 440, 383, 454, 462.01;
D10/78, 46, 70, 75, 80; 324/426;
D3/273; 710/73; D18/7; 361/679, 728,
361/679.56, 679.55, 679.59; 382/313,
382/321; 455/575.1, 561, 572, 557, 349,
455/556.1, 556.2, 90.3; 345/156, 168,
345/169, 172, 173, 87; 705/17, 18,
705/22-25; 343/872, 846, 700 MS
CPC G06F 1/626; G06F 1/1626; G06F 1/1656;
G06F 1/1632; G06F 1/1684; G06F
1/1635; G06F 8/63; G06F 17/30091;
G06F 9/4401; G06K 7/10881; G06K
7/1098; G06K 7/10722; G06K 7/1404;
G06K 7/0004; G06K 7/10633; G06K
7/10851; G06K 7/1091; G06K 7/1092;
G06K 7/1093; G06K 7/10; G06K 7/109;
G06K 7/1417; G06K 7/10386; G06K
7/10079; G06K 7/10891; G06K 7/1097;

G06K 7/10366; G06K 7/10425; G06K
7/10376; G06K 7/10396; G06K 7/015;
G06K 7/10316; G06K 9/228; G06K
17/0022; G06K 17/00; G06K 2207/1011;
G06K 2207/1013; G06K

(Continued)

(56) **References Cited**

U.S. PATENT DOCUMENTS

D512,427 S 12/2005 Choi et al.
7,161,470 B2* 1/2007 Berquist G06K 7/10079
340/10.31

(Continued)

OTHER PUBLICATIONS

Handheld RFID Reader, IP30, Product Profile, 2015, Honeywell
International Inc.
MC3190-Z, Quick Start Guide, Zebra Technologies Corp., 2015.

Primary Examiner — Susan Moon Lee

(57) **CLAIM**

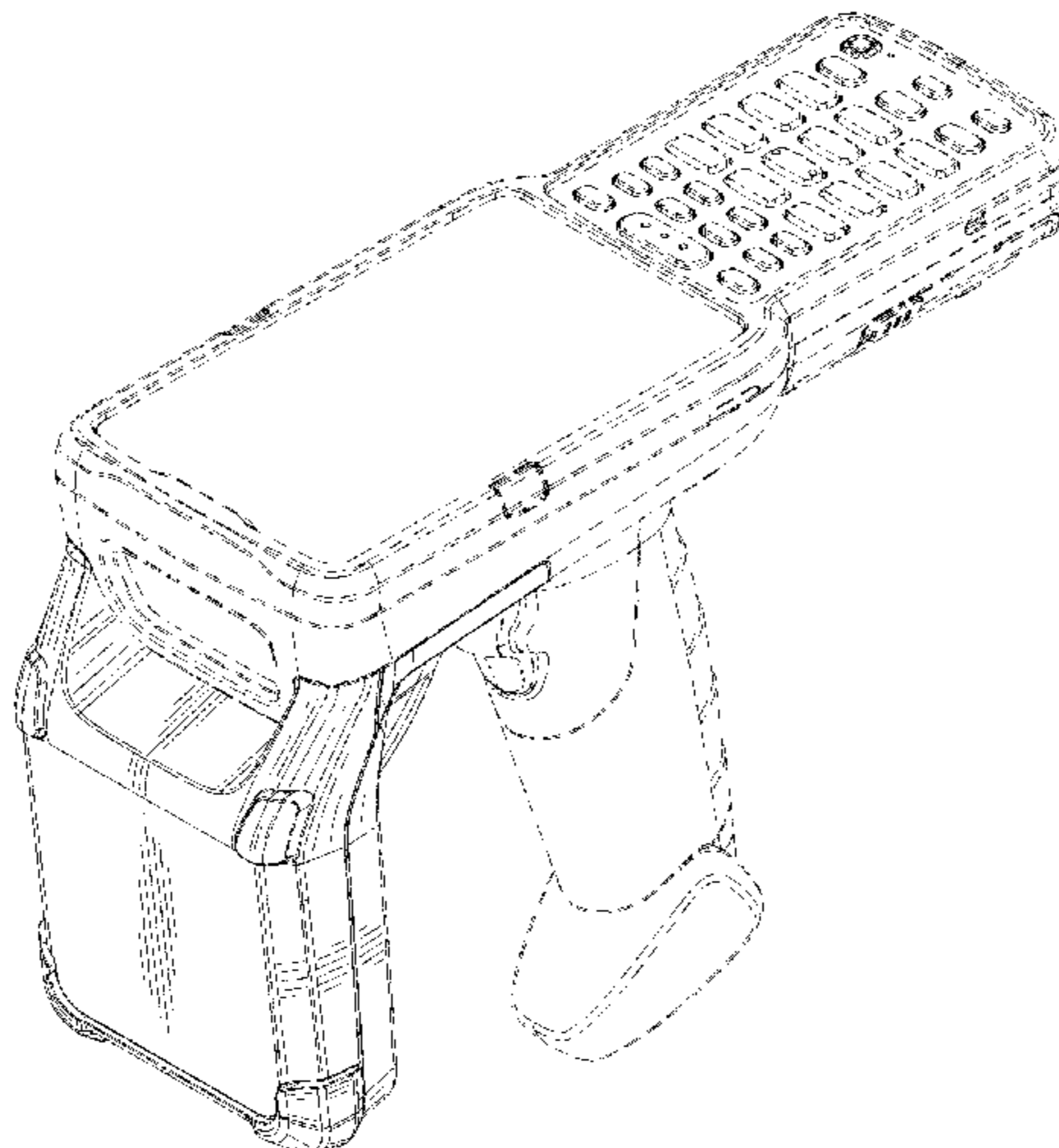
We claim the ornamental design for a data capture device, as
shown and described.

DESCRIPTION

FIG. 1 is a rear perspective view of a data capture device;
FIG. 2 is a bottom perspective view thereof;
FIG. 3 is a front perspective view thereof;
FIG. 4 is a first side view thereof;
FIG. 5 is a second side view thereof;
FIG. 6 is a top view thereof;
FIG. 7 is a bottom view thereof;
FIG. 8 is a front view thereof; and,
FIG. 9 is a rear view thereof.

Broken lines and unshaded portions contained within broken
lines depict portions of the data capture device that form no
part of the claimed design but are shown for illustrative
purposes.

1 Claim, 9 Drawing Sheets



(58) **Field of Classification Search**

CPC 2207/1016; G06K 2207/1018; G06K
 2017/0051; G06K 2017/0067; G06K
 2007/10524; G06K 2007/10534; G06K
 2007/10544; G06K 19/0723; G06K
 7/1095; G06K 7/089; G06K 7/10821;
 G07G 1/0081; G07G 1/009; G06Q 20/20;
 G06Q 20/201; G06Q 20/202; G06Q
 20/203; G06Q 20/30; G06Q 20/32; G06Q
 20/322; G06Q 20/4014; G06Q 10/087;
 H04N 1/00127; H04N 1/00135; H04N
 1/00326; H04N 1/00334; H04N 1/00307;
 H04N 1/107; H04N 2201/0084; H04N
 2101/00; H04M 1/0249; H04M 1/0262;
 H04M 1/0266; H04M 1/18; H04M 1/23;
 H04M 1/236; H04B 1/3827; H04B
 1/3833; H04B 1/3877; H04B 1/3883;
 H04B 1/3888; H04B 2001/3894; H01M
 2/1066; H01Q 1/42; H01Q 1/2216; H01Q
 1/20; H01Q 1/22; H01Q 1/2208; H01Q
 1/2258; H01Q 1/241; H01Q 1/242; H01Q
 1/244; H01Q 1/27; H01Q 1/273; H01Q
 9/16; H01Q 9/285; H01Q 19/28; Y10T
 29/49016

See application file for complete search history.

(56) **References Cited**

U.S. PATENT DOCUMENTS

D539,294 S 3/2007 Croley et al.
 D540,333 S 4/2007 Croley et al.
 D558,768 S 1/2008 Jenkins et al.

D583,822 S * 12/2008 Matsumoto D14/426
 D613,296 S * 4/2010 Hattori D14/426
 D692,004 S * 10/2013 Man D14/426
 D719,955 S * 12/2014 Hsu D14/428
 9,444,145 B2 9/2016 Chan
 9,619,683 B2 * 4/2017 Zumsteg G06K 7/10366
 9,692,114 B2 6/2017 Zhao et al.
 D808,391 S * 1/2018 Schooneveldt D14/426
 D851,653 S * 6/2019 Huang D14/453
 2009/0090780 A1 * 4/2009 Clark G07G 1/0081
 235/462.01
 2009/0289116 A1 * 11/2009 Copeland G06K 7/0004
 235/440
 2009/0295567 A1 * 12/2009 Bellows H01Q 1/2216
 340/539.11
 2009/0312053 A1 * 12/2009 An G06K 7/10326
 455/556.2
 2010/0123562 A1 * 5/2010 Hiramatu G06Q 10/087
 340/10.6
 2010/0170952 A1 * 7/2010 Mangaroo G06K 7/10881
 235/462.45
 2012/0228384 A1 * 9/2012 Boyd G06K 7/10
 235/472.01
 2013/0154809 A1 * 6/2013 Subramanian G01S 13/878
 340/10.42
 2015/0063795 A1 * 3/2015 Orton F16M 11/00
 396/425
 2015/0255873 A1 * 9/2015 Chan H01Q 9/285
 343/806
 2016/0034724 A1 * 2/2016 Zumsteg G06K 7/10386
 235/439
 2017/0069185 A1 * 3/2017 Bergman G08B 13/248
 2018/0173911 A1 * 6/2018 Murofushi G06K 7/10009
 2019/0012493 A1 * 1/2019 Nikitin H04B 1/006
 2019/0278958 A1 * 9/2019 Ioki G06K 7/10198

* cited by examiner

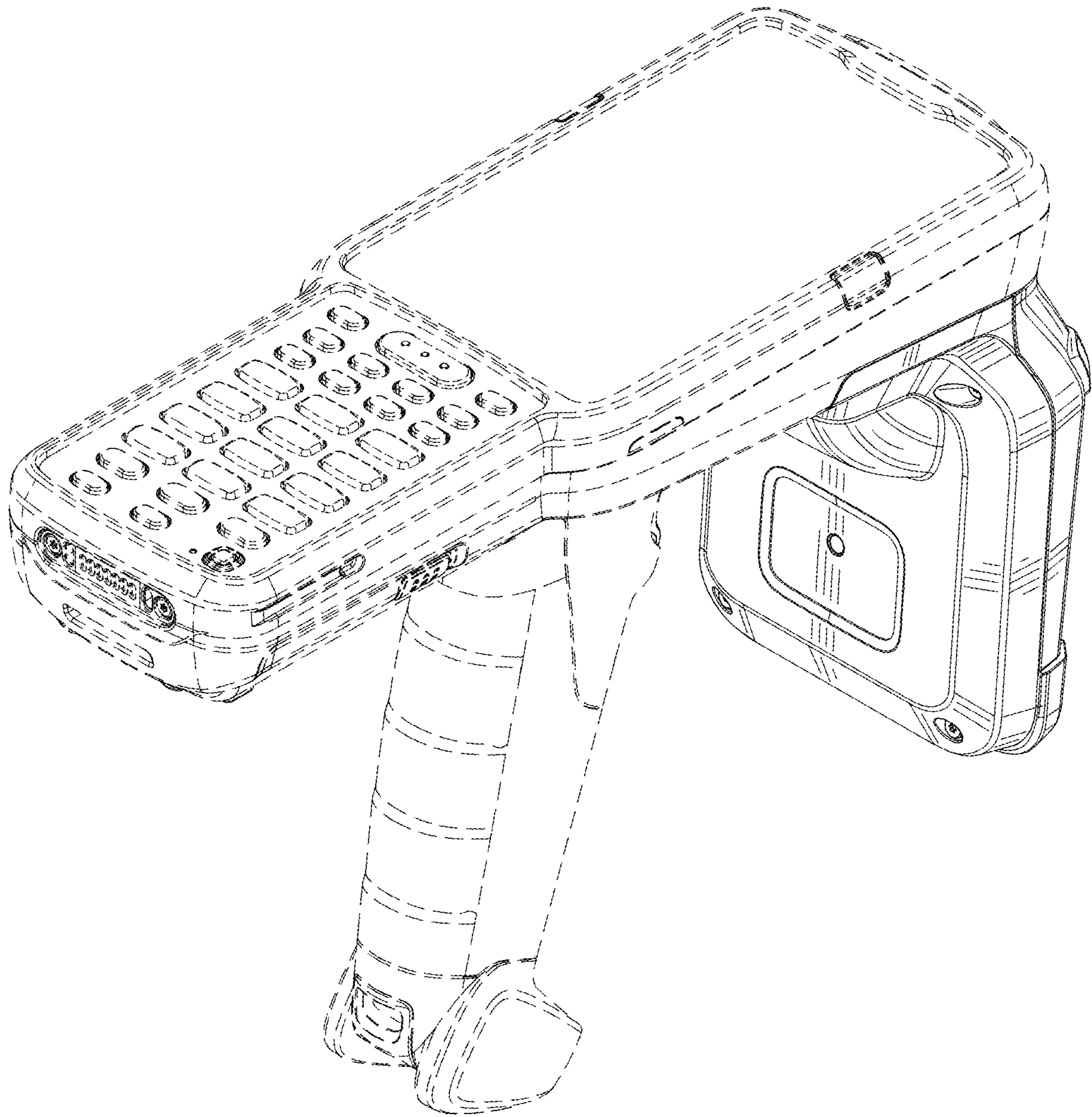


FIG. 1

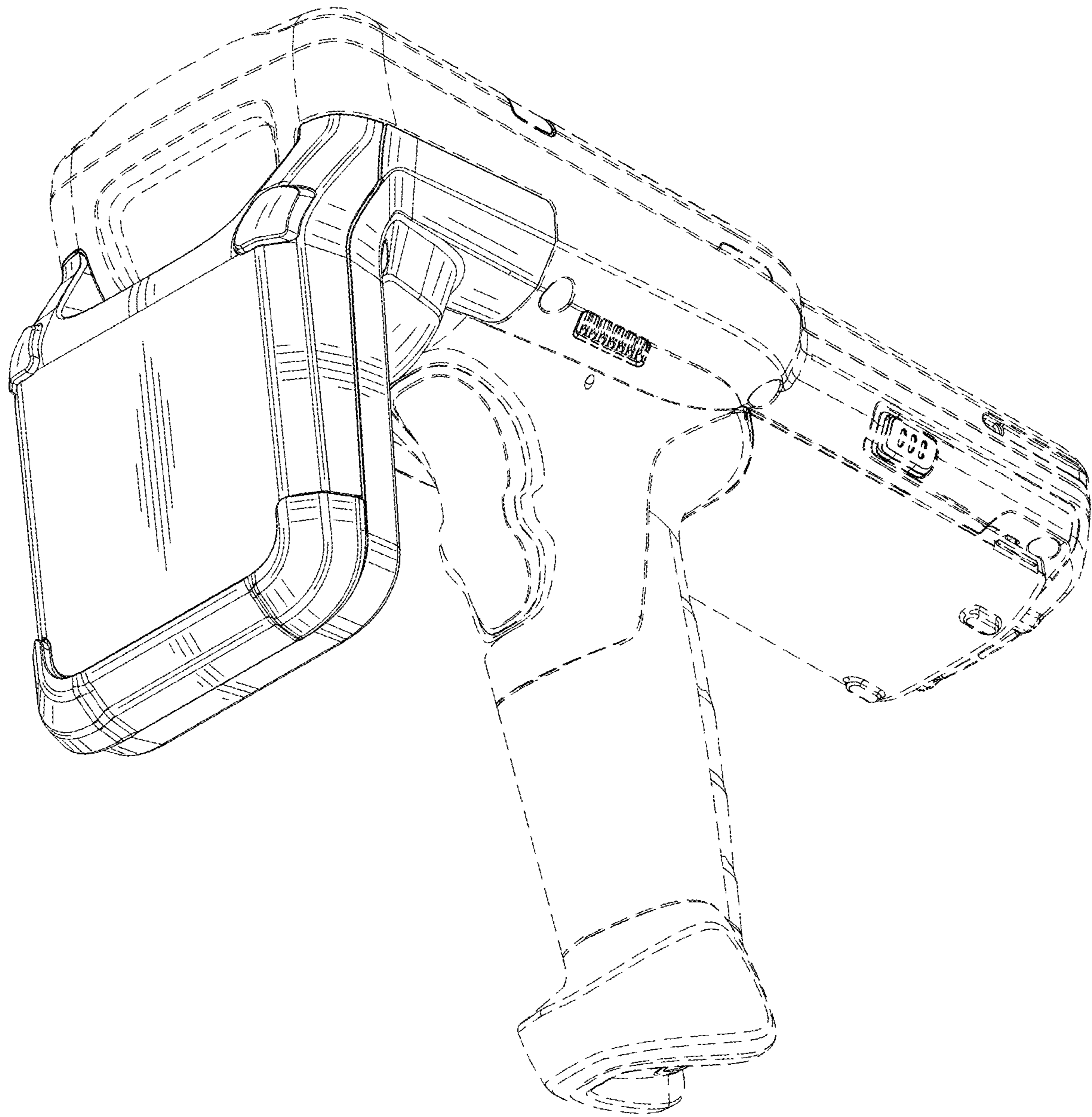


FIG. 2

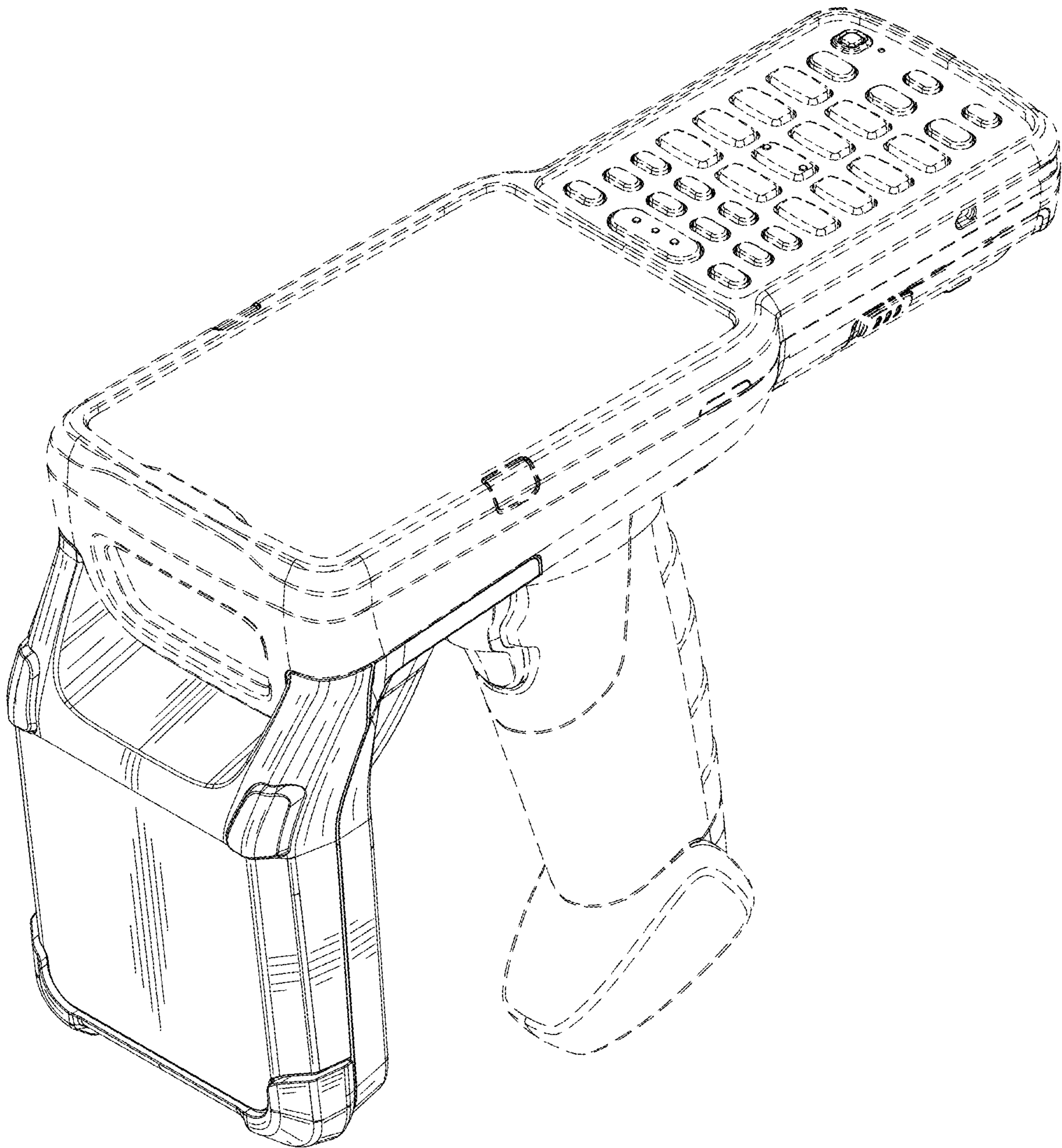


FIG. 3

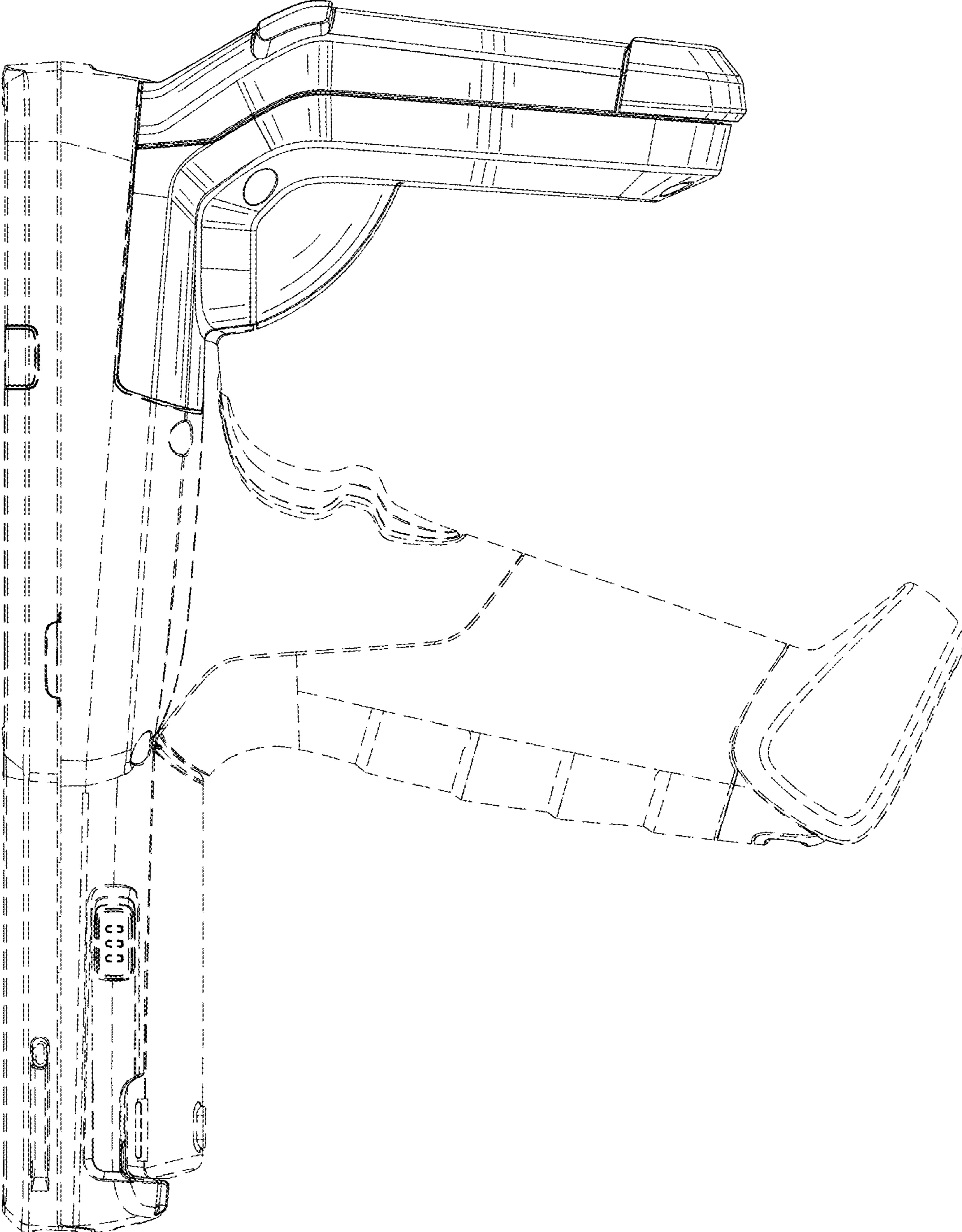


FIG. 4

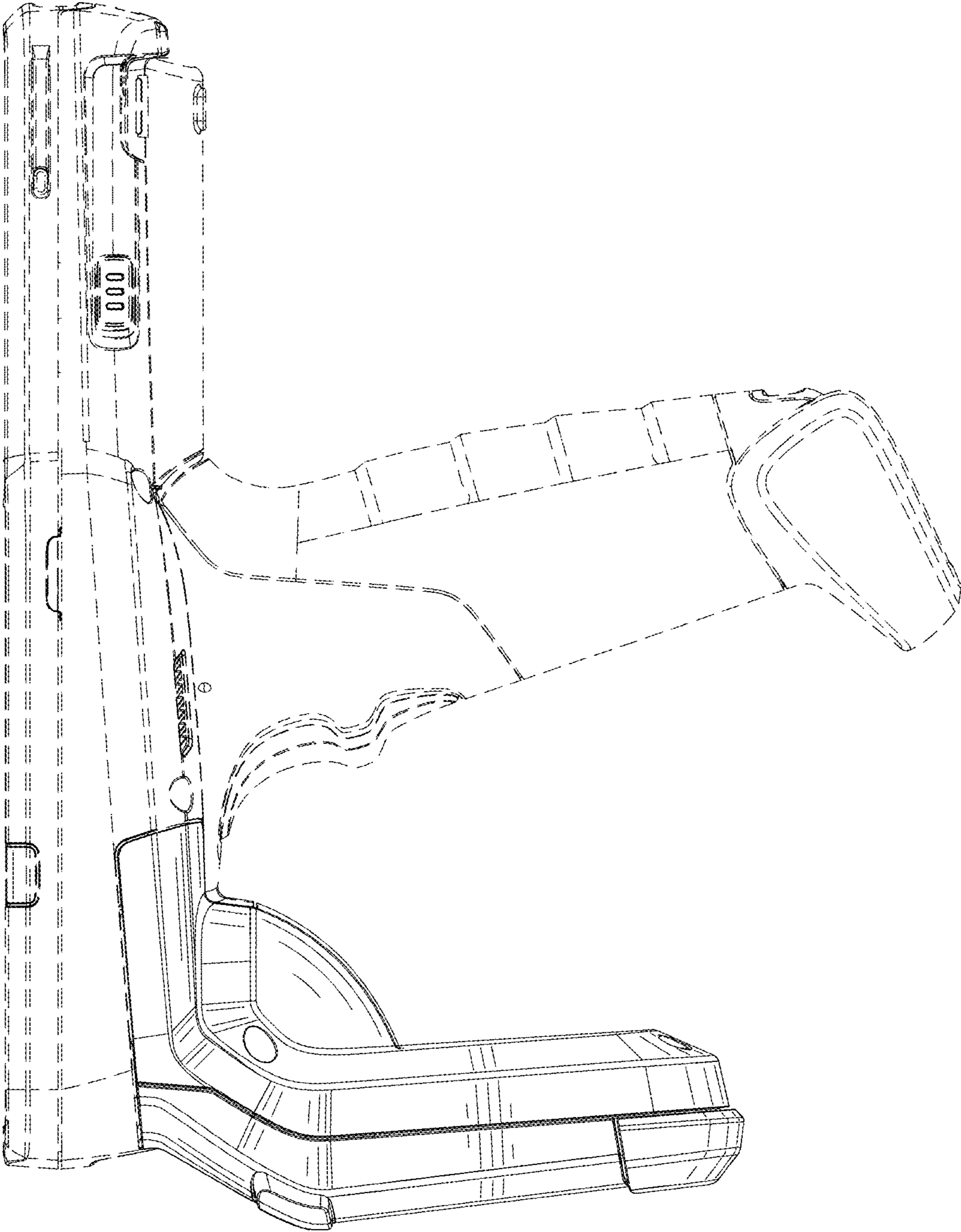


FIG. 5

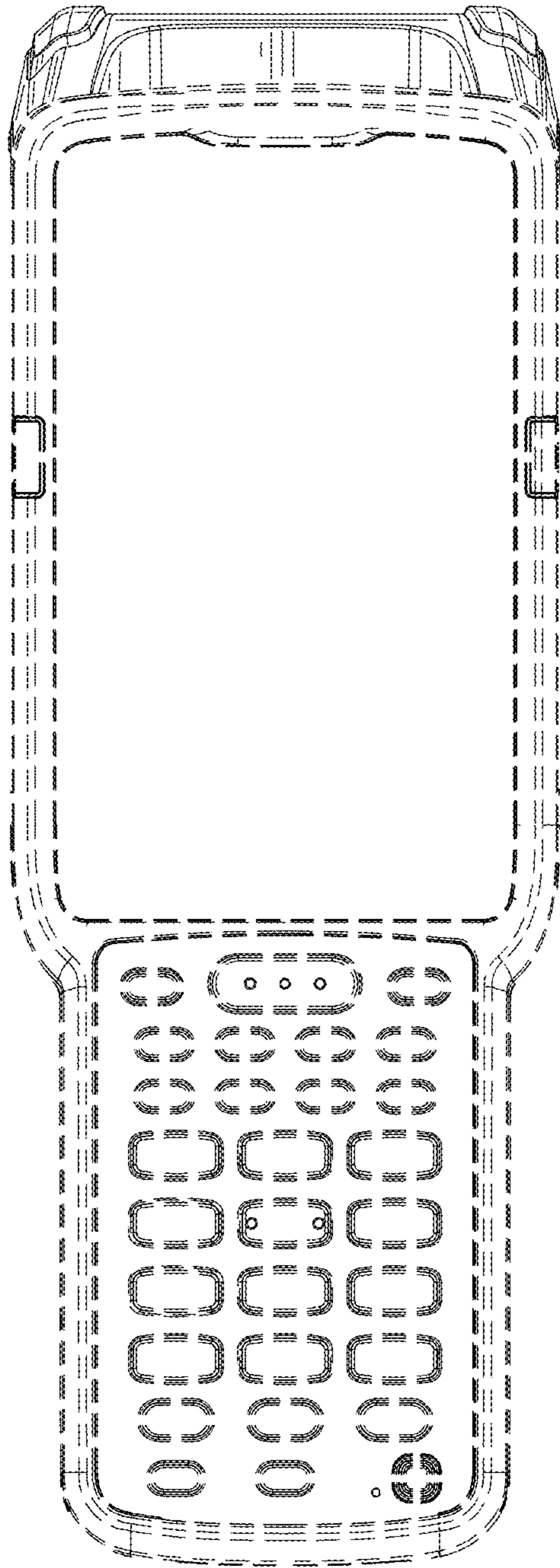


FIG. 6

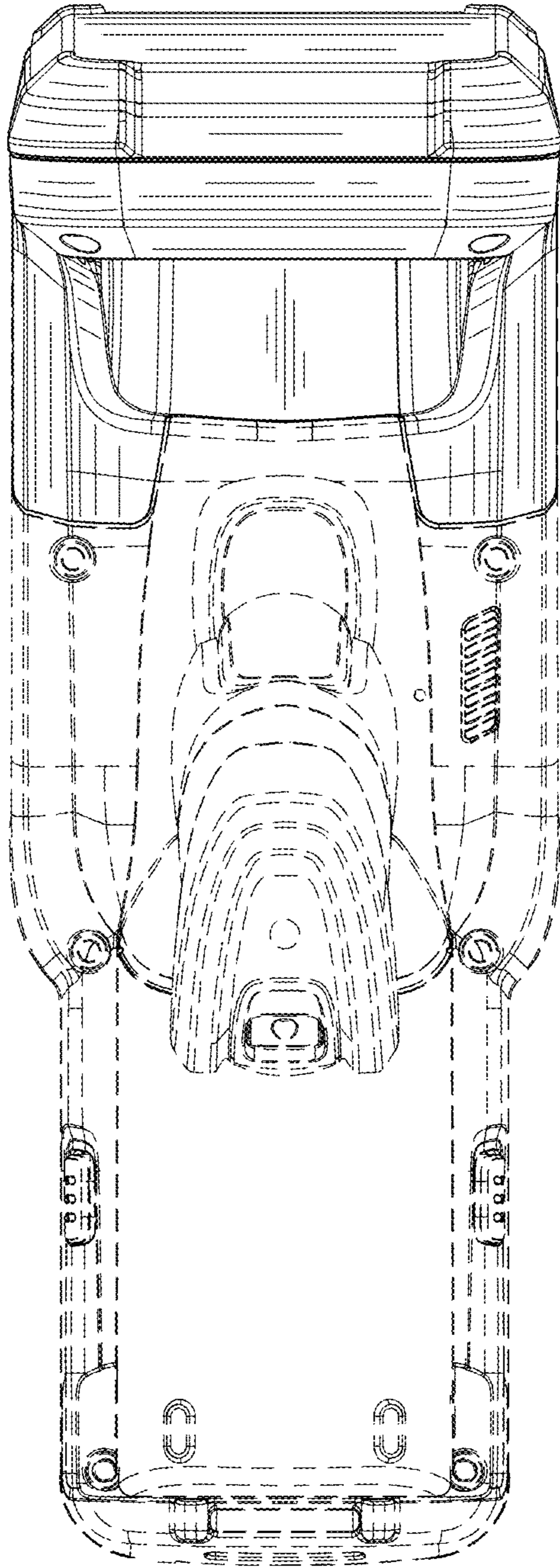


FIG. 7

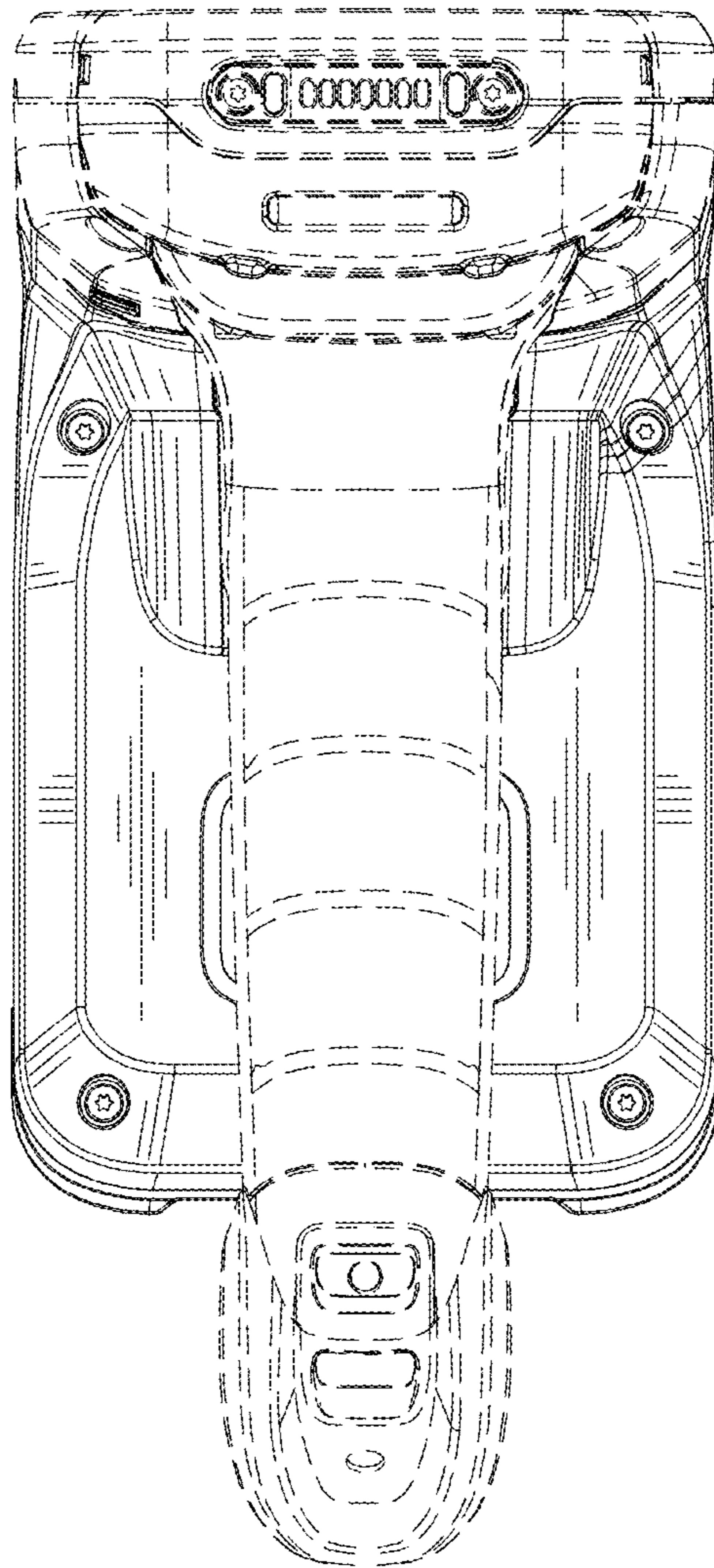


FIG. 8

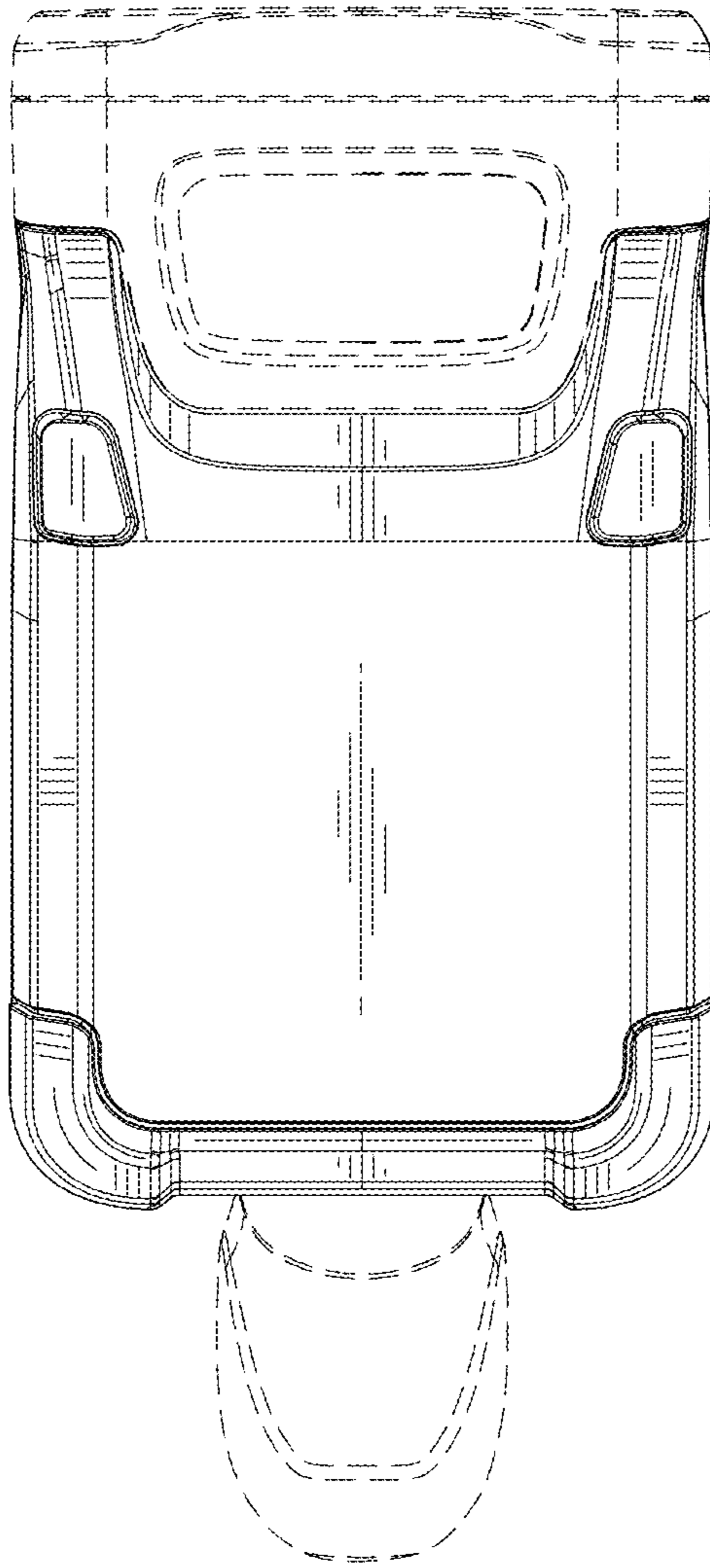


FIG. 9