



US00D883284S

(12) **United States Design Patent**
Park et al.

(10) **Patent No.:** **US D883,284 S**

(45) **Date of Patent:** **** May 5, 2020**

(54) **PORTABLE WIRELESS KEYBOARD**

(71) Applicant: **LG ELECTRONICS INC.**, Seoul (KR)

(72) Inventors: **Soonhyun Park**, Seoul (KR);
Dongsoon Kim, Seoul (KR); **Yooshin Ahn**, Seoul (KR)

(73) Assignee: **LG Electronics Inc.**, Seoul (KR)

(**) Term: **15 Years**

(21) Appl. No.: **35/505,572**

(22) Filed: **Jan. 17, 2018**

(80) **Hague Agreement Data**

Int. Filing Date: **Jan. 17, 2018**

Int. Reg. No.: **DM/102440**

Int. Reg. Date: **Jan. 17, 2018**

Int. Reg. Pub. Date: **Aug. 31, 2018**

(30) **Foreign Application Priority Data**

Jul. 19, 2017 (KR) 30-2017-0033373

(51) **LOC (12) Cl.** **14-02**

(52) **U.S. Cl.**
USPC **D14/392**

(58) **Field of Classification Search**
USPC D14/250, 392, 395, 440, 447
CPC ... G06F 1/1628; G06F 1/1626; A47B 23/044;
H04B 1/3888
See application file for complete search history.

(56) **References Cited**

U.S. PATENT DOCUMENTS

D806,087 S * 12/2017 Sharma G06F 1/1669
D14/455
D807,365 S * 1/2018 Liu D14/440
D807,885 S * 1/2018 Pang D14/392
D807,889 S * 1/2018 Kim D14/440

(Continued)

Primary Examiner — Melanie H Tung
Assistant Examiner — Bao-Yen T Nguyen

(74) *Attorney, Agent, or Firm* — Birch, Stewart, Kolasch & Birch, LLP

(57) **CLAIM**

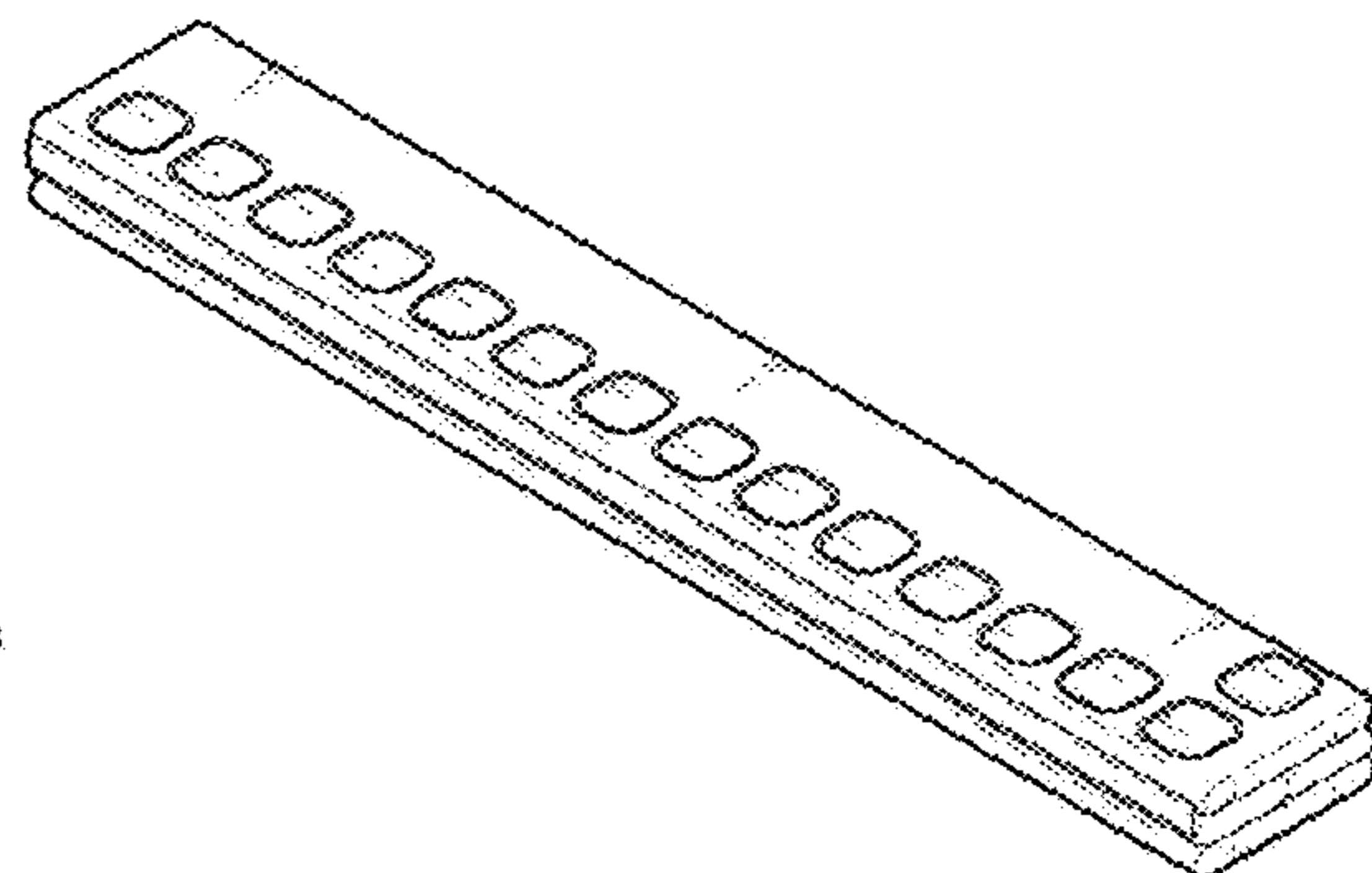
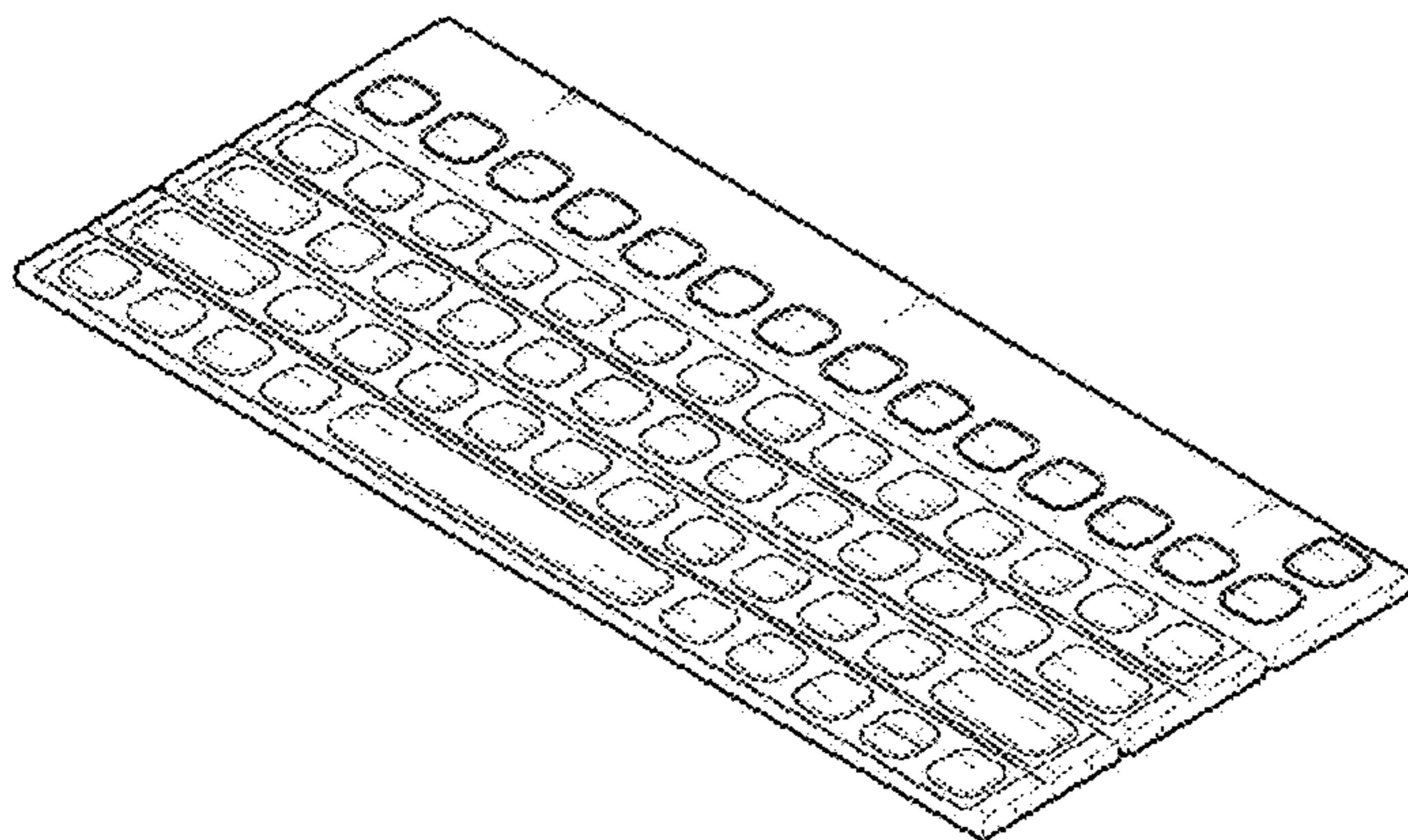
The ornamental design for a portable wireless keyboard, as shown and described.

DESCRIPTION

- 1. Portable wireless keyboard
- 1.1 : Perspective
- 1.2 : Front
- 1.3 : Back
- 1.4 : Left
- 1.5 : Top
- 1.6 : Bottom
- 1.7 : Perspective view
- 1.8 : Left view showing the folding state
- 1.9 : Left view showing the completely folded state
- 1.10: Claimed design in a state of use

The broken lines depict portions of the portable wireless keyboard that form no part of the claimed design; reproduction 1.1 is a front perspective view of the portable wireless keyboard; reproduction 1.2 is a front view thereof; reproduction 1.3 is a back view thereof; reproduction 1.4 is a left view thereof where the right view is a mirror image; reproduction 1.5 is a top view thereof; reproduction 1.6 is a bottom view thereof; reproduction 1.7 is a front perspective view thereof showing the folded state in the form of a bar for easy carrying; reproduction 1.8 is a left view thereof showing the folded state of the claimed design; reproduction 1.9 is a left view thereof showing the state in which the claimed design has been completely folded; reproduction 1.10 is a perspective view thereof showing an example of use state of being folded and put in a portable pouch etc. for carrying; this design is for a portable wireless keyboard which can be folded into a slim bar shape as shown in reproductions 1.7, 1.8. and 1.9.

1 Claim, 10 Drawing Sheets



(56)

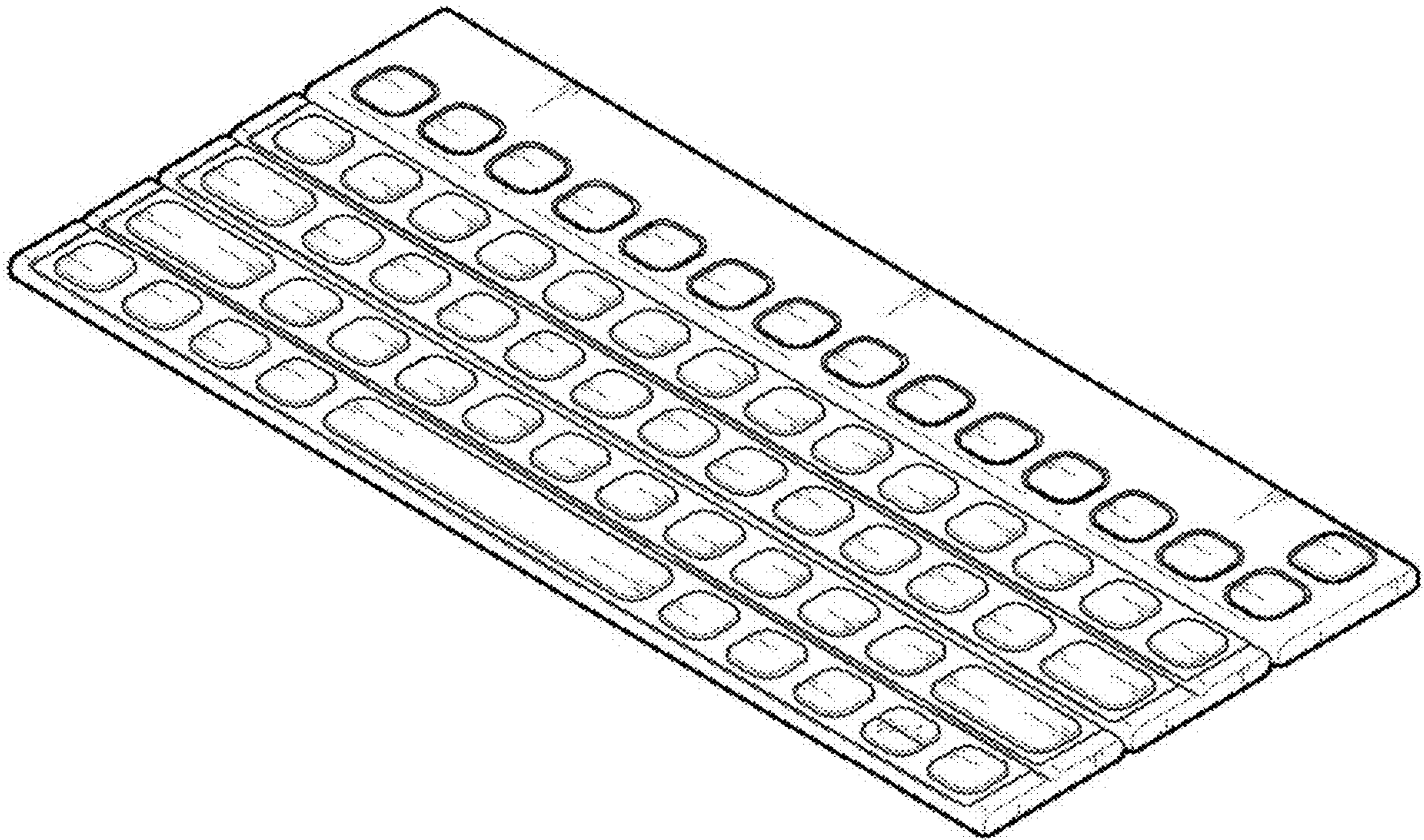
References Cited

U.S. PATENT DOCUMENTS

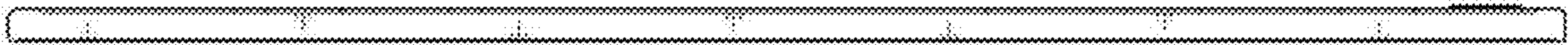
D819,639 S *	6/2018	Raken	D14/391
D834,586 S *	11/2018	Akana	D14/455
D837,792 S *	1/2019	Kim	D14/440
D837,793 S *	1/2019	Ham	D14/440
D841,015 S *	2/2019	Widiaman	D14/455
D850,459 S *	6/2019	Luo	D14/455
D850,460 S *	6/2019	Luo	D14/455

* cited by examiner

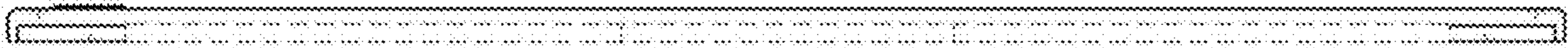
1.1



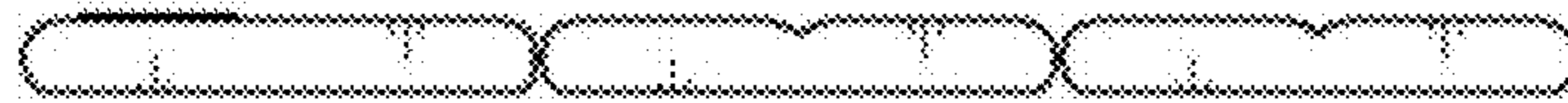
1.2



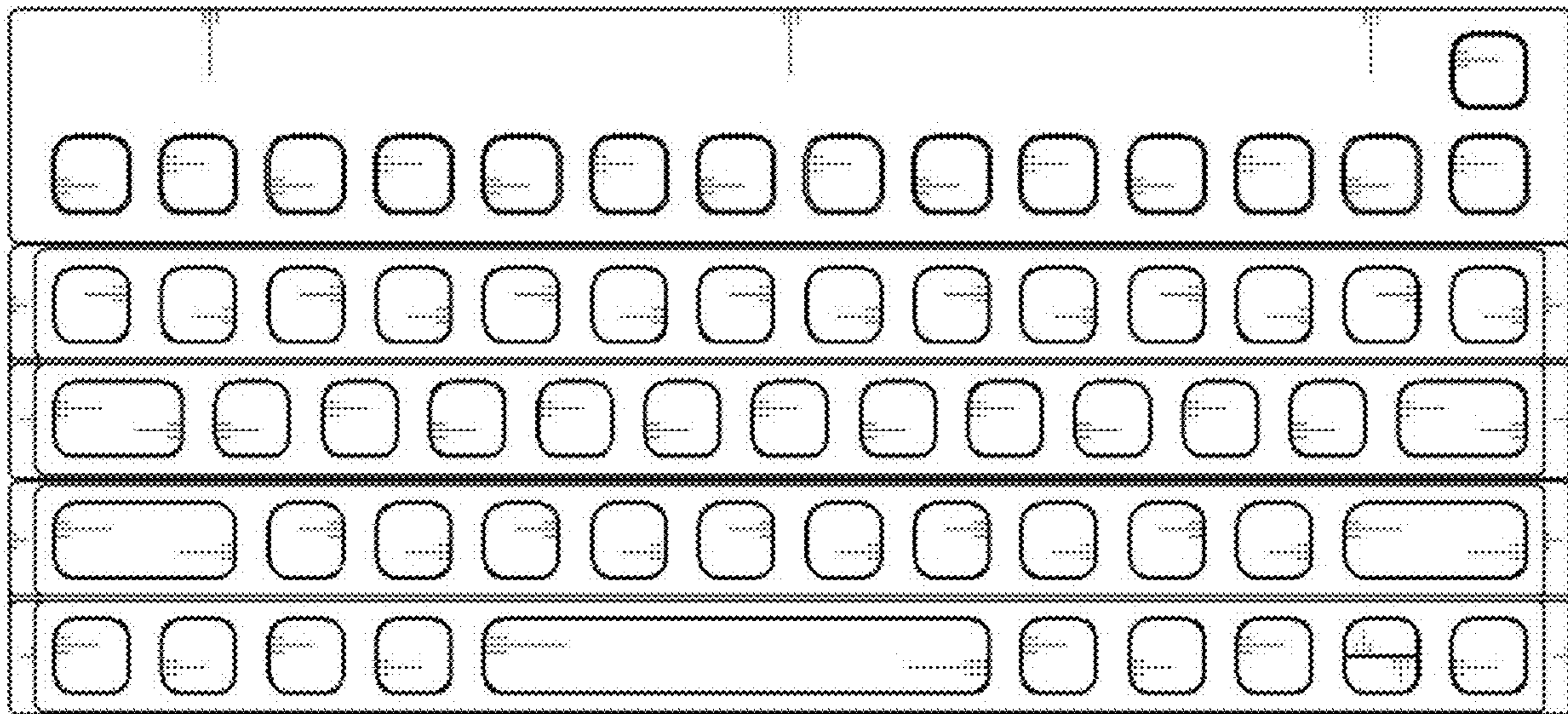
1.3



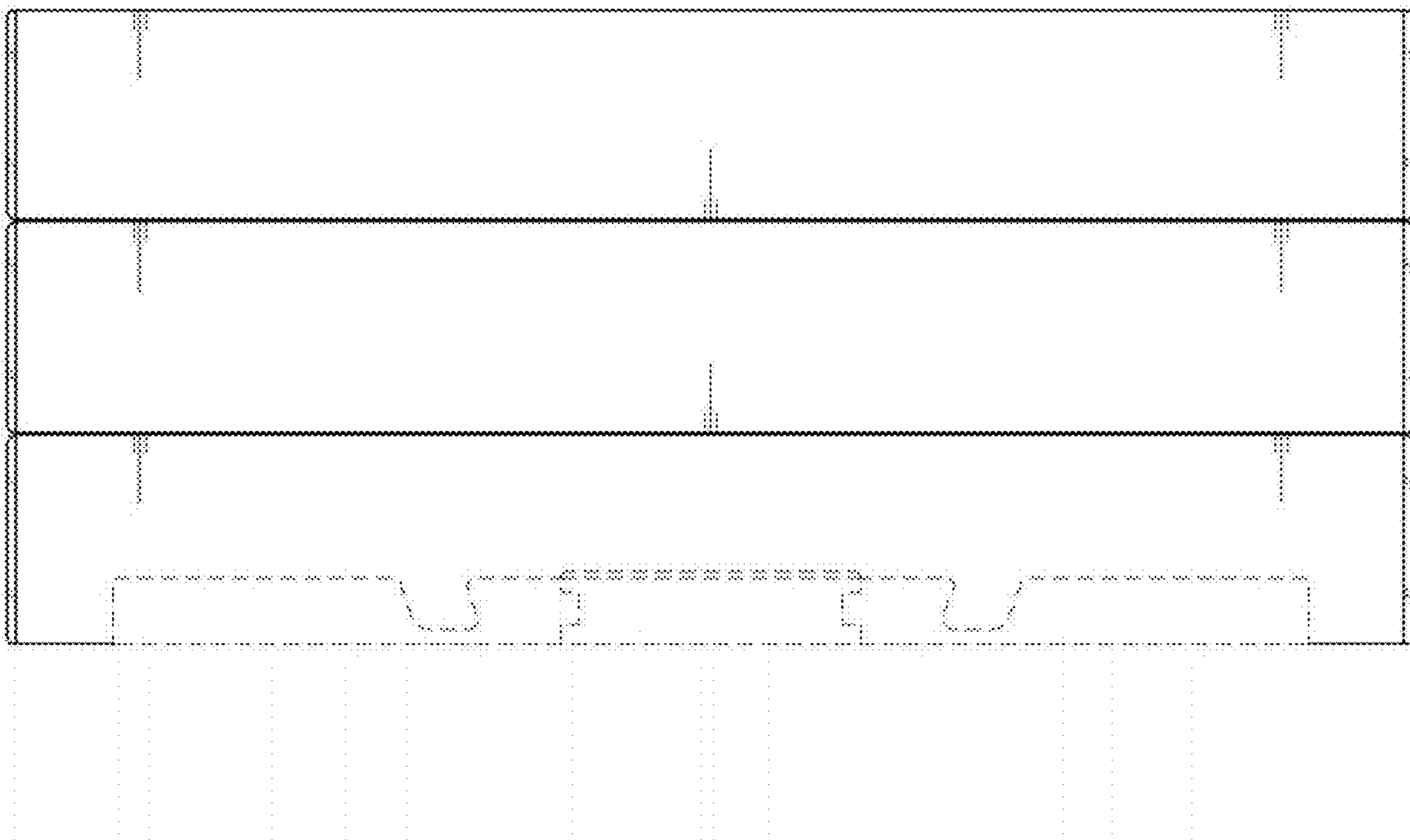
1.4



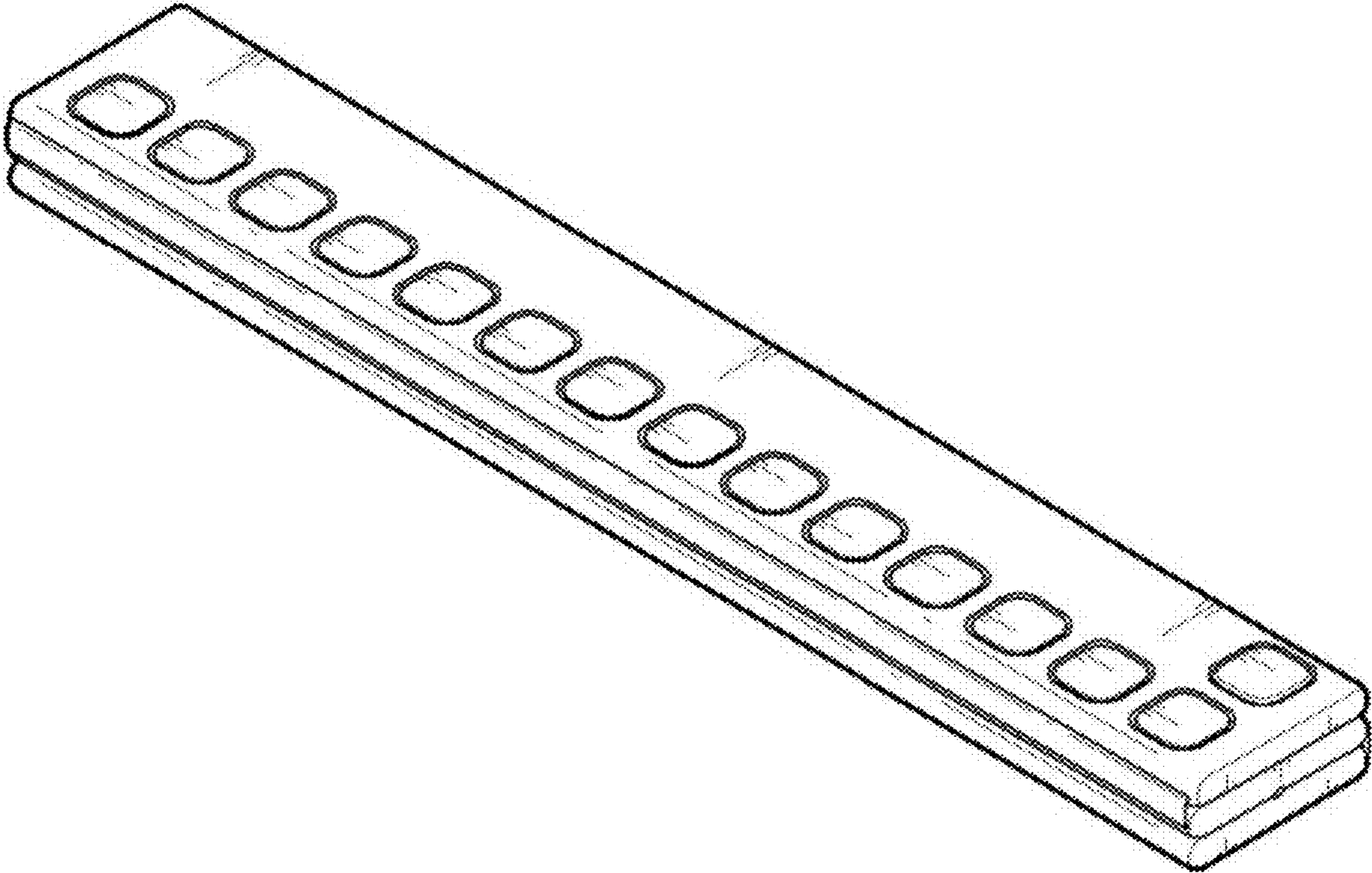
1.5



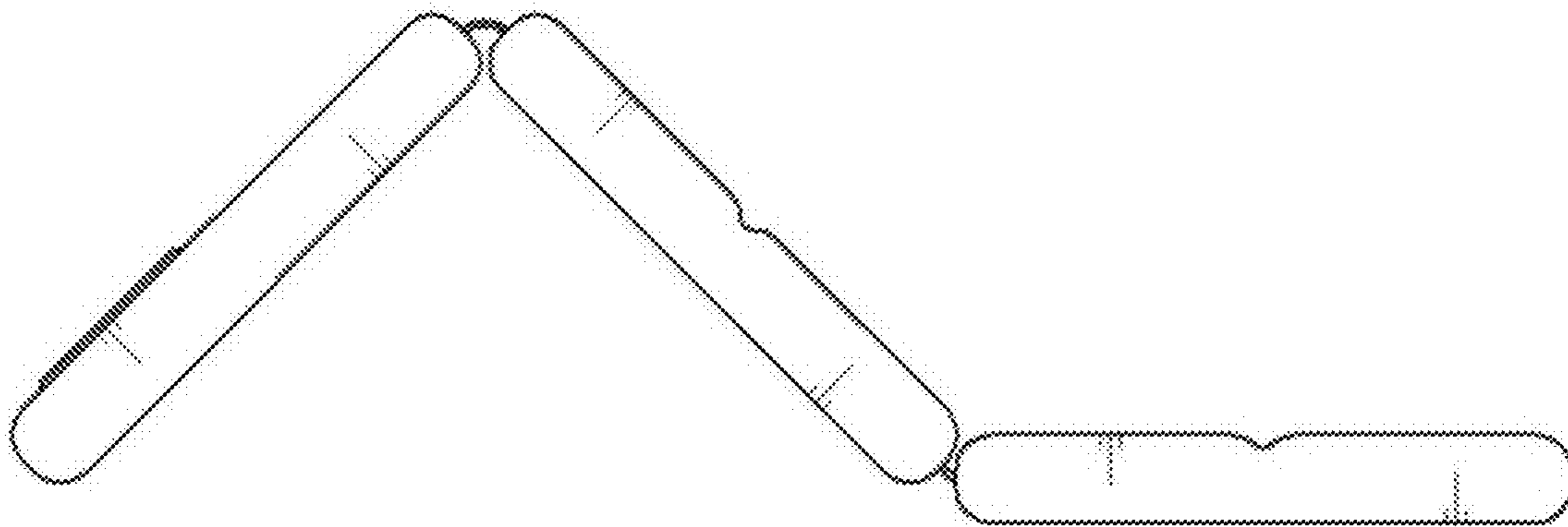
1.6



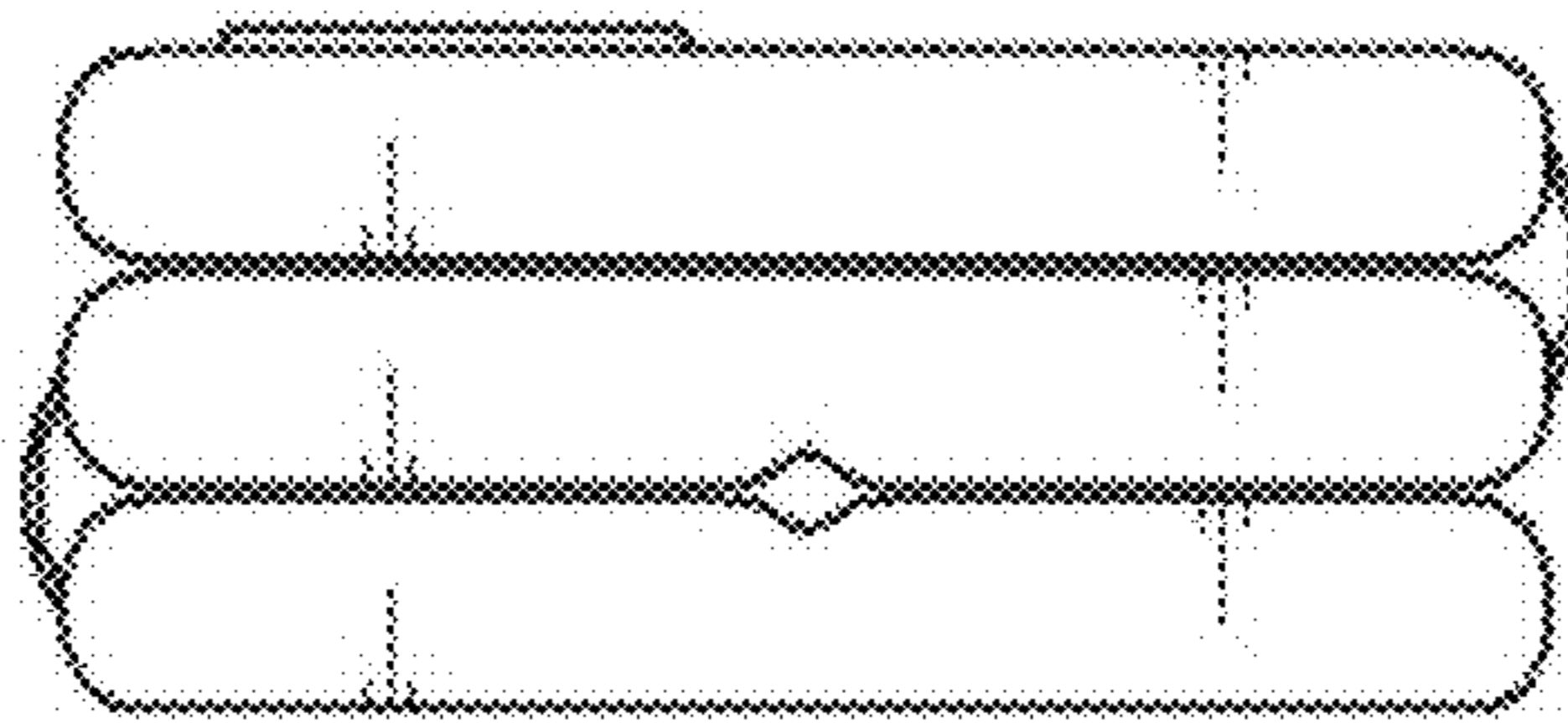
1.7



1.8



1.9



1.10

