



US00D883281S

(12) **United States Design Patent** (10) **Patent No.:** **US D883,281 S**  
**Seo** (45) **Date of Patent:** **\*\* May 5, 2020**

(54) **DISPLAY DEVICE**

(71) Applicant: **Samsung Display Co., Ltd.**, Yongin-si, Gyeonggi-do (KR)

(72) Inventor: **Young-Seok Seo**, Seoul (KR)

(73) Assignee: **Samsung Display Co., Ltd.**, Yongin-si (KR)

(\*\*) Term: **15 Years**

(21) Appl. No.: **29/633,376**

(22) Filed: **Jan. 12, 2018**

(30) **Foreign Application Priority Data**

Jul. 28, 2017 (KR) ..... 30-2017-0035046

(51) **LOC (12) Cl.** ..... **14-02**

(52) **U.S. Cl.**  
USPC ..... **D14/375**

(58) **Field of Classification Search**  
USPC ..... D14/349, 351-355, 359, 440-441, 444, D14/446, 348, 371, 356-358, 363, 442,  
(Continued)

(56) **References Cited**

**U.S. PATENT DOCUMENTS**

3,765,718 A \* 10/1973 Chen ..... A47C 4/52  
297/17  
D262,548 S \* 1/1982 Delehant ..... D21/365  
(Continued)

**FOREIGN PATENT DOCUMENTS**

JP D1292874 \* 2/2007 ..... D7/141  
JP D1413011 \* 5/2011  
(Continued)

**OTHER PUBLICATIONS**

Walnut Rectangular Stand, Kaguoka, kaguoka.com, author not listed, published on Mar. 15, 2011 per wayback machine © not

listed, online, site visited Sep. 7, 2019. Available from Internet, URL: [http://kaguoka.com/works/table/walnut\\_rectangular\\_tyabudai.html](http://kaguoka.com/works/table/walnut_rectangular_tyabudai.html) (Year: 2011).\*

(Continued)

*Primary Examiner* — Marissa J Cash  
*Assistant Examiner* — Altaira J Swangin

(74) *Attorney, Agent, or Firm* — Lewis Roca Rothgerber Christie LLP

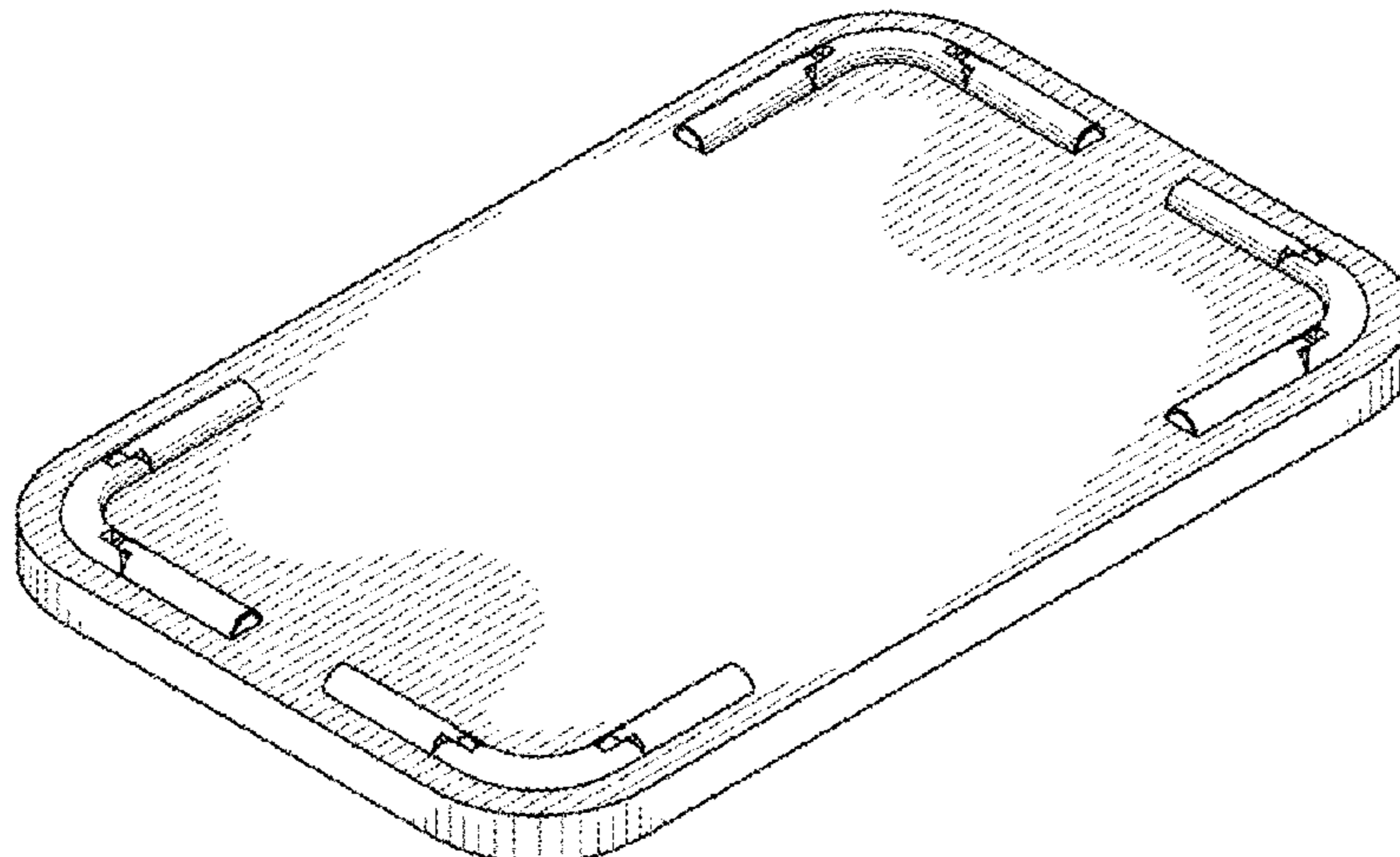
(57) **CLAIM**

The ornamental design for a display device, as shown and described.

**DESCRIPTION**

FIG. 1 is a front perspective view of the display device; FIG. 2 is a front view thereof; FIG. 3 is a rear view thereof; FIG. 4 is a left side view thereof, with the right side being a mirror image of the left side view; FIG. 5 is a top view thereof, with the bottom view being a mirror image of the top view; FIG. 6 is a rear perspective view thereof; FIG. 7 is a front perspective view of the display device, showing the design in a second alternate configuration with four pedestals in an unfolded and fully extended state; FIG. 8 is a rear perspective view of the display device, showing the design in the alternate configuration of FIG. 7; FIG. 9 is a front perspective view of the display device, showing the design in a third alternate configuration with two outer pedestals in a partially extended, unfolded state and the remaining pedestals in a folded state; FIG. 10 is a rear perspective view of the display device, showing the design in the third alternate configuration of FIG. 9; and, FIG. 11 is a front perspective view of the display device, showing the design in a fourth alternate configuration with two inner pedestals in a partially extended, unfolded state and the remaining pedestals in a folded state.

(Continued)



The broken lines depicting images on the rear surface of the display device in FIG. 10, illustrate environmental subject matter only and form no part of the claimed design.

**1 Claim, 11 Drawing Sheets**

**(58) Field of Classification Search**

USPC ... D14/478, 434-436, 375, 508, 114, 138 G, D14/140.5, 211, 227; D9/424-433; 206/706-709, 722-725; D3/315-316; 361/679.31; D13/107; 40/406, 427; D20/39, 41-42, 23, 27, 29; D24/137, D24/138, 160, 186; D10/6, 33, 54, D10/106.4, 119.4, 652, 667; D19/113-114; D21/334, 365; 345/173; 248/177.1, 178.1, 181.2, 188.5, 166, 248/188.6, 463, 472  
 CPC ..... G06F 1/20; G06F 1/181; G06F 3/0488; H05K 5/00; H05K 5/0213; H05K 5/03; H05K 1/144; H05K 5/0017; H05K 5/0234; G02F 1/133611; G02F 1/133603; G02F 2001/133607; G02F 2001/133613; E04H 1/1272; E04H 1/1222; G09F 13/00; G09F 9/00; G09F 9/3023; G09F 9/3026  
 See application file for complete search history.

**(56) References Cited**

**U.S. PATENT DOCUMENTS**

D402,696 S \* 12/1998 Rosen ..... D19/113  
 6,257,536 B1 \* 7/2001 Manuel ..... G09F 7/06  
 248/205.1  
 D452,713 S \* 1/2002 Badertscher ..... D20/42  
 D455,419 S \* 4/2002 Inoue ..... D14/230  
 6,585,199 B1 \* 7/2003 Yu ..... F16M 11/28  
 248/163.1  
 D495,372 S \* 8/2004 Oister ..... D21/318  
 6,843,183 B2 \* 1/2005 Strong ..... A47B 9/14  
 108/147.19  
 6,969,112 B1 \* 11/2005 Sherrill ..... A47C 4/20  
 297/16.1  
 D514,057 S \* 1/2006 Borunda ..... D12/426.1  
 6,997,525 B2 \* 2/2006 Gillengerten ..... A47B 81/06  
 312/21  
 D517,536 S \* 3/2006 Wang ..... D14/230  
 D551,717 S \* 9/2007 Diller ..... D20/42  
 D596,177 S \* 7/2009 Steele ..... D14/358  
 7,862,409 B1 \* 1/2011 Sheppard ..... A22C 17/0033  
 452/198  
 8,065,965 B2 \* 11/2011 Pearson ..... A47B 3/08  
 108/132  
 8,499,370 B1 \* 8/2013 Felicetta ..... A47K 11/04  
 4/476  
 8,599,570 B2 \* 12/2013 Ke ..... F16M 13/005  
 248/371

8,767,392 B2 \* 7/2014 Wang ..... G06F 1/1686  
 248/187.1  
 D727,900 S 4/2015 Lee et al.  
 D727,923 S 4/2015 Yum et al.  
 D729,798 S 5/2015 Hwangbo et al.  
 D730,353 S 5/2015 Hwangbo et al.  
 D730,896 S 6/2015 Hwangbo et al.  
 D730,897 S 6/2015 Hwangbo et al.  
 D730,898 S 6/2015 Hwangbo et al.  
 D732,030 S 6/2015 Hwangbo et al.  
 D732,031 S 6/2015 Hwangbo et al.  
 D734,282 S 7/2015 Shin et al.  
 D745,518 S 12/2015 Cho et al.  
 D745,519 S 12/2015 Cho et al.  
 D809,491 S \* 2/2018 Tinaphong ..... D14/230  
 D855,603 S \* 8/2019 Kim ..... D14/250  
 D855,605 S \* 8/2019 Kim ..... D14/250  
 D856,322 S \* 8/2019 Huebner ..... D14/341  
 D858,501 S \* 9/2019 Jung ..... D14/250  
 2002/0020655 A1 \* 2/2002 McKsymick ..... A47B 21/00  
 206/738  
 2005/0053256 A1 \* 3/2005 Albert ..... H04R 5/023  
 381/388  
 2005/0218978 A1 \* 10/2005 Liu ..... H05K 5/0234  
 330/114  
 2009/0101771 A1 \* 4/2009 Tang ..... F16M 11/32  
 248/177.1  
 2010/0200710 A1 \* 8/2010 Shenouda ..... F16M 11/28  
 248/157  
 2012/0187259 A1 \* 7/2012 Cheng ..... F16M 11/10  
 248/188.6  
 2014/0283715 A1 \* 9/2014 Sevadjian ..... A47B 9/14  
 108/147.21  
 2015/0301566 A1 \* 10/2015 Santiago ..... G06F 1/203  
 248/396  
 2015/0327739 A1 \* 11/2015 Edwards ..... A47K 17/02  
 4/254  
 2016/0256758 A1 \* 9/2016 Riniti ..... A63B 67/06  
 2017/0023292 A1 \* 1/2017 Marinelli ..... F25D 3/08  
 2017/0133764 A1 \* 5/2017 Tinaphong ..... H01Q 1/2291  
 2017/0292549 A1 \* 10/2017 Del Missier ..... F16B 1/00  
 2018/0124230 A1 \* 5/2018 Muthukumar ..... H04M 1/0202  
 2018/0184531 A1 \* 6/2018 Seo ..... G06F 3/044  
 2019/0069429 A1 \* 2/2019 Lu ..... H05K 7/1417  
 2019/0167021 A1 \* 6/2019 Jones ..... A47G 19/26

**FOREIGN PATENT DOCUMENTS**

JP D1510964 \* 11/2014  
 JP D1498066 \* 5/2015  
 KR 10-1164483 7/2012  
 KR 30-0834159 S 1/2016  
 KR 30-0850181 S 4/2016  
 KR 10-2016-0067588 A 6/2016

**OTHER PUBLICATIONS**

Mobile Stand, Jalaka, jalaka.com, author not listed, published on Feb. 20, 2016 per wayback machine © 2019, online, site visited Sep. 6, 2019. Available from Internet, URL: <https://www.jalaka.com/products/jalaka-dual> (Year: 2016).\*

\* cited by examiner

FIG. 1

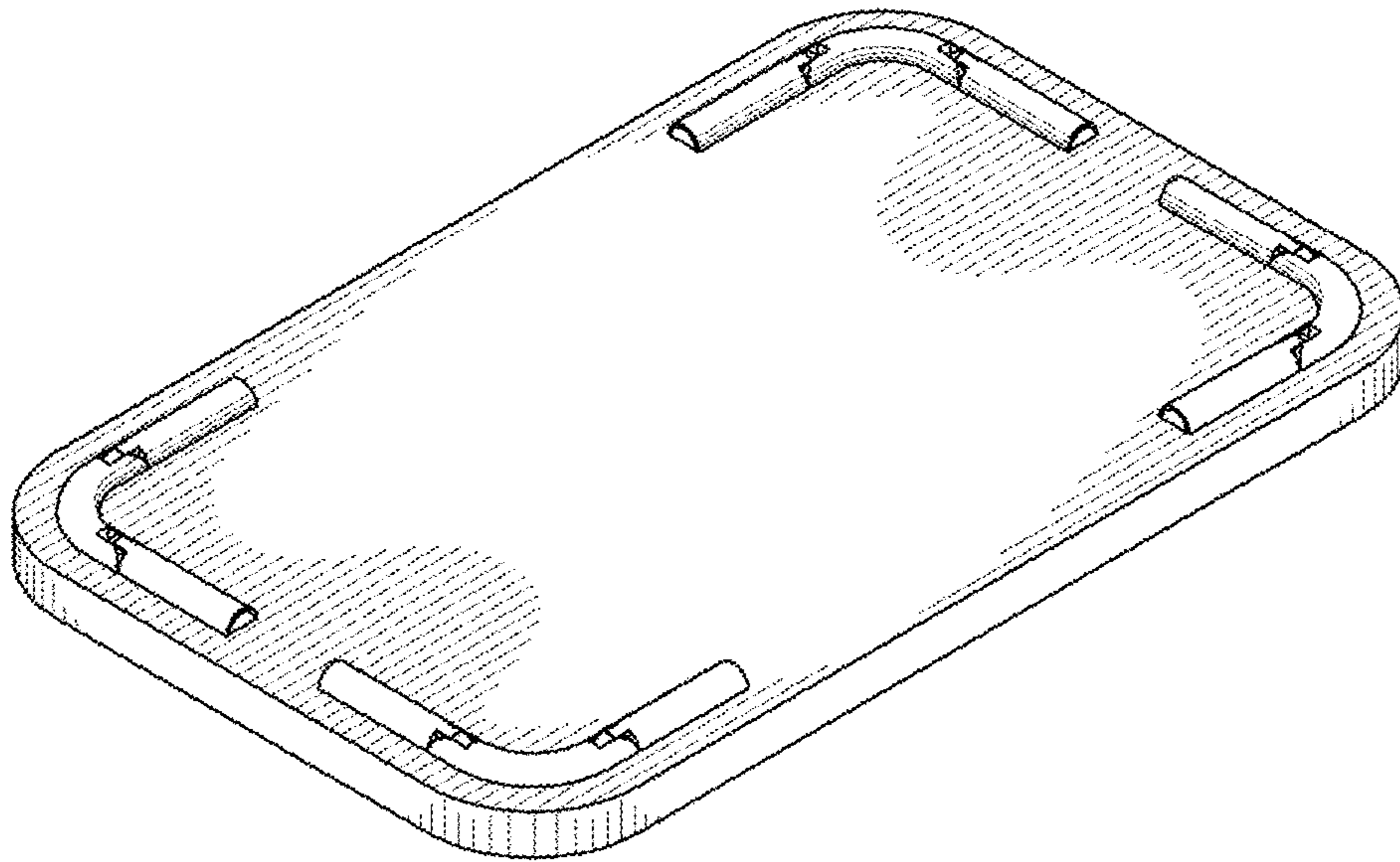


FIG. 2

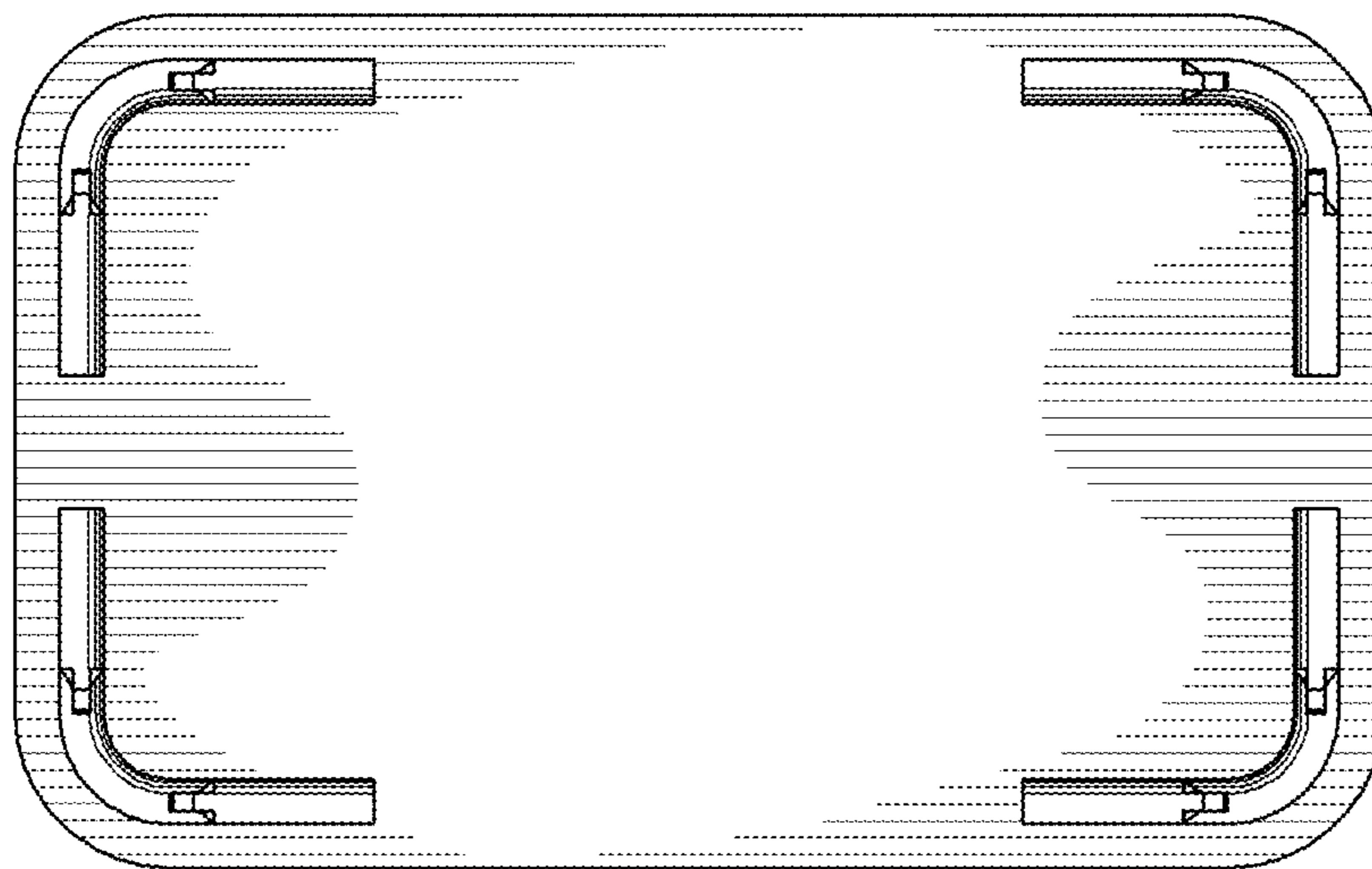


FIG. 3

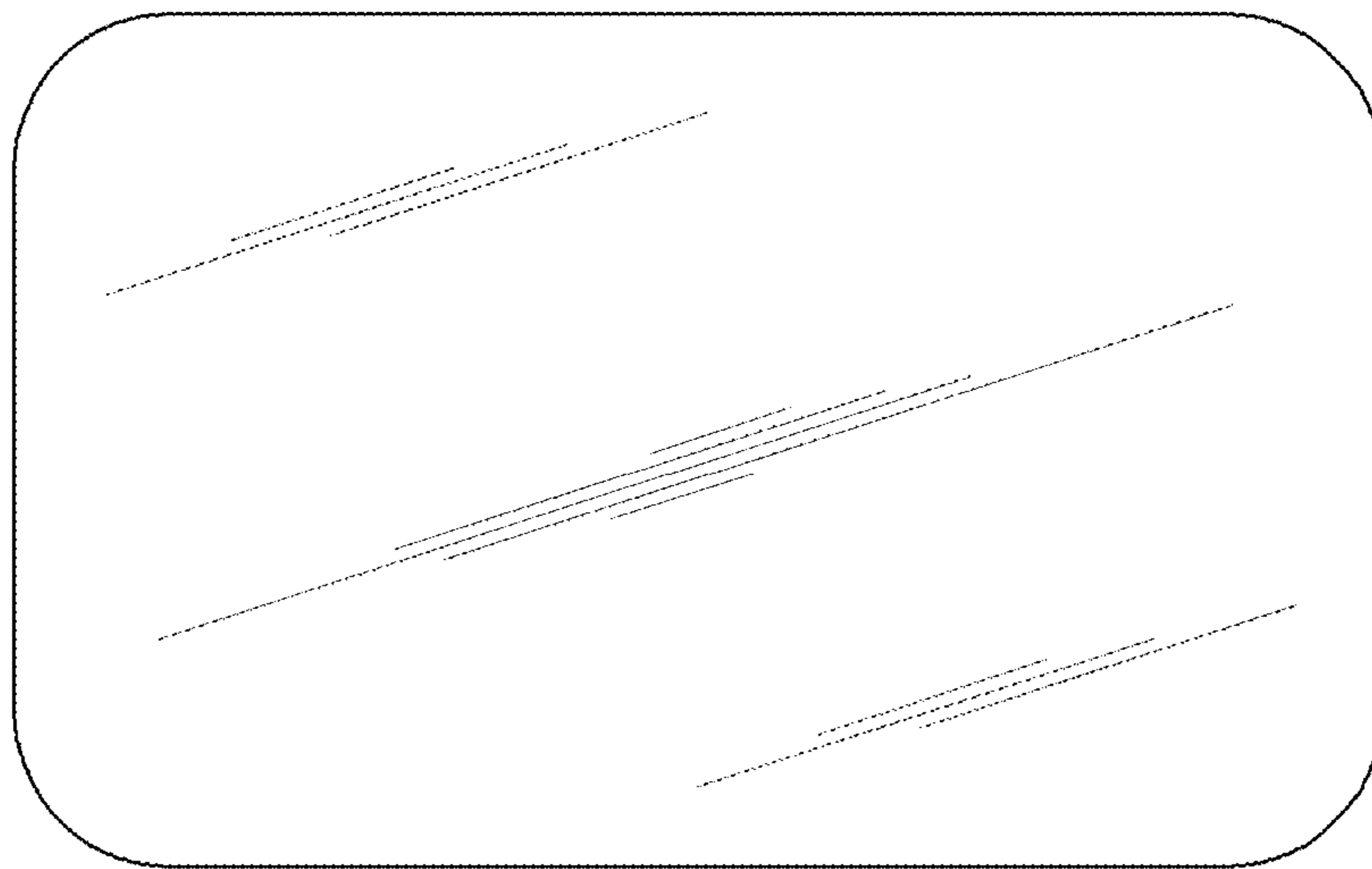


FIG. 4

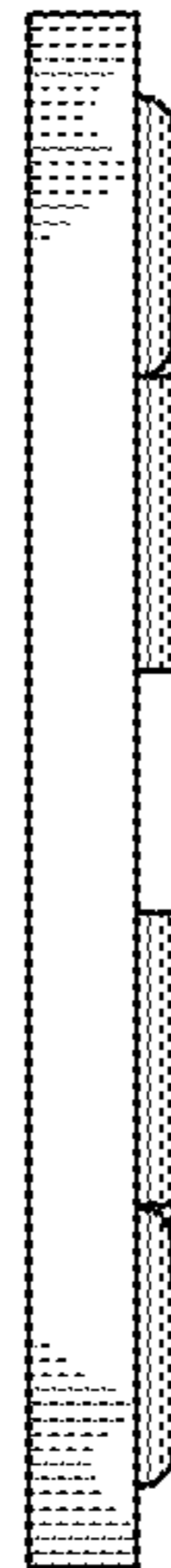


FIG. 5

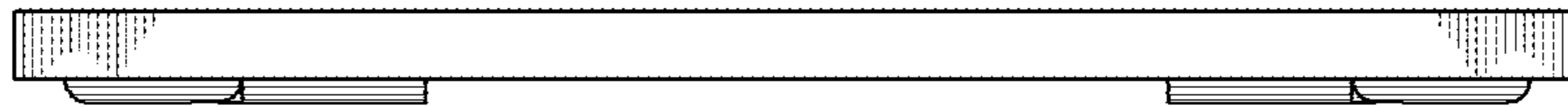


FIG. 6

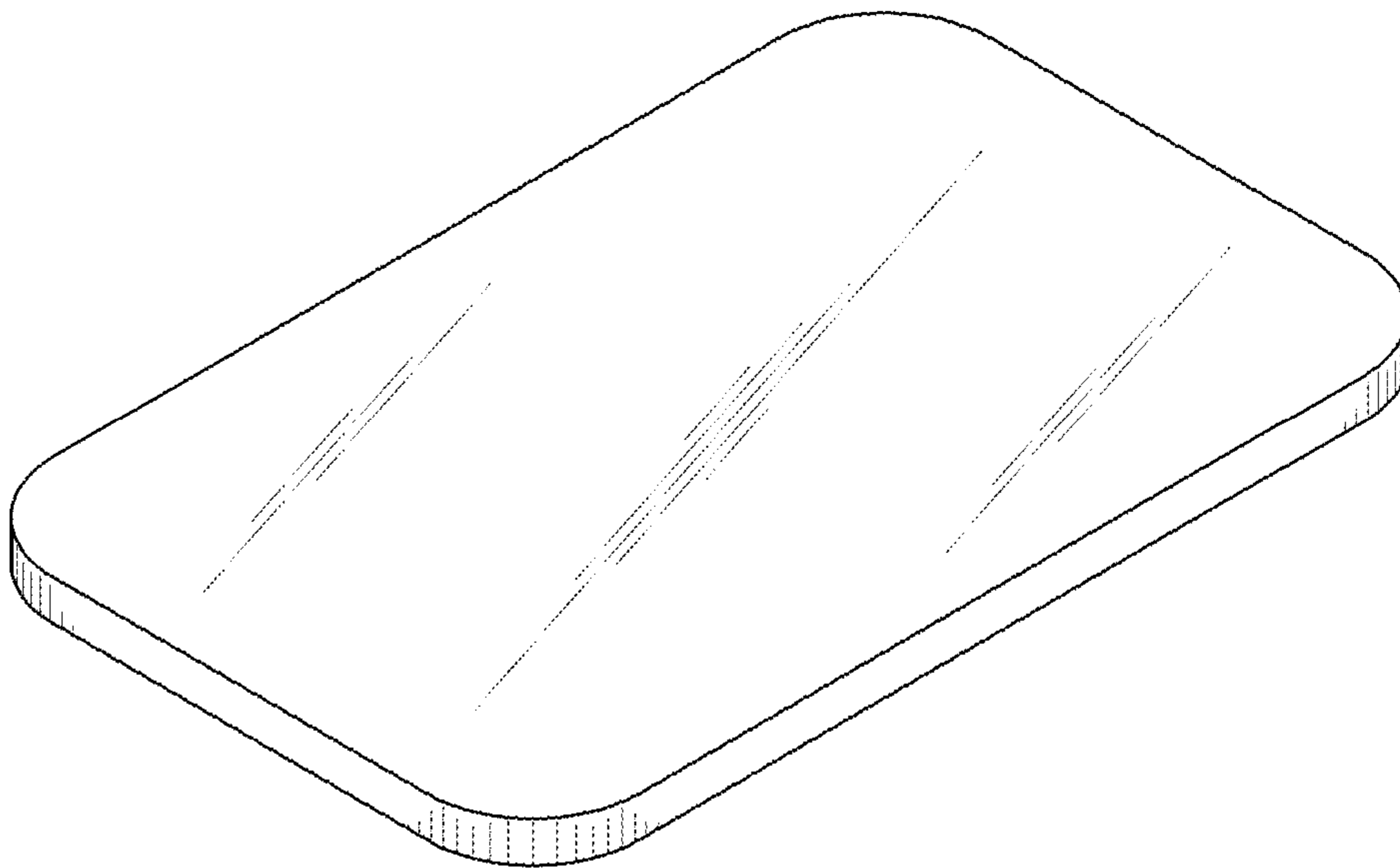




FIG. 7

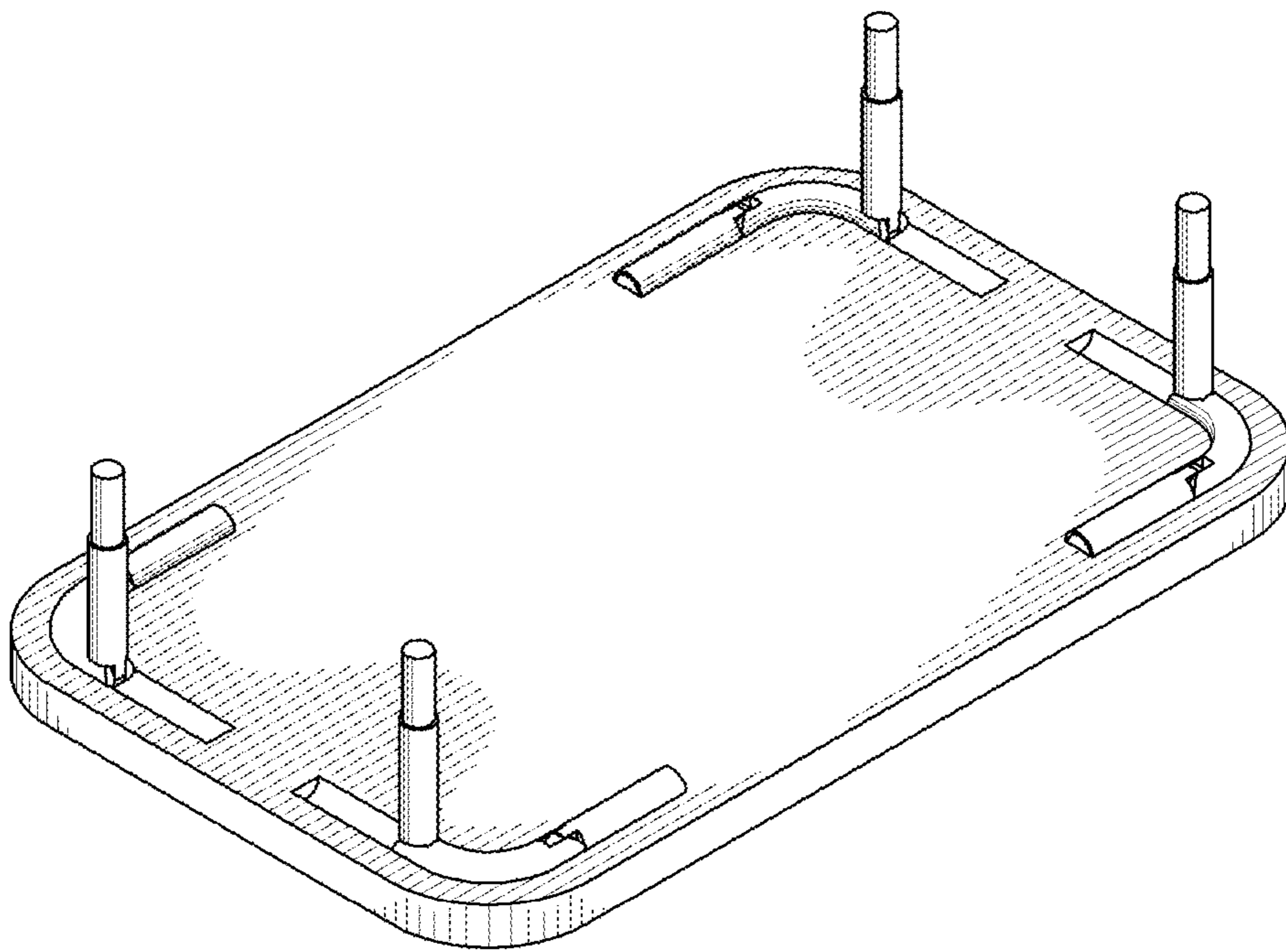


FIG. 8

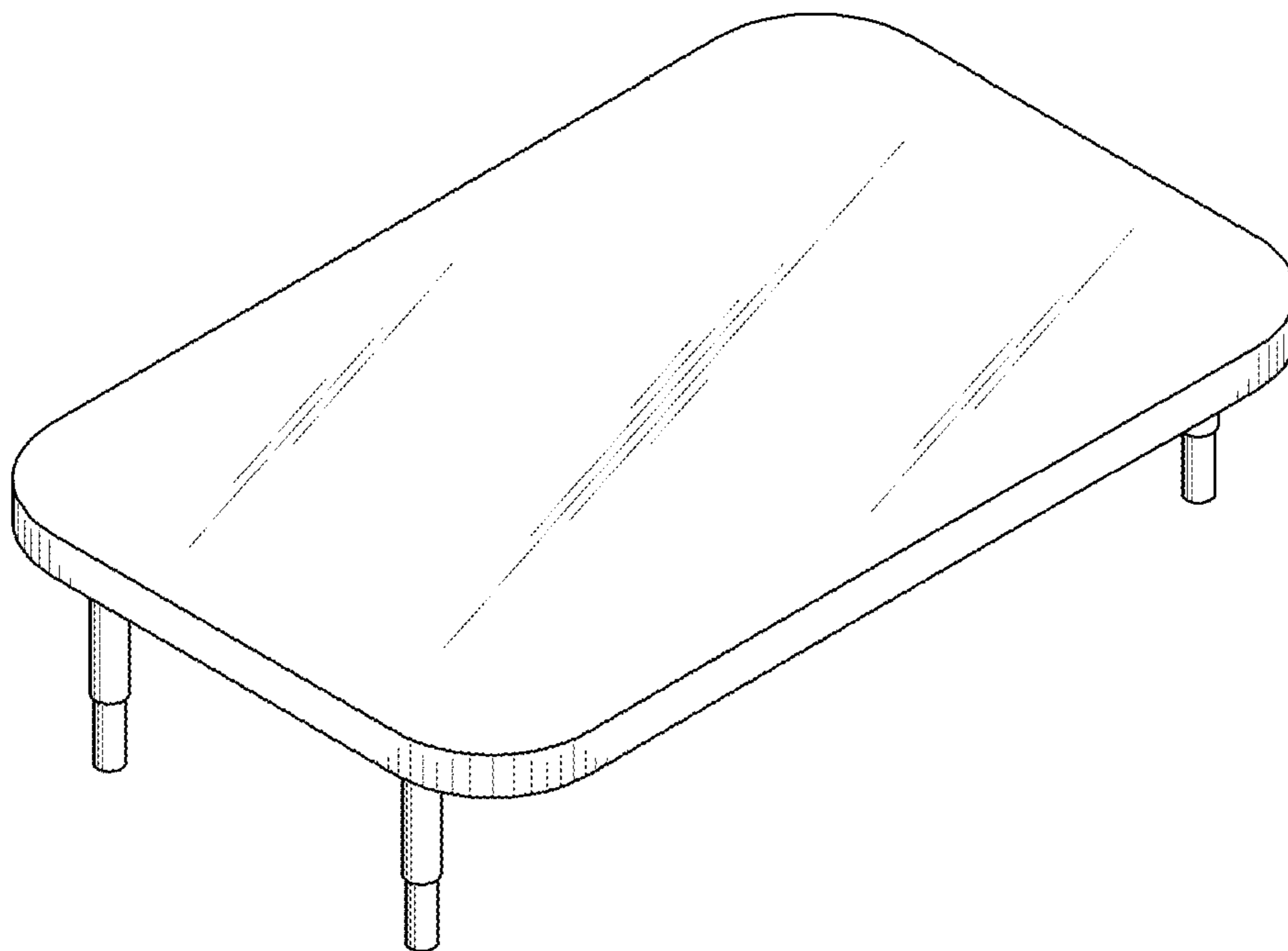


FIG. 9

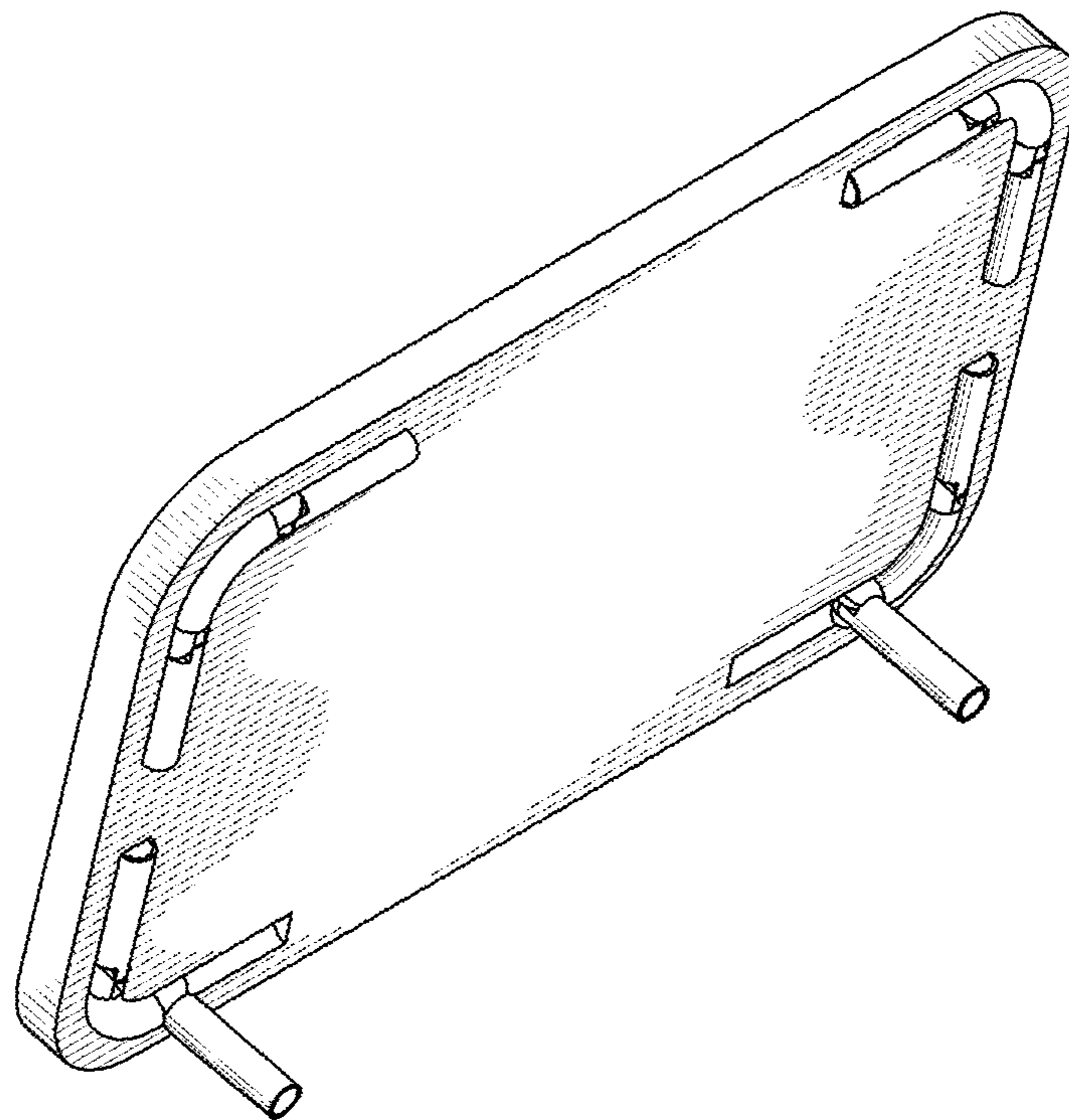


FIG. 10

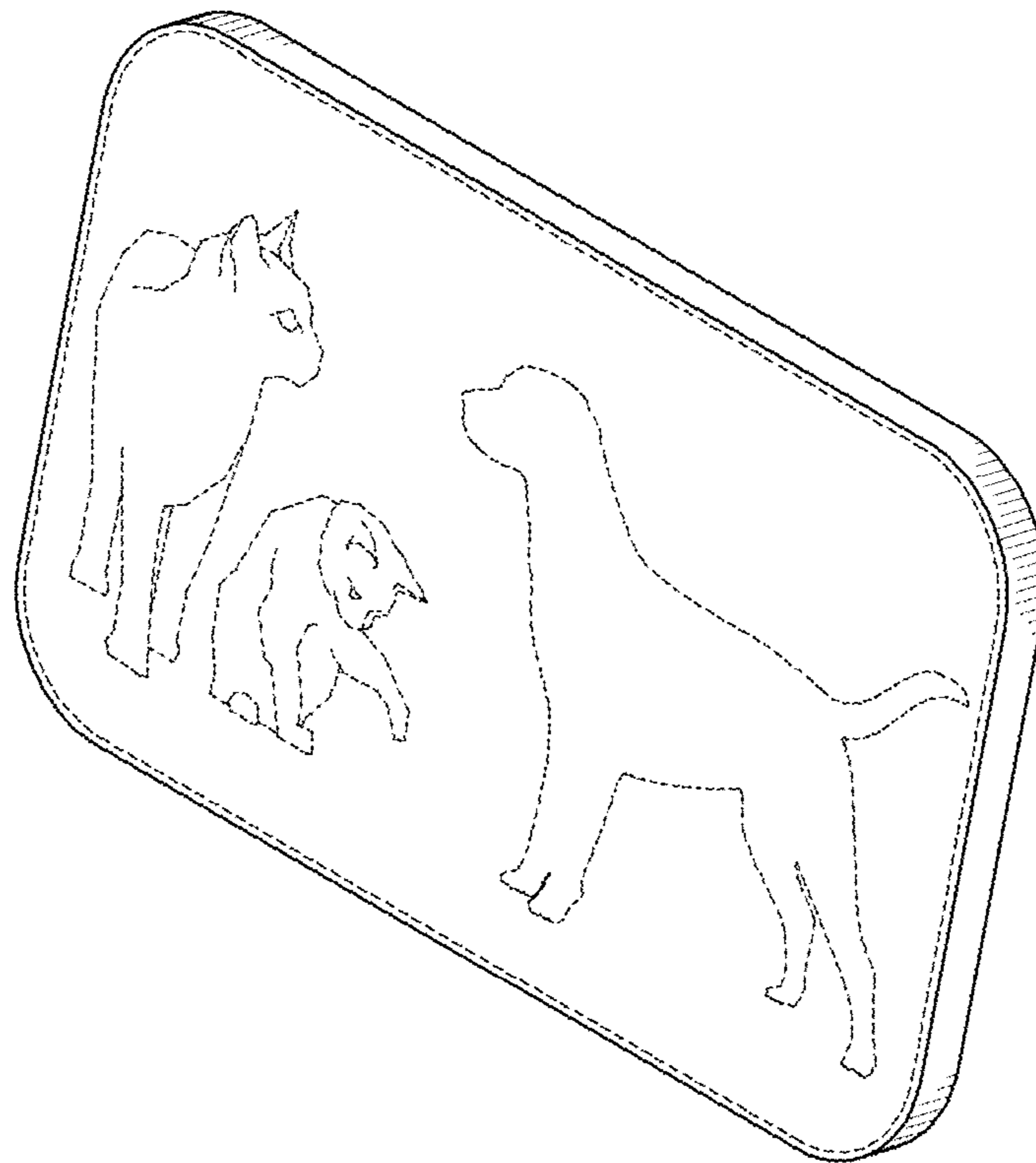


FIG. 11

