



US00D883277S

(12) **United States Design Patent**
Govil et al.

(10) **Patent No.:** **US D883,277 S**
(45) **Date of Patent:** **** May 5, 2020**

(54) **SMART DESK**

FOREIGN PATENT DOCUMENTS

(71) Applicant: **Cemtrex, Inc.**, Farmingdale, NY (US)

CN 206423789 U 8/2017

(72) Inventors: **Saagar Govil**, Farmingdale, NY (US);
Joe Novelli, Oakland, NJ (US); **Jeff Andersen**, Merrick, NY (US)

OTHER PUBLICATIONS

Smartdesk, posted at Smartestdesk.com, posted on Jan. 2, 2019, site visited Nov. 20, 2019. online, available from internet: <https://smartestdesk.com/products/smartdesk?variant=12906059038775> (Year: 2019).*

(73) Assignee: **Cemtrex, Inc.**, Farmingdale, NY (US)

(Continued)

(**) Term: **15 Years**

Primary Examiner — Mary Ann Calabrese

Assistant Examiner — Catherine Ho

(21) Appl. No.: **29/656,259**

(74) *Attorney, Agent, or Firm* — Woods Oviatt Gilman LLP; Dennis B. Danella, Esq.

(22) Filed: **Jul. 11, 2018**

(51) **LOC (12) Cl.** **14-02**

(52) **U.S. Cl.**
USPC **D14/306**; D6/656.16

(58) **Field of Classification Search**
USPC D6/641, 642, 648, 648.1, 650, 650.1,
D6/655, 655.1, 655.14, 656, 656.1,
D6/656.11, 656.12, 656.13, 656.14,
D6/656.15, 656.16, 656.17, 656.18,
D6/656.19, 675, 686, 688.14, 688.15,
D6/691, 691.5, 691.6, 691.7, 697;
D14/306

CPC A47B 9/00; A47B 9/02; A47B 9/04; A47B
9/12; A47B 2200/0035; A47B 2200/005;
A47B 2200/0056

See application file for complete search history.

(57) **CLAIM**

What is claimed is an ornamental design for a smart desk, as shown and described.

DESCRIPTION

FIG. 1 is a perspective view of the first embodiment of a smart desk, showing our new design;
FIG. 2 is a front view thereof;
FIG. 3 is a rear view thereof;
FIG. 4 is a right side view thereof;
FIG. 5 is a left side view thereof;
FIG. 6 is a top view thereof;
FIG. 7 is a bottom view thereof;
FIG. 8 is a perspective view of the second embodiment of a smart desk;
FIG. 9 is a front view thereof;
FIG. 10 is a rear view thereof;
FIG. 11 is a right side view thereof;
FIG. 12 is a left side view thereof;
FIG. 13 is a top view thereof; and,
FIG. 14 is a bottom view thereof.

The broken line portion of the figure drawings is included to show portions of the article that form no part of the claimed design.

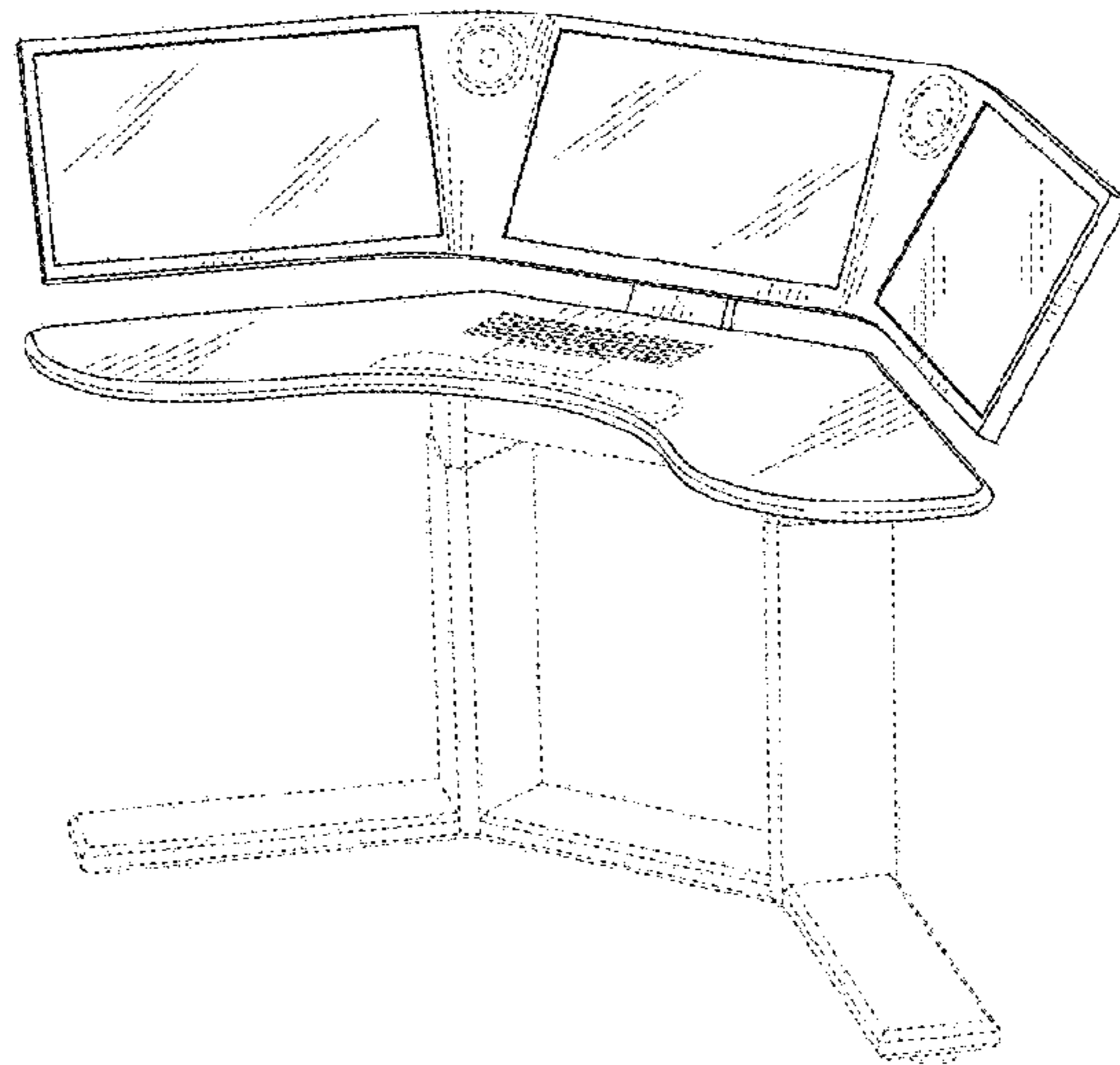
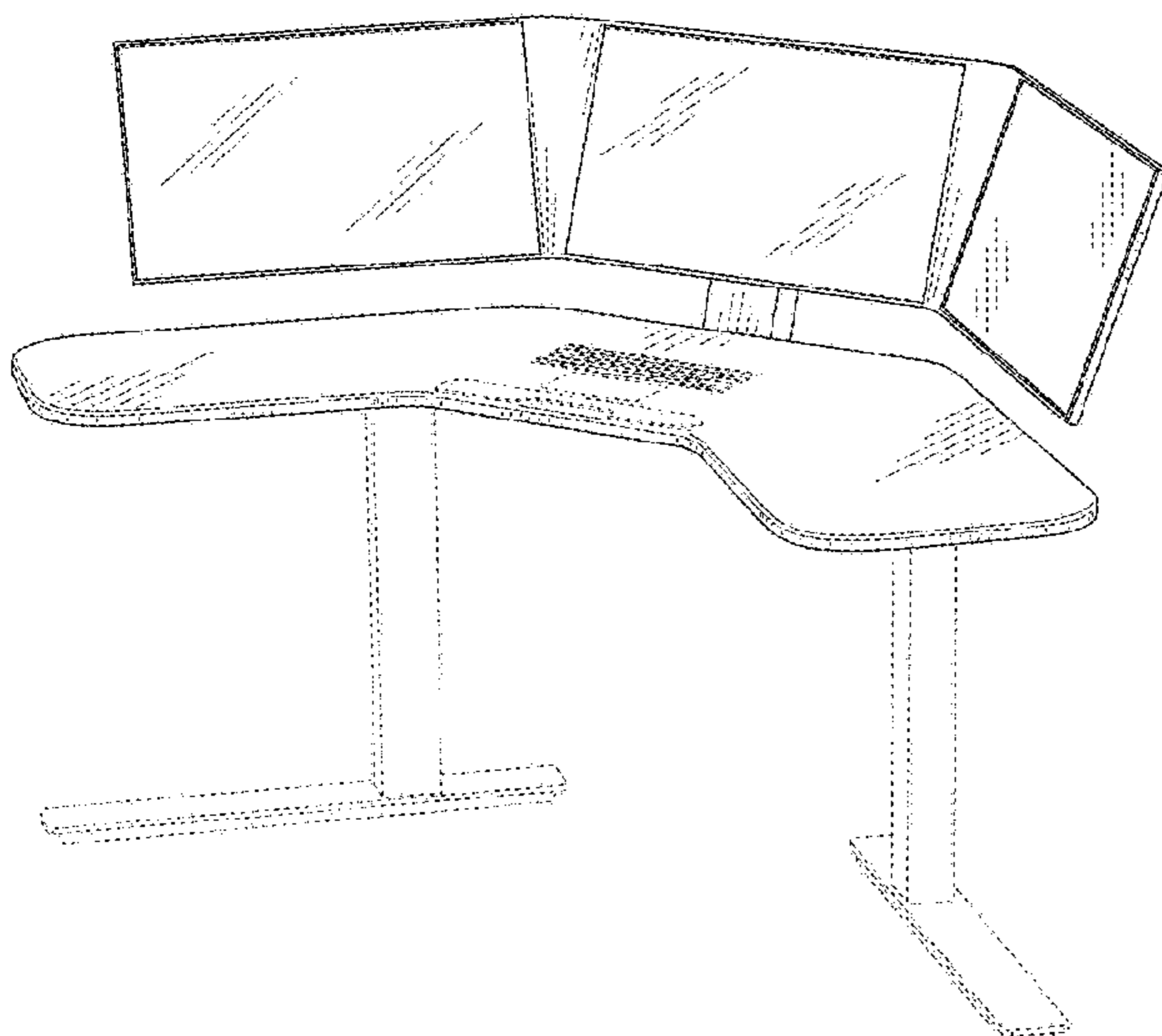
(56) **References Cited**

U.S. PATENT DOCUMENTS

D290,197 S	*	6/1987	Hoffman	D6/648
D369,788 S	*	5/1996	Yanos	D14/306
D438,726 S	*	3/2001	Coburn	D6/648
D476,325 S	*	6/2003	Monson	D14/306
D585,857 S	*	2/2009	Monson	D14/126
D650,777 S	*	12/2011	Suzuki	D14/306
D650,778 S	*	12/2011	Suzuki	D14/306

(Continued)

1 Claim, 13 Drawing Sheets



(56)

References Cited

U.S. PATENT DOCUMENTS

D697,862 S * 1/2014 Nemeth D12/192
D719,927 S * 12/2014 Aarrestad D14/127
D720,710 S * 1/2015 Aarrestad D14/127
9,122,249 B2 9/2015 Lyons
D774,028 S * 12/2016 Laycock D14/306
2011/0209089 A1 8/2011 Hinckley et al.
2011/0209109 A1 8/2011 Hinkley et al.
2011/0260997 A1 10/2011 Ozaki
2018/0199705 A1* 7/2018 Atkins G10G 5/00
2018/0352950 A1* 12/2018 Bowman A47B 21/0314

OTHER PUBLICATIONS

International Search Report of the International Searching Authority dated May 17, 2018, issued in connection with International Application No. PCT/US2018/23304 (3 pages).

Written Opinion of the International Searching Authority dated May 17, 2018, issued in connection with International Application No. PCT/US2018/23304 (4 pages).

* cited by examiner

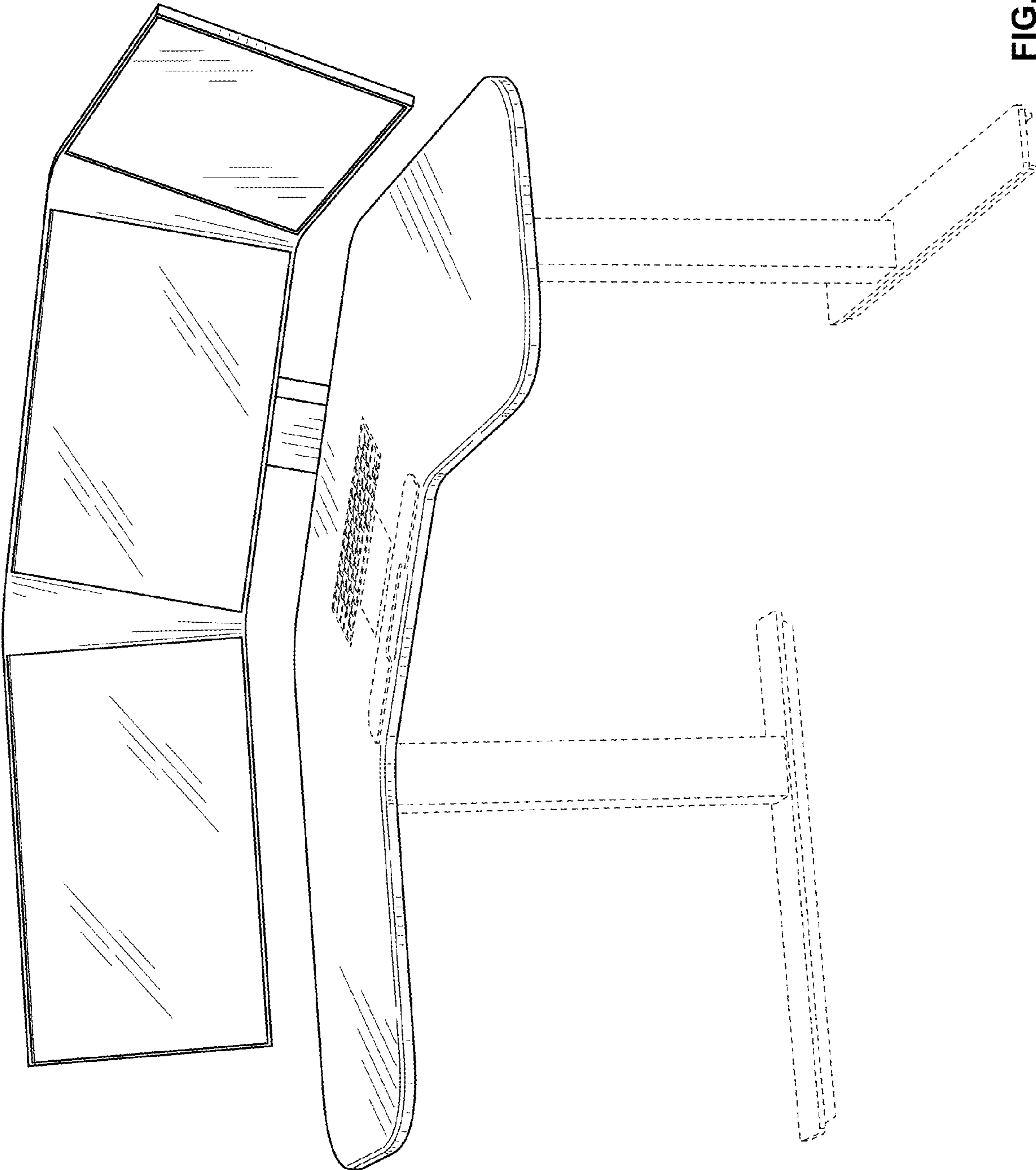


FIG. 1

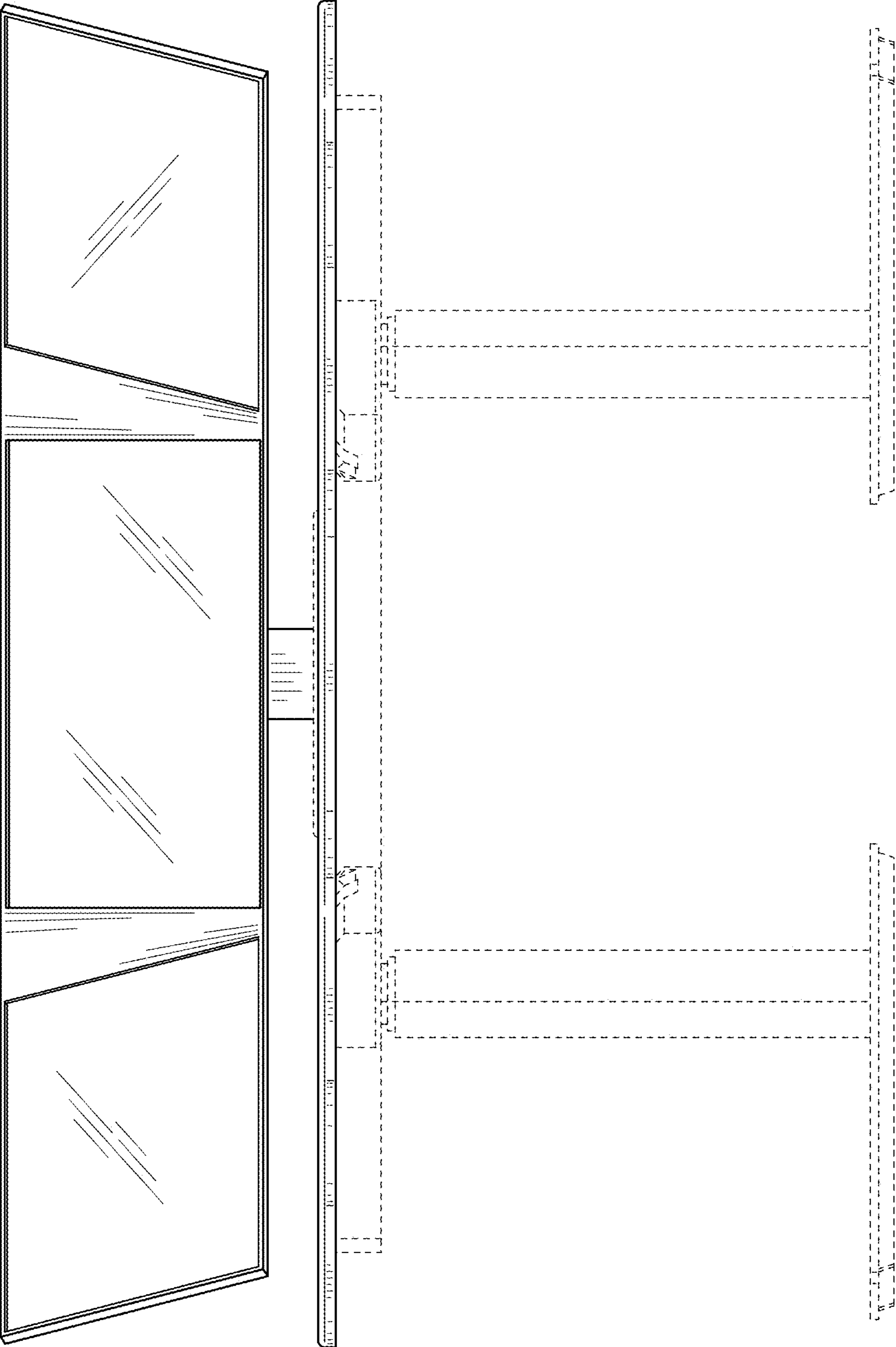


FIG. 2

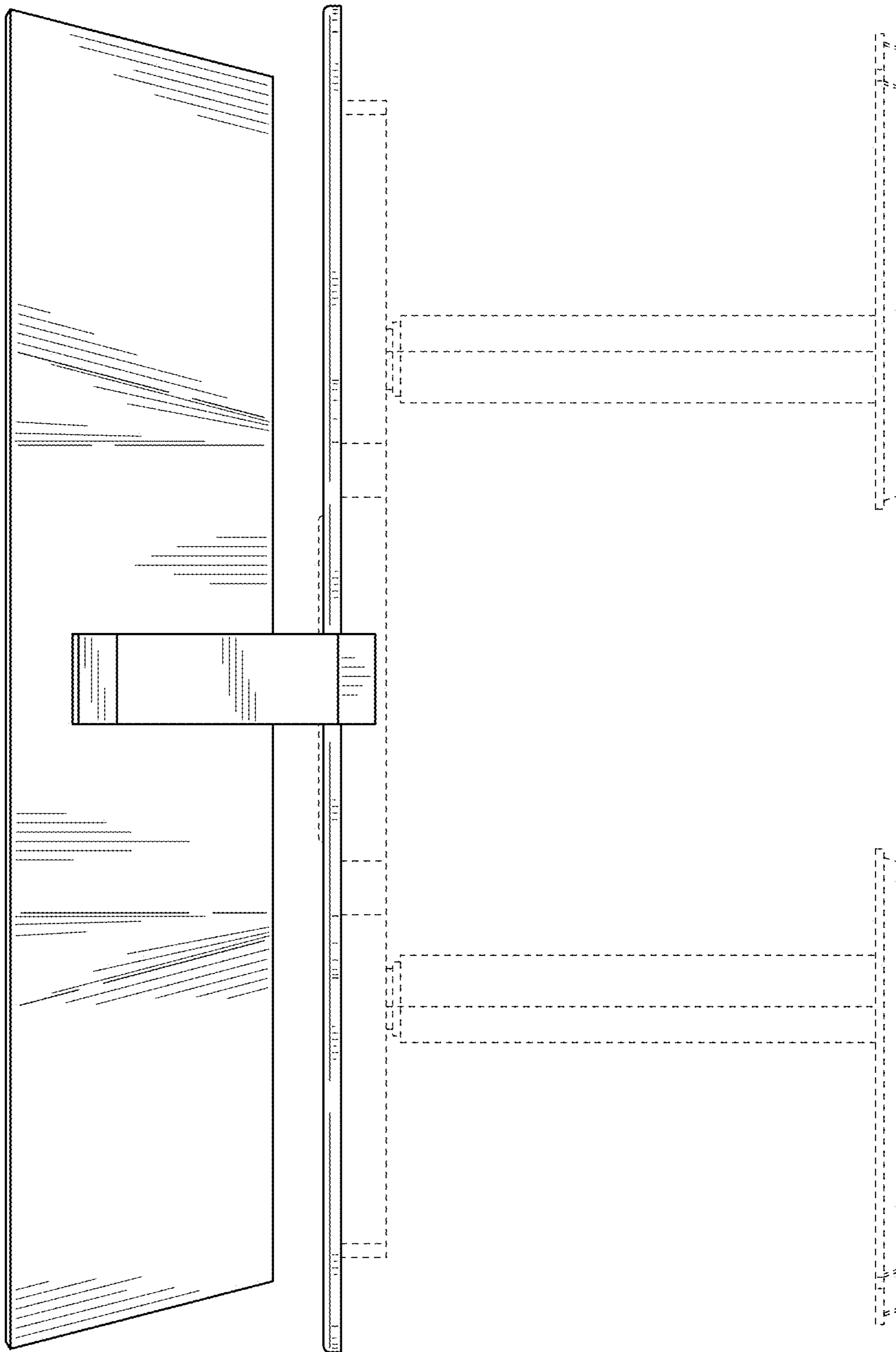


FIG. 3

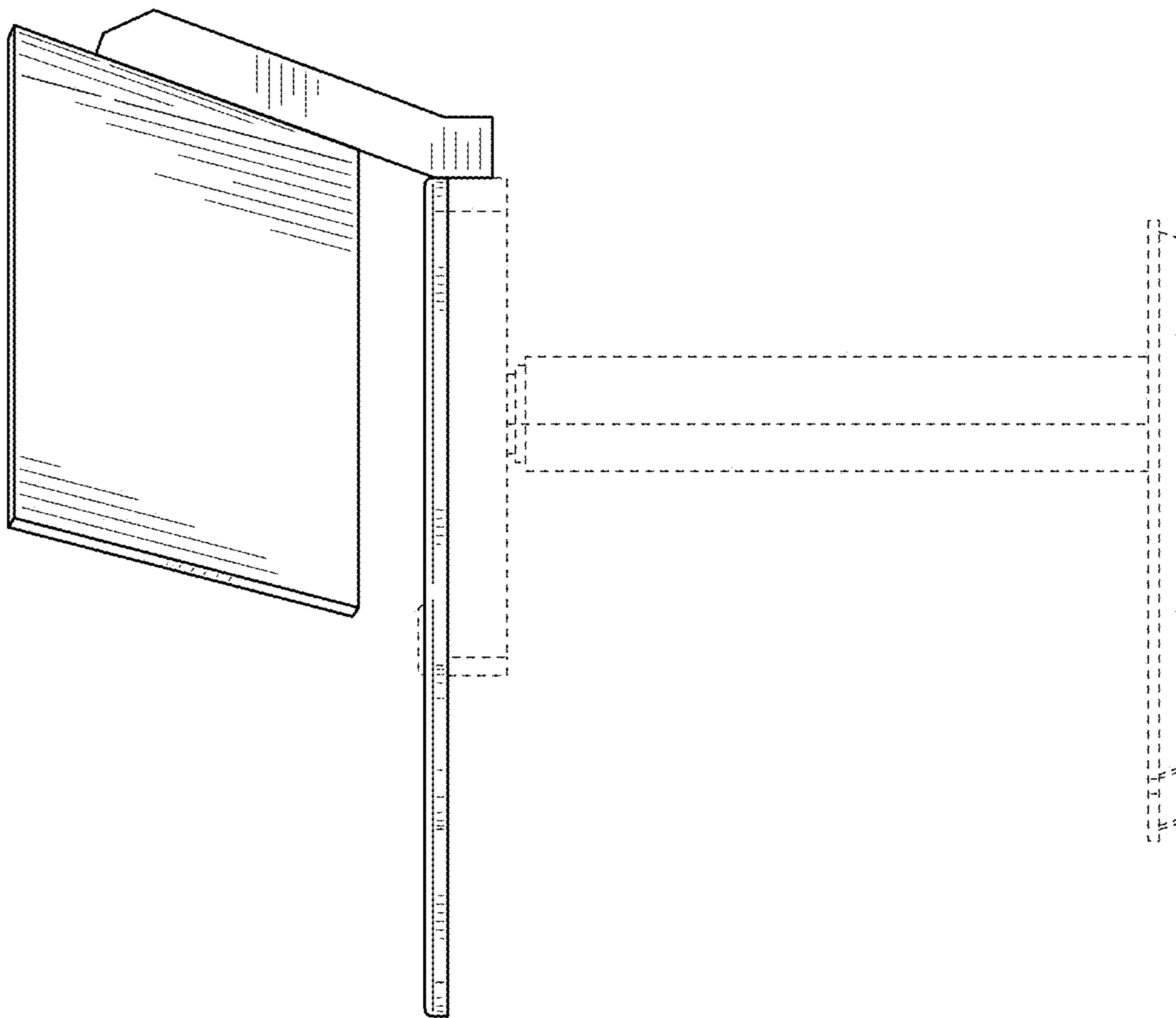


FIG. 4

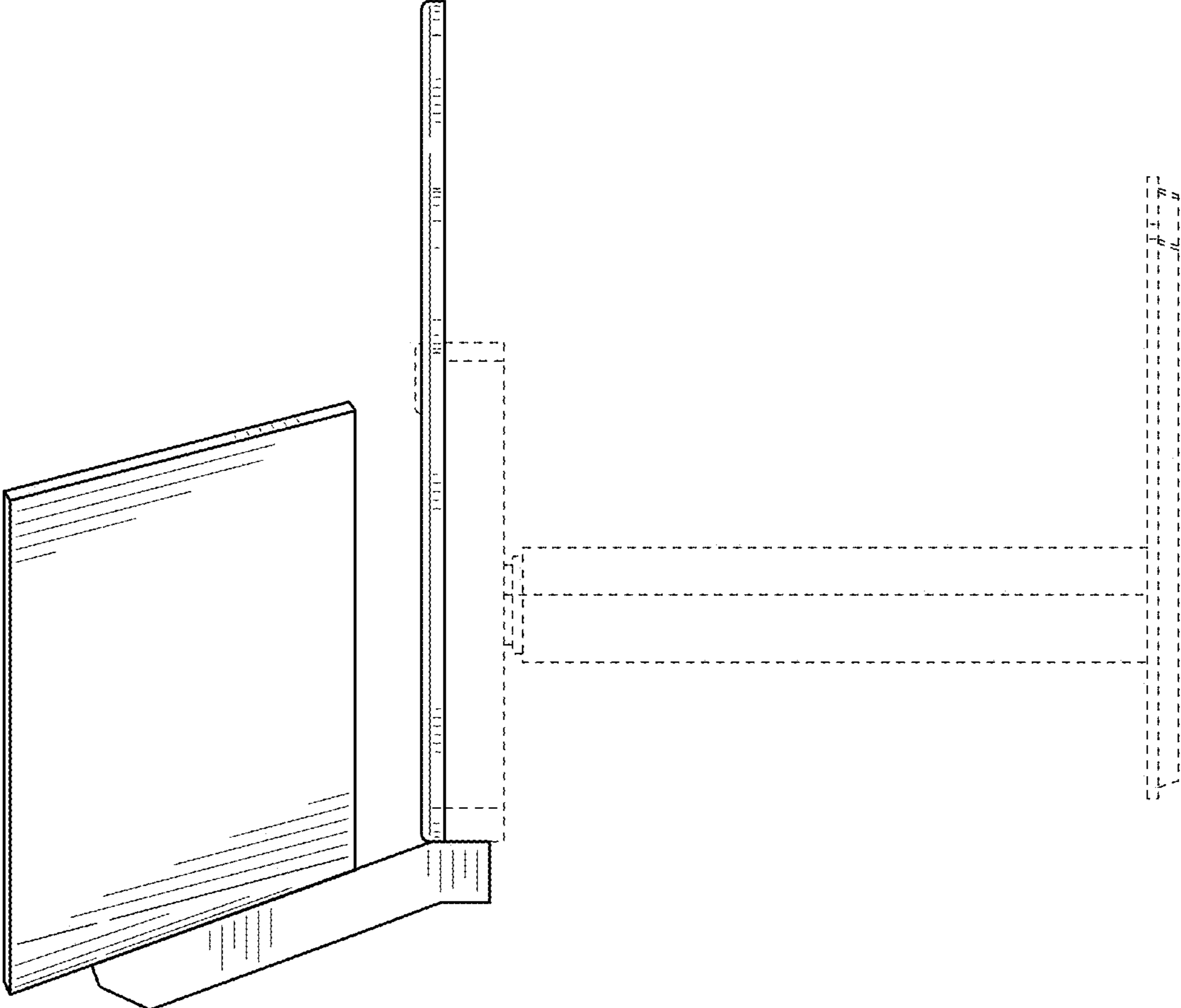


FIG. 5

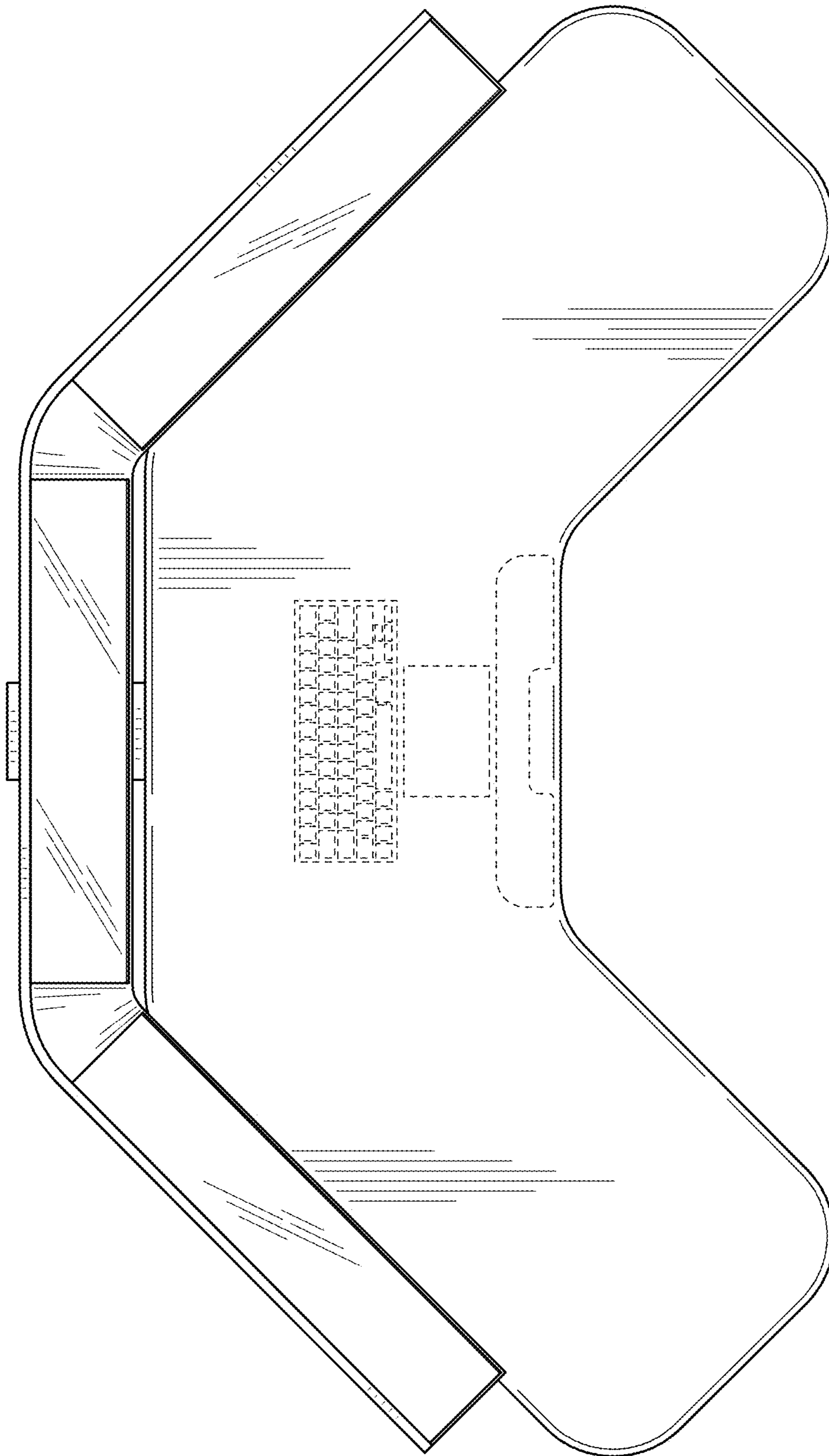


FIG. 6

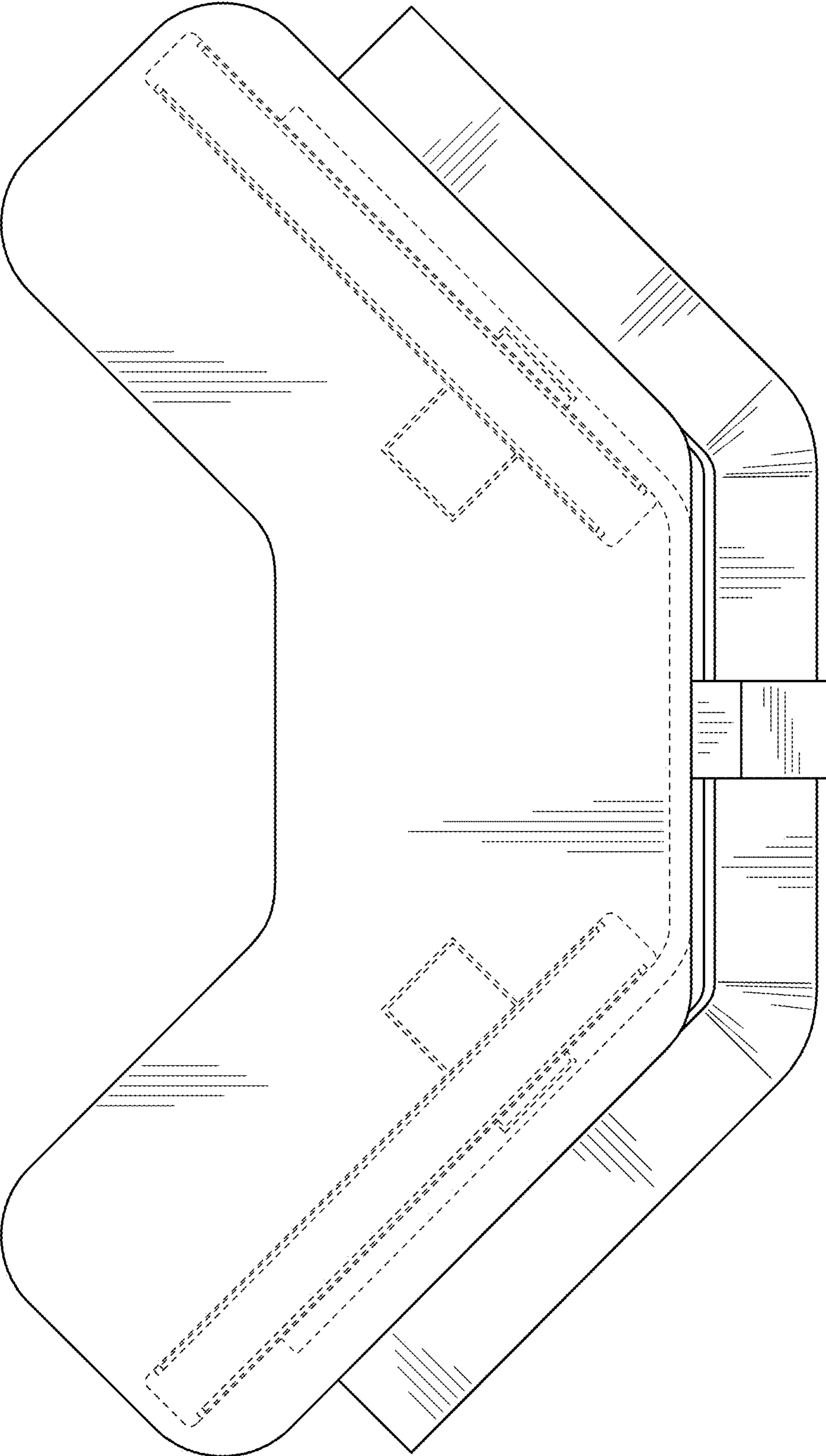


FIG. 7

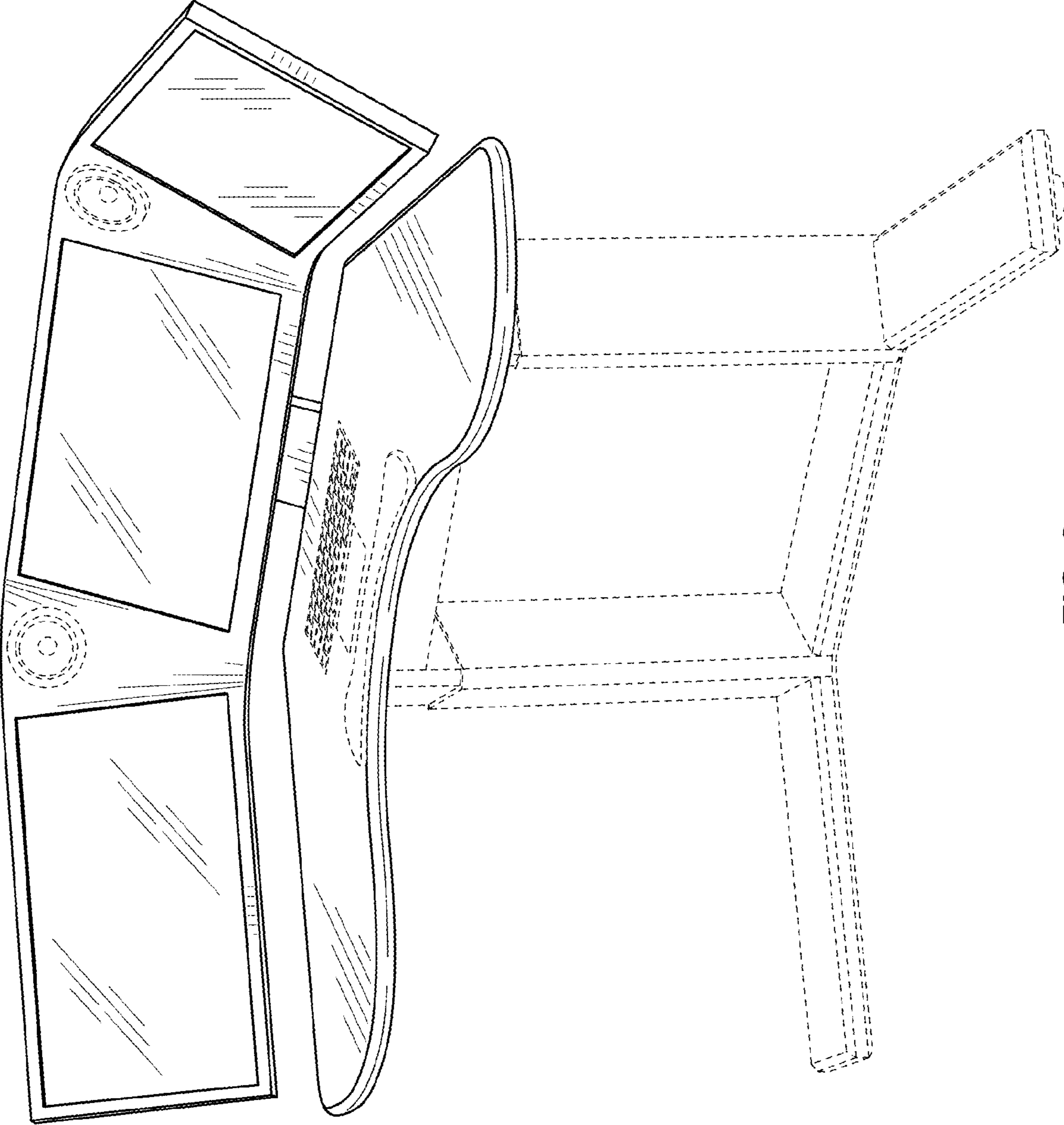


FIG. 8

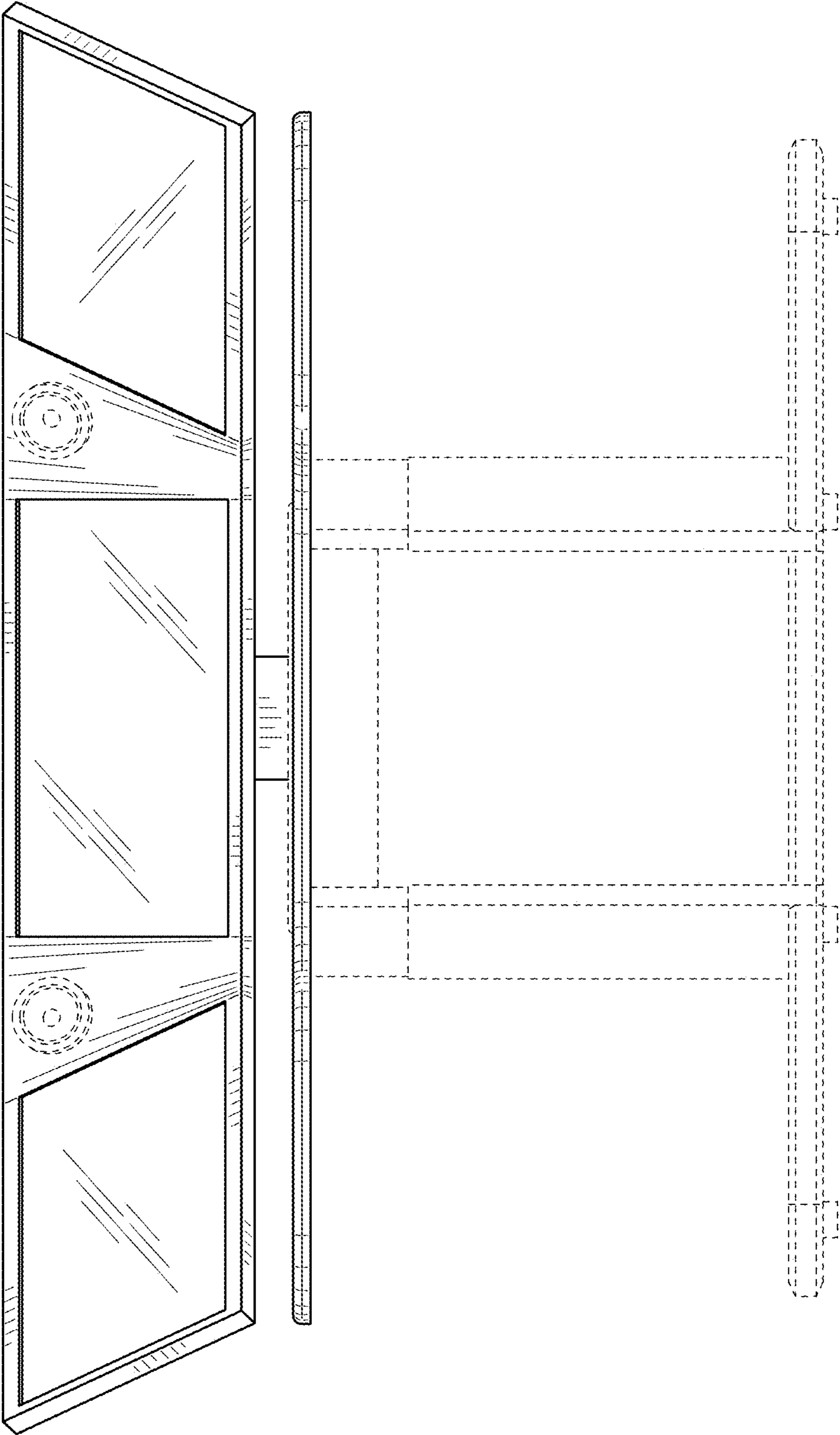


FIG. 9

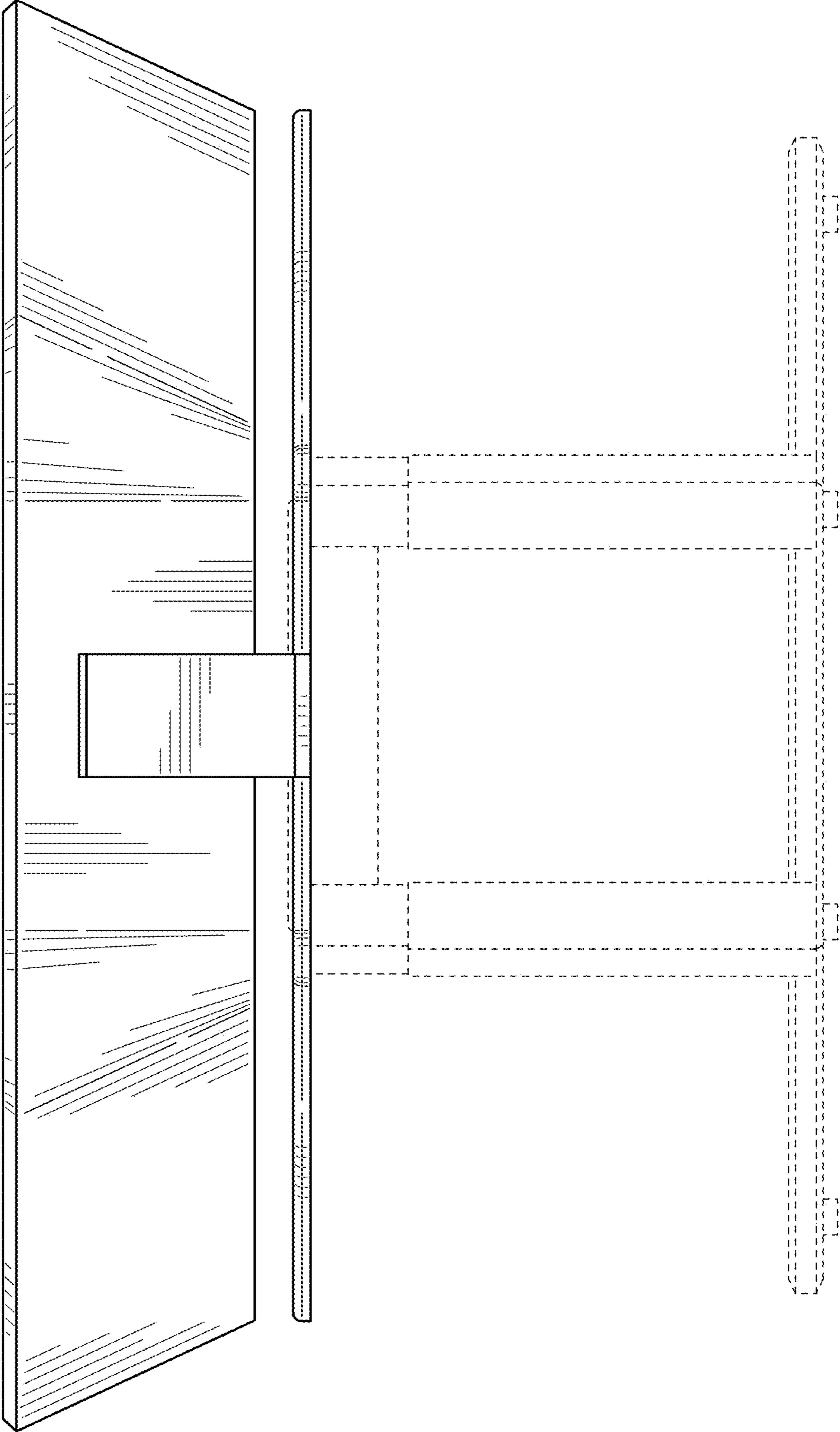


FIG. 10

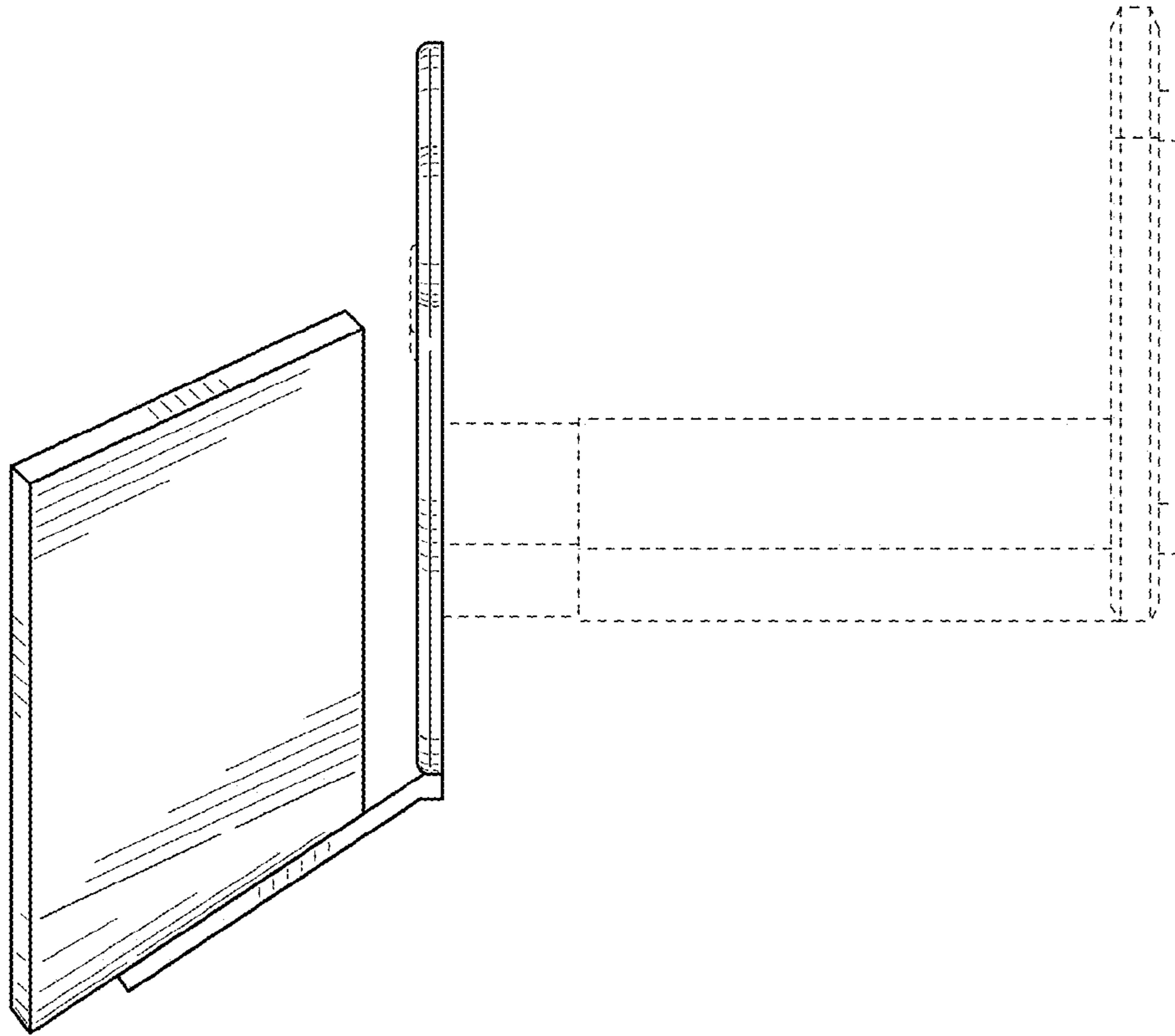


FIG. 11

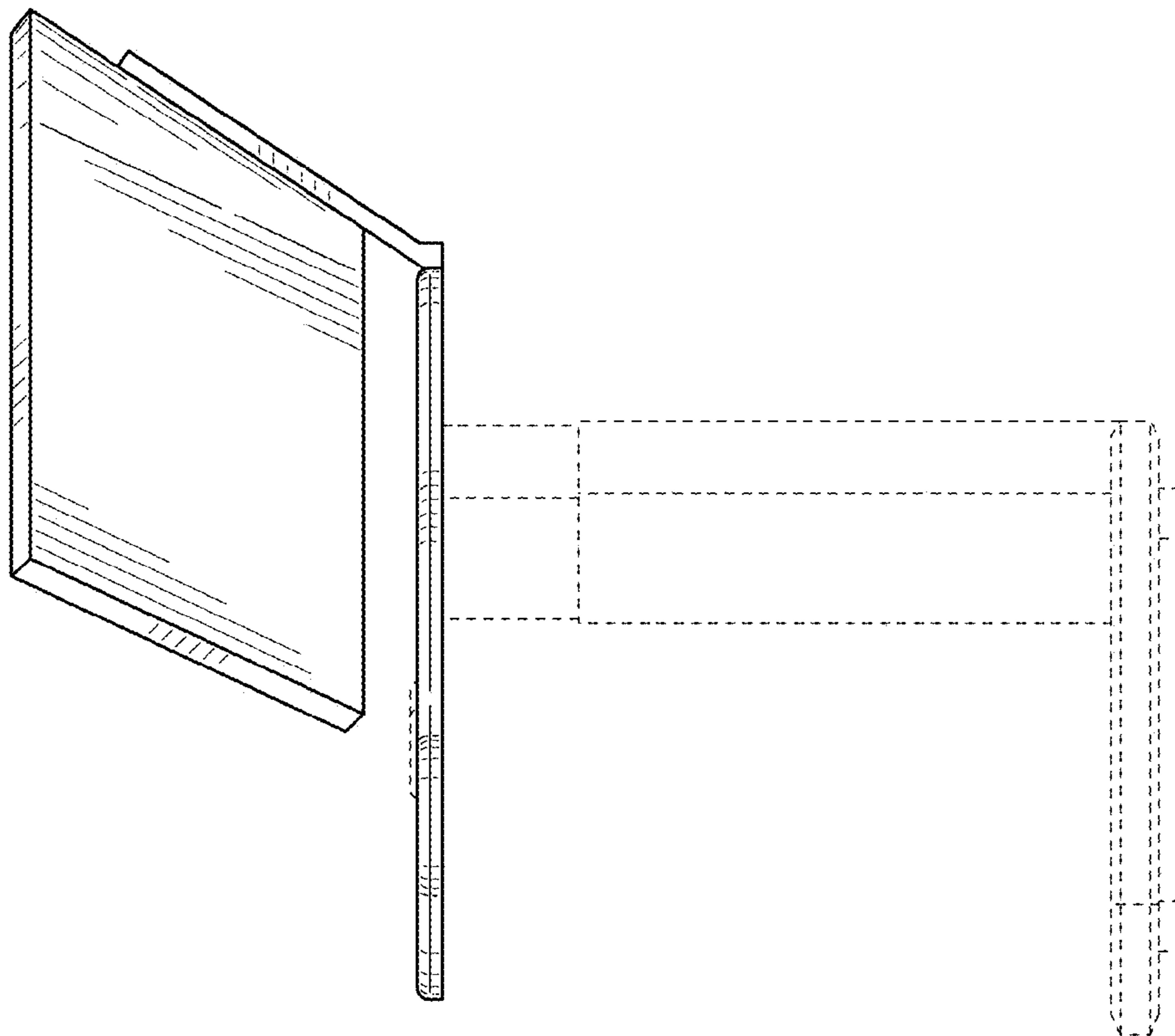


FIG. 12

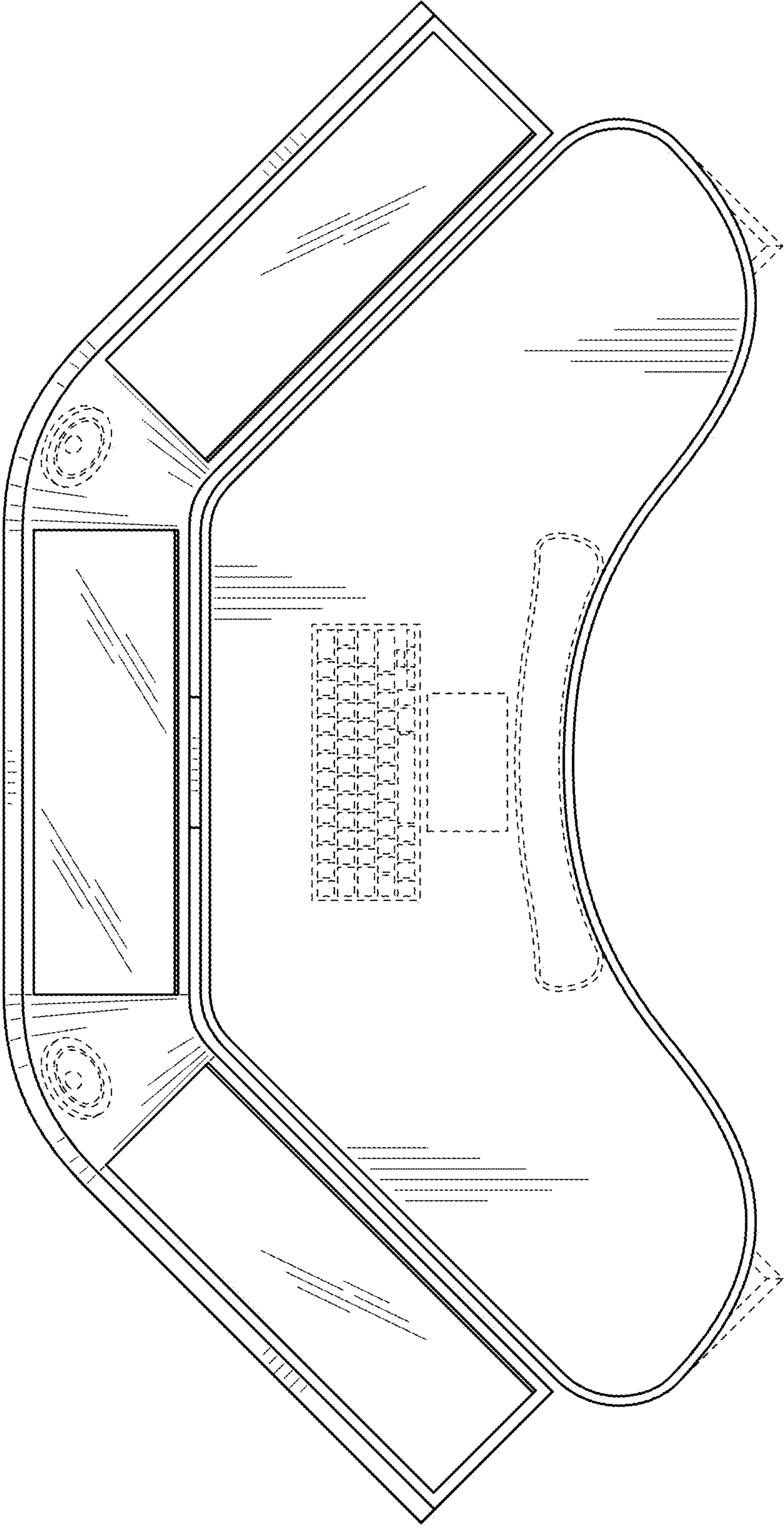


FIG. 13

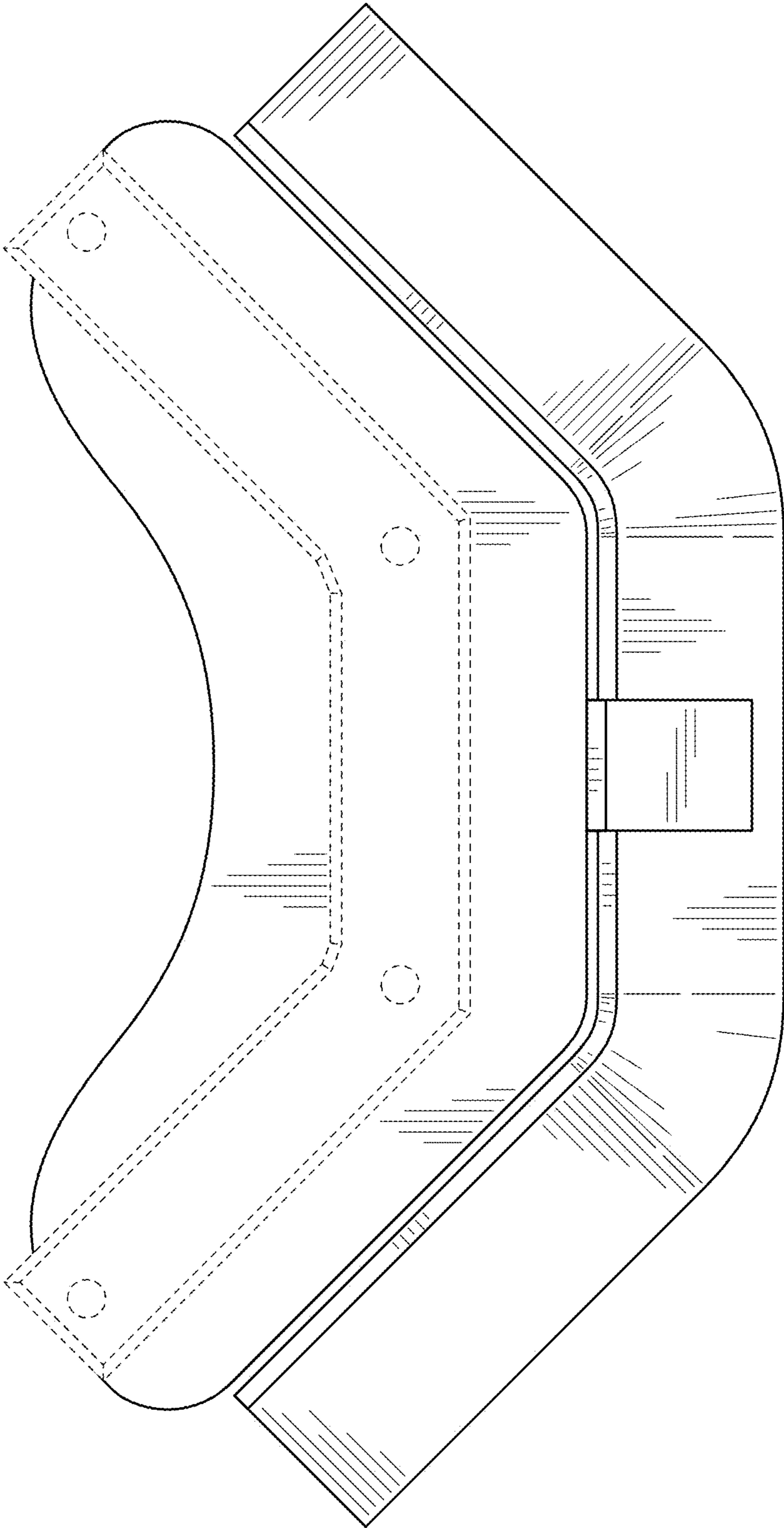


FIG. 14