



US00D883274S

(12) **United States Design Patent**  
**Liu**

(10) **Patent No.:** **US D883,274 S**

(45) **Date of Patent:** **\*\* May 5, 2020**

(54) **MOBILE GAMING CLIP**

(71) Applicant: **MIJOY LIMITED**, Hong Kong (CN)

(72) Inventor: **Yuanyuan Liu**, Shenzhen (CN)

(73) Assignee: **MIJOY LIMITED**, Hong Kong (CN)

(\*\*) Term: **15 Years**

(21) Appl. No.: **29/718,529**

(22) Filed: **Dec. 26, 2019**

(51) **LOC (12) Cl.** ..... **14-03**

(52) **U.S. Cl.**

USPC ..... **D14/253**

(58) **Field of Classification Search**

USPC ..... D14/251-253, 447, 452, 432-434, 440;  
D12/415; D3/218

CPC ..... H04M 1/02; H04M 1/04; B60R 11/02;  
F16M 11/00; F16M 11/04; F16M 11/06

See application file for complete search history.

(56) **References Cited**

**U.S. PATENT DOCUMENTS**

D784,977 S	4/2017	Ormsbee et al.	
D840,388 S *	2/2019	Wieth	D14/251
D840,994 S *	2/2019	Balmer	D14/253
D840,995 S	2/2019	Balmer	
D854,006 S *	7/2019	Wang	D14/253
D854,537 S *	7/2019	Ackeret	D14/253
D867,355 S *	11/2019	Chun	D14/253

**OTHER PUBLICATIONS**

Onesing Mobile Gaming Clip, Amazon, reviewed on Jan. 18, 2020, <[https://www.amazon.com/Controller-Foldable-Smartphone-Microsoft-Steelseries/dp/B0825XJ3NQ/ref=cm\\_cr\\_arp\\_d\\_product\\_top?ie=UTF8](https://www.amazon.com/Controller-Foldable-Smartphone-Microsoft-Steelseries/dp/B0825XJ3NQ/ref=cm_cr_arp_d_product_top?ie=UTF8)> (Year: 2020).\*

\* cited by examiner

*Primary Examiner* — Janice Hallmark

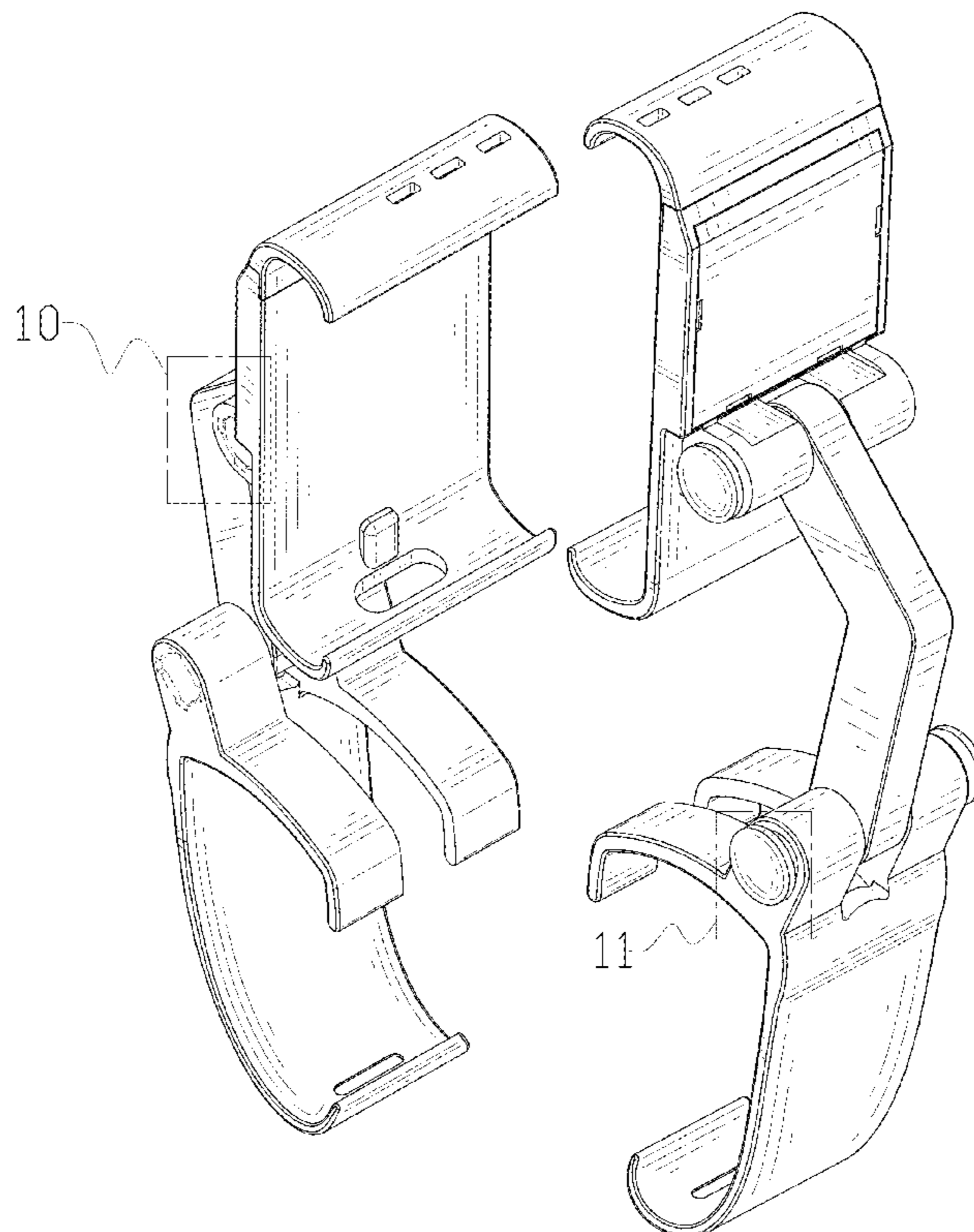
(57) **CLAIM**

The ornamental design for a mobile gaming clip, as shown and described.

**DESCRIPTION**

FIG. 1 is a perspective view of a mobile gaming clip showing my new design; FIG. 2 is another perspective thereof; FIG. 3 is a front elevational view thereof; FIG. 4 is a rear elevational view thereof; FIG. 5 is a left side elevational view thereof; FIG. 6 is a right side elevational view thereof; FIG. 7 is a top plan view thereof; FIG. 8 is a bottom plan view thereof; FIG. 9 is a perspective view of the mobile gaming clip where the mobile gaming clip is in a configuration of use; FIG. 10 is an enlarged view of portion 10 shown in FIG. 1; and, FIG. 11 is an enlarged view of portion 11 shown in FIG. 2. The broken lines in the drawings depict portions of the mobile gaming clip that form no part of the claimed design.

**1 Claim, 11 Drawing Sheets**



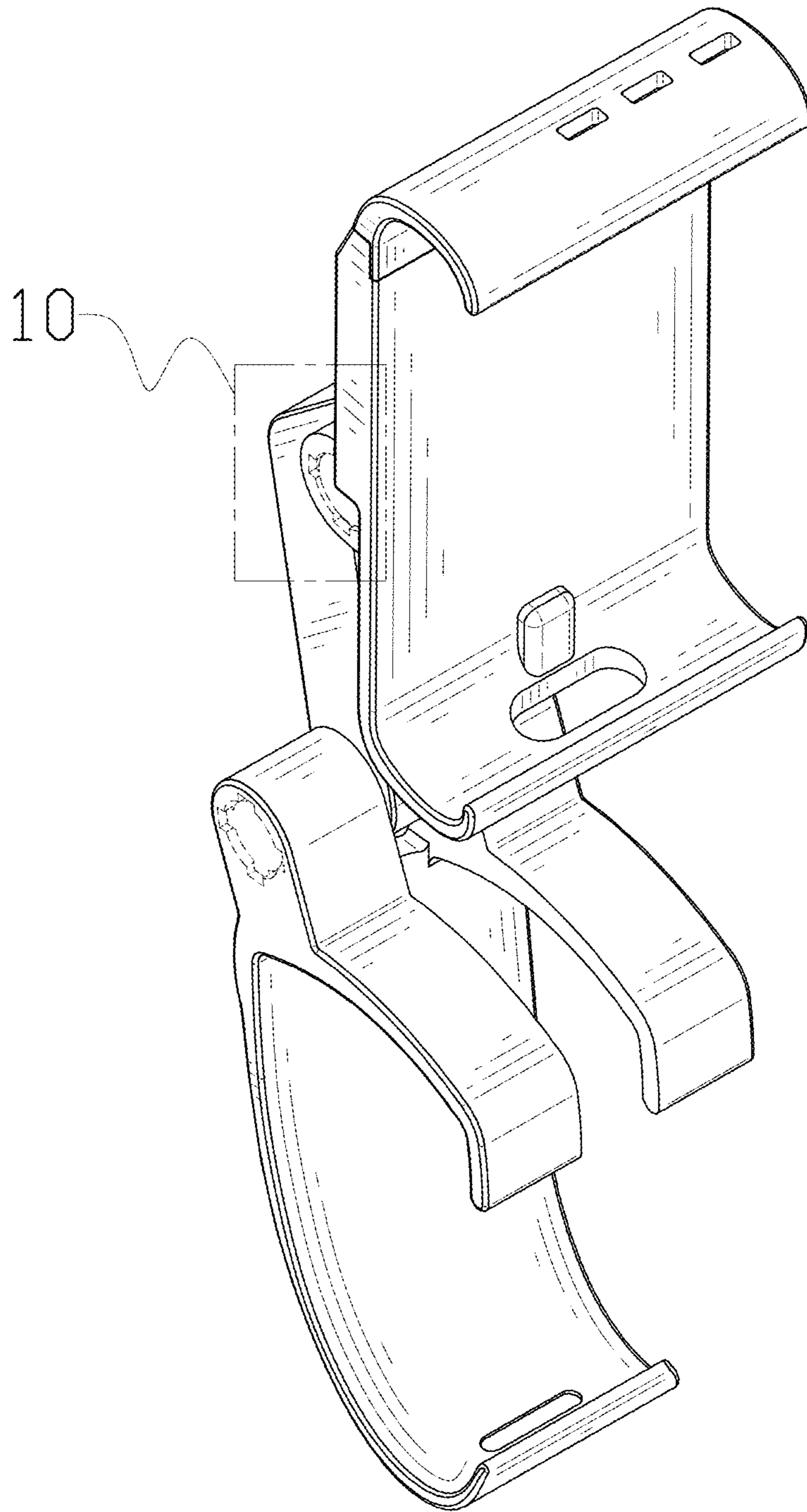
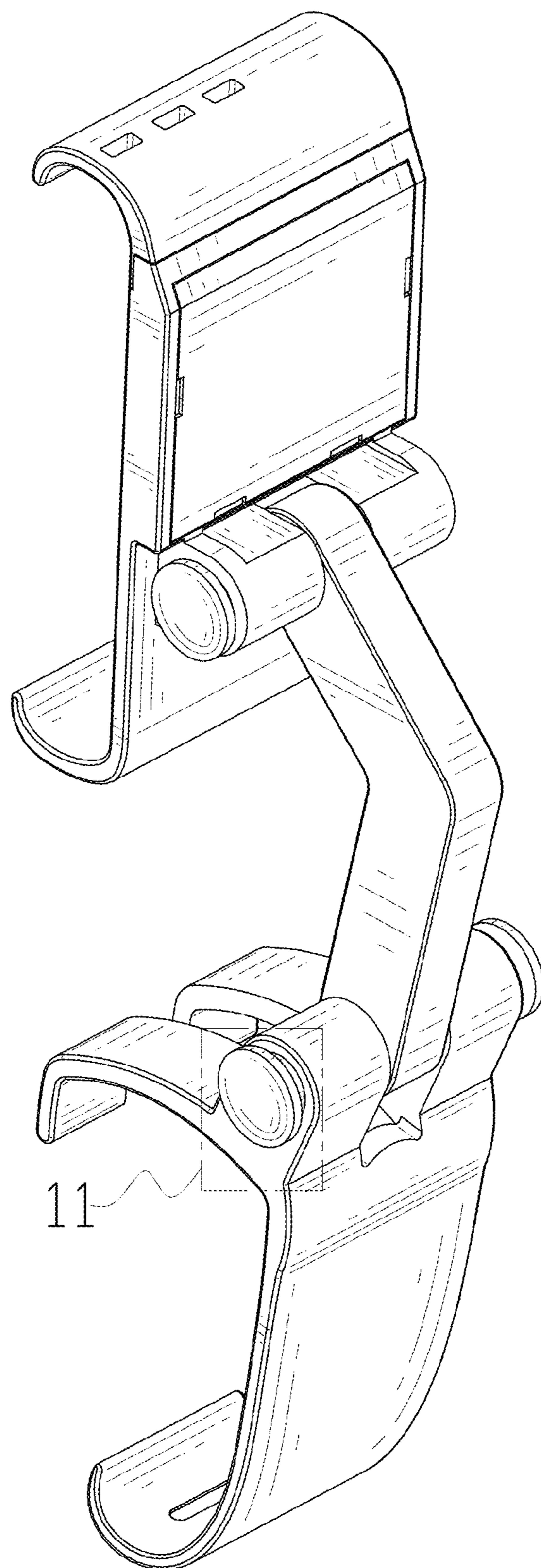


FIG. 1



11

FIG. 2

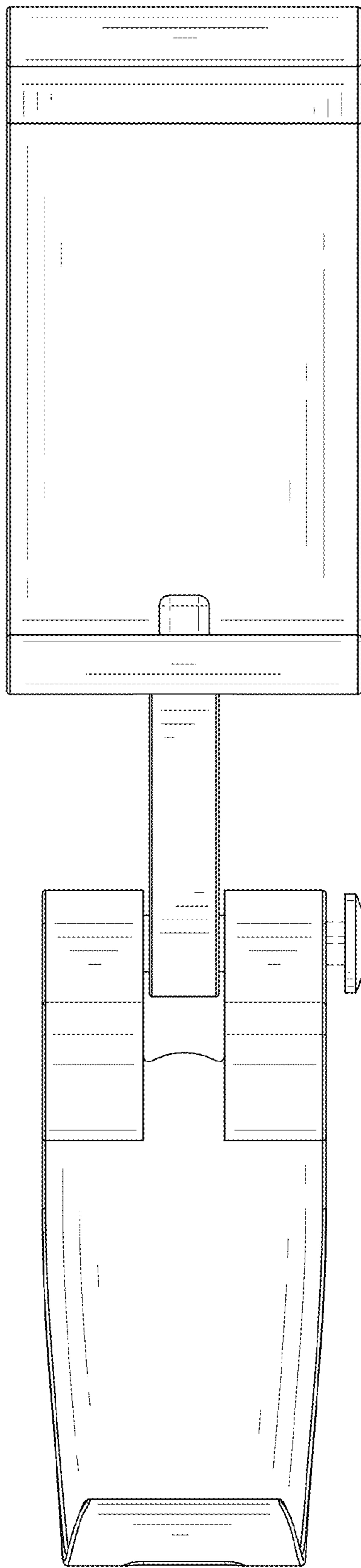


FIG. 3

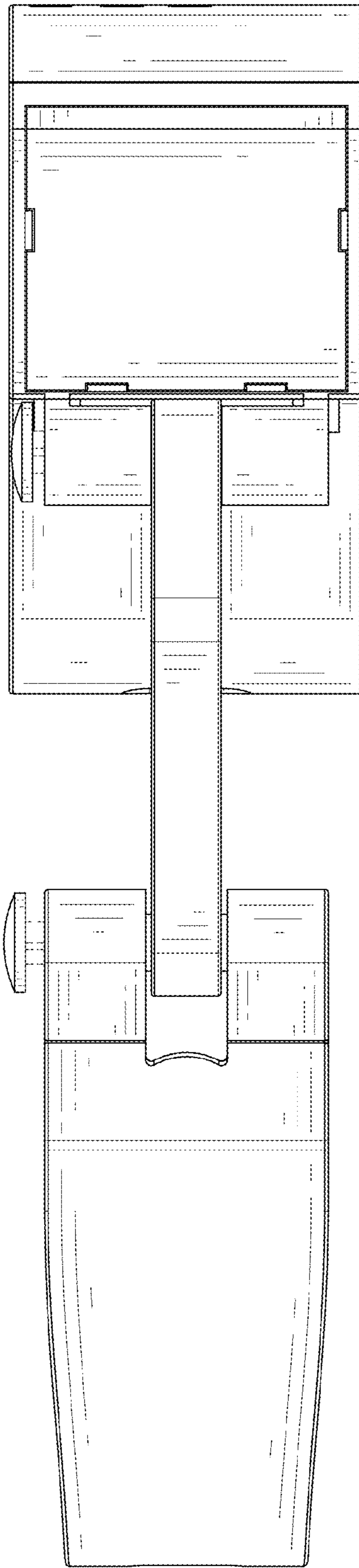


FIG. 4

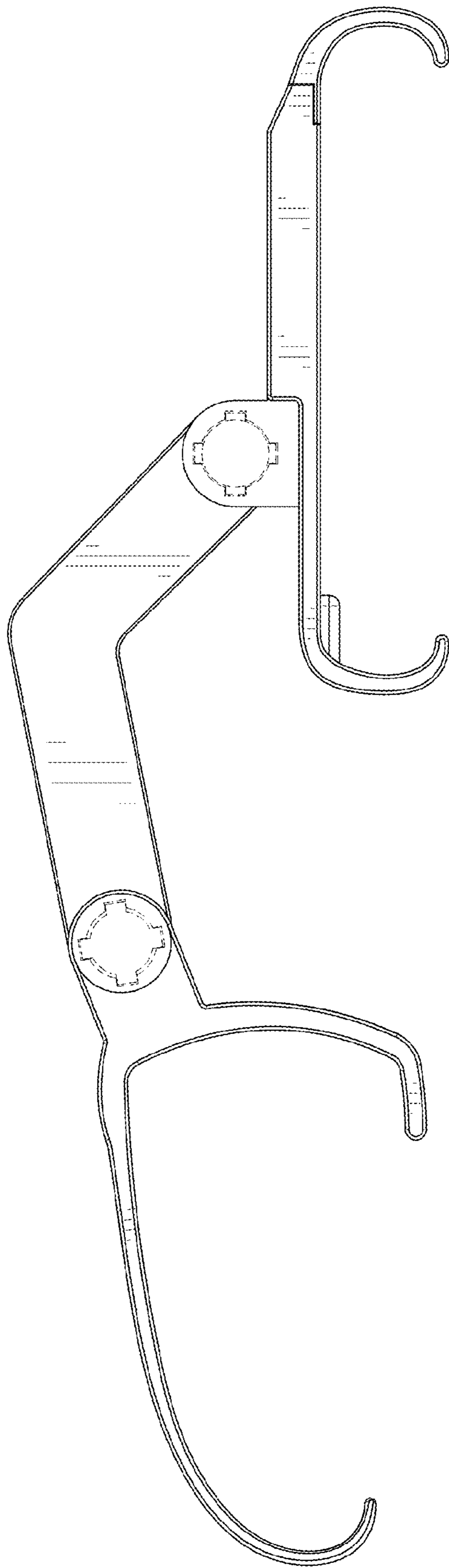


FIG. 5

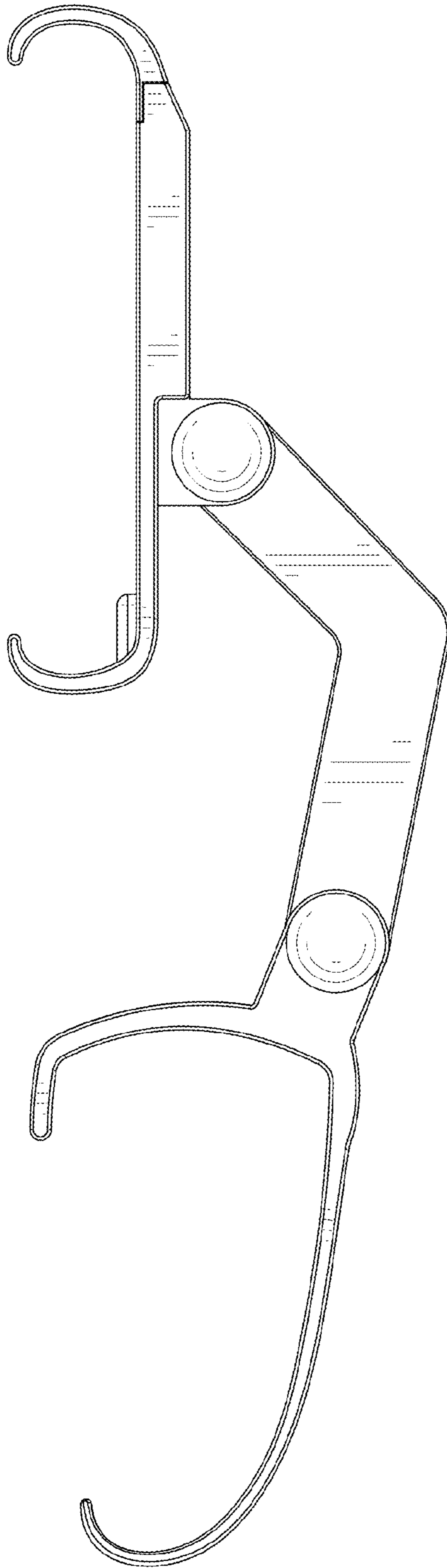


FIG. 6

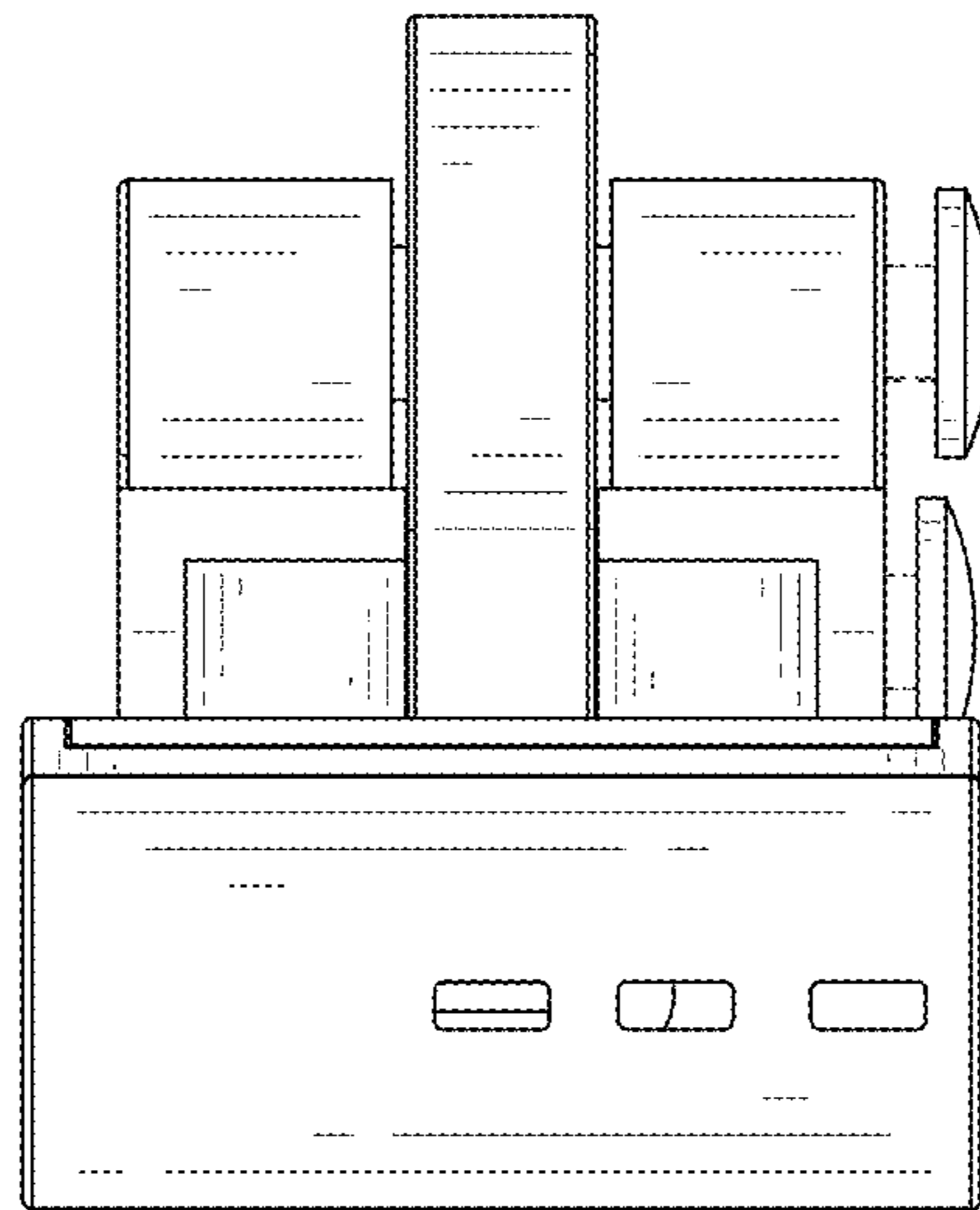


FIG. 7



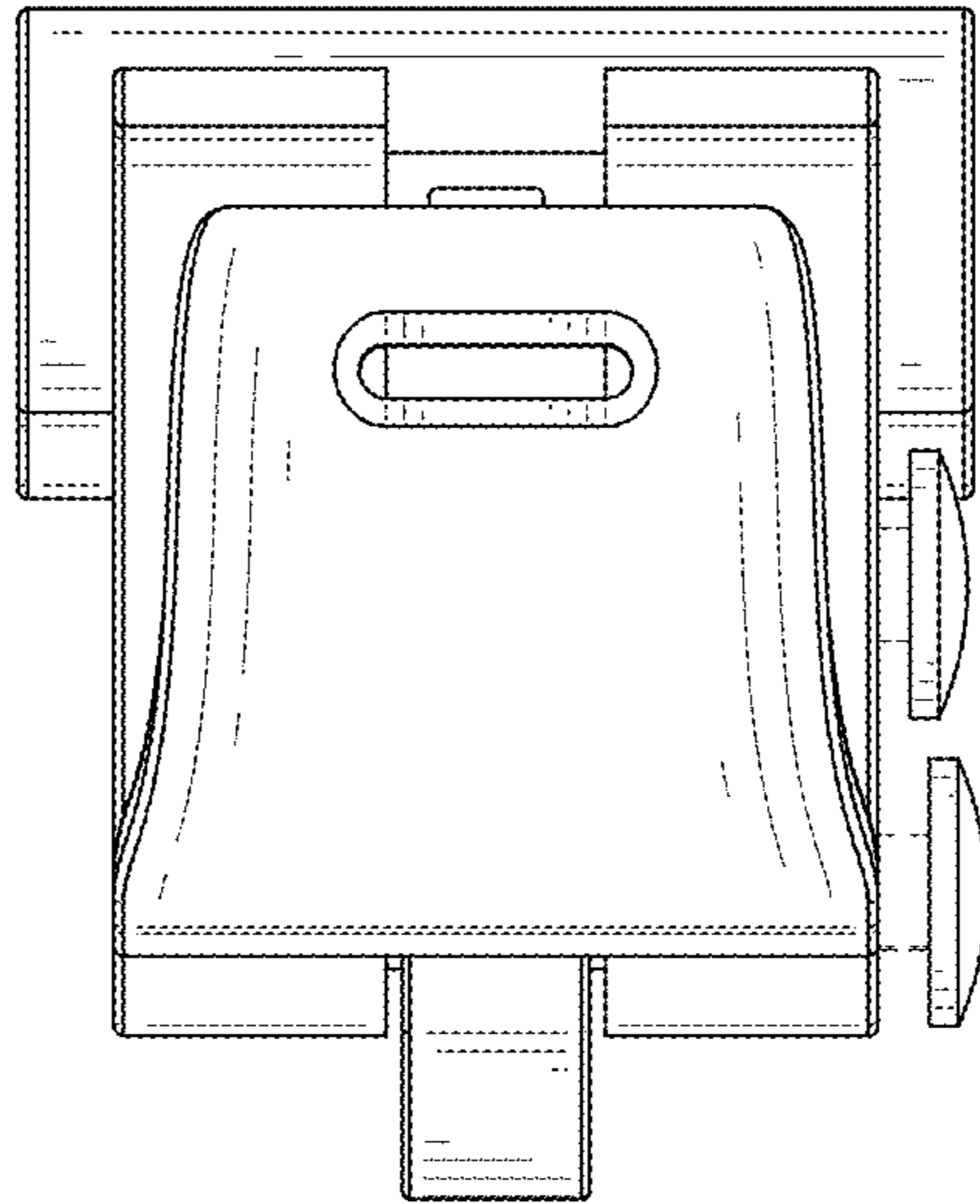


FIG. 8

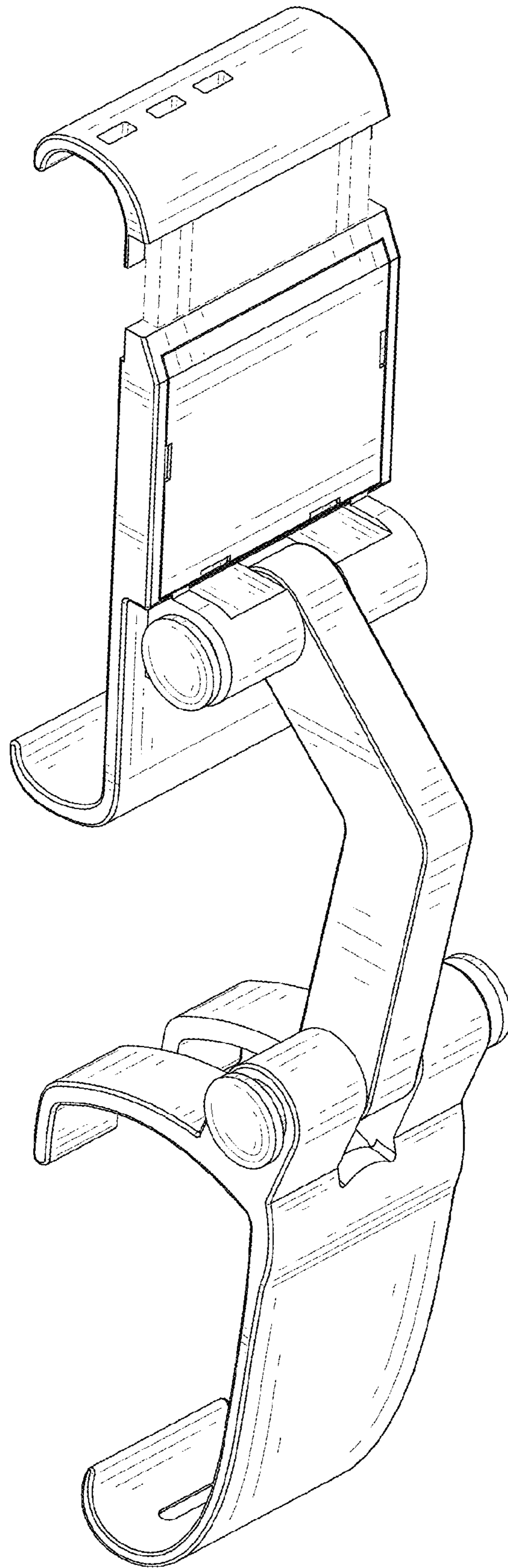


FIG. 9

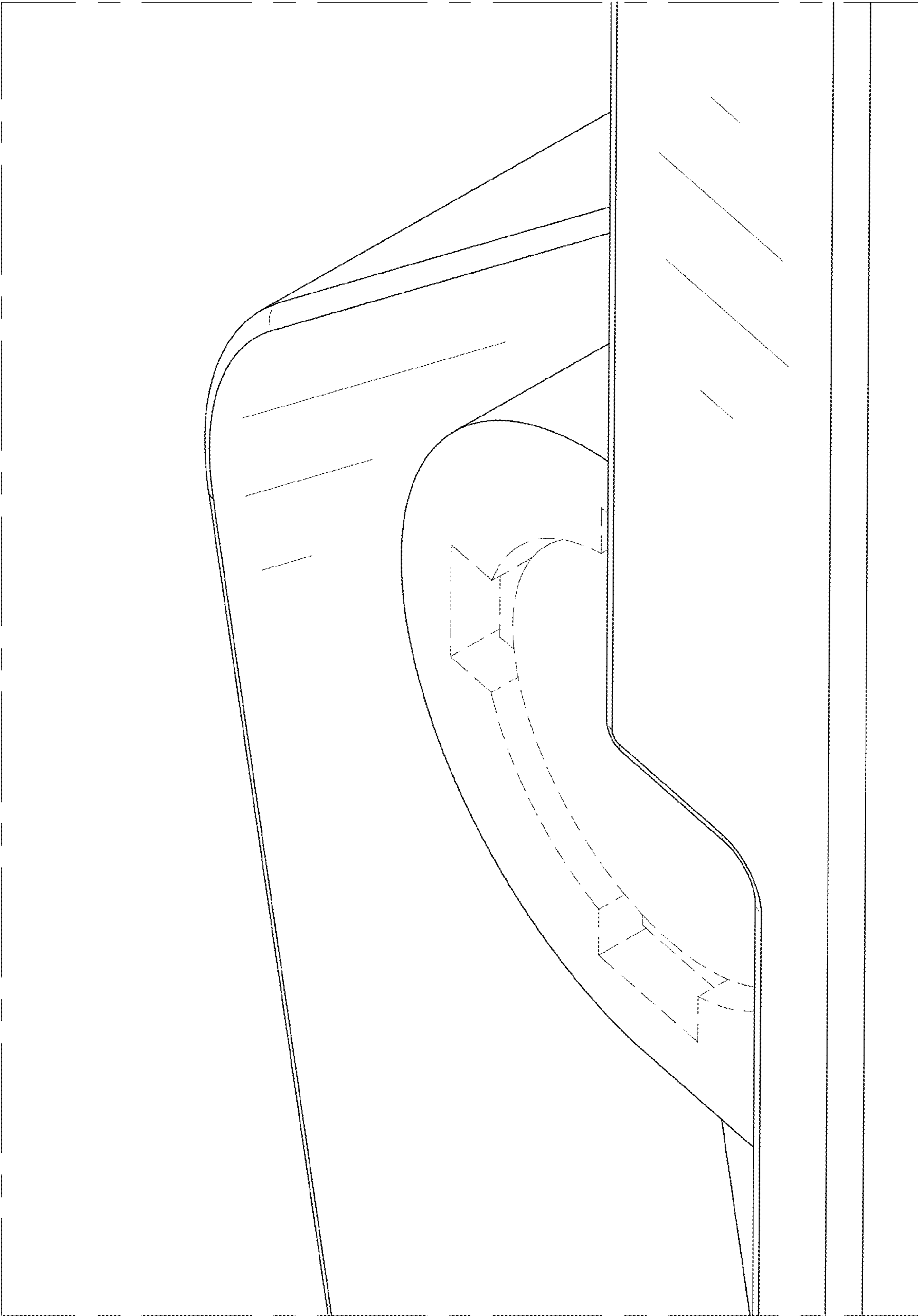


FIG. 10

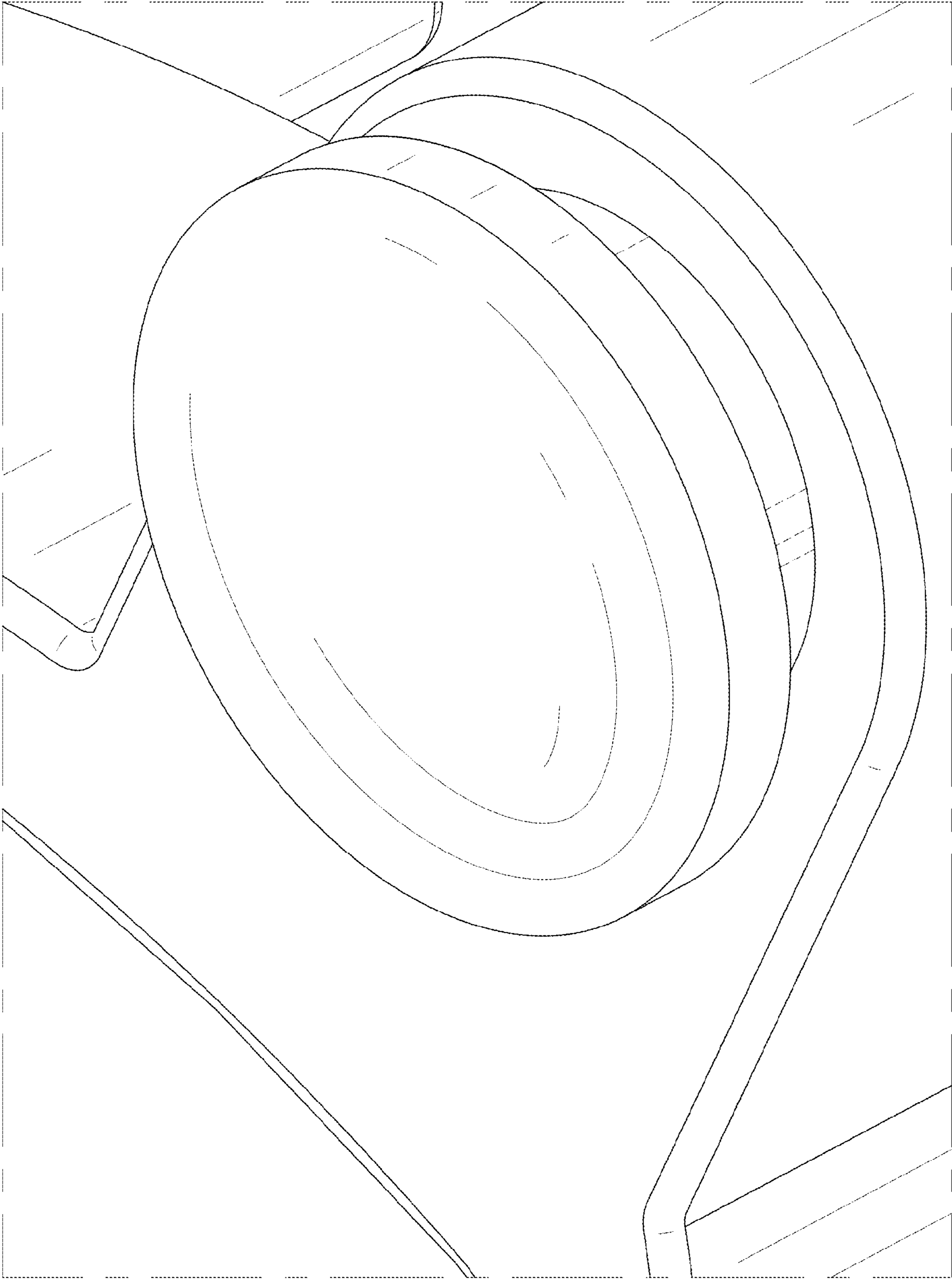


FIG. 11