



US00D883273S

(12) **United States Design Patent**
Chen

(10) **Patent No.:** **US D883,273 S**

(45) **Date of Patent:** **** May 5, 2020**

(54) **FOLDING STAND FOR MOBILE PHONE**

(71) Applicant: **Shaoyou Chen**, Shantou (CN)

(72) Inventor: **Shaoyou Chen**, Shantou (CN)

(**) Term: **15 Years**

(21) Appl. No.: **29/680,627**

(22) Filed: **Feb. 19, 2019**

(51) **LOC (12) Cl.** **14-03**

(52) **U.S. Cl.**
USPC **D14/253**

(58) **Field of Classification Search**
USPC D14/251-253, 447, 452; D12/415;
D3/218; D8/349, 363; D6/656.11,
D6/656.12, 656.13, 656.15, 656.16, 655,
D6/655.1, 675.1
CPC H04M 1/02; H04M 1/04; B60R 11/02;
F16M 11/00; F16M 11/04; F16M 11/06
See application file for complete search history.

(56) **References Cited**

U.S. PATENT DOCUMENTS

D722,305 S	*	2/2015	Lee	D14/217
D769,859 S	*	10/2016	Herbst	D14/253
D783,593 S	*	4/2017	Chen	D14/253
D784,978 S	*	4/2017	Hobbs	D14/253
D794,607 S	*	8/2017	Srouf	D14/217

D799,468 S	*	10/2017	Chen	D14/253
D807,339 S	*	1/2018	Lan	D14/253
D809,449 S	*	2/2018	Zhang	D12/415
D825,549 S	*	8/2018	Lebovitz	D14/253
D857,688 S	*	8/2019	Ren	D14/253
D861,599 S	*	10/2019	Choi	D13/108
D861,600 S	*	10/2019	Choi	D13/108
D862,453 S	*	10/2019	Liang	D14/253
D866,548 S	*	11/2019	Tan	D14/253
D871,490 S	*	12/2019	Wengreen	D16/242
D873,814 S	*	1/2020	Yang	D14/253
D873,897 S	*	1/2020	Wengreen	D16/242

* cited by examiner

Primary Examiner — Janice Hallmark

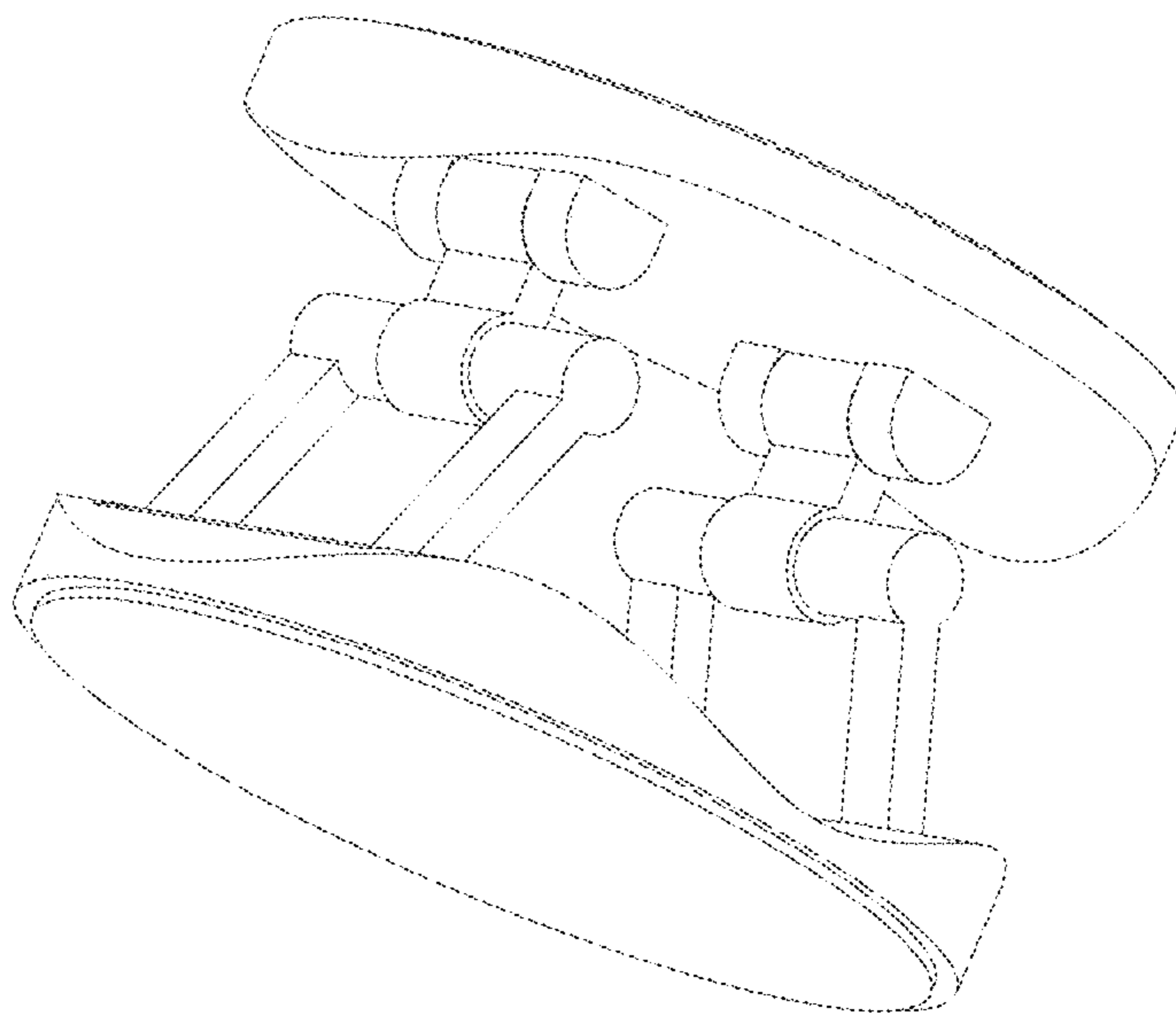
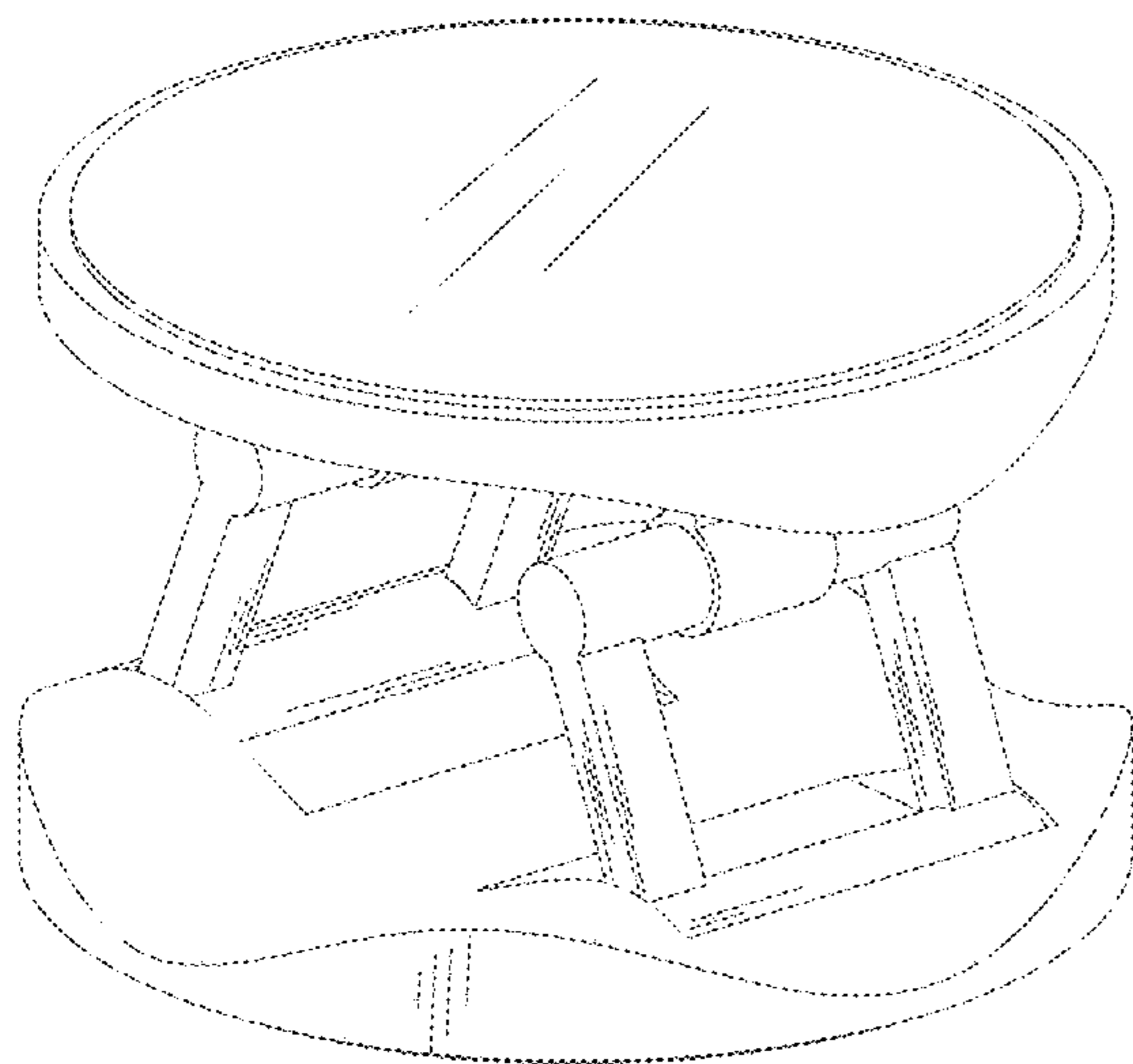
(57) **CLAIM**

The ornamental design for a folding stand for mobile phone, as shown and described.

DESCRIPTION

FIG. 1 is a perspective view of a folding stand for mobile phone showing my new design;
FIG. 2 is a perspective view of a folding stand for mobile phone showing my new design;
FIG. 3 is a top plan view thereof;
FIG. 4 is a rear elevational view thereof;
FIG. 5 is a bottom plan view thereof;
FIG. 6 is a right side view thereof;
FIG. 7 is a front elevational view thereof; and,
FIG. 8 is a left side view thereof.

1 Claim, 8 Drawing Sheets



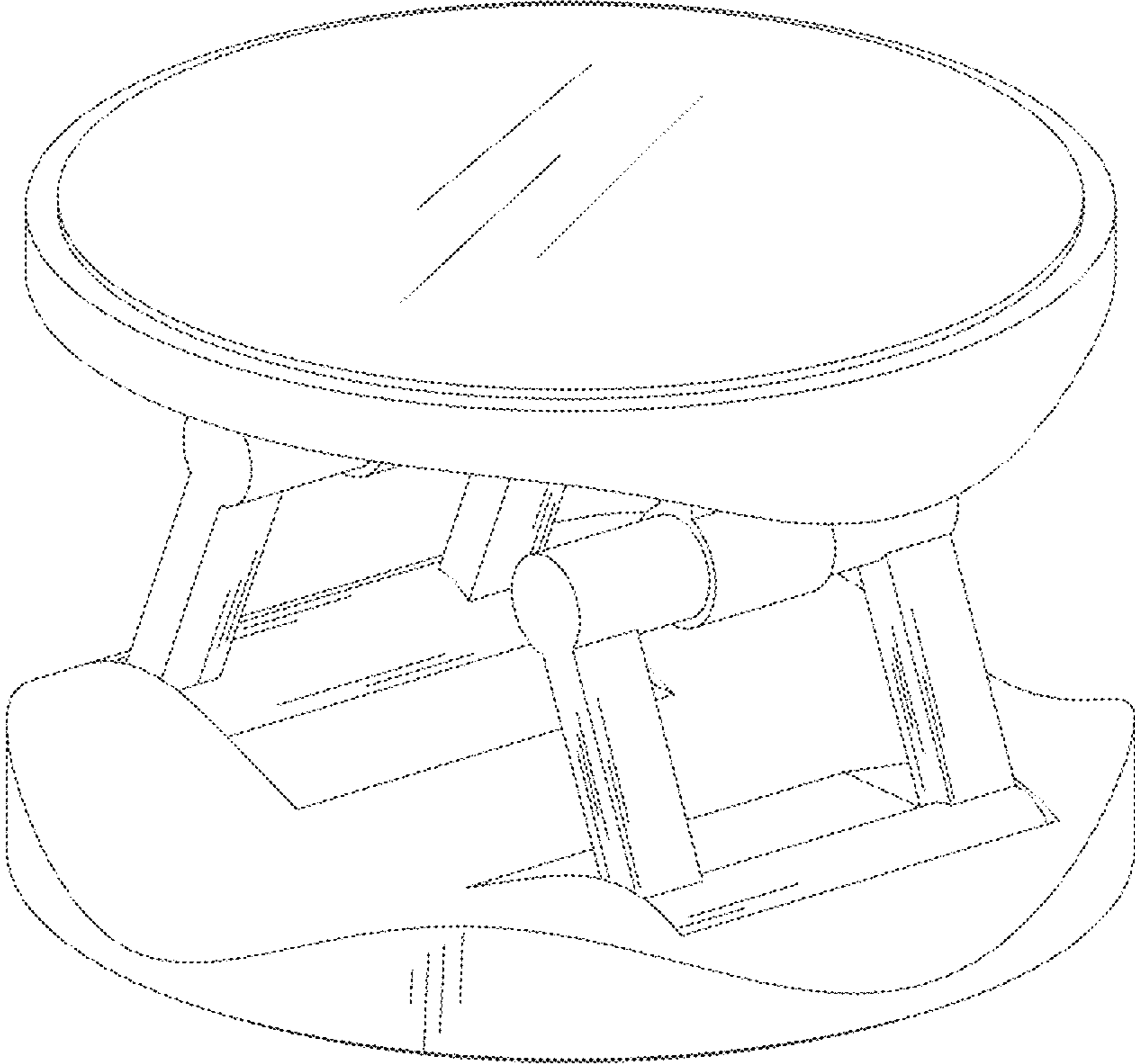


FIG.1

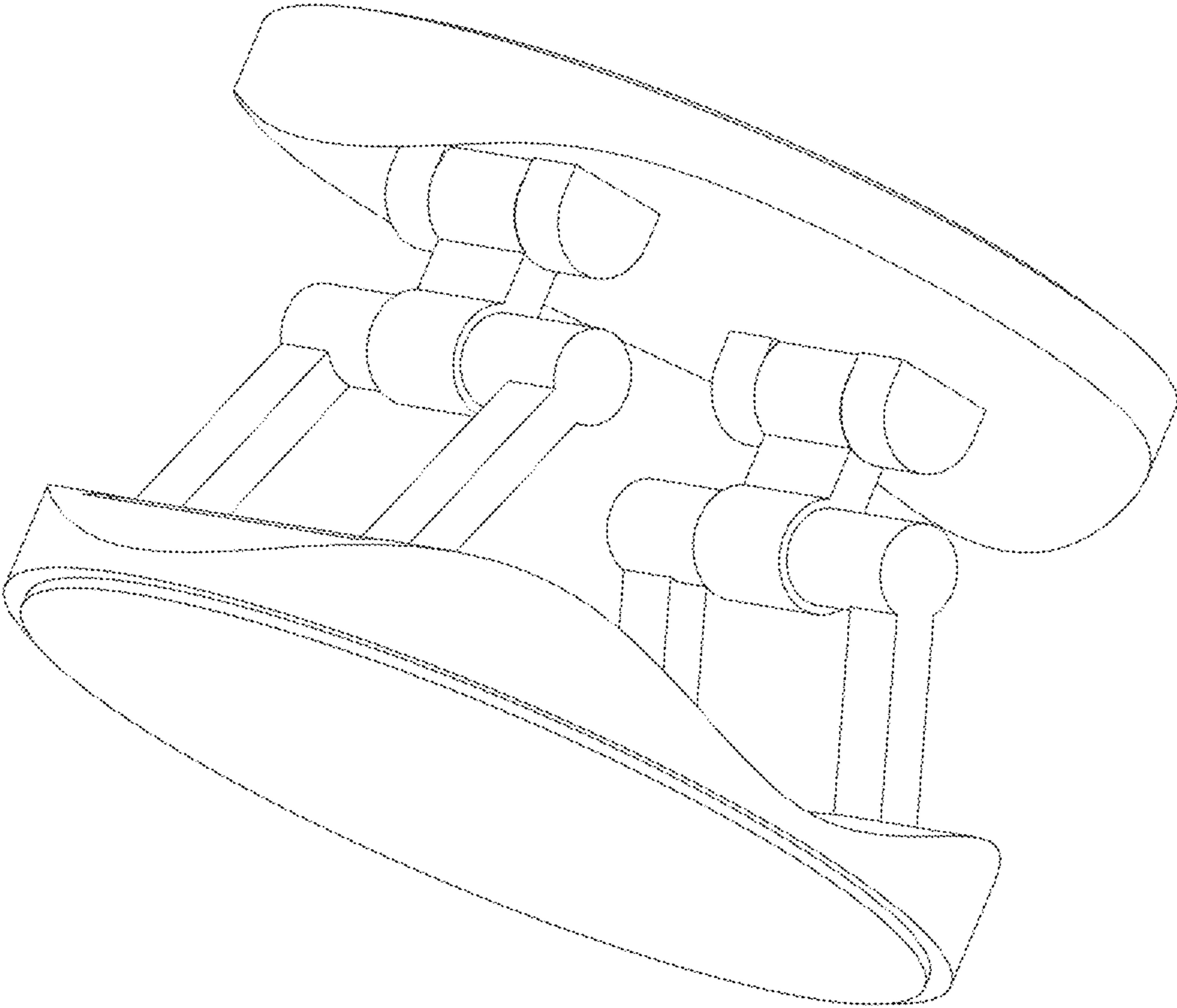


FIG.2

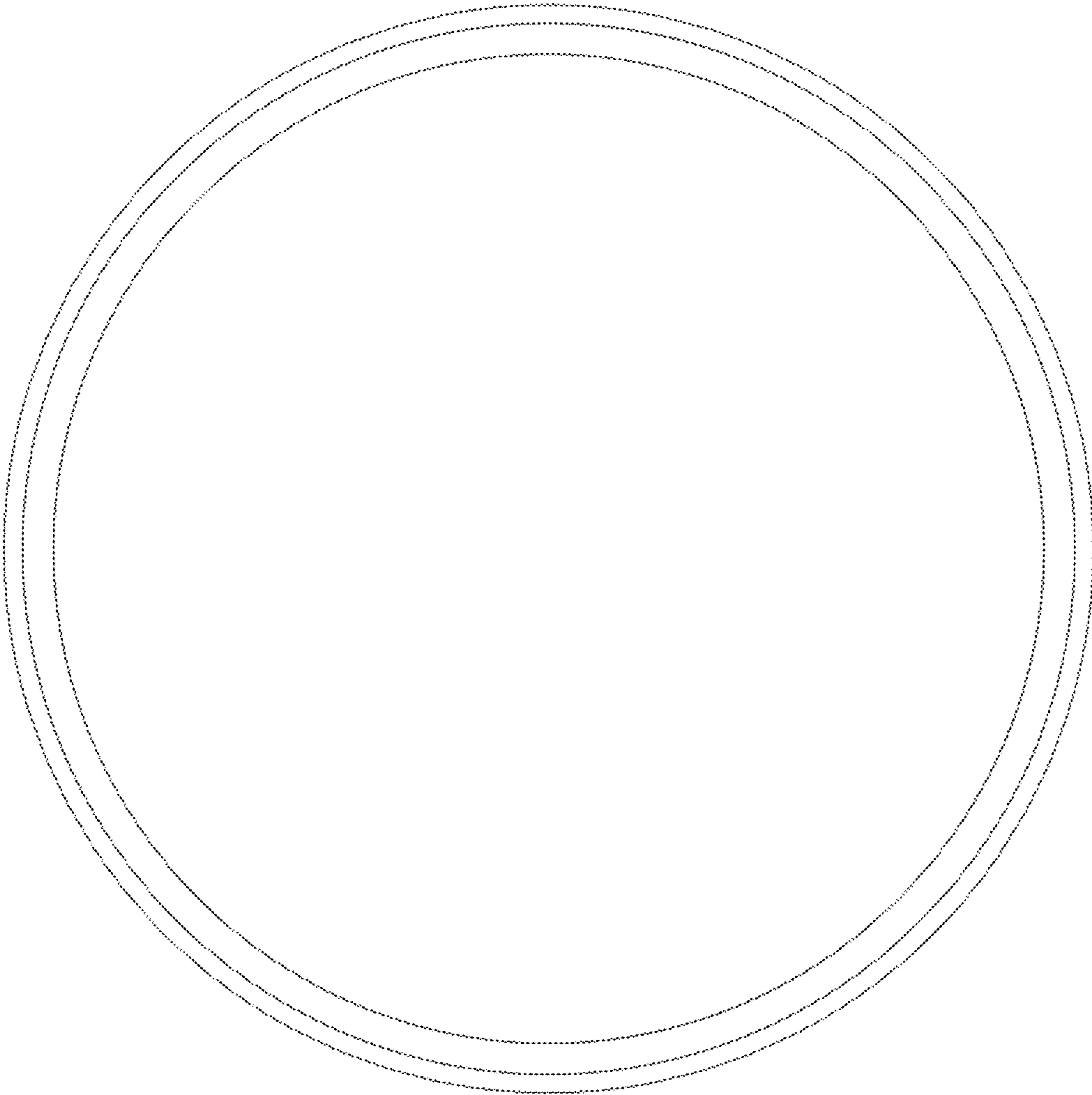


FIG.3

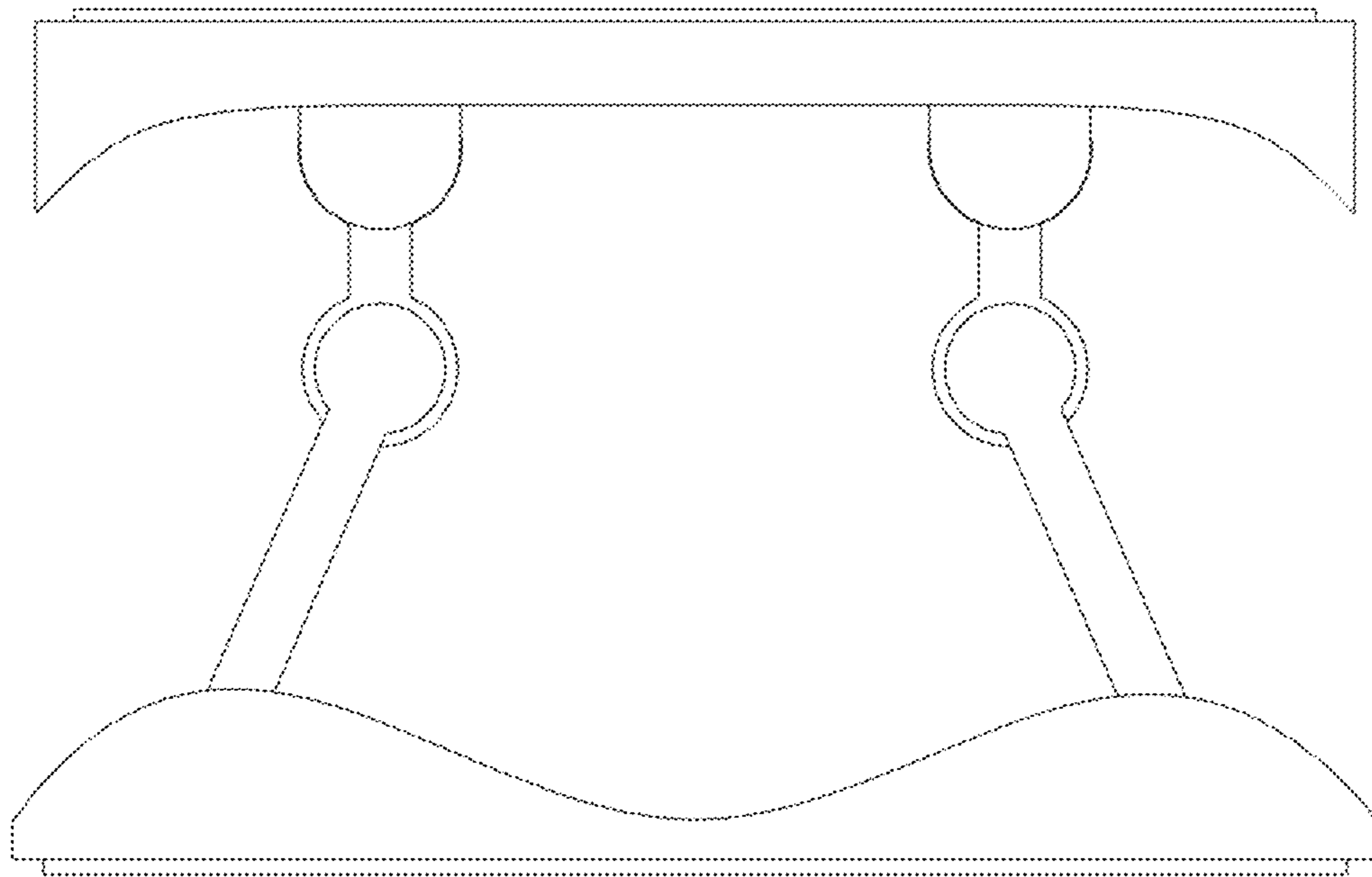


FIG.4

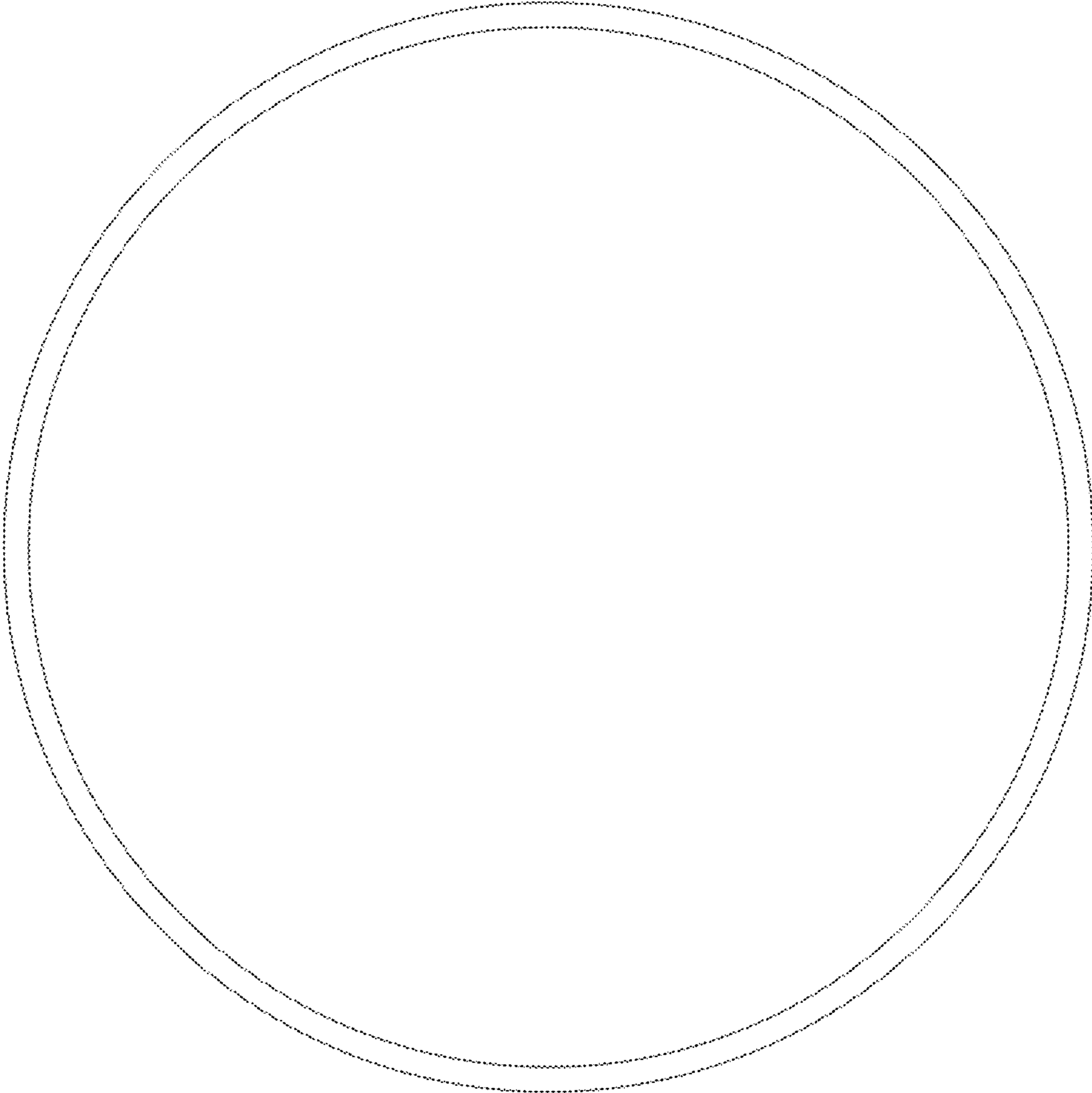


FIG.5

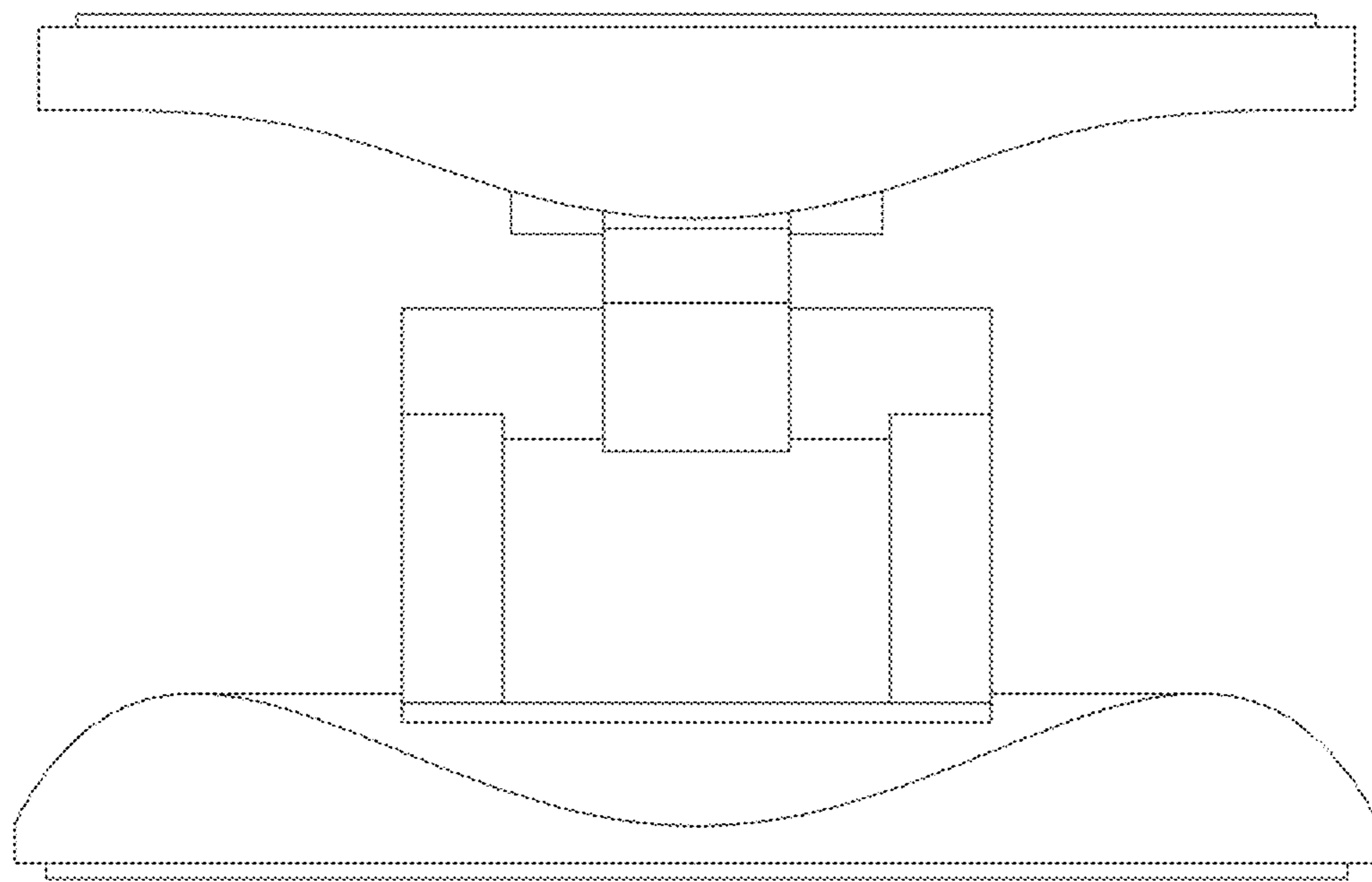


FIG. 6

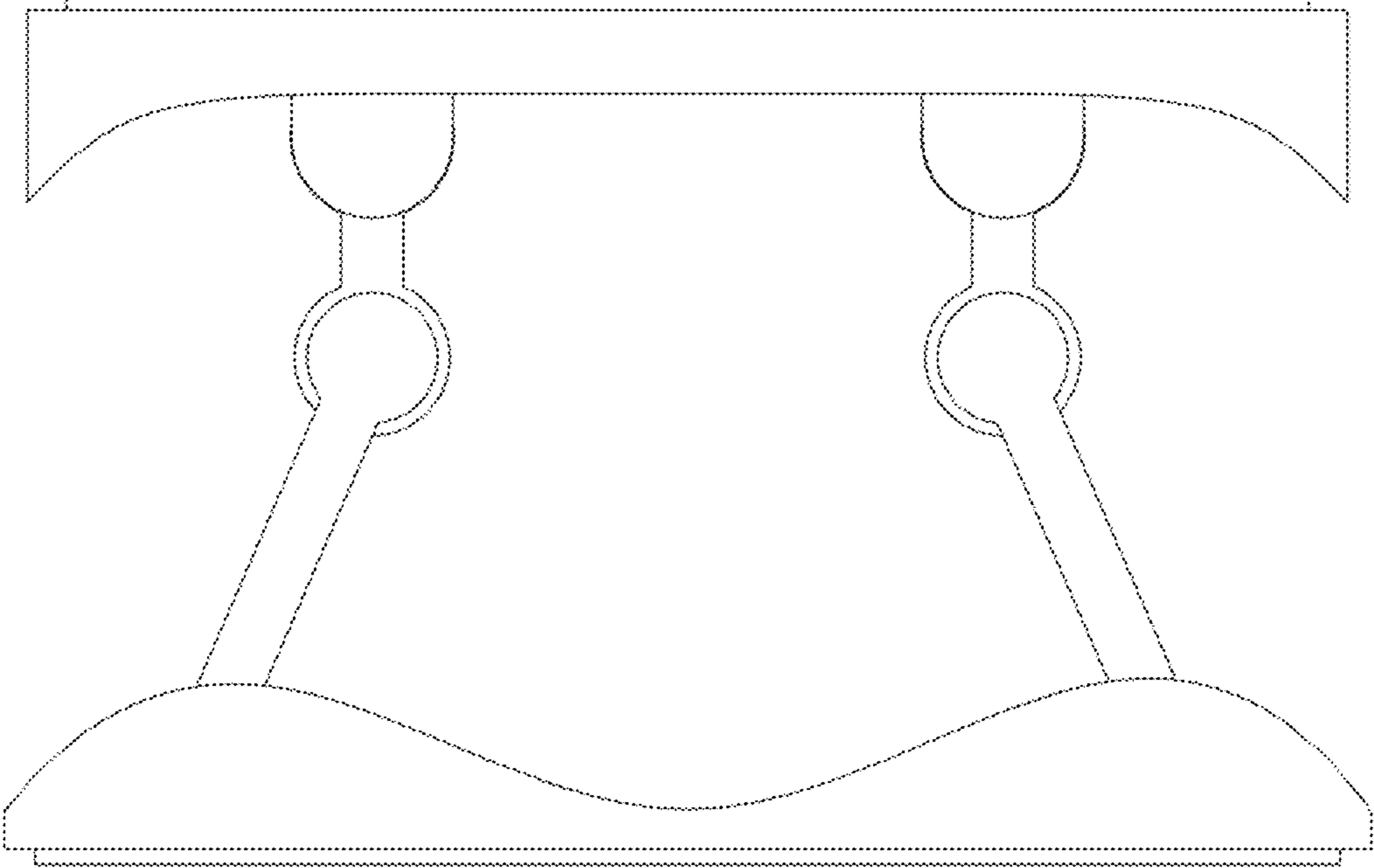


FIG. 7

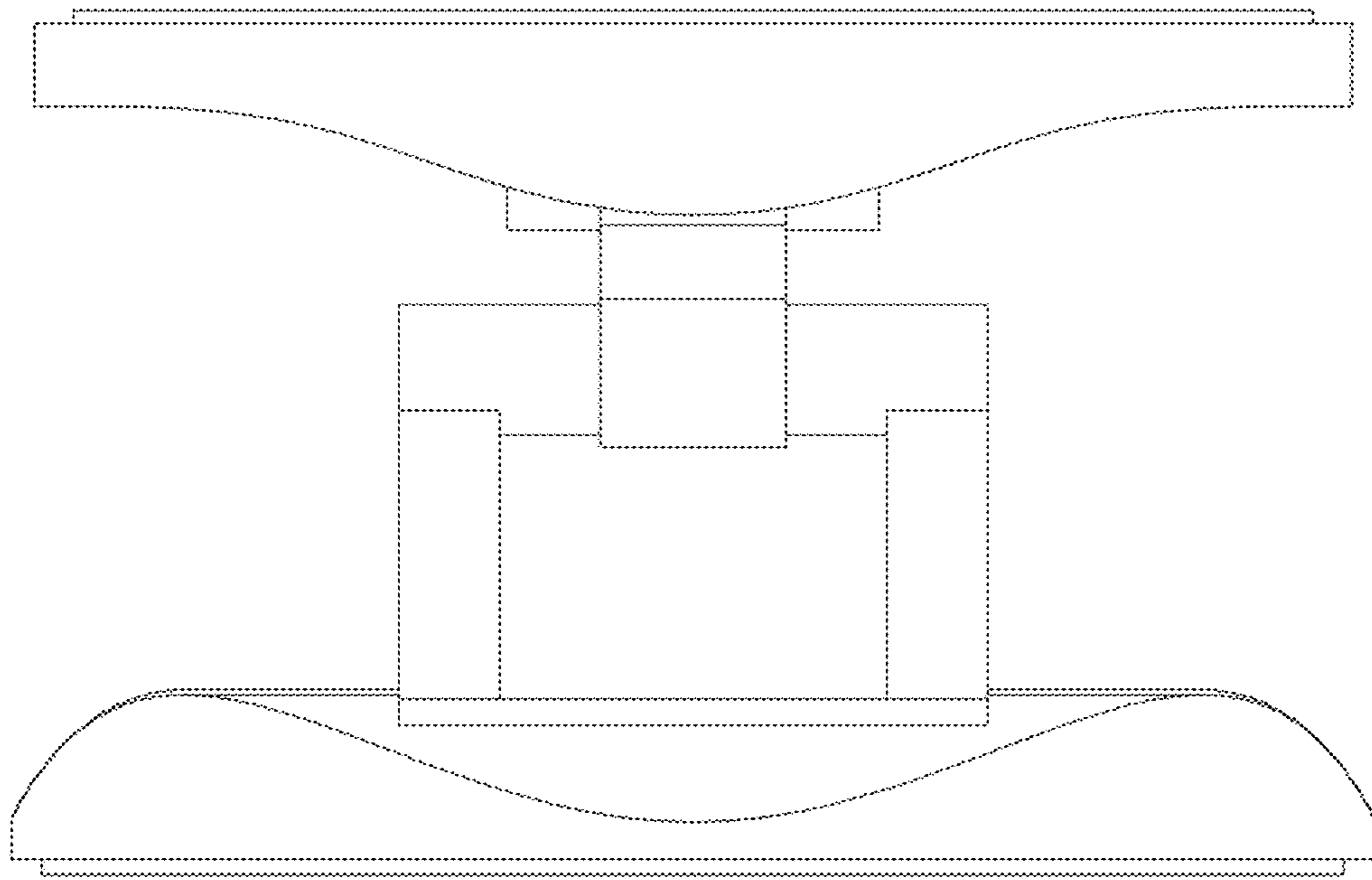


FIG. 8