



US00D883272S

(12) **United States Design Patent**
Park

(10) **Patent No.:** **US D883,272 S**

(45) **Date of Patent:** **** May 5, 2020**

(54) **COMBINED GRIP AND SUPPORT FOR
HANDHELD DEVICE**

D786,235 S * 5/2017 Huotari D14/253
D826,917 S * 8/2018 Zhong D14/253
D842,851 S * 3/2019 Leitman D14/253
D864,188 S * 10/2019 Che D14/253

(71) Applicant: **ES Distribution, LLC**, Sudbury, MA
(US)

(72) Inventor: **Joon Park**, Redondo Beach, CA (US)

(73) Assignee: **ES Distribution, LLC**, Sudbury, MA
(US)

(**) Term: **15 Years**

(21) Appl. No.: **29/678,460**

(22) Filed: **Jan. 29, 2019**

(51) **LOC (12) Cl.** **14-03**

(52) **U.S. Cl.**
USPC **D14/253**

(58) **Field of Classification Search**
USPC D14/251–253, 447, 452; D12/415;
D3/218; D8/349, 363; D6/656.11,
D6/656.12, 656.13, 656.15, 656.16, 655,
D6/655.1, 675.1
CPC H04M 1/02; H04M 1/04; B60R 11/02;
F16M 11/00; F16M 11/04; F16M 11/06
See application file for complete search history.

(56) **References Cited**

U.S. PATENT DOCUMENTS

D656,479 S 3/2012 Lin
D658,168 S * 4/2012 Werth D14/253
8,220,767 B2 7/2012 Lin
D679,700 S * 4/2013 Werth D14/253
8,424,831 B2 4/2013 Lin
D712,394 S * 9/2014 Booth D14/253
D723,536 S * 3/2015 Werth D14/253
D735,695 S 8/2015 Murphy
9,259,077 B2 2/2016 Murphy et al.
D778,899 S * 2/2017 Khalili D14/250

OTHER PUBLICATIONS

Datasheet—KickGrip—Universal Car Vent Mount, Phone Stand,
Belt Clip, retrieved from the internet < [https://www.amazon.com/
KickGrip-Universal-Mount-Phone-Stand/dp/B01NCZB87U](https://www.amazon.com/KickGrip-Universal-Mount-Phone-Stand/dp/B01NCZB87U)>.

* cited by examiner

Primary Examiner — Janice Hallmark

(74) *Attorney, Agent, or Firm* — Cesari and McKenna,
LLP

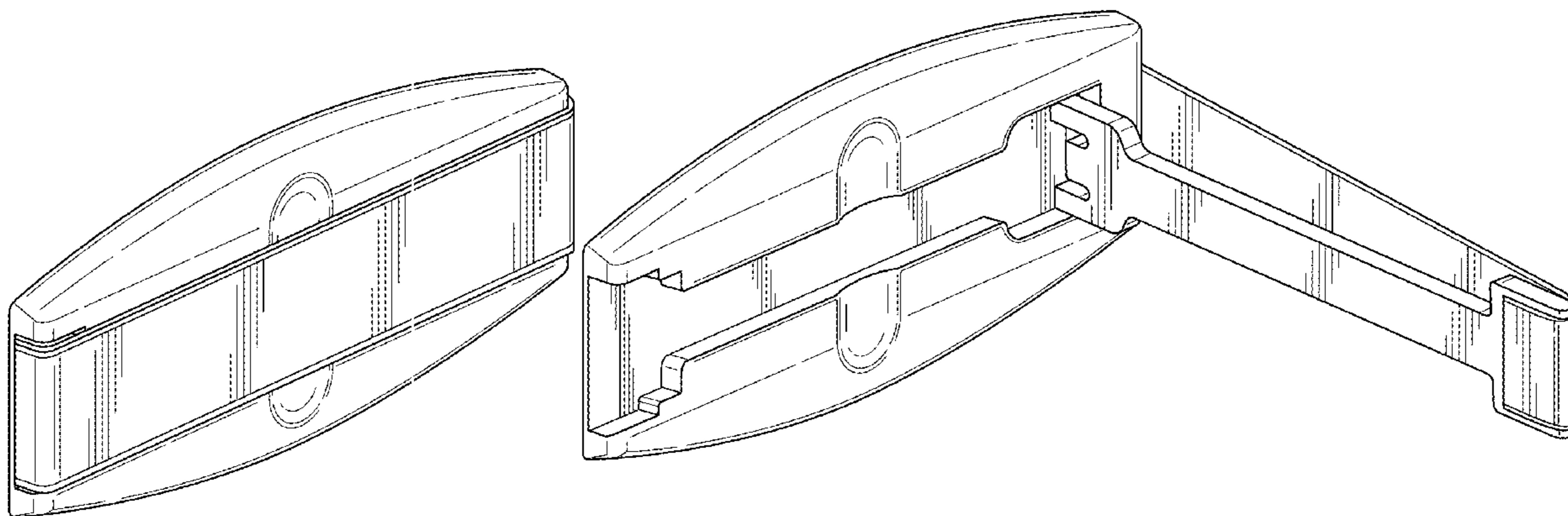
(57) **CLAIM**

The ornamental design for a combined grip and support for
handheld device, substantially as shown.

DESCRIPTION

FIG. 1 is an isometric view from the front of a combined grip
and support for handheld device, with a support in a closed
position, incorporating the design;
FIG. 2 is a front elevation view thereof;
FIG. 3 is a back elevation view thereof;
FIG. 4 is a left-side elevation view thereof;
FIG. 5 is a right-side elevation view thereof;
FIG. 6 is a top view thereof;
FIG. 7 is a bottom view thereof;
FIG. 8 is an isometric view from the front, with the support
in an open position, thereof; and,
FIG. 9 is a left-side elevation view, with the support in an
open position, thereof.

1 Claim, 5 Drawing Sheets



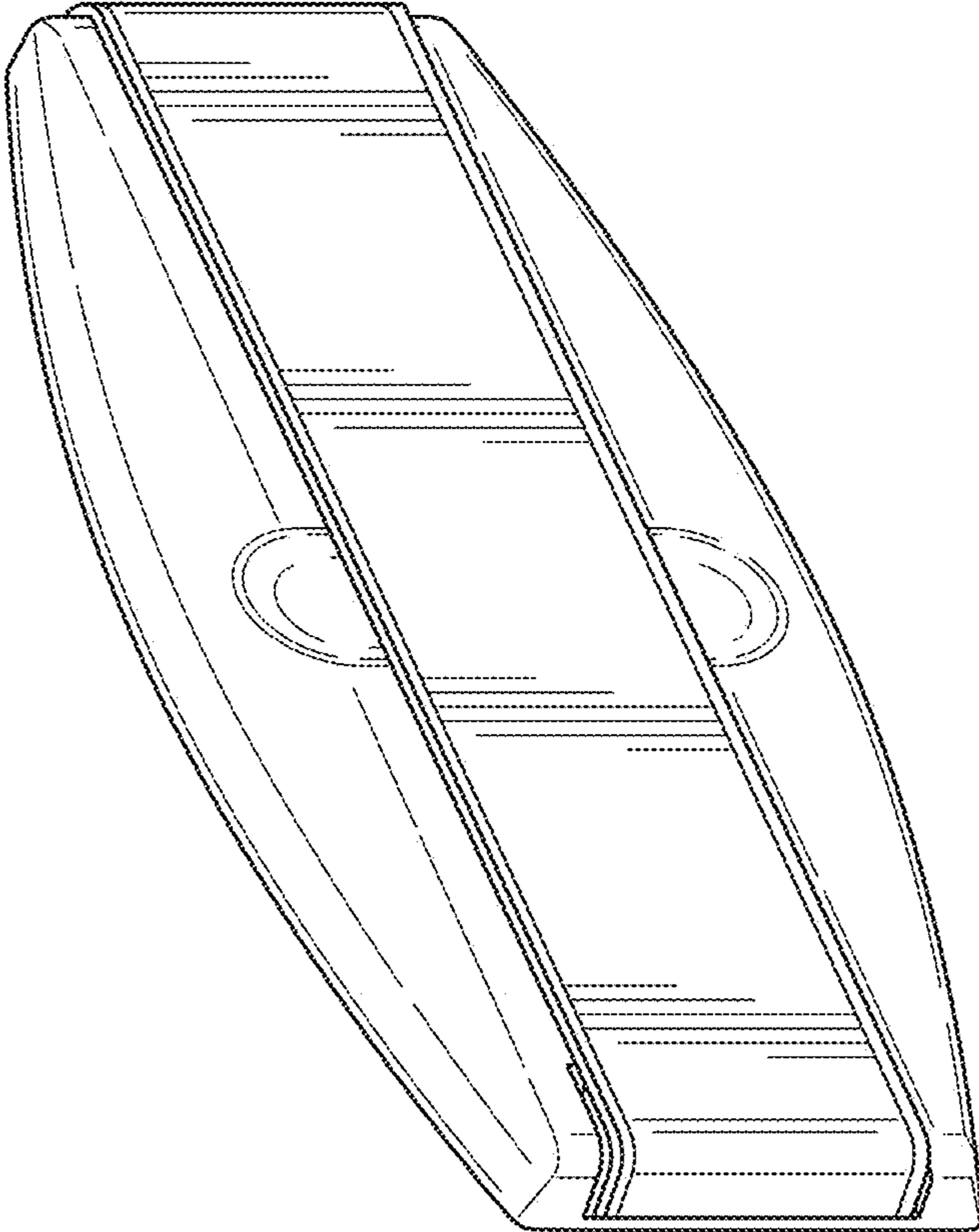


FIG. 1

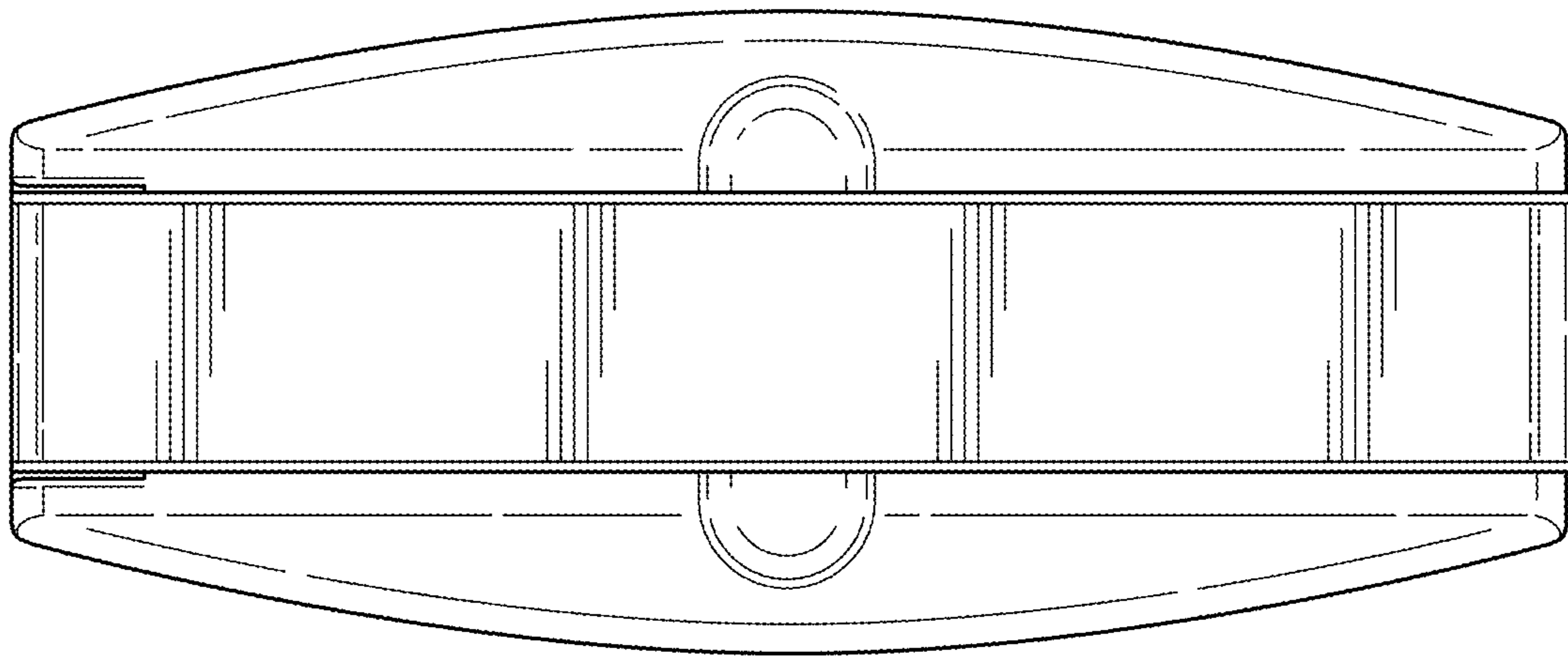


FIG. 2

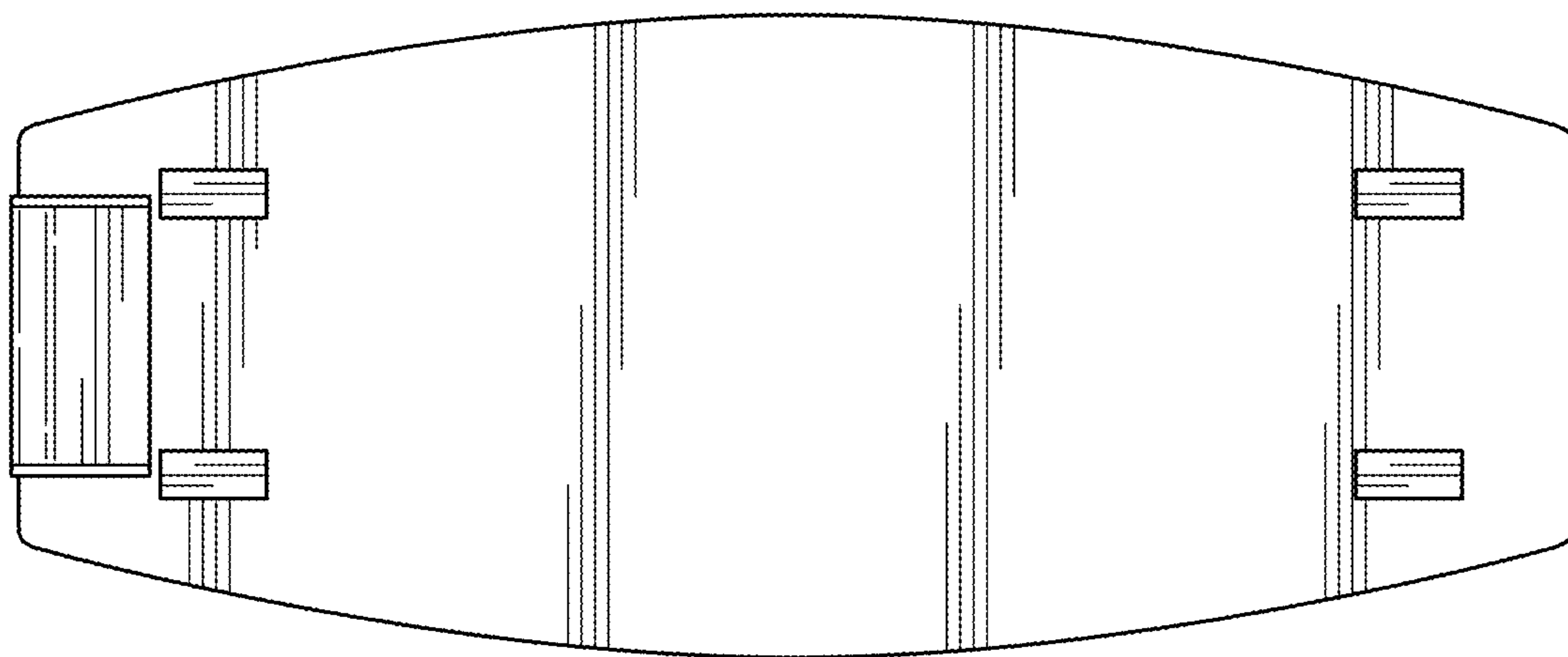


FIG. 3



FIG. 5



FIG. 4

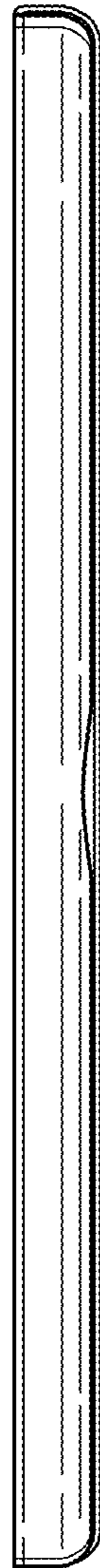


FIG. 6



FIG. 7

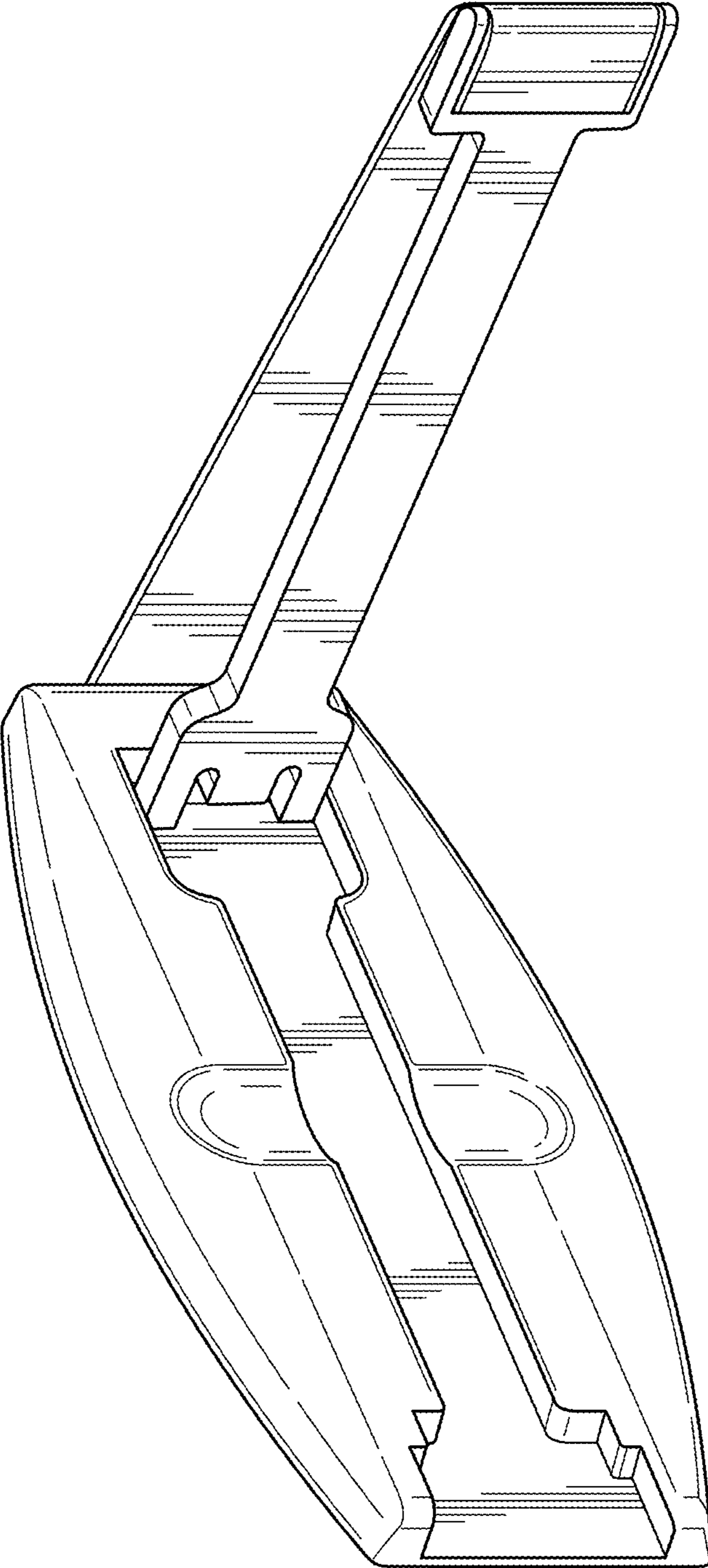


FIG. 8

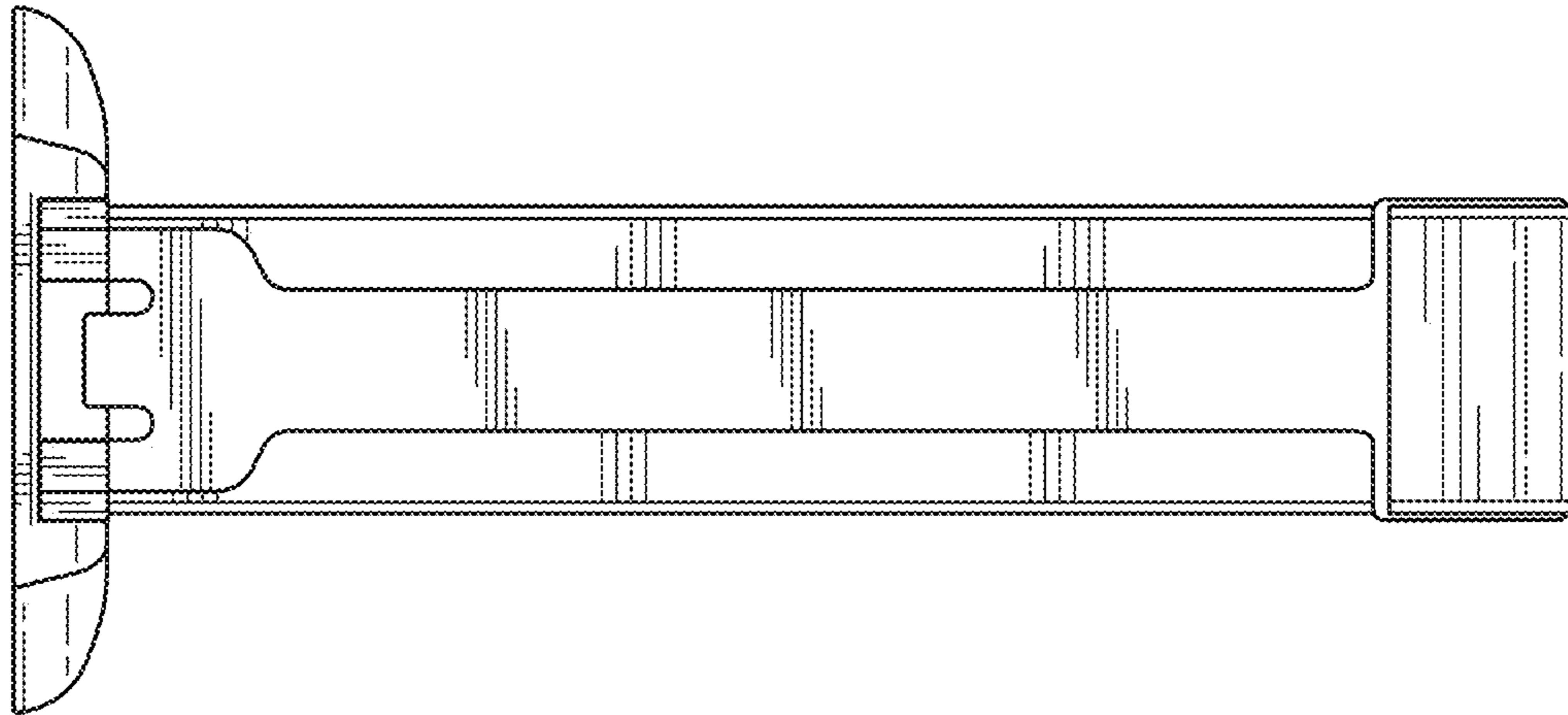


FIG. 9