



US00D883271S

(12) **United States Design Patent**  
**Liao**

(10) **Patent No.:** **US D883,271 S**  
(45) **Date of Patent:** **\*\* May 5, 2020**

(54) **CAR MOUNT BRACKET**

(71) Applicant: **Gopod Group Ltd.**,  
Shenzhen/Guangdong (CN)

(72) Inventor: **Zhuowen Liao**, Shenzhen (CN)

(73) Assignee: **GUANGDONG GOPOD GROUP HOLDING CO., LTD.**, Shenzhen (CN)

(\*\*) Term: **15 Years**

(21) Appl. No.: **29/676,786**

(22) Filed: **Jan. 15, 2019**

(30) **Foreign Application Priority Data**

Dec. 28, 2018 (CN) ..... 2018 3 0764987

(51) **LOC (12) Cl.** ..... **14-03**

(52) **U.S. Cl.**  
USPC ..... **D14/253**

(58) **Field of Classification Search**  
USPC ..... D14/251-253, 447, 452; D12/415;  
D3/218; D8/349, 363; D6/656.11,  
D6/656.12, 656.13, 656.15, 656.16, 655,  
D6/655.1, 675.1

CPC ..... H04M 1/02; H04M 1/04; B60R 11/02;  
F16M 11/00; F16M 11/04; F16M 11/06  
See application file for complete search history.

(56) **References Cited**

**U.S. PATENT DOCUMENTS**

D838,267 S \* 1/2019 Zhang ..... D14/253

D859,286 S \* 9/2019 He ..... D12/415  
D860,190 S \* 9/2019 Liao ..... D14/253  
D873,260 S \* 1/2020 Dang ..... D14/253

\* cited by examiner

*Primary Examiner* — Janice Hallmark

(74) *Attorney, Agent, or Firm* — Dorsey & Whitney LLP

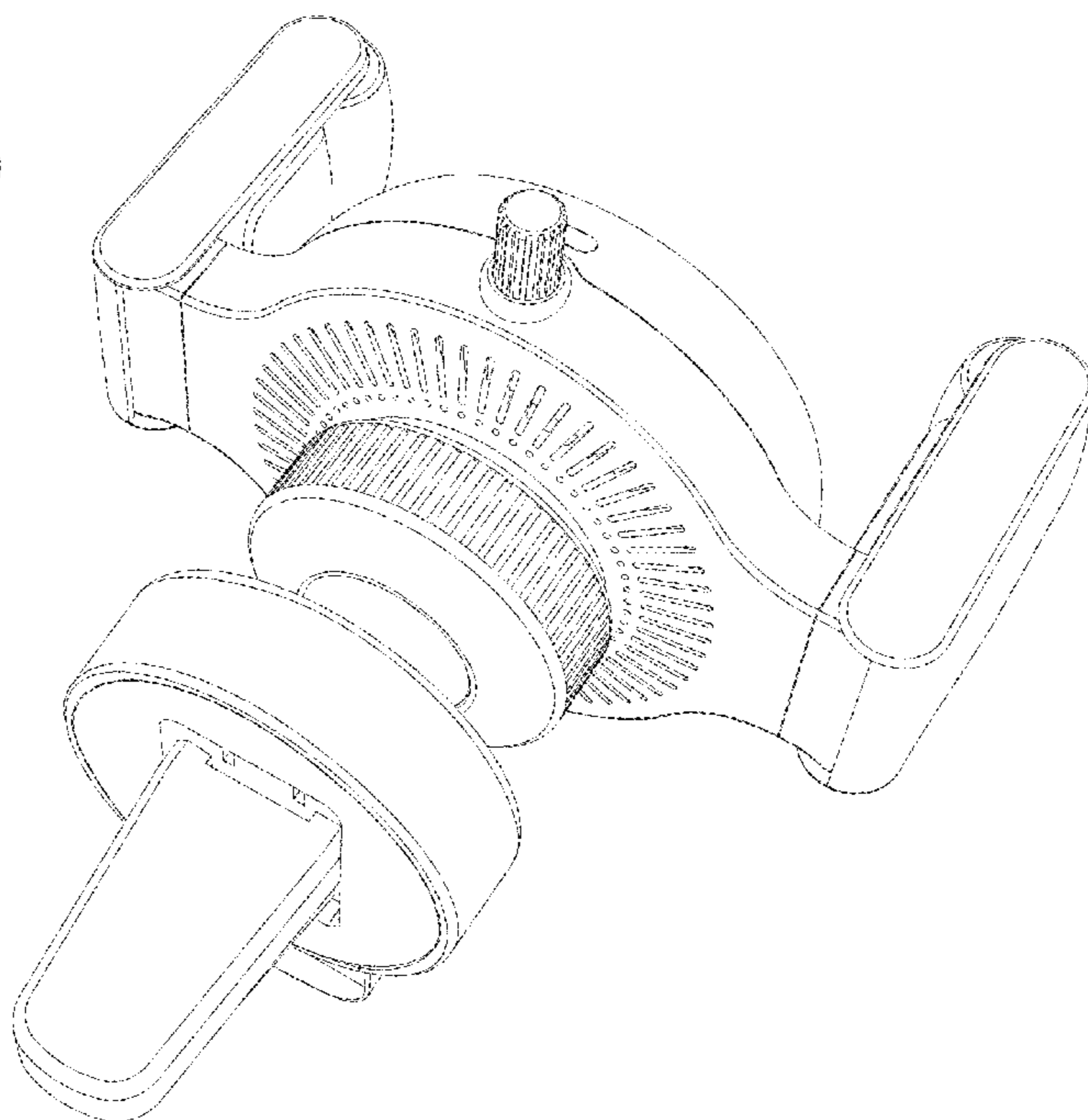
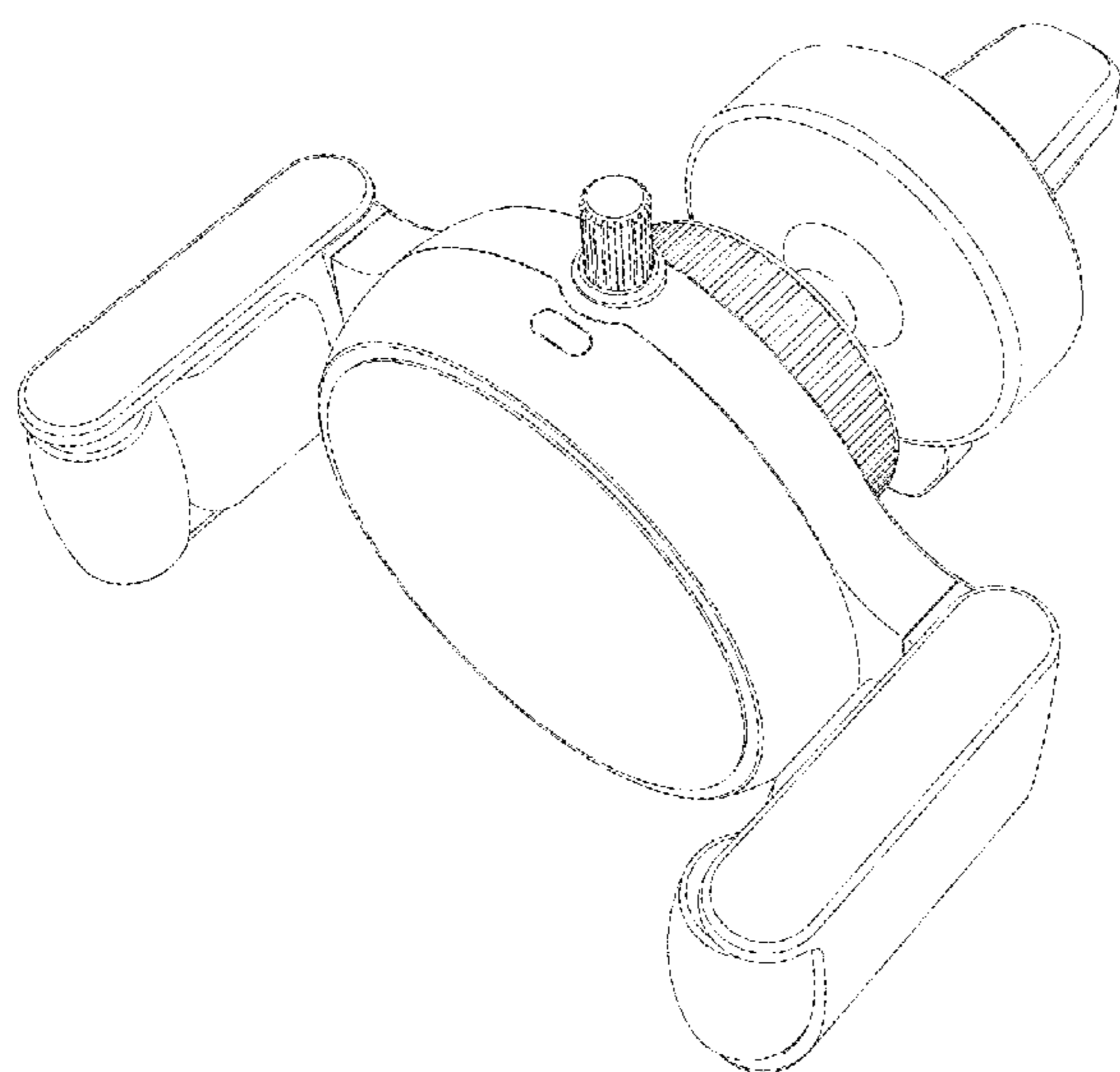
(57) **CLAIM**

The ornamental design for a car mount bracket, as shown and described.

**DESCRIPTION**

FIG. 1 is a left side view of a car mount bracket showing my new design;  
FIG. 2 is a bottom view thereof;  
FIG. 3 is a right side view thereof;  
FIG. 4 is a top view thereof;  
FIG. 5 is a rear view thereof;  
FIG. 6 is a front view thereof;  
FIG. 7 is a top, rear, right side perspective view thereof;  
FIG. 8 is a bottom, rear, left side perspective view thereof;  
and,  
FIG. 9 is a top, front, left side perspective view thereof.  
The broken lines shown in the drawings illustrate portions of the car mount bracket that form no part of the claimed design.

**1 Claim, 9 Drawing Sheets**



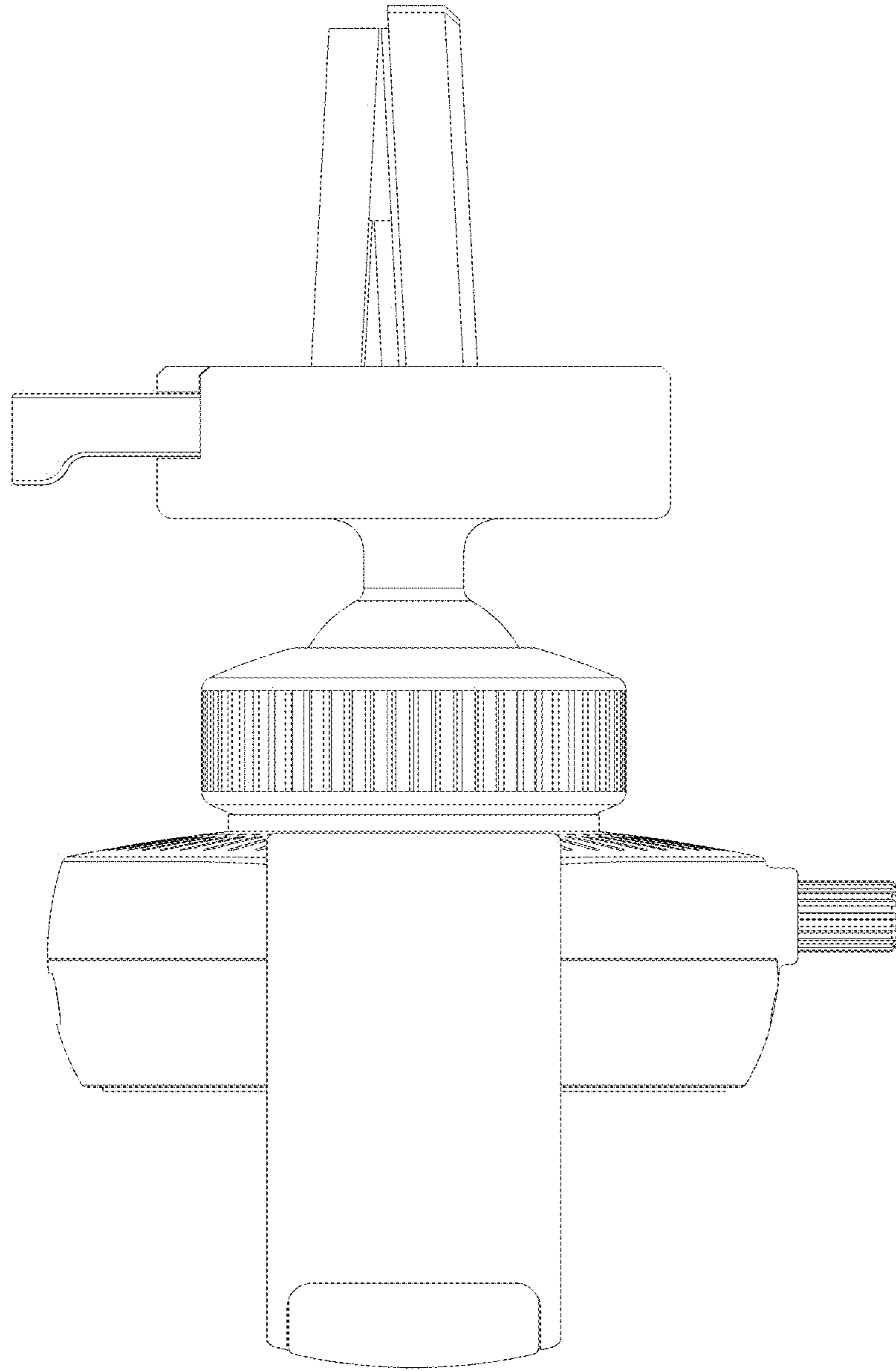


FIG. 1

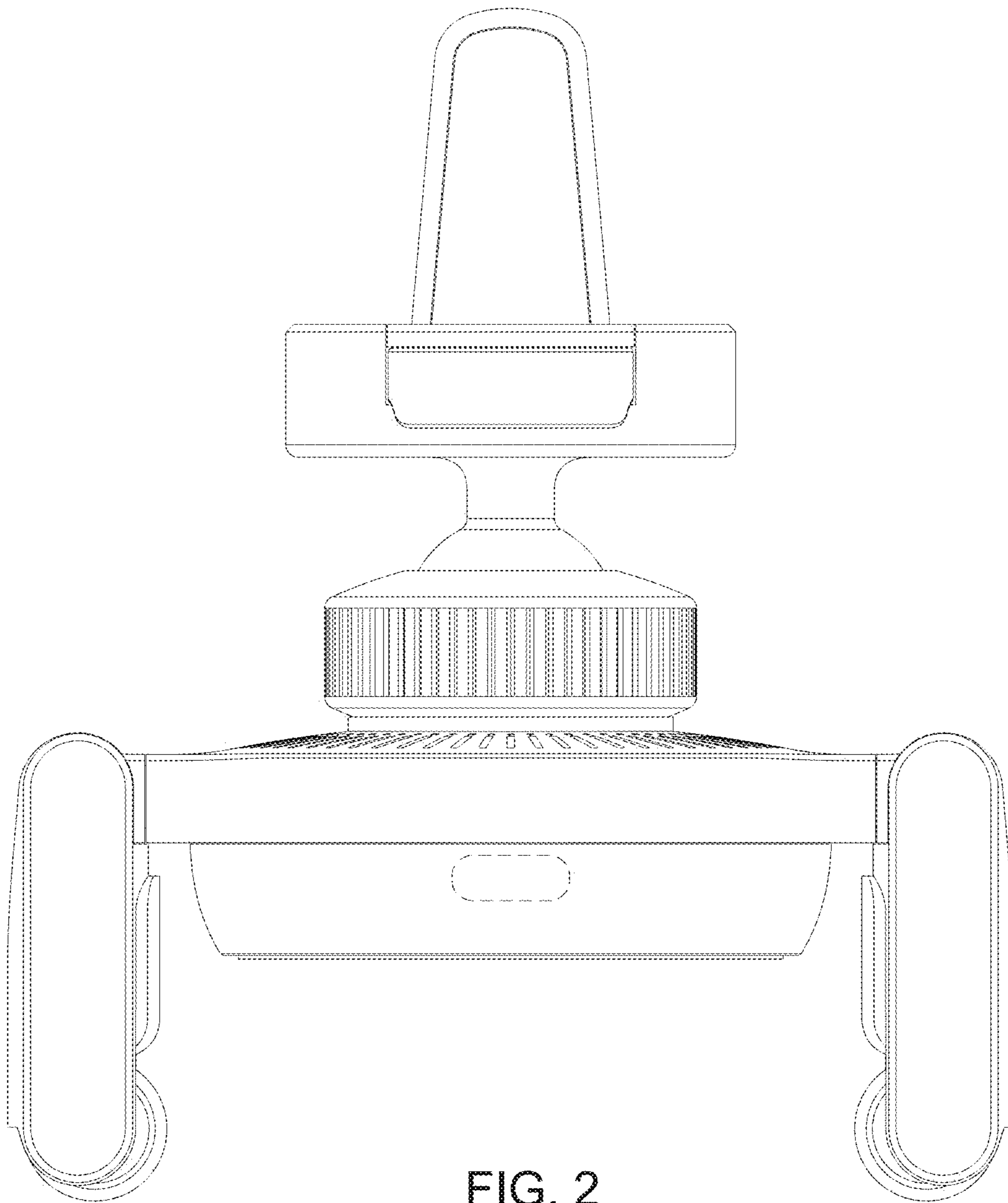


FIG. 2

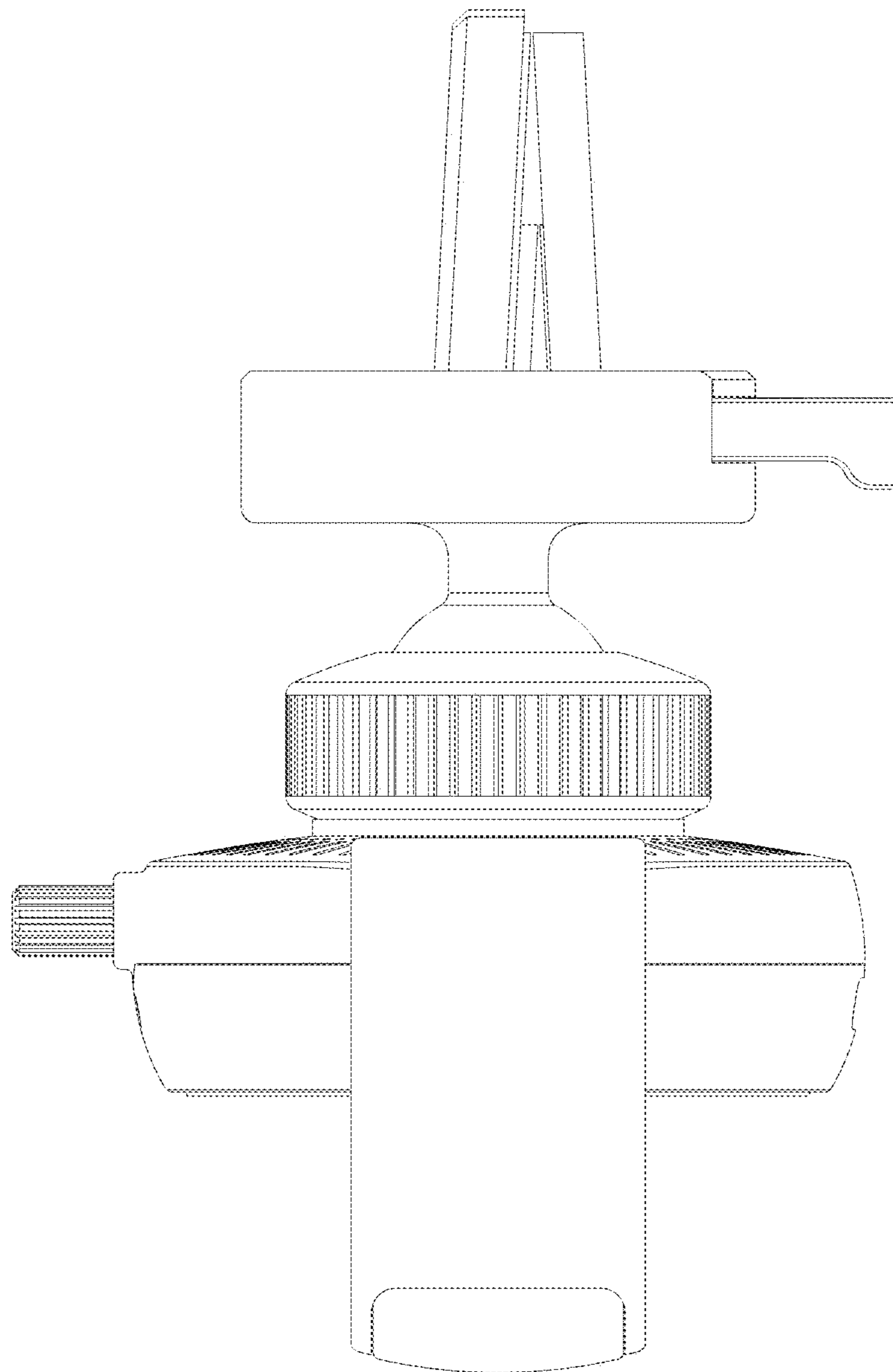


FIG. 3

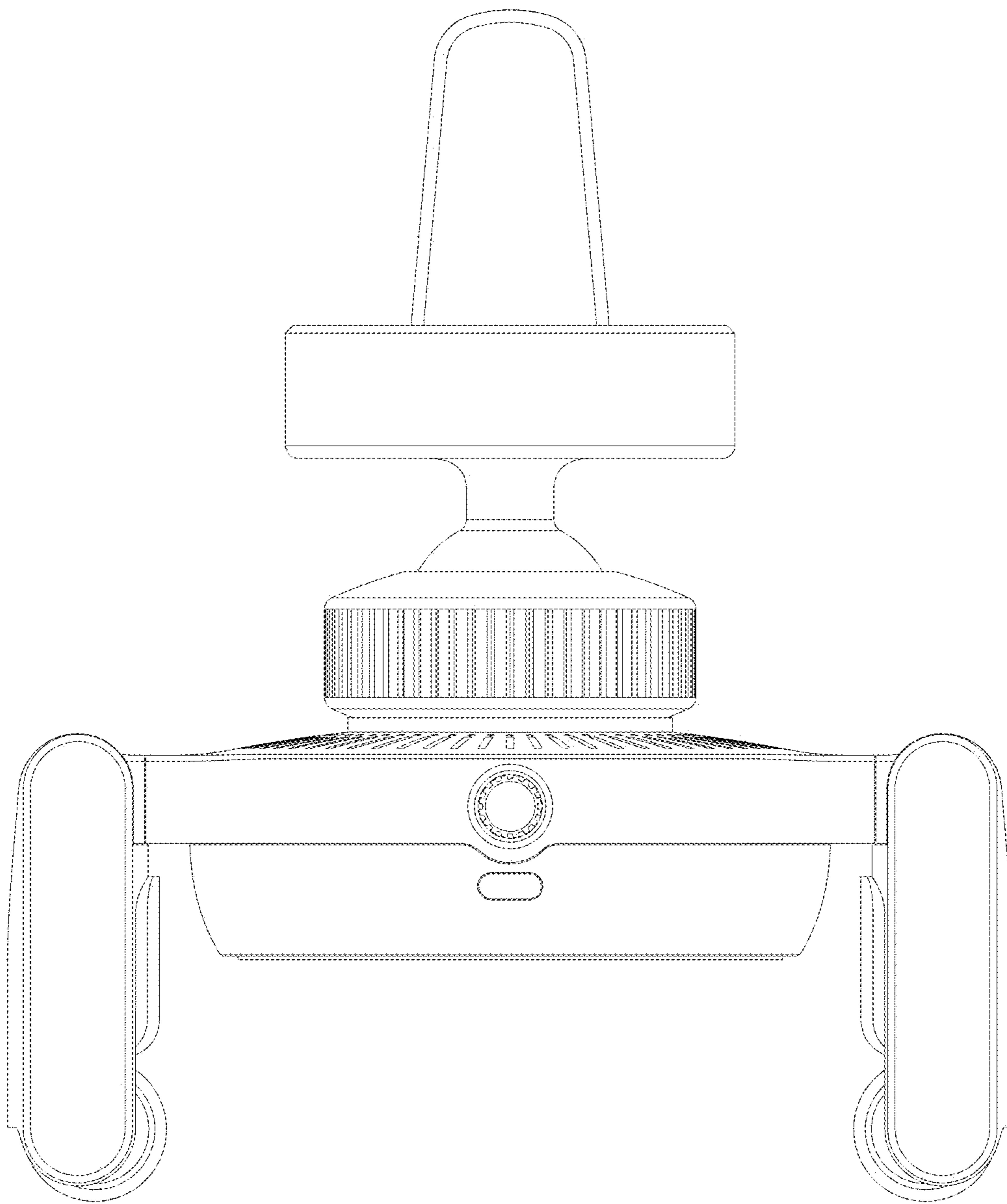


FIG. 4

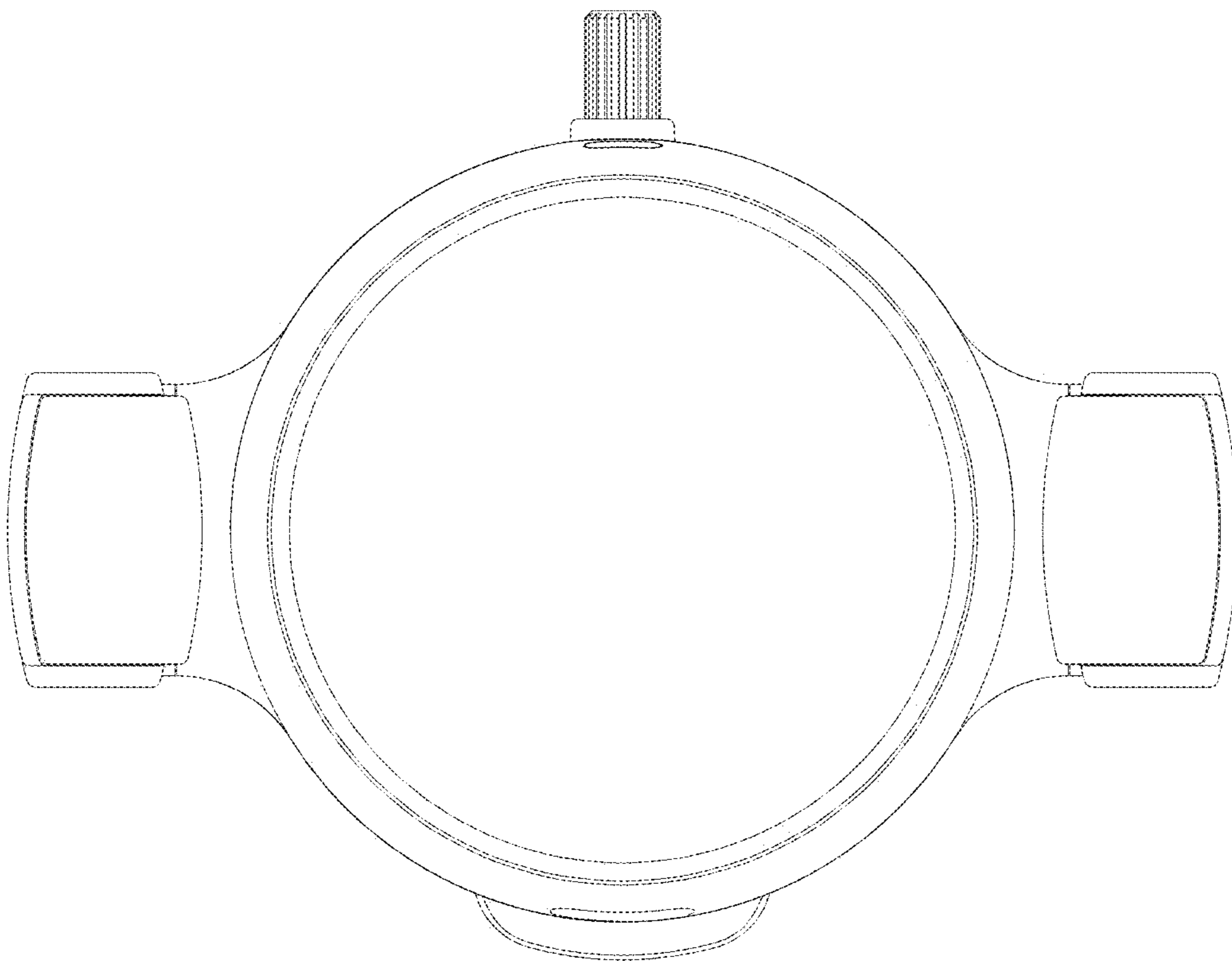


FIG. 5

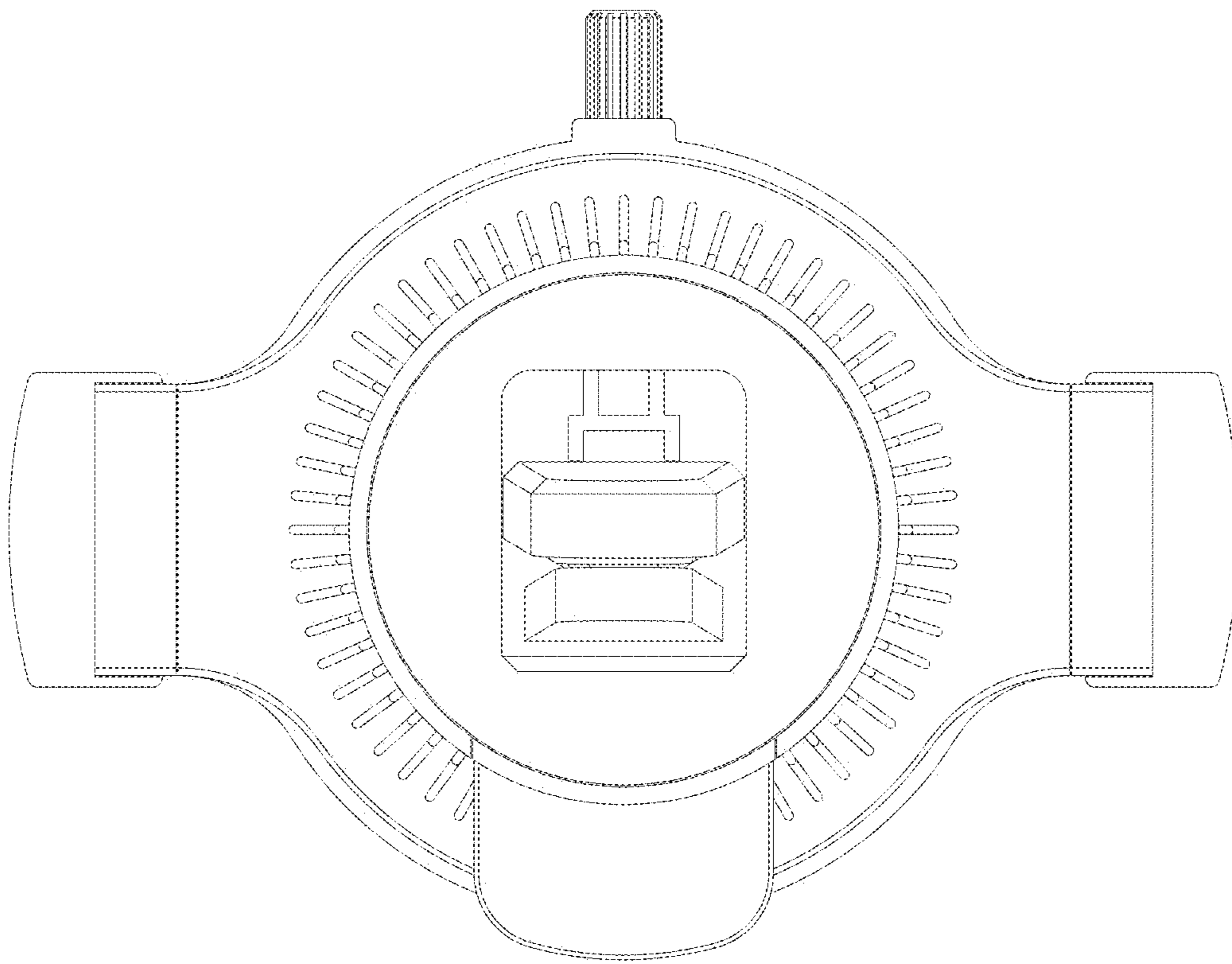


FIG. 6

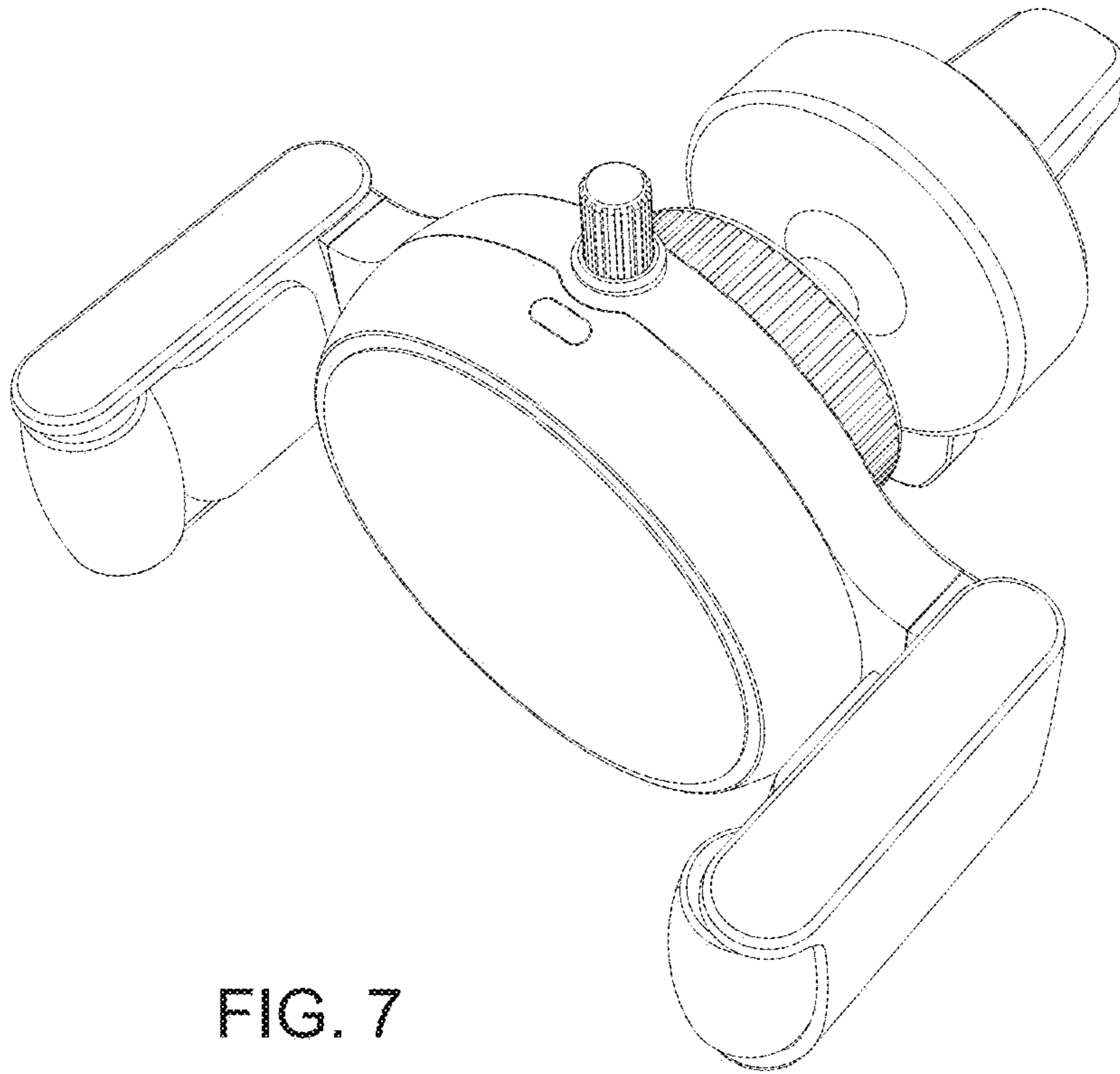


FIG. 7



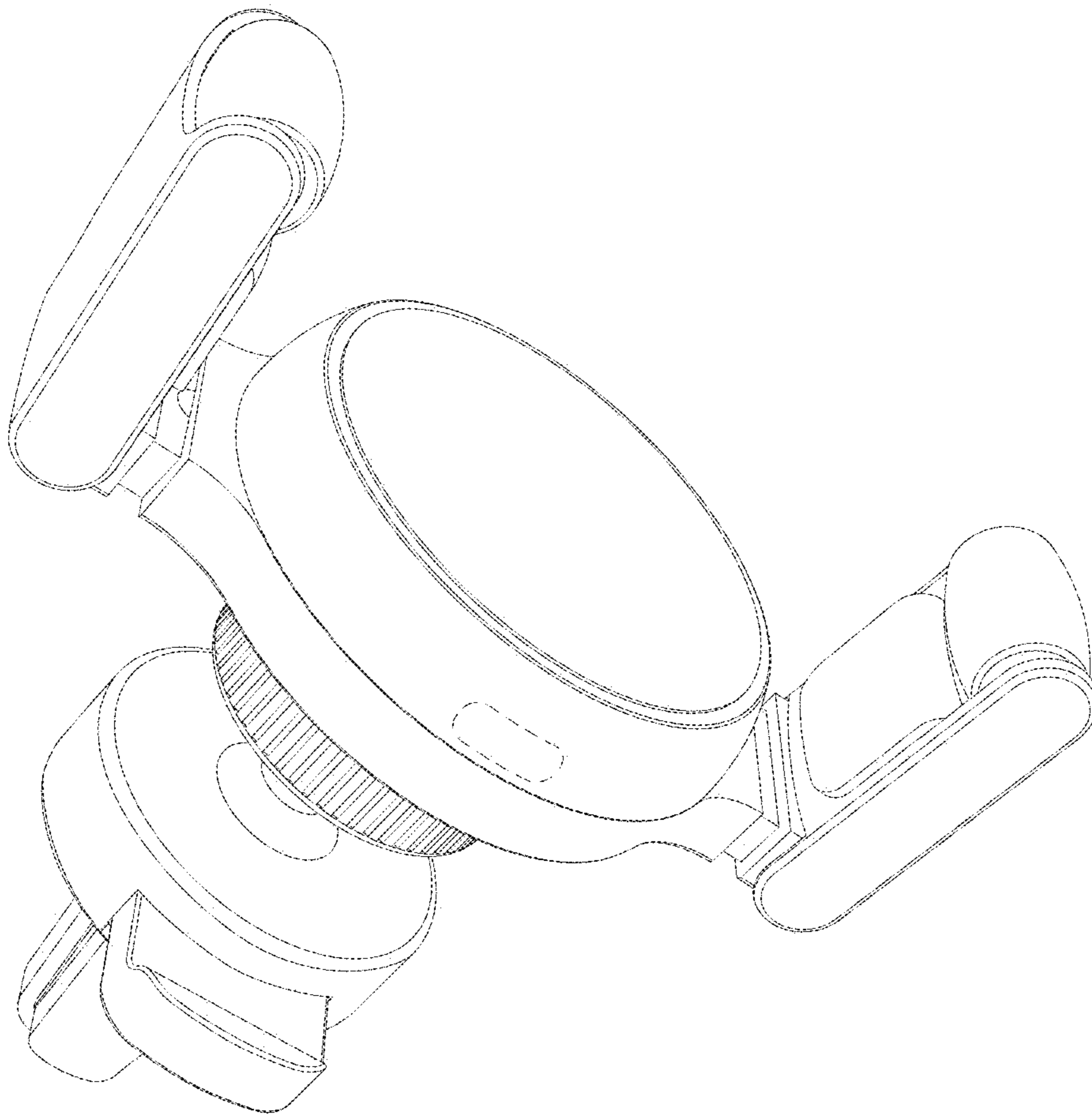


FIG. 8

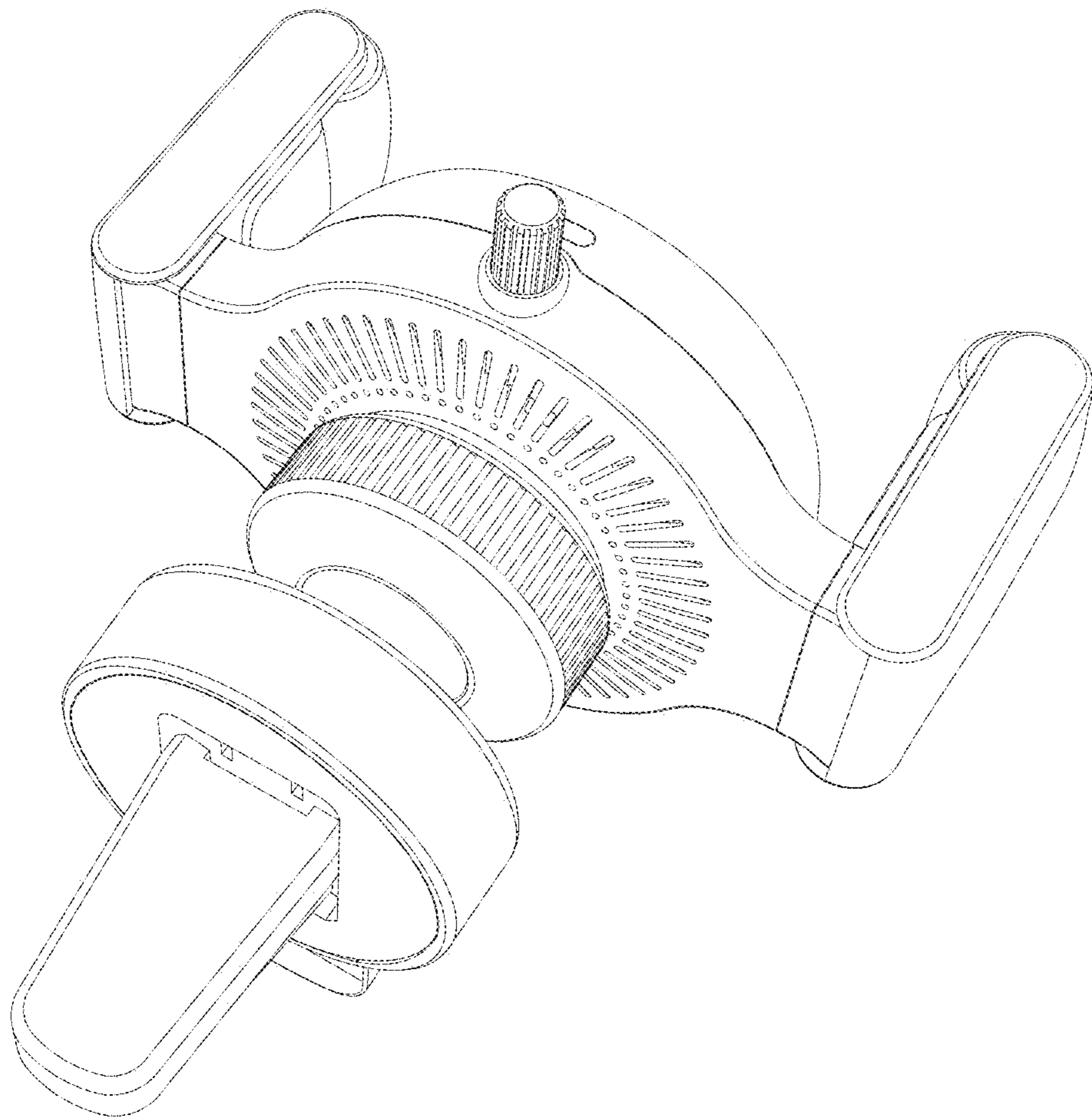


FIG. 9