



US00D883270S

(12) **United States Design Patent** (10) **Patent No.:** **US D883,270 S**
Jung (45) **Date of Patent:** **** *May 5, 2020**

- (54) **CASE FOR ELECTRONIC COMMUNICATIONS DEVICE**
- (71) Applicant: **SPIGEN KOREA CO., LTD.**, Seoul (KR)
- (72) Inventor: **Soo Ha Jung**, Seoul (KR)
- (73) Assignee: **SPIGEN KOREA CO., LTD.**, Seoul (KR)
- (*) Notice: This patent is subject to a terminal disclaimer.
- (**) Term: **15 Years**
- (21) Appl. No.: **29/666,347**
- (22) Filed: **Oct. 11, 2018**

D614,668 S	4/2010	Jones	
D619,361 S	7/2010	Andre	
D624,908 S	10/2010	Huskinson	
D636,387 S	4/2011	Willes	
D637,589 S	5/2011	Willes et al.	
D646,265 S	10/2011	Fathollahi	
D663,294 S	7/2012	Buxton	
D673,547 S	1/2013	Melanson et al.	
D676,035 S	2/2013	Chang	
D679,271 S	4/2013	Liu	
D681,615 S	5/2013	Fathollahi	
8,517,172 B1 *	8/2013	Chang	G06F 1/1626 206/320
8,706,176 B1	4/2014	Jia	
D706,254 S	6/2014	Chang	
D707,670 S	6/2014	Chang et al.	
D709,871 S	7/2014	Lee	
D714,274 S *	9/2014	Jung	D14/250
D718,758 S	12/2014	Jaffee	
D721,071 S	1/2015	Nelson	
9,049,283 B1 *	6/2015	Kim	H04M 1/21
9,185,954 B2	11/2015	Cheung	
D749,068 S	2/2016	Zaborski	
D749,535 S	2/2016	Joung	
D749,594 S	2/2016	Kim	
D753,099 S *	4/2016	Kim	D14/250
D755,764 S	5/2016	Dong	
D755,772 S	5/2016	Sasaki	
D756,339 S	5/2016	Tussy	
D756,340 S	5/2016	Babichenko	
D756,343 S	5/2016	Wall et al.	
D756,909 S	5/2016	Gupta	
D756,977 S	5/2016	Schriefer	
D756,978 S	5/2016	Addonisio	
D756,980 S	5/2016	Beeman	
D757,703 S	5/2016	Kanazawa	
D759,641 S	6/2016	Lai et al.	
D759,642 S	6/2016	Chao	
D762,633 S	8/2016	Fife	
D765,634 S	9/2016	McCray et al.	
D765,635 S	9/2016	Chang	
D765,638 S	9/2016	Gaylord	
D765,640 S	9/2016	Bulkley	
D768,615 S	10/2016	Wang	
9,467,189 B2	10/2016	Day et al.	
D771,028 S *	11/2016	Kim	D14/250
D771,607 S *	11/2016	Kim	D14/250
D772,858 S	11/2016	Hu	
9,503,147 B2	11/2016	Witter et al.	
D775,620 S *	1/2017	Kim	D14/250
D776,104 S	1/2017	Tien	
D777,156 S *	1/2017	Kim	D14/250
D777,160 S	1/2017	Kim	

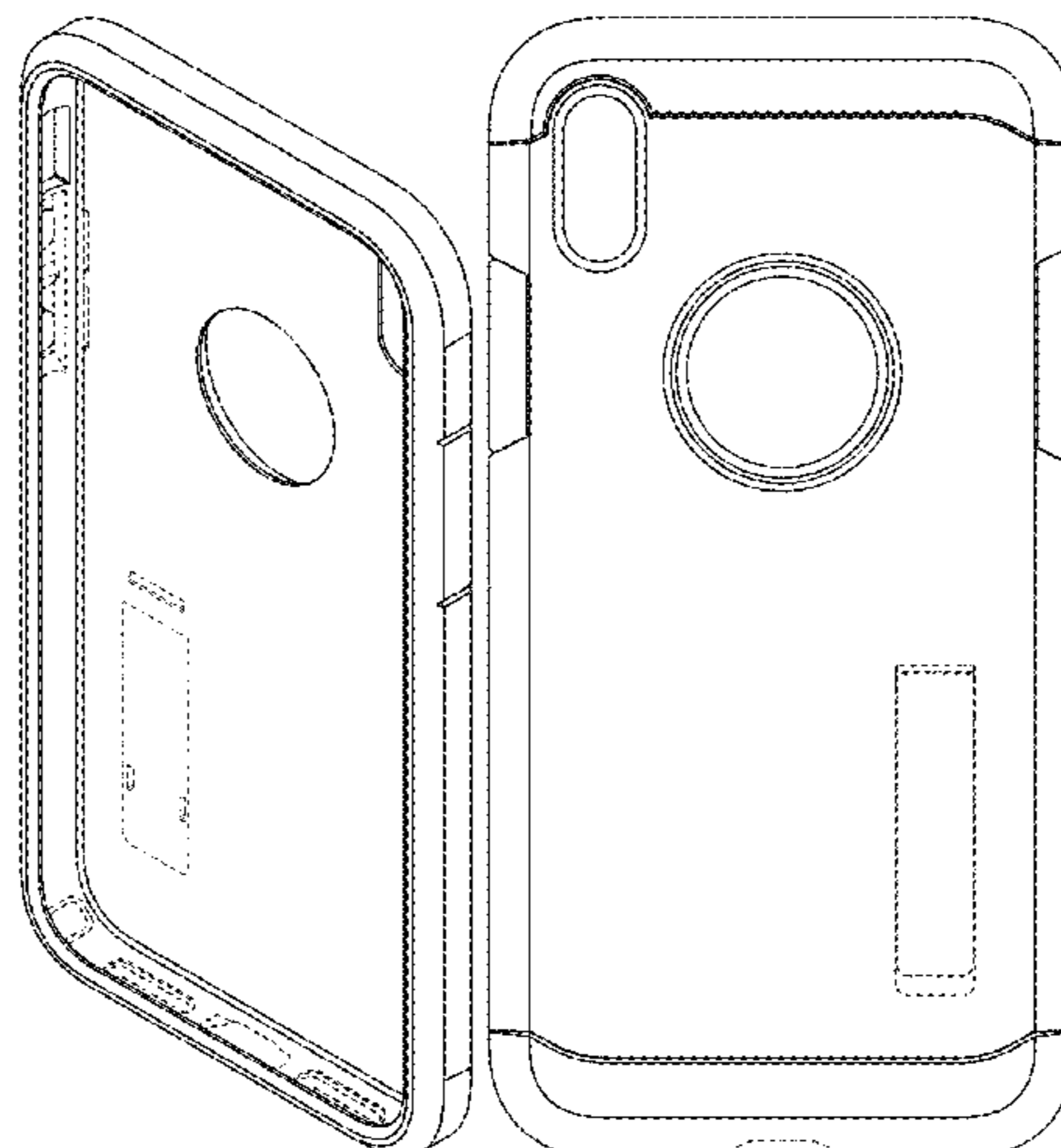
Related U.S. Application Data

- (63) Continuation of application No. 29/614,127, filed on Aug. 16, 2017.
- (51) **LOC (12) Cl.** **14-03**
- (52) **U.S. Cl.**
USPC **D14/250**
- (58) **Field of Classification Search**
USPC D14/439, 203.3-203.7, 447, 238.1, D14/251-253, 217, 240, 250, 440, 248; D3/201, 218, 247, 269, 273, 301, 303; D13/107-108, 103, 119
CPC H04B 1/3888; H04M 1/0283; H04M 1/0202; A45C 1/06; A45C 11/00; A45C 13/02; A45C 2011/002; A45F 2005/026; A45F 2200/0525; A45F 2200/0516
See application file for complete search history.

References Cited

U.S. PATENT DOCUMENTS

- D613,761 S 4/2010 Jones
D613,762 S 4/2010 Jones
D613,763 S 4/2010 Jones



9,545,140	B1	1/2017	Johnson et al.	
D780,166	S	2/2017	Lin	
D780,167	S	2/2017	Tien	
D789,344	S *	6/2017	Kim	D14/250
9,675,150	B2 *	6/2017	Kim	A45C 11/182
D798,284	S *	9/2017	Kim	D14/250
D802,574	S *	11/2017	Kim	D14/250
D808,955	S	1/2018	Park et al.	
D810,065	S	2/2018	Tien et al.	
D810,066	S	2/2018	Tien et al.	
D810,726	S	2/2018	Chou et al.	
D813,854	S	3/2018	Lee et al.	
D819,012	S *	5/2018	Kim	D14/250
D820,245	S *	6/2018	Kim	D14/250
D823,293	S	7/2018	Kim et al.	
D823,296	S	7/2018	Kim et al.	
D823,297	S	7/2018	Kim et al.	
D823,298	S	7/2018	Kim et al.	
D828,346	S *	9/2018	Kim	D14/250
D836,623	S *	12/2018	Hyun	D14/250
2009/0017883	A1	1/2009	Lin	
2011/0050606	A1	3/2011	Zhang	
2012/0018323	A1 *	1/2012	Johnson	H04B 1/3888 206/320
2013/0077211	A1	3/2013	Wang	
2013/0126531	A1	5/2013	Hynecek	
2014/0262855	A1	9/2014	Gandhi	
2014/0360892	A1	12/2014	Lin	
2015/0156297	A1	6/2015	Crawford	
2015/0335116	A1	11/2015	Kim	
2016/0028430	A1	1/2016	Crawford	
2016/0204817	A1 *	7/2016	Kim	H04B 1/3888 455/575.8
2016/0285301	A1 *	9/2016	Kim	H02J 7/025
2016/0308571	A1 *	10/2016	Chiang	H04B 1/3888
2017/0104854	A1 *	4/2017	Park	A45F 5/00
2017/0150792	A1 *	6/2017	Kim	B08B 3/022
2017/0155418	A1 *	6/2017	Kim	H04B 1/3888
2017/0230072	A1 *	8/2017	Kim	H04B 1/3888

OTHER PUBLICATIONS

“Spigen Tough Armor iPhone Se/5S/5 Case with Extreme Heavy Duty Protection and Air Cushion Technology for iPhone Se/iPhone 5S/iPhone 5—Metal Slate”, <https://www.amazon.com/Spigen-Extreme-Protection-Cushion-Technology/dp/BOODMKGPP4>, Earliest review date of Aug. 1, 2013, Downloaded on Aug. 9, 2018.

“Spigen Tough Armor Designed for Apple iPad Mini 3 Case, iPad Mini 2 Case, iPad Mini Case—Metal Slate”, <https://www.amazon.com/Spigen-Tough-Armor-Designed-Apple/dp/B00FRDVXK>, Earliest review date of Dec. 27, 2013, Downloaded on Jan. 15, 2019.

“Spigen Tough Armor Galaxy S5 Case with Extreme Heavy Duty Protection and Air Cushion Technology for Samsung Galaxy S5 2014—Gunmetal”, <https://www.amazon.com/Spigen-Extreme-Protection-Cushion-Technology/dp/B00I3UWDV8>, Earliest review date of Mar. 9, 2014, Downloaded on Aug. 9, 2018.

“Spigen Tough Armor iPhone 6 Plus Case with Kickstand and Extreme Heavy Duty Protection and Air Cushion Technology for iPhone 6S Plus / iPhone 6 Plus—Gunmetal”, <https://www.amazon.com/dp/B00LL987W2>, Earliest review date of Jul. 8, 2014, Downloaded on Oct. 4, 2017.

“Spigen Tough Armor iPhone 6 Case with Extreme Heavy Duty Protection and Air Cushion Technology for iPhone 6S/ iPhone 6—Smooth Black”, <https://www.amazon.com/Spigen-Extreme-Protection-Cushion-Technology/dp/B00NSSX231>, Earliest review date of Aug. 14, 2014, Downloaded on Aug. 9, 2018.

“Spigen Tough Armor iPhone 6 Case with Extreme Heavy Duty Protection and Air Cushion Technology for iPhone 6S / iPhone 6—Gunmetal”, <https://www.amazon.com/Spigen-Extreme-Protection-Cushion-Technology/dp/B00LL60JU8>, Earliest review date of Sep. 10, 2014, Downloaded on Jan. 15, 2019.

“Spigen Tough Armor S iPhone 6 Case with Extreme Heavy Duty Protection and Card Kickstand Feature for iPhone 5S / iPhone 6 - S Mint”, <https://www.amazon.com/Spigen-Extreme-Protection->

Kickstand-Feature/dp/B00LL65B06, Earliest review date of Sep. 18, 2014, Downloaded on Jan. 15, 2019.

“Spigen Tough Armor Galaxy Note 4 Case with Extreme Heavy Duty Protection and Air Cushion Technology for Samsung Galaxy Note 4 2014—Gunmetal”, <https://www.amazon.com/dp/B00MAWOU14>, Earliest review date of Oct. 9, 2014, Downloaded on Aug. 31, 2018.

“Spigen Tough Armor FX iPhone 6 Case with Extreme Protection and Front Built-In Screen Protector Cover for iPhone 5S / iPhone 6—Gunmetal”, <https://www.amazon.com/Spigen-iPhone-Extreme-Protection-Protector/dp/B00PR9XE5C>, Earliest review date of Jan. 8, 2015, Downloaded on Jan. 15, 2019.

“Spigen Tough Armor Galaxy S6 Edge Case with Kickstand and Extreme Heavy Duty Protection and Air Cushion Technology for Galaxy S6 Edge 2015—Gunmetal”, <https://www.amazon.com/dp/B00SV63L38>, Earliest review date of Mar. 12, 2015, Downloaded on Aug. 9, 2018.

“Spigen Tough Armor Galaxy S6 Case with Kickstand and Air Cushion Techonology for Galaxy S6 2015—Gunmetal”, <https://www.amazon.com/dp/B00QU4PUKK>, Earliest review date of Mar. 23, 2015, Downloaded on Aug. 9, 2018.

Spigen Tough Armor iPhone 6S Case with Extreme Heavy Duty Protection and Air Cushion Technology for iPhone 6S/iPhone 6—Rose Gold, <https://www.amazon.com/dp/B013TKNNGK>, Earliest review date of Aug. 30, 2015, Downloaded on Aug. 8, 2018.

“Spigen Tough Armor iPhone 6S Plus Case with Kickstand and Heavy Duty Air Cushion Technology Protection for Phone 6S Plus/iPhone 6 Plus Only—Gunmetal”, <https://www.amazon.com/Spigen-Kickstand-Cushion-Technology-Protection/dp/B010MVQJPQ>, Earliest review date of Sep. 9, 2015, Downloaded on Aug. 9, 2018.

Korguenkomodo, “Slim Armor case—Galaxy S6 Edge Plus”, Published on Oct. 12, 2015, Downloaded on Mar. 19, 2019.

“Spigen Tough Armor Works with iPad Mini 4 Case (2015)—Gunmetal”, <https://www.amazon.com/dp/B013J4LNWC>, Earliest review date of Nov. 21, 2015, downloaded on Jan. 15, 2019.

“Spigen Tough Armor Galaxy S7 Edge Case with Kickstand and Extreme Heavy Duty Protection and Air Cushion Technology for Samsung Galaxy S7 Edge 2016—Gunmetal”, <https://www.amazon.com/dp/B01A7IDNWQ>, Earliest review date of Feb. 24, 2016, Downloaded on Aug. 9, 2018.

“Spigen Tough Armor Galaxy S7 Case with Extreme Heavy Duty Protection and Air Cushion Technology for Samsung Galaxy S7 2016—Gunmetal”, <https://www.amazon.com/dp/B01A7ID3PS>, Earliest review date of Feb. 25, 2016, Downloaded on Aug. 9, 2018.

“Spigen Tough Armor LG G5 Case with Reinforced Kickstand and Heavy Duty Protection and Air Cushion Technology or Lg G5 (2016)—Gunmetal”, <https://www.amazon.com/dp/B01B1GQL61>, Earliest review date of Mar. 11, 2016, Downloaded on Aug. 9, 2018.

“Spigen Tough Armor iPhone SE Case with Extreme Heavy Duty Protection and Air Cushion Technology for iPhone Be 2016—Black”, <https://www.amazon.com/Spigen-Extreme-Protection-Cushion-Technology/dp/B01BEJB9XM>, Earliest review date of Apr. 7, 2016, Downloaded on Aug. 9, 2018.

“Spigen Tough Armor Heavy Duty Extreme Protection Rugged Slim Dual Layer Protective Cover Case for Apple Phone 7—Gunmetal”, <https://www.amazon.co.uk/dp/B01GIVWY30>, Date first available at Amazon.co.uk of Aug. 2, 2016, Downloaded on Sep. 17, 2018.

* cited by examiner

Primary Examiner — Carla J Wright
(74) Attorney, Agent, or Firm — Heedong Chae; Lucem, PC

(57) CLAIM

The ornamental design for a case for electronic communications device, as shown and described.

DESCRIPTION

FIG. 1 is a front perspective view of a case for electronic communications device showing my new design;

FIG. 2 is a rear perspective view thereof;
FIG. 3 is a front elevational view thereof;
FIG. 4 is a rear elevational view thereof;
FIG. 5 is a left side elevational view thereof;
FIG. 6 is a right side elevational view thereof;
FIG. 7 is a top plan view thereof;
FIG. 8 is a bottom plan view thereof;
FIG. 9 is a front perspective view showing the inner shell component of the case separately for clarity of disclosure;
FIG. 10 is a rear perspective view showing the inner shell component of the case separately for clarity of disclosure;
FIG. 11 is a front perspective view showing the outer frame component of the case separately for clarity of disclosure;
FIG. 12 is a rear perspective view showing the outer frame component of the case separately for clarity of disclosure;
FIG. 13 is an exploded front perspective view showing the components of the case separated for clarity of disclosure;
and,

FIG. 14 is an exploded rear perspective view showing the components of the case separated for clarity of disclosure. Although the case for electronic communications device, in which the claimed device is embodied, consists of an inner shell component and an outer frame component, the claim is directed to the ornamental appearance of the case in its entirety and does not extend to the ornamental appearance of each of the individual components.

The broken lines throughout the drawing figures illustrate portions of the case for electronic communications device that form no part of the claimed design. The broken lines and regions bounded by broken lines form no part of the claimed design.

1 Claim, 14 Drawing Sheets

FIG. 1

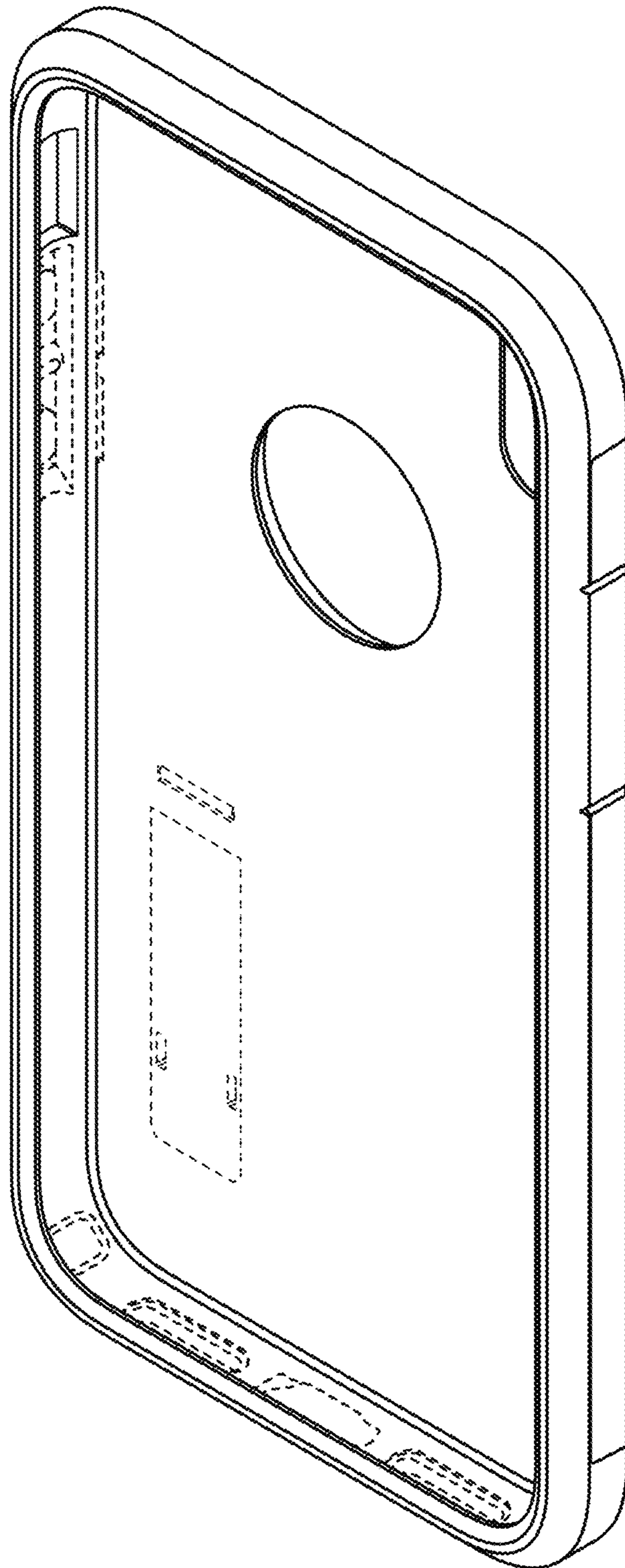


FIG. 2

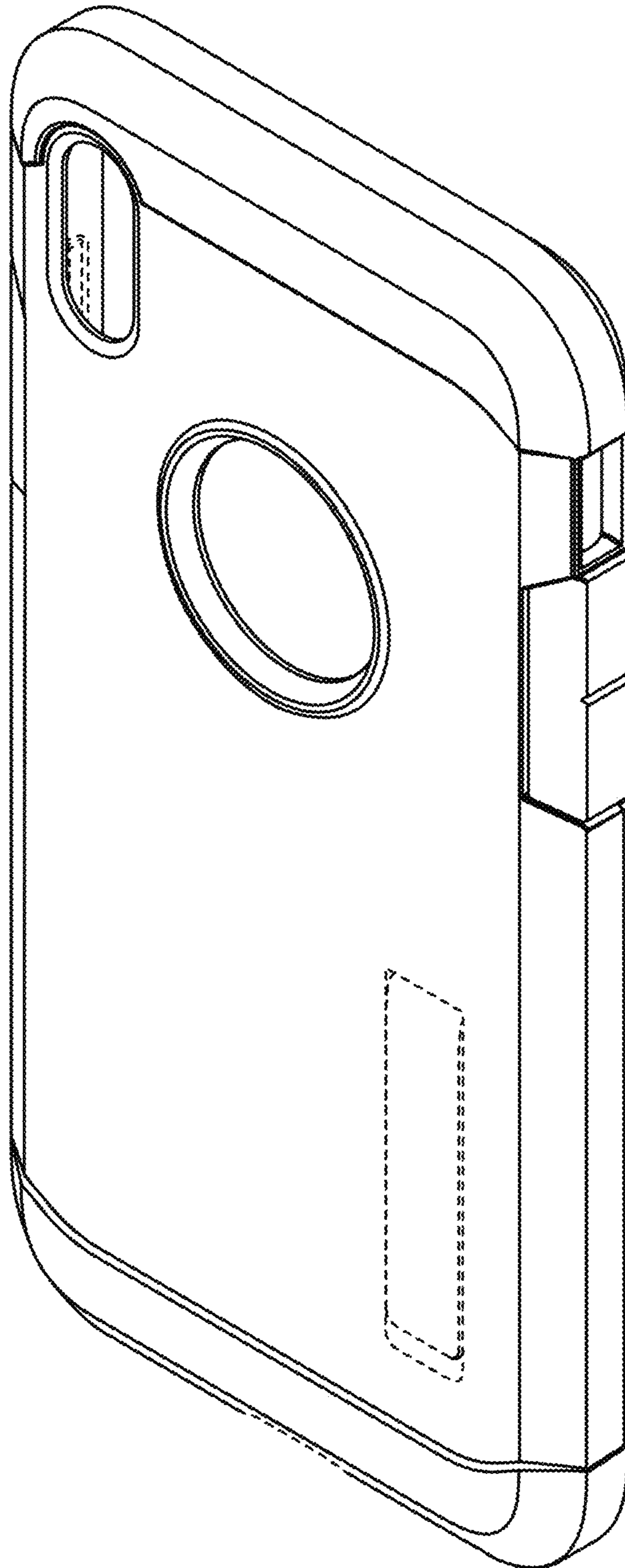


FIG. 3

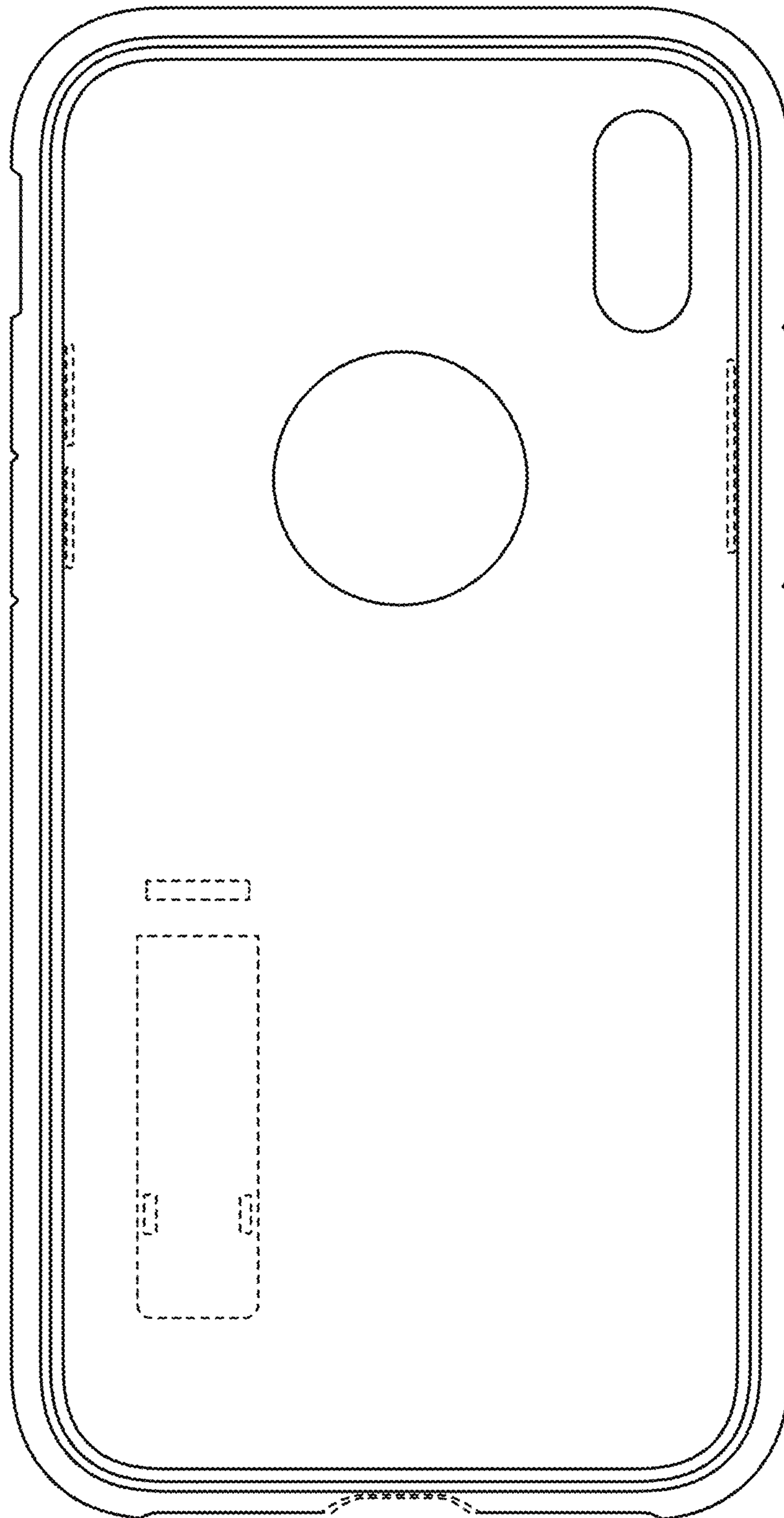


FIG. 4

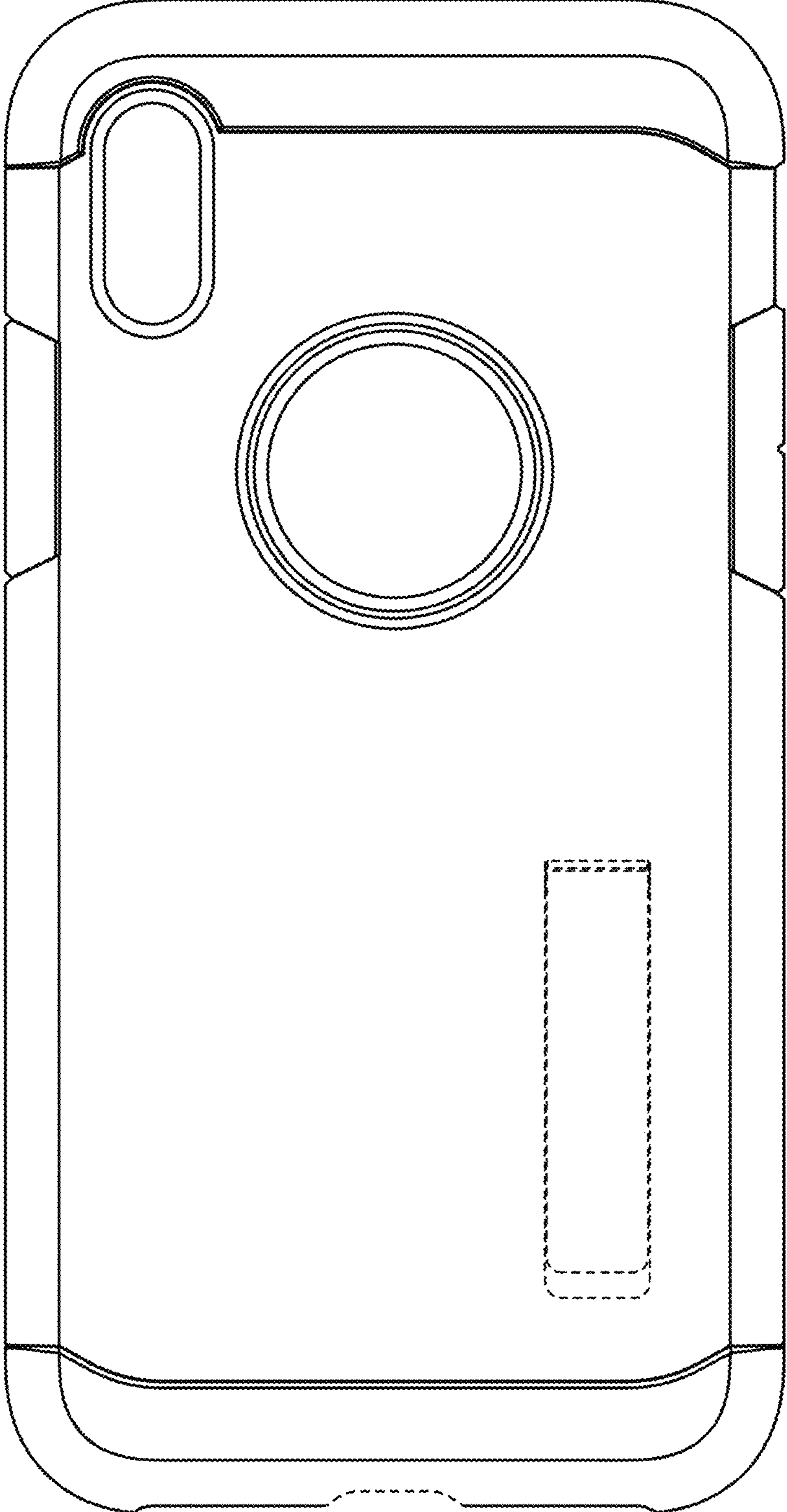


FIG. 5

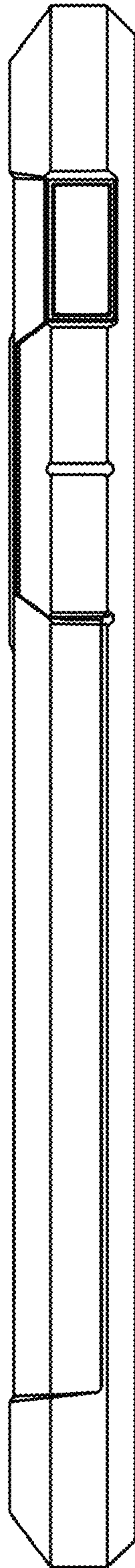


FIG. 6

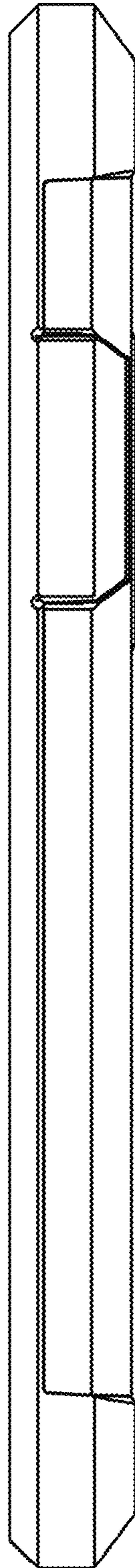


FIG. 7

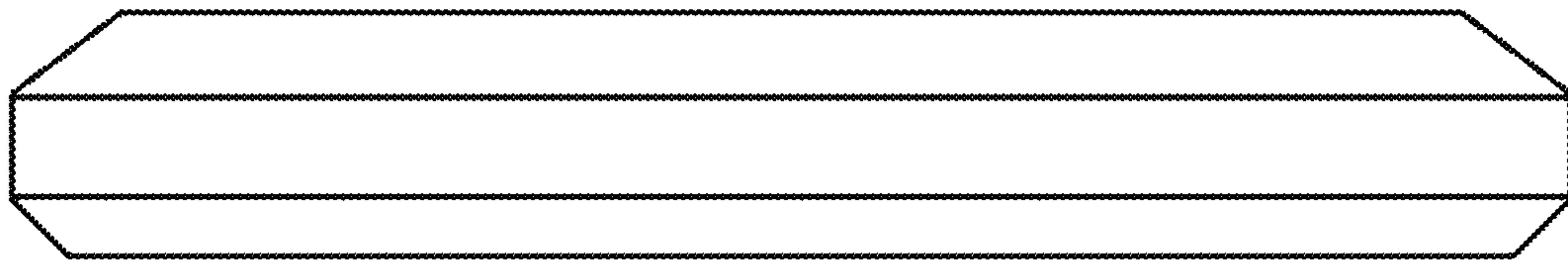


FIG. 8

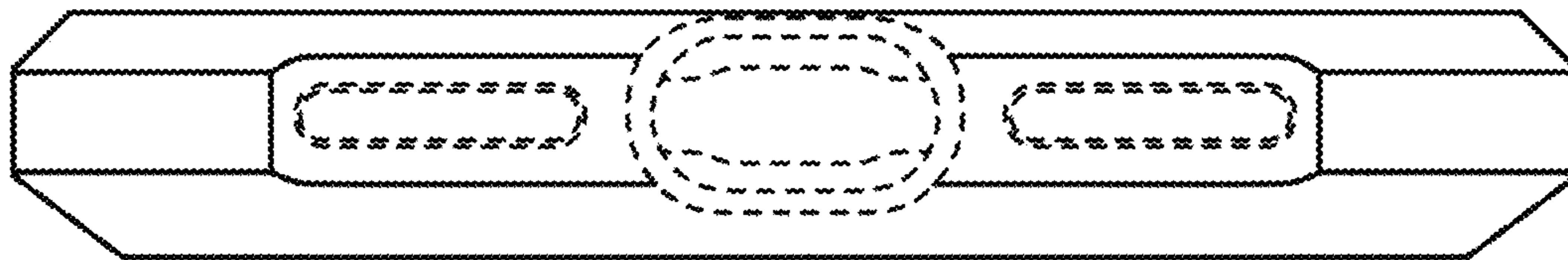


FIG. 9

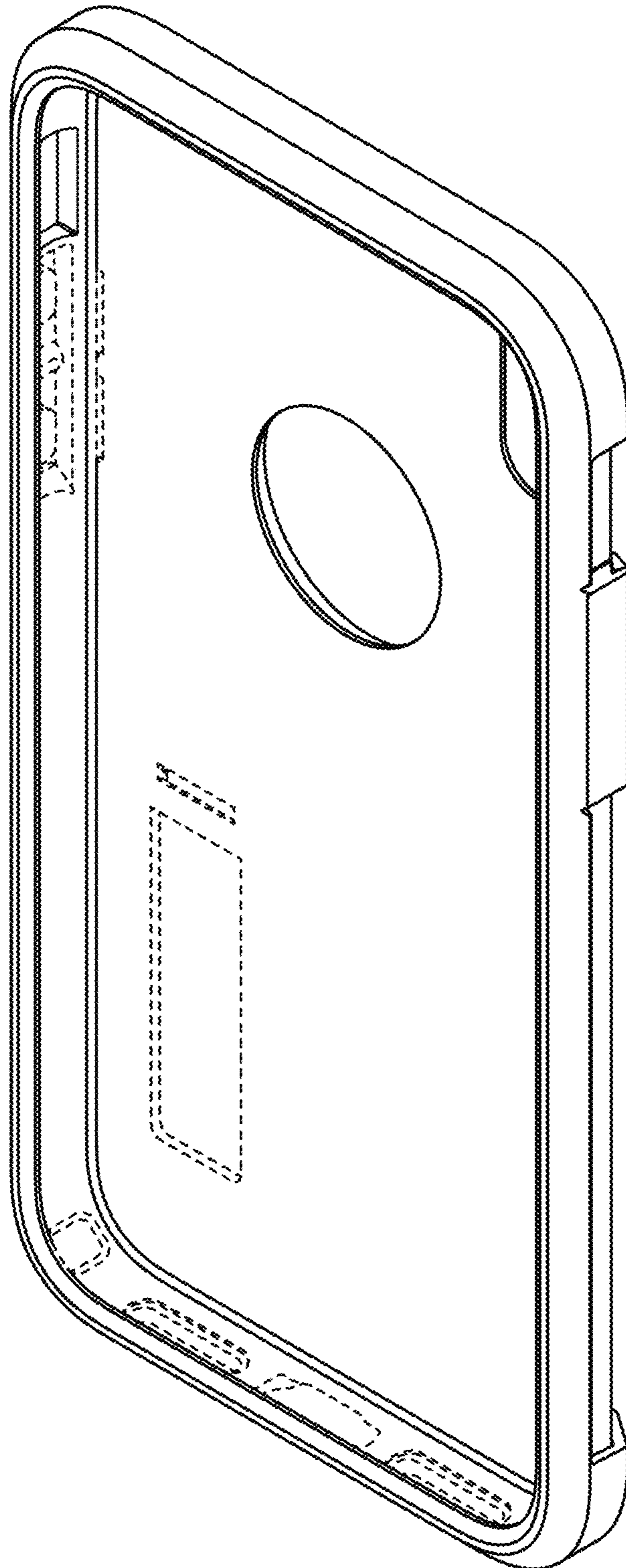


FIG. 10

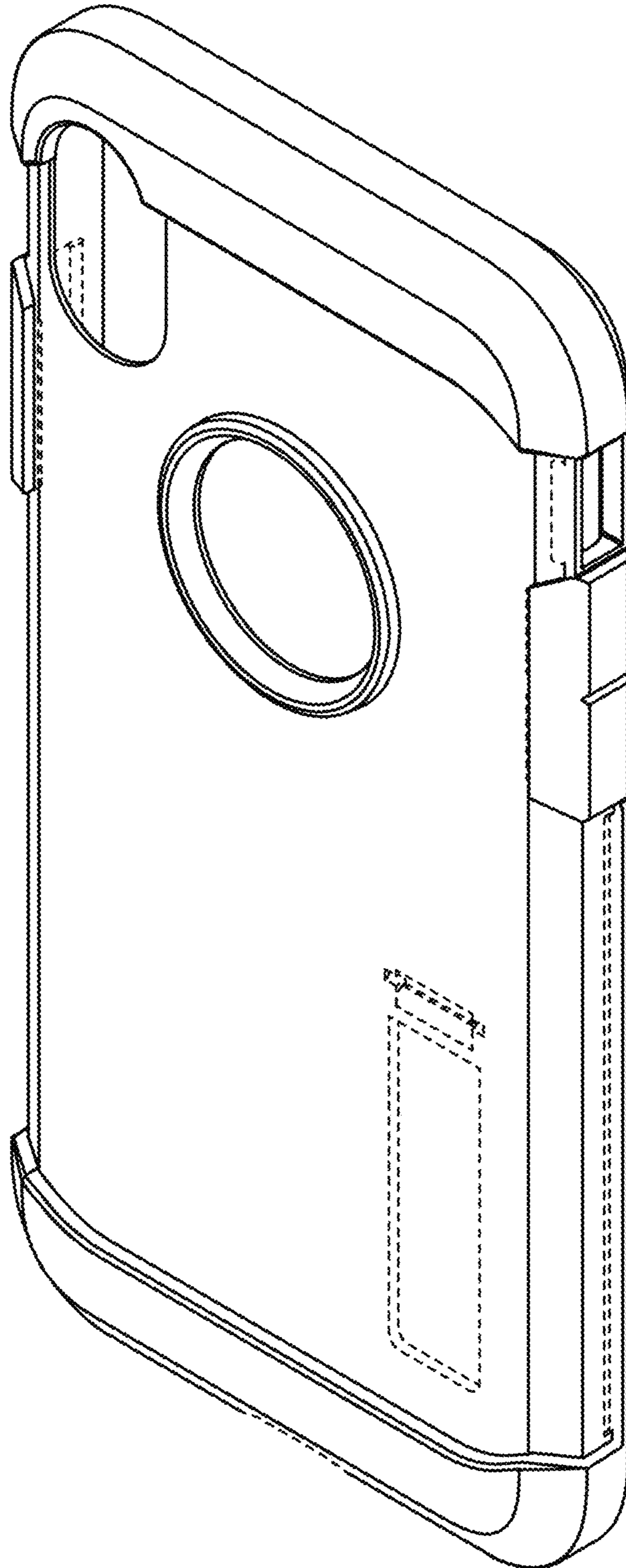


FIG. 11

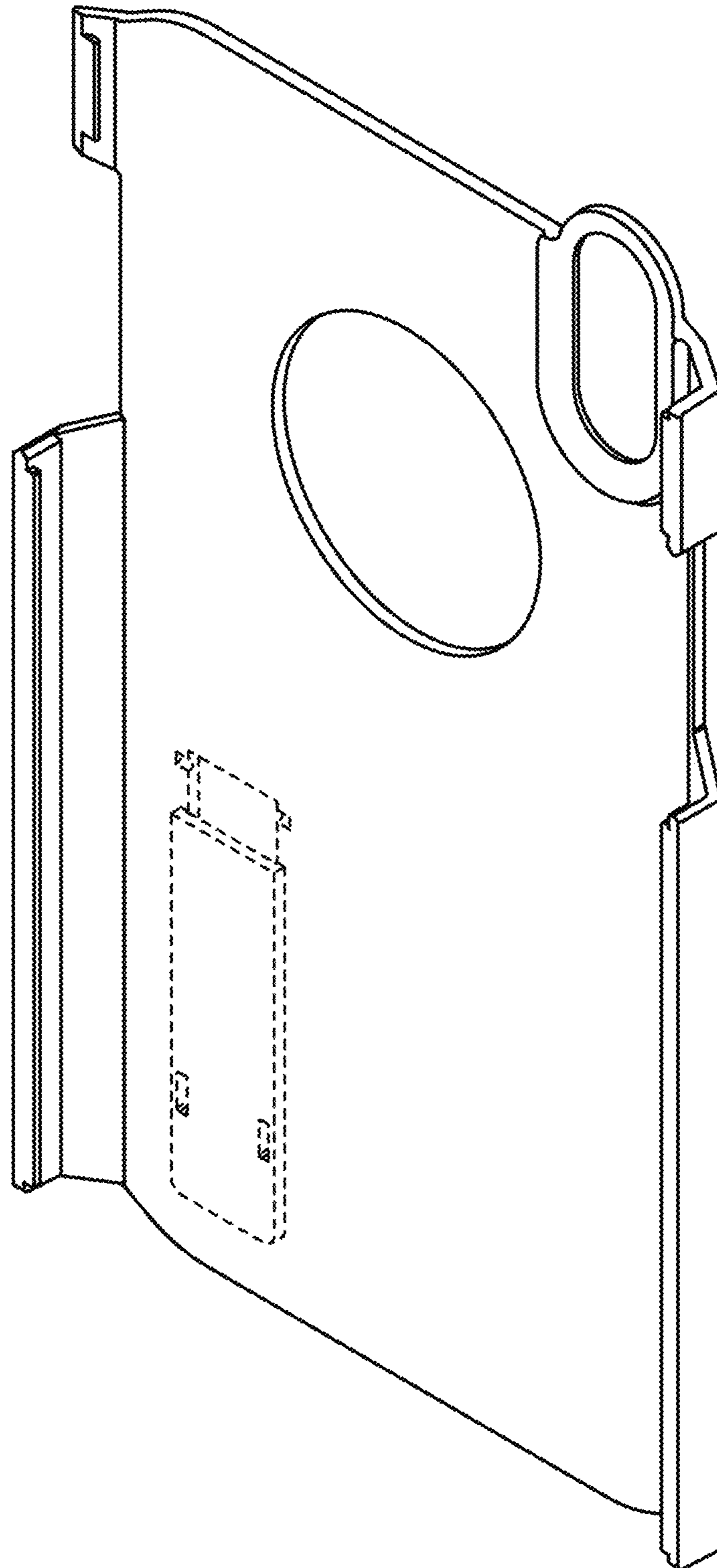


FIG. 12

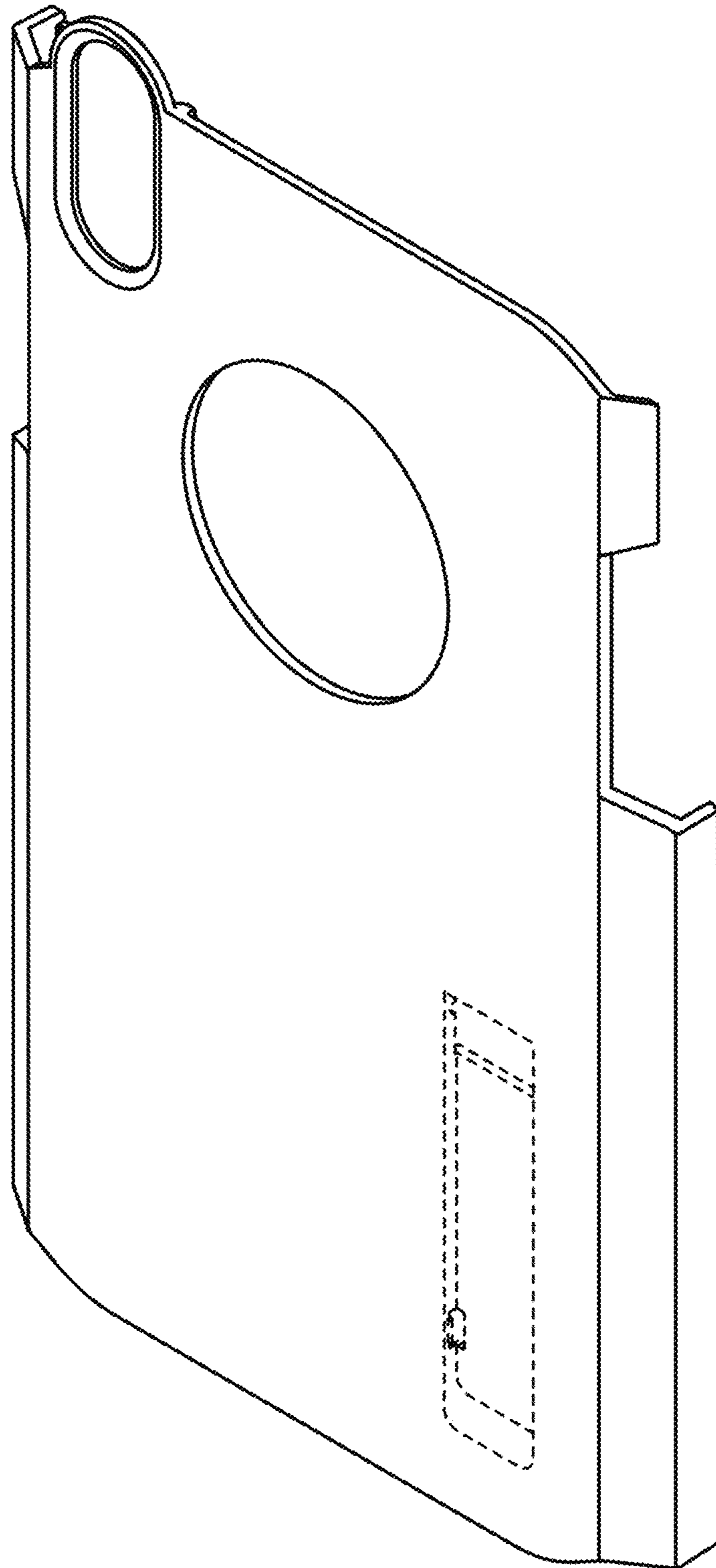


FIG. 13



FIG. 14

