



US00D883269S

(12) **United States Design Patent** (10) **Patent No.:** **US D883,269 S**
Akana et al. (45) **Date of Patent:** **** May 5, 2020**

(54) **CASE FOR ELECTRONIC DEVICE**

(71) Applicant: **Apple Inc.**, Cupertino, CA (US)

(72) Inventors: **Jody Akana**, San Francisco, CA (US); **Bartley K. Andre**, Palo Alto, CA (US); **Shota Aoyagi**, San Francisco, CA (US); **Jeremy Bataillou**, San Francisco, CA (US); **Daniel J. Coster**, San Francisco, CA (US); **Daniele De Iuliis**, San Francisco, CA (US); **M. Evans Hankey**, San Francisco, CA (US); **Julian Hoenig**, San Francisco, CA (US); **Richard P. Howarth**, San Francisco, CA (US); **Jonathan P. Ive**, San Francisco, CA (US); **Duncan Robert Kerr**, San Francisco, CA (US); **Matthew Dean Rohrbach**, San Francisco, CA (US); **Peter Russell-Clarke**, San Francisco, CA (US); **Mikael Silvanto**, San Francisco, CA (US); **Christopher J. Stringer**, Woodside, CA (US); **Eugene Antony Whang**, San Francisco, CA (US); **Rico Zörkendörfer**, San Francisco, CA (US)

(73) Assignee: **Apple Inc.**, Cupertino, CA (US)

(**) Term: **15 Years**

(21) Appl. No.: **29/656,726**

(22) Filed: **Jul. 16, 2018**

Related U.S. Application Data

(63) Continuation of application No. 29/545,177, filed on Nov. 10, 2015, now Pat. No. Des. 823,291, which is (Continued)

(51) **LOC (12) Cl.** **14-03**

(52) **U.S. Cl.**
USPC **D14/250**

(58) **Field of Classification Search**

USPC D14/250–253, 440, 203.3–203.7, 217, D14/496, 248, 238.1, 240, 447, 230, 247, (Continued)

(56) **References Cited**

U.S. PATENT DOCUMENTS

D114,891 S 5/1939 Fodel
D191,070 S 8/1961 McCreery
(Continued)

FOREIGN PATENT DOCUMENTS

KR 30-0631697 3/2012

Primary Examiner — Holly E Thurman

(74) *Attorney, Agent, or Firm* — Sterne, Kessler, Goldstein & Fox P.L.L.C.

(57) **CLAIM**

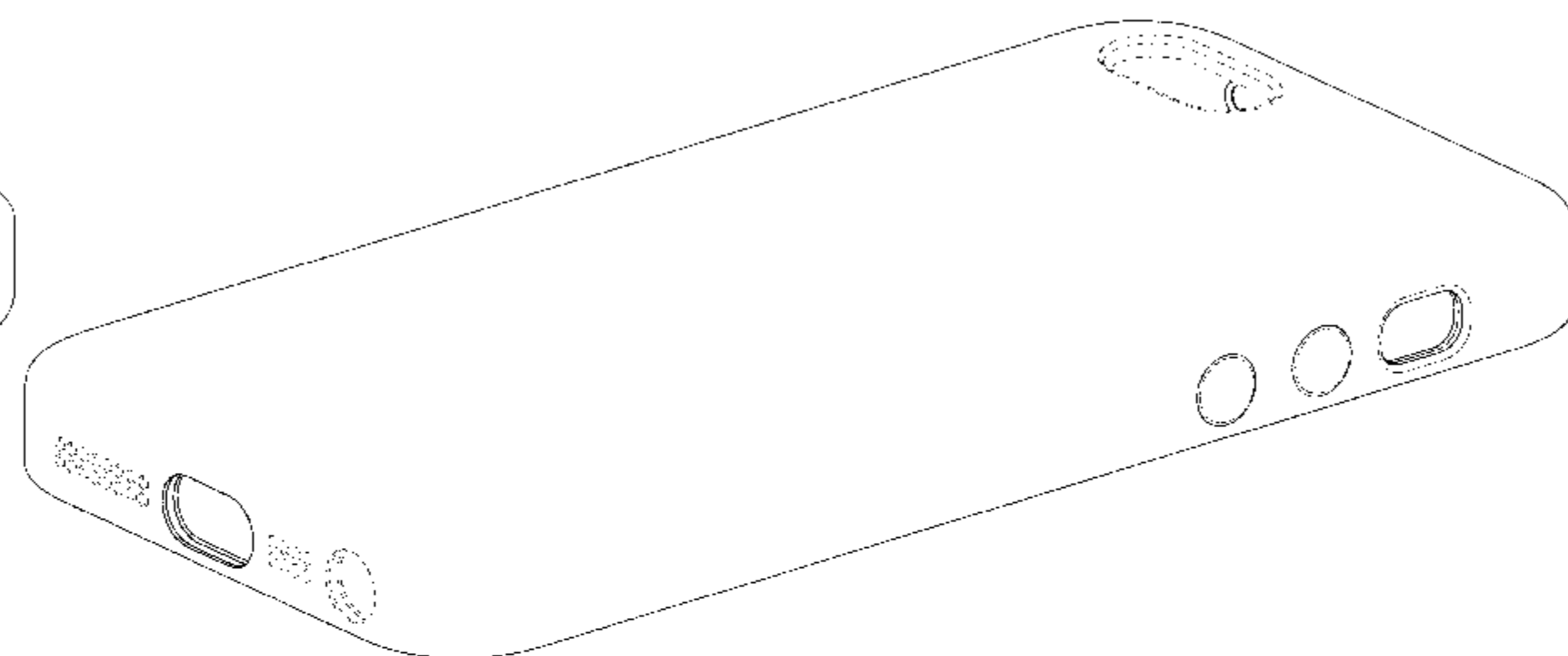
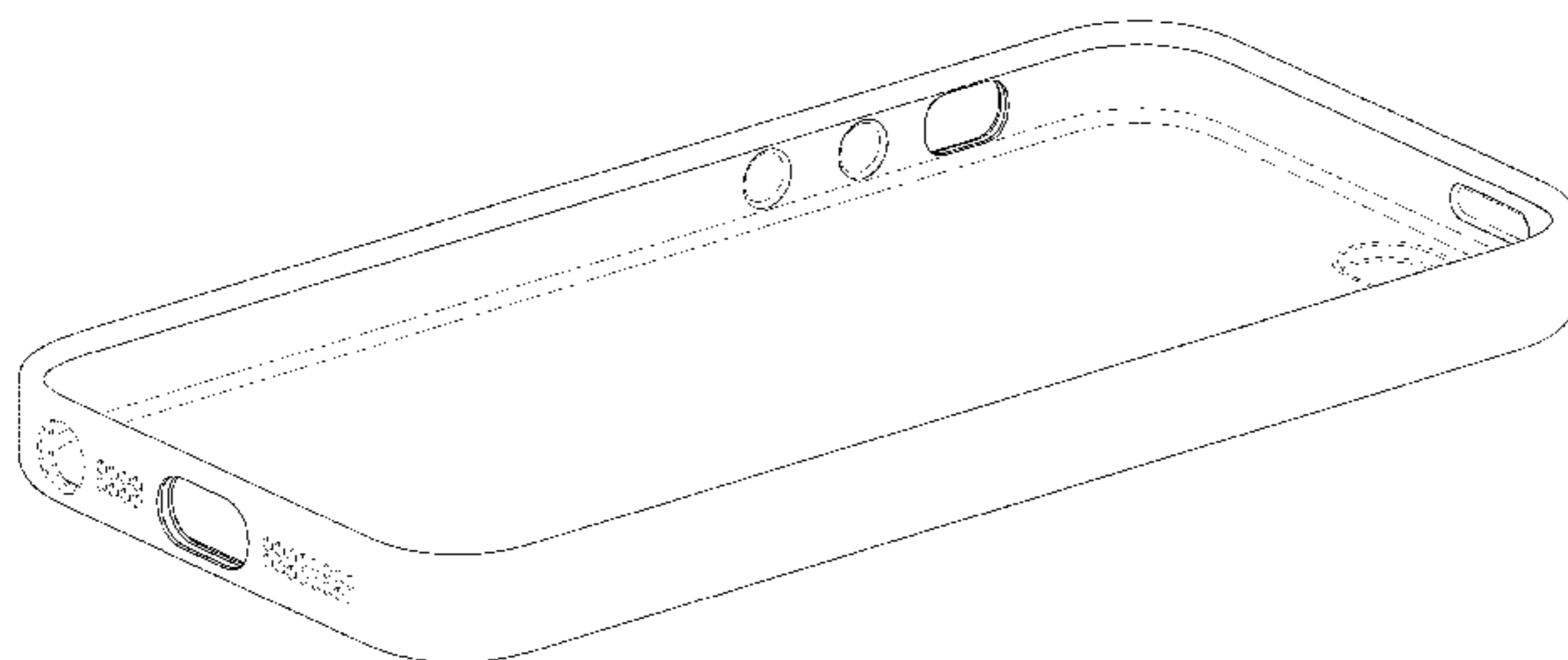
The ornamental design for a case for electronic device, as shown and described.

DESCRIPTION

FIG. 1 is a bottom front perspective view of a case for electronic device showing the claimed design; FIG. 2 is a bottom rear perspective view thereof; FIG. 3 is a top front perspective view thereof; FIG. 4 is a top rear perspective view thereof; FIG. 5 is a front view thereof; FIG. 6 is a rear view thereof; FIG. 7 is a left side view thereof; FIG. 8 is a right side view thereof; FIG. 9 is a top view thereof; and, FIG. 10 is a bottom view thereof.

The broken lines in the figures show portions of the case for electronic device that form no part of the claimed design.

1 Claim, 8 Drawing Sheets



Related U.S. Application Data

a continuation of application No. 29/466,580, filed on Sep. 9, 2013, now Pat. No. Des. 743,389.

(58) **Field of Classification Search**

USPC D14/341, 345, 346, 439; D3/201, 218, D3/269, 301, 273, 303, 247, 249; D13/103, 107-108, 119
 CPC . A45C 2011/002; A45C 11/00; A45C 13/002; A45C 2011/003; H04M 1/0283; H04M 1/0202

See application file for complete search history.

(56) **References Cited**

U.S. PATENT DOCUMENTS

D411,448 S 6/1999 Baker
 D556,681 S 12/2007 Kim
 D558,756 S 1/2008 Andre et al.
 D558,757 S 1/2008 Andre et al.
 D574,819 S 8/2008 Andre et al.
 D575,056 S 8/2008 Tan
 D580,387 S 11/2008 Andre et al.
 D582,405 S 12/2008 Andre et al.
 D600,241 S 9/2009 Andre et al.
 D602,015 S 10/2009 Andre et al.
 D602,017 S 10/2009 Andre et al.
 D606,529 S 12/2009 Ferrari et al.
 D606,751 S 12/2009 Andre et al.
 7,697,281 B2 4/2010 Dabov et al.

D619,361 S 7/2010 Andre et al.
 D622,716 S 8/2010 Andre et al.
 D623,180 S 9/2010 Diebel
 D624,403 S 9/2010 Hansen et al.
 7,796,381 B2 9/2010 Zuo et al.
 D624,815 S 10/2010 Hansen et al.
 D625,524 S 10/2010 Schwartz et al.
 D644,218 S 8/2011 Akana et al.
 D647,519 S 10/2011 Rothbaum et al.
 D648,718 S 11/2011 Andre et al.
 D662,503 S 6/2012 Akana et al.
 8,250,724 B2 8/2012 Dabov et al.
 D669,071 S 10/2012 Akana et al.
 D671,930 S 12/2012 Akana et al.
 D674,789 S 1/2013 Wen
 D677,664 S 3/2013 Akana et al.
 D681,032 S 4/2013 Akana et al.
 D684,571 S 6/2013 Akana et al.
 D692,878 S 11/2013 Akana et al.
 D697,068 S 1/2014 Andre et al.
 D699,717 S 2/2014 Akana et al.
 8,655,422 B2 2/2014 Stiehl et al.
 D706,255 S 6/2014 Akana et al.
 D714,770 S 10/2014 Nolan et al.
 D719,559 S 12/2014 Dukershein et al.
 D721,360 S 1/2015 Laffon de Mazieres et al.
 D732,518 S * 6/2015 Akana D14/250
 D759,008 S 6/2016 Akana et al.
 D823,291 S * 7/2018 Akana D14/250
 2010/0146766 A1 6/2010 Dabov et al.
 2011/0192510 A1 8/2011 Bau
 2012/0018325 A1 1/2012 Kim

* cited by examiner

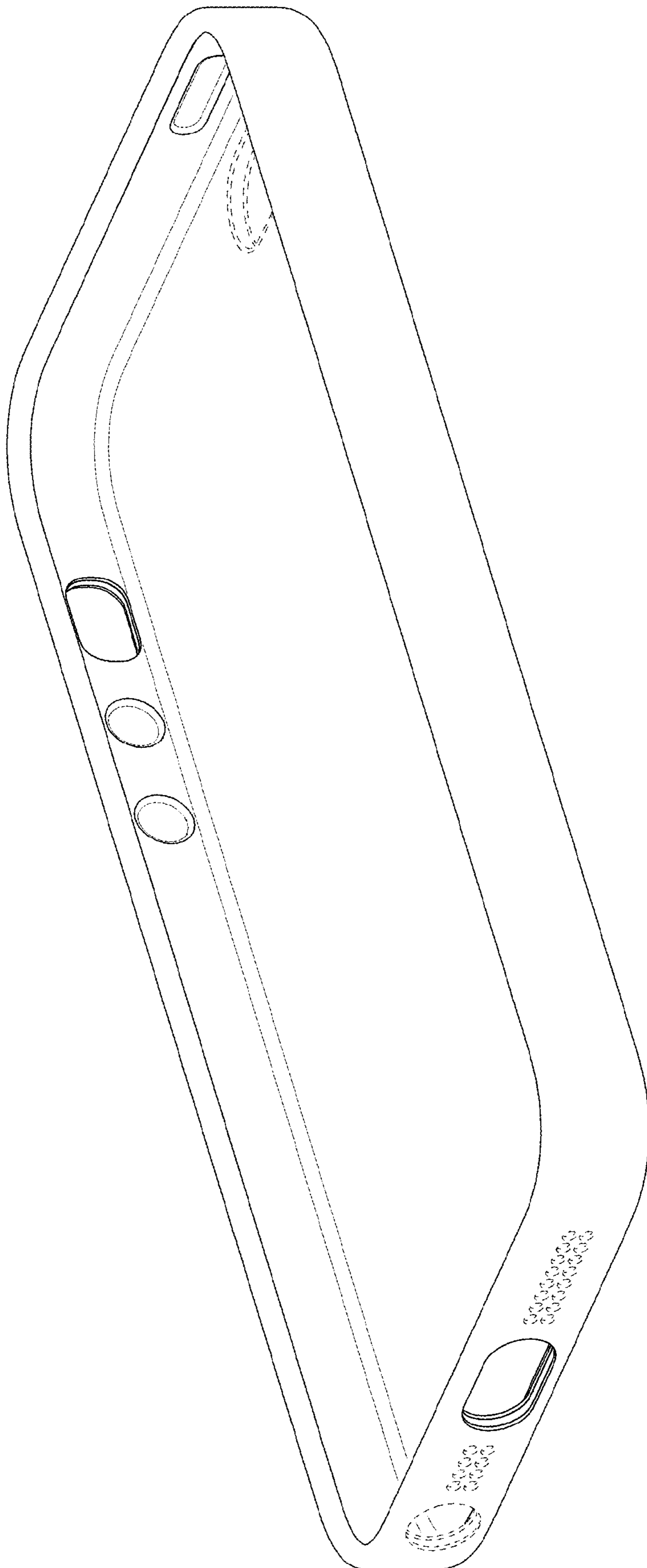


FIG. 1

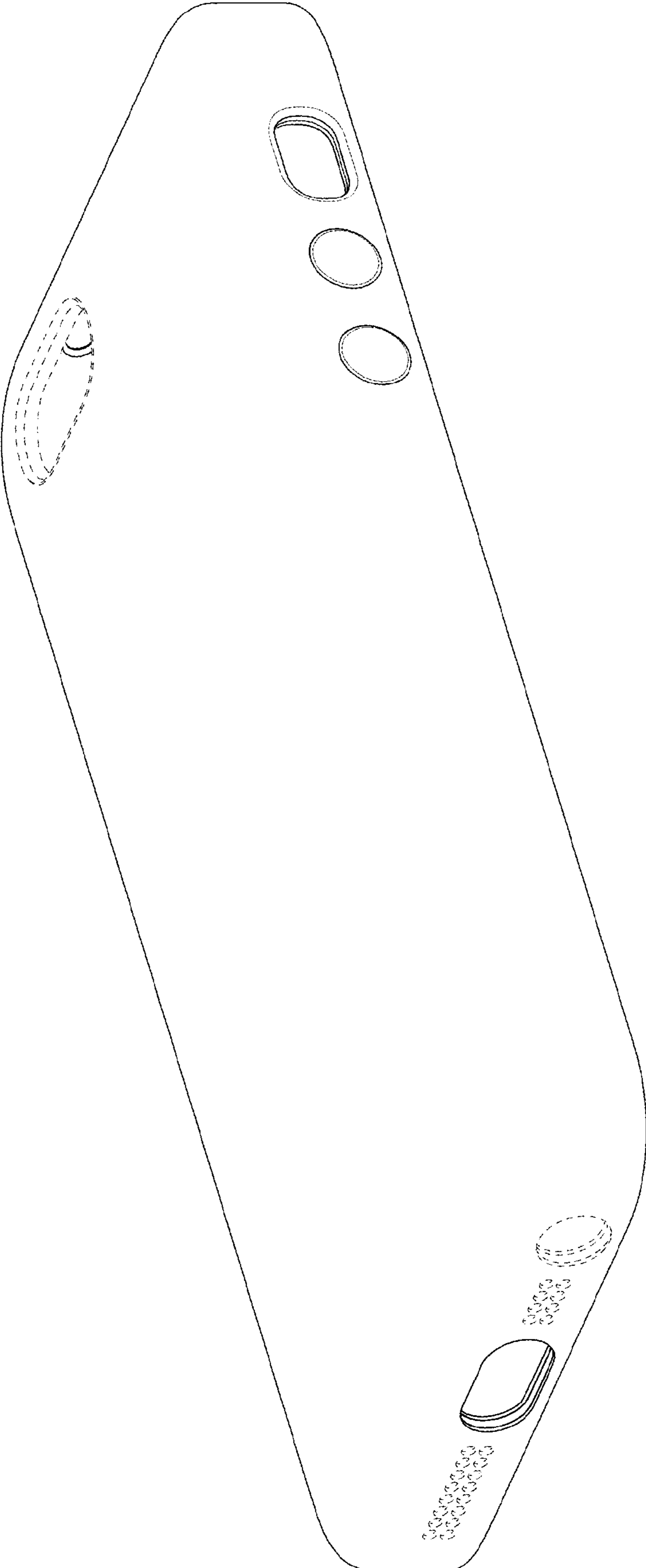


FIG. 2

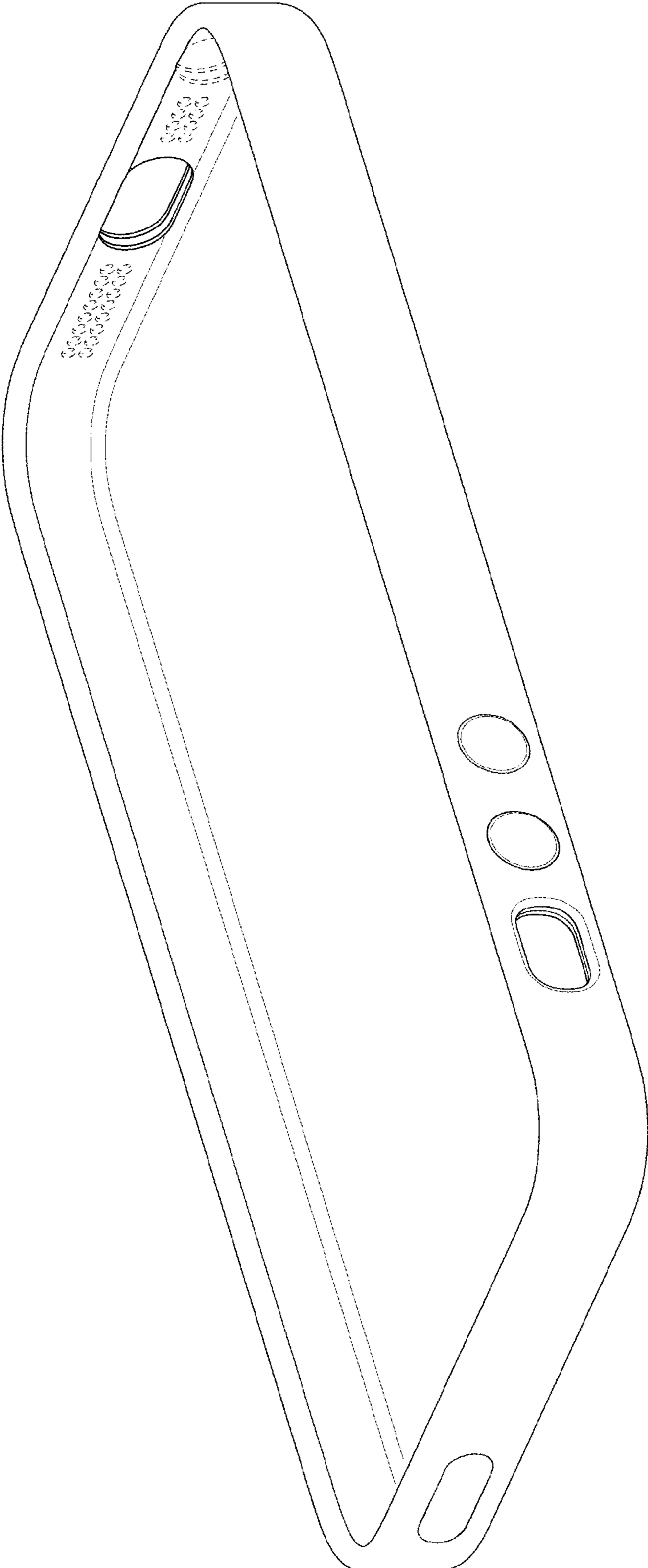


FIG. 3

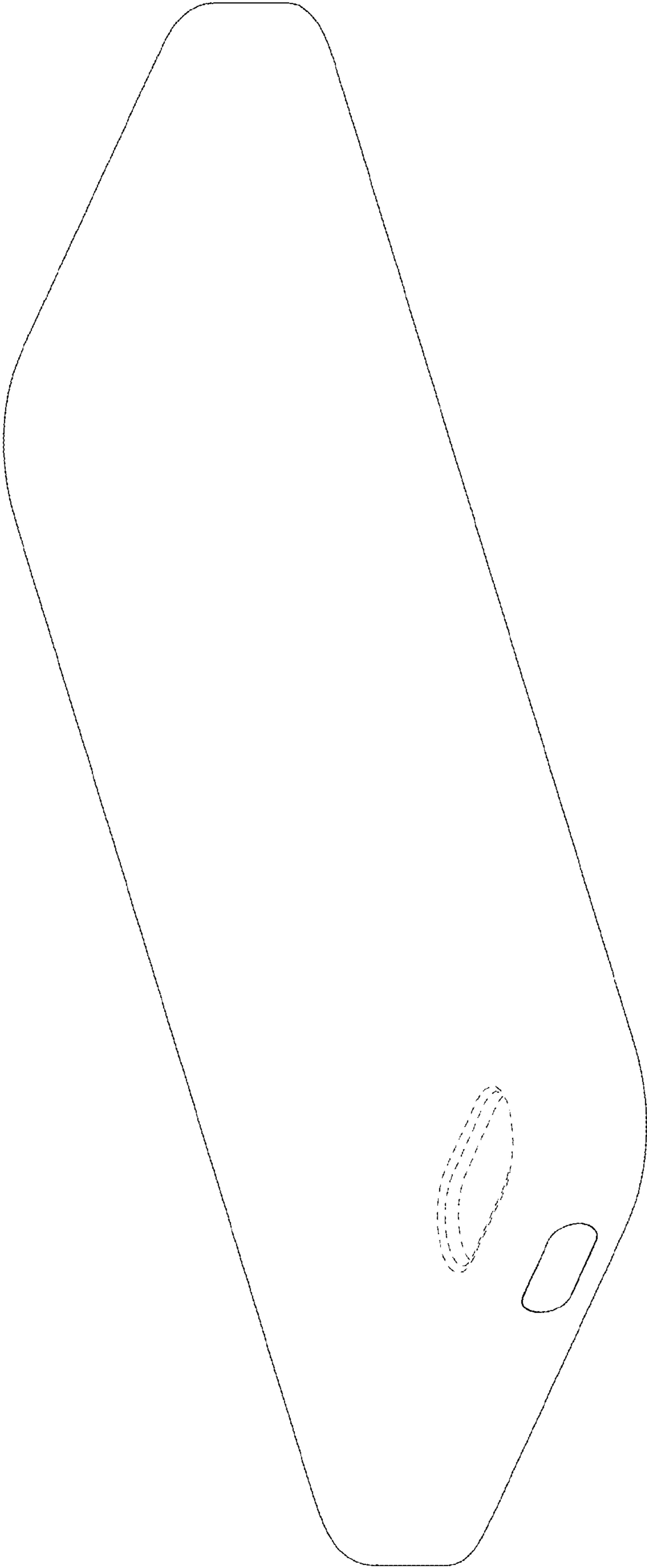


FIG. 4

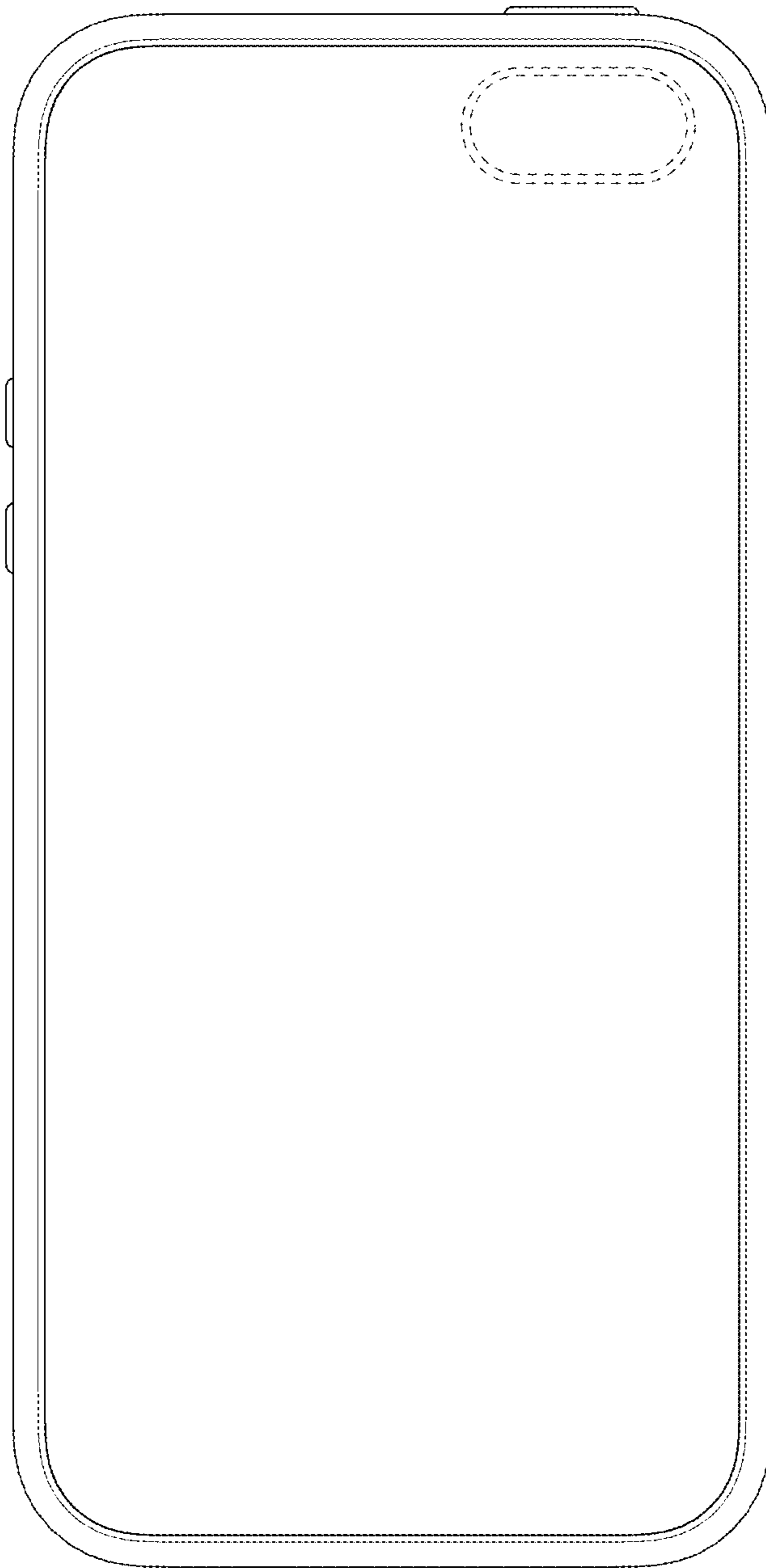


FIG. 5

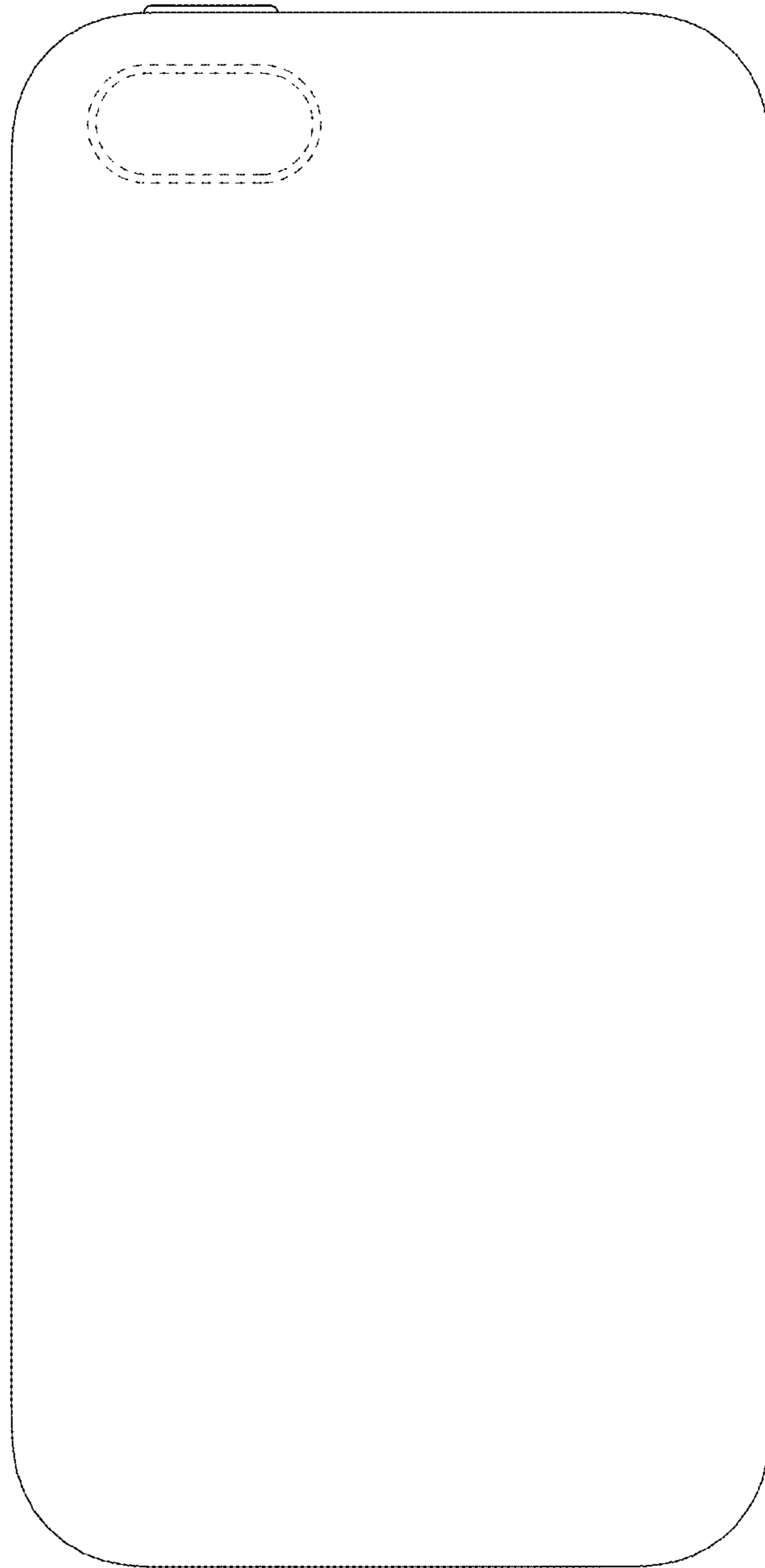


FIG. 6



FIG. 7

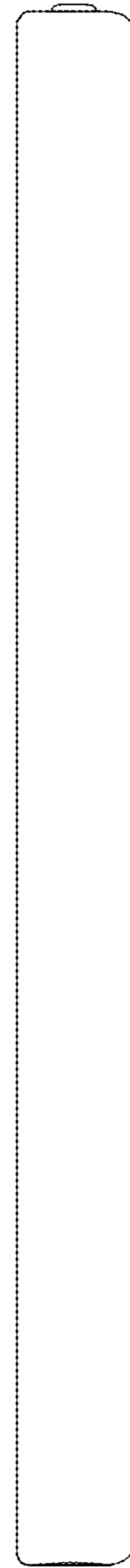


FIG. 8

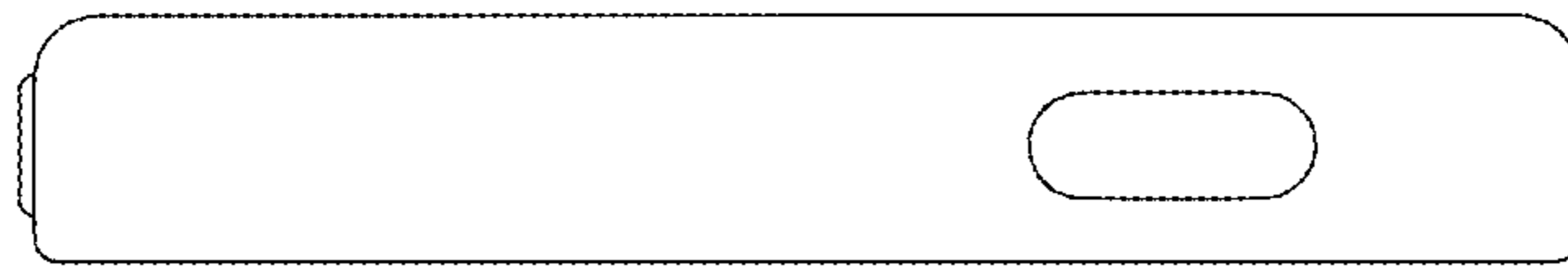


FIG. 9

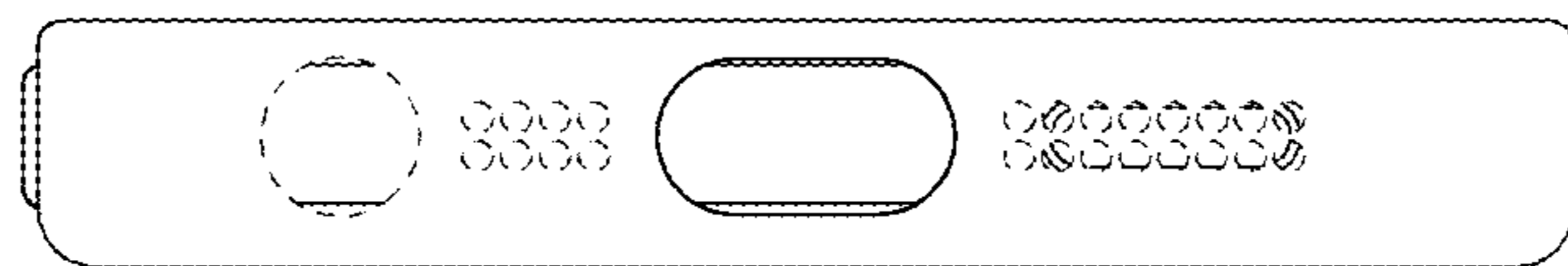


FIG. 10