



US00D883268S

(12) **United States Design Patent**  
**Daniel**

(10) **Patent No.:** **US D883,268 S**

(45) **Date of Patent:** **\*\* May 5, 2020**

(54) **PHONE CASE**

(71) Applicant: **Javary Daniel**, Houston, TX (US)

(72) Inventor: **Javary Daniel**, Houston, TX (US)

(\*\*) Term: **15 Years**

(21) Appl. No.: **29/627,760**

(22) Filed: **Nov. 29, 2017**

(51) **LOC (12) Cl.** ..... **14-03**

(52) **U.S. Cl.**  
USPC ..... **D14/250; D14/251**

(58) **Field of Classification Search**  
USPC ..... D3/201, 218, 226, 227, 247, 249, 250,  
D3/269, 303; D13/103, 107, 108, 119;  
D14/137, 138 R, 138 AA, 138 C, 138 G,  
D14/172, 192, 203.3–203.7, 217, 238.1,  
D14/247, 248, 250–253, 434, 440, 447,  
D14/496  
CPC ..... H04B 1/3888; H04M 1/0283;  
H04M 1/0202; A45C 1/06; A45C  
2011/002; A45C 11/00; A45F 2005/028;  
A45F 2200/0525

See application file for complete search history.

(56) **References Cited**

**U.S. PATENT DOCUMENTS**

- 4,754,499 A \* 7/1988 Pirie ..... A41D 13/082  
2/20
- D381,129 S \* 7/1997 Lawrence ..... D29/113
- D467,828 S \* 12/2002 Jones ..... D11/26
- D641,154 S \* 7/2011 Smith ..... D3/218
- D651,205 S \* 12/2011 Soekoro ..... D14/250
- D654,127 S \* 2/2012 Blackstock ..... D21/694
- D674,380 S \* 1/2013 Soekoro ..... D14/250
- D687,026 S \* 7/2013 Ruvolo ..... D14/250
- 8,528,798 B2 9/2013 Chen
- 8,550,317 B2 10/2013 Hyseni
- D711,866 S \* 8/2014 Kawata ..... D14/250

- 8,887,970 B2 11/2014 Tsai et al.
- 8,950,638 B2 2/2015 Wangercyn, Jr.
- 9,033,384 B2 \* 5/2015 Potter ..... A45F 5/10  
294/25
- 9,038,871 B2 \* 5/2015 Atwood ..... G06F 1/1613  
224/218
- 9,137,915 B2 \* 9/2015 McCurdy ..... A45C 13/002
- 9,198,307 B1 \* 11/2015 Lacy ..... A45F 5/00
- 9,204,711 B2 \* 12/2015 Schaffer ..... A45F 5/00
- 9,259,076 B2 \* 2/2016 Gayler ..... G06F 1/1628
- 9,392,865 B2 \* 7/2016 Shmulevich ..... A45F 5/10
- 9,397,717 B2 \* 7/2016 Curran ..... H04B 1/385

(Continued)

**OTHER PUBLICATIONS**

Stella McCartney Ring iPhone Case, publication date Aug. 26, 2016, [online][site visited Jun. 3, 2019] URL: <https://twitter.com/ladymelbourne/status/769366968394653696> (Year: 2016).\*

*Primary Examiner* — Carla J Wright

*Assistant Examiner* — L. A. Grabenstetter

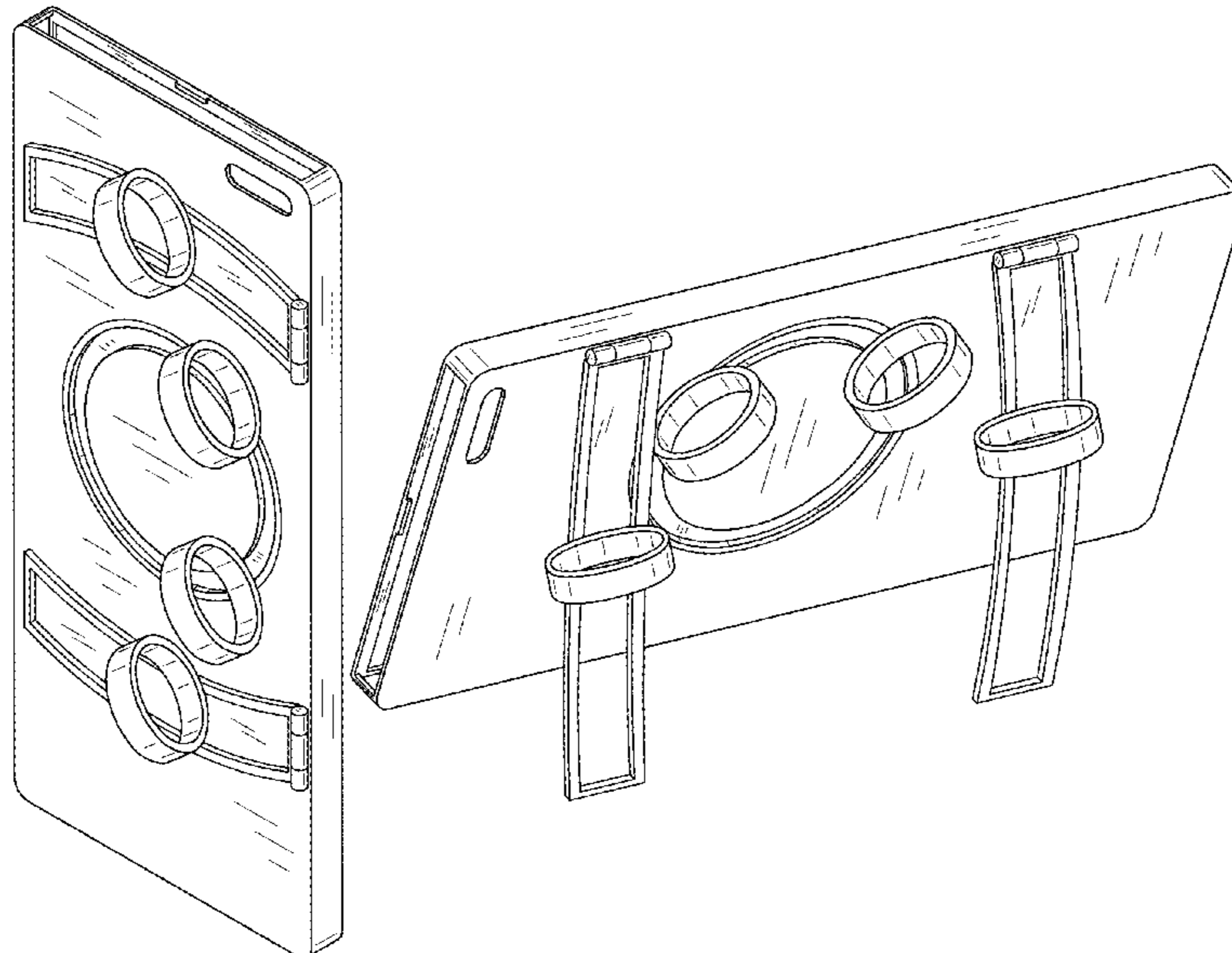
(57) **CLAIM**

The ornamental design for a phone case, as shown and described.

**DESCRIPTION**

FIG. 1 is a front view of a phone case showing my new design;  
 FIG. 2 is a rear view of the phone case;  
 FIG. 3 is a left side view of the phone case;  
 FIG. 4 is a right side view of the phone case;  
 FIG. 5 is an enlarged top view of the phone case;  
 FIG. 6 is an enlarged bottom view of the phone case;  
 FIG. 7 is a top front side perspective view of the phone case;  
 FIG. 8 is a top rear side perspective view of the phone case;  
 and,  
 FIG. 9 is a top front side perspective view of the phone case, with the stand elements shown in an extended condition.

**1 Claim, 6 Drawing Sheets**



(56)

**References Cited**

U.S. PATENT DOCUMENTS

D775,619 S \* 1/2017 Tien ..... D14/250  
9,653,934 B2 \* 5/2017 Forristall ..... H02J 7/0054  
9,705,552 B1 \* 7/2017 Tall ..... H04B 1/3888  
D793,495 S \* 8/2017 Ffrench ..... D21/684  
9,723,910 B2 \* 8/2017 Due ..... A45F 5/10  
2009/0270050 A1 10/2009 Brown  
2011/0266316 A1 11/2011 Ghalib et al.  
2012/0031937 A1 \* 2/2012 Baker ..... A45C 11/00  
224/217  
2013/0148271 A1 \* 6/2013 Huang ..... H04B 1/3888  
361/679.01  
2016/0049983 A1 \* 2/2016 Ripka ..... H04B 1/385  
455/575.6

\* cited by examiner

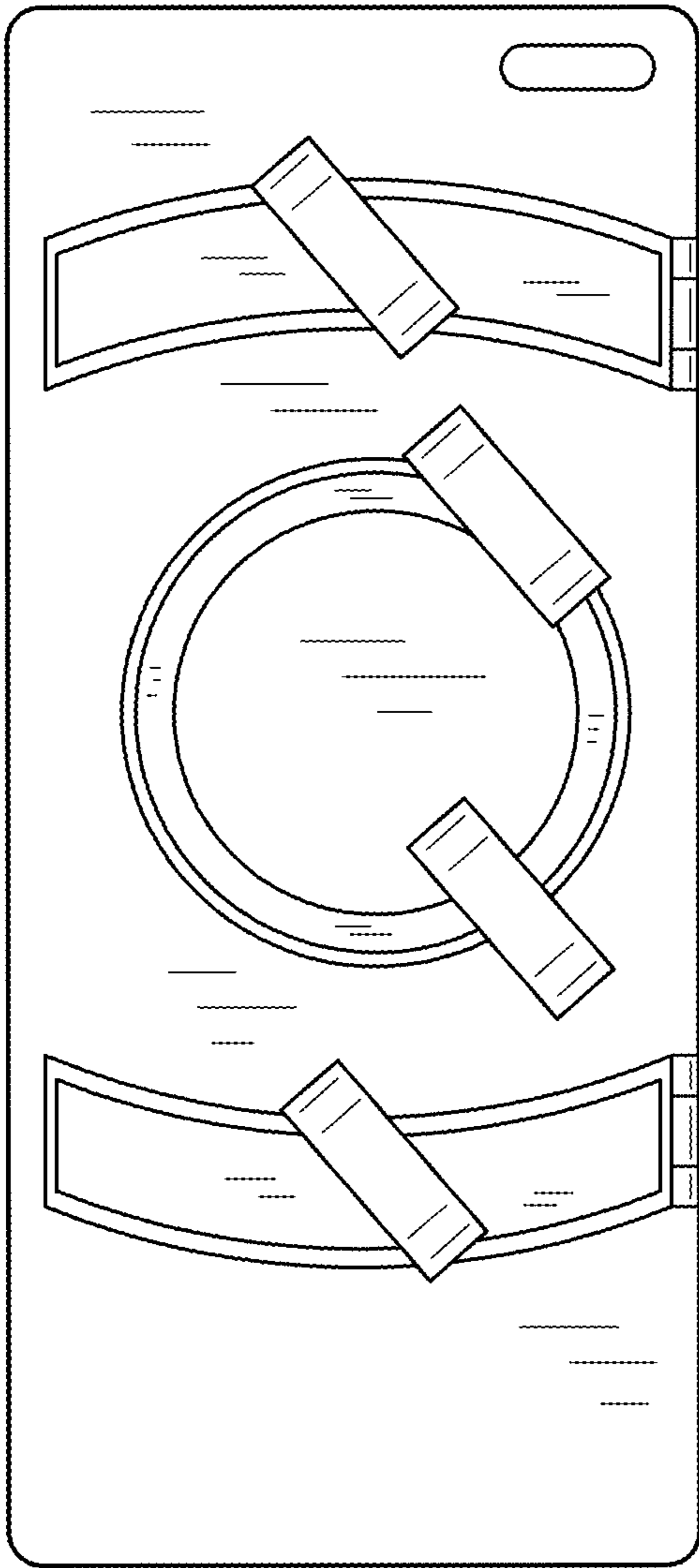


FIG. 1

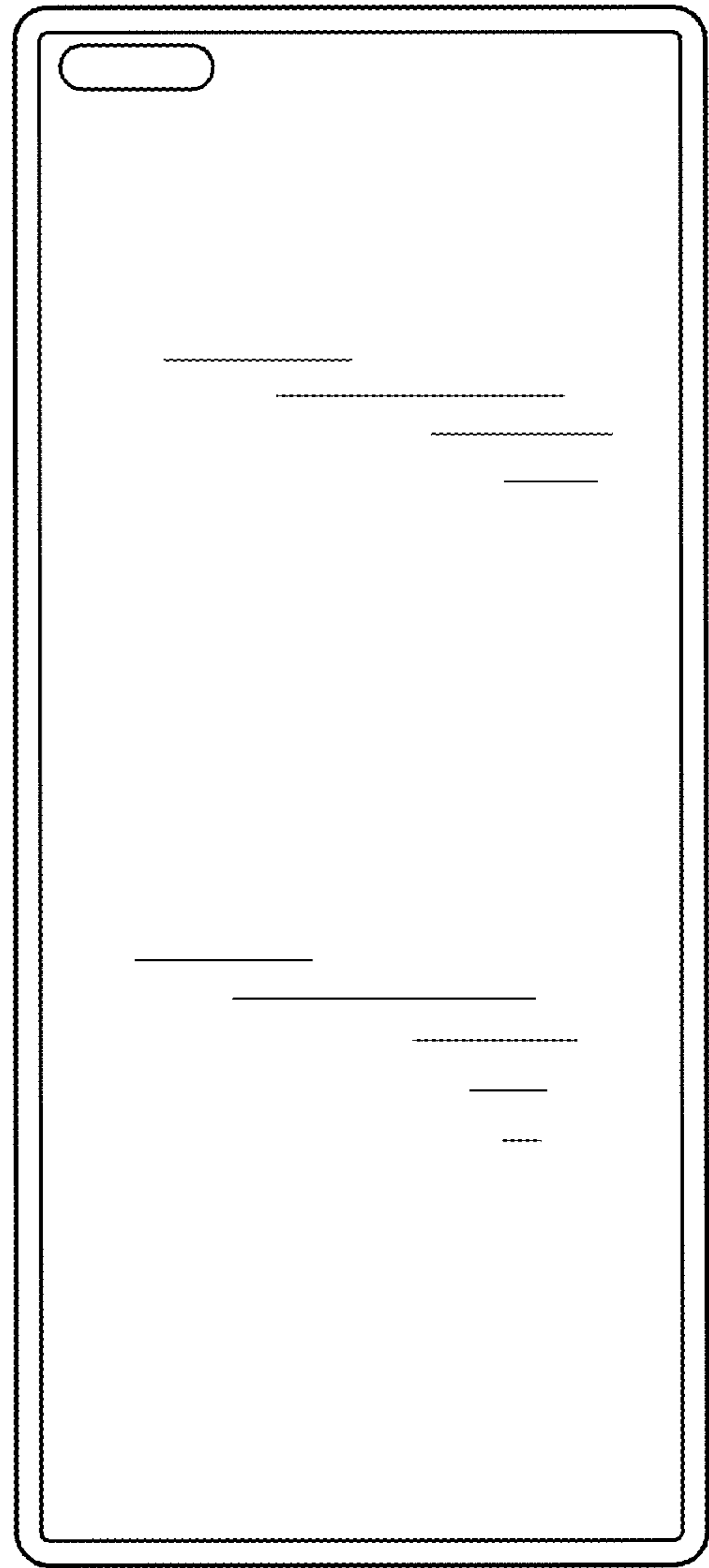


FIG. 2

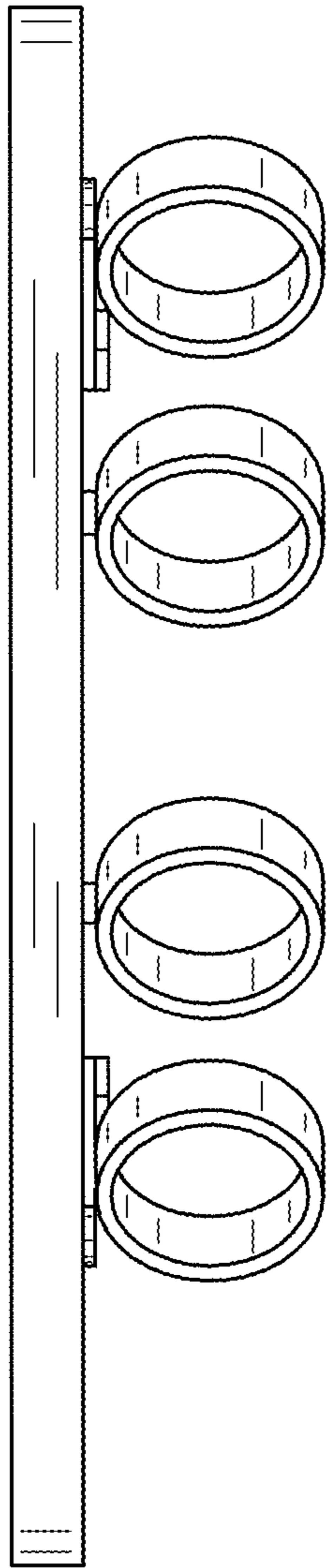


FIG. 3

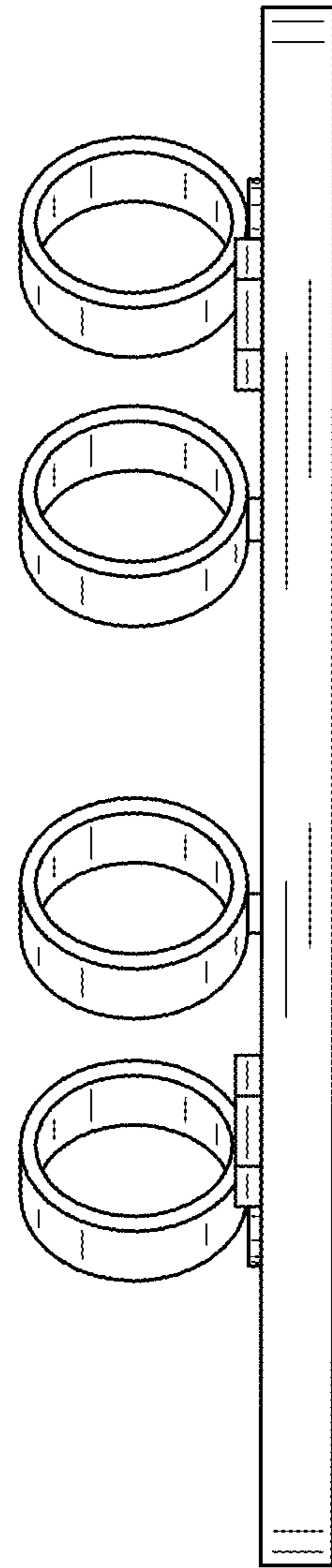


FIG. 4

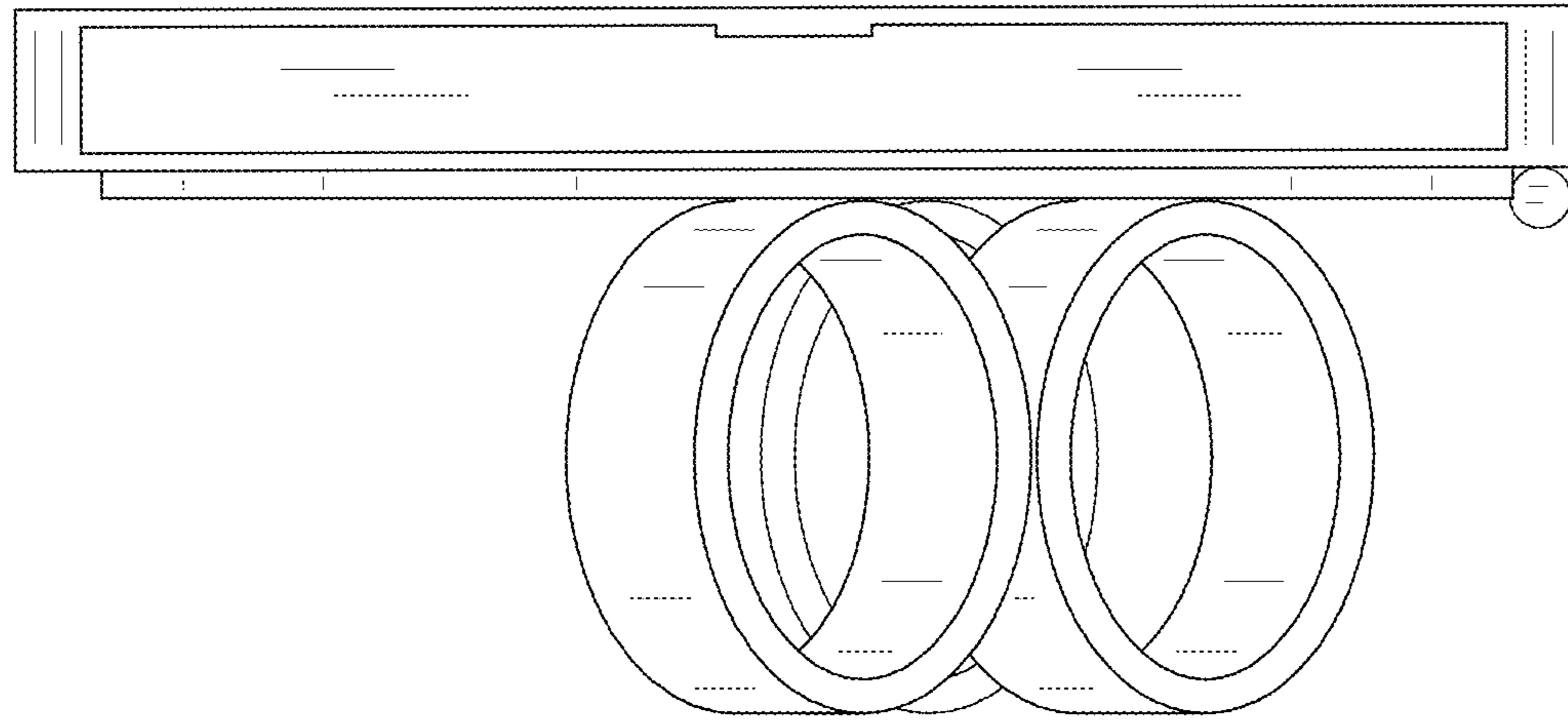


FIG. 5

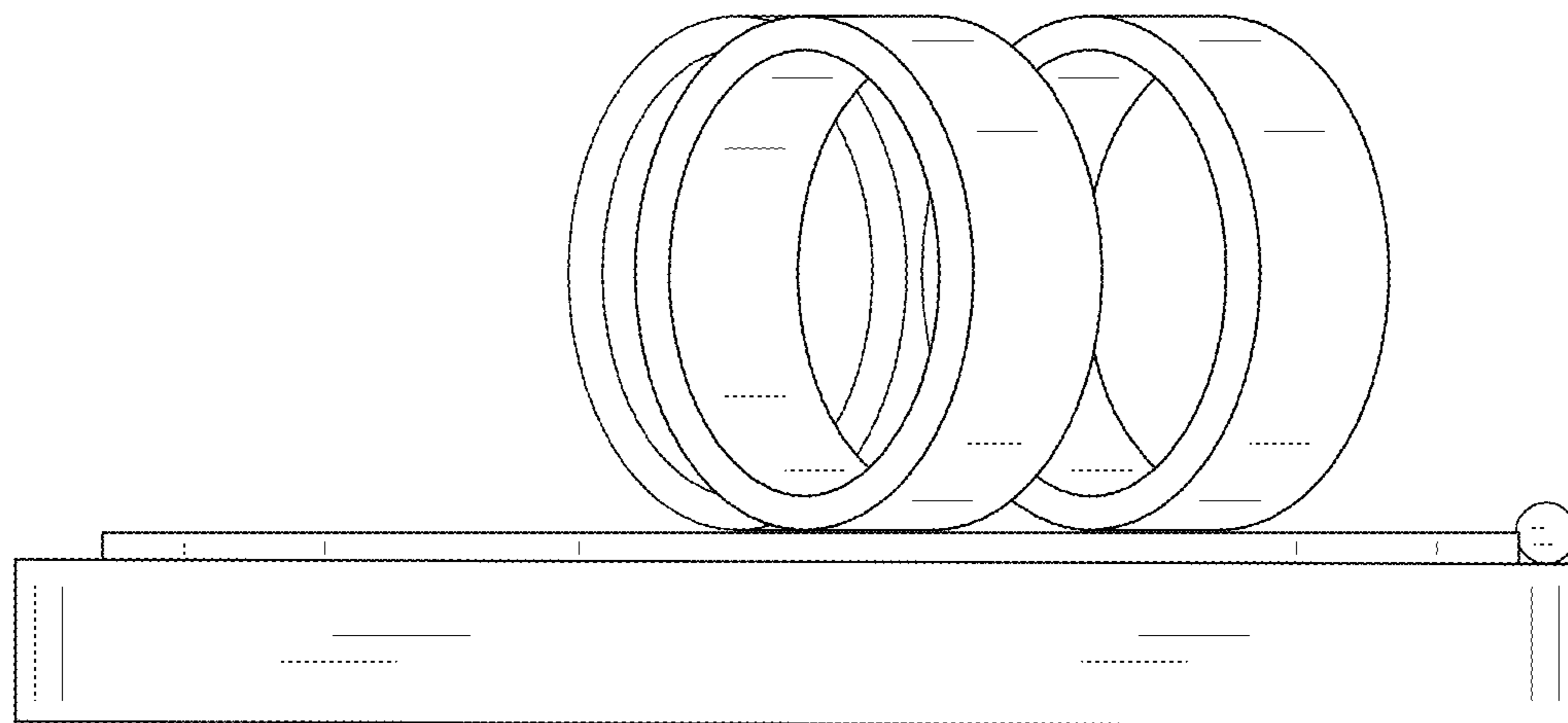


FIG. 6

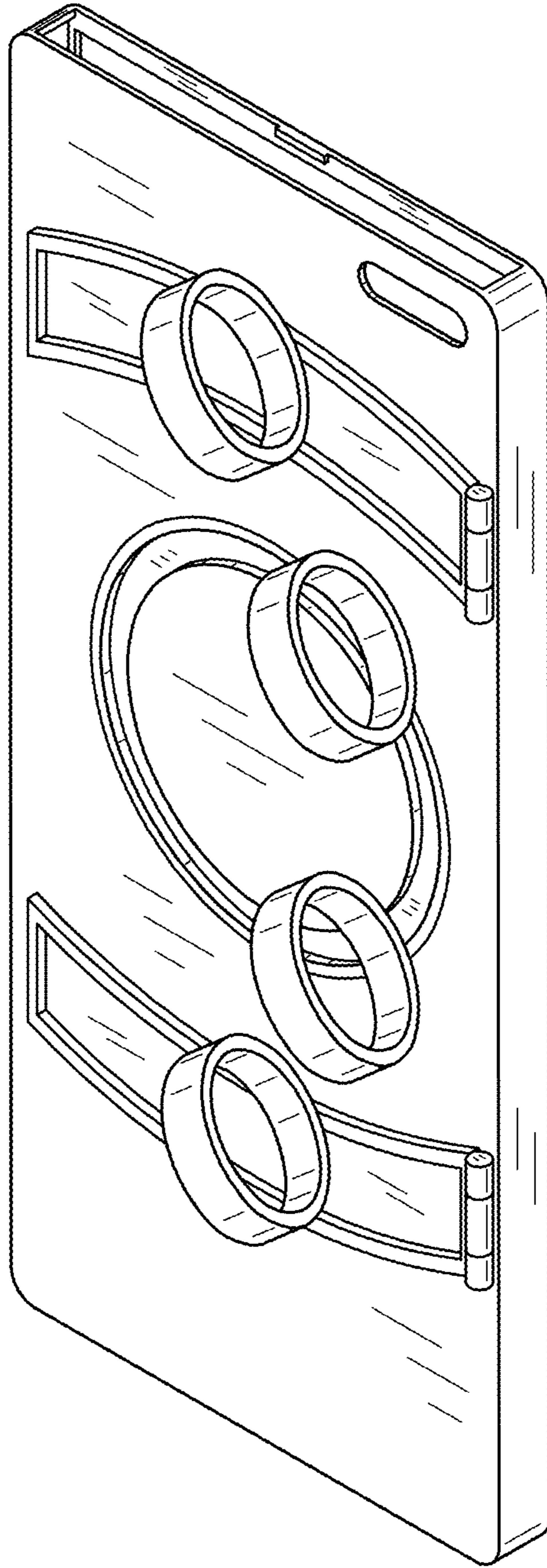


FIG. 7

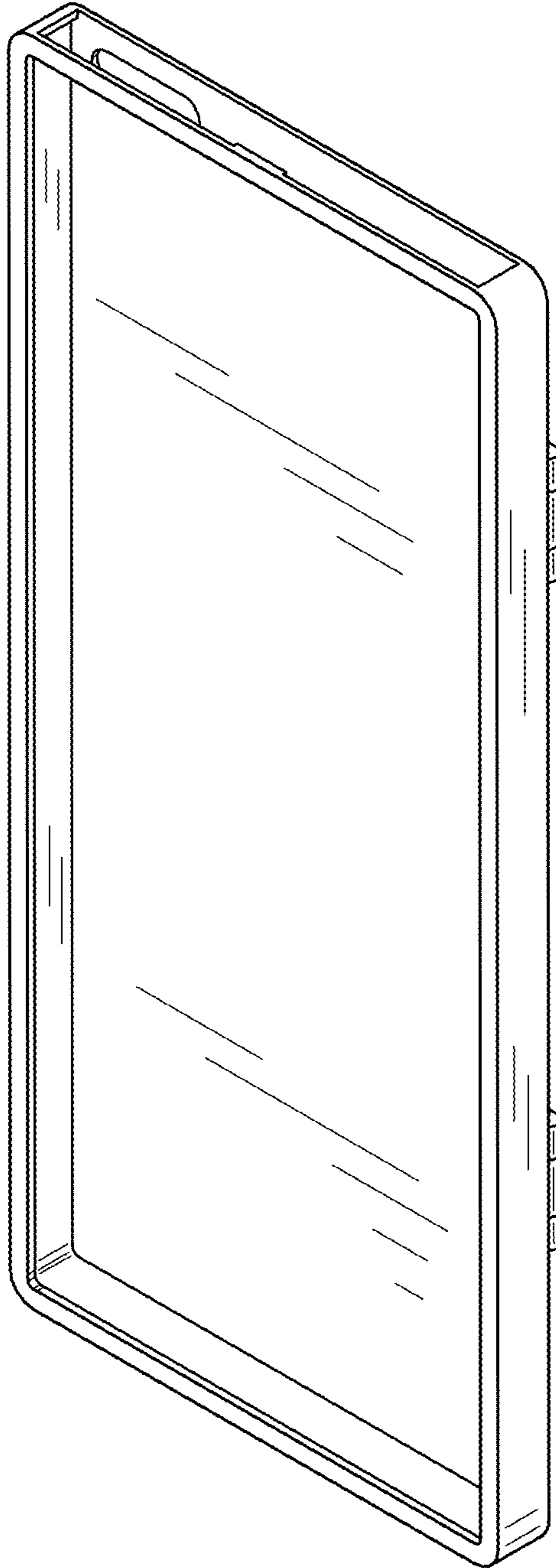


FIG. 8

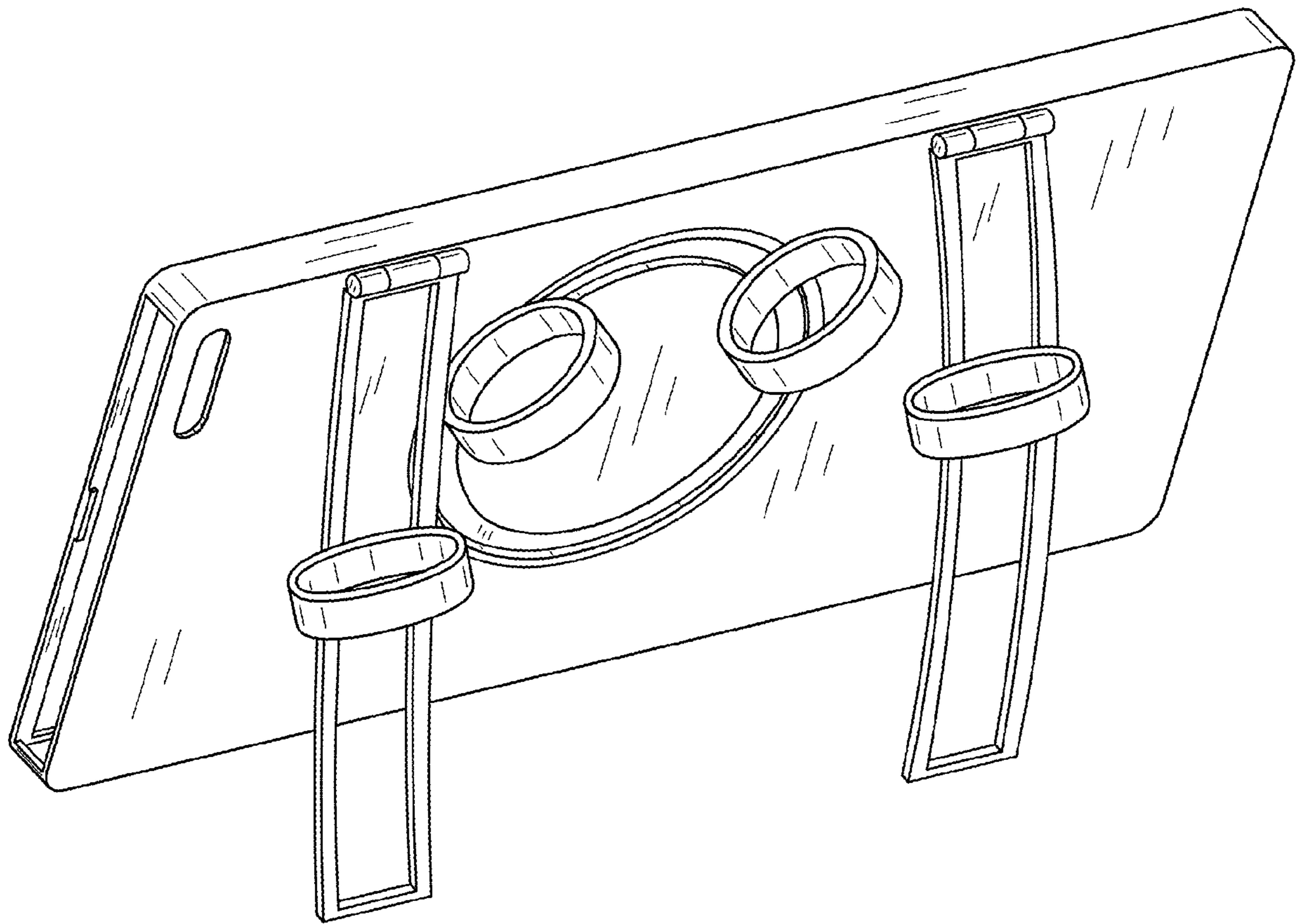


FIG. 9