



US00D883266S

(12) **United States Design Patent**
Yang et al.

(10) **Patent No.:** **US D883,266 S**
(45) **Date of Patent:** **** May 5, 2020**

- (54) **SATELLITE DISH BACKING STRUCTURE**
- (71) Applicant: **Wistron NeWeb Corp., Hsinchu (TW)**
- (72) Inventors: **Lan-Chun Yang, Hsinchu (TW);
Chun-Wei Wang, Hsinchu (TW);
Shun-Chung Kuo, Hsinchu (TW);
San-Yi Kuo, Hsinchu (TW)**
- (73) Assignee: **WISTRON NEWEB CORP., Hsinchu (TW)**
- (**) Term: **15 Years**
- (21) Appl. No.: **29/615,244**
- (22) Filed: **Aug. 28, 2017**
- (51) **LOC (12) Cl.** **14-03**
- (52) **U.S. Cl.**
USPC **D14/238**
- (58) **Field of Classification Search**
USPC D14/230–238; D8/363, 354, 349
CPC H01Q 7/00; H01Q 13/10; H01Q 9/285;
H01Q 19/30; H01Q 19/12; H01Q 1/38
See application file for complete search history.

D750,603 S *	3/2016	Venghaus	D14/238
9,543,658 B2 *	1/2017	Lee	H01Q 1/084
10,084,226 B2 *	9/2018	Mellas	H01Q 1/02
10,249,958 B2 *	4/2019	Yang	H01Q 15/16
RE47,497 E *	7/2019	Fackler	H01Q 1/125
2012/0212394 A1 *	8/2012	Lin	H01Q 1/1228 343/880
2015/0214632 A1 *	7/2015	Lee	H01Q 1/084 343/781 R
2016/0013562 A1 *	1/2016	Yang	H01Q 1/1235 343/840
2016/0312943 A1 *	10/2016	Yang	F16M 13/022
2017/0125876 A1 *	5/2017	Yang	F16M 13/02
2018/0212300 A1 *	7/2018	Yang	H01Q 15/16

* cited by examiner

Primary Examiner — Keli L Hill
Assistant Examiner — Harold E Blackwell, II

(57) **CLAIM**

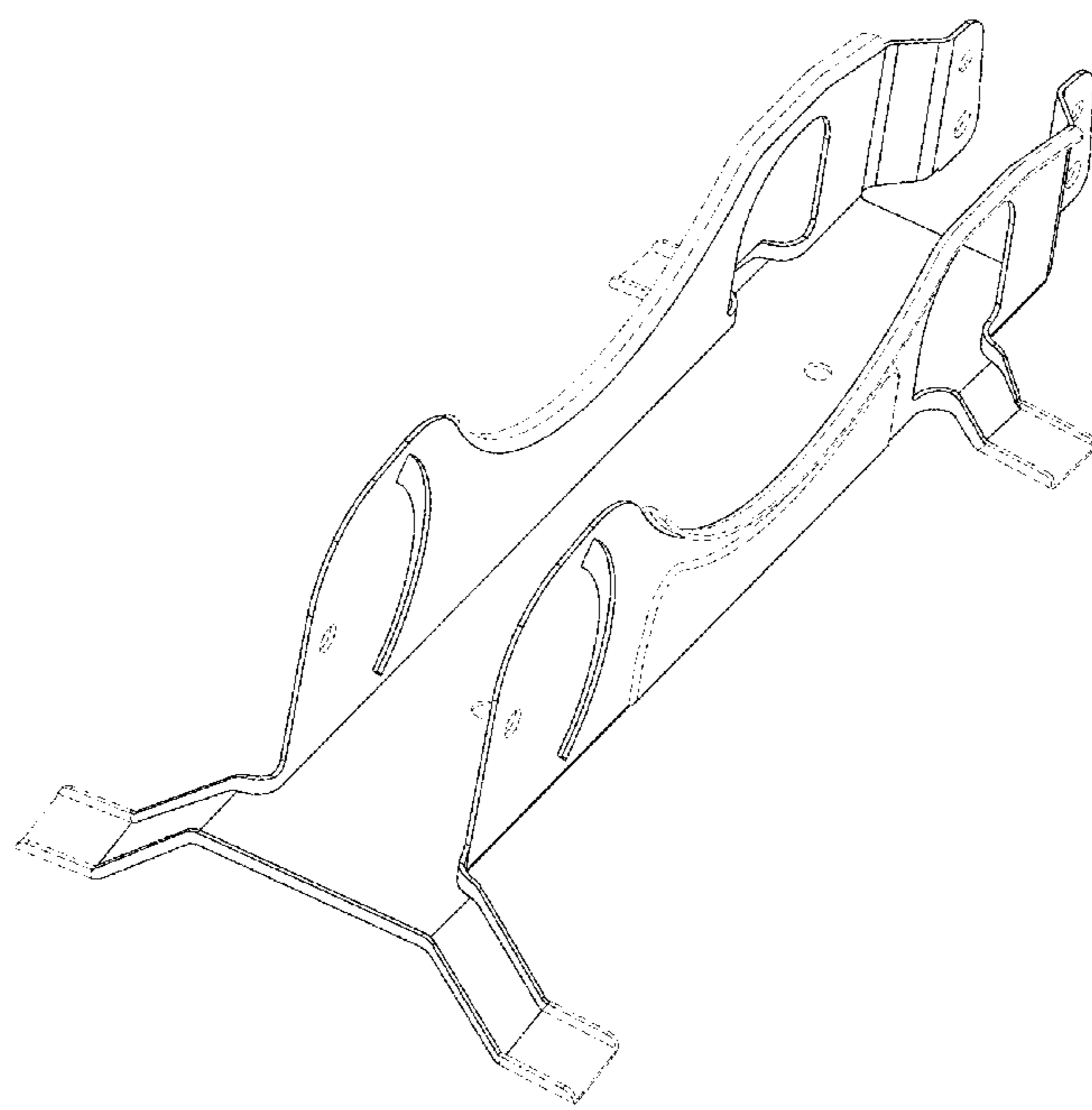
The ornamental design for satellite dish backing structure, as shown and described.

DESCRIPTION

FIG. 1 is a front perspective view of a satellite dish backing structure in accordance with our new design;
FIG. 2 is a front view thereof;
FIG. 3 is a rear view thereof;
FIG. 4 is a left side view thereof;
FIG. 5 is a right side view thereof;
FIG. 6 is a top plan view thereof; and,
FIG. 7 is a bottom plan view thereof.
The broken lines in the drawings illustrate portions of the satellite dish backing structure which form no part of the claimed design.

1 Claim, 7 Drawing Sheets

- (56) **References Cited**
U.S. PATENT DOCUMENTS
- D411,999 S * 7/1999 Inoue D14/231
- 5,941,497 A * 8/1999 Inoue H01Q 1/125
248/291.1
- D413,603 S * 9/1999 Inoue 343/882
- 6,081,240 A * 6/2000 Hemmingsen, II H01Q 1/125
248/544
- D443,264 S * 6/2001 Fujita 343/882
- D483,745 S * 12/2003 Sergi D14/238
- 8,820,985 B1 * 9/2014 Tam F21V 21/14
362/249.1
- D743,952 S * 11/2015 Venghaus D14/238



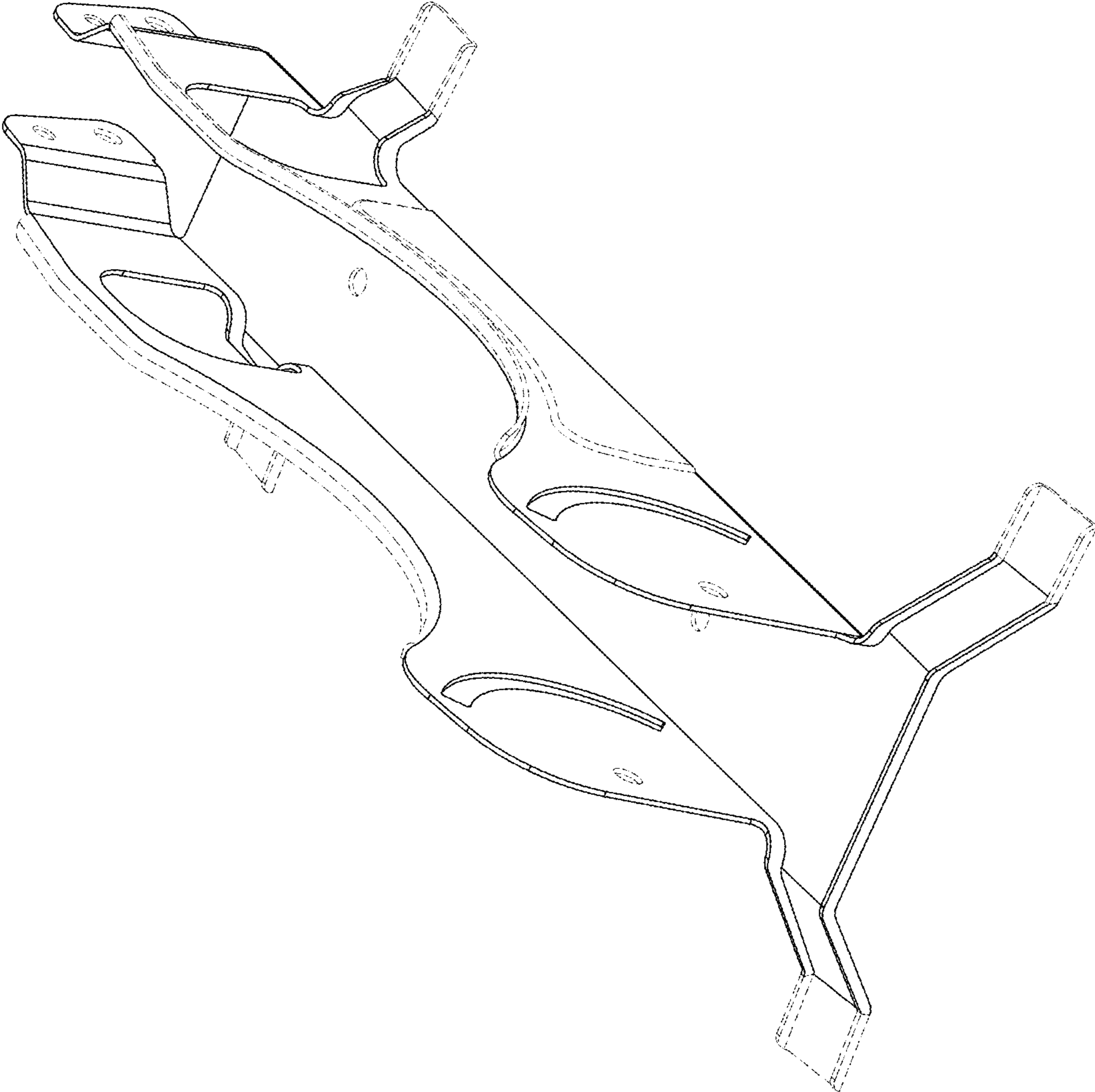


FIG. 1

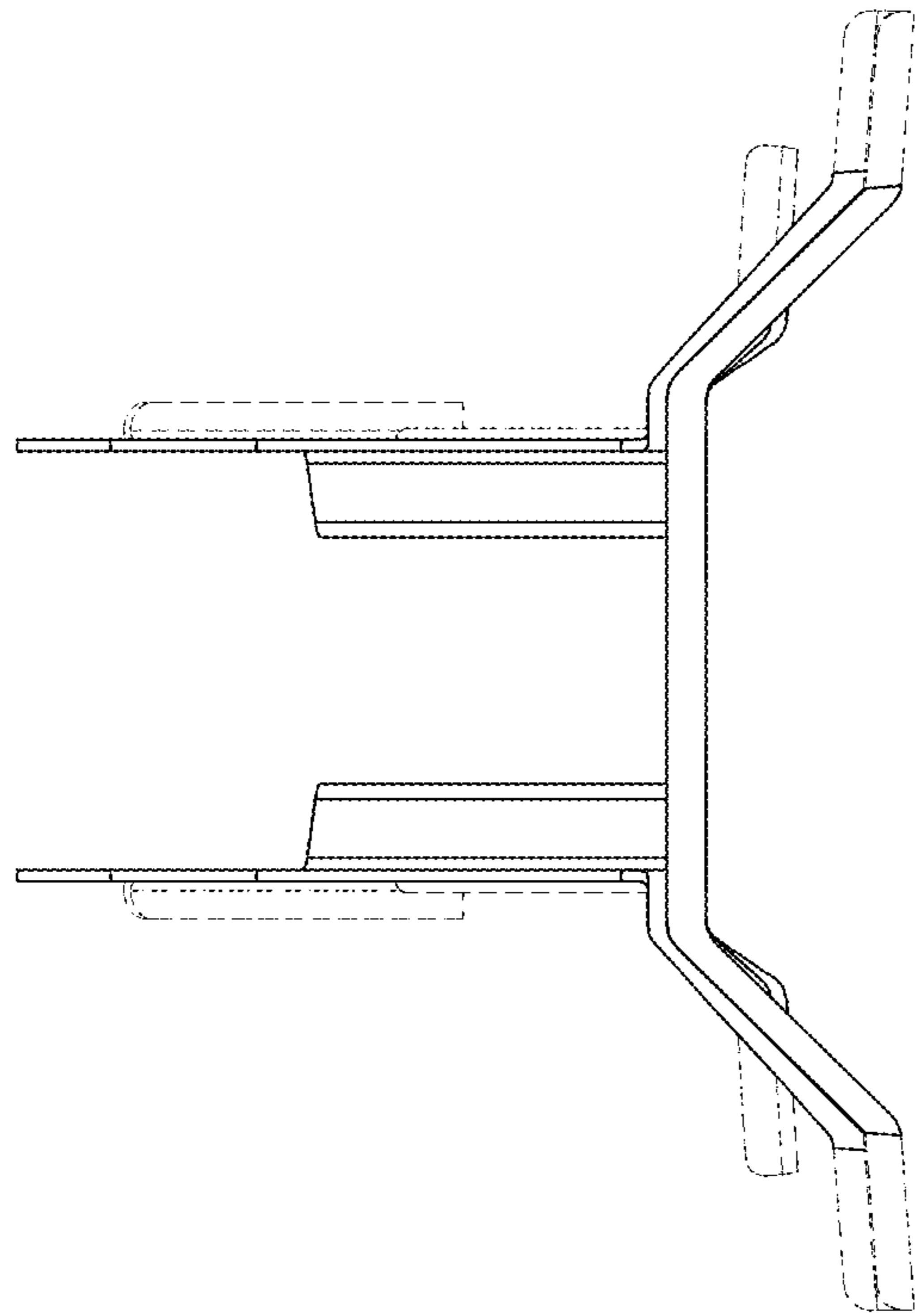


FIG. 2

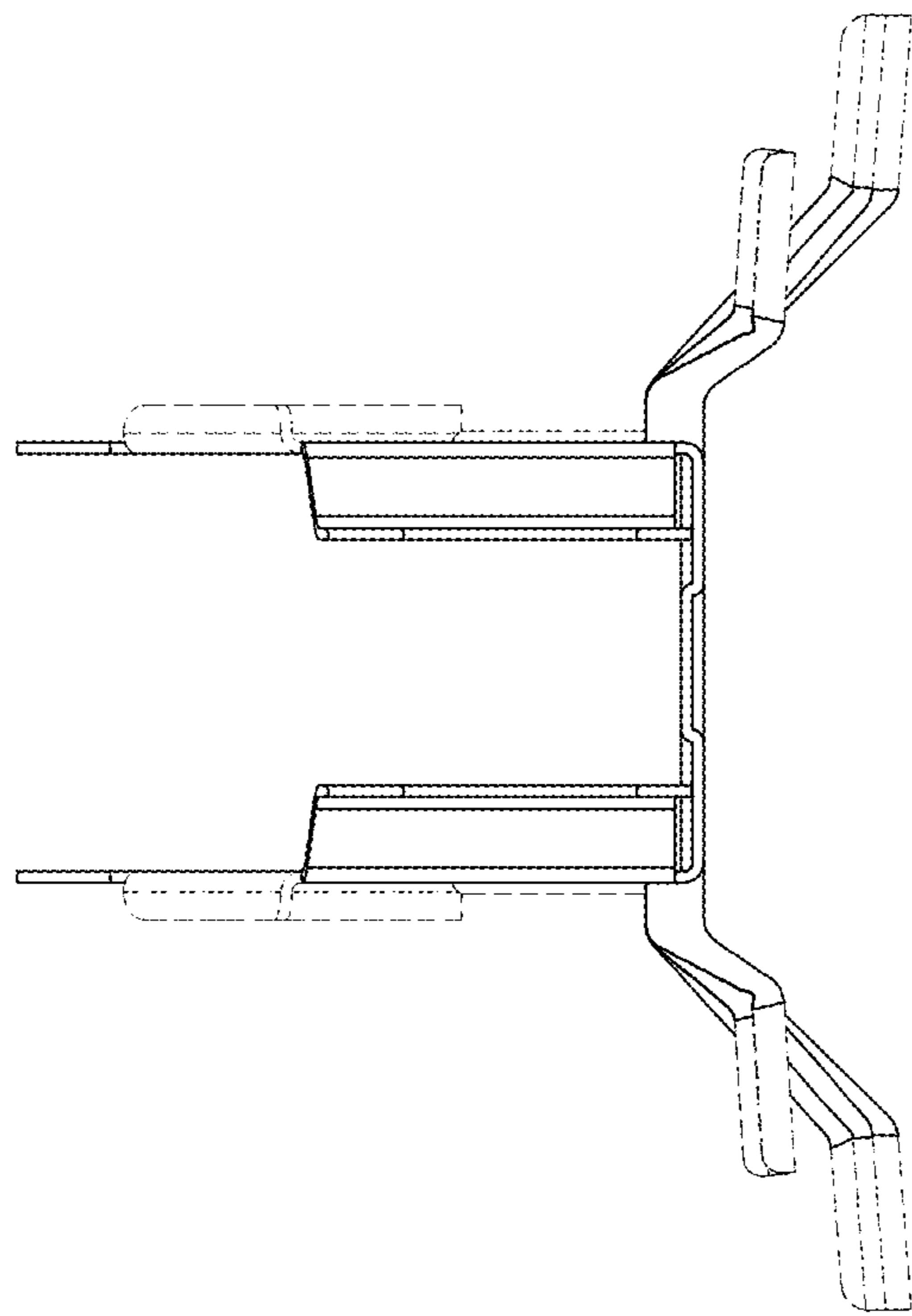


FIG. 3

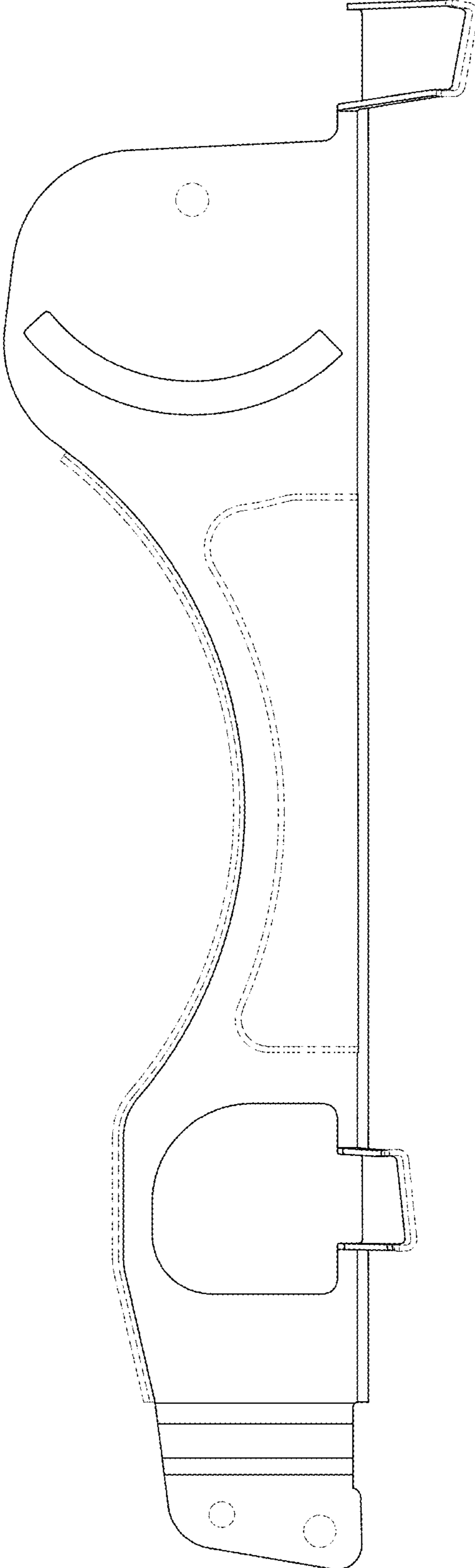


FIG. 4

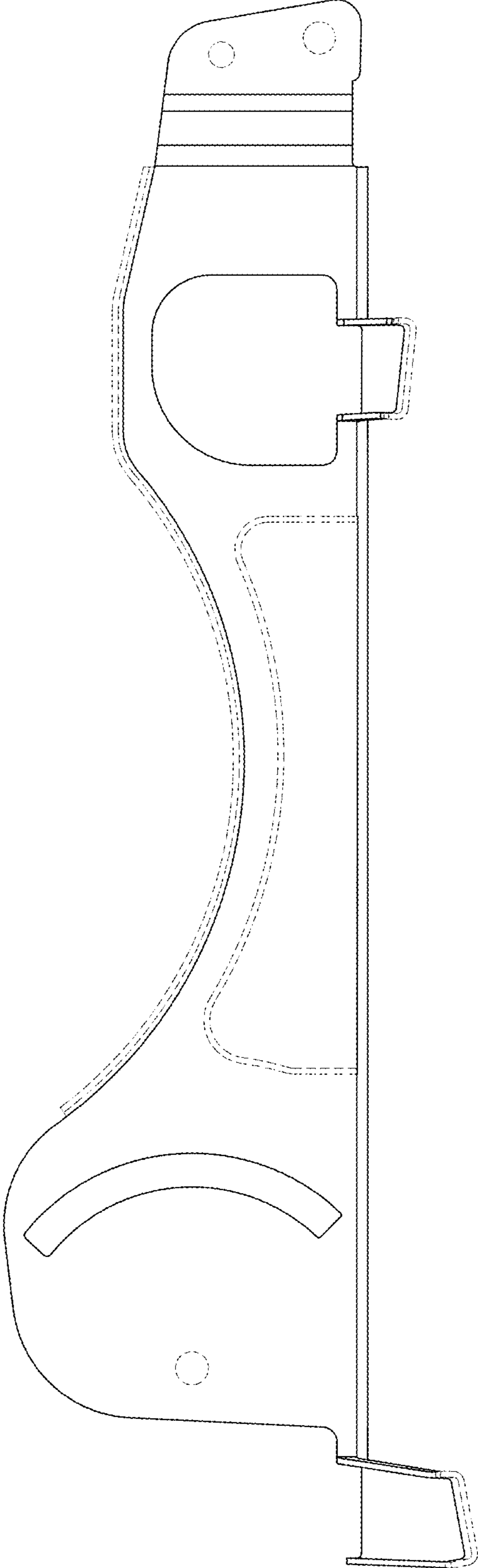


FIG. 5

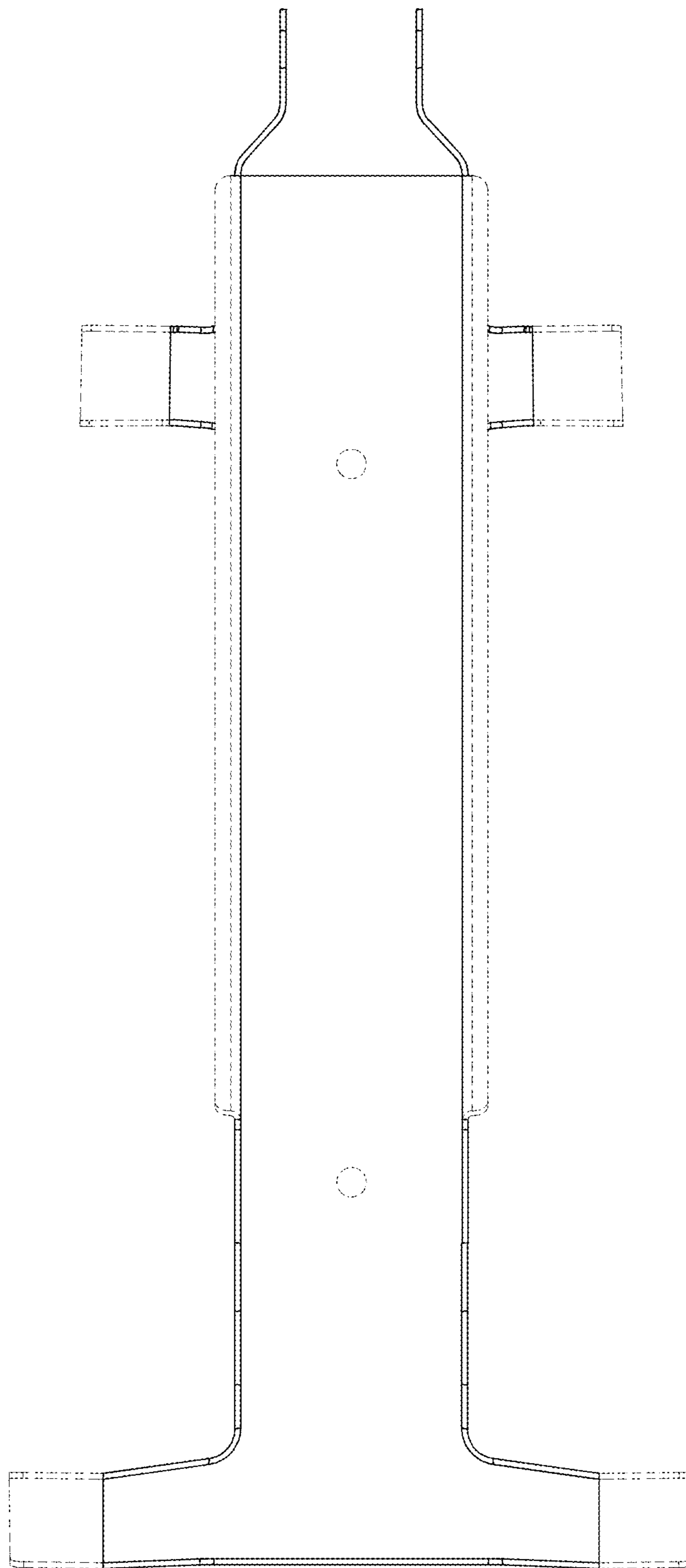


FIG. 6

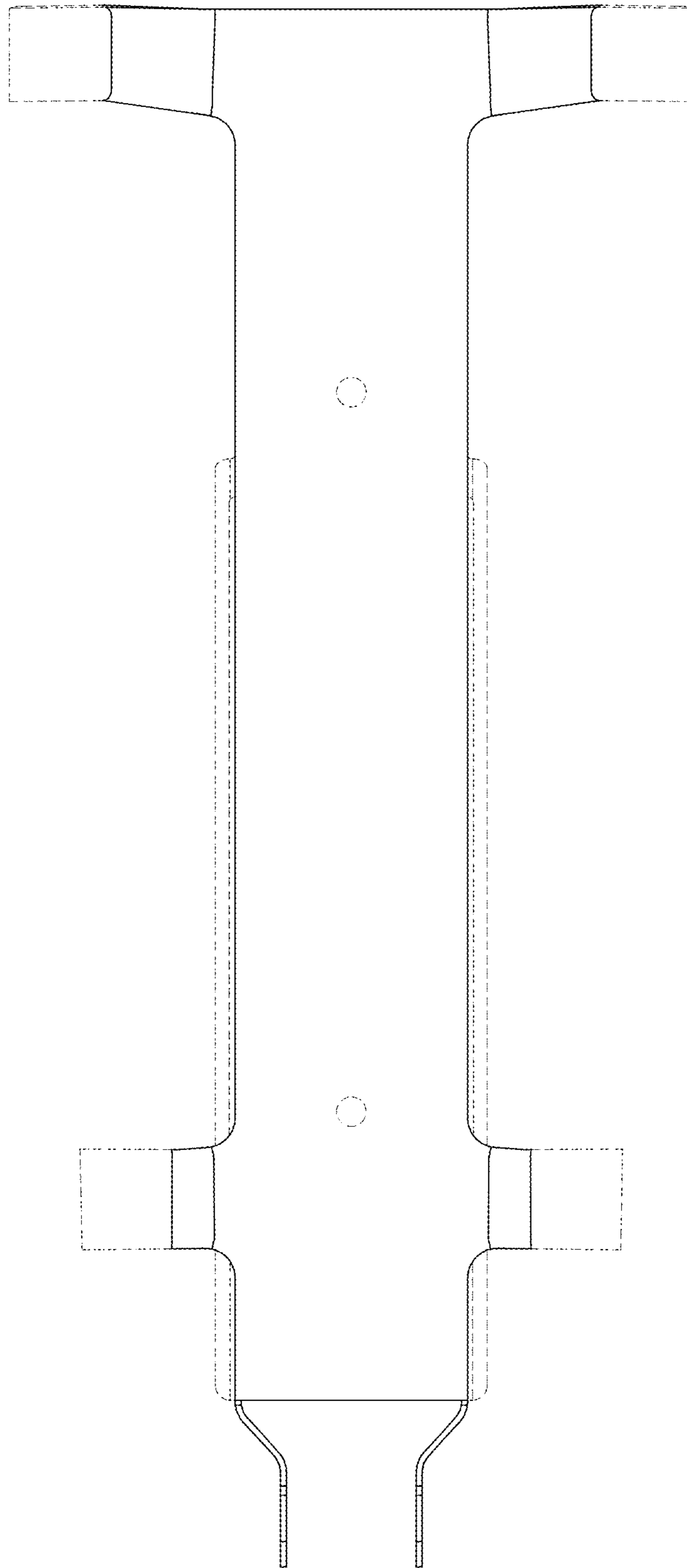


FIG. 7