



US00D883263S

(12) **United States Design Patent**  
**Page et al.**

(10) **Patent No.:** **US D883,263 S**  
(45) **Date of Patent:** **\*\* May 5, 2020**

- (54) **SPEAKER MICROPHONE**
- (71) Applicant: **MOTOROLA SOLUTIONS, INC.**,  
Chicago, IL (US)
- (72) Inventors: **Michael Page**, Miami, FL (US); **Ryan M. Nilsen**, Plantation, FL (US); **Jody H. Akens**, Weston, FL (US); **William Robertson**, Pompano Beach, FL (US); **Kuang Eng Lim**, Sungai Jawi (MY)
- (73) Assignee: **MOTOROLA SOLUTIONS, INC.**,  
Chicago, IL (US)
- (\*\*) Term: **15 Years**
- (21) Appl. No.: **29/674,215**
- (22) Filed: **Dec. 20, 2018**
- (51) **LOC (12) Cl.** ..... **14-01**
- (52) **U.S. Cl.**  
USPC ..... **D14/225**
- (58) **Field of Classification Search**  
USPC ..... D14/225, 137, 219, 203.3, 203.5, 203.6,  
D14/191, 194, 138, 240, 188, 155, 226;  
200/16 D, 302.3, 339; 345/156;  
455/90.2, 575.1, 569.1, 128.347;  
340/384.73; 446/416  
CPC ... G09G 5/00; H04B 1/40; H04B 1/38; H04B  
1/3833; H04B 1/00; H04R 25/00; H04R  
11/04; H04R 1/08; H04M 1/03; G06F  
1/1613  
See application file for complete search history.

- D243,861 S \* 3/1977 Akazawa ..... D14/137
- D250,024 S \* 10/1978 Fink ..... D14/137
- 4,199,721 A \* 4/1980 Ono ..... H04B 1/3822  
381/356
- D264,335 S \* 5/1982 Huntington ..... D14/225
- D276,336 S \* 11/1984 Kaeo ..... D14/225
- D282,661 S \* 2/1986 Imazeki ..... D14/137
- 4,679,233 A \* 7/1987 Richardson ..... H04B 1/38  
343/702
- 4,792,986 A \* 12/1988 Garner ..... H04B 1/20  
455/186.2
- D307,907 S \* 5/1990 Siddoway ..... D14/225
- D336,300 S \* 6/1993 Tokiyama ..... D14/225

(Continued)

**FOREIGN PATENT DOCUMENTS**

- CN 305509867 \* 12/2019
- JP D1623829 \* 1/2019

*Primary Examiner* — Paula Allen Greene

(74) *Attorney, Agent, or Firm* — Raguraman Kumaresan

(57) **CLAIM**

The ornamental design for a speaker microphone, as shown and described.

**DESCRIPTION**

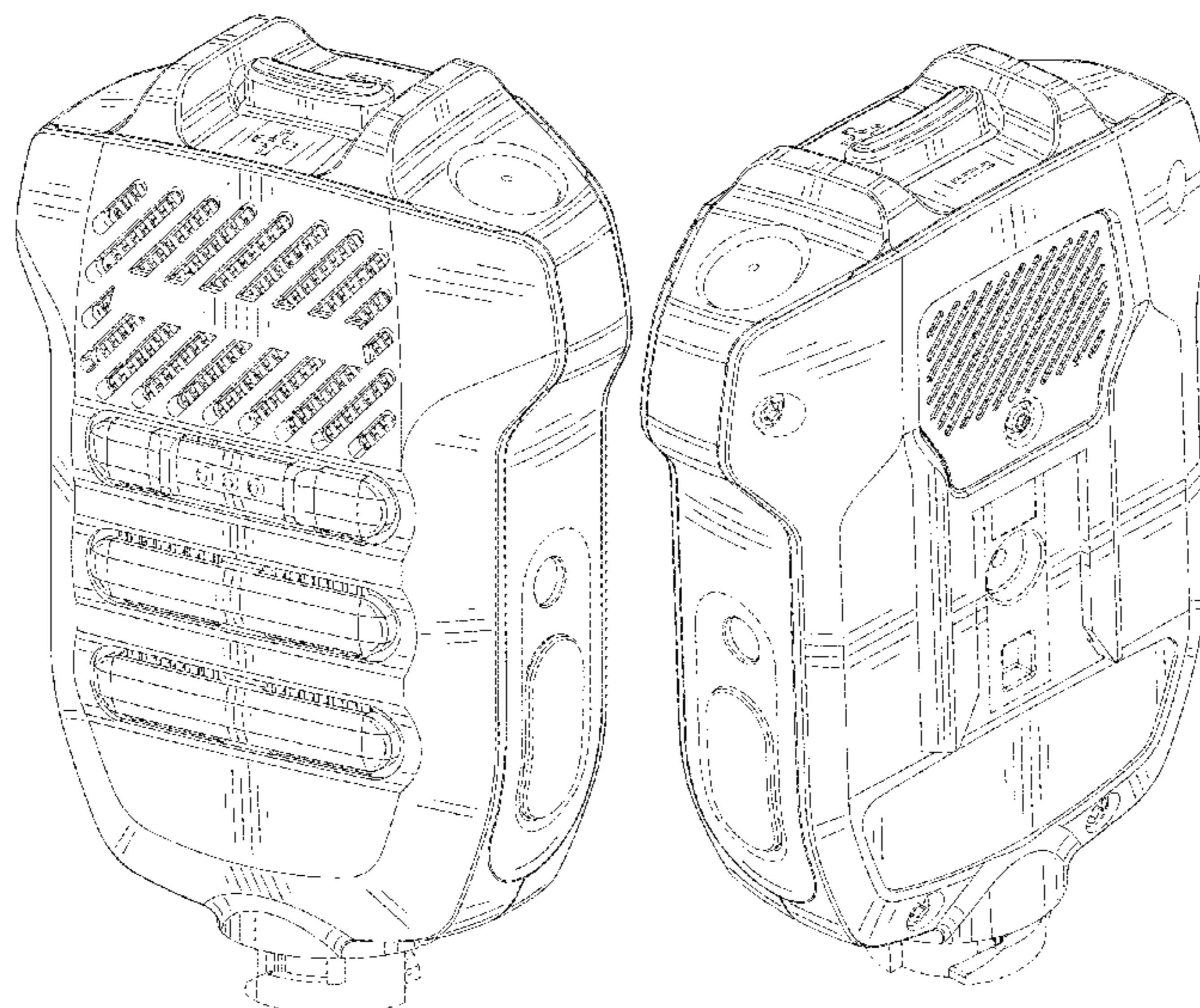
FIG. 1 is a front perspective view of an ornamental design for a speaker microphone;  
 FIG. 2 is a rear perspective view thereof;  
 FIG. 3 is a front view thereof;  
 FIG. 4 is a rear view thereof;  
 FIG. 5 is a first side view thereof;  
 FIG. 6 is a second side view thereof;  
 FIG. 7 is a top view thereof; and,  
 FIG. 8 is a bottom view thereof.  
 The broken lines shown in FIGS. 1-8, that are immediately adjacent to the shaded areas, and define the unshaded regions, are for illustrative purposes only; the portions shown in broken lines form part of the article but do not form part of the claimed design.

**1 Claim, 7 Drawing Sheets**

(56) **References Cited**

**U.S. PATENT DOCUMENTS**

- D108,837 S \* 3/1938 Noguchi ..... D14/194
- D206,879 S \* 2/1967 Ota ..... D14/225
- 3,720,874 A \* 3/1973 Gorcik ..... H04B 1/385  
455/90.3
- D234,957 S \* 4/1975 Huntington et al. .... D14/225



(56)

References Cited

U.S. PATENT DOCUMENTS

5,249,235 A *	9/1993	Davis, II	H04R 1/342 381/122	5,898,789 A *	4/1999	Nichols	H01R 13/506 381/355
D346,602 S *	5/1994	Robertson	D14/160	D416,912 S *	11/1999	Hsieh	D14/225
D346,804 S *	5/1994	Tokiyama	D14/225	D448,019 S *	9/2001	Cebe	D14/225
D347,425 S *	5/1994	Culbertson	D14/137	D459,718 S *	7/2002	Ma	D14/225
D347,426 S *	5/1994	Culbertson	D14/137	D598,876 S *	8/2009	Leng	D14/137
D348,878 S *	7/1994	Lindeman	D14/137	D615,533 S *	5/2010	Emge	D14/225
D360,208 S *	7/1995	Richards	D14/204	D660,827 S *	5/2012	Sakata	D14/225
D367,435 S *	2/1996	Stewart	D10/120	D662,090 S *	6/2012	Richards	D14/226
D379,809 S *	6/1997	Lindeman	D14/137	D694,221 S *	11/2013	Shears	D14/225
D383,457 S *	9/1997	Yahaya	D14/137	D717,258 S *	11/2014	Garra	D14/137
D388,094 S *	12/1997	Tokiyama	D14/204	D718,746 S *	12/2014	Tran	D14/137
5,701,355 A *	12/1997	Brannan	H04R 1/08 174/653	D718,747 S *	12/2014	Tran	D14/137
5,831,515 A *	11/1998	Stewart	G08B 3/10 340/384.4	D725,085 S *	3/2015	Barker	D14/137
				D730,878 S *	6/2015	Khairudin	D14/226
				D738,357 S *	9/2015	Khairudin	D14/226
				D743,950 S *	11/2015	Derdzinski	D14/225
				D785,603 S *	5/2017	Tran	D14/226
				2010/0203849 A1 *	8/2010	Straub	H04B 1/38 455/90.2

\* cited by examiner



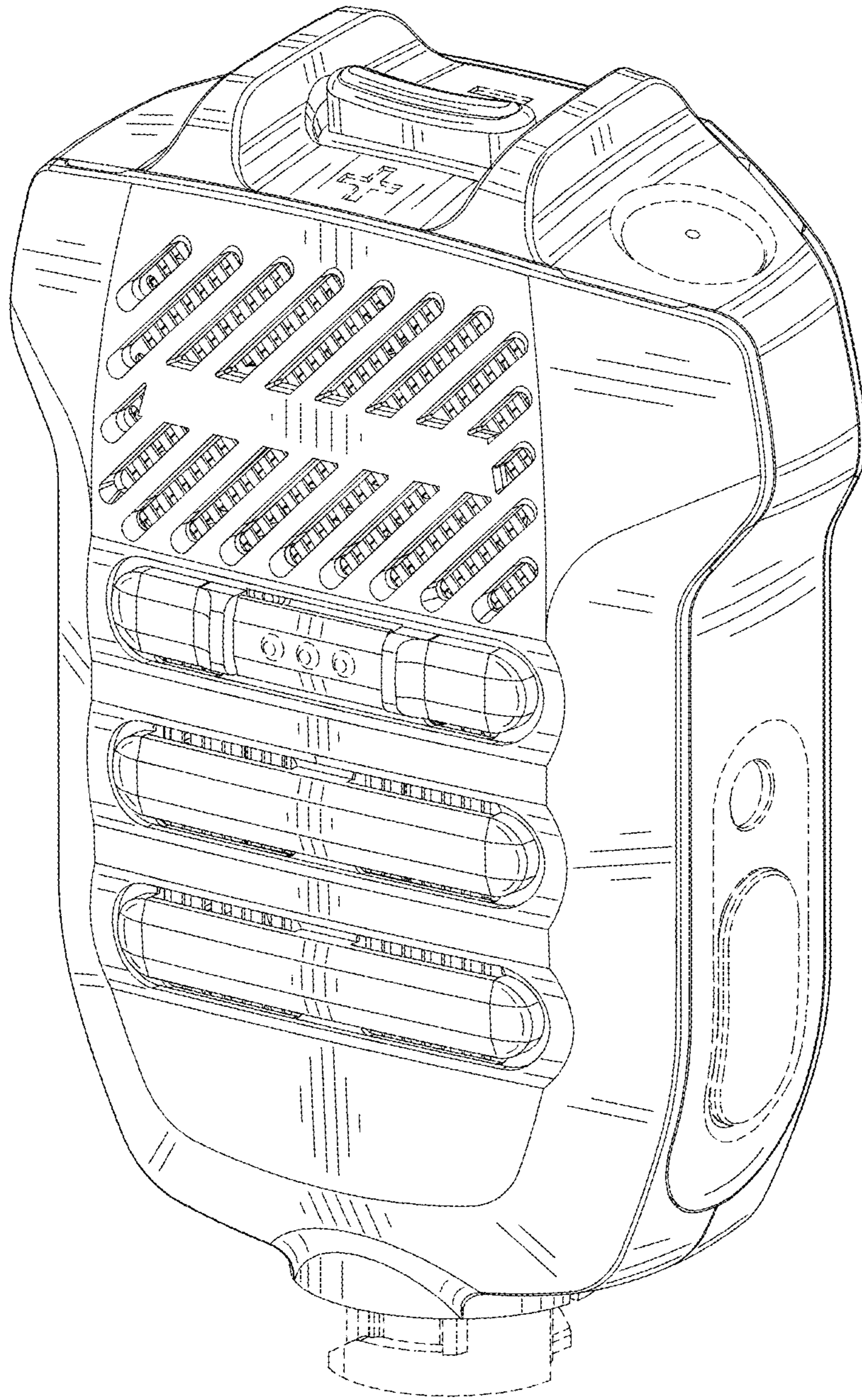


FIG. 1

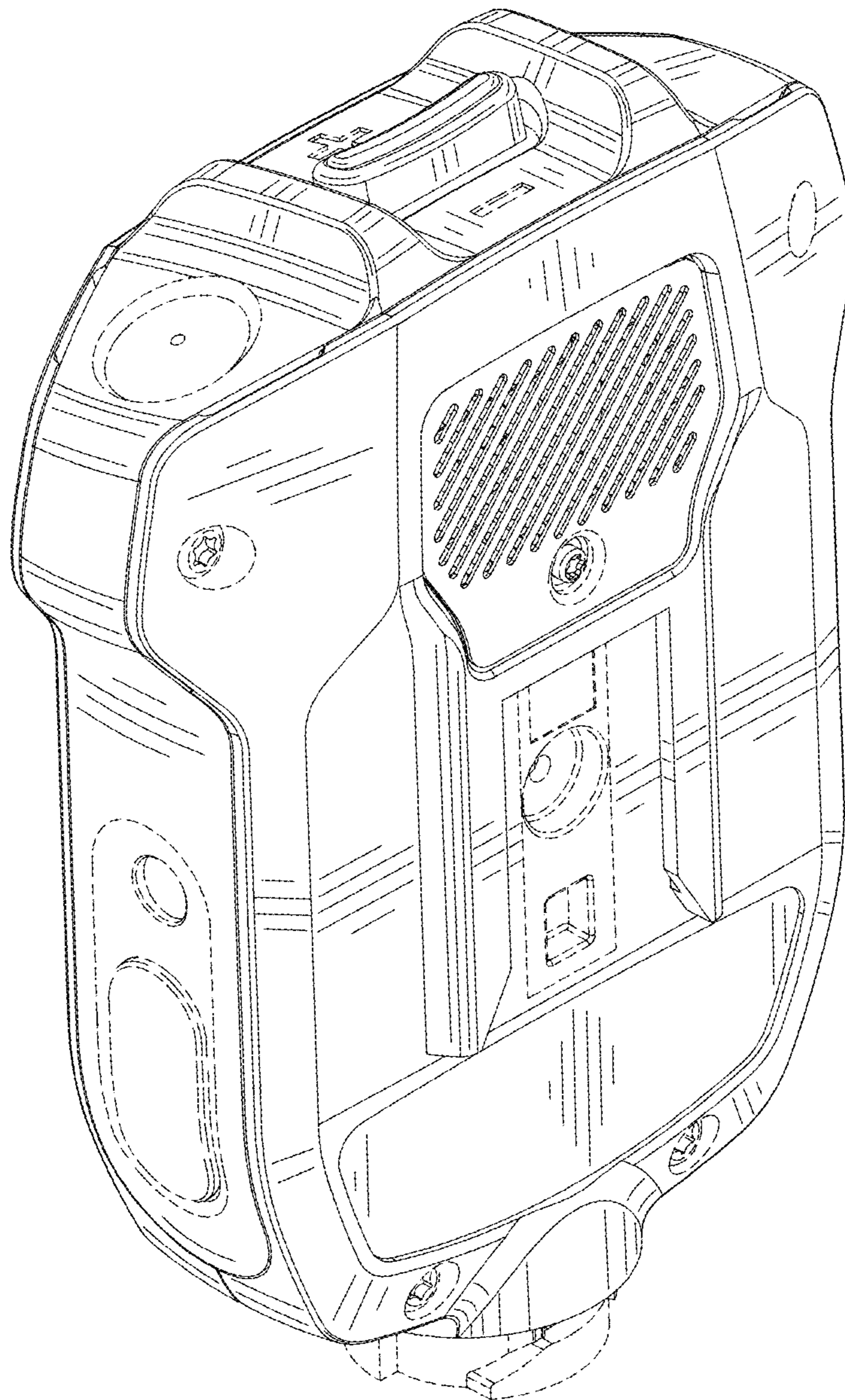


FIG. 2



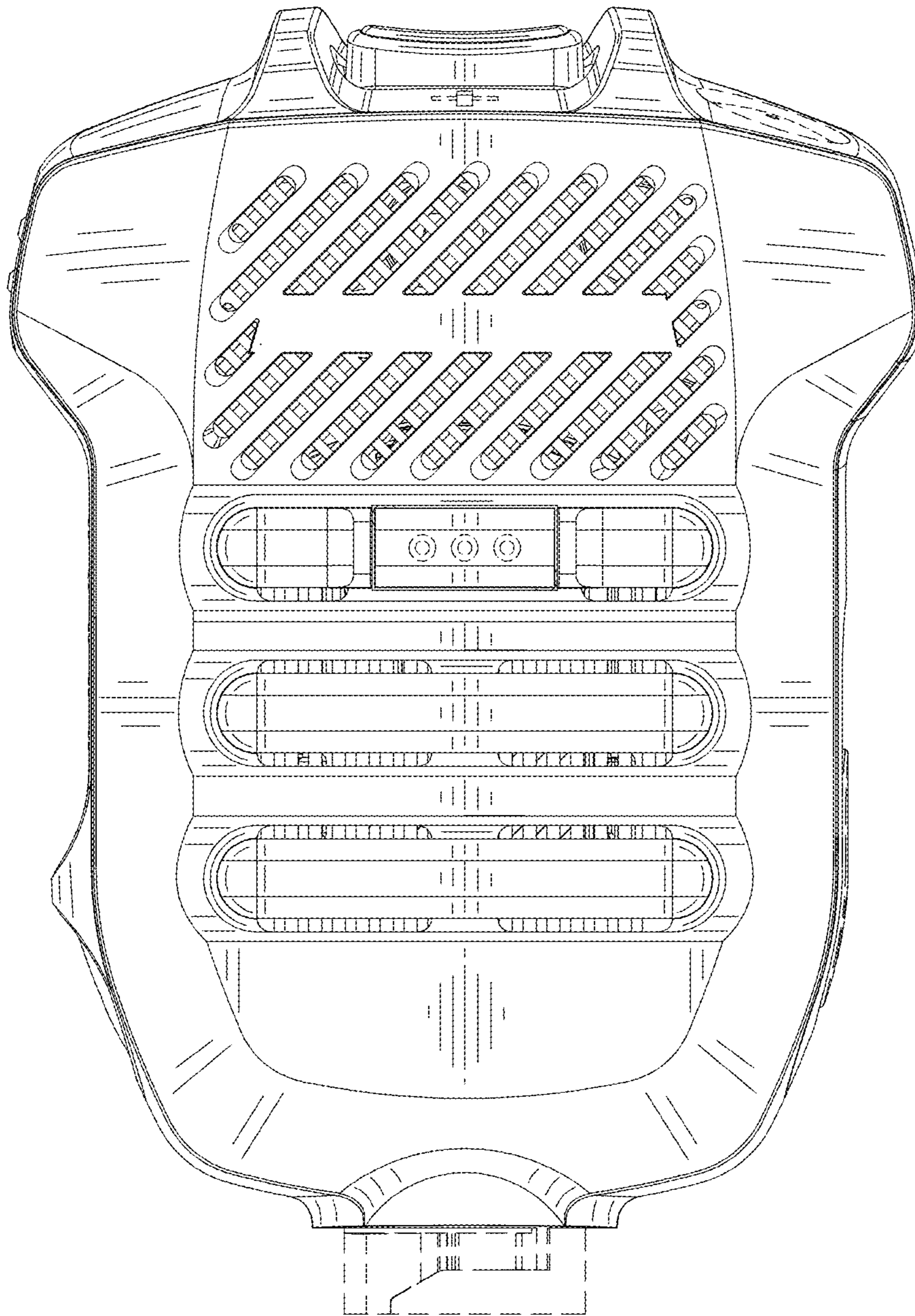


FIG. 3

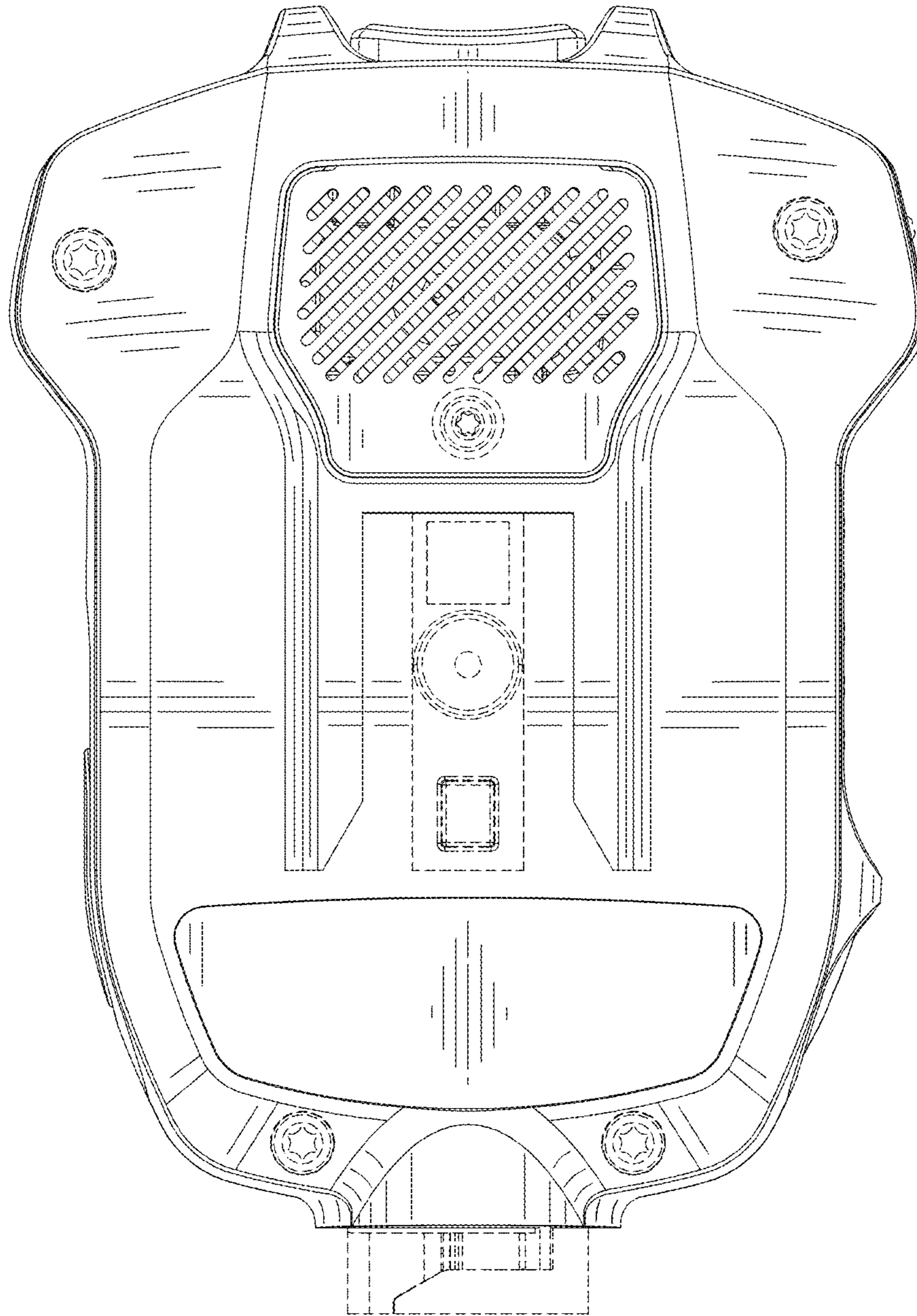


FIG. 4

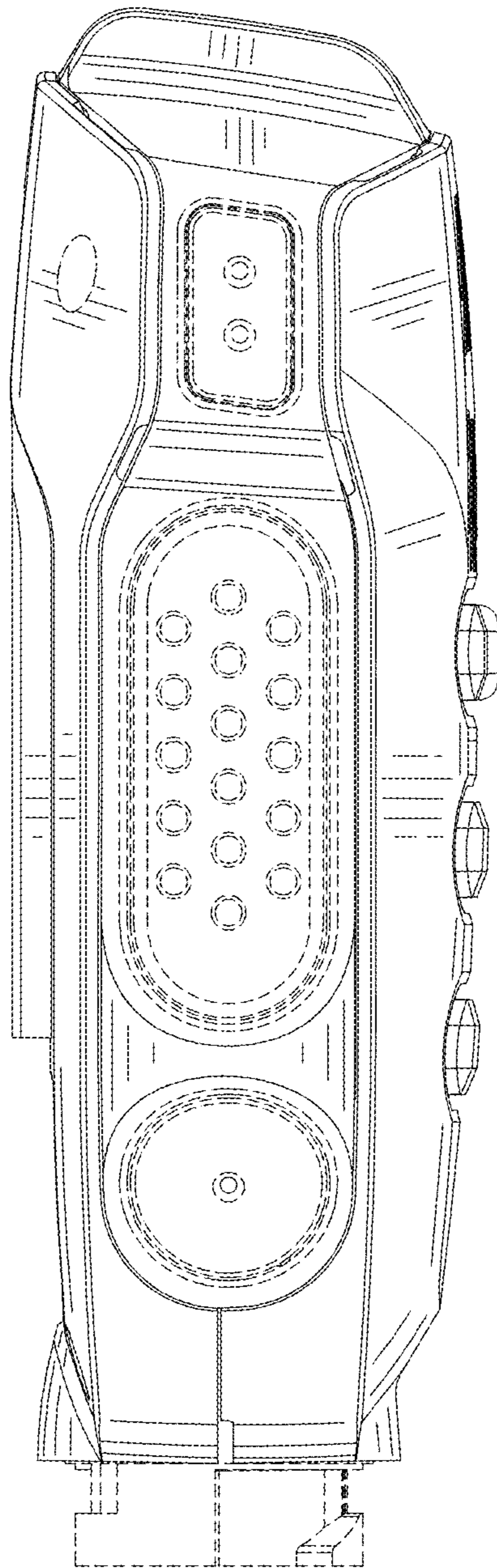


FIG. 5

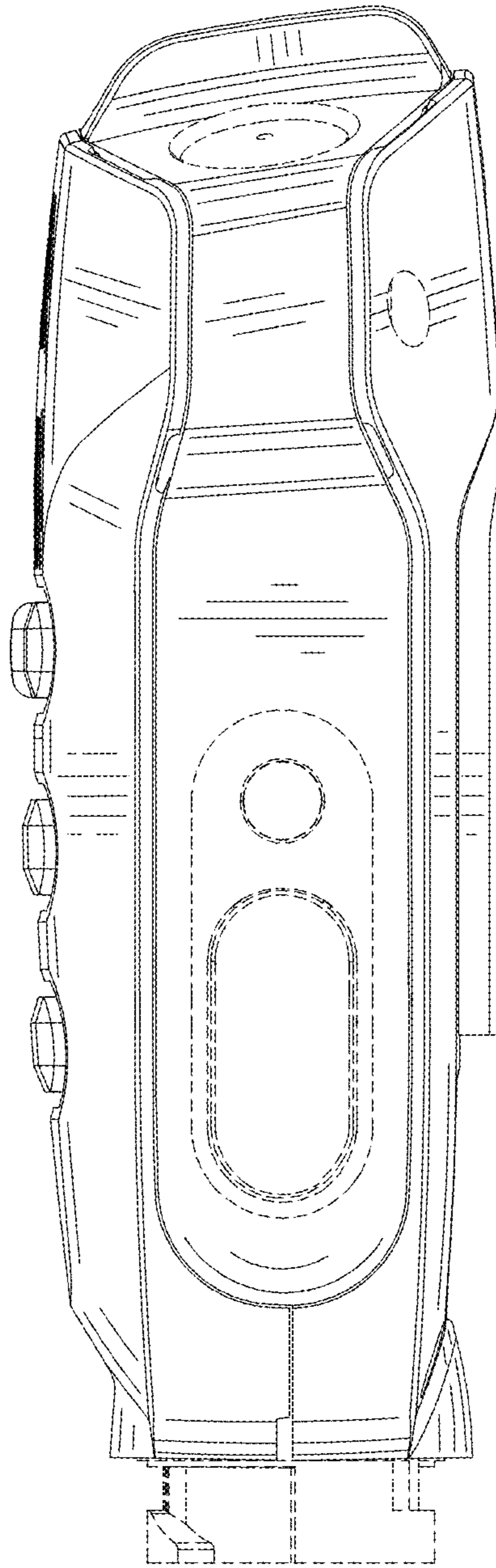


FIG. 6



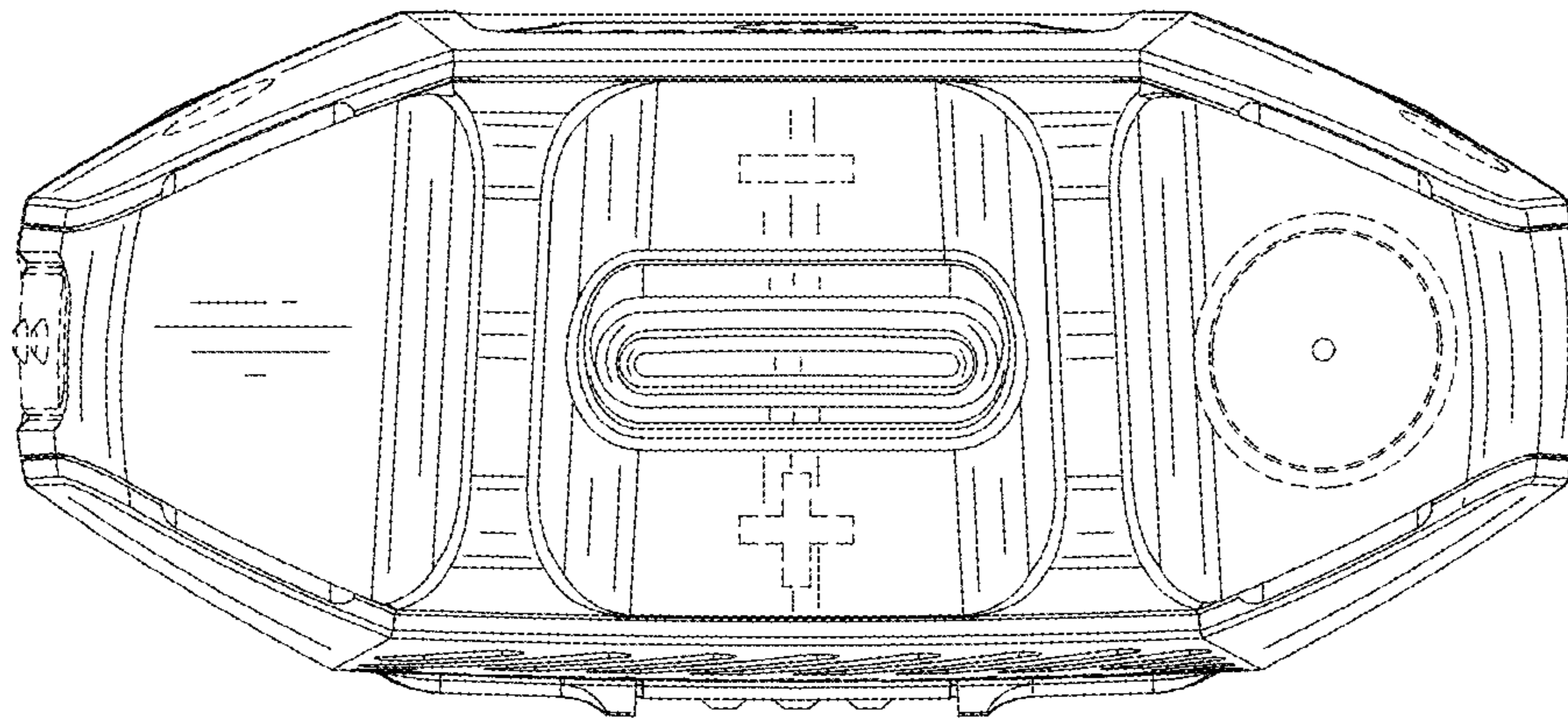


FIG. 7

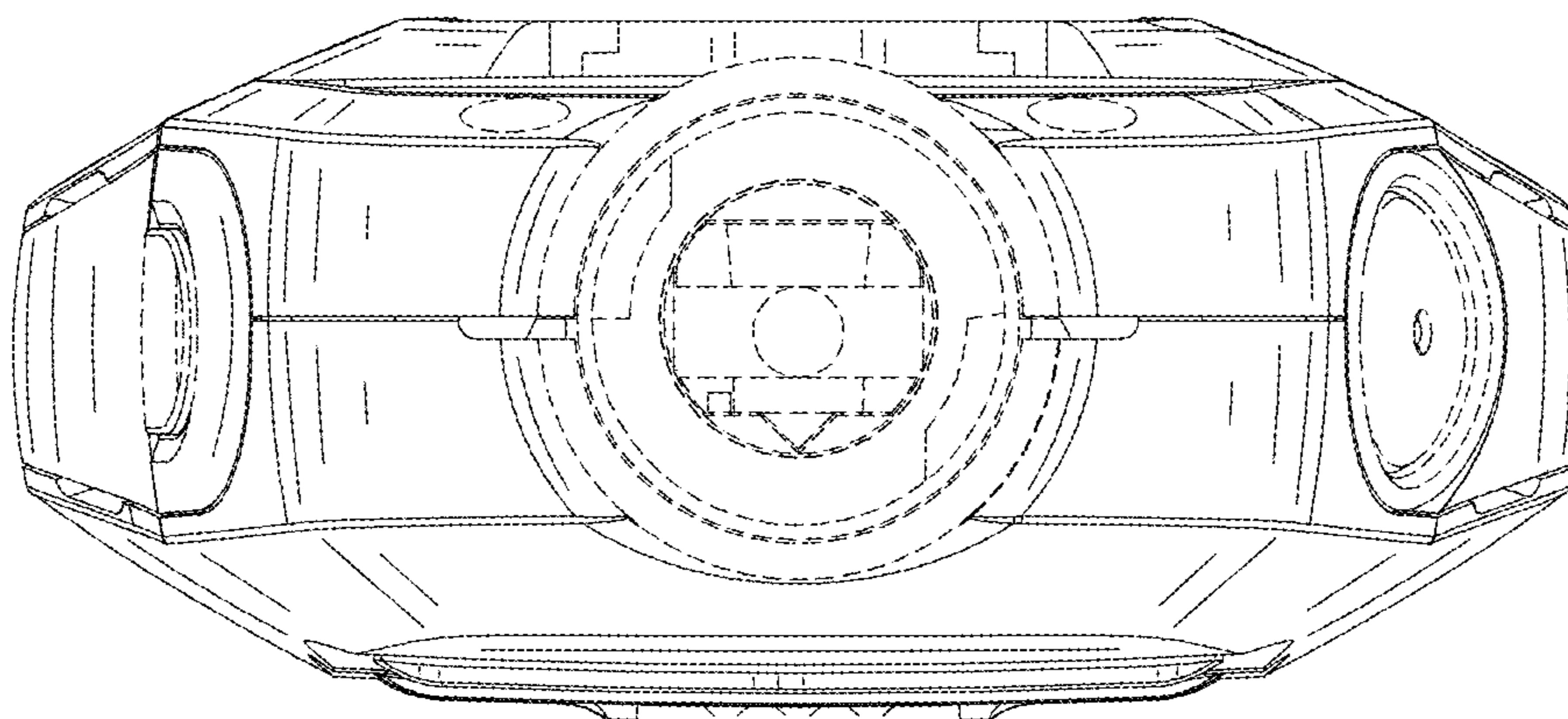


FIG. 8