



US00D883262S

(12) **United States Design Patent**
Wu

(10) **Patent No.:** **US D883,262 S**

(45) **Date of Patent:** **** May 5, 2020**

(54) **EARPHONES**

(71) Applicant: **SHENZHEN XINZHENGYU TECHNOLOGY CO., LTD**, Shenzhen (CN)

(72) Inventor: **Junhua Wu**, Shenzhen (CN)

(73) Assignee: **SHENZHEN XINZHENGYU TECHNOLOGY CO., LTD**, Shenzhen (CN)

(**) Term: **15 Years**

(21) Appl. No.: **29/719,001**

(22) Filed: **Dec. 31, 2019**

(30) **Foreign Application Priority Data**

Dec. 6, 2019 (EM) 007343660-0001

(51) **LOC (12) Cl.** **14-01**

(52) **U.S. Cl.**
USPC **D14/223**; D14/205

(58) **Field of Classification Search**
USPC D14/223, 205; D9/721, 496; 181/129, 181/130, 135; 379/430, 431; 381/380, 381/381, 370, 374; 455/90.3, 575.1, 455/569.1; D3/218
CPC H04R 1/10; H04R 25/00; H04R 1/1066; H04R 1/1016; H04R 5/033; H04R 5/0335; H04R 1/105; H04R 1/1008; H04R 1/1091; H04R 1/1083; A61F 11/08; A61F 11/12
See application file for complete search history.

(56) **References Cited**

U.S. PATENT DOCUMENTS

D237,090 S * 10/1975 Yanagawa D14/205
6,449,374 B1 * 9/2002 Skulley H04R 1/083
381/330
D508,479 S * 8/2005 Okada D14/206

D510,574 S * 10/2005 Okada D14/223
D543,972 S * 6/2007 Taylor D14/223
D575,772 S * 8/2008 Schultz D14/206
D576,610 S * 9/2008 Johnson D14/205
D579,006 S * 10/2008 Kim D14/223
D623,630 S 9/2010 Otori
D641,008 S * 7/2011 Lee D14/223
D641,737 S * 7/2011 Krauss D14/205
D644,124 S * 8/2011 Cocchioni D9/420
D644,212 S * 8/2011 Quek D14/223
D644,213 S * 8/2011 Quek D14/223
D668,632 S * 10/2012 Enquist D14/205

(Continued)

FOREIGN PATENT DOCUMENTS

EM 007001615-0003 * 10/2019
EM 007343660-0001 * 12/2019

Primary Examiner — Paula Allen Greene

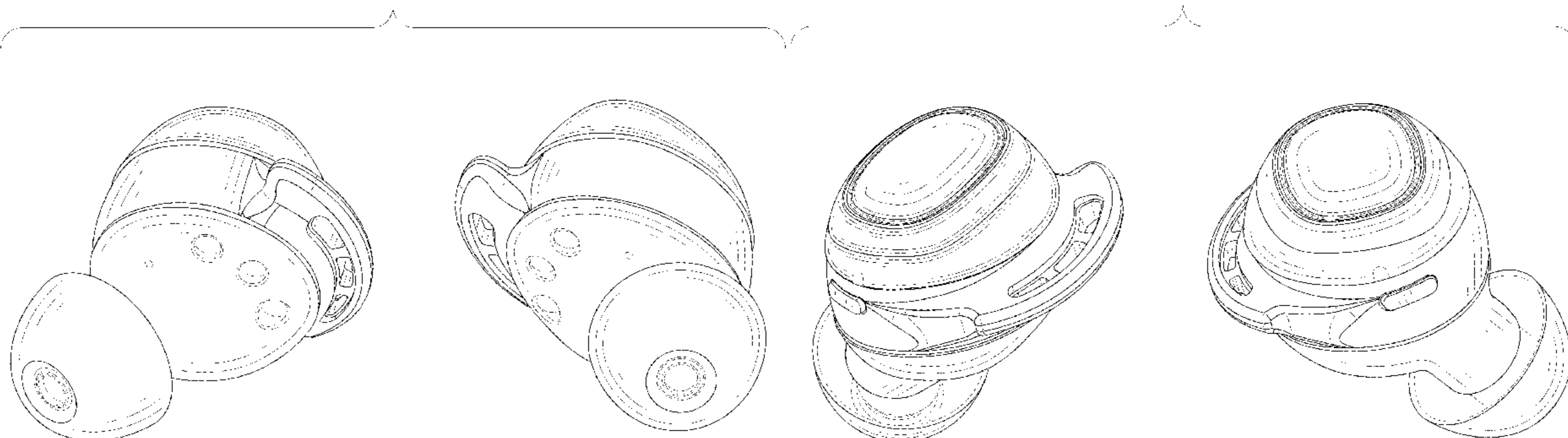
(57) **CLAIM**

The ornamental design for earphones, as shown and described.

DESCRIPTION

FIG. 1 is a perspective view of earphones showing my new design;
FIG. 2 is another perspective view thereof;
FIG. 3 is a front elevational view thereof;
FIG. 4 is a rear elevational view thereof;
FIG. 5 is a left side elevational view thereof;
FIG. 6 is a right side elevational view thereof;
FIG. 7 is a top plan view thereof;
FIG. 8 is a bottom plan view thereof; and,
FIG. 9 is a perspective view of the earphones where the earphones are received in a case.
The broken lines immediately adjacent the shaded areas represent the bounds of the claimed design while all other broken lines are directed to environment and are for illustrative purposes only. The broken lines from no part of the claimed design.

1 Claim, 9 Drawing Sheets



(56)

References Cited

U.S. PATENT DOCUMENTS

D684,950 S *	6/2013	Schaal	D14/205	D800,703 S *	10/2017	Vaclavik	D14/223
D684,953 S *	6/2013	Schaal	D14/205	D822,646 S *	7/2018	Dang	D14/223
D686,191 S *	7/2013	Schaal	D14/205	D828,825 S *	9/2018	Samrelius	D14/223
D687,021 S *	7/2013	Yuen	D14/223	D841,626 S *	2/2019	Tang	D14/223
8,625,834 B2 *	1/2014	Smith	H04R 1/1066 381/380	D841,627 S *	2/2019	Wen	D14/223
D705,757 S *	5/2014	Yashiro	H04R 1/10 D14/223	10,206,026 B2 *	2/2019	Yeung	H01Q 1/273
D712,383 S *	9/2014	McNamara	D14/223	D842,844 S	3/2019	Li	
D714,260 S *	9/2014	Han	D14/223	D845,282 S *	4/2019	Chen	D14/223
8,831,266 B1 *	9/2014	Huang	H04R 1/1091 381/380	D845,932 S *	4/2019	Lu	D14/223
8,897,480 B2 *	11/2014	Tan	H04R 1/105 381/380	D860,975 S *	9/2019	Briggs	D14/223
D725,636 S *	3/2015	McNamara	D14/205	D863,260 S	10/2019	Zheng	
D735,169 S *	7/2015	Shieh	D14/223	D864,919 S *	10/2019	Bonahoom	D14/223
D743,948 S *	11/2015	Crawford	D14/205	D870,079 S *	12/2019	Yun	D14/223
D744,456 S *	12/2015	Pedersen	D14/223	D870,708 S *	12/2019	Lindenberger	D14/223
D750,600 S *	3/2016	Crawford	D14/223	D871,374 S *	12/2019	Karayiannis	D14/223
D754,638 S *	4/2016	Krissman	D14/223	D871,376 S *	12/2019	Zhou	D14/223
D773,440 S *	12/2016	Pedersen	D14/223	D872,060 S *	1/2020	Briggs	D14/223
D773,441 S *	12/2016	Pedersen	D14/223	D872,063 S *	1/2020	Arimoto	D14/223
D774,021 S *	12/2016	Pedersen	D14/223	D873,248 S *	1/2020	Weicheng	D14/223
D779,461 S *	2/2017	Smith	D14/223	D873,805 S *	1/2020	Yang	D14/223
D780,157 S *	2/2017	Uggla	D14/205	D875,719 S *	2/2020	Wen	D14/223
D788,079 S *	5/2017	Son	D14/223	D876,398 S *	2/2020	Cai	D14/223
D795,224 S *	8/2017	Valenzuela	D14/223	2003/0174853 A1 *	9/2003	Howes	H04R 1/083 381/370
D795,225 S *	8/2017	Sumii	D14/223	2011/0255729 A1 *	10/2011	Tan	H04R 1/105 381/380
					2017/0026738 A1 *	1/2017	Tang	H04R 1/1058
					2018/0077484 A1 *	3/2018	Yeung	H01Q 1/362
					2018/0103321 A1 *	4/2018	Seo	H04R 1/1025
					2018/0160216 A1 *	6/2018	Dominijanni	H04R 1/105
					2019/0200112 A1 *	6/2019	Briggs	H04R 1/105

* cited by examiner

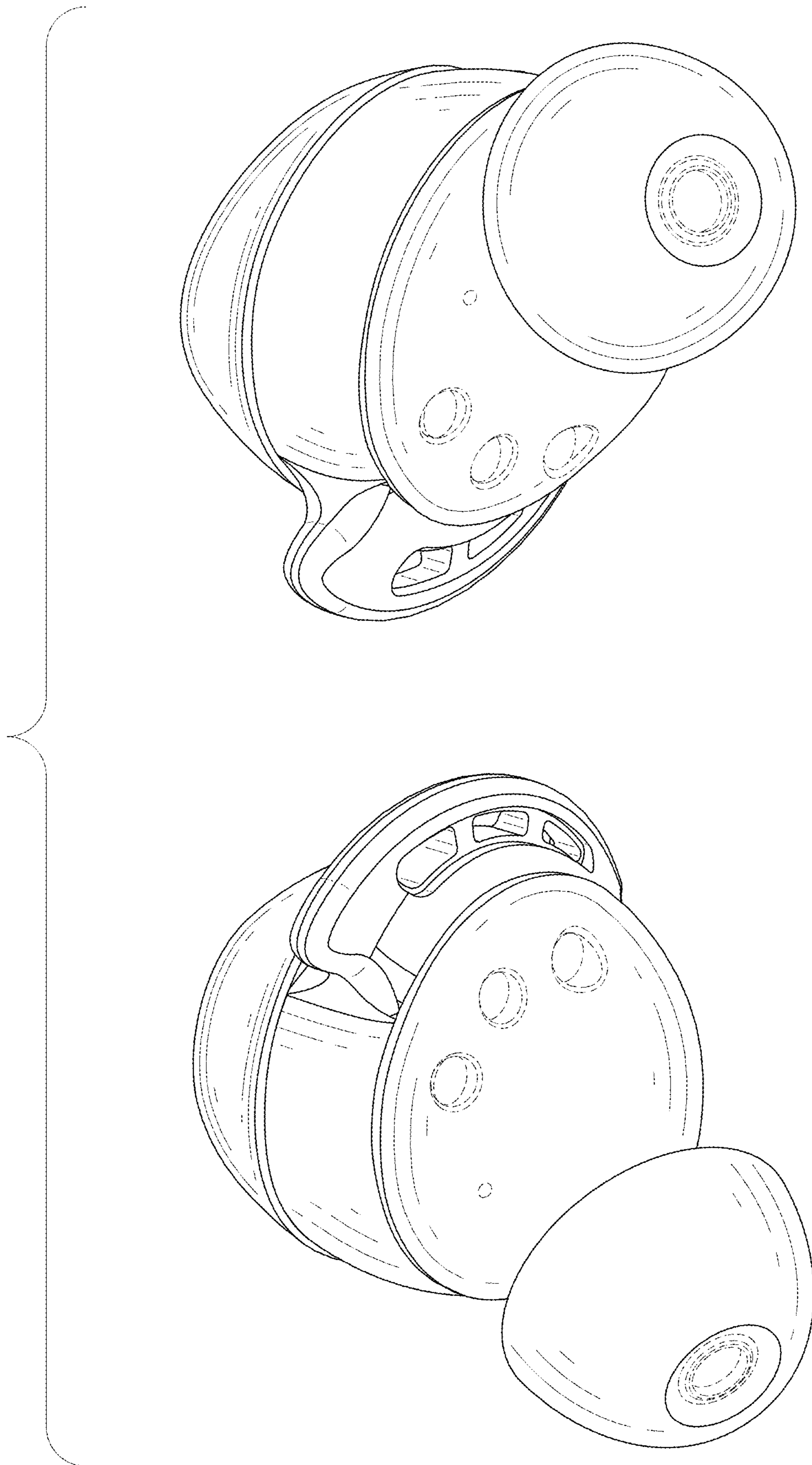


FIG. 1

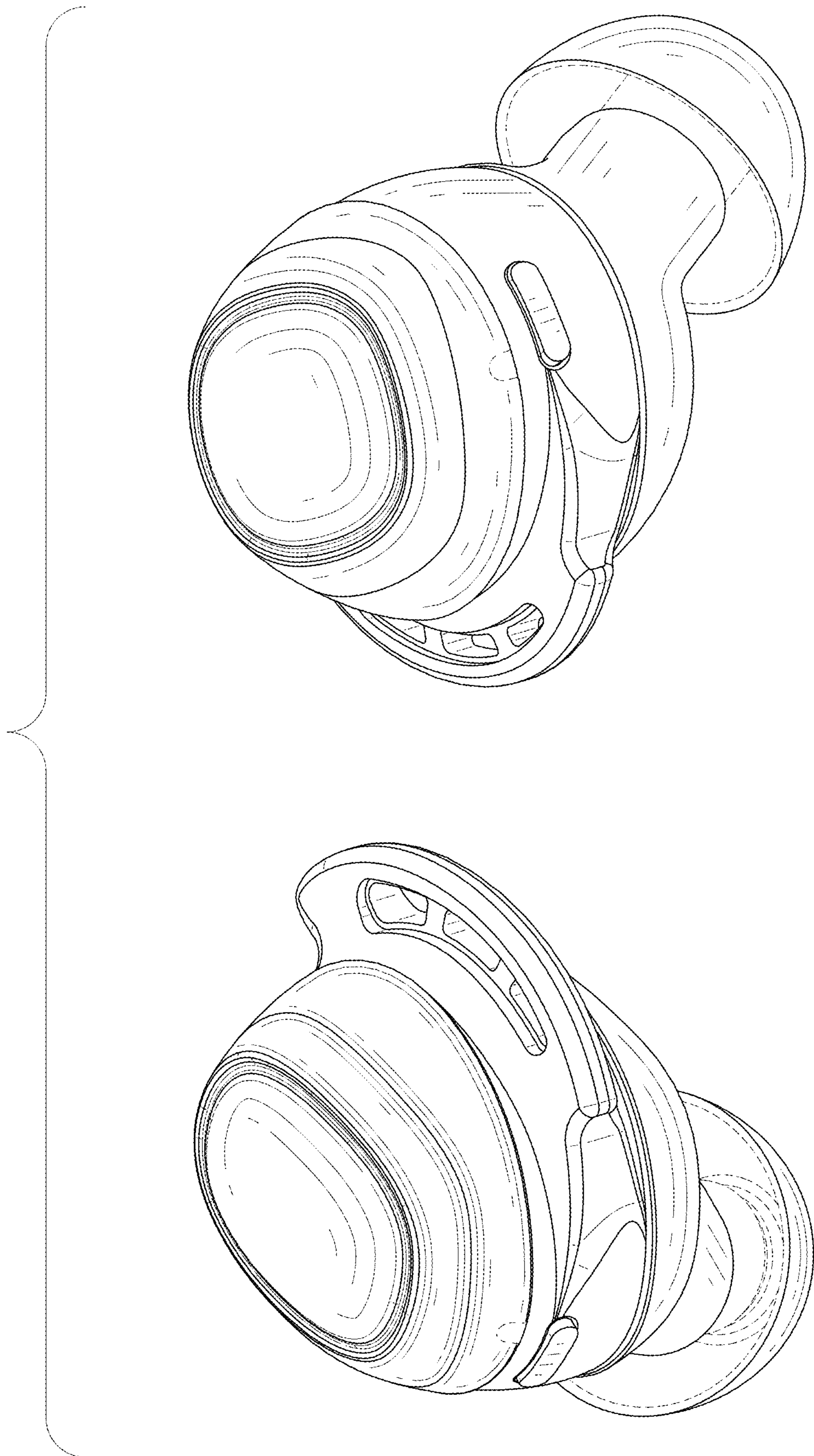


FIG. 2

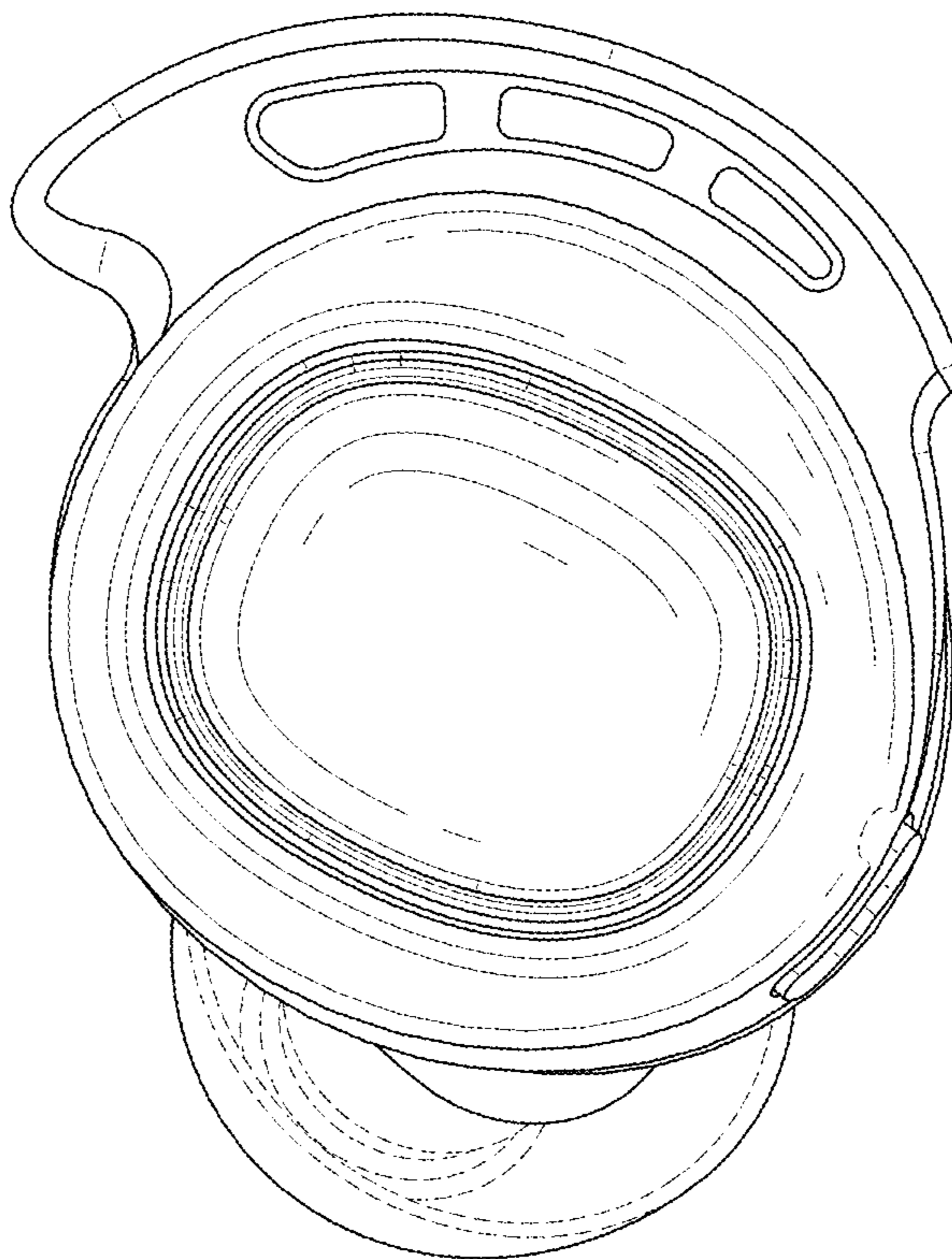
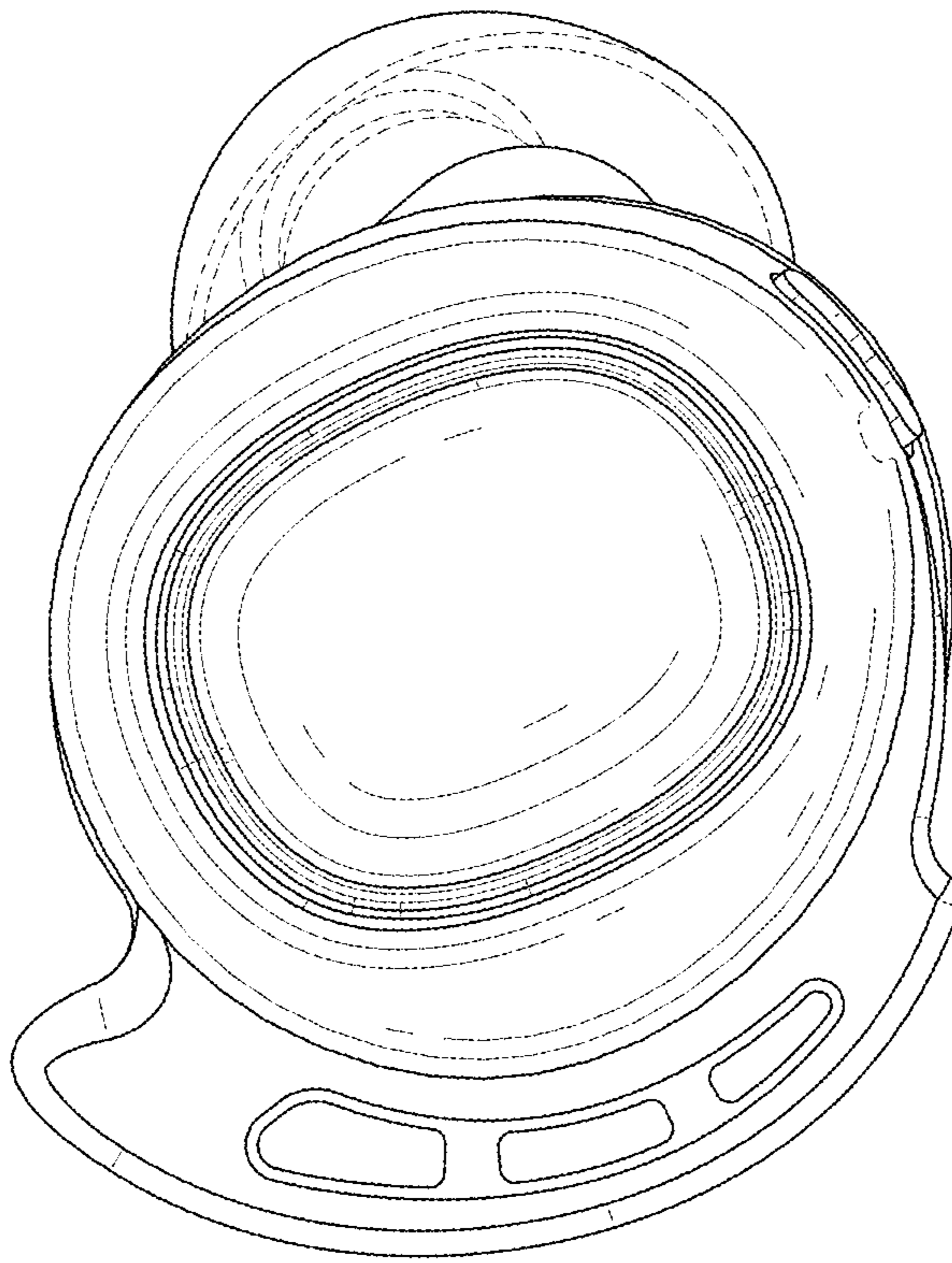
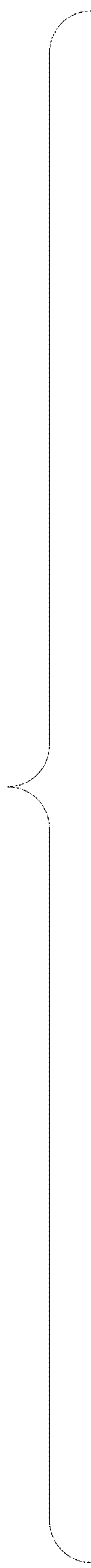


FIG. 3

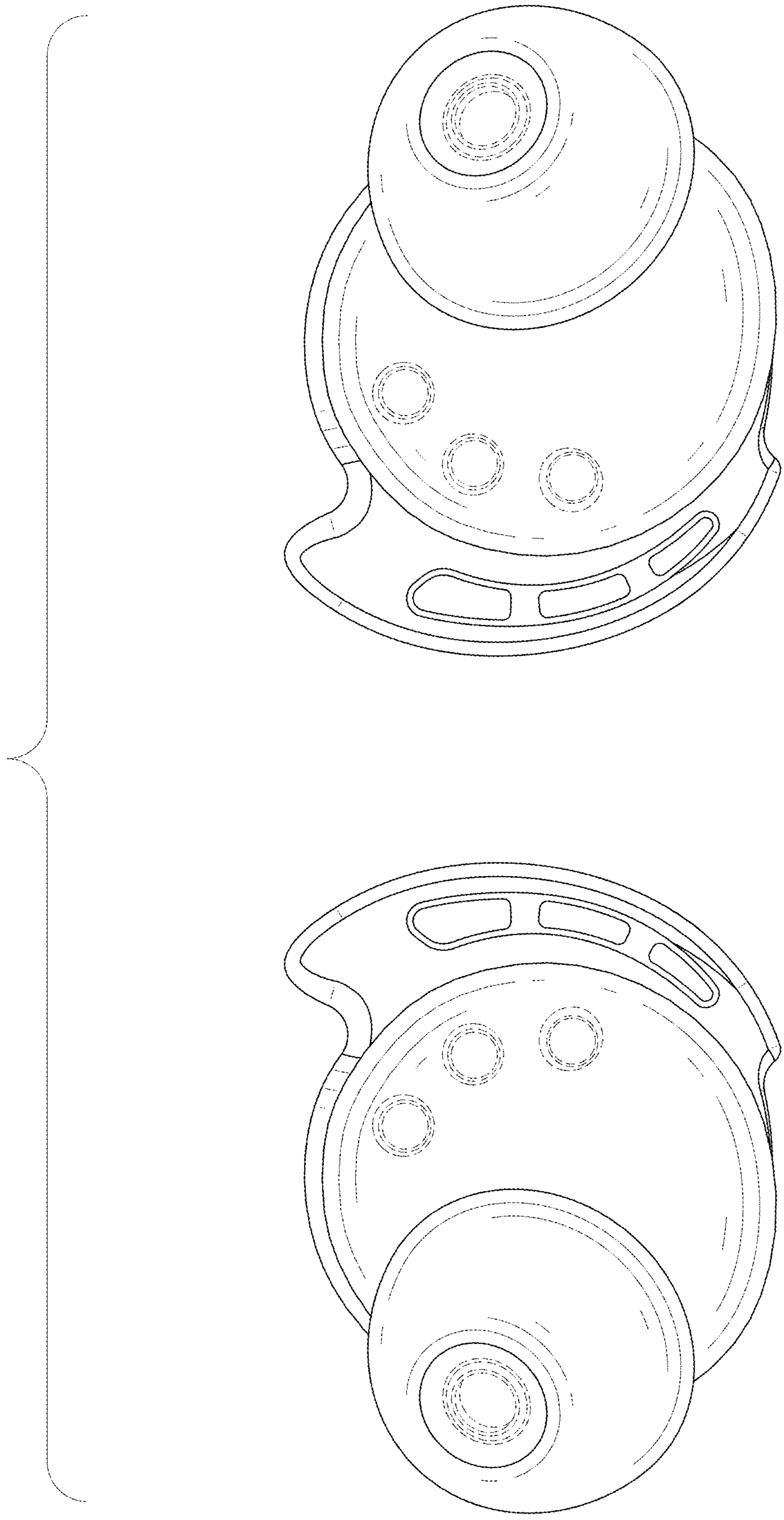


FIG. 4

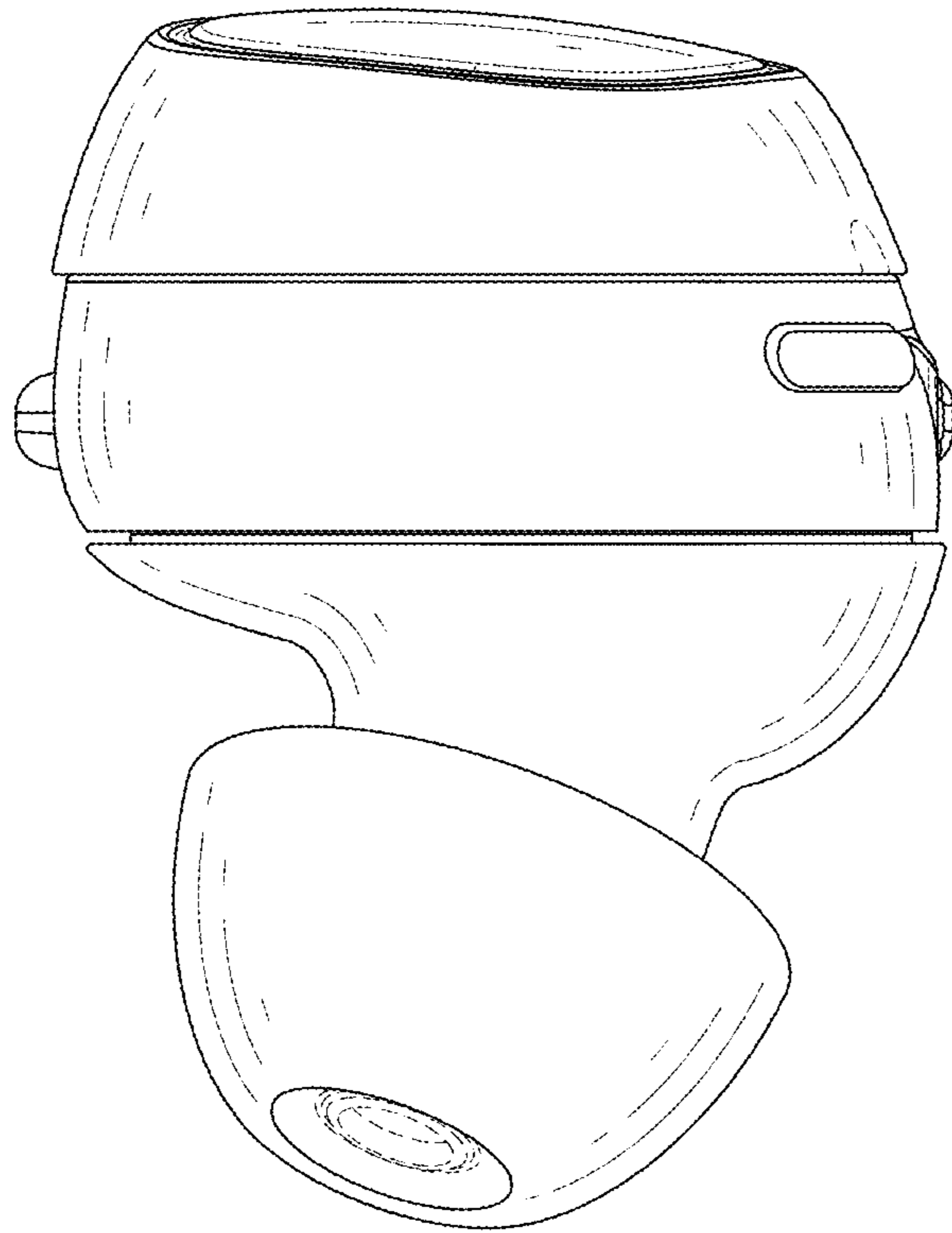


FIG. 5

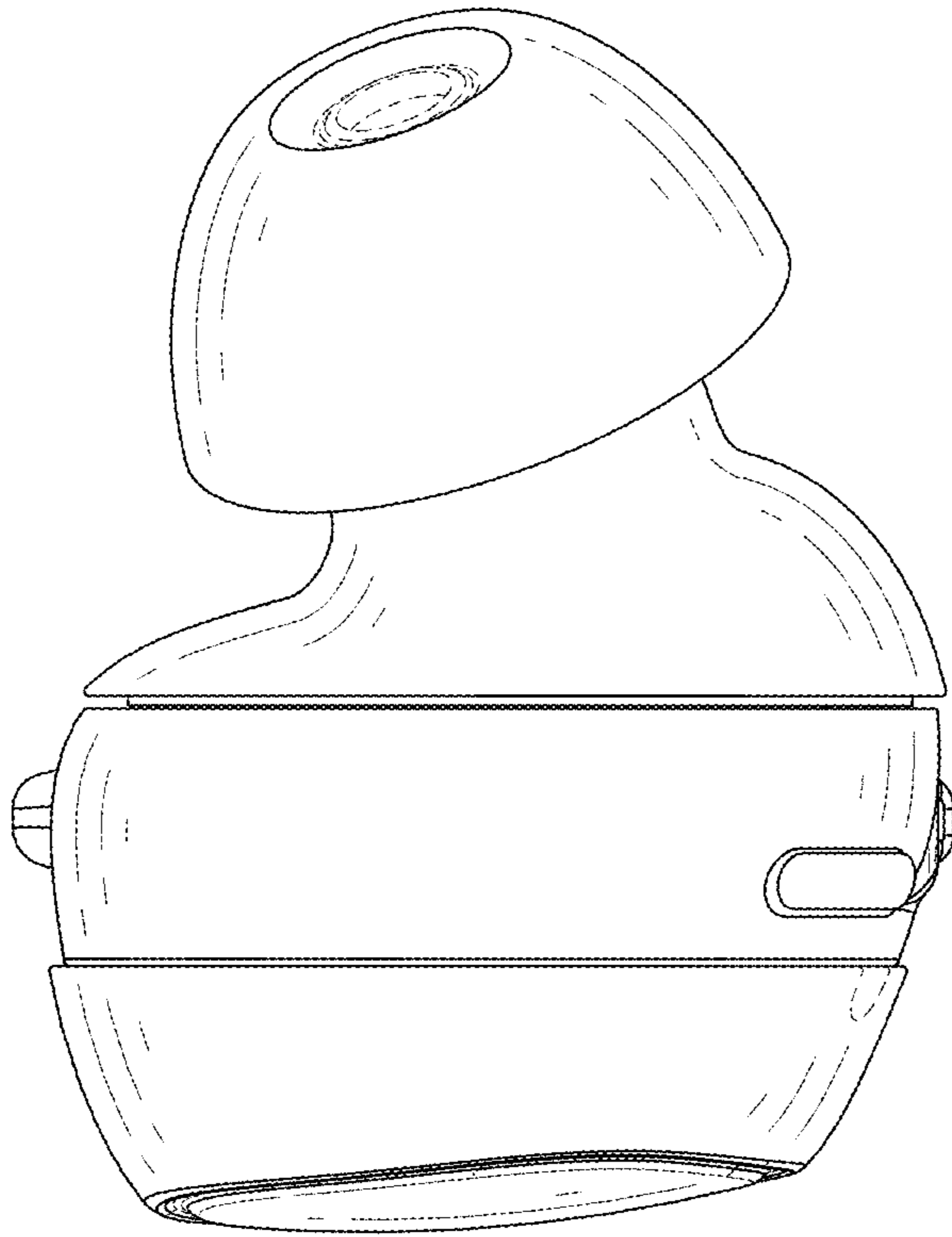


FIG. 6

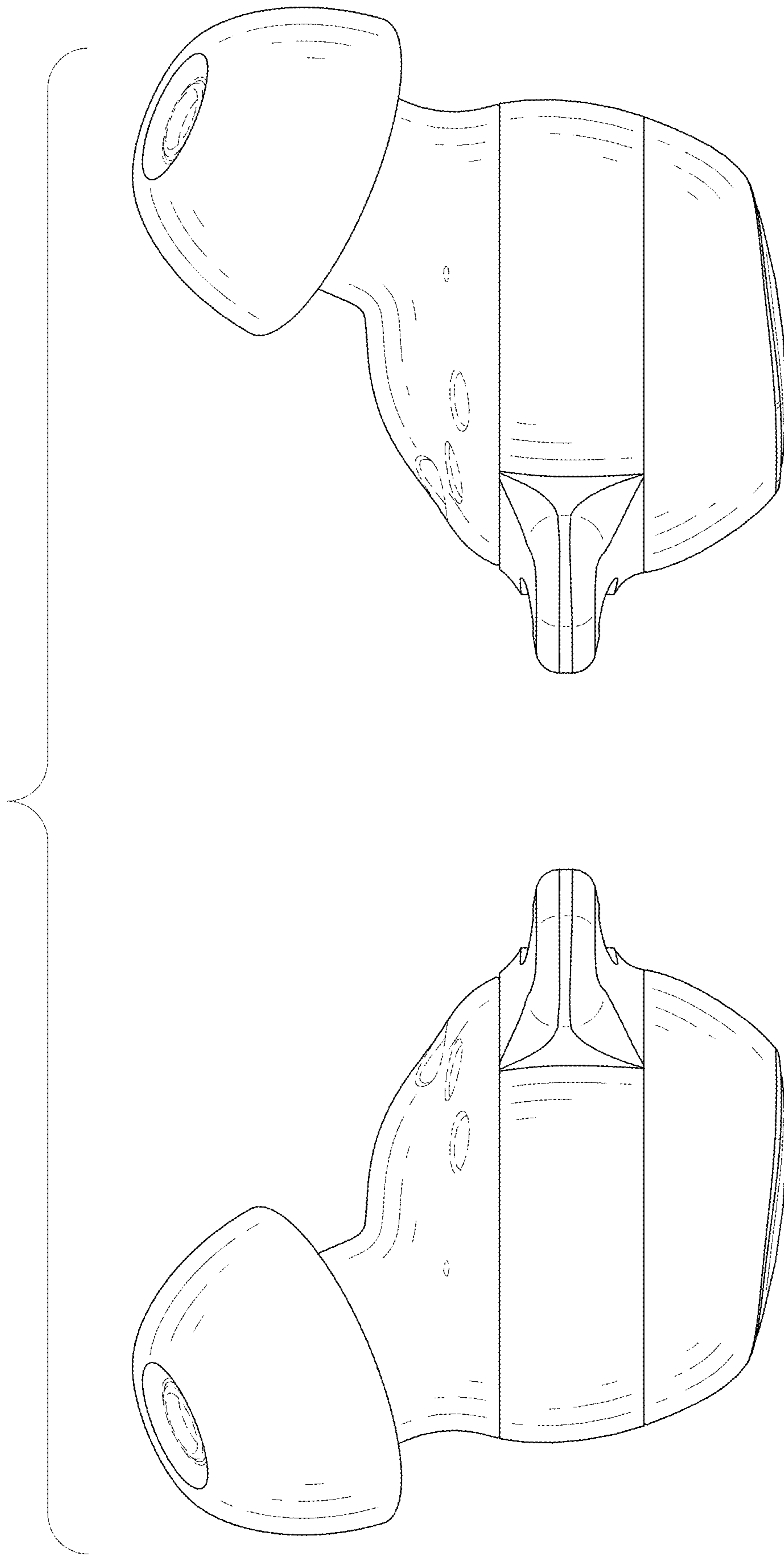


FIG. 7

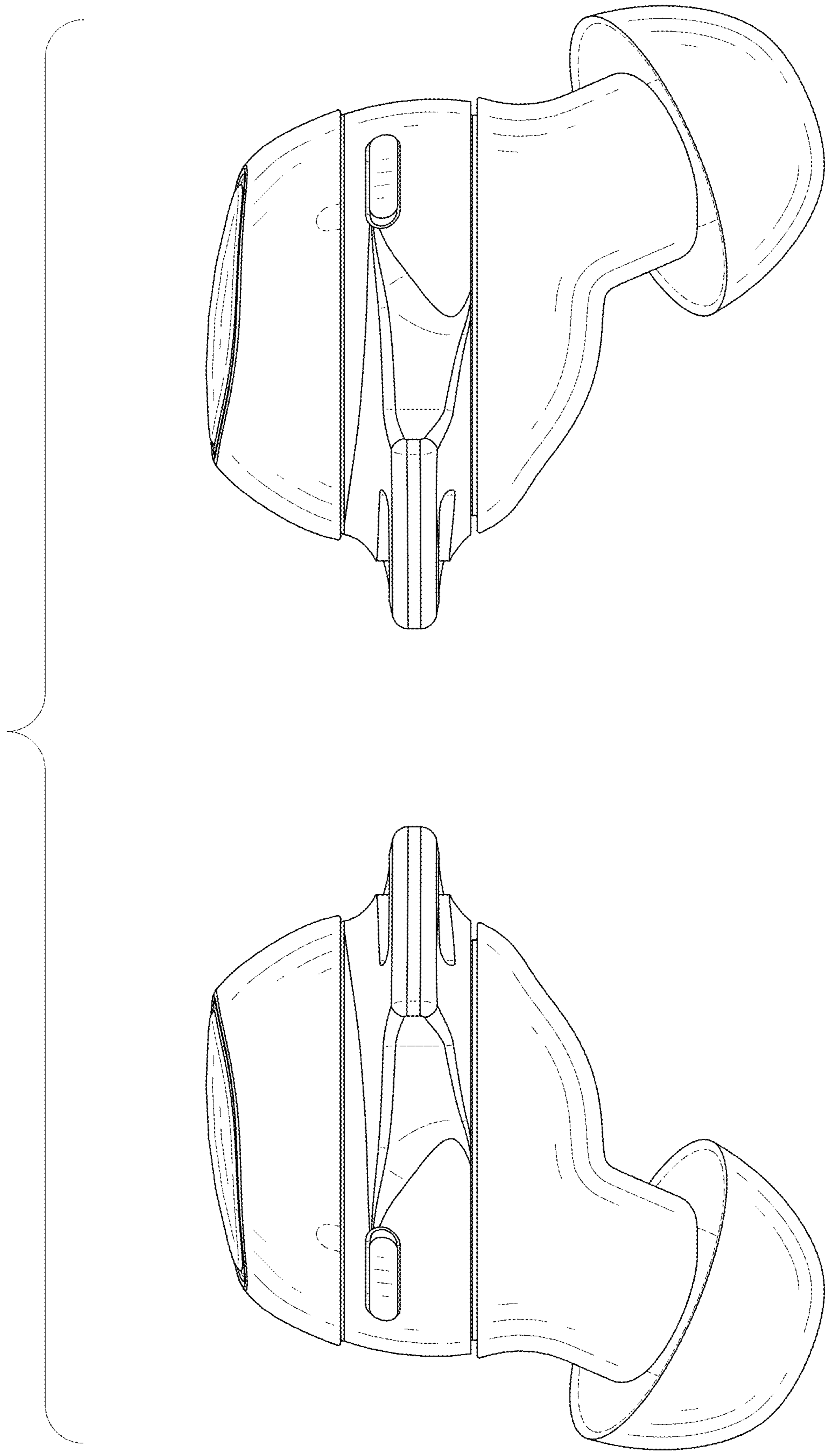


FIG. 8

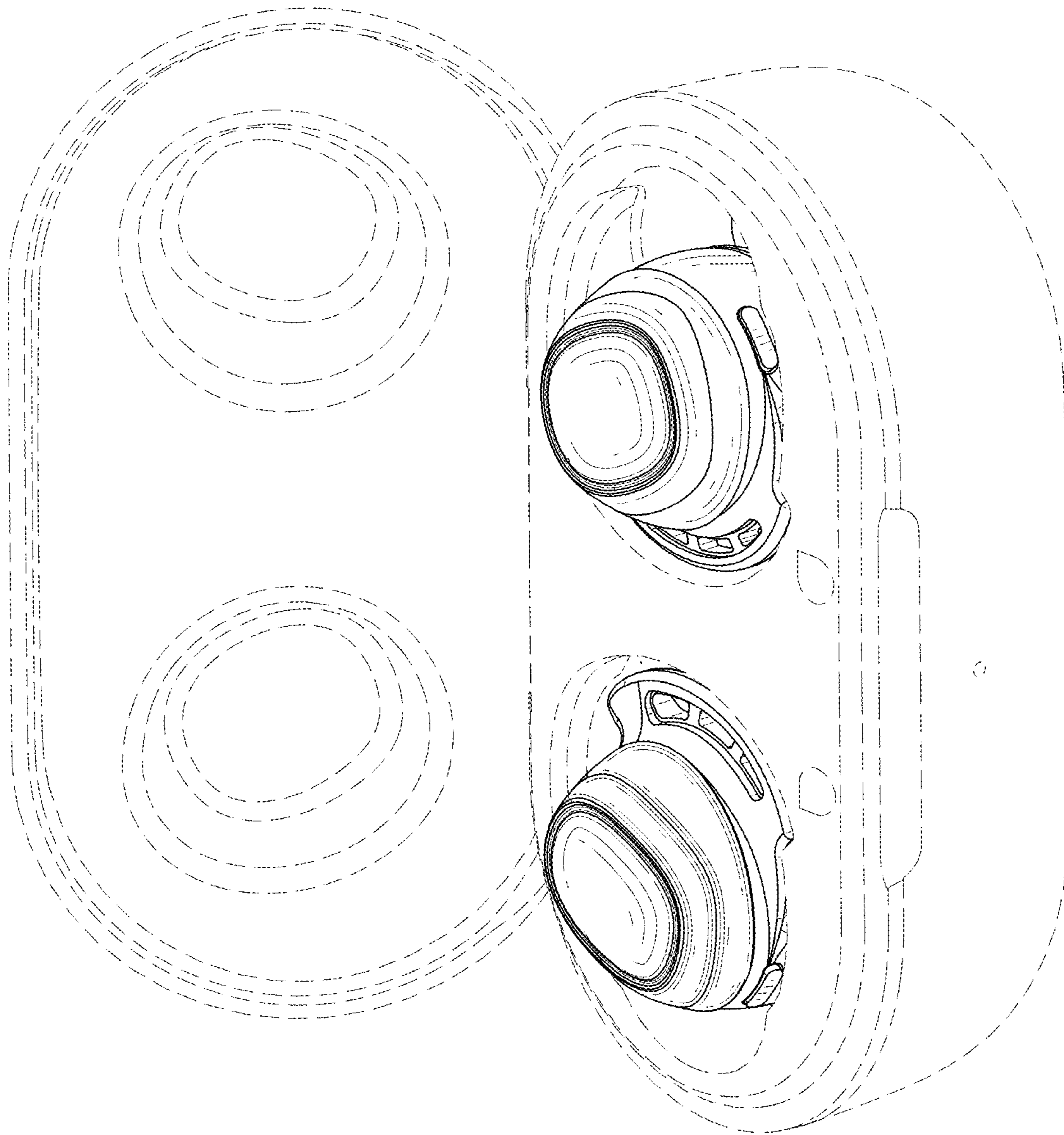


FIG. 9