



US00D883260S

(12) **United States Design Patent** (10) **Patent No.:** **US D883,260 S**
Hu (45) **Date of Patent:** **** May 5, 2020**

(54) **EARPHONE**
(71) Applicant: **SHENZHEN QIANHAI PATUOXUN NETWORK AND TECHNOLOGY CO., LTD**, Shenzhen (CN)
(72) Inventor: **Zaihui Hu**, Shenzhen (CN)
(73) Assignee: **SHENZHEN QIANHAI PATUOXUN NETWORK AND TECHNOLOGY CO., LTD**, Shenzhen (CN)

(**) Term: **15 Years**

(21) Appl. No.: **29/718,505**

(22) Filed: **Dec. 25, 2019**

(51) **LOC (12) Cl.** **14-01**

(52) **U.S. Cl.**
USPC **D14/223**

(58) **Field of Classification Search**
USPC D14/223, 205; D24/174; 128/864, 865, 128/866; 181/129, 130, 135; 379/430, 379/431; 381/380, 381, 370, 374; 455/90.3, 575.1, 569.1
CPC H04R 1/10; H04R 25/00; H04R 25/02; H04R 1/1066; H04R 1/1016; H04R 5/033; H04R 5/0335

See application file for complete search history.

(56) **References Cited**

U.S. PATENT DOCUMENTS

3,527,902 A * 9/1970 Van Liempd H04R 1/38 381/356
4,646,872 A * 3/1987 Kamon H04R 1/225 181/129
D302,819 S * 8/1989 Kubota D14/228
4,972,492 A * 11/1990 Tanaka H04R 1/1016 181/130
4,981,194 A * 1/1991 Kamon H04R 1/22 181/129

D318,864 S * 8/1991 Daido D14/205
D331,061 S * 11/1992 Hyohgo D14/223
D340,932 S * 11/1993 Yan D14/249
D353,379 S * 12/1994 Nakamura D14/223
D357,921 S * 5/1995 Ming-Chin D14/223
5,742,697 A * 4/1998 Ching-Chung H04R 1/083 381/355
D448,359 S * 9/2001 Do D14/223
D469,753 S * 2/2003 Andre D14/205
6,574,345 B1 * 6/2003 Huang H04R 1/1016 379/430
D499,397 S * 12/2004 Hlas D14/223
D515,070 S * 2/2006 Andre D14/205
D541,420 S * 4/2007 Darbut D24/174
D555,152 S * 11/2007 Wang D14/223
D557,689 S * 12/2007 Huang D14/223
D572,242 S * 7/2008 Yang D14/205

(Continued)

FOREIGN PATENT DOCUMENTS

CN 305103785 * 4/2019
CN 305472230 * 12/2019

Primary Examiner — Paula Allen Greene

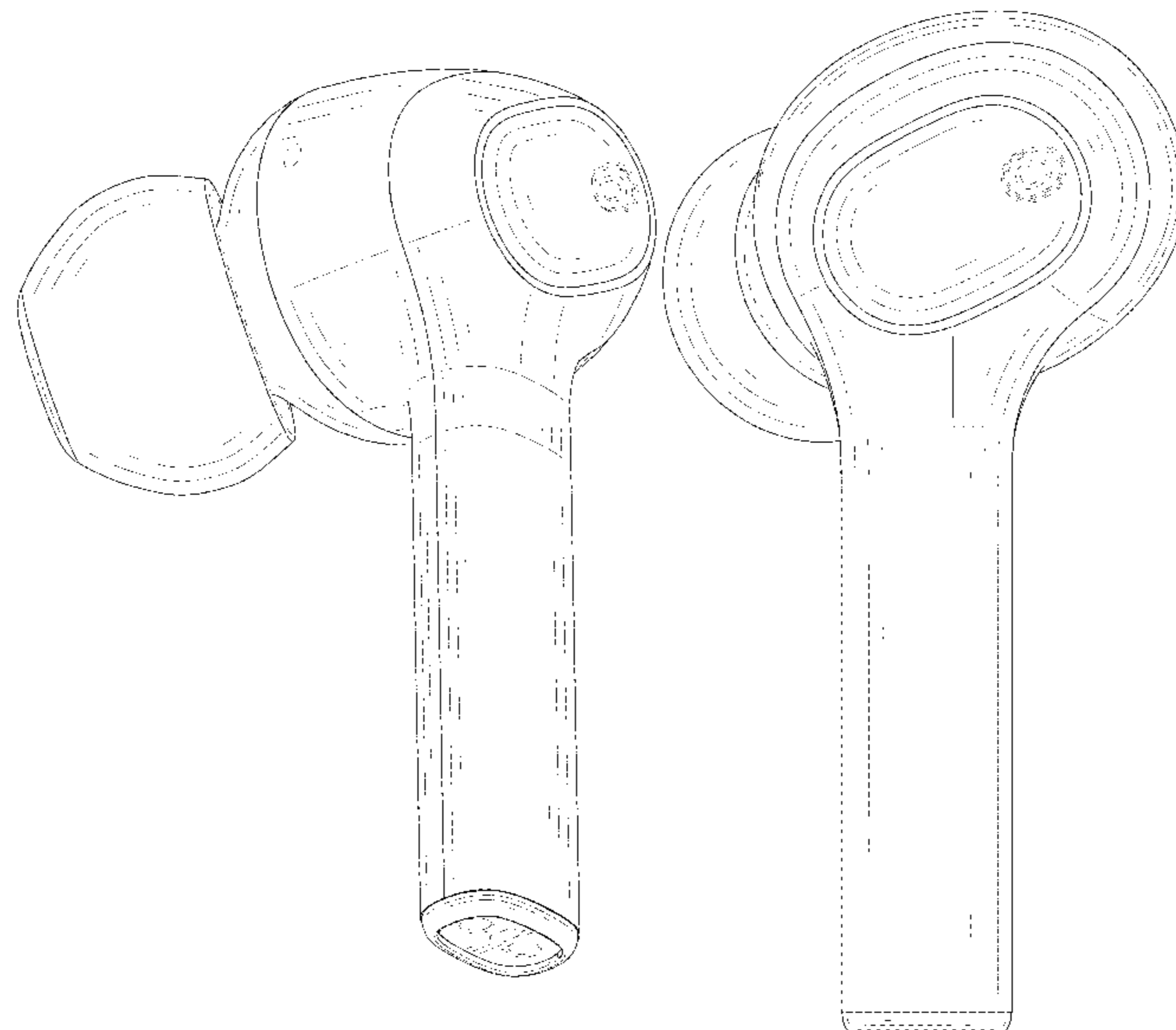
(57) **CLAIM**

The ornamental design for an earphone, as shown and described.

DESCRIPTION

FIG. 1 is a perspective view of an earphone showing my new design;
FIG. 2 is another perspective view thereof;
FIG. 3 is a front elevational view thereof;
FIG. 4 is a rear elevational view thereof;
FIG. 5 is a left side elevational view thereof;
FIG. 6 is a right side elevational view thereof;
FIG. 7 is a top plan view thereof; and,
FIG. 8 is a bottom plan view thereof.
The broken lines in the drawings depict environment that form no part of the claimed design.

1 Claim, 8 Drawing Sheets



(56)

References Cited

U.S. PATENT DOCUMENTS

D583,804 S *	12/2008	Mahler	D14/223	D828,823 S *	9/2018	Lin	D14/223
D590,378 S *	4/2009	Bradford	D14/223	D830,336 S *	10/2018	Cai	D14/205
D595,272 S *	6/2009	Kim	D14/223	D832,824 S *	11/2018	Kim	D14/223
D606,980 S *	12/2009	Bradford	D14/218	D845,281 S *	4/2019	Lee	D14/223
D632,680 S *	2/2011	Anneback	D14/228	D845,933 S *	4/2019	Lee	D14/223
D641,738 S *	7/2011	Perez	D14/223	D847,125 S *	4/2019	Akana	D14/223
D652,823 S *	1/2012	Chen	D14/223	D847,794 S *	5/2019	Guo	D14/223
D653,235 S *	1/2012	McManigal	D14/205	D848,979 S *	5/2019	Kim	D14/223
D681,015 S *	4/2013	Akana	H04R 1/1016	D848,983 S *	5/2019	Kim	D14/223
				D14/223	D860,973 S *	9/2019	Ko	D14/223
D718,284 S *	11/2014	Shibusawa	D14/223	D861,647 S *	10/2019	Chen	D14/223
9,042,583 B2 *	5/2015	Buyens	H04R 25/50	D868,729 S *	12/2019	Czaniecki	D14/205
				381/312	D870,708 S *	12/2019	Lindenberger	D14/223
				381/312	D872,711 S *	1/2020	Hu	D14/223
D733,101 S *	6/2015	Pi	D14/223	2011/0103637 A1 *	5/2011	Yuen	H04R 1/1041
D733,689 S *	7/2015	Narita	D14/223					381/380
D738,864 S *	9/2015	Lee	D14/223	2012/0237074 A1 *	9/2012	Aase	H04R 1/1016
D741,287 S *	10/2015	Harata	D14/205					381/380
D757,682 S *	5/2016	Perez	D14/205	2012/0275635 A1 *	11/2012	Chen	H04R 1/1075
D784,962 S	4/2017	Yang							381/380
D798,843 S *	10/2017	Valenzuela	D14/223	2013/0343585 A1 *	12/2013	Bennett	H04R 25/554
D801,314 S *	10/2017	Akana	D14/223					381/315
D803,184 S *	11/2017	Loh Jun Kern	D14/205	2015/0382100 A1 *	12/2015	Azmi	H04R 1/1091
D817,309 S *	5/2018	Czaniecki	D14/223					381/380
D820,809 S *	6/2018	Akana	D14/205	2017/0026738 A1 *	1/2017	Tang	H04R 1/1058
D822,009 S	7/2018	Matoba et al.			2017/0164087 A1 *	6/2017	Kurtz	H04R 1/12

* cited by examiner

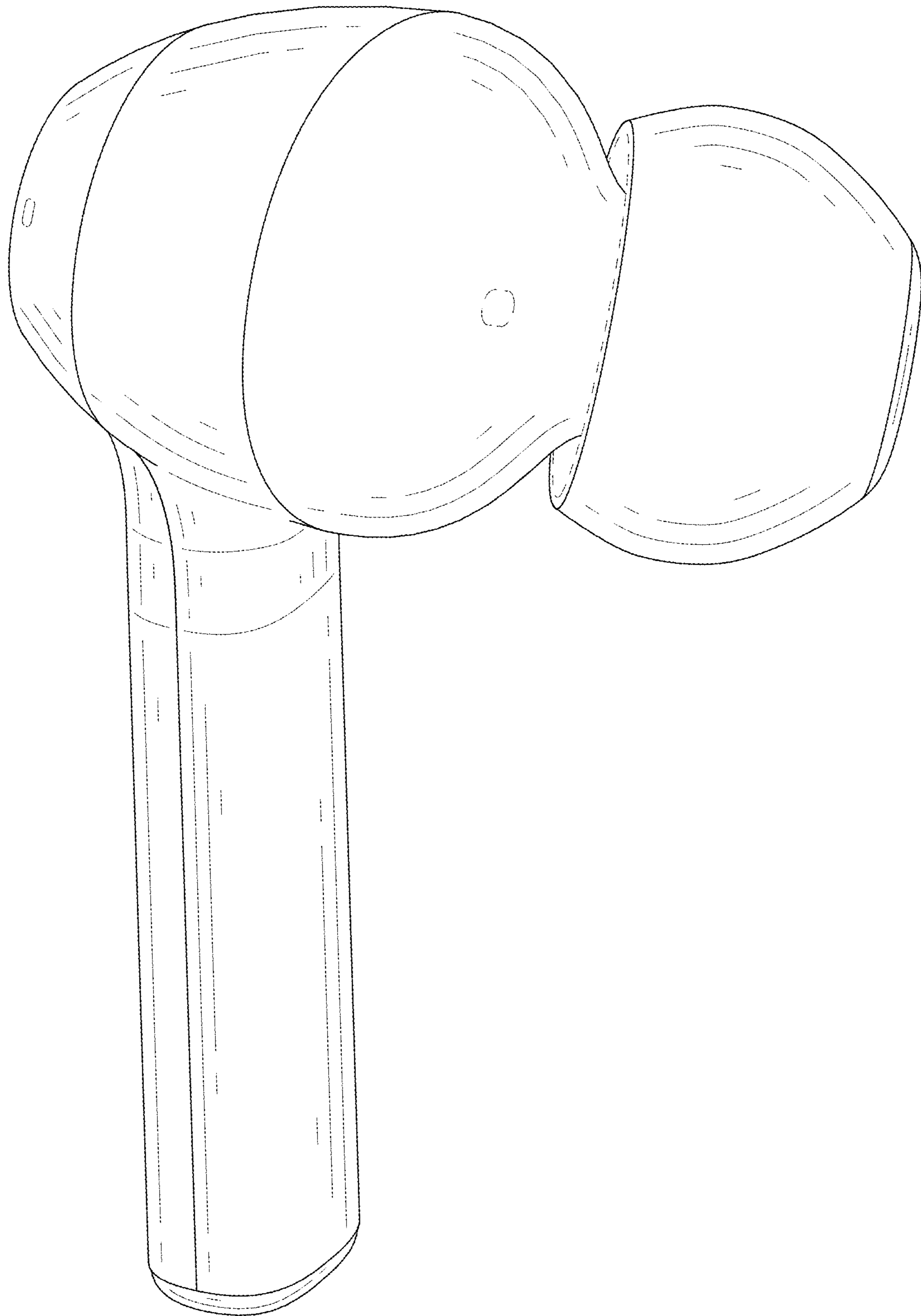


FIG. 1

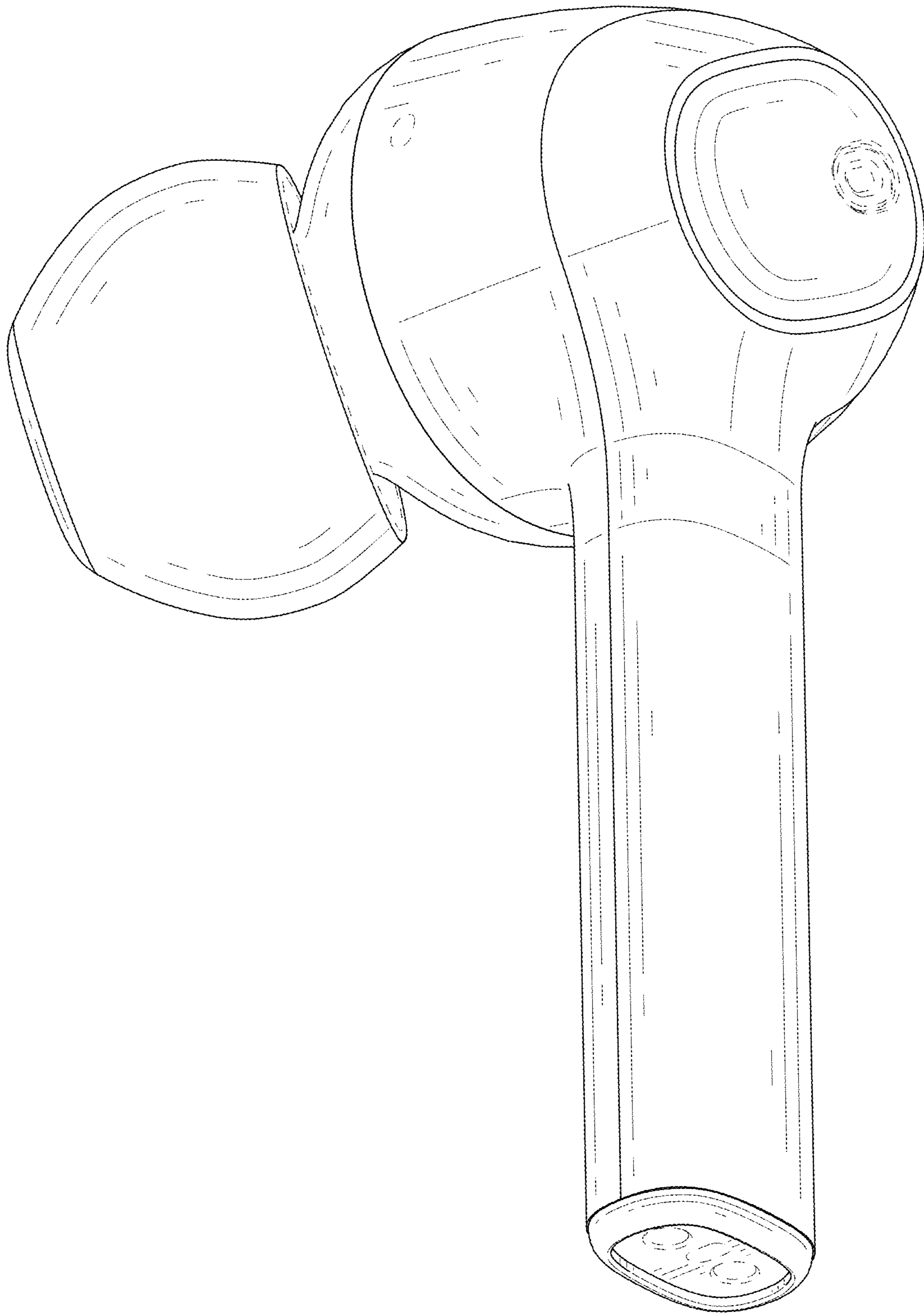


FIG. 2

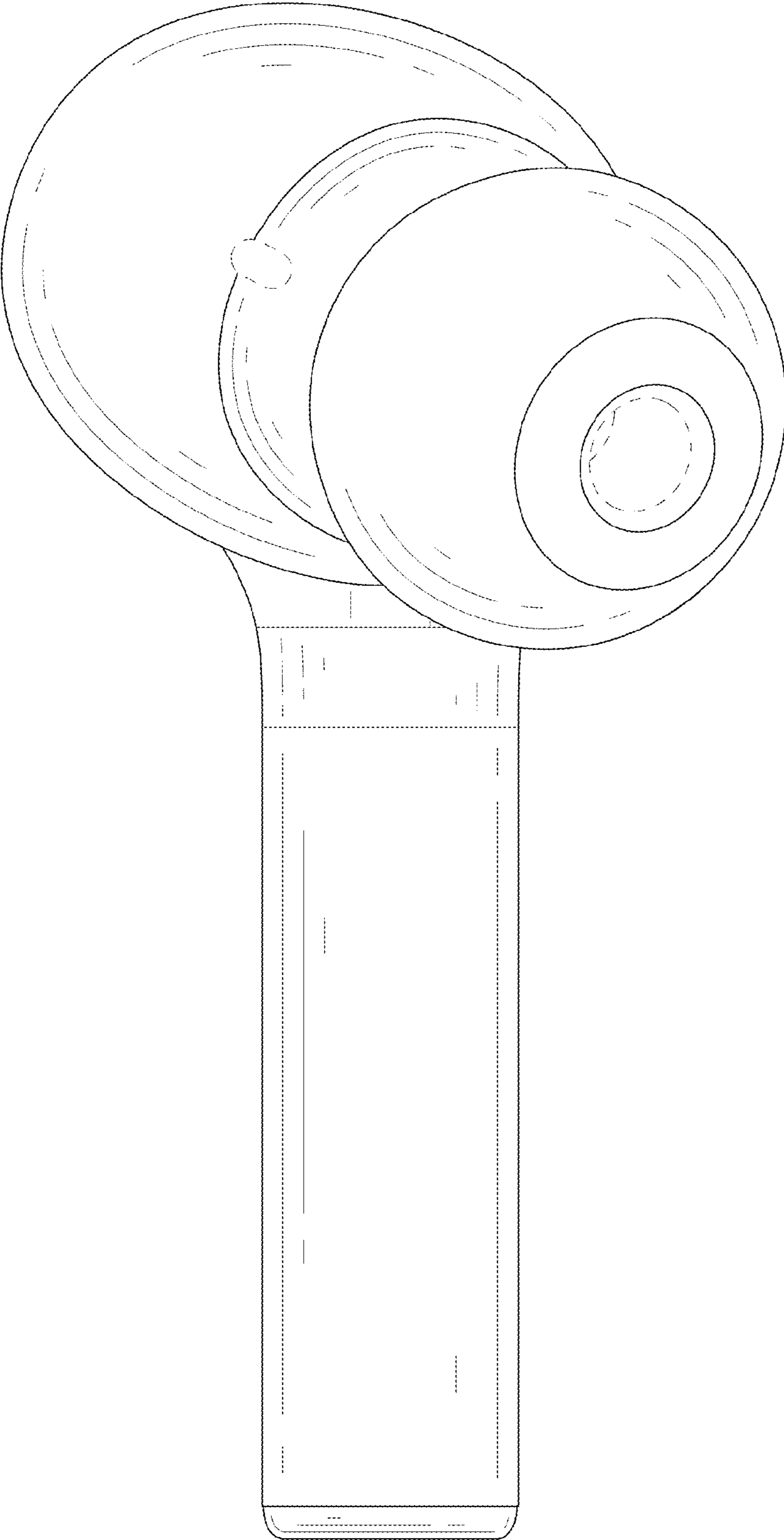


FIG. 3

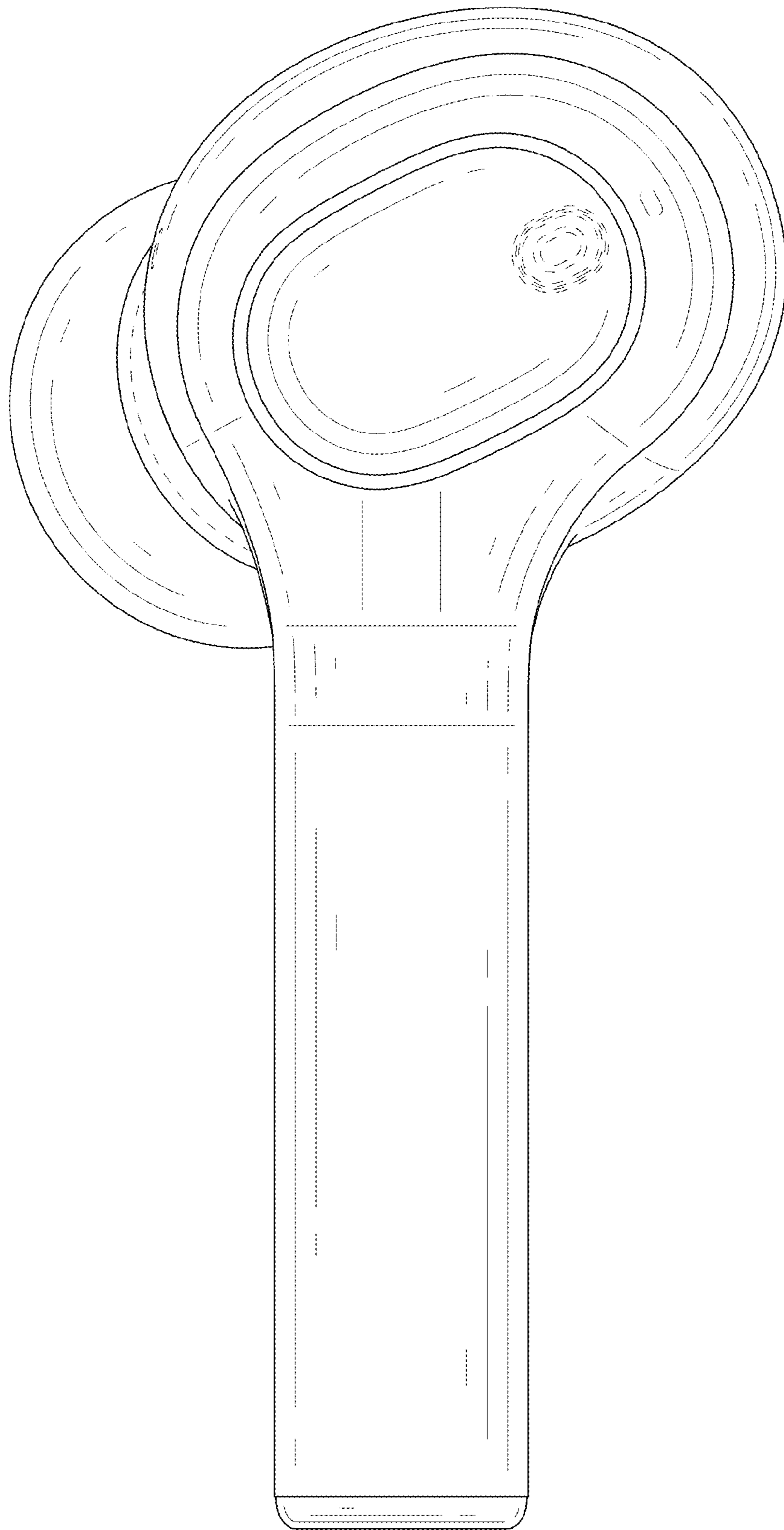


FIG. 4

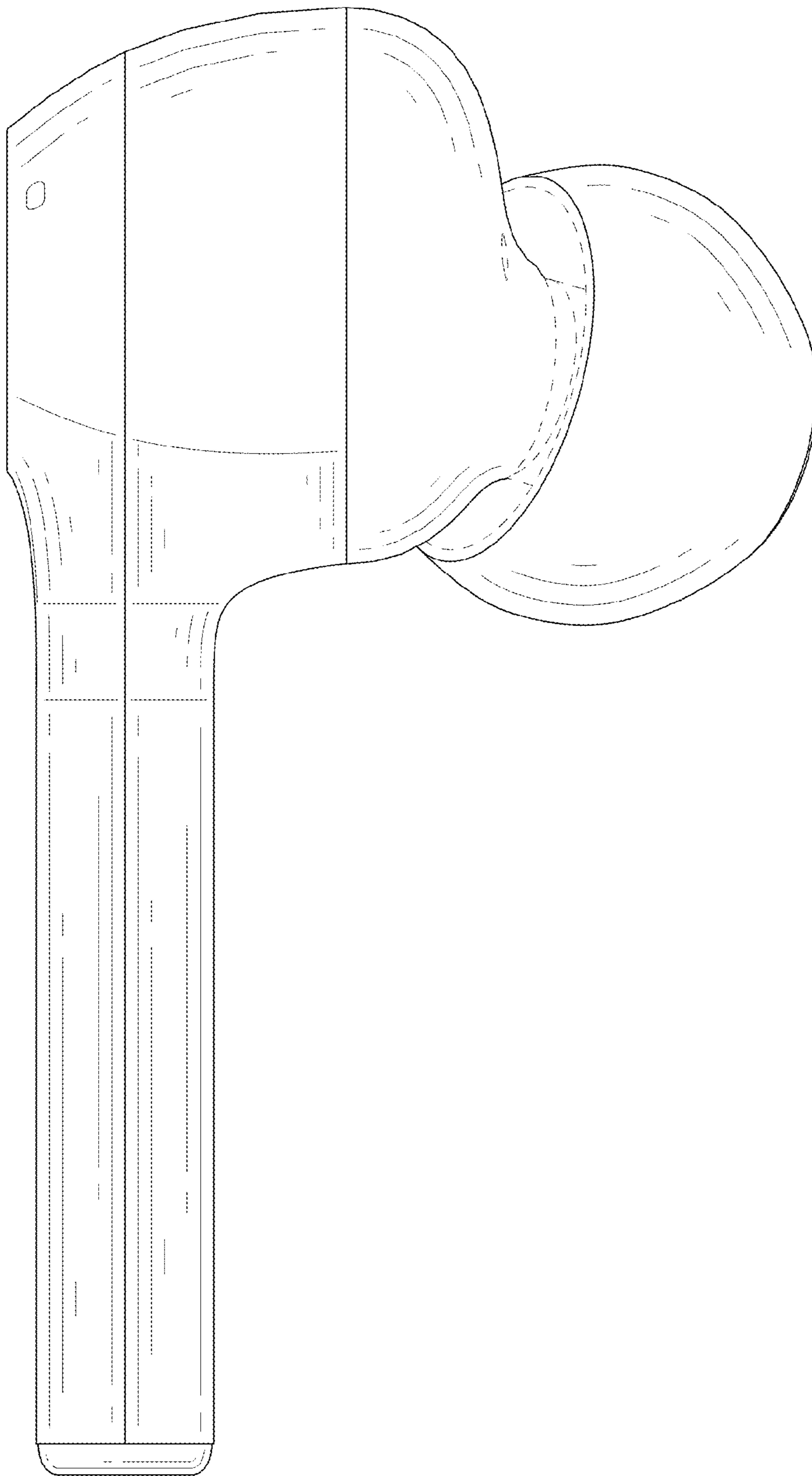


FIG. 5

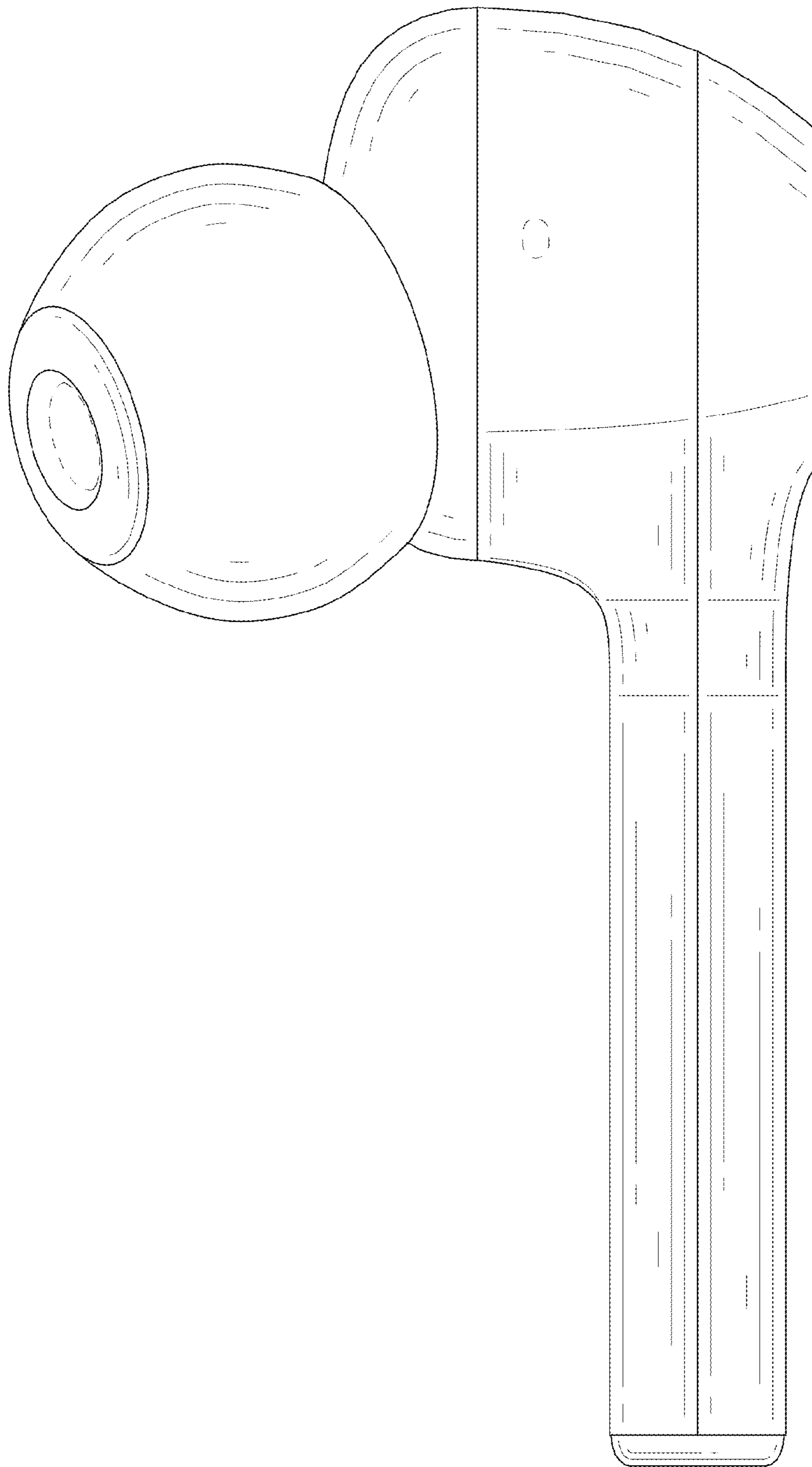


FIG. 6

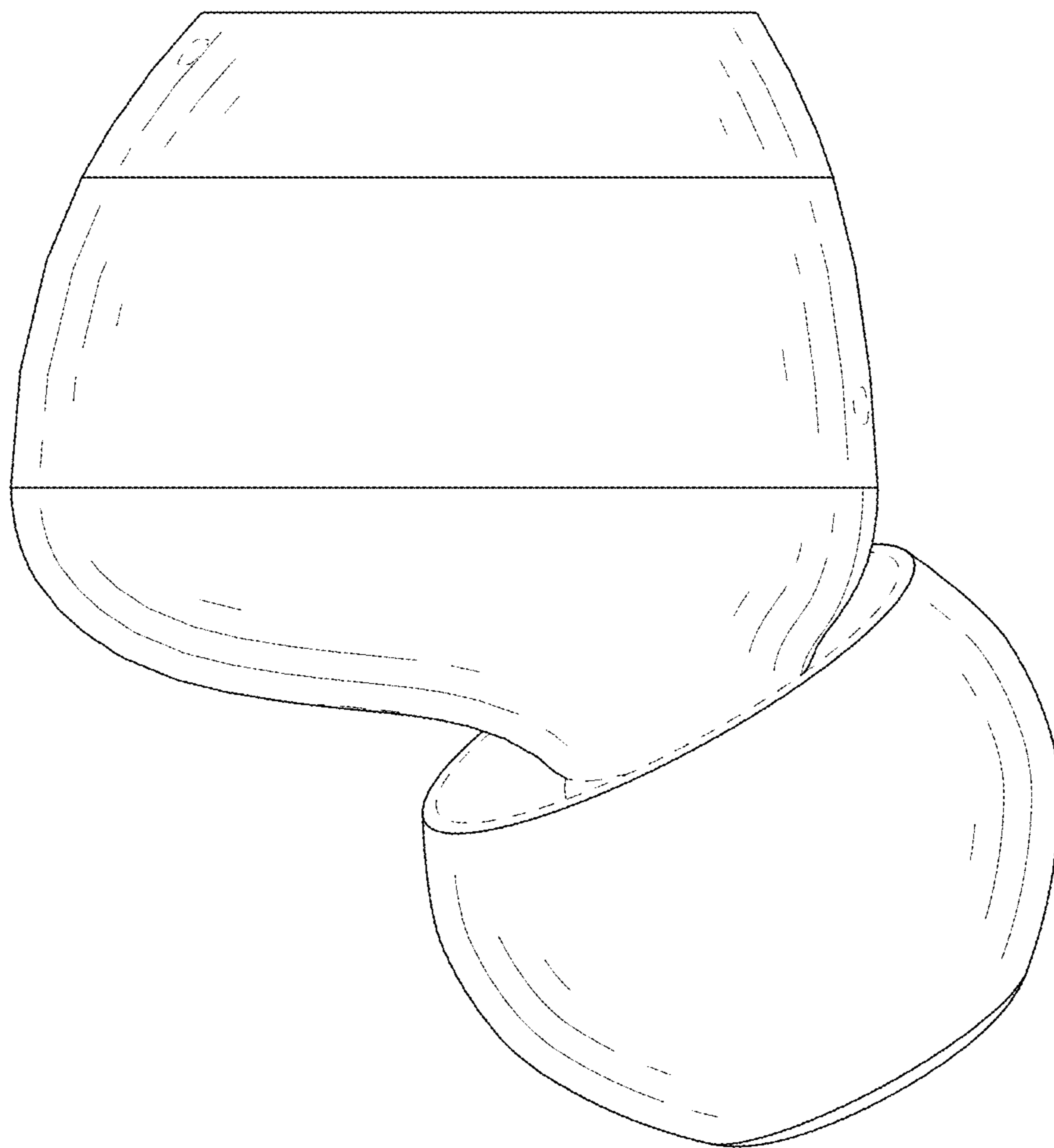


FIG. 7

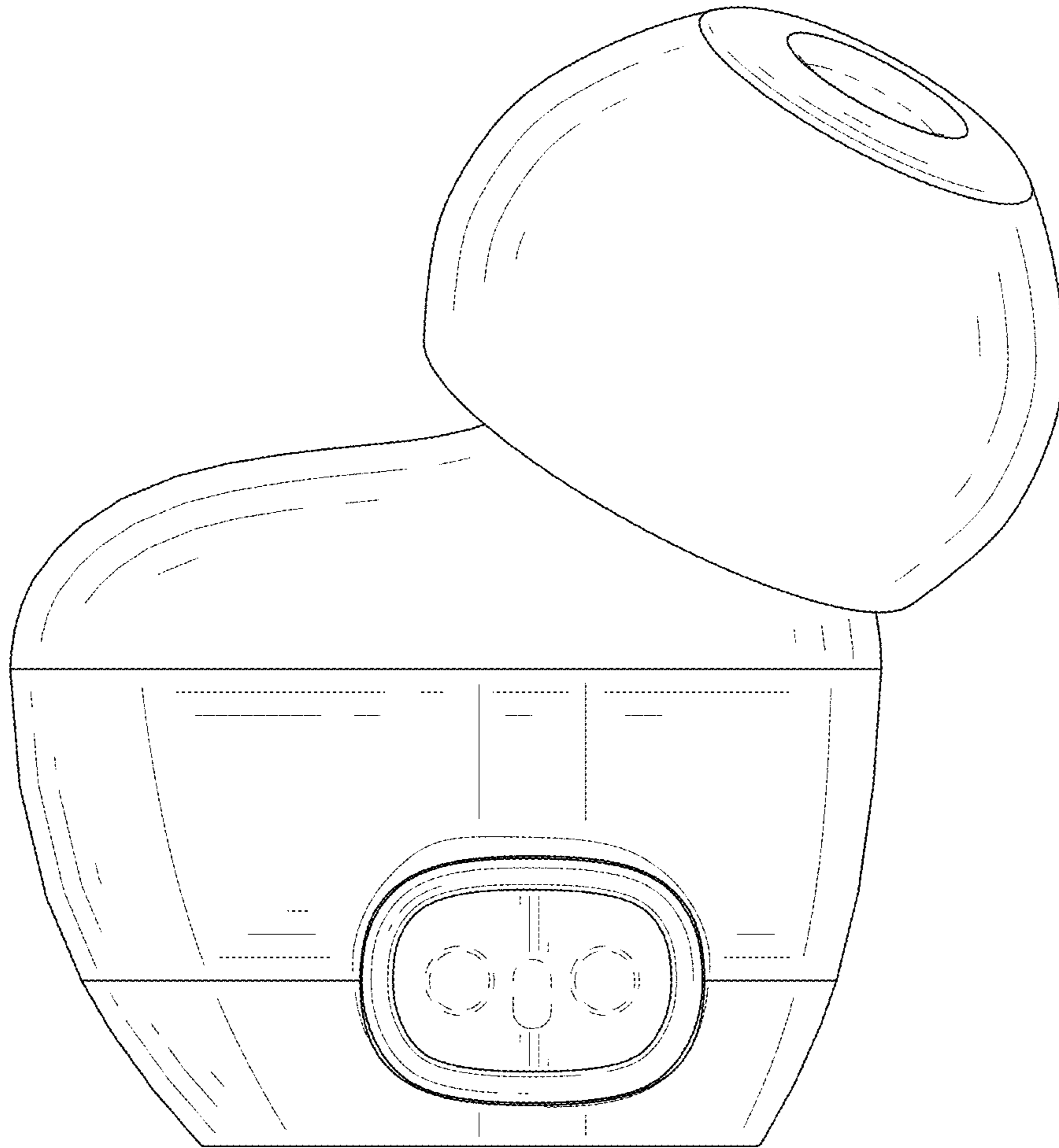


FIG. 8