



US00D883258S

(12) **United States Design Patent**
Wu

(10) **Patent No.:** **US D883,258 S**

(45) **Date of Patent:** **** May 5, 2020**

(54) **EARPHONE**

(71) Applicant: **Guangdong Oppo Mobile Telecommunications Corp., Ltd.**, Dongguan, Guangdong (CN)

(72) Inventor: **Zhenyu Wu**, Guangdong (CN)

(73) Assignee: **GUANGDONG OPPO MOBILE TELECOMMUNICATIONS CORP., LTD.**, Dongguan (CN)

(**) Term: **15 Years**

(21) Appl. No.: **29/667,094**

(22) Filed: **Oct. 18, 2018**

(30) **Foreign Application Priority Data**

May 17, 2018 (CN) 2018 3 0228923

(51) **LOC (12) Cl.** **14-01**

(52) **U.S. Cl.**
USPC **D14/223**

(58) **Field of Classification Search**

USPC ... D14/205, 207, 209.1, 217, 218, 221, 223, D14/224, 224.1, 225; D24/173, 174, 106, D24/105

CPC H04R 1/00; H04R 1/10; H04R 1/1016; H04R 1/1066; H04R 1/105; H04R 1/1033; H04R 1/1083; H04R 1/1091; H04R 5/033; H04R 5/0335; H04R 25/00

See application file for complete search history.

(56) **References Cited**

U.S. PATENT DOCUMENTS

D583,805 S * 12/2008 Jaakkola D14/223
D687,417 S 8/2013 Koss et al.
D713,822 S * 9/2014 Paradise D14/206
D801,950 S * 11/2017 Otani D14/223

(Continued)

FOREIGN PATENT DOCUMENTS

CN 201930337564.8 * 6/2019
KR 30-0891796 1/2017
KR 30-0931388 11/2017

OTHER PUBLICATIONS

Wireless Bluetooth Earbuds, announced Mar. 4, 2019 [online], retrieved Feb. 26, 2020, retrieved from internet, <https://www.walmart.com/ip/Wireless-Bluetooth-Earbuds-Hands-free-Calling-Sweatproof-In-Ear-Headset-Earphone-with-Charging-Case-for-iPhone-Samsung-Smart-Phones-I0359/106105155>.*

Primary Examiner — Michelle E. Wilson

Assistant Examiner — Messina L Smith

(74) *Attorney, Agent, or Firm* — Young Basile Hanlon & MacFarlane, P.C.

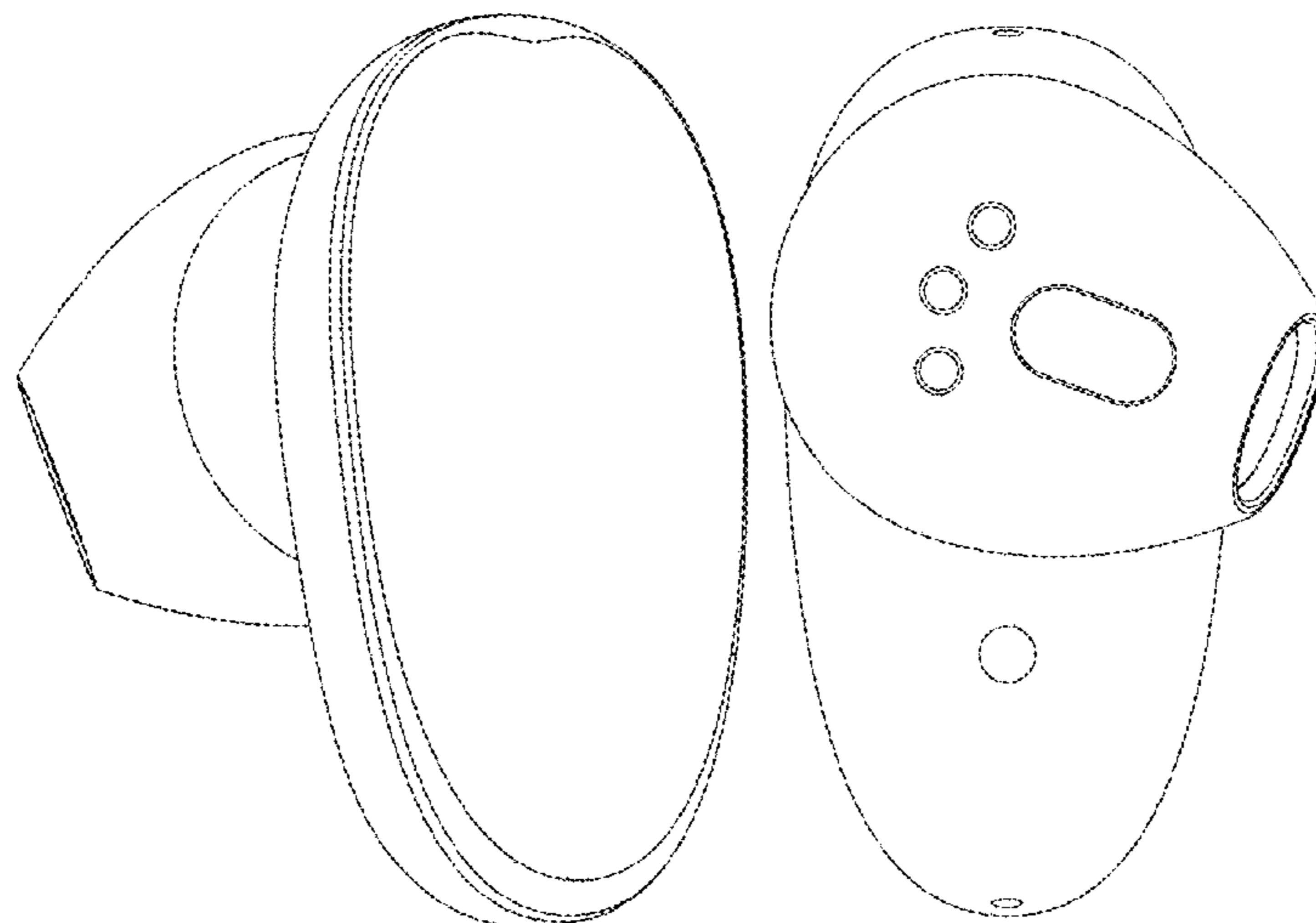
(57) **CLAIM**

The ornamental design for an earphone, as shown and described.

DESCRIPTION

FIG. 1 is a front, left perspective view of a first embodiment of an earphone showing my new design;
FIG. 2 is a rear, left perspective view thereof;
FIG. 3 is a top, left perspective view thereof;
FIG. 4 is a front view thereof;
FIG. 5 is a rear view thereof;
FIG. 6 is a left side view thereof;
FIG. 7 is a right side view thereof;
FIG. 8 is a top plane view thereof;
FIG. 9 is a bottom plan view thereof;
FIG. 10 is a front, right perspective view of a second embodiment of the earphone showing my new design;
FIG. 11 is a rear, right perspective view thereof;
FIG. 12 is a top, right perspective view thereof;
FIG. 13 is a front view thereof;
FIG. 14 is a rear view thereof;
FIG. 15 is a left side view thereof;
FIG. 16 is a right side view thereof;
FIG. 17 is a top plan view thereof; and,
FIG. 18 is a bottom plan view thereof.

1 Claim, 14 Drawing Sheets



(56)

References Cited

U.S. PATENT DOCUMENTS

D806,879	S *	1/2018	Horbinski	D24/174
D841,626	S *	2/2019	Tang	D14/223
D843,354	S *	3/2019	Kumano	D14/223
D864,165	S *	10/2019	Roberts	D14/223
D871,376	S *	12/2019	Zhou	D14/223
D874,444	S *	2/2020	Chang	D14/223
D875,069	S *	2/2020	Peralta	D14/205
D875,714	S *	2/2020	Kim	D14/205
D875,719	S *	2/2020	Wen	D14/223
2017/0151085	A1 *	6/2017	Chang	A61F 5/56
2019/0201245	A1 *	7/2019	Albean	H04R 1/1016
2020/0037058	A1 *	1/2020	Ueda	H04R 1/1016

* cited by examiner

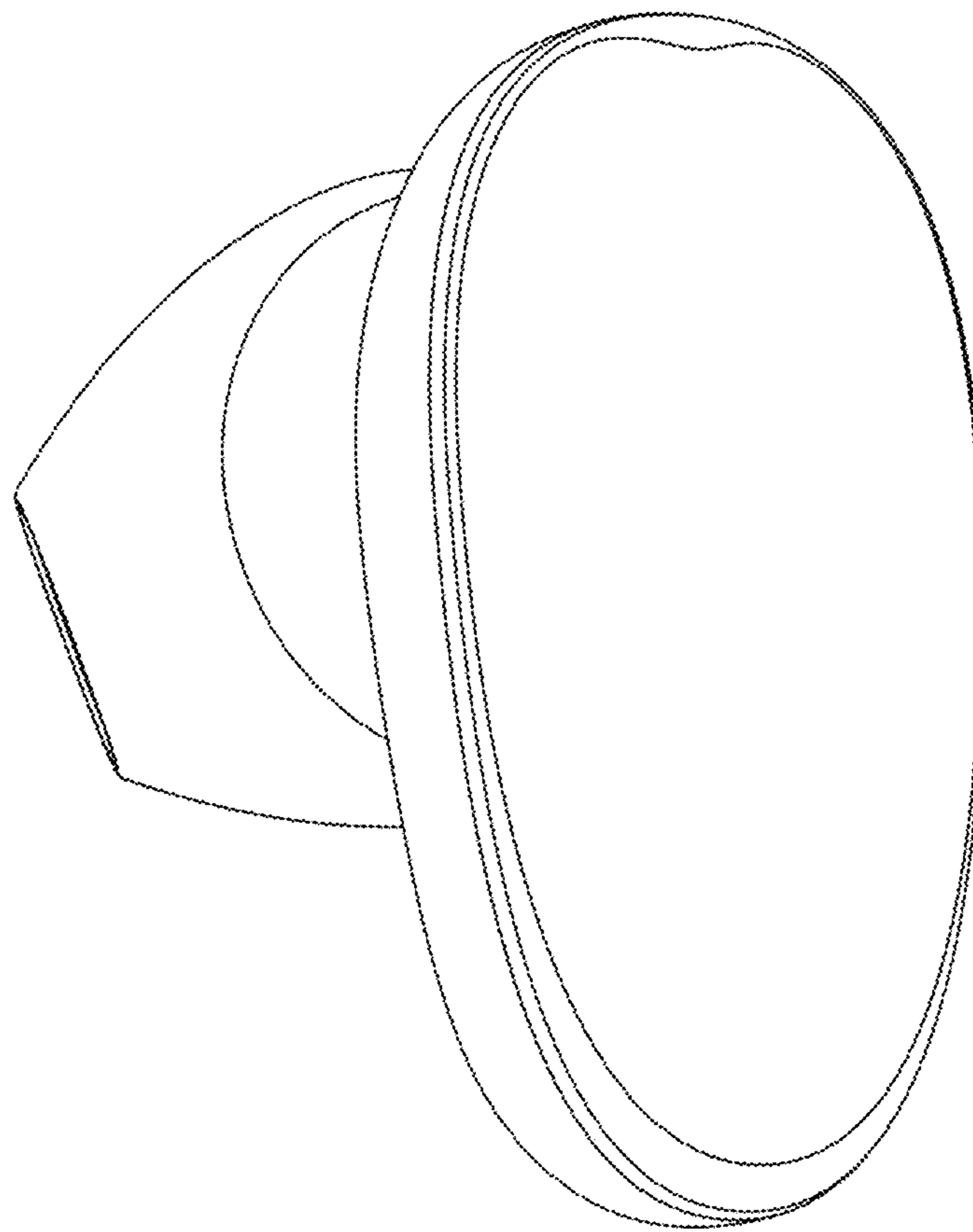


FIG. 1

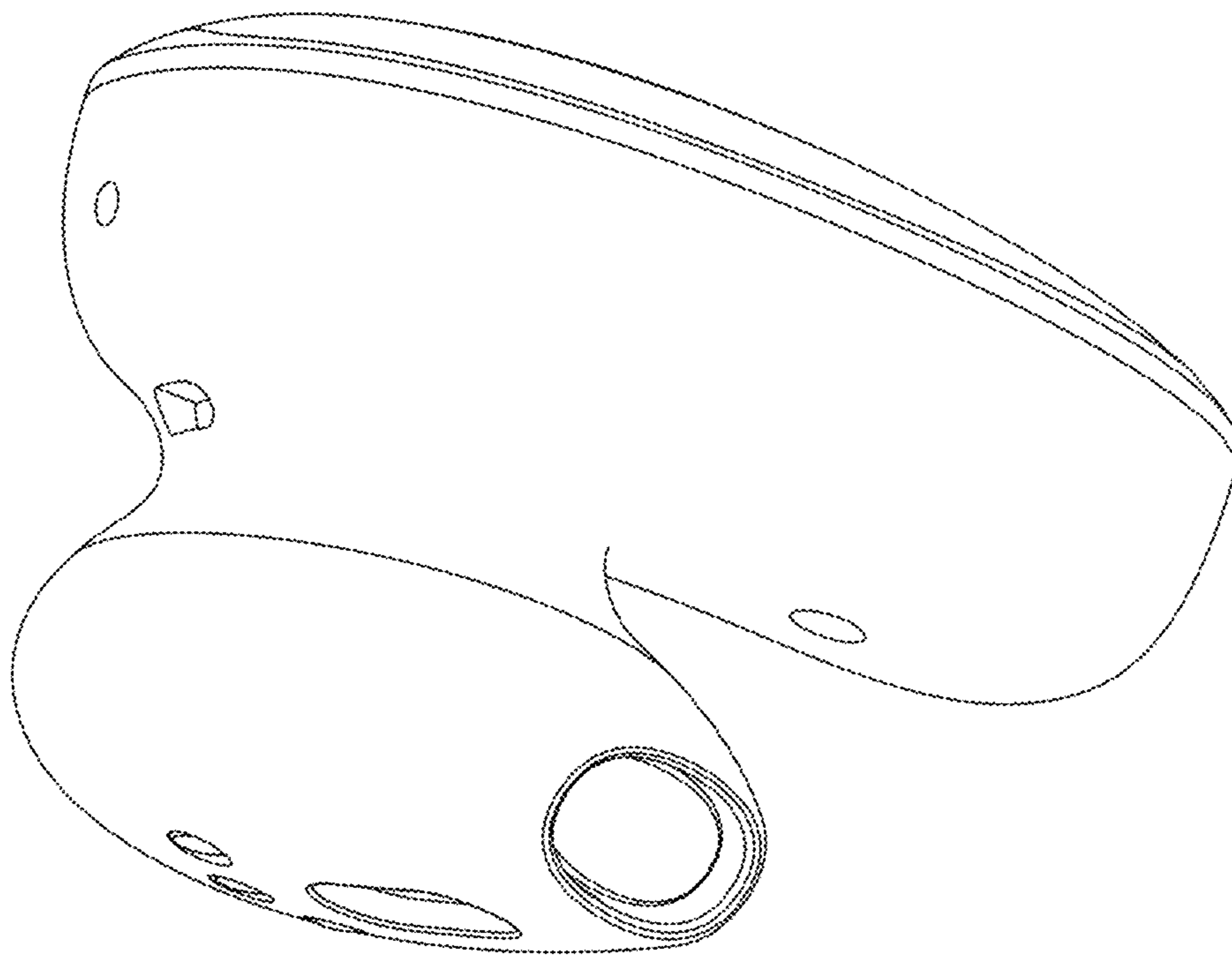


FIG. 2

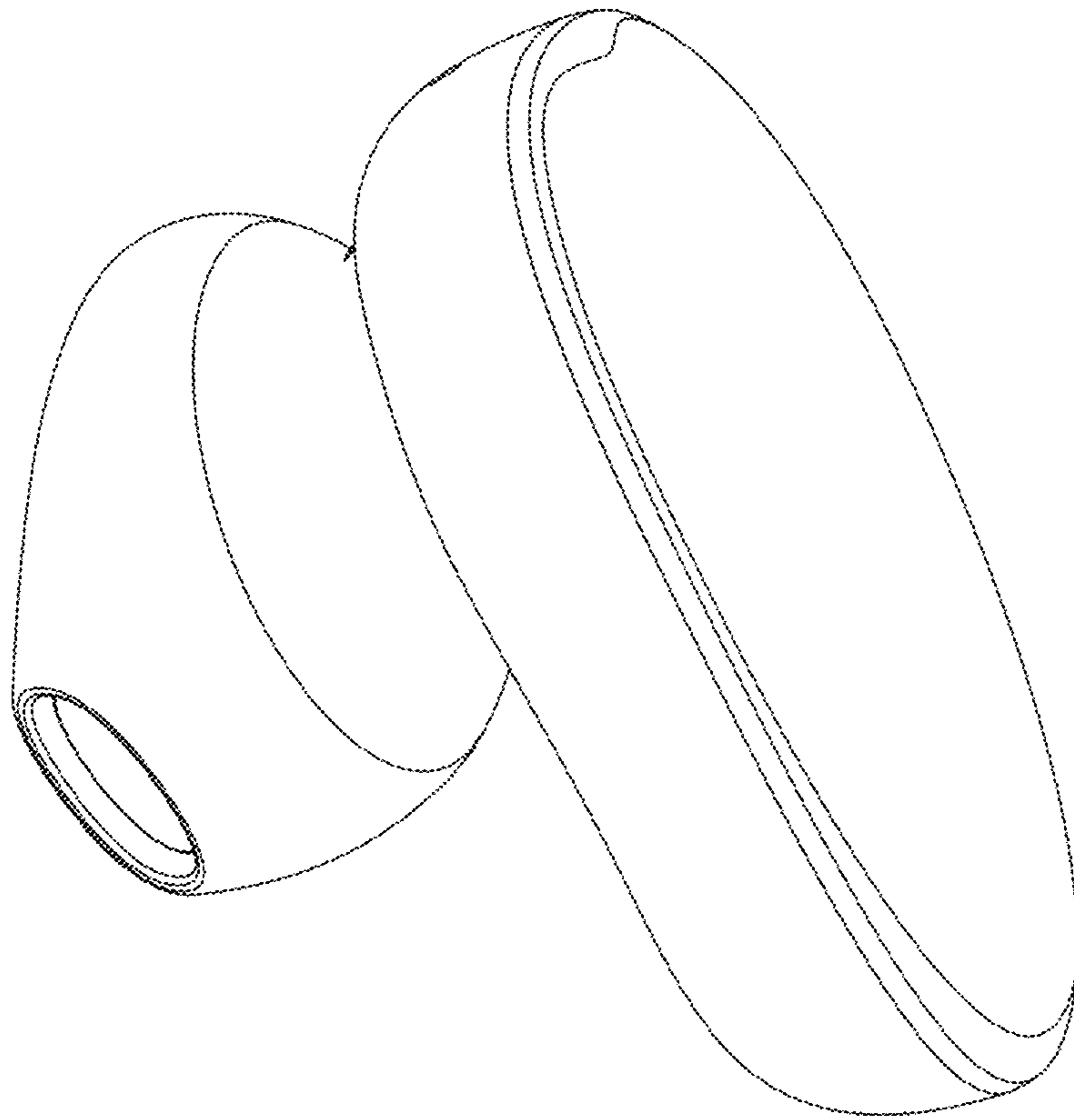


FIG. 3

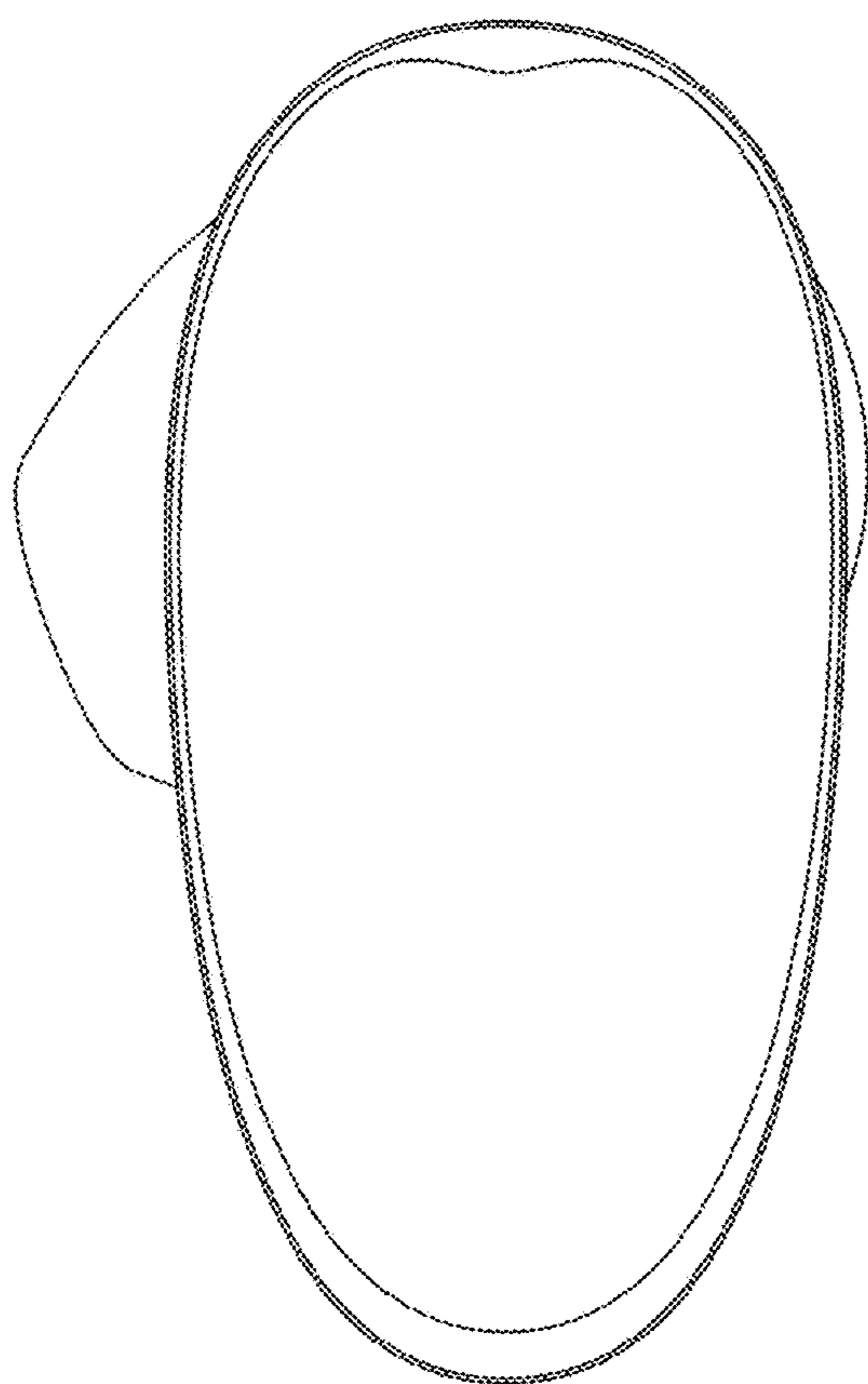


FIG. 4

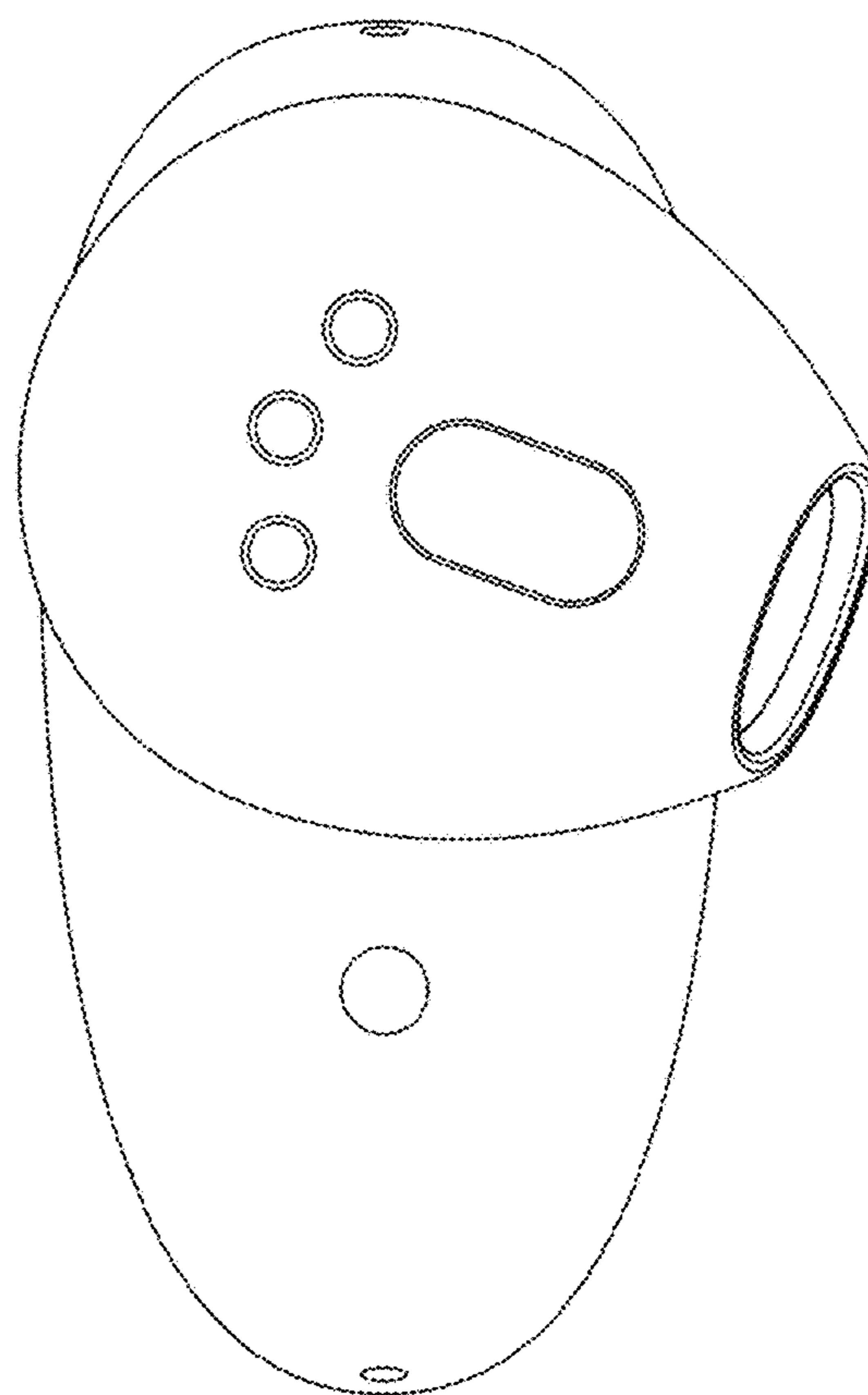


FIG. 5

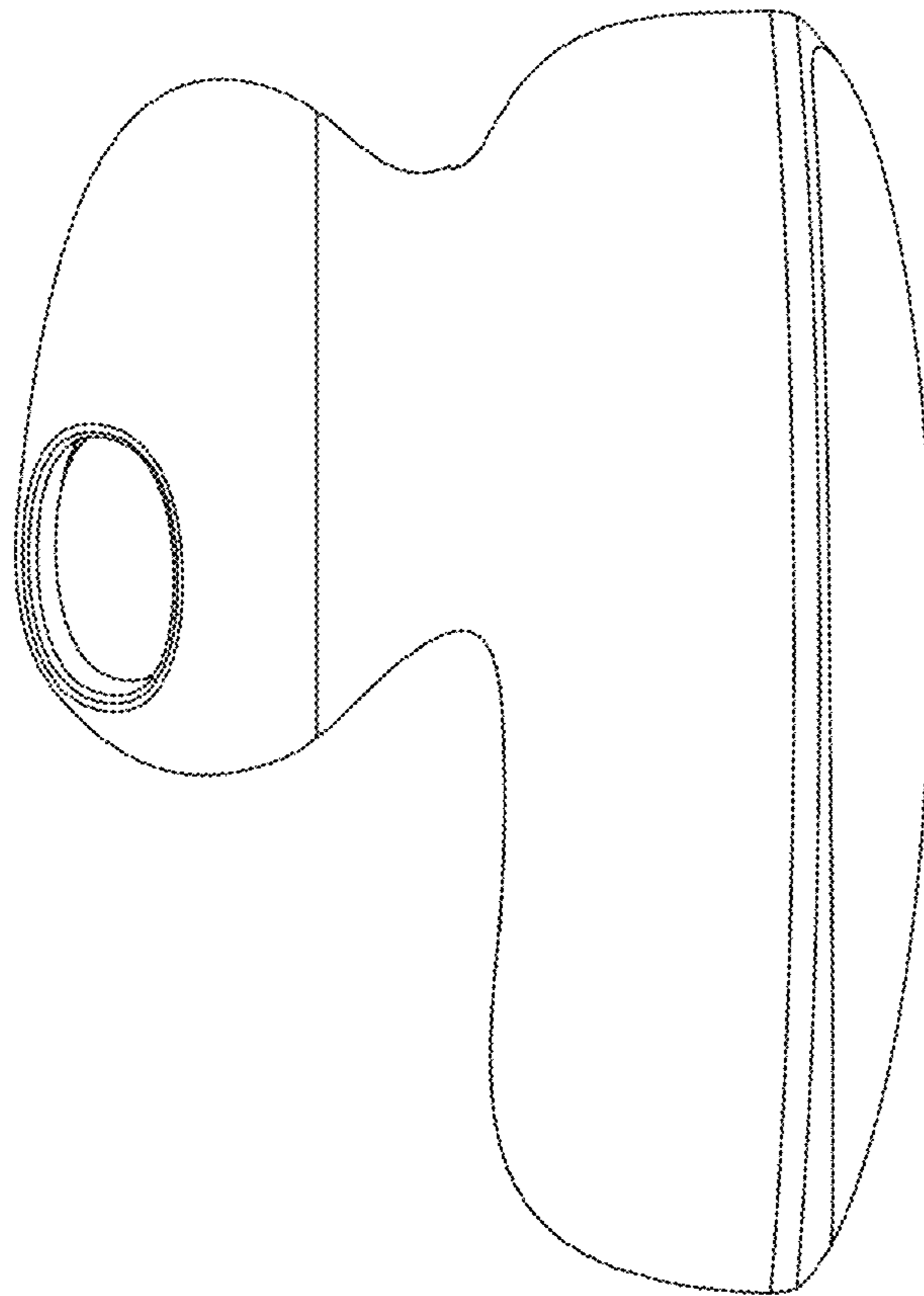


FIG. 6

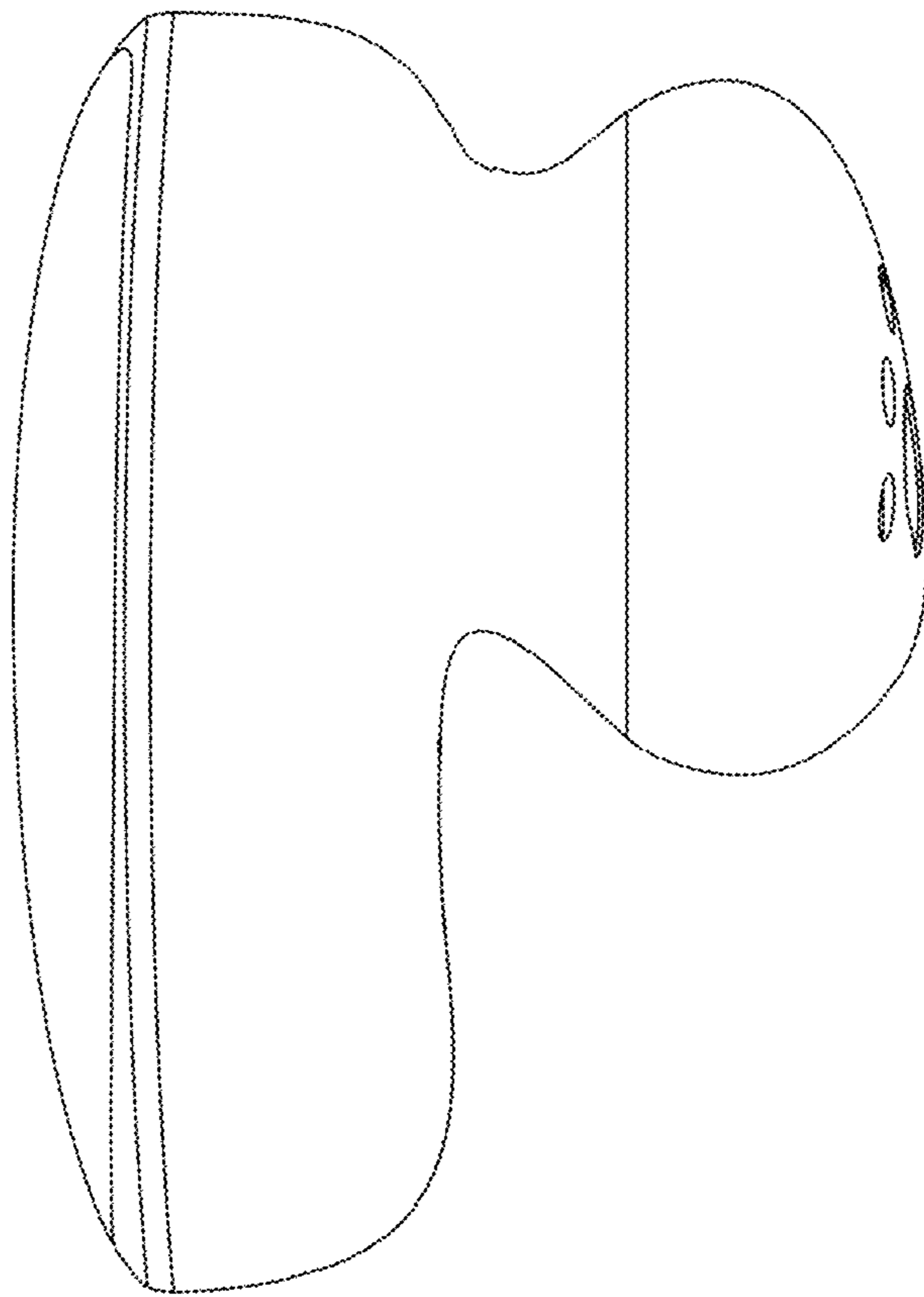


FIG. 7

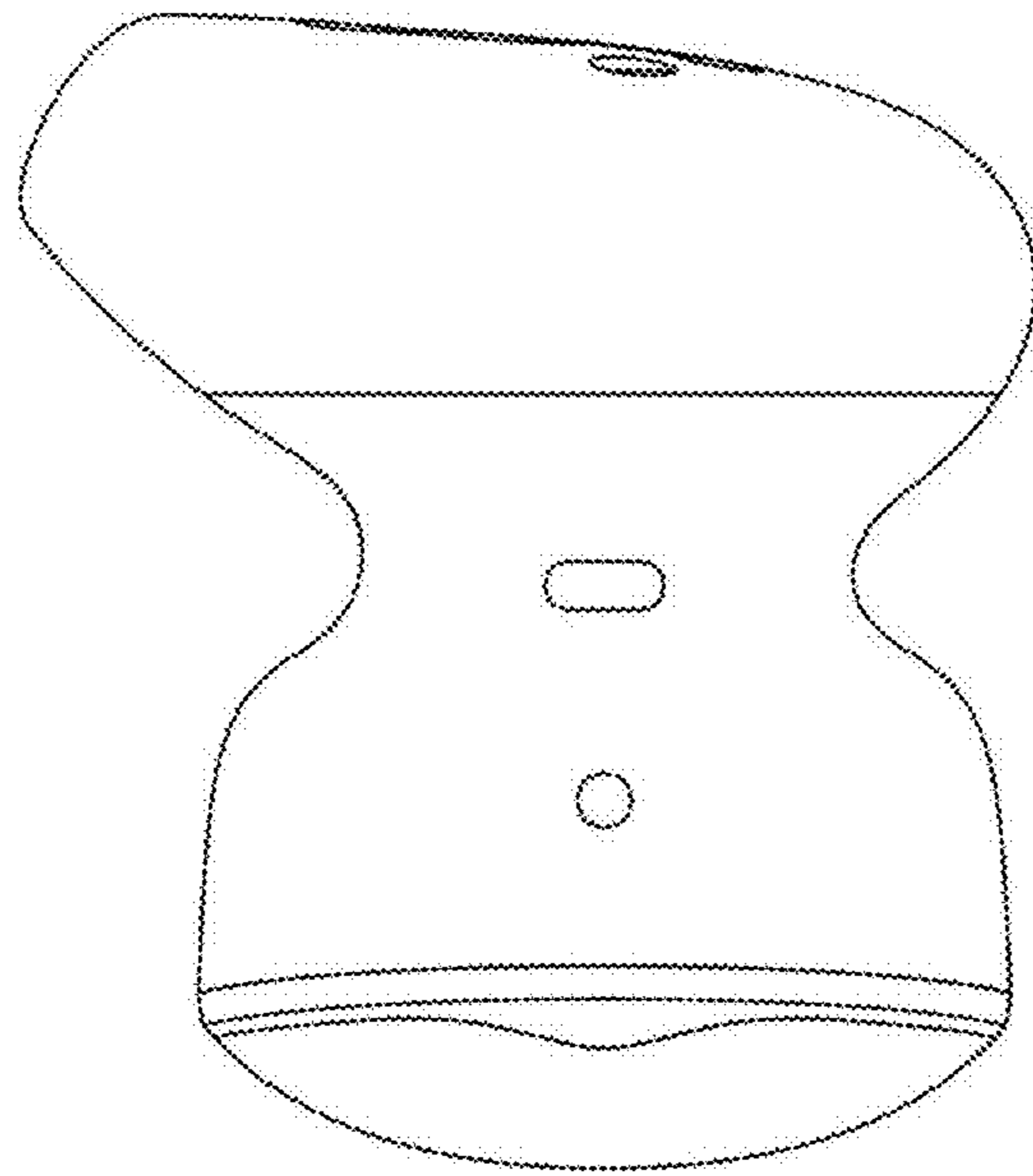


FIG. 8

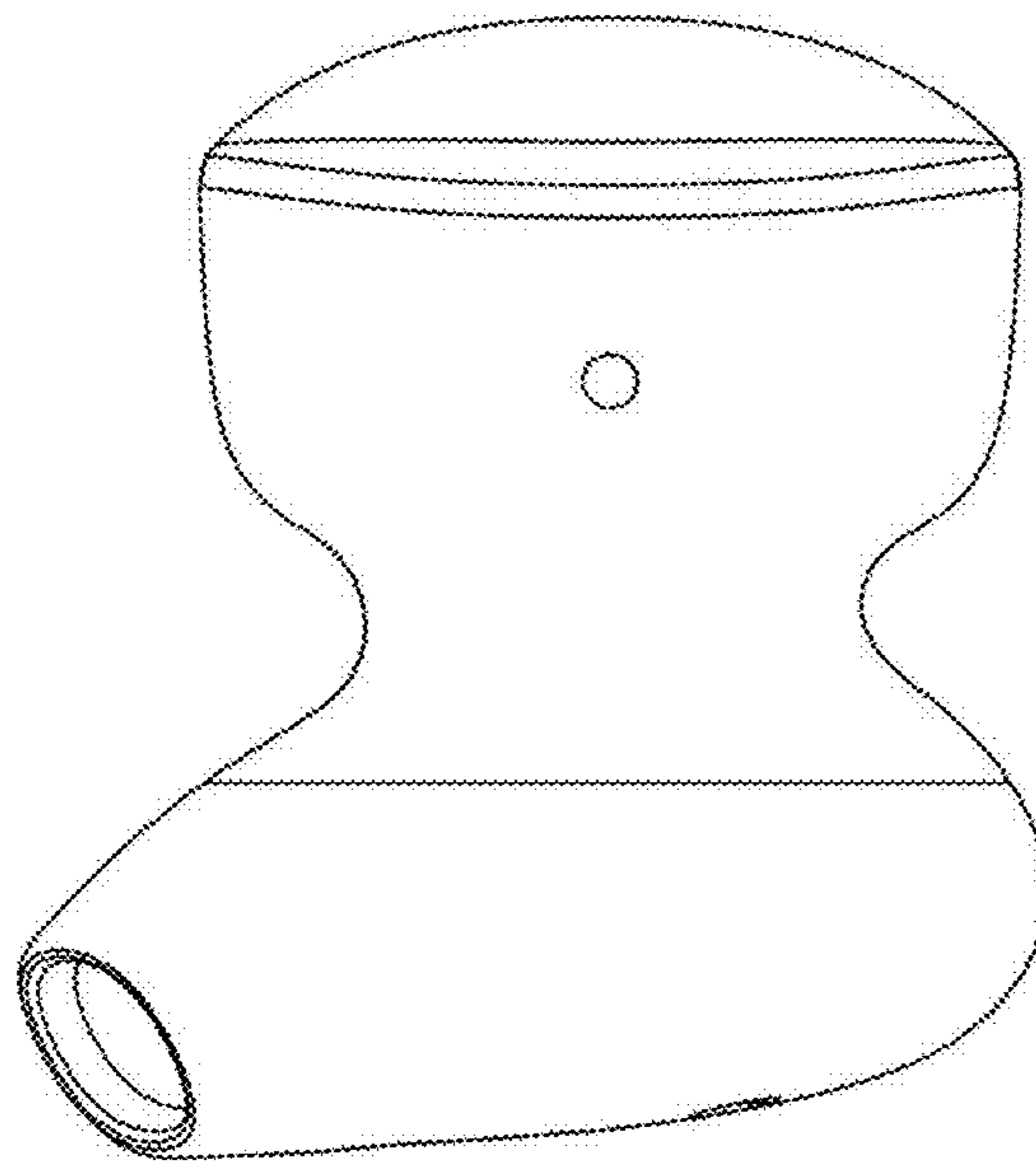


FIG. 9

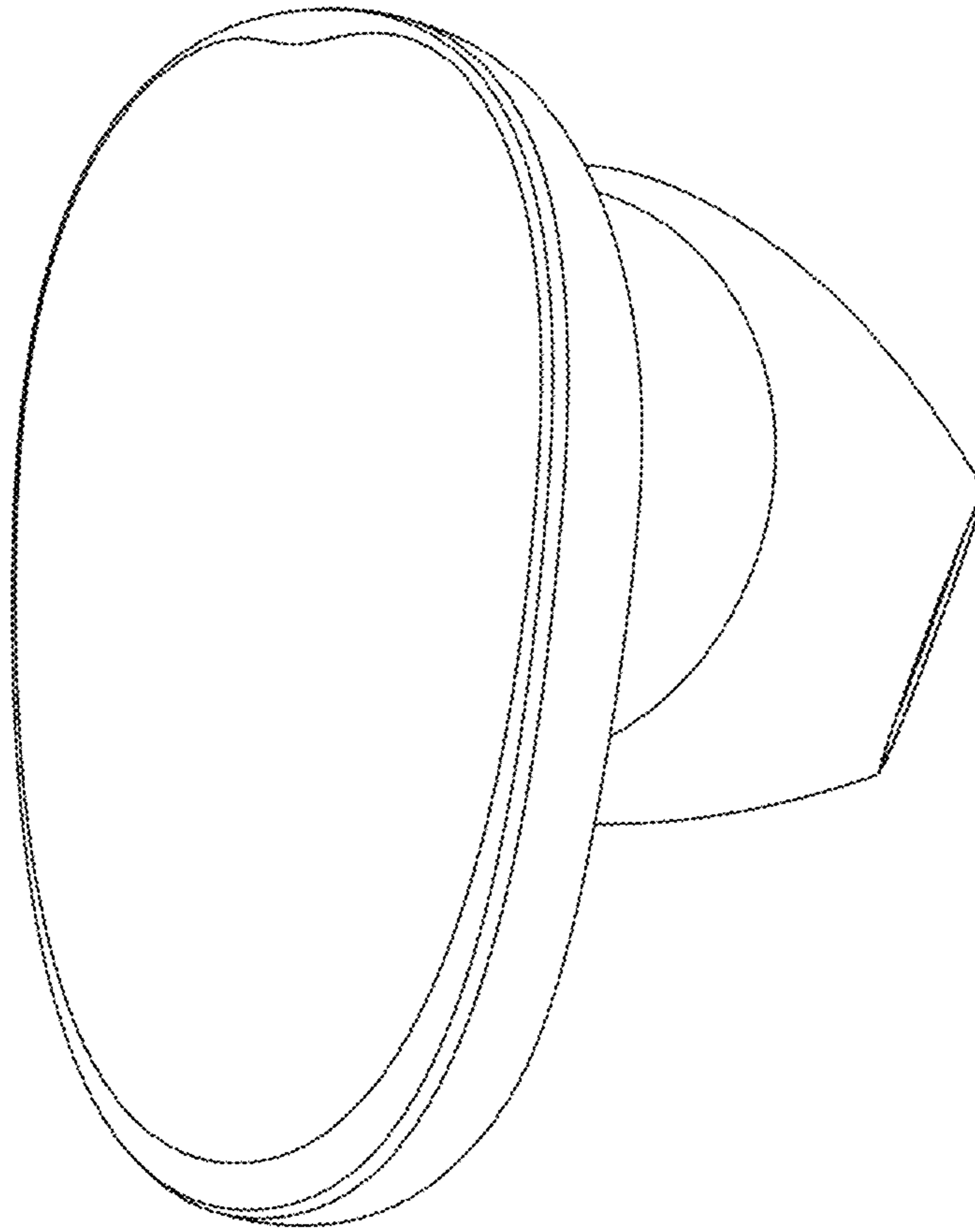


FIG. 10

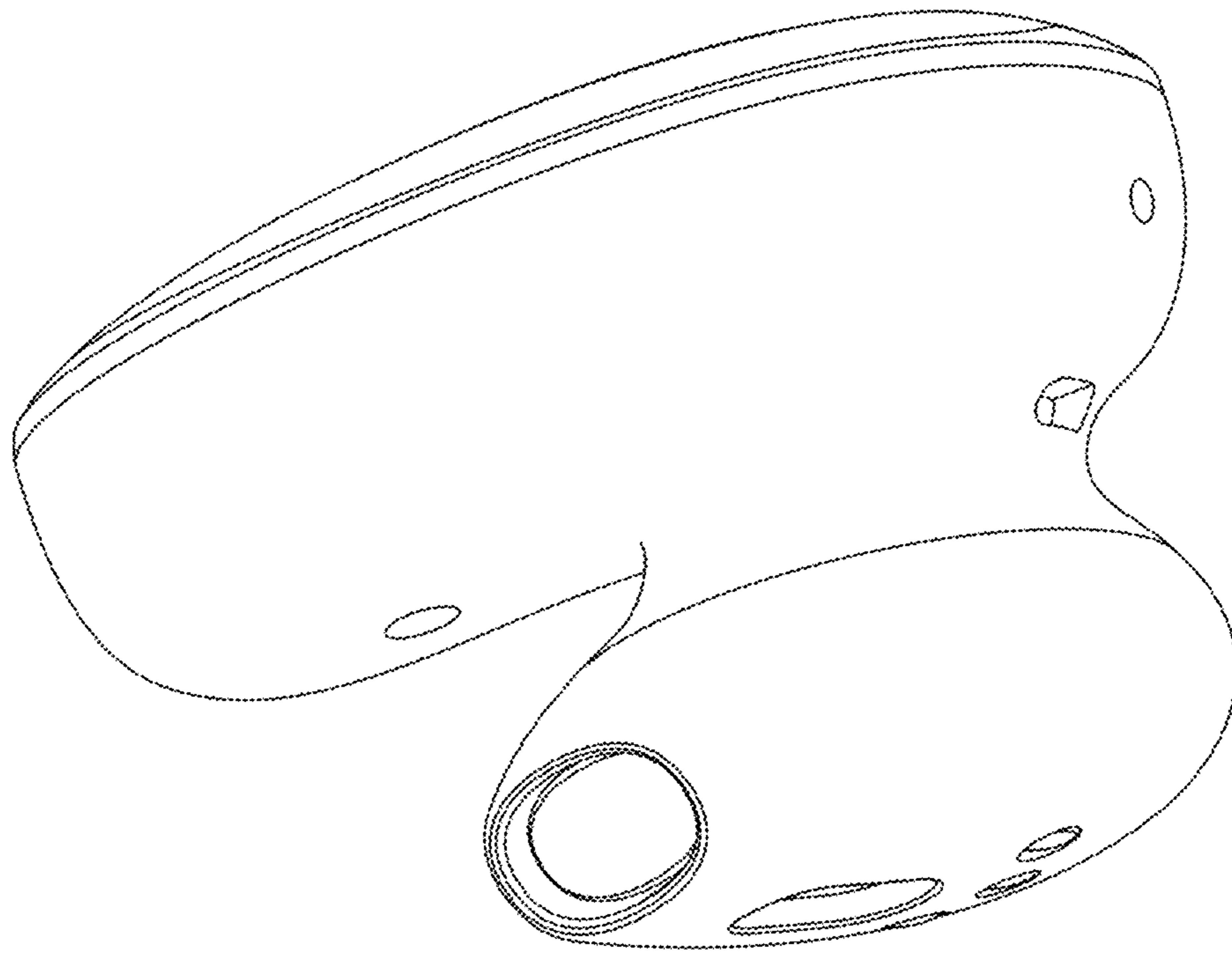


FIG. 11

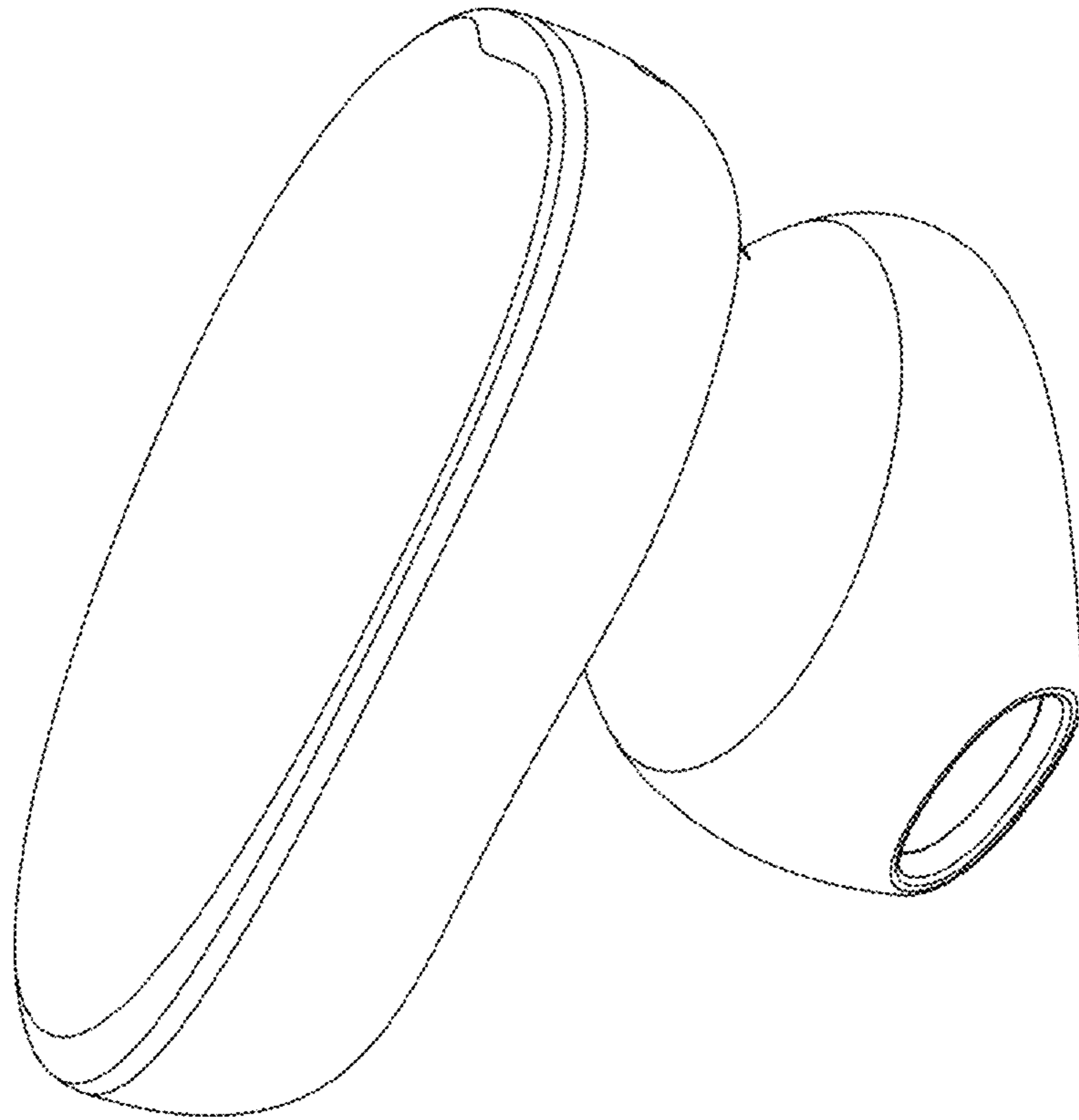


FIG. 12

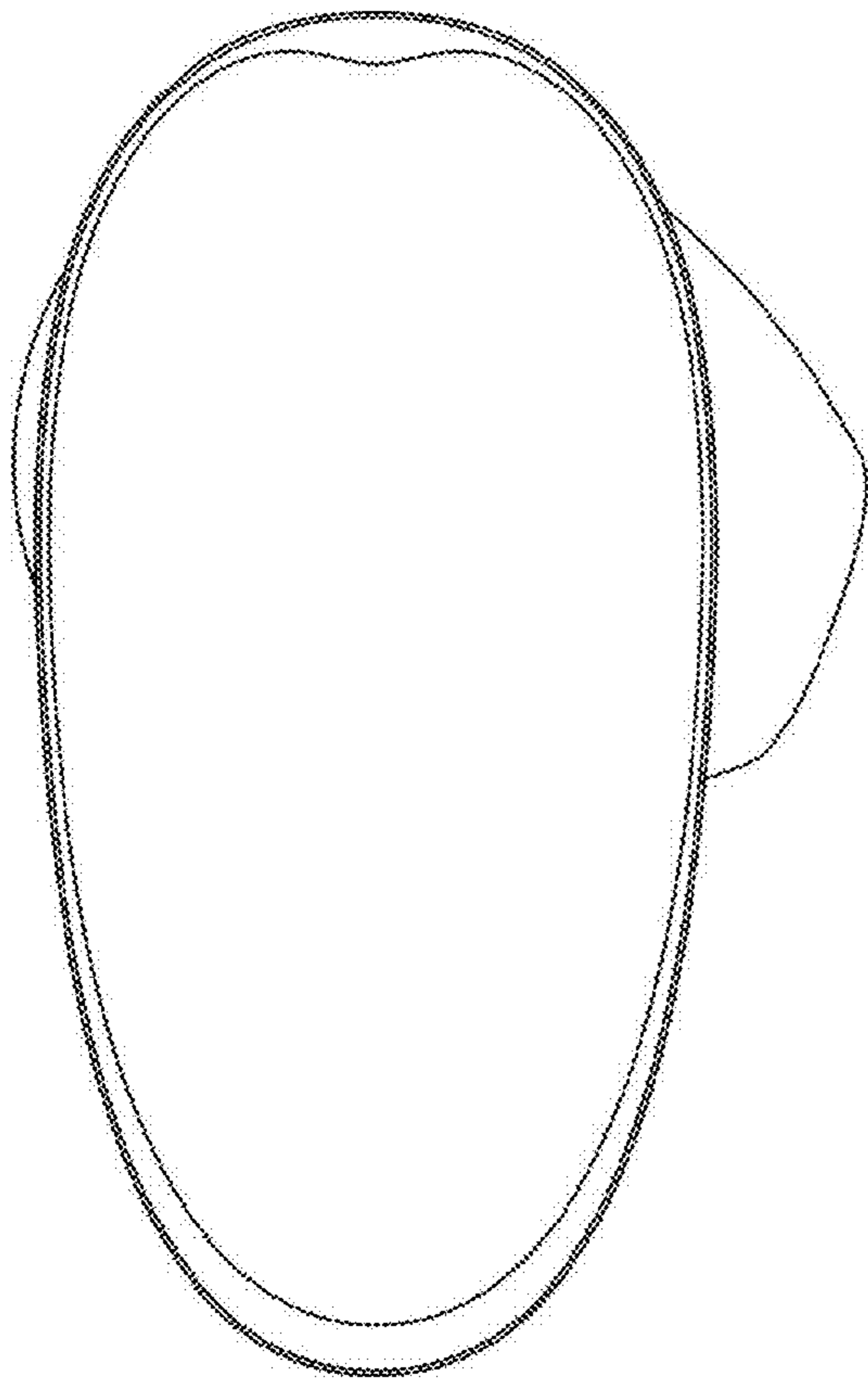


FIG. 13

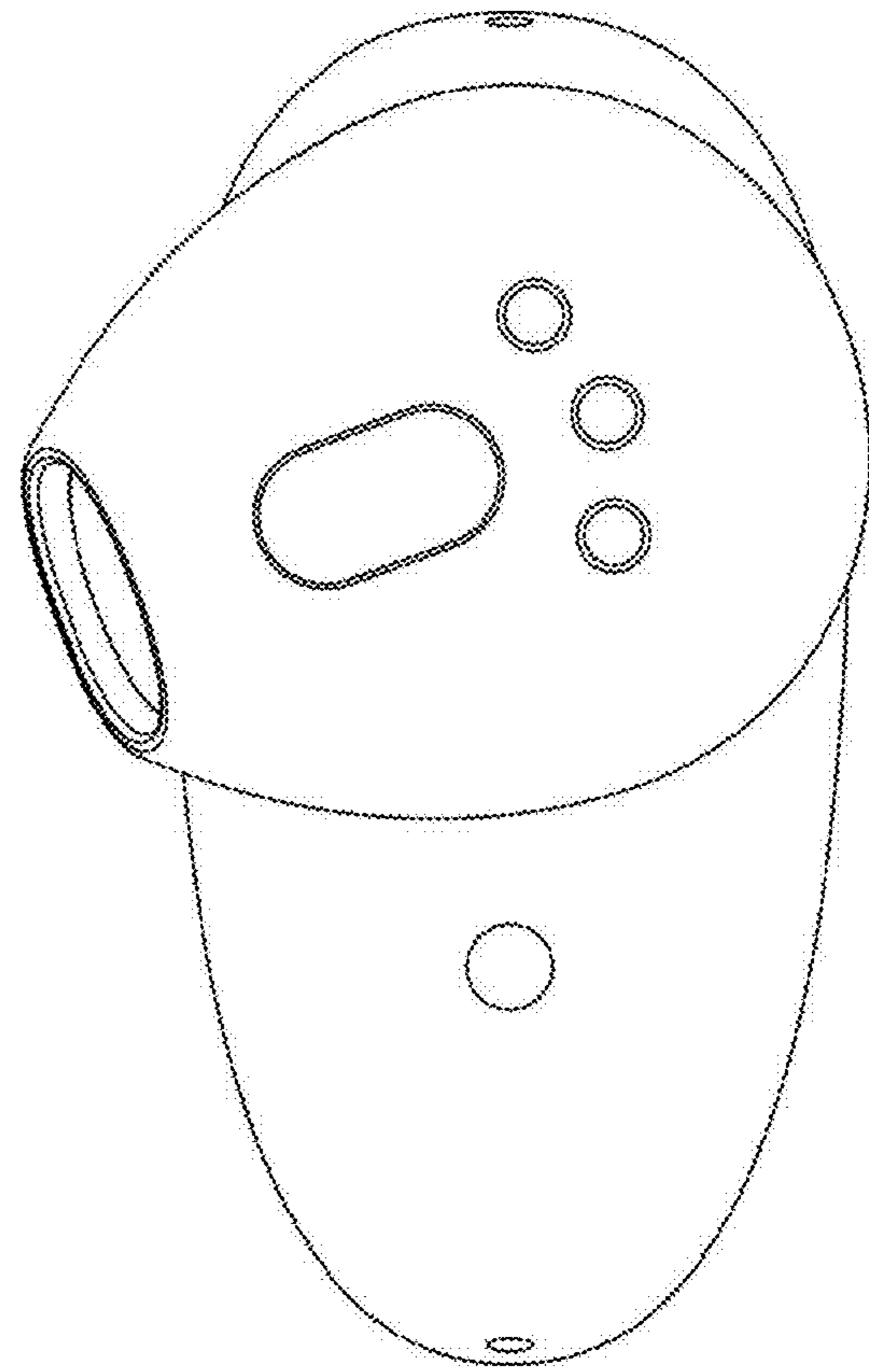


FIG. 14

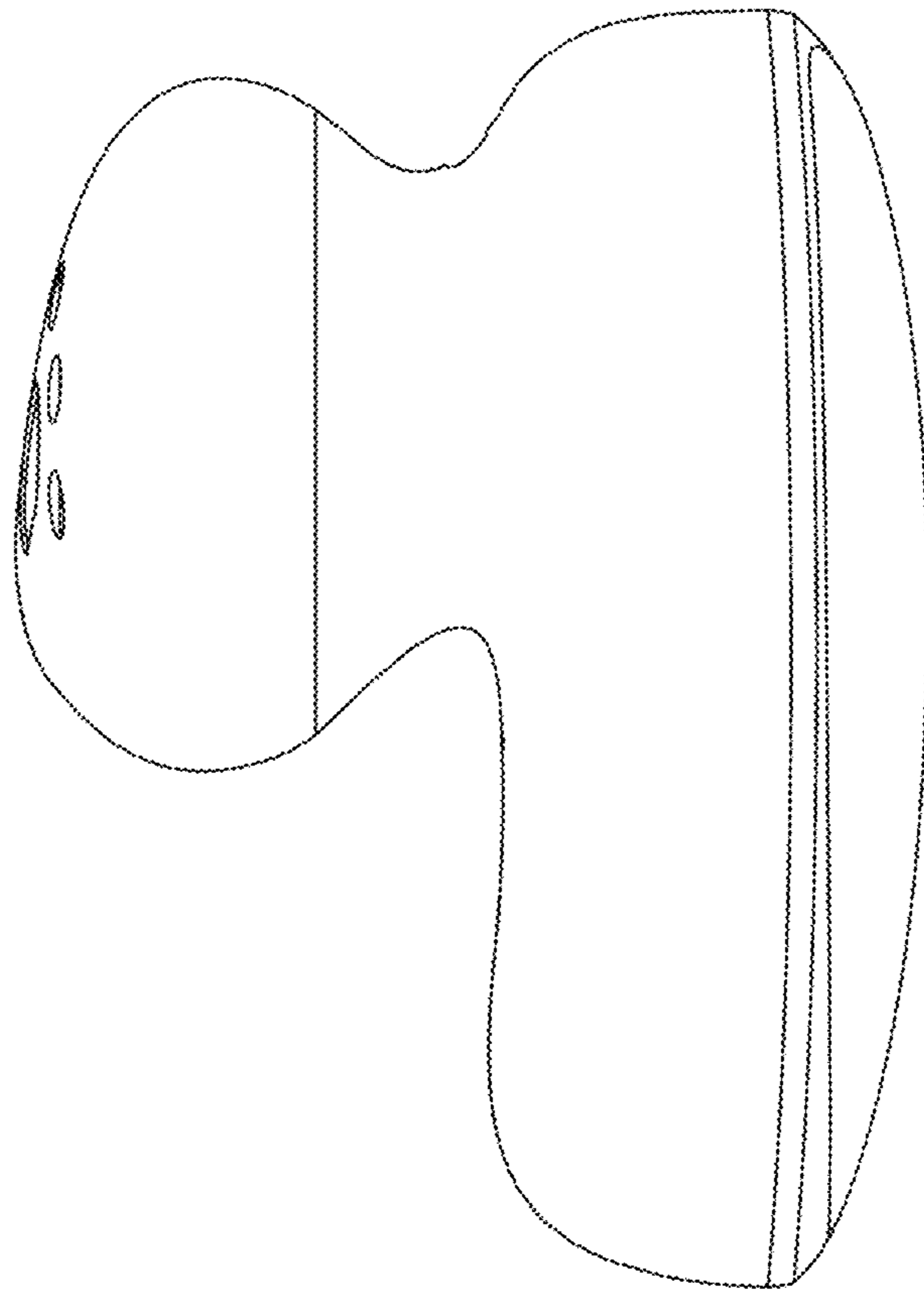


FIG. 15

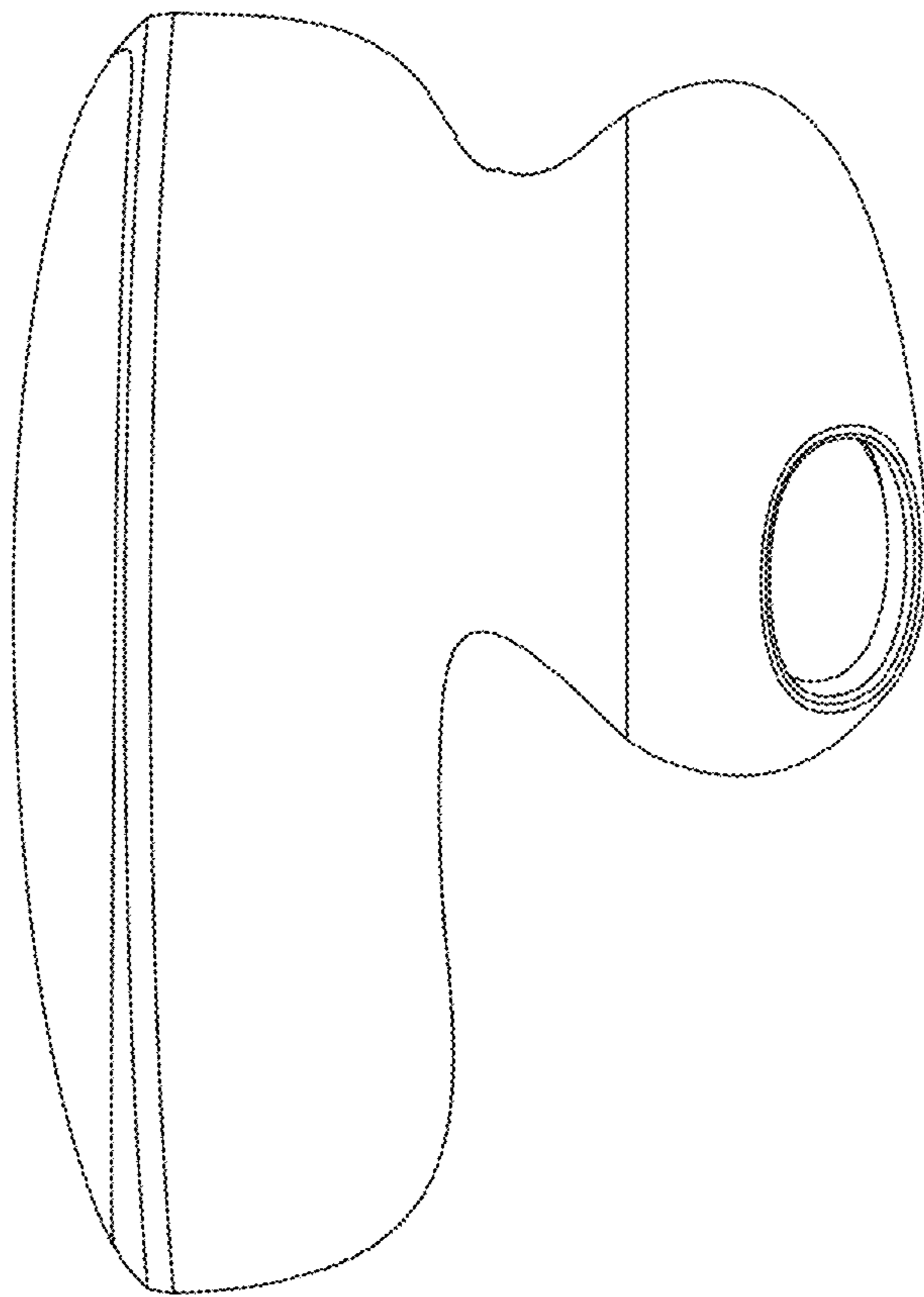


FIG. 16

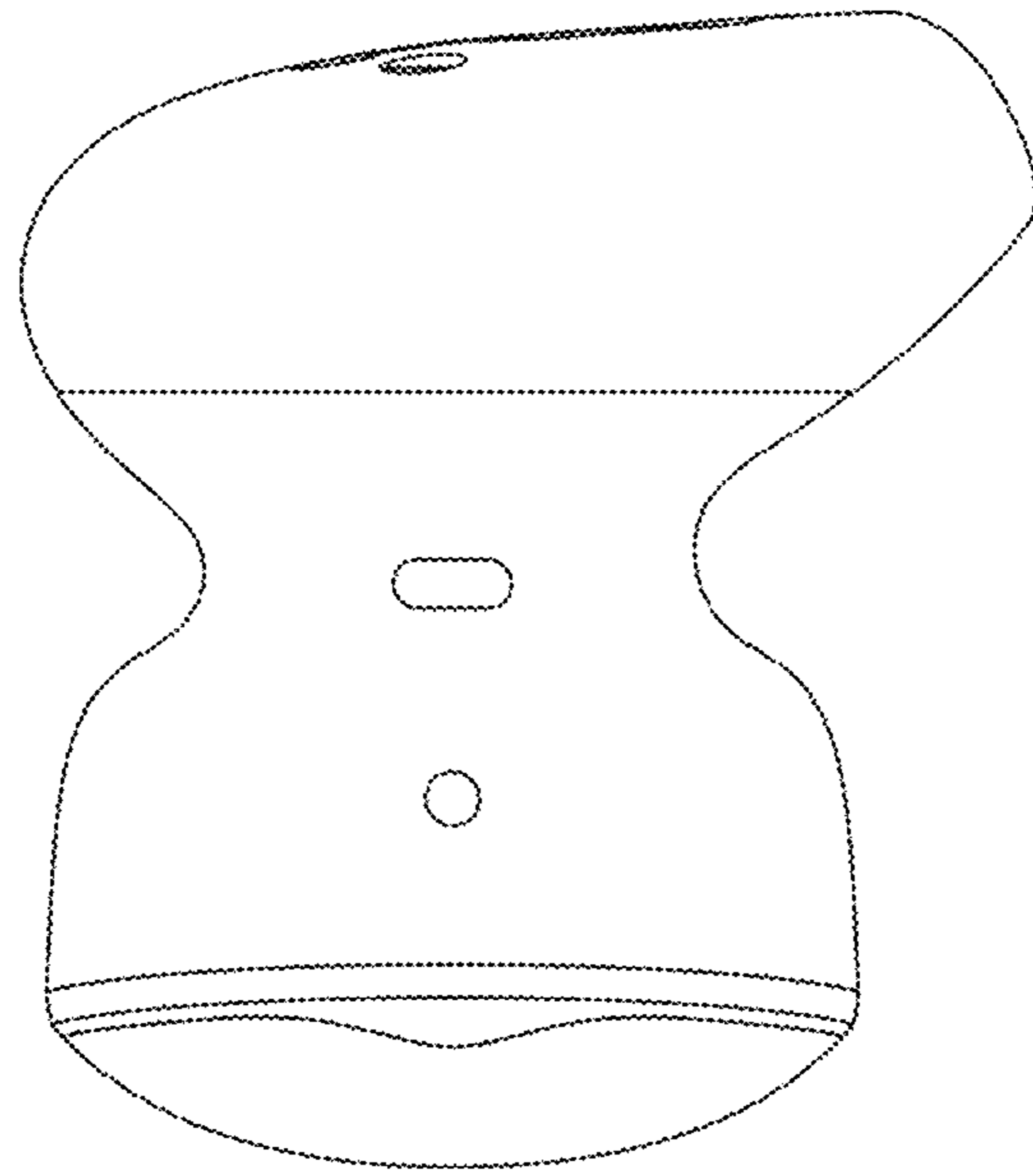


FIG. 17

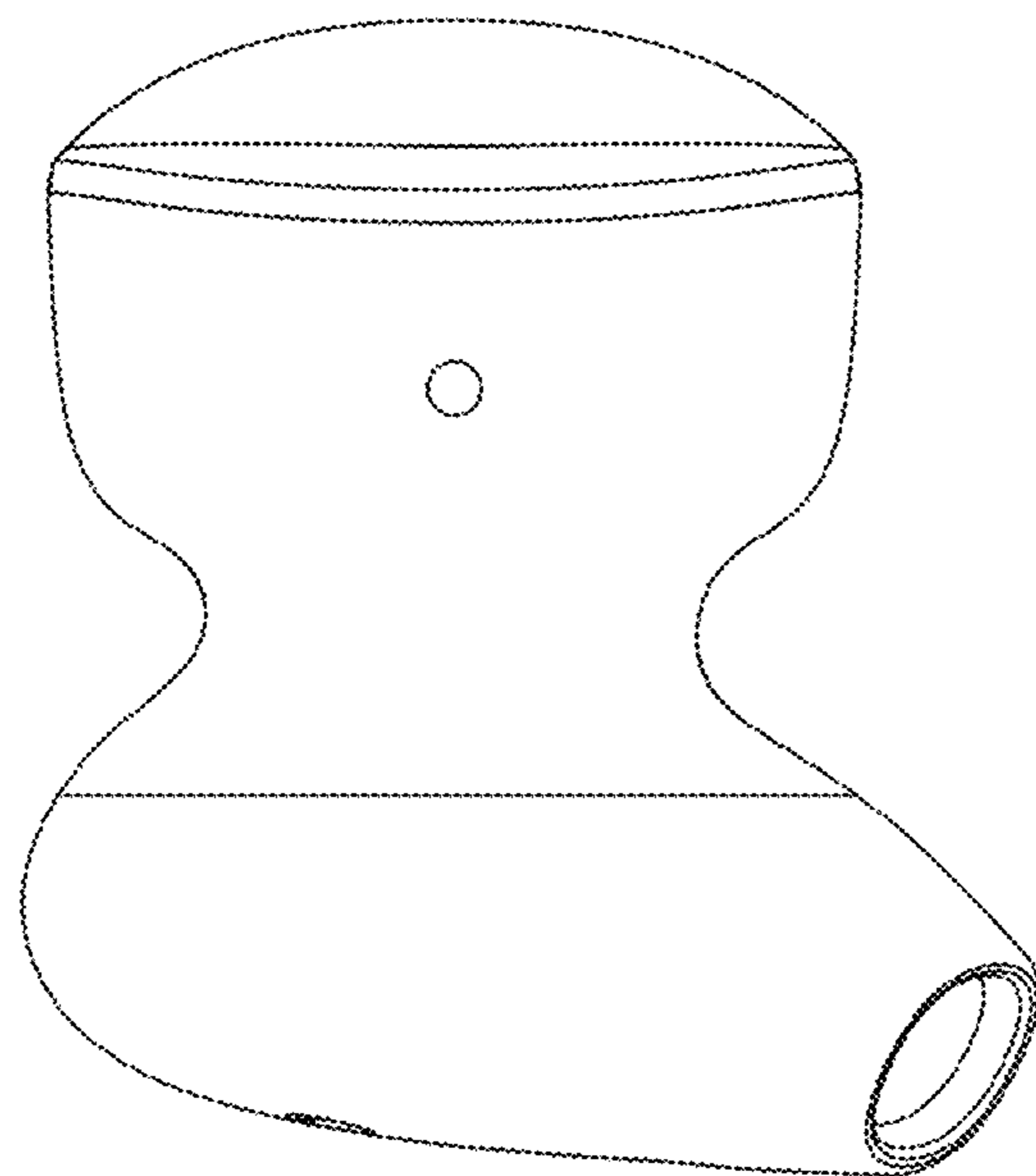


FIG. 18